



US00D932185S

(12) **United States Design Patent**
Yoshikawa

(10) **Patent No.:** **US D932,185 S**

(45) **Date of Patent:** **** Oct. 5, 2021**

(54) **STORAGE BOX**

(71) Applicant: **Kabushiki Kaisha Yoshikawakuni Kogyosho**, Nara-ken (JP)

(72) Inventor: **Toshiyuki Yoshikawa**, Nara-ken (JP)

(73) Assignee: **KABUSHIKI KAISHA YOSHIKAWAKUNI KOGYOSHO**

(**) Term: **15 Years**

(21) Appl. No.: **29/707,789**

(22) Filed: **Oct. 1, 2019**

(30) **Foreign Application Priority Data**

Jun. 3, 2019 (JP) 2019-012099

(51) **LOC (13) Cl.** **03-01**

(52) **U.S. Cl.**
USPC **D3/283; D3/315**

(58) **Field of Classification Search**
USPC D3/273, 276, 283–286, 291, 293,
D3/298–299, 304–315, 319, 321, 901,
(Continued)

(56) **References Cited**

U.S. PATENT DOCUMENTS

2,882,087 A * 4/1959 Socke B65D 71/44
294/87.2

D265,723 S * 8/1982 Rosenthal D3/284
(Continued)

FOREIGN PATENT DOCUMENTS

JP D1230136 * 2/2005
JP D1289062 * 11/2006

OTHER PUBLICATIONS

Cosmetic Caddy, product presented at Ambiente 2020, unknown first available date, ambiente.messefrankfurt.com [online], [site visited Mar. 5, 2021], Available at internet URL: https://ambiente.messefrankfurt.com/frankfurt/en/exhibitor-search.detail.html/like-it-co-ltd/mf_bata_0068673173.html (Year: 2020).*

(Continued)

Primary Examiner — Jeffrey D Asch

Assistant Examiner — Caitlin A Laverty

(74) *Attorney, Agent, or Firm* — Vedder Price P.C.

(57) **CLAIM**

The ornamental design for a storage box, as shown and described.

DESCRIPTION

FIG. 1 is a front view of a storage box;
FIG. 2 is a right side view thereof;
FIG. 3 is a plan view thereof;
FIG. 4 is a bottom view thereof;
FIG. 5 is a sectional view thereof taken along line A-A of FIG. 1;
FIG. 6 is a sectional view thereof taken along line B-B of FIG. 3;
FIG. 7 is a front view of a main body of the storage box;
FIG. 8 is a right side view of the main body thereof;
FIG. 9 is a plan view of the main body thereof;
FIG. 10 is a bottom view of the main body thereof;
FIG. 11 is a sectional view of the main body thereof taken along line C-C of FIG. 7;
FIG. 12 is a sectional view of the main body thereof taken along line D-D of FIG. 9;
FIG. 13 is a front view of a partition of the storage box;
FIG. 14 is a right side view of the partition thereof;
FIG. 15 is a plan view of the partition thereof;
FIG. 16 is a bottom view of the partition thereof;
FIG. 17 is a perspective view of the partition thereof;
FIG. 18 is a plan view showing a state when the body is combined with the partition thereof;
FIG. 19 is a front view of a lid of the storage box;
FIG. 20 is a right side view of the lid thereof;
FIG. 21 is a plan view of the lid thereof;
FIG. 22 is a bottom view of the lid thereof;
FIG. 23 is a sectional view of the lid thereof taken along line E-E of FIG. 19;
FIG. 24 is a sectional view of the lid thereof taken along line F-F of FIG. 21;

(Continued)

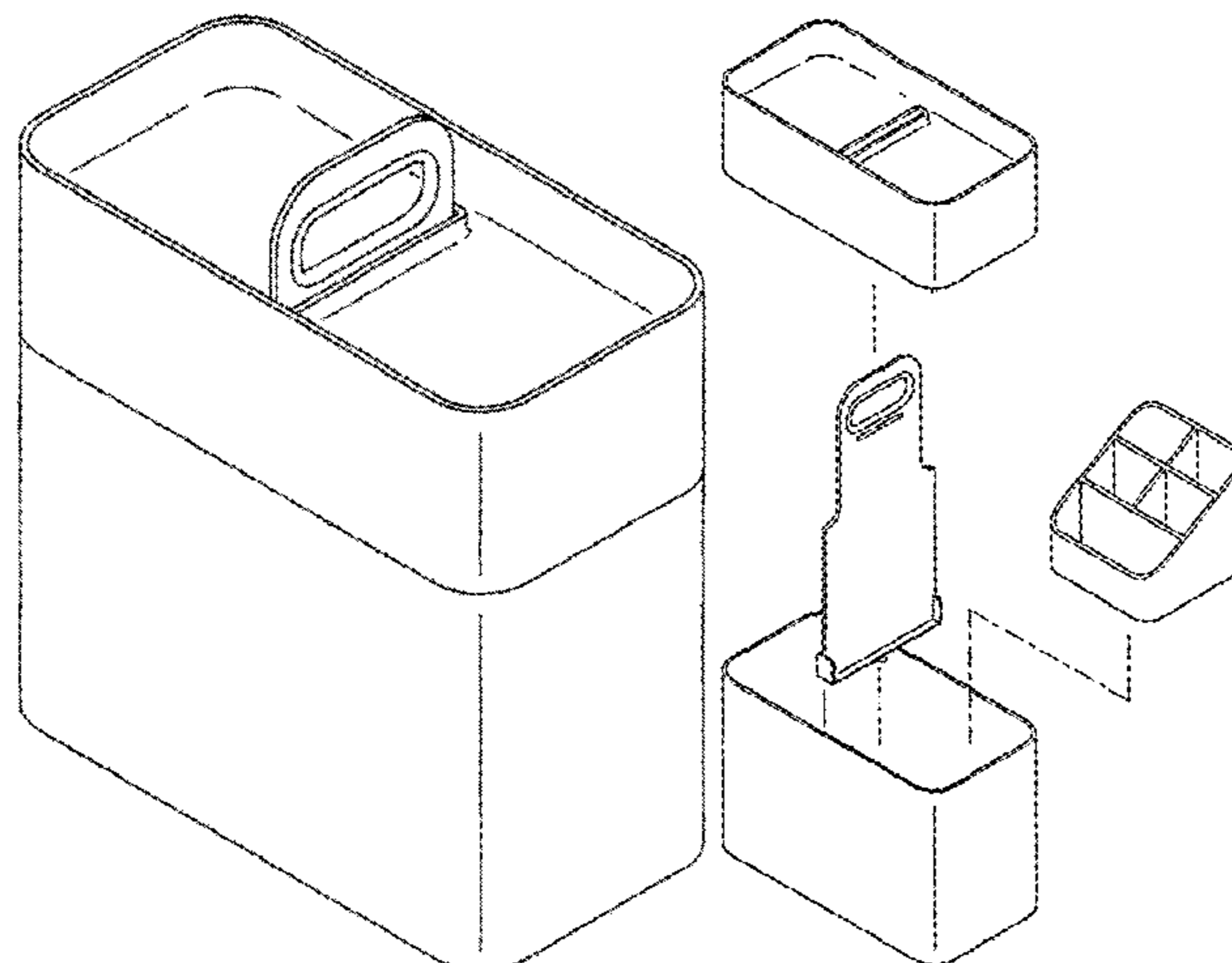


FIG. 25 is a front view of an organizing case of the storage box;
 FIG. 26 is a rear view of the organizing case thereof;
 FIG. 27 is a right side view of the organizing case thereof;
 FIG. 28 is a plan view of the organizing case thereof;
 FIG. 29 is a bottom view of the organizing case thereof;
 FIG. 30 is a sectional view of the organizing case thereof taken along line G-G of FIG. 25,
 FIG. 31 is a perspective view of the organizing case thereof;
 FIG. 32 is a perspective view of the storage box; and,
 FIG. 33 is a perspective view thereof showing the exploded storage box.

The present invention is a storage box to store articles such as cosmetics. The claim is directed to the complete storage box, made up of the entire set of components shown, including a main body, a partition, a lid, and an organizing case.

As shown in FIG. 33, the storage box is composed of a main body, a partition which is inserted at right angles to the main body, a lid which closes the upper end of the main body and an organizing case which is housed inside the main body. For clarity, components are shown separately in an exploded diagram to show the appearance of each component. The dot-dash broken lines are included for the purpose of illustrating the path of components in an exploded diagram, and forms no part of the claimed design.

1 Claim, 33 Drawing Sheets

(58) **Field of Classification Search**

USPC D3/903; D6/512, 524, 553; D19/75, 81, D19/83-86, 90-92, 95
 CPC .. B25H 3/003; B25H 3/06; A45C 5/00; A45C 11/00; A45C 11/34; A45C 11/36; A45C 13/02; A45F 7/00; A45F 2200/05; A45F 2200/0575; A47G 21/00; A47G 21/14; B65D 1/00; B65D 1/22; B65D 1/24; B65D 1/34; B65D 1/36; B65D 11/00; B65D 21/00; B65D 25/00; B65D 25/04; B65D 25/06; B65D 85/00

See application file for complete search history.

(56)

References Cited

U.S. PATENT DOCUMENTS

D290,785	S *	7/1987	Kelly	224/603
D309,519	S *	7/1990	Remler	D3/282
5,040,681	A *	8/1991	Grusin	B25H 3/06 206/503
D331,480	S *	12/1992	Aaserud	D3/276
D353,047	S *	12/1994	Lackie	D3/273
D355,763	S *	2/1995	Sun	D3/276
D367,948	S *	3/1996	Hsu	D19/77
D381,562	S *	7/1997	Westcott	D3/309
5,697,707	A *	12/1997	Esposito	B65D 31/12 206/217
D471,359	S *	3/2003	Yang	D3/276
D484,011	S *	12/2003	Strobel	D3/309
D498,051	S *	11/2004	Badaan	D3/276
D515,810	S *	2/2006	Terwelp	D3/276
D585,494	S *	1/2009	Yoshikawa	D19/78
D585,495	S *	1/2009	Yoshikawa	D19/78
D649,786	S *	12/2011	Lipfert	D3/308
D690,109	S *	9/2013	Shupp	D3/309
D714,059	S *	9/2014	Blackwell	D3/304
D780,265	S *	2/2017	Greenspon	D19/90
D783,287	S *	4/2017	Swartzel	D3/305
D805,402	S *	12/2017	Gamble	D9/755
D838,482	S *	1/2019	Pistauer	D3/304
D846,281	S *	4/2019	Greenwood	D3/313
D887,712	S *	6/2020	Stevens	D3/313
2011/0068034	A1 *	3/2011	Hwang	B65D 11/10 206/515
2018/0183250	A1 *	6/2018	Byrne	H01R 25/006

OTHER PUBLICATIONS

Madesmart Caddy with Tray—Stack Collection., first available Mar. 20, 2020, amazon.com [online], [site visited Mar. 5, 2021], Available at internet URL: https://www.amazon.com/madesmart-79206-Medium-Caddy-Tray/dp/B07G9TJ2L2/ref=asc_df_B07G9TJ2L2/?tag=hyprod-20&linkCode=df0&hvadid=289076822814&hvpos=&hvnetw=g&hvrnd=15042294842939296560&hvpone=&hvptwo=&hvqmt=&hvdev=c&hvdvcmld=&hvlocint=&hvlocphy=9008156&hvtargid=pla-532689601422&pssc=1 (Year: 2020).*

* cited by examiner

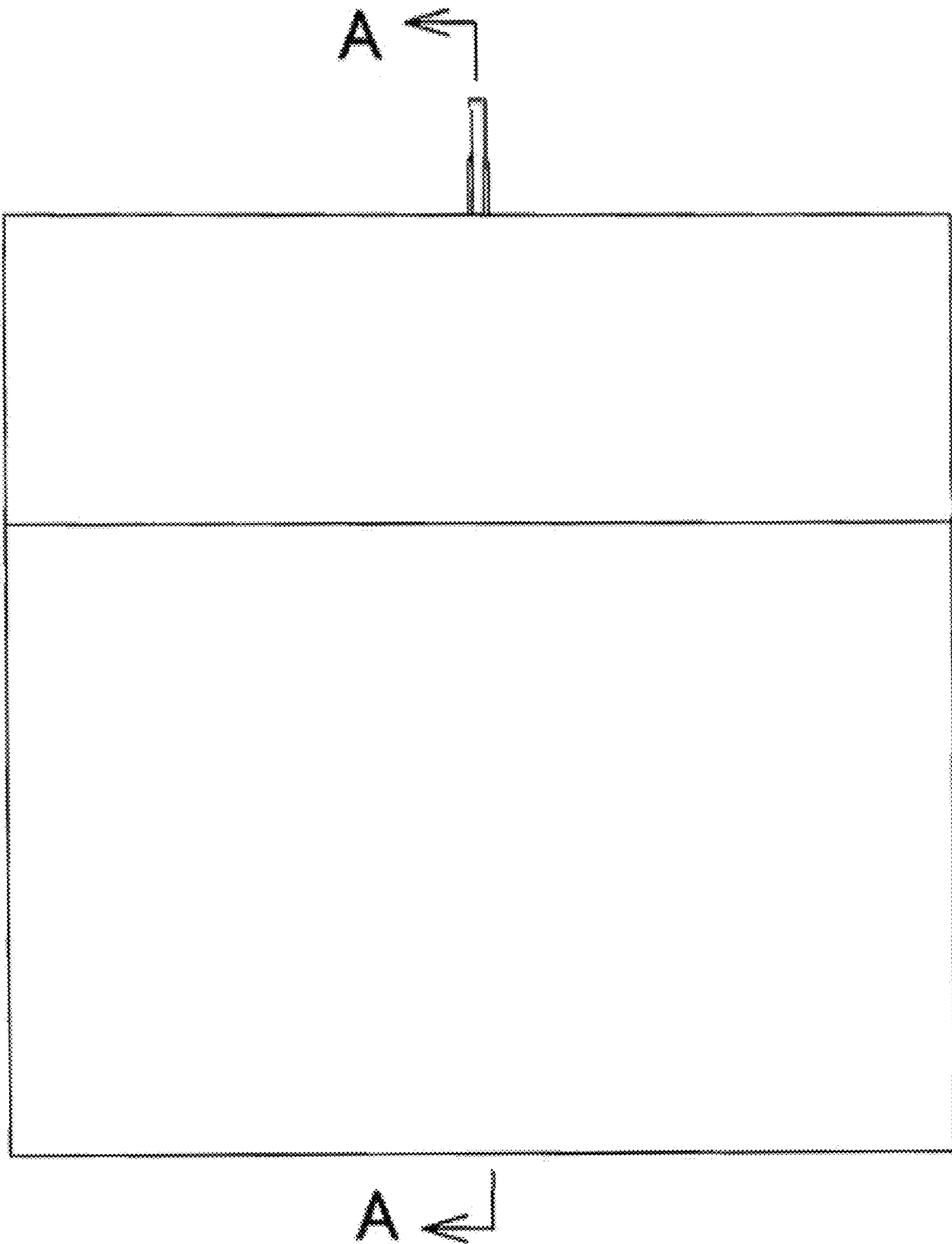


FIG. 1

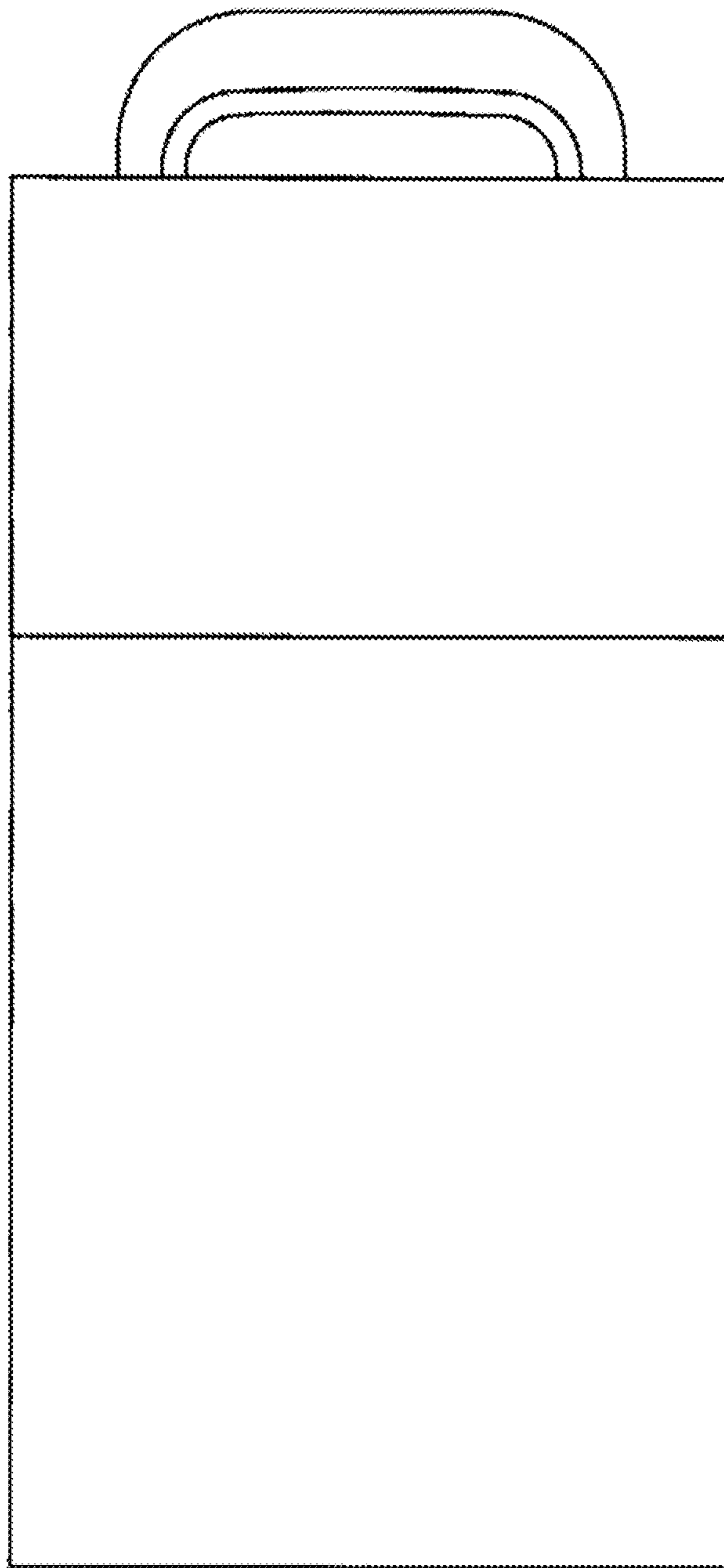


FIG. 2

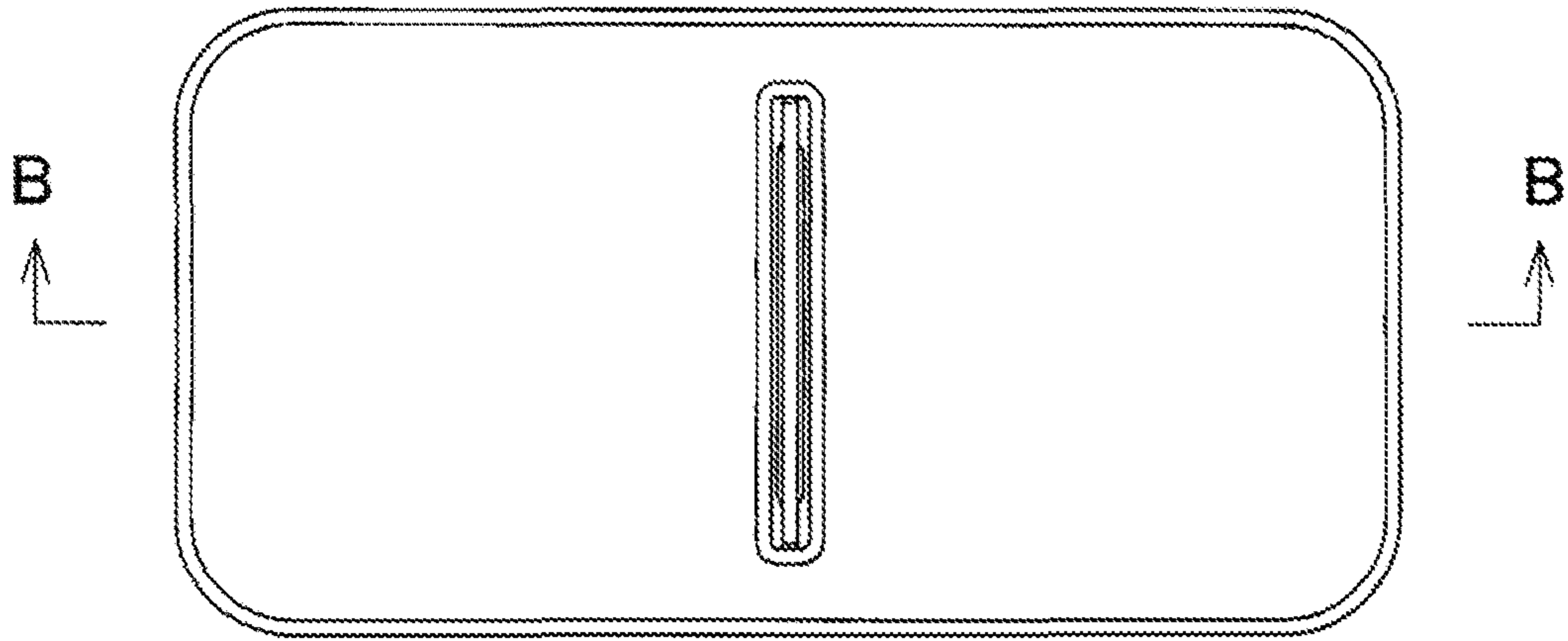


FIG. 3

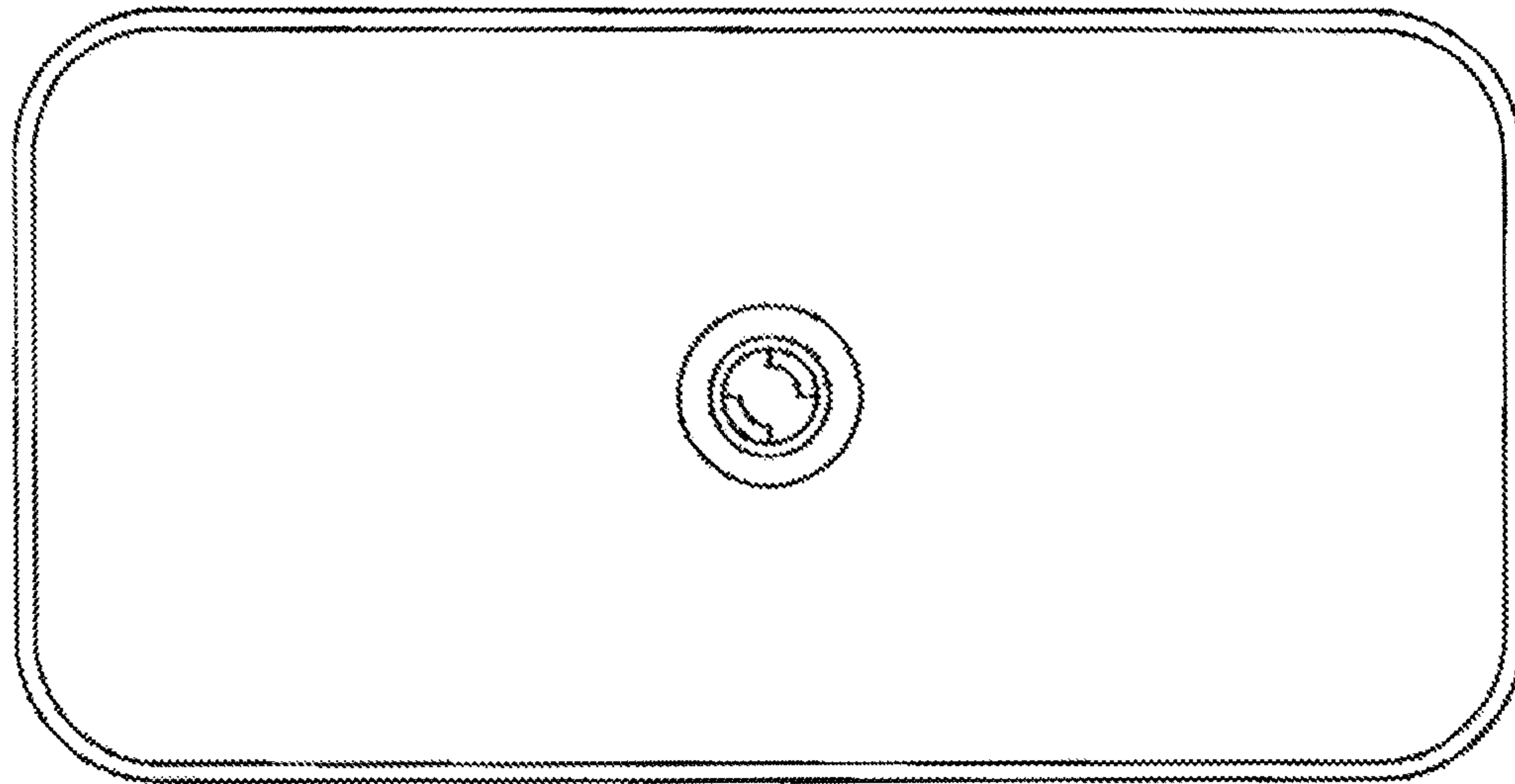


FIG. 4

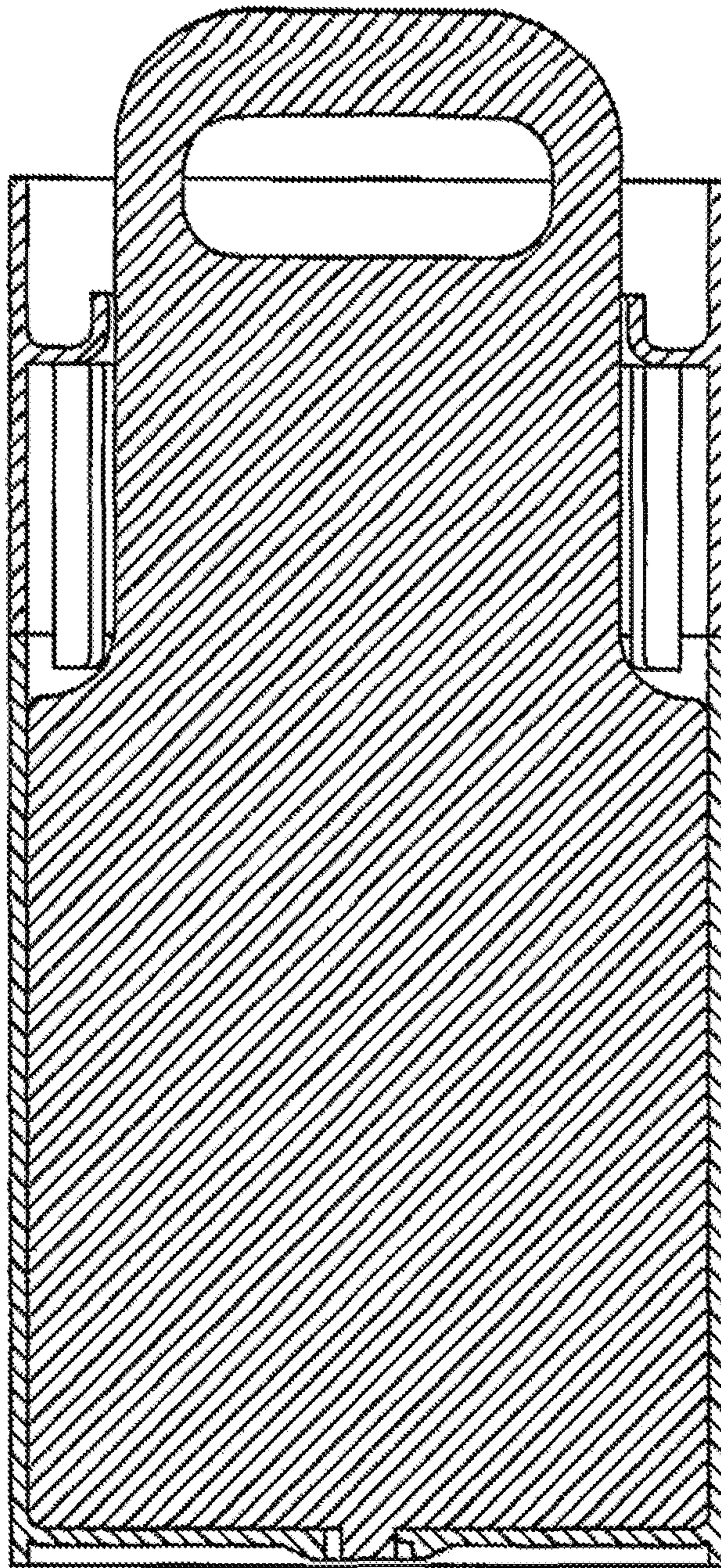


FIG. 5

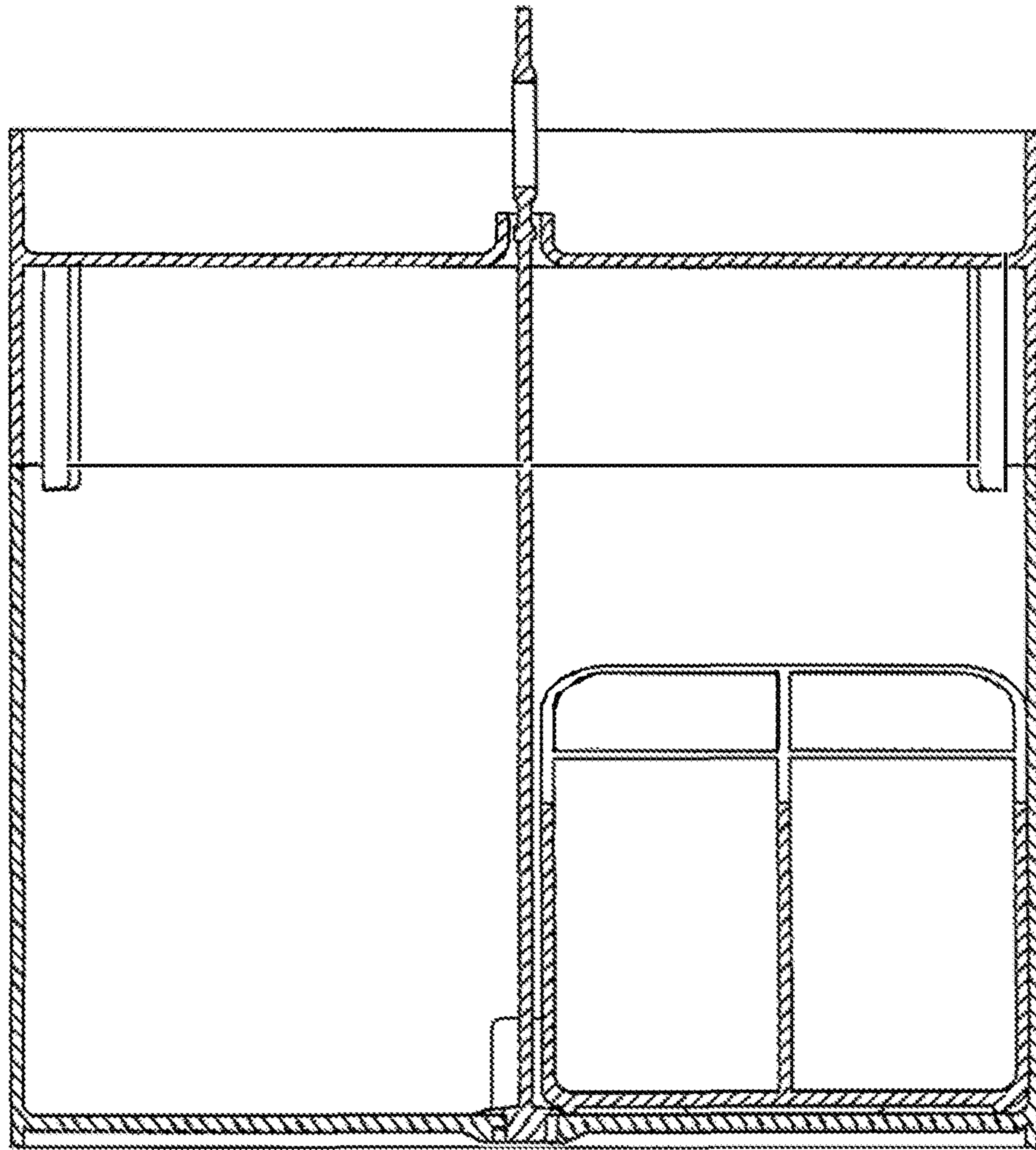


FIG. 6

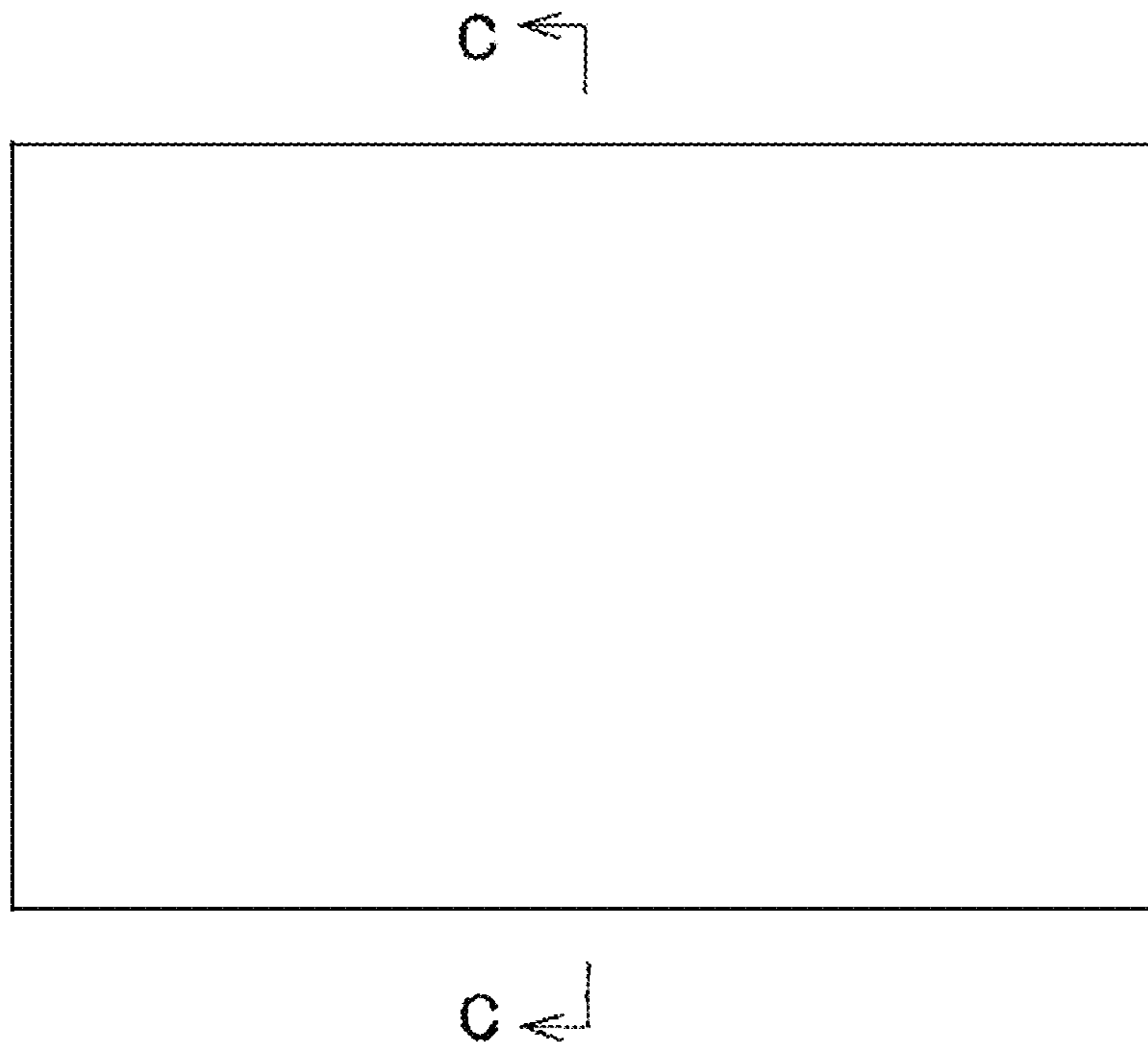


FIG. 7

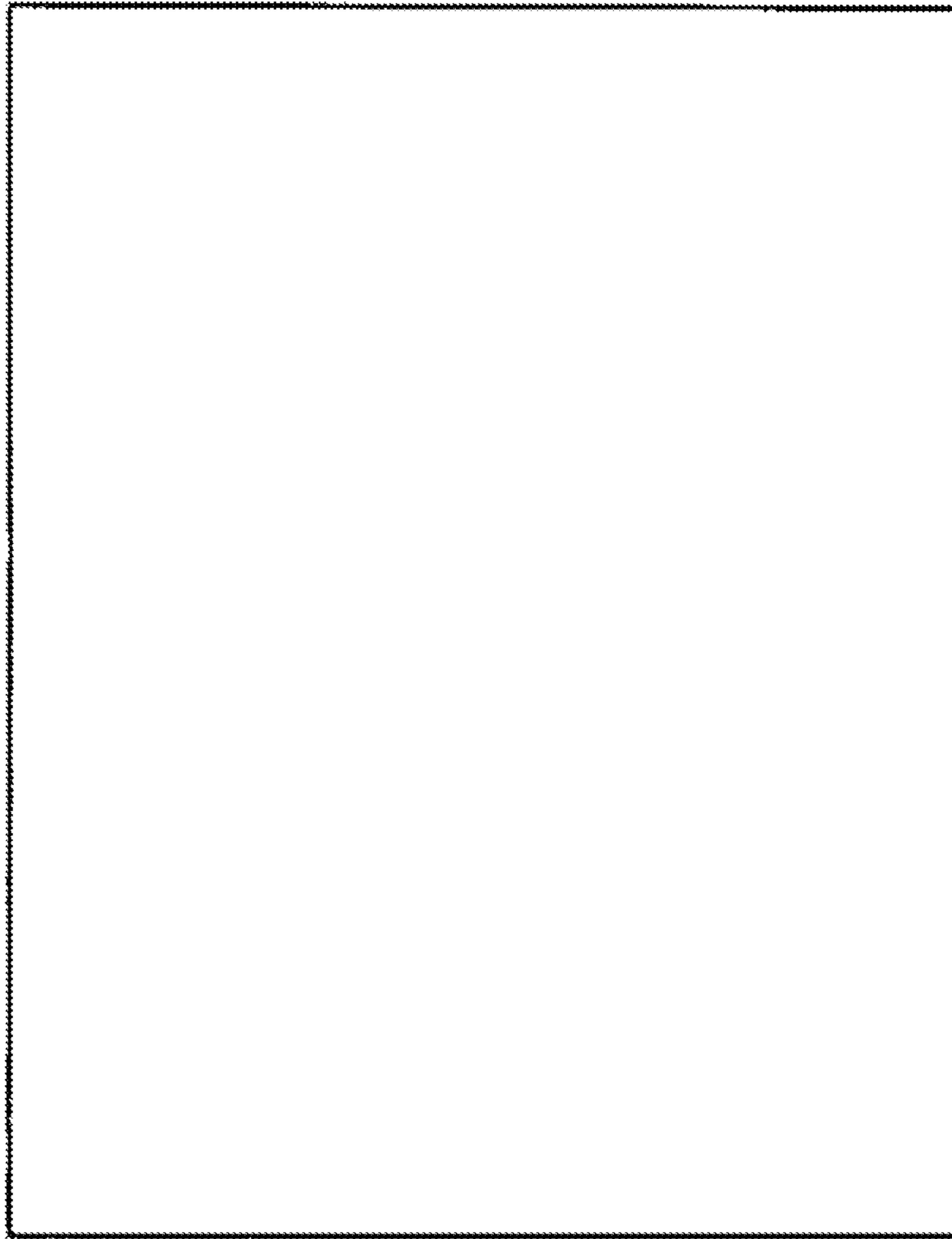


FIG. 8

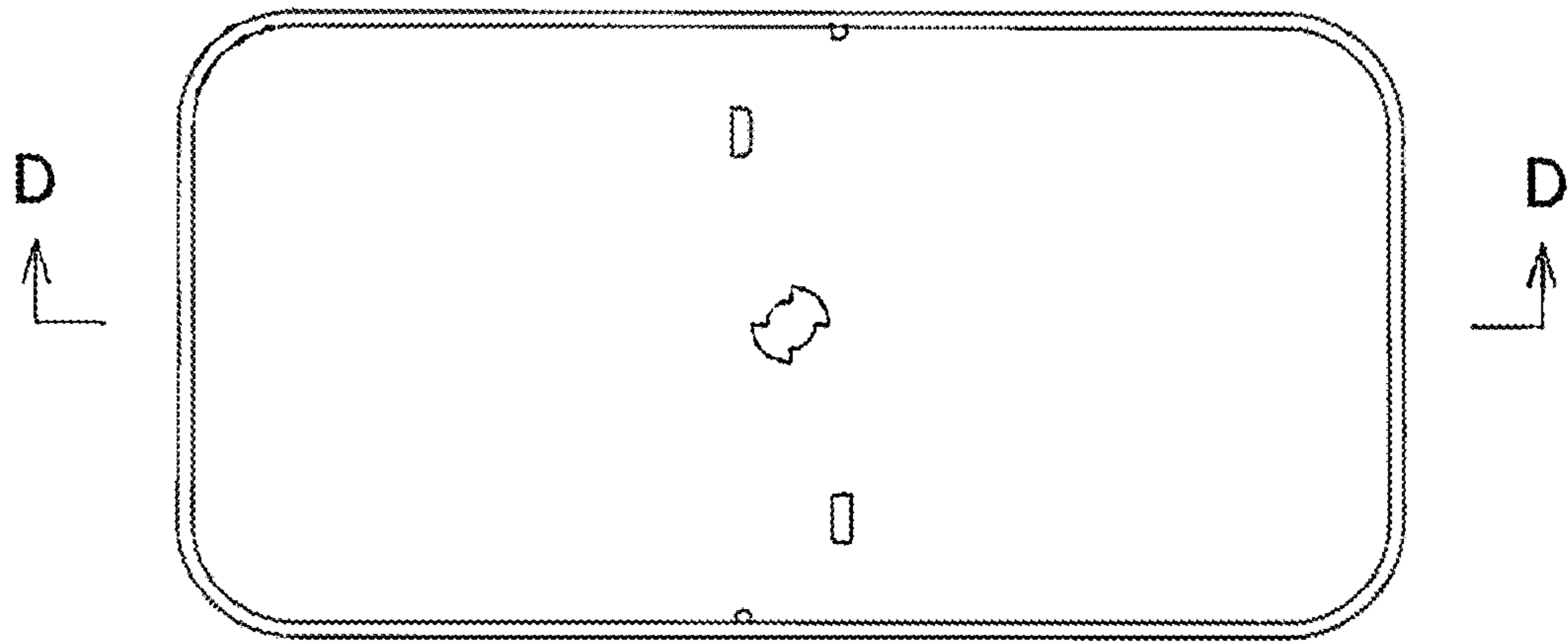


FIG. 9

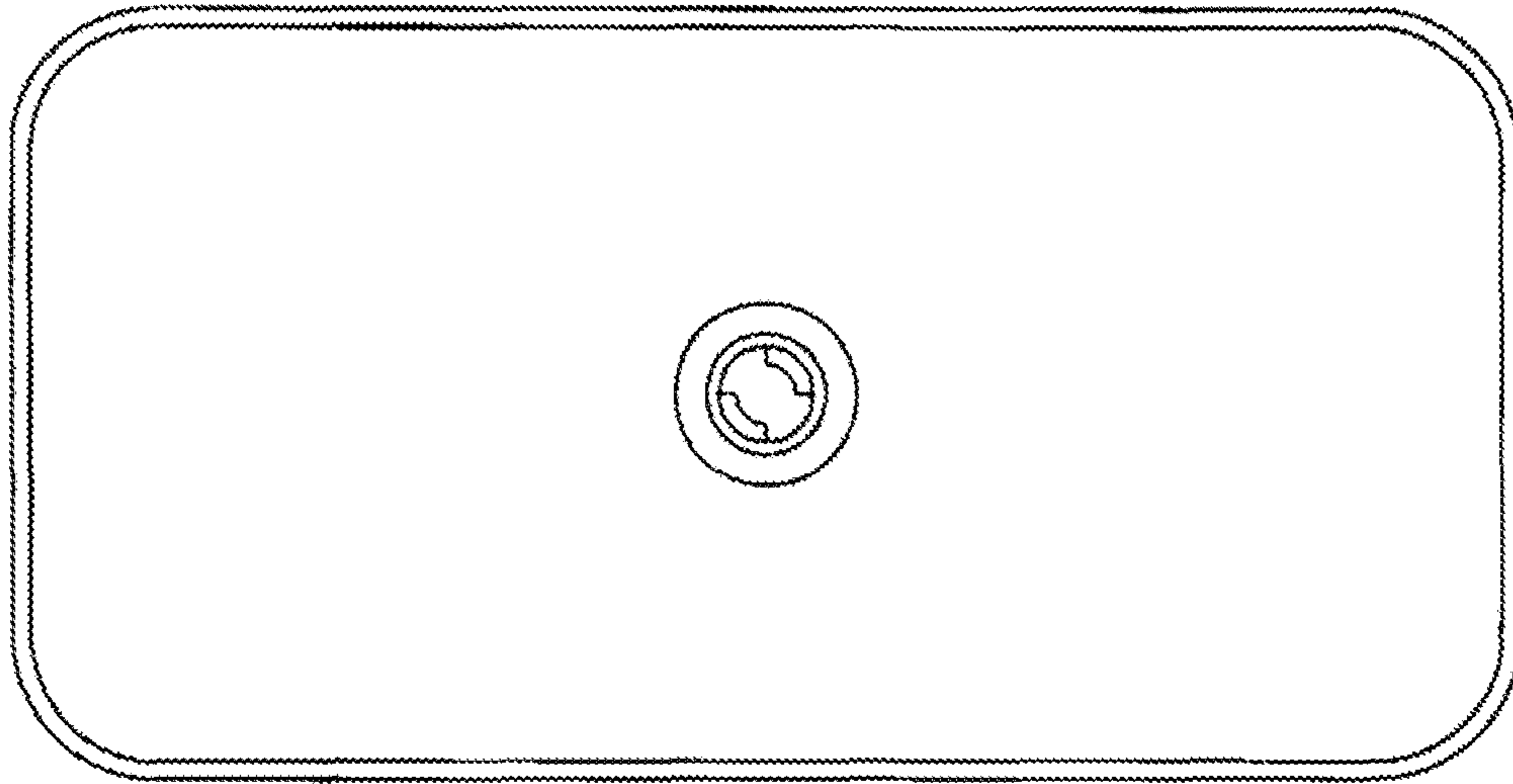


FIG. 10

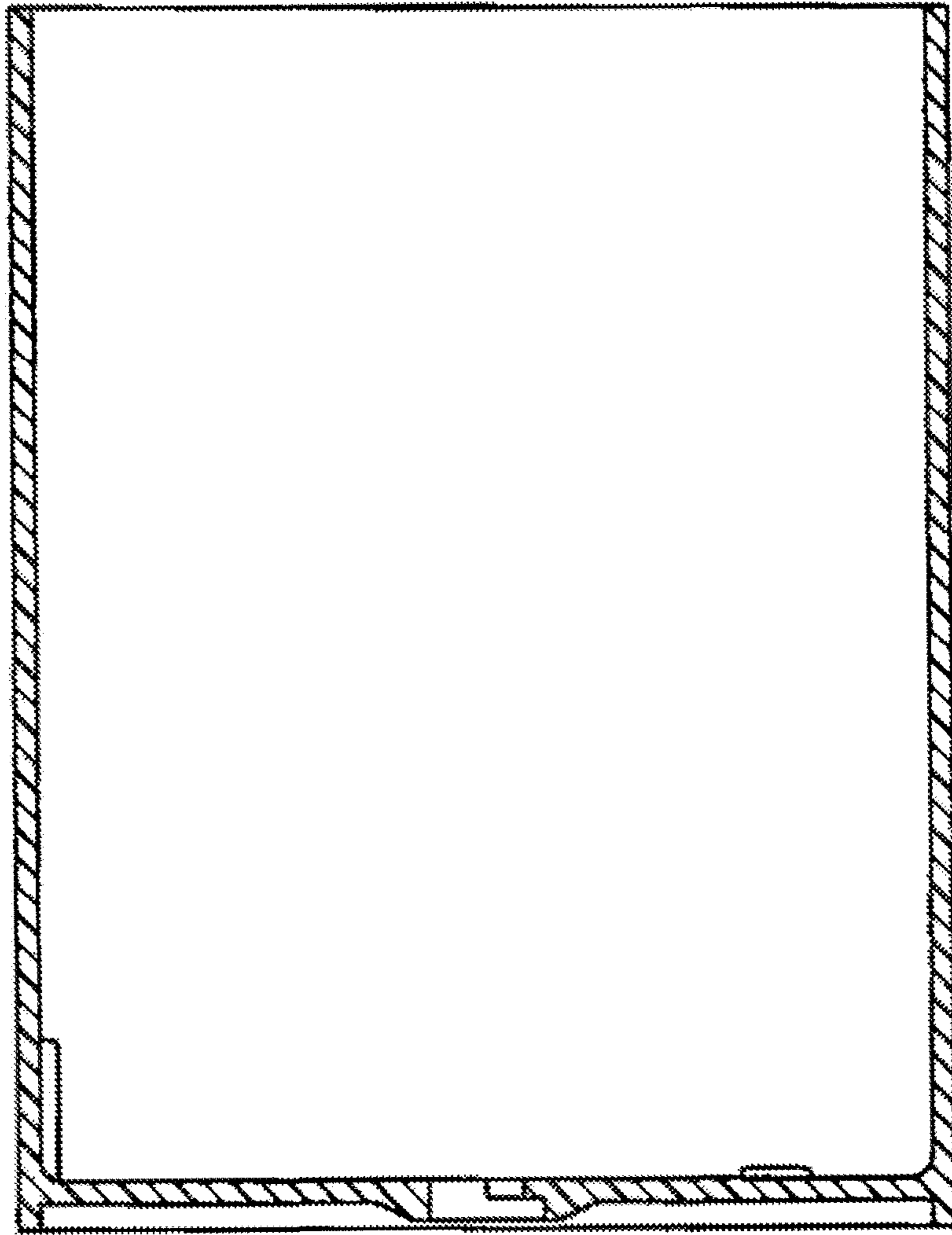


FIG. 11

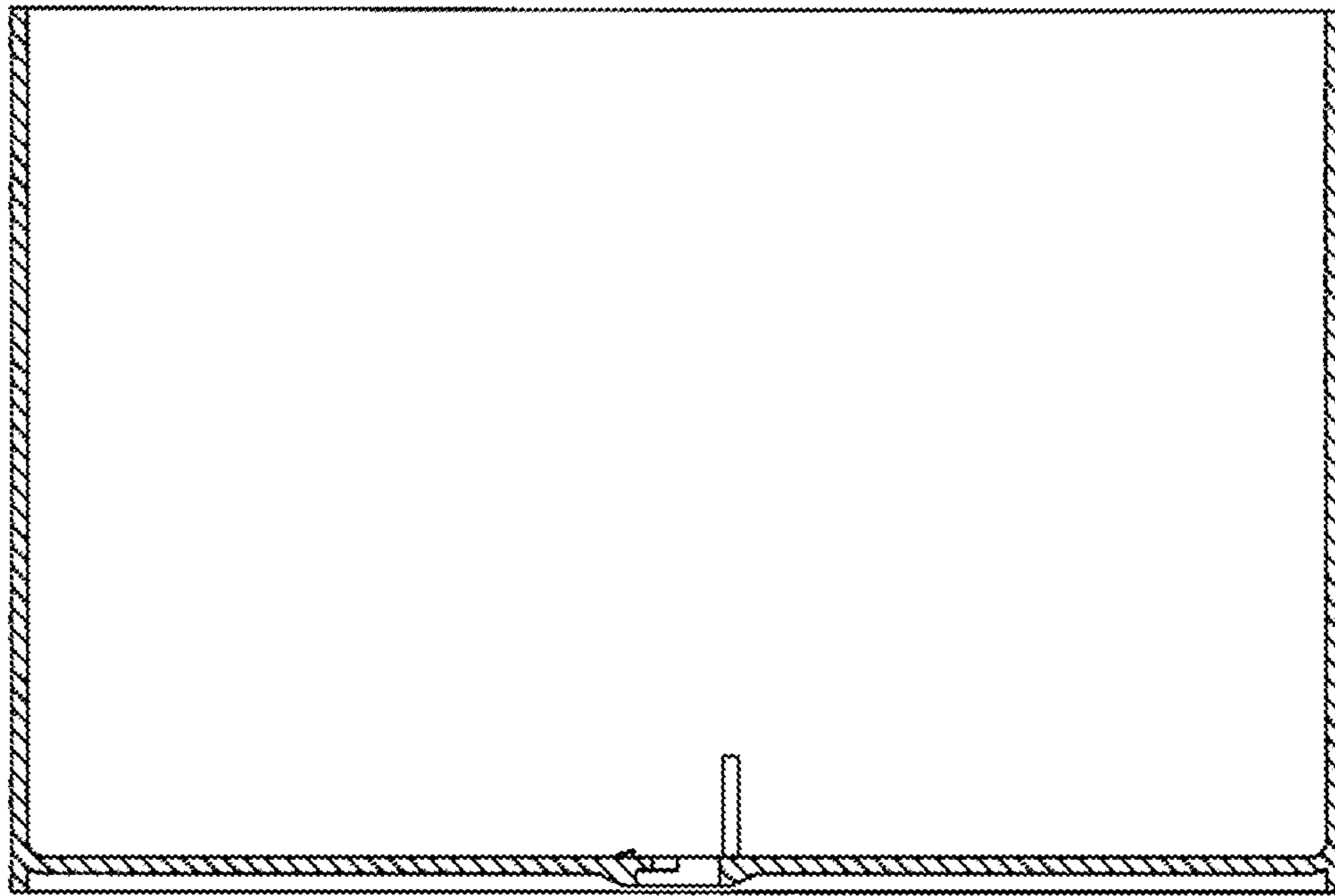


FIG. 12

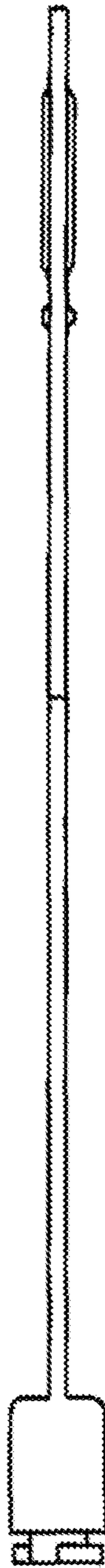


FIG. 13

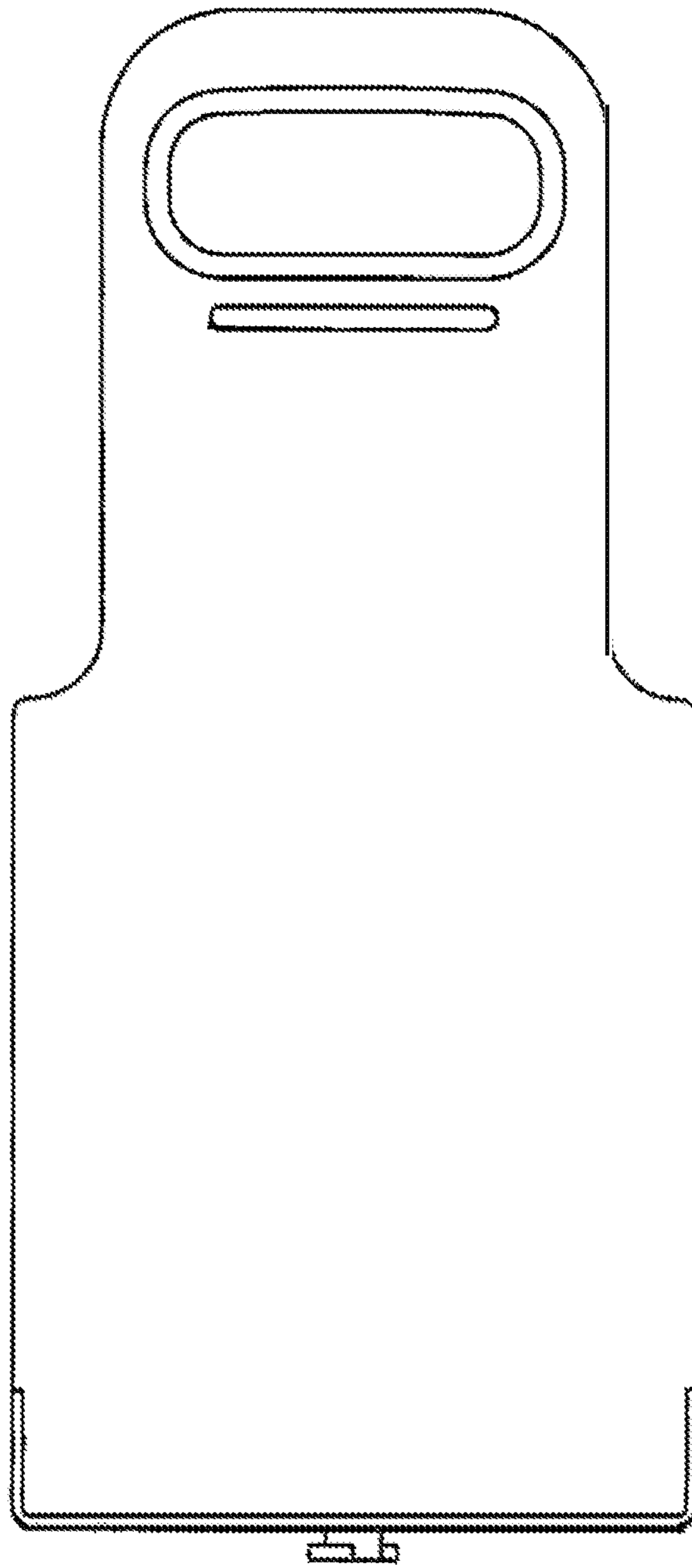


FIG. 14

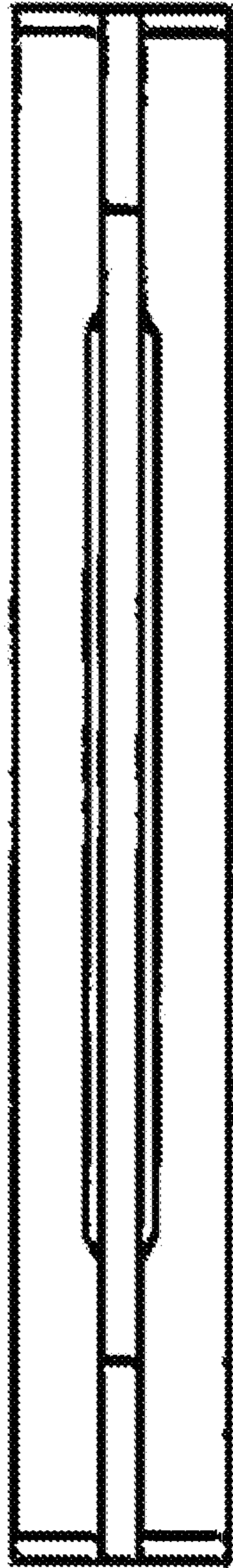


FIG. 15

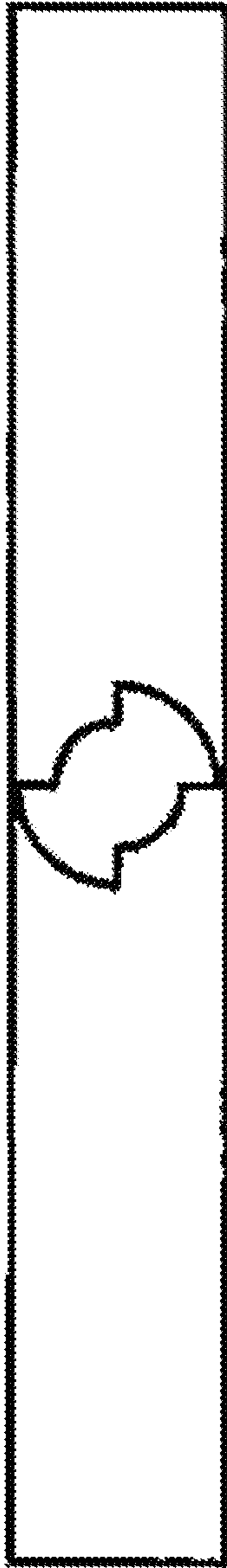


FIG. 16

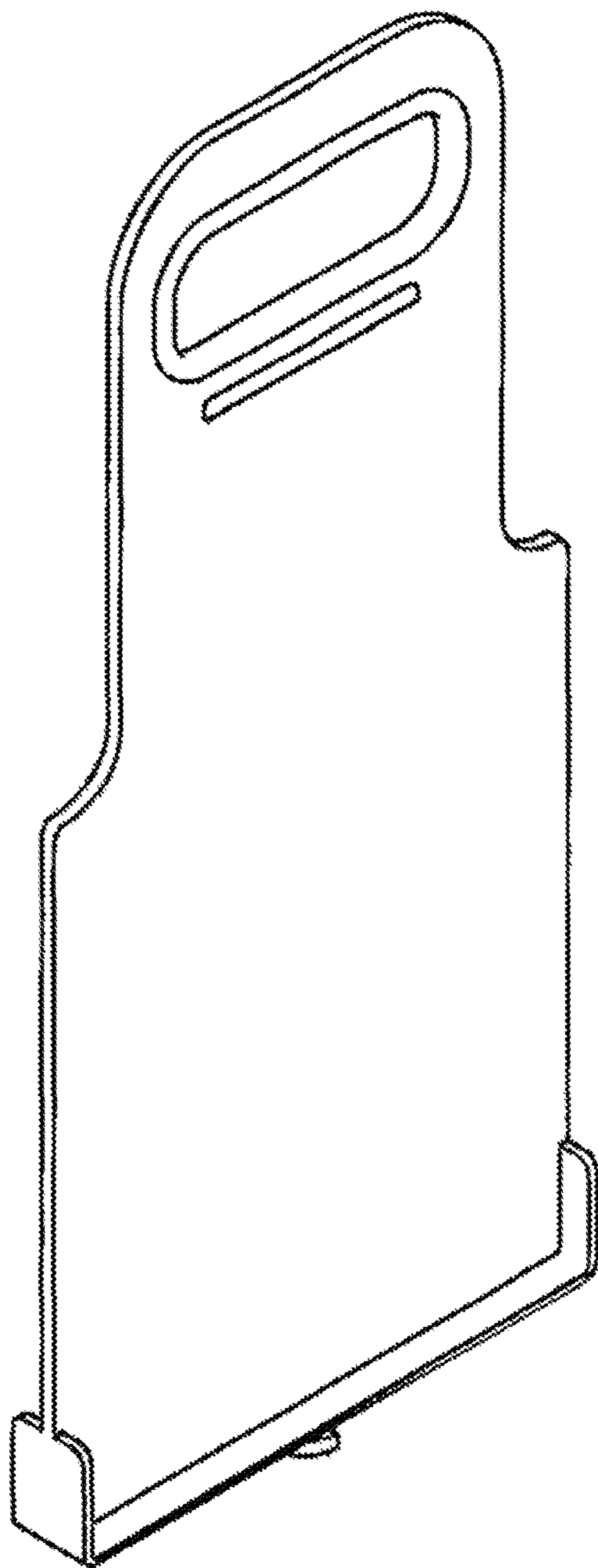


FIG. 17

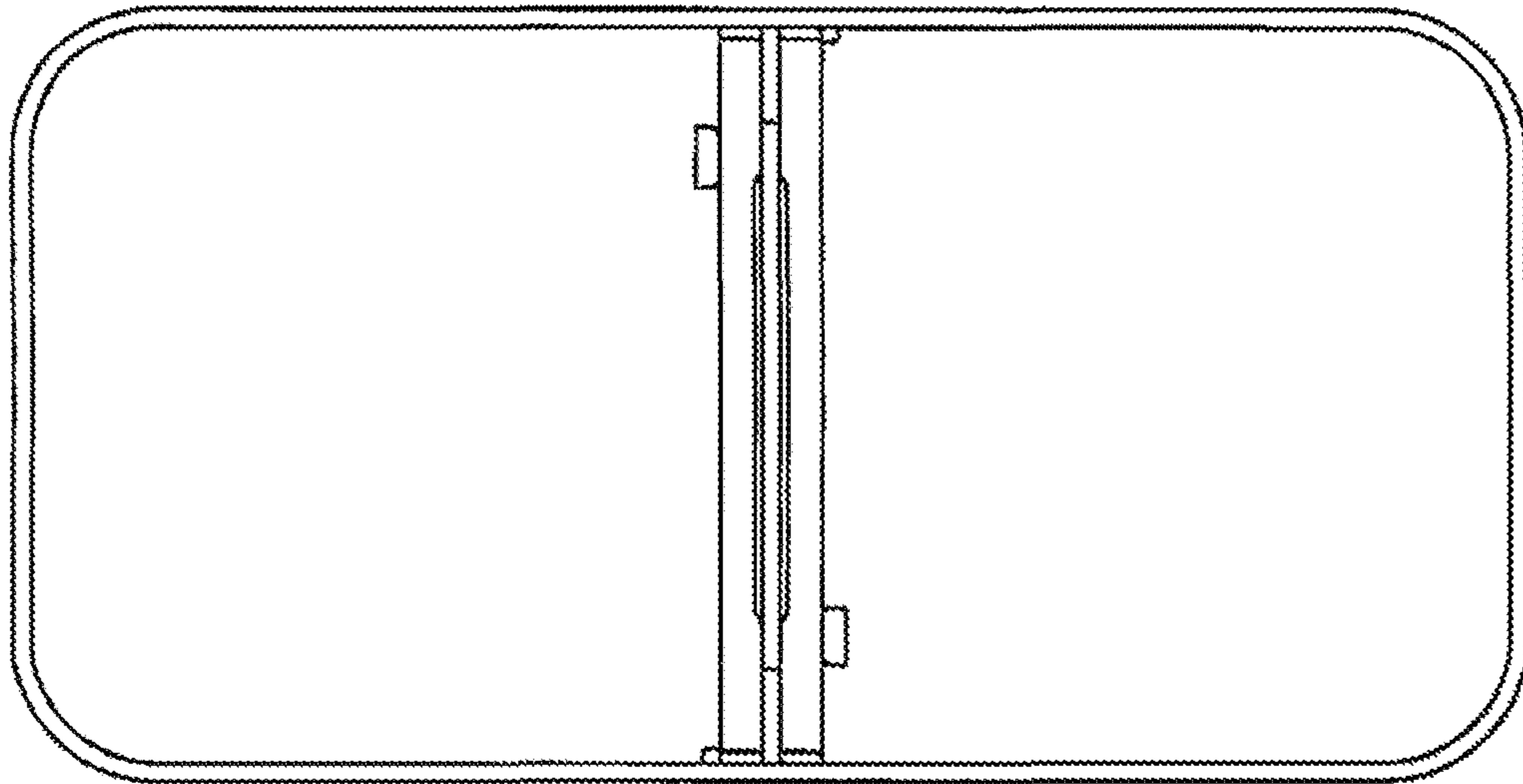


FIG. 18

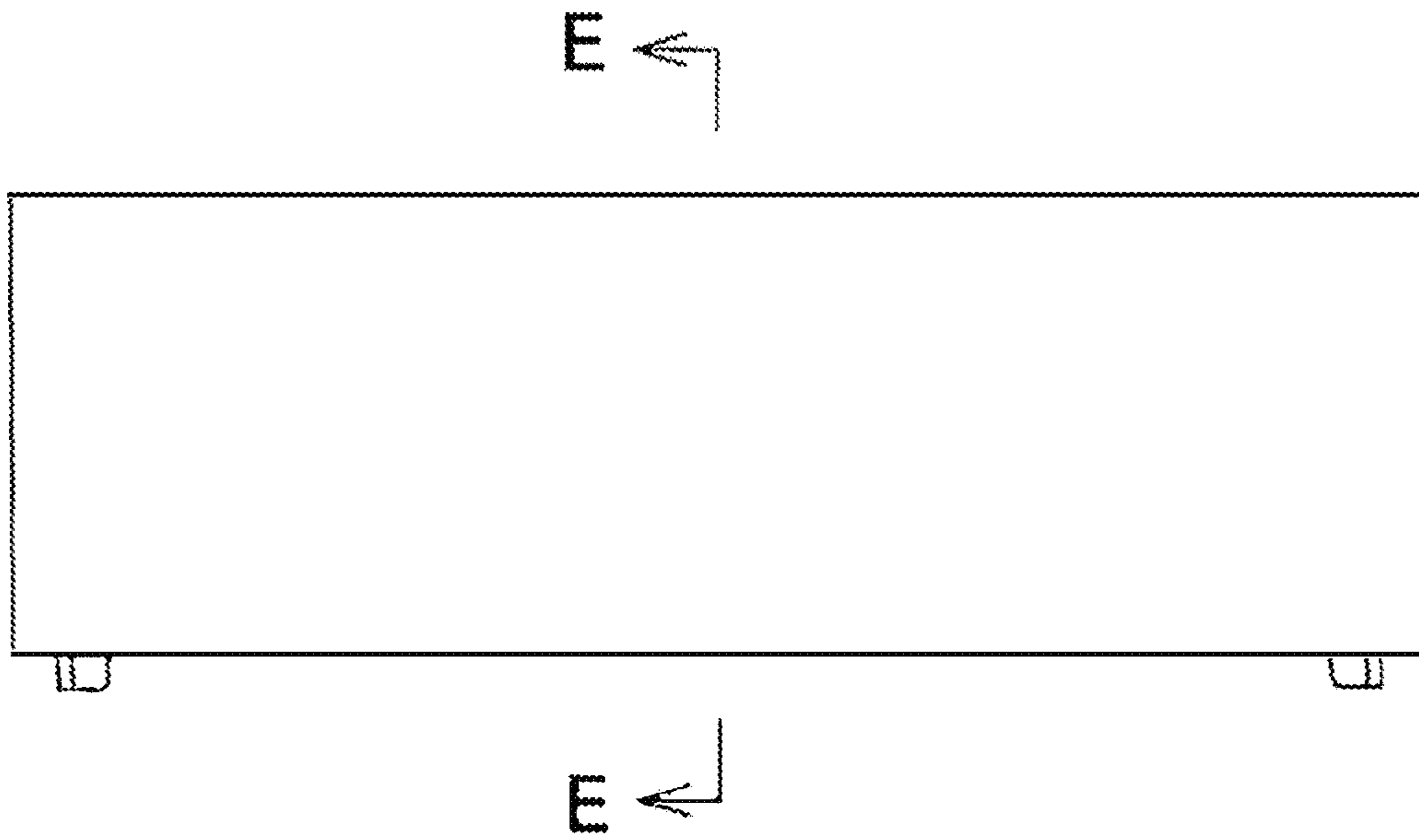


FIG. 19

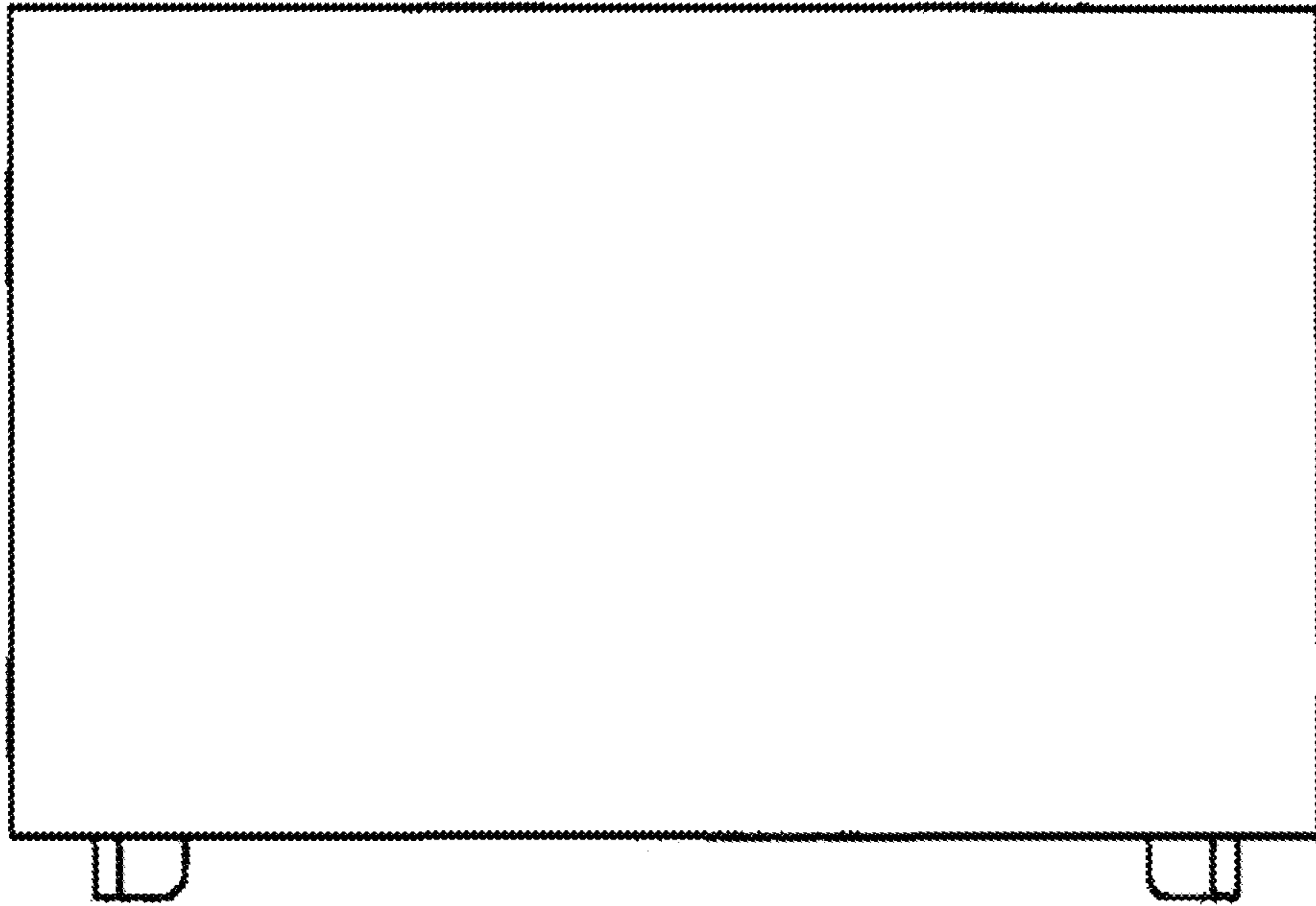


FIG. 20

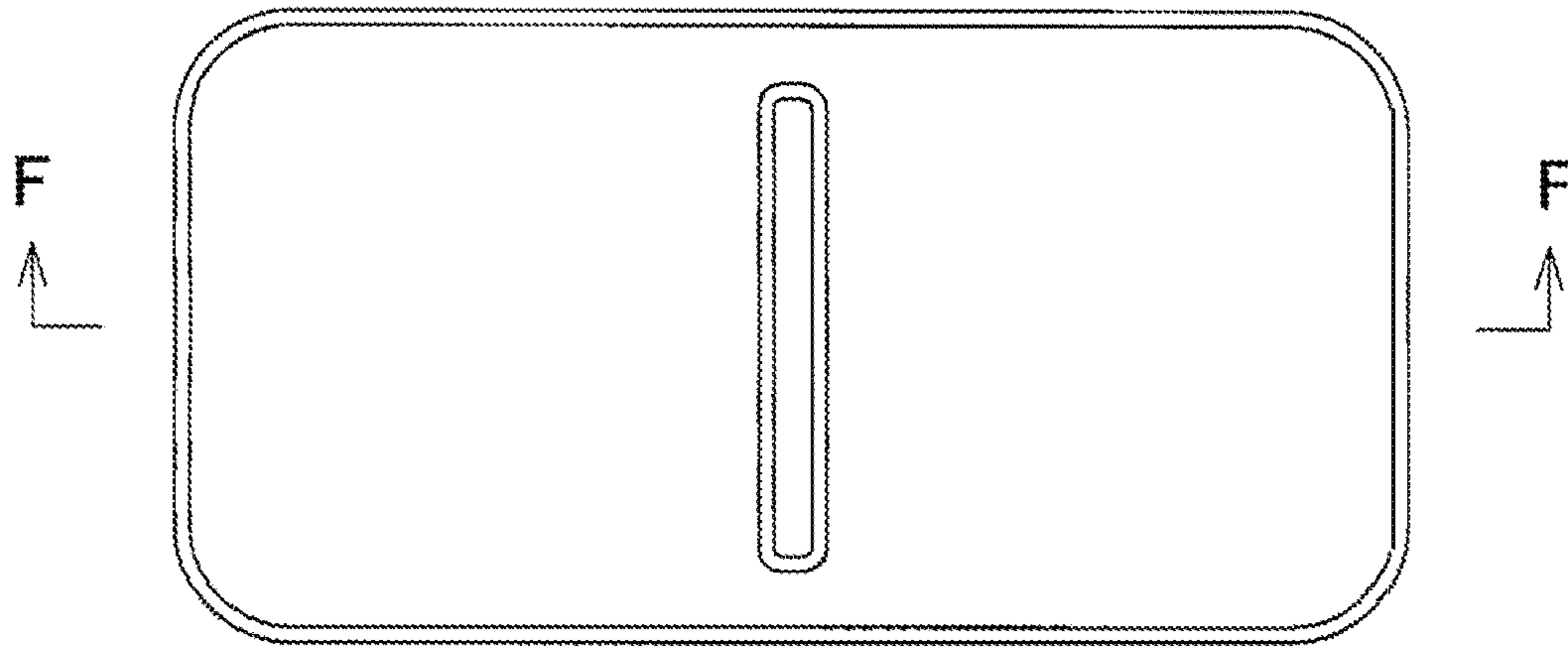


FIG. 21

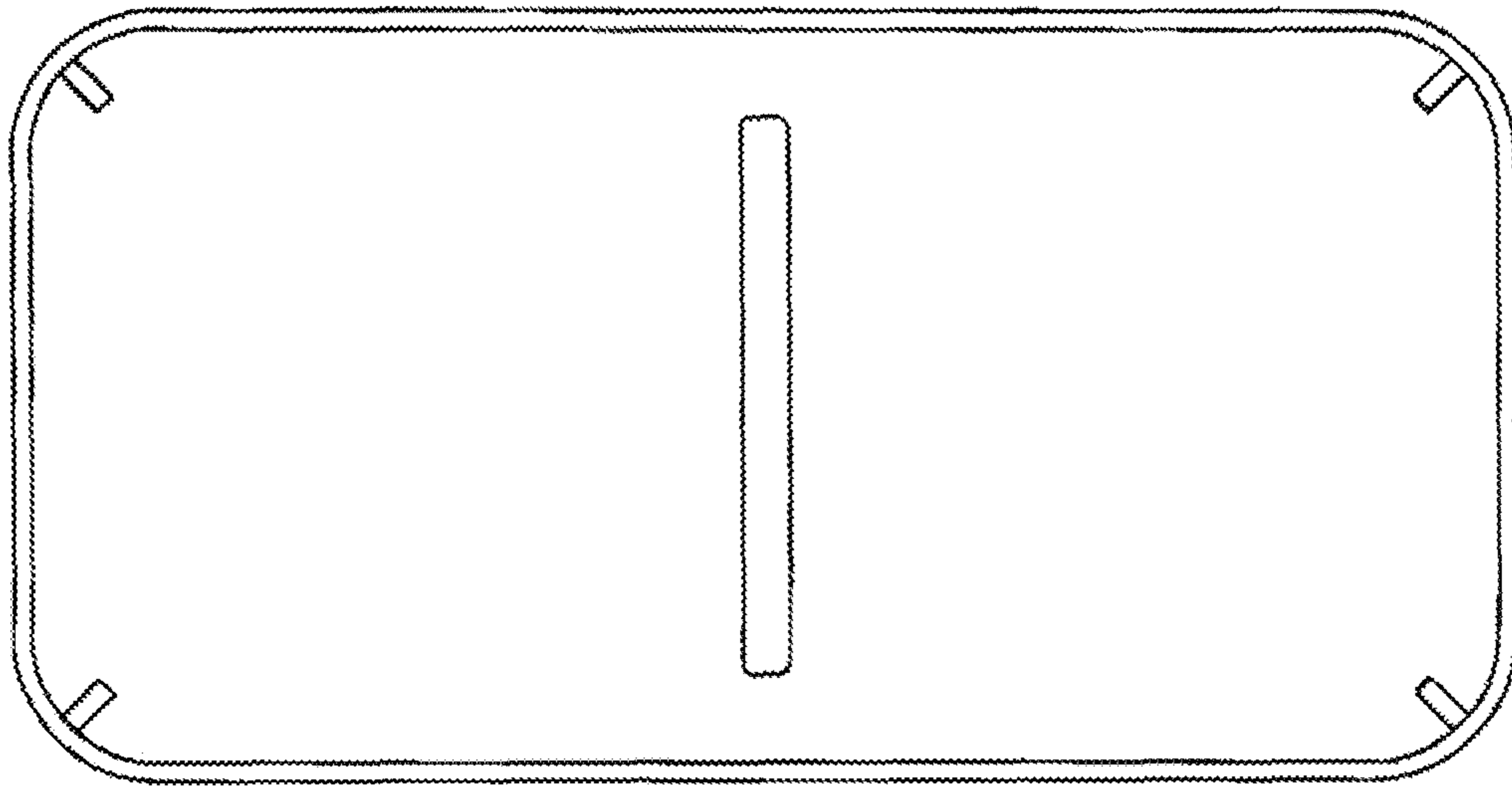


FIG. 22

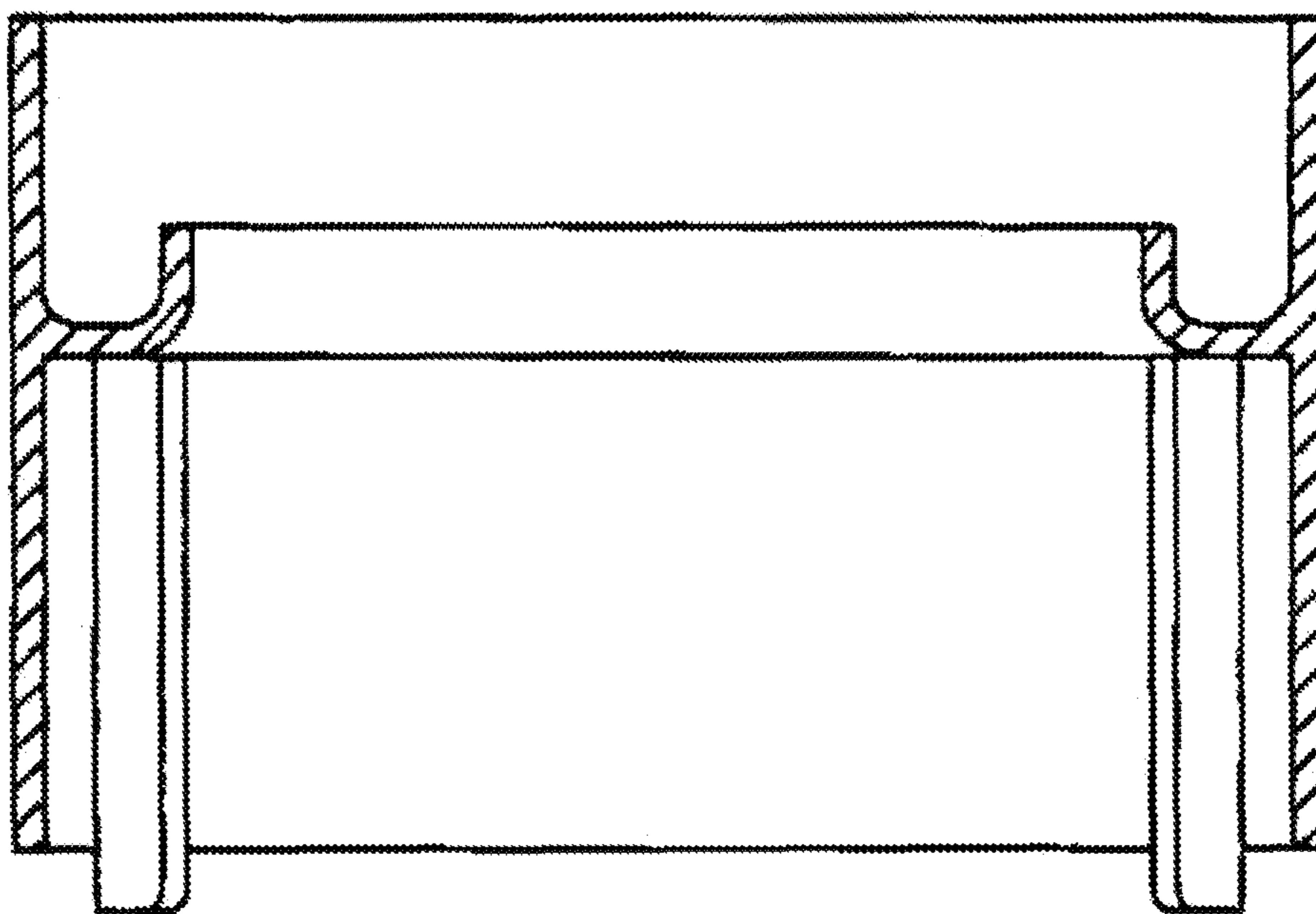


FIG. 23

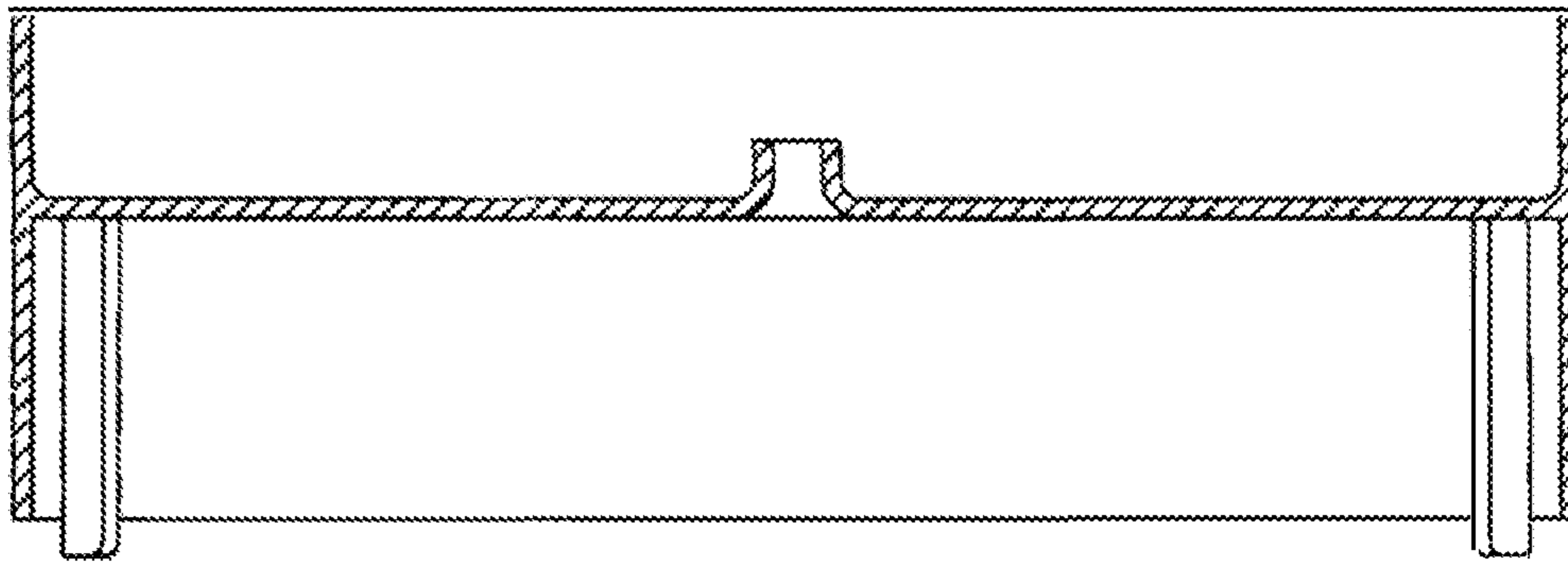
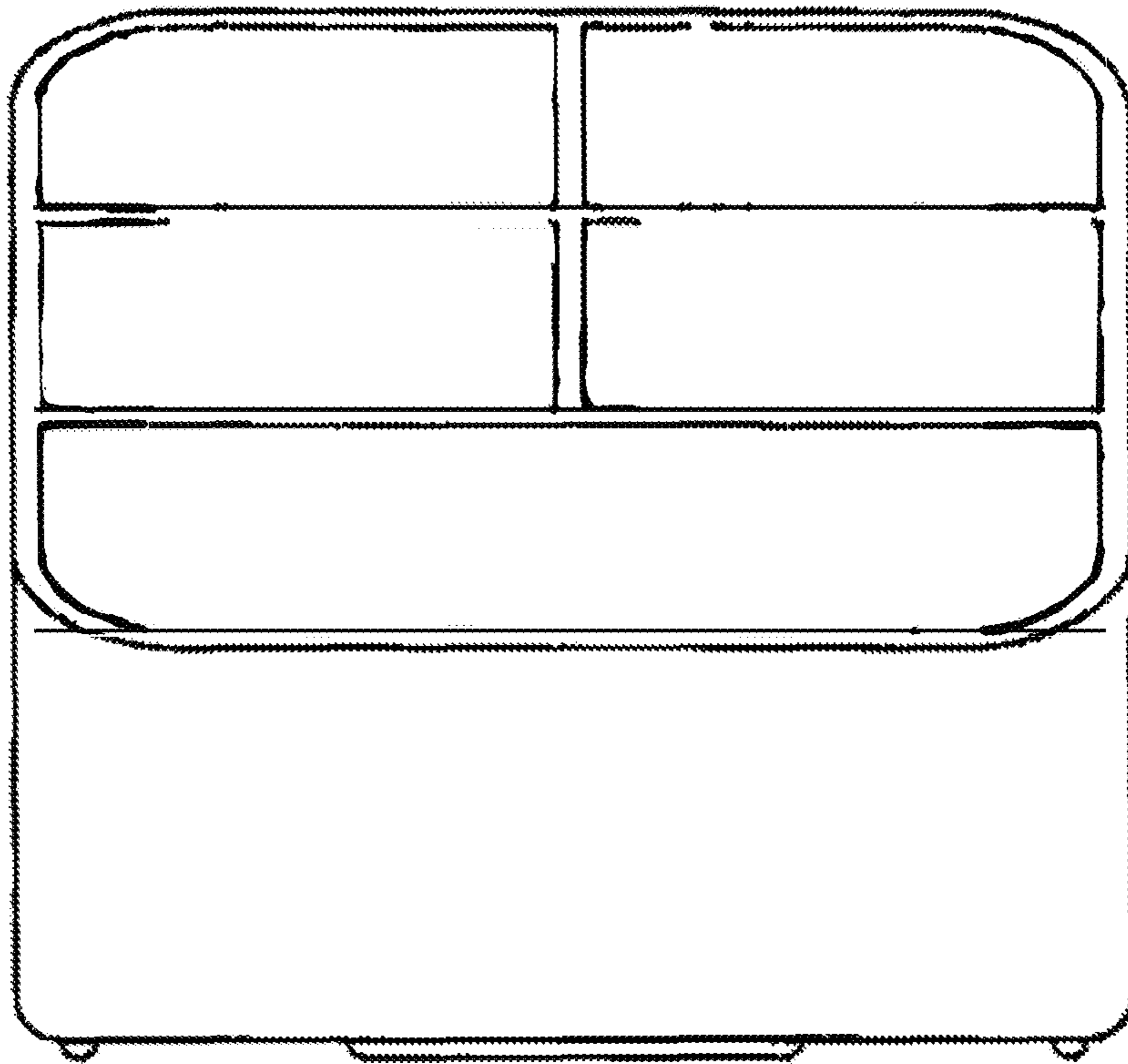


FIG. 24

G ←



G ←

FIG. 25

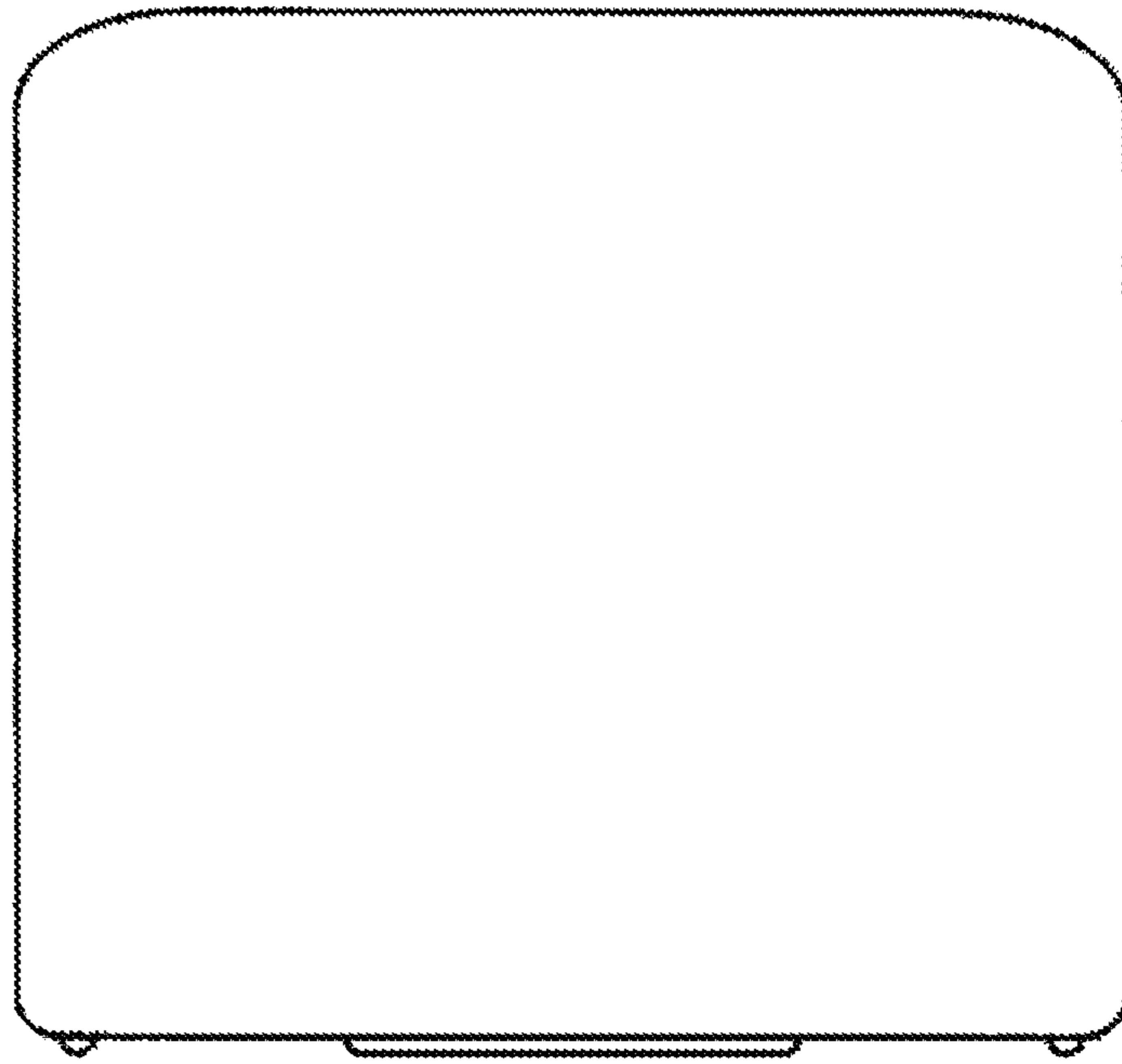


FIG. 26

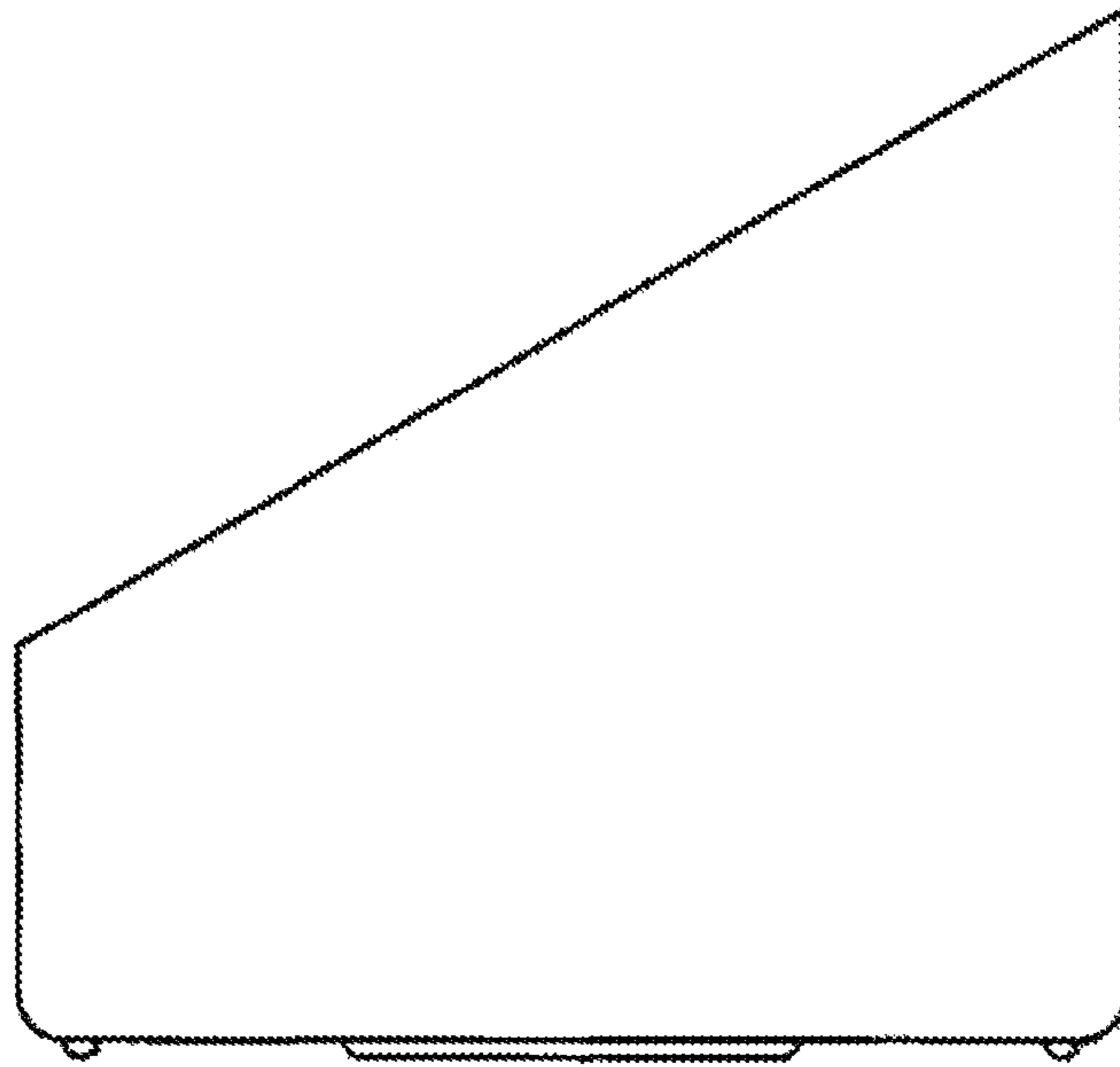


FIG. 27

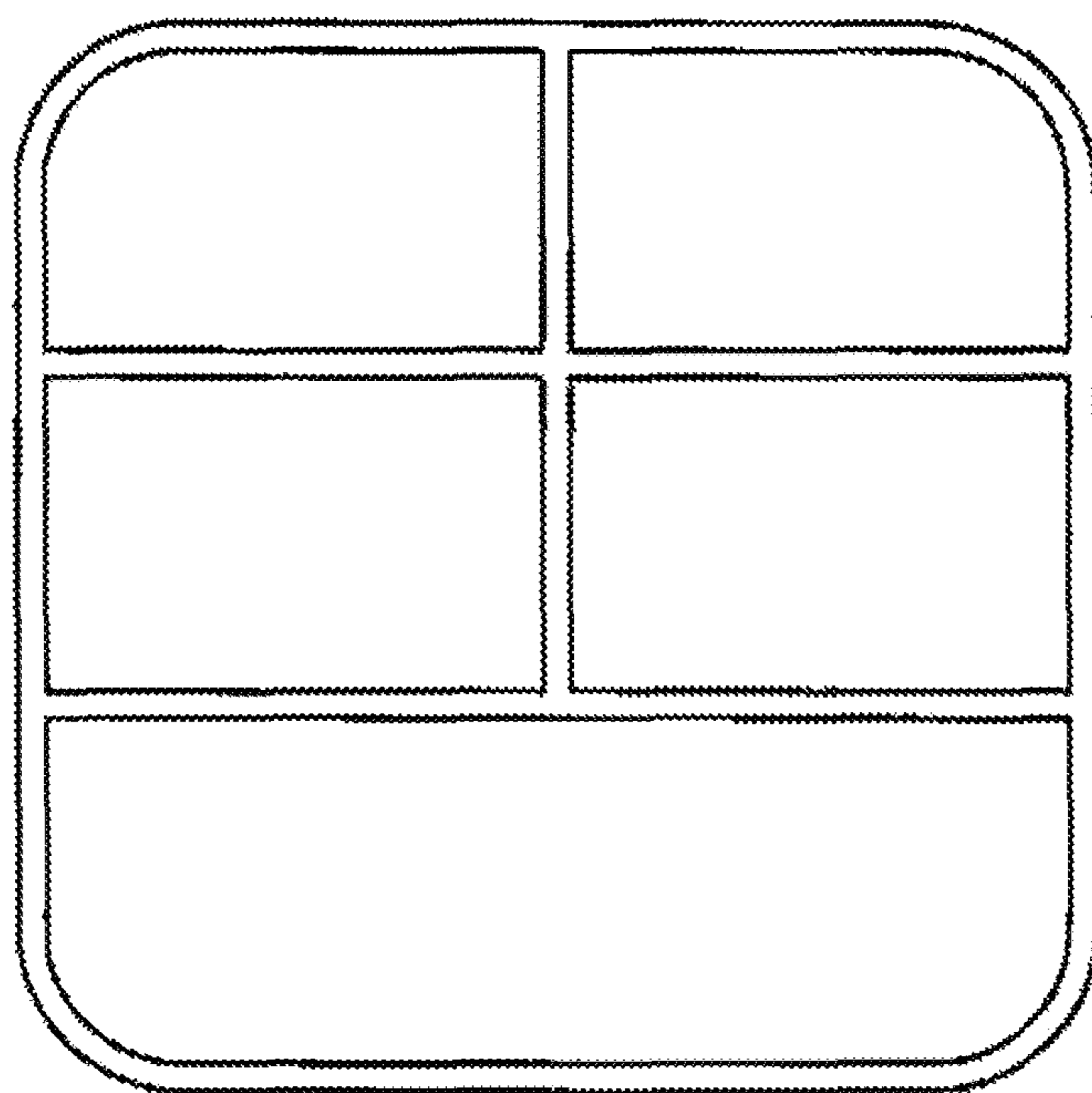


FIG. 28

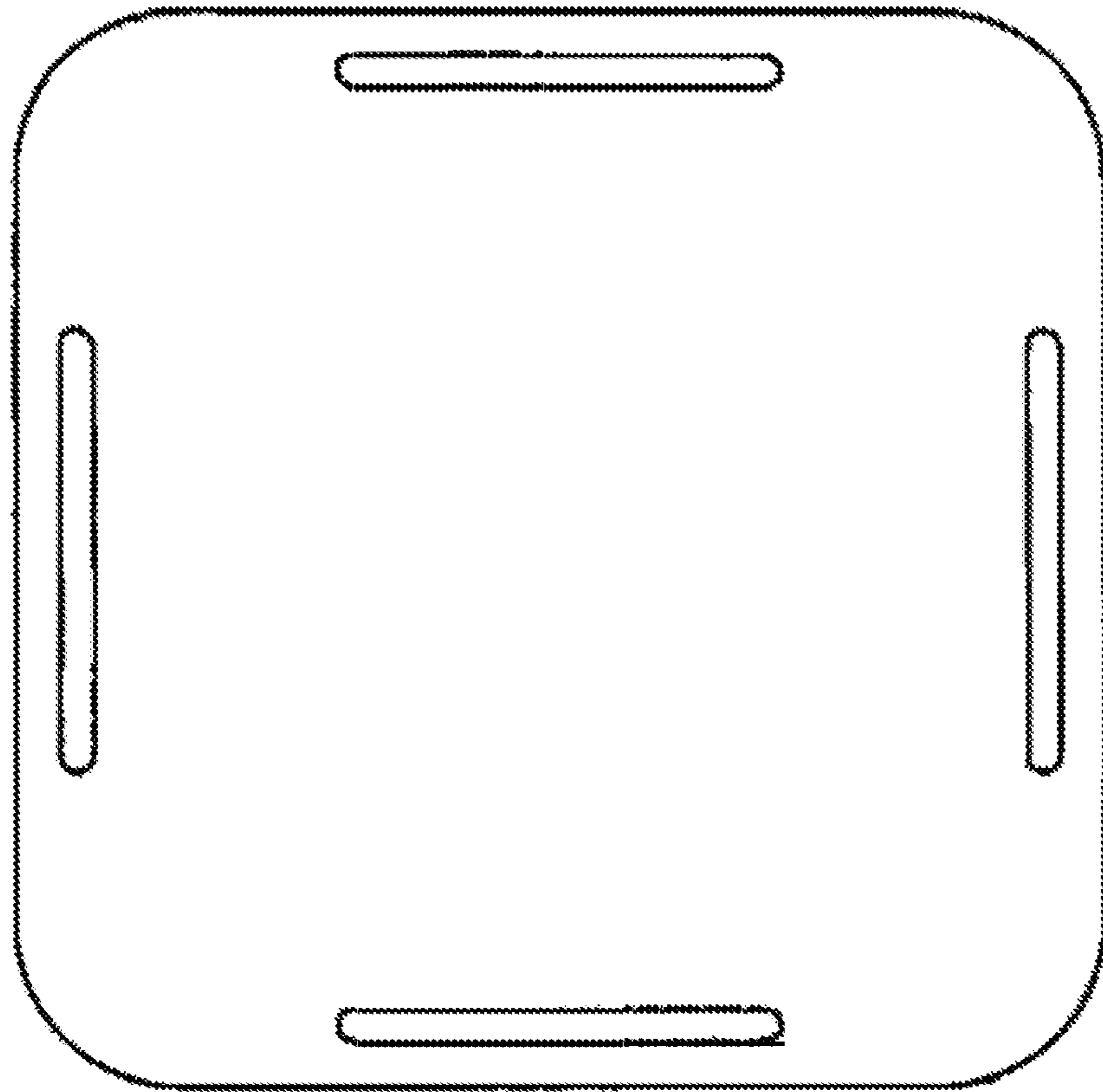


FIG. 29

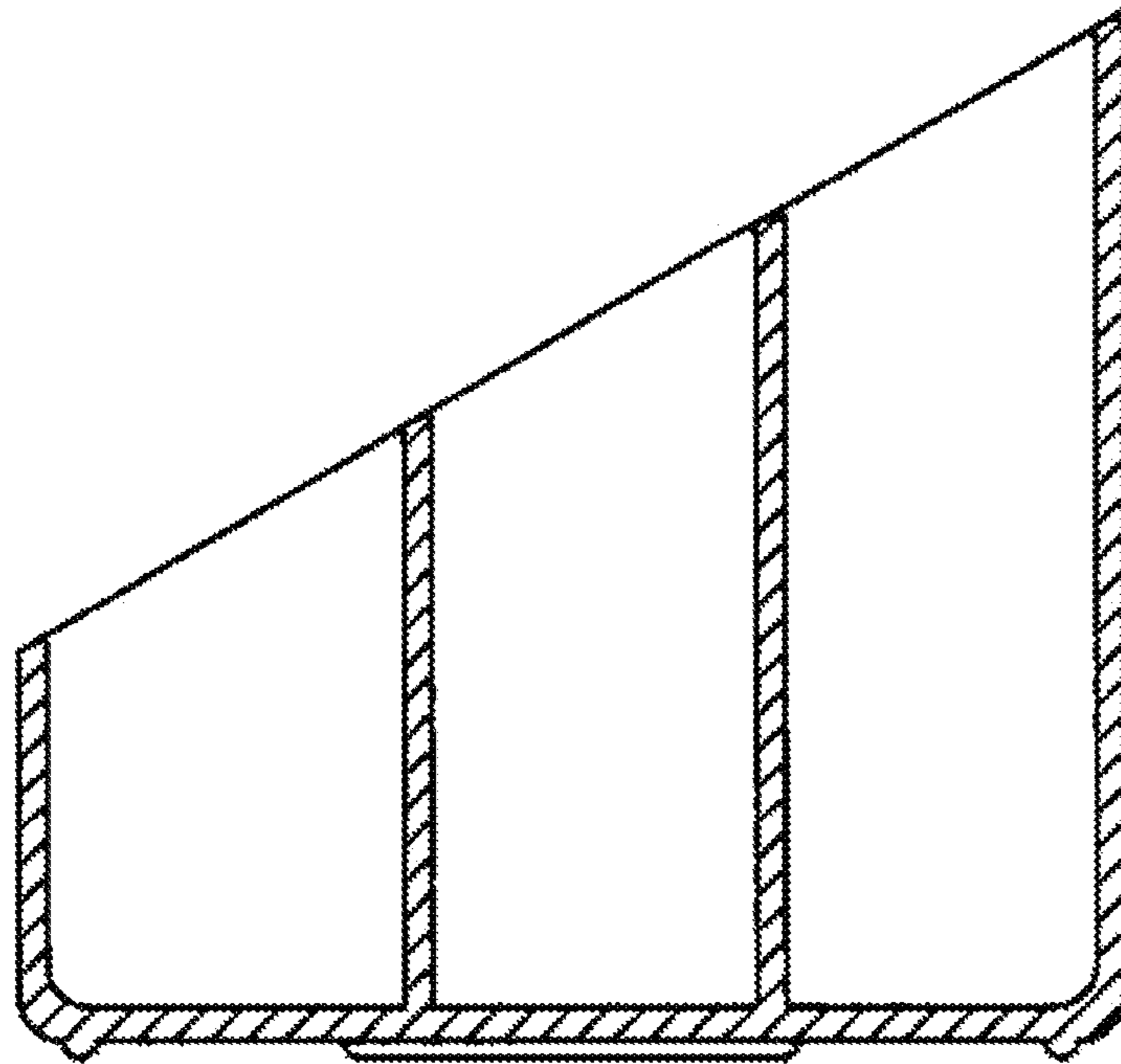


FIG. 30

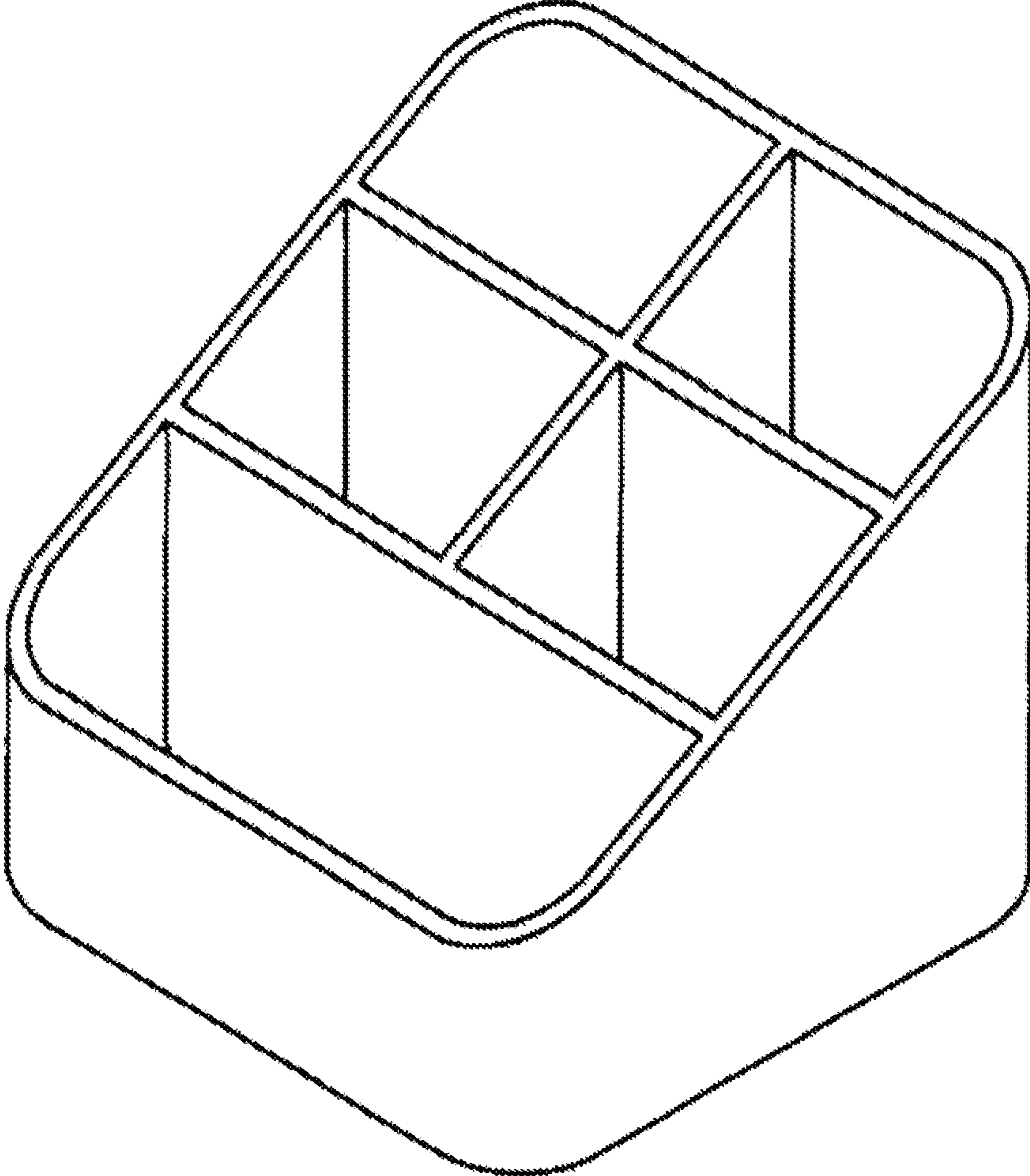


FIG. 31

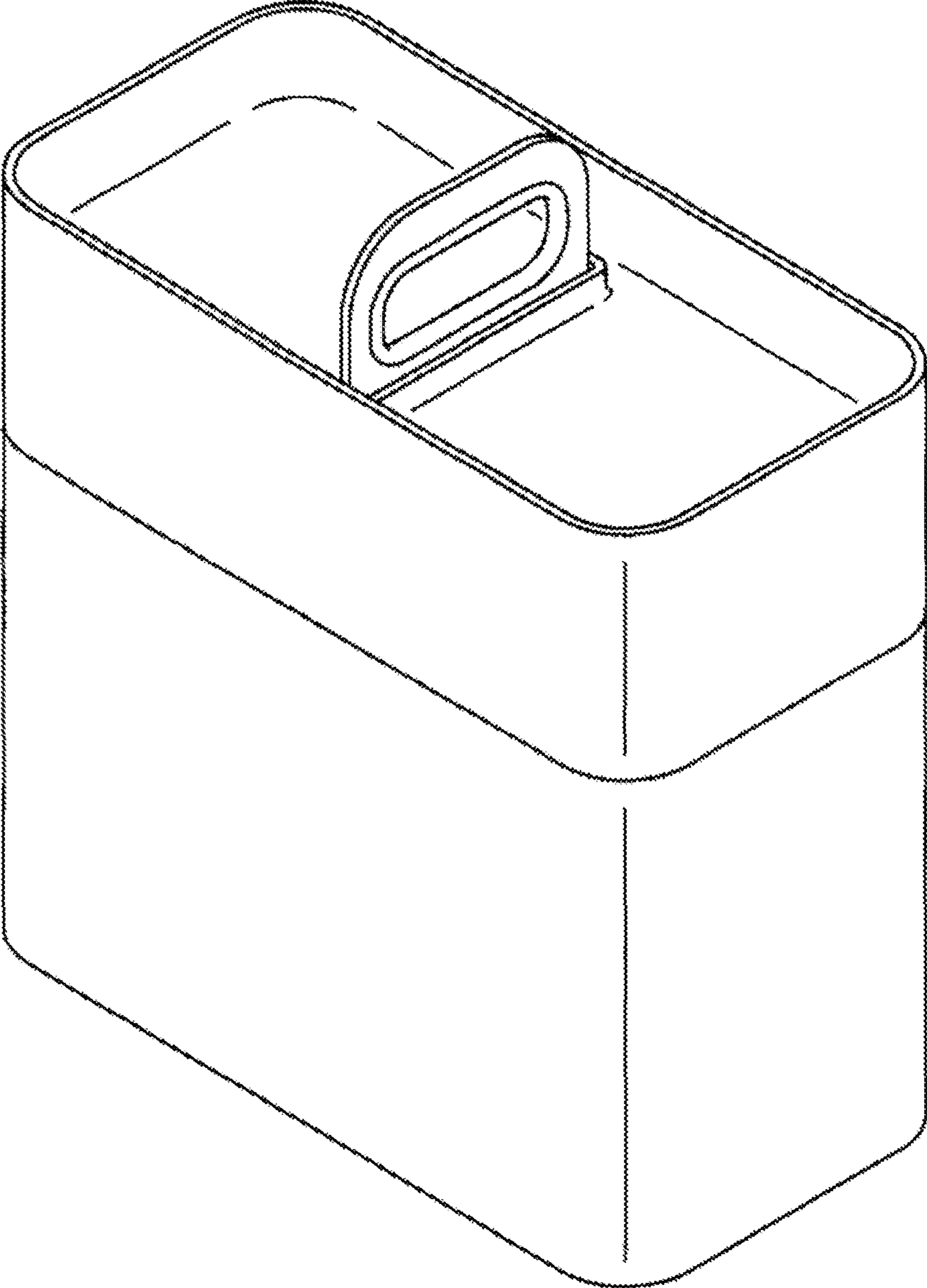


FIG. 32

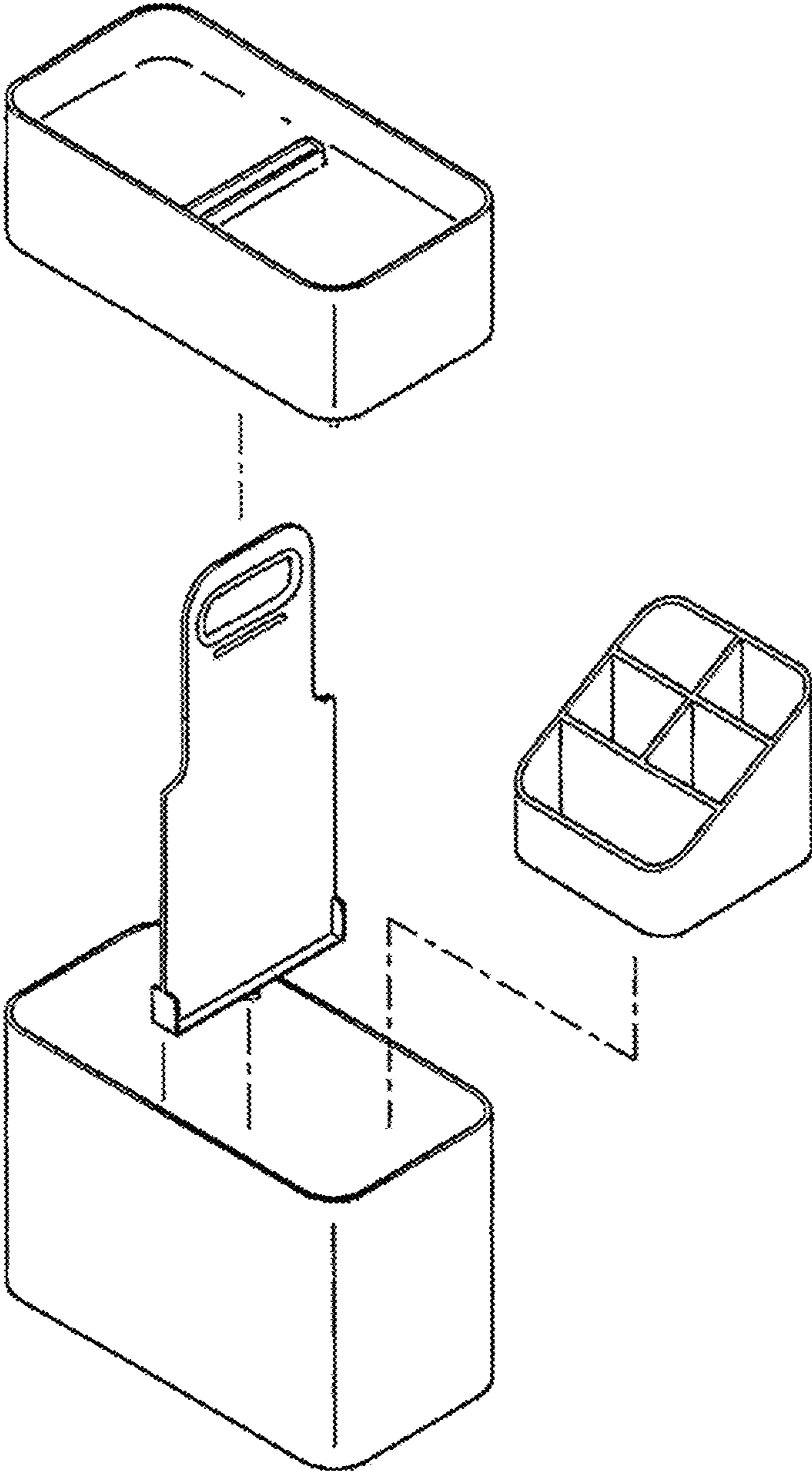


FIG. 33