



US00D932184S

(12) **United States Design Patent**
Yang

(10) **Patent No.:** **US D932,184 S**
(45) **Date of Patent:** **** Oct. 5, 2021**

- (54) **DOUBLE RIFLE BAG**
- (71) Applicant: **Zijiang Yang**, Fontana, CA (US)
- (72) Inventor: **Zijiang Yang**, Fontana, CA (US)
- (**) Term: **15 Years**
- (21) Appl. No.: **29/727,476**
- (22) Filed: **Mar. 11, 2020**
- (51) **LOC (13) Cl.** **03-01**
- (52) **U.S. Cl.**
USPC **D3/262; D3/283; D3/289**
- (58) **Field of Classification Search**
USPC D3/215–217, 221–222, 224–228,
D3/230–233, 242–246, 254, 259–260,
D3/262, 273, 276, 283–291, 299, 301,
D3/303, 315, 321–322, 904–905;
D22/149–150
CPC A01K 97/06; A45C 1/024; A45C 3/00;
A45C 3/04; A45C 3/06; A45C 3/08;
A45C 3/10; A45C 5/00; A45C 5/005;
A45C 5/06; A45C 7/00; A45C 7/0063;
A45C 7/0077; A45C 11/00; A45C 11/20;
A45C 13/02; A45C 13/08; A45C 13/083;
A45C 13/26; A45C 13/1046; A45C
15/00; A45F 3/02; A45F 3/04; A45F
3/047; A45F 3/08; A45F 3/14; A45F
4/02; A45F 2200/0525
See application file for complete search history.

- D893,180 S * 8/2020 Yang D3/262
- D895,281 S * 9/2020 Barker D3/262
- D911,703 S * 3/2021 Yang D3/262

OTHER PUBLICATIONS

Savior Equipment Specialist Series 36" 42" 46" Discreet Tactical Double Carbine Long Rifle Bag . . . , first available Mar. 24, 2020, amazon.com [online], [site visited Jun. 28, 2021], Available at internet URL: <https://www.amazon.com/dp/B086BM2Z7X> (Year: 2020).*

ARMYCAMO 38 Inch Double Rifle Bag . . . , first available Jul. 31, 2018, amazon.com [online], [site visited Jun. 28, 2021], Available at internet URL: <https://www.amazon.com/dp/B07G2RT371> (Year: 2018).*

* cited by examiner

Primary Examiner — Jeffrey D Asch
Assistant Examiner — Caitlin A Laverty

(57) **CLAIM**

I claim the ornamental design for a double rifle bag, as shown and described.

DESCRIPTION

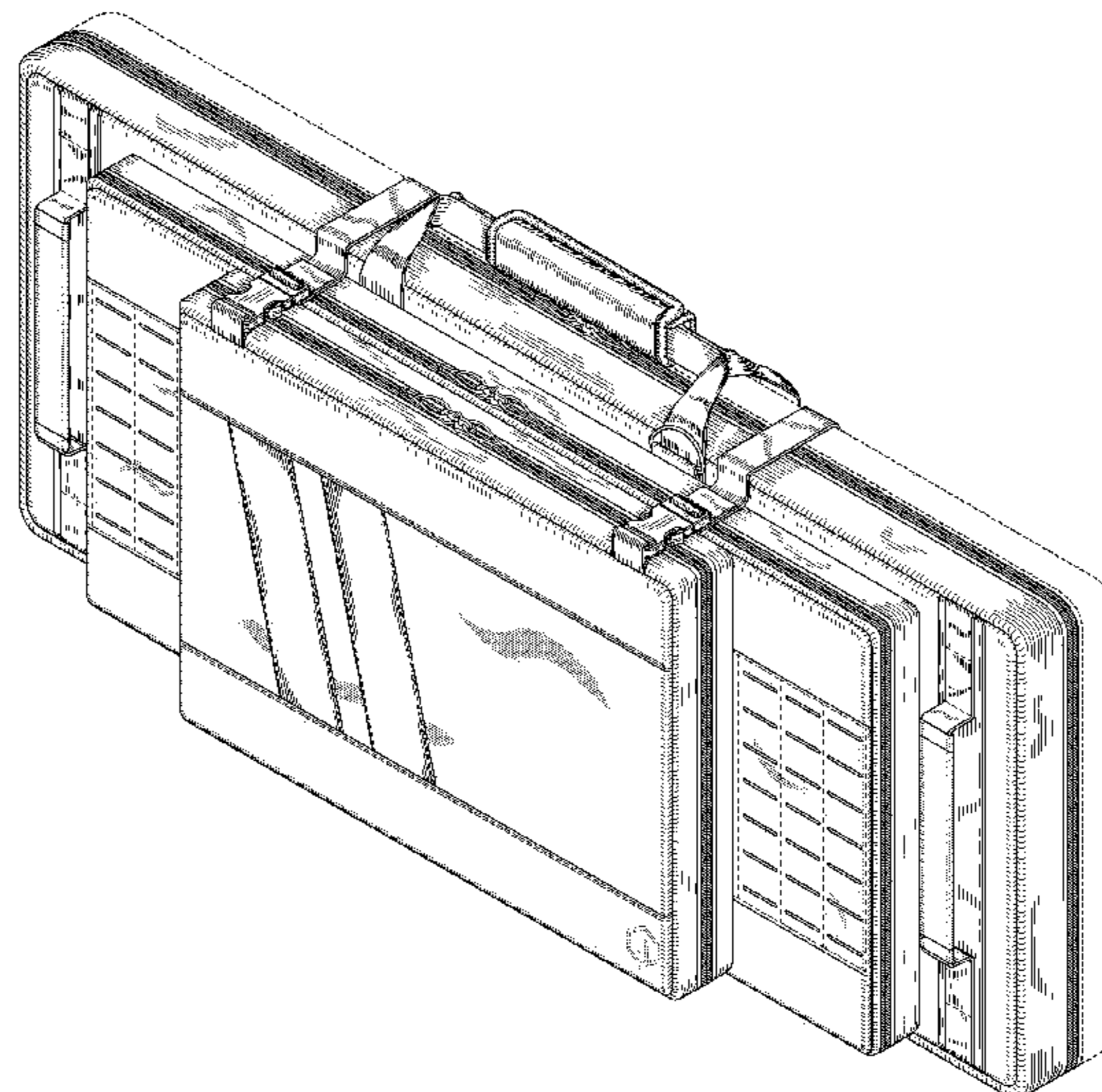
FIG. 1 is an isometric view of a double rifle bag showing my new design.
FIG. 2 is a front elevation view thereof.
FIG. 3 is a rear elevation view thereof.
FIG. 4 is a left side elevation view thereof.
FIG. 5 is a right side elevation view thereof.
FIG. 6 is a top plan view thereof; and,
FIG. 7 is a bottom plan view thereof.
The broken lines shown in the drawing illustrate portions of the double rifle bag, including stitching, and form no part of the claimed design. The design shown is not to be limited to any particular size and may be scaled larger or smaller.
The claimed double rifle bag is characterized by the two diagonal stripes on the cover and can be used to store two rifles and shooting accessories.

1 Claim, 6 Drawing Sheets

(56) **References Cited**

U.S. PATENT DOCUMENTS

- D222,688 S * 11/1971 Canton D3/254
- D284,622 S * 7/1986 Durbin D3/262
- D336,984 S * 7/1993 VanSkiver D3/262
- D758,725 S * 6/2016 Lin D3/254
- D759,375 S * 6/2016 Dolfi D3/262
- D782,192 S * 3/2017 Scranton D3/262
- D852,502 S * 7/2019 Dolfi D3/262
- D853,721 S * 7/2019 Dolfi D3/262
- D870,115 S * 12/2019 Han D14/440



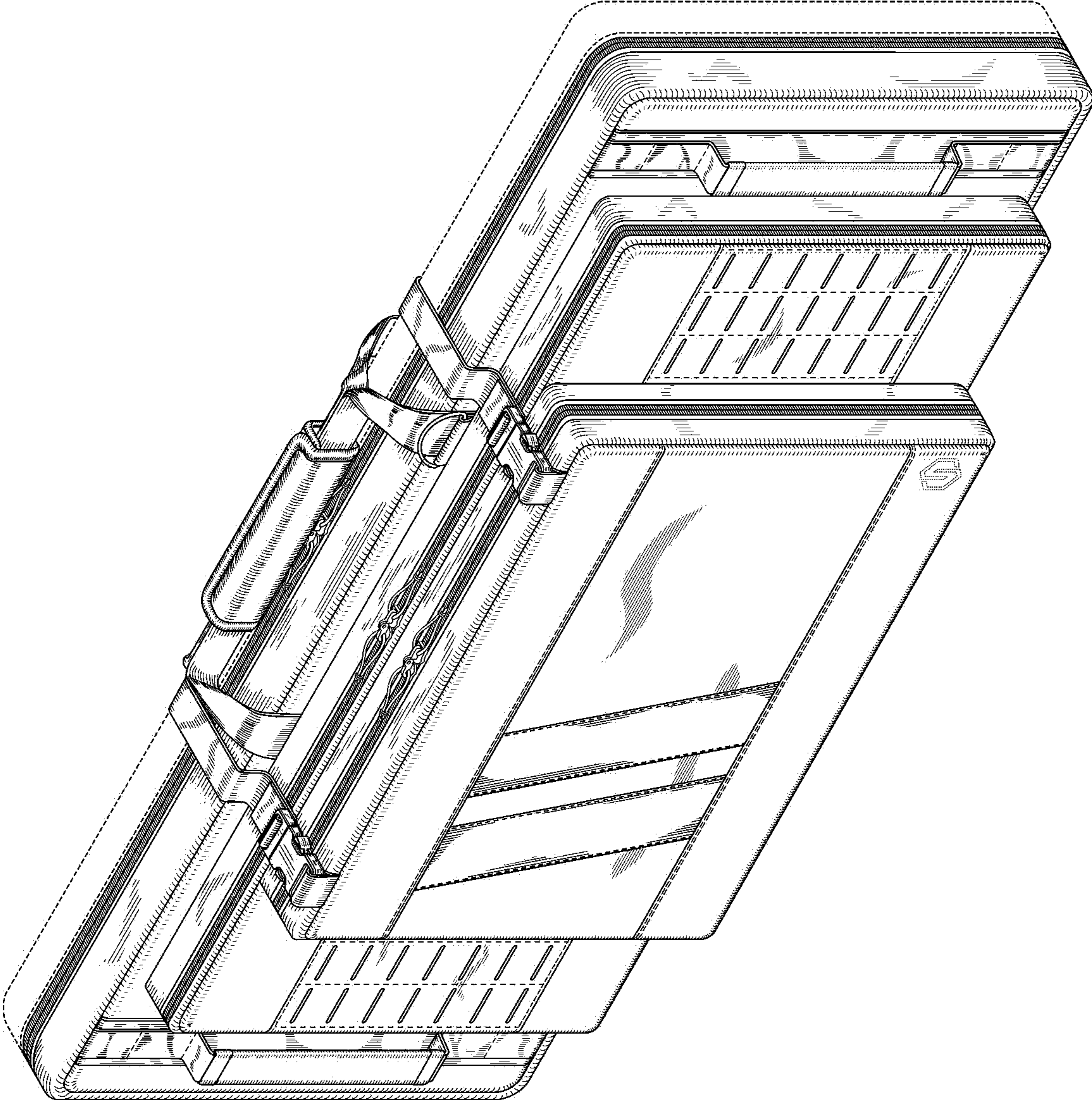


Fig. 1

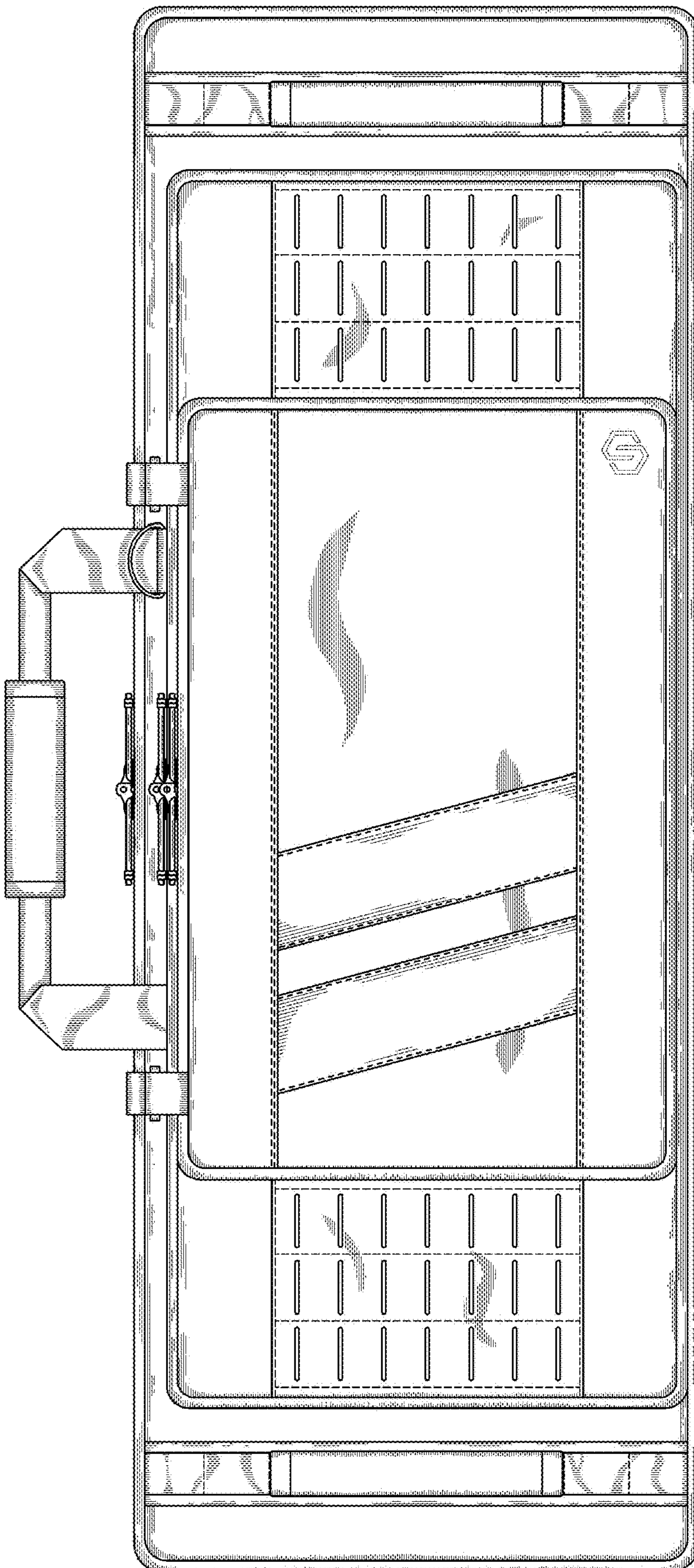


Fig. 2

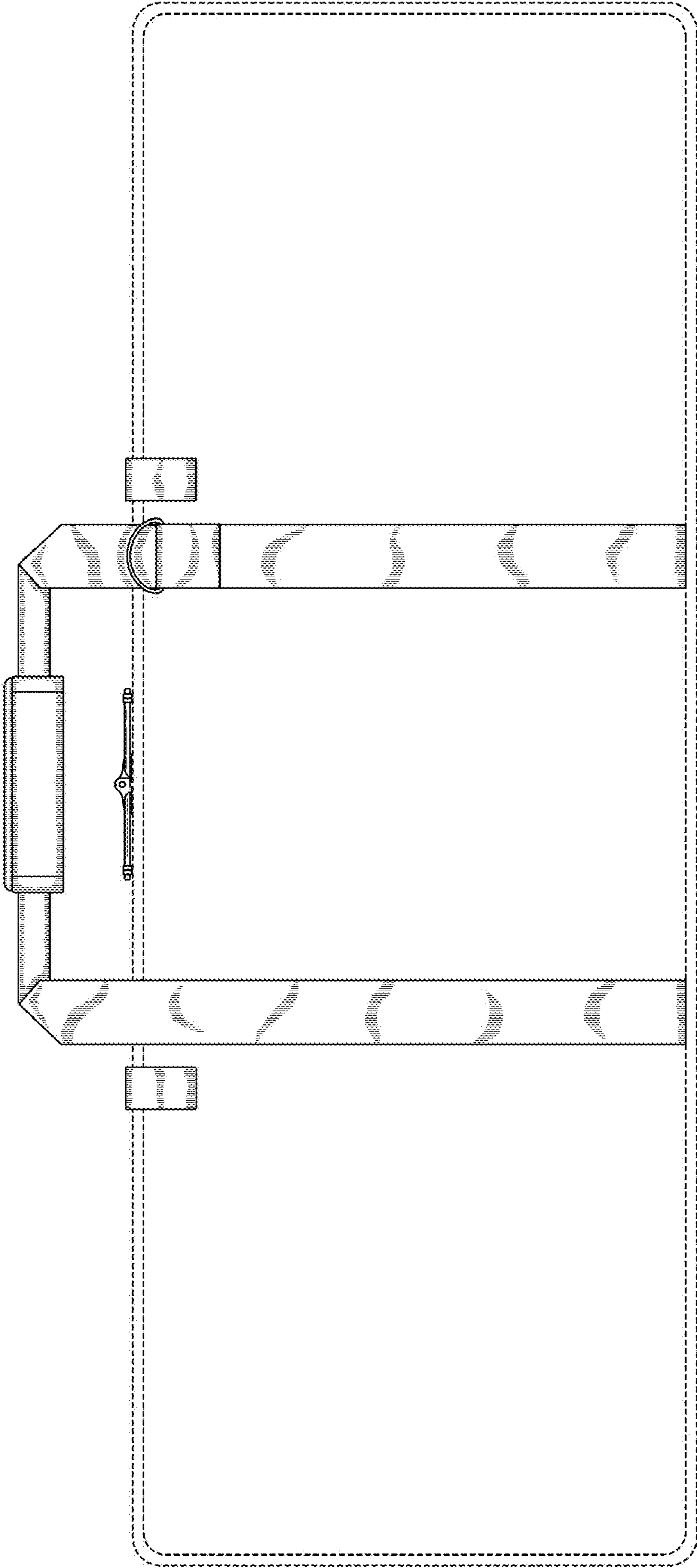


Fig. 3

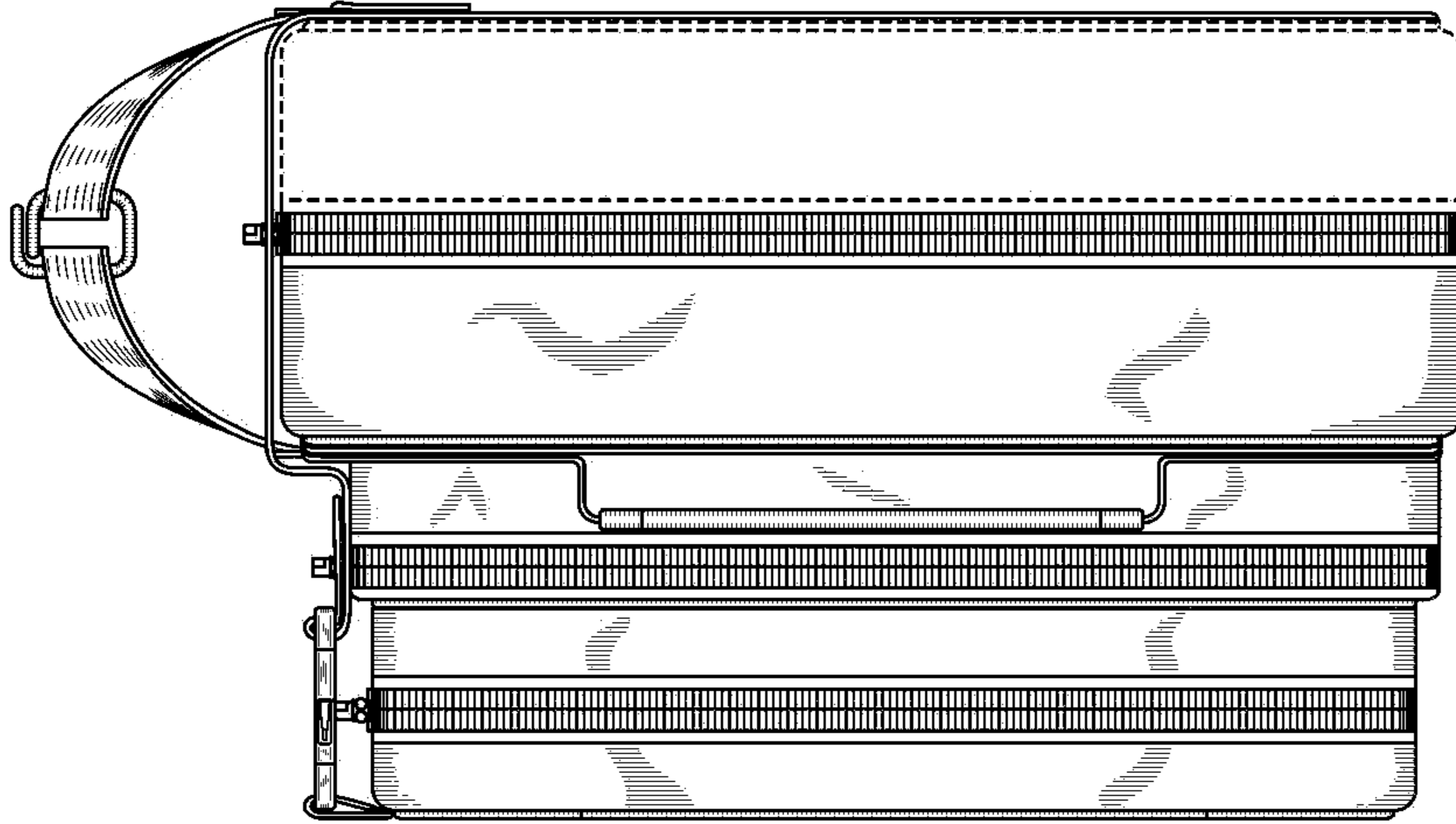


Fig. 5

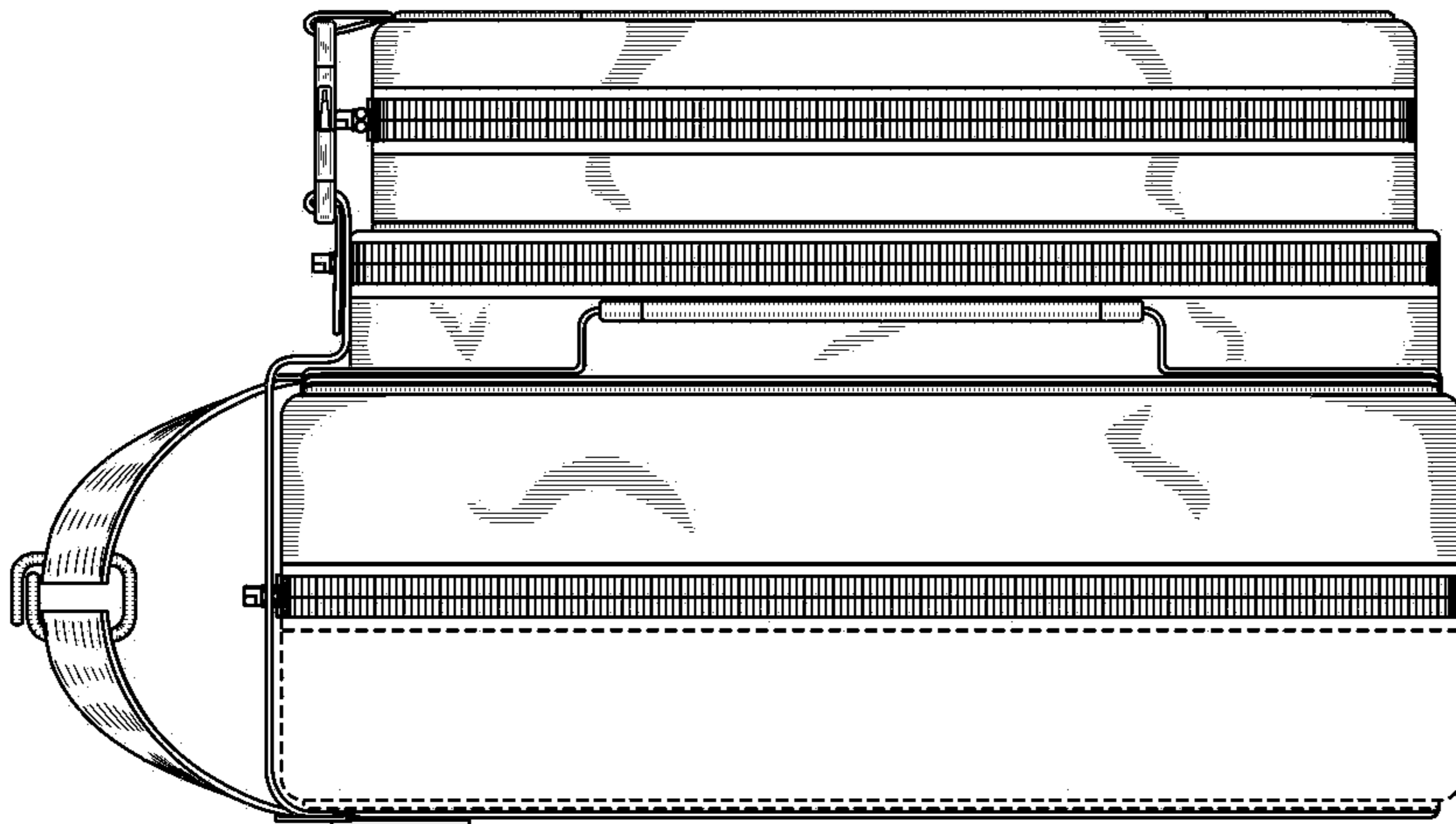


Fig. 4

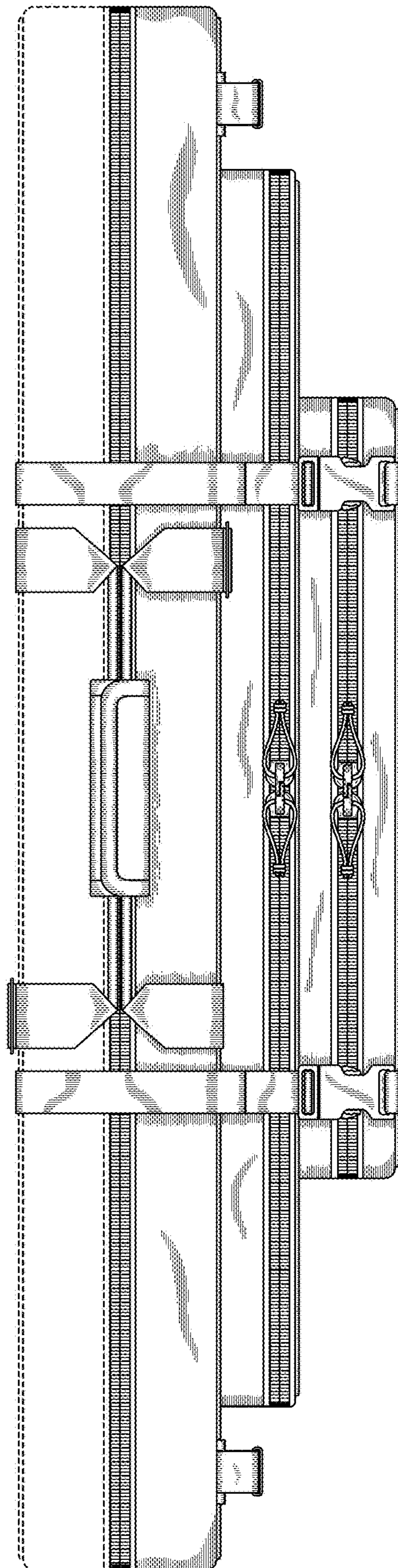


Fig. 6

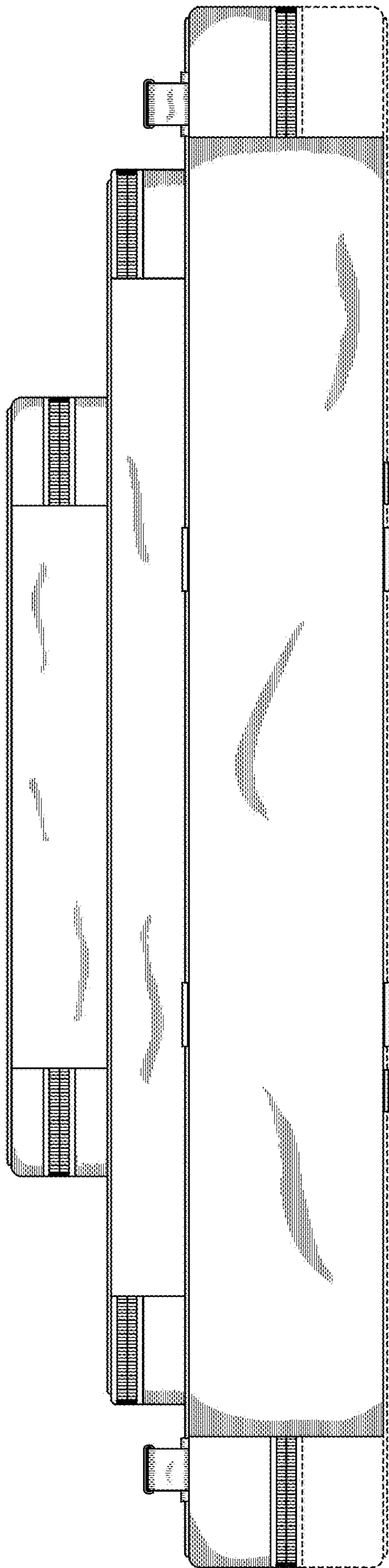


Fig. 7