



US00D932183S

(12) **United States Design Patent**
Yang

(10) **Patent No.:** **US D932,183 S**

(45) **Date of Patent:** **** Oct. 5, 2021**

- (54) **PRECISION RIFLE CASE**
- (71) Applicant: **Zijiang Yang**, Fontana, CA (US)
- (72) Inventor: **Zijiang Yang**, Fontana, CA (US)
- (**) Term: **15 Years**

D759,375 S *	6/2016	Dolfi	D3/262
D852,502 S *	7/2019	Dolfi	D3/262
D888,425 S *	6/2020	Wang	D3/287
D893,180 S *	8/2020	Yang	D3/262
D911,703 S *	3/2021	Yang	D3/262

- (21) Appl. No.: **29/720,026**
- (22) Filed: **Jan. 9, 2020**
- (51) **LOC (13) Cl.** **03-01**
- (52) **U.S. Cl.**
USPC **D3/262; D3/283; D3/289**
- (58) **Field of Classification Search**
USPC D3/215–217, 221–222, 224–228,
D3/230–233, 242–246, 254, 259–260,
D3/262, 273, 276, 283–291, 299, 301,
D3/303, 315, 321–322, 904–905;
D22/149–150
CPC A01K 97/06; A45C 1/024; A45C 3/00;
A45C 3/04; A45C 3/06; A45C 3/08;
A45C 3/10; A45C 5/00; A45C 5/005;
A45C 5/06; A45C 7/00; A45C 7/0063;
A45C 7/0077; A45C 11/00; A45C 11/20;
A45C 13/02; A45C 13/08; A45C 13/083;
A45C 13/26; A45C 13/1046; A45C
15/00; A45F 3/02; A45F 3/04; A45F
3/047; A45F 3/08; A45F 3/14; A45F
4/02; A45F 2200/0525
See application file for complete search history.

OTHER PUBLICATIONS

Savior Equipment Specialist Series 51" 55" Discreet Tactical Long Range Precision Sniper Rifle Bag . . . , first available Apr. 4, 2020, amazon.com [online], [site visited Jun. 28, 2021], Available at internet URL: <https://www.amazon.com/Savior-Equipment-Specialist-Discreet-Precision/dp/B086RGFCFM> (Year: 2020).*

* cited by examiner

Primary Examiner — Jeffrey D Asch
Assistant Examiner — Caitlin A Laverty

(57) **CLAIM**

I claim the ornamental design for a precision rifle case, as shown and described.

DESCRIPTION

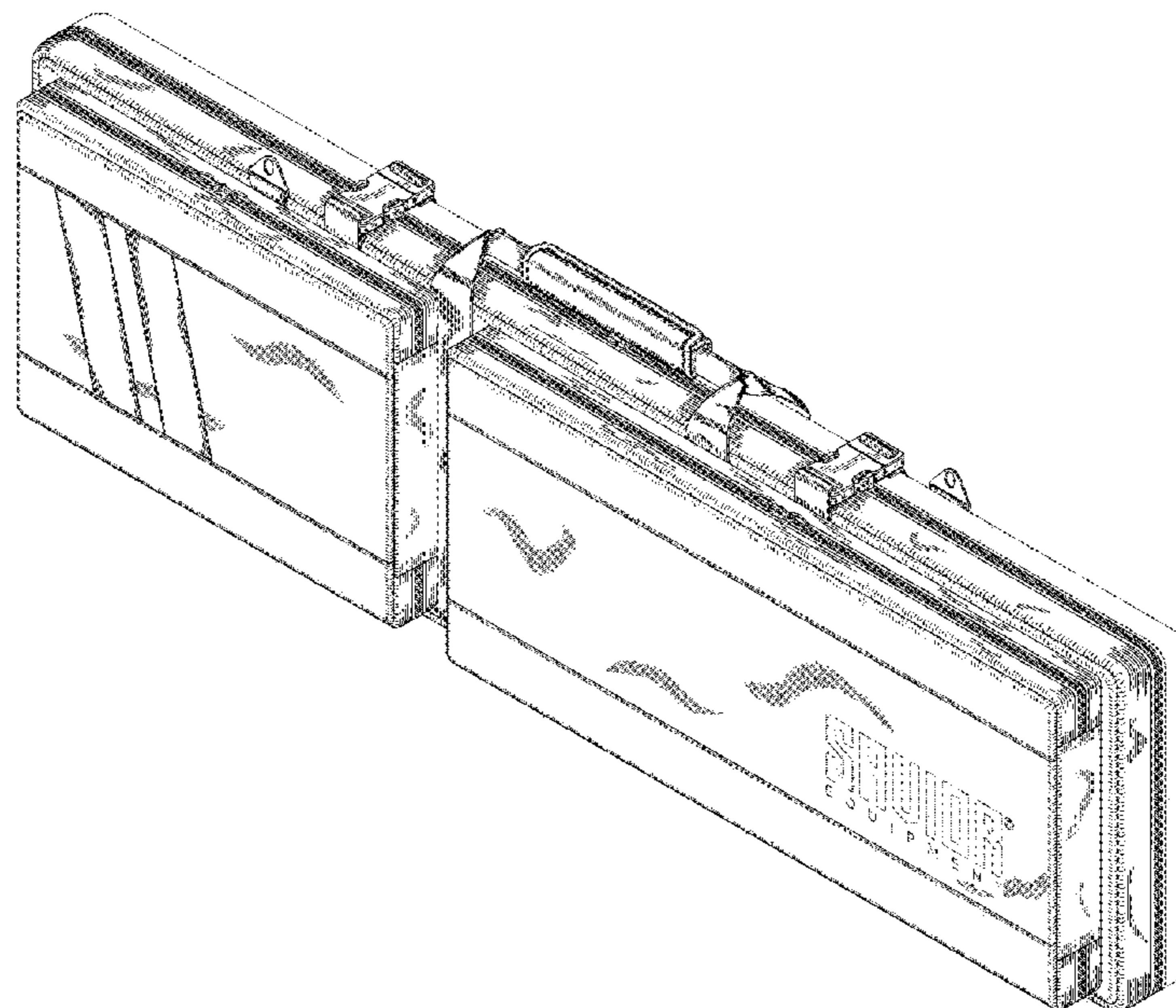
FIG. 1 is an isometric view of a precision rifle case showing my new design.
 FIG. 2 is a front elevation view thereof.
 FIG. 3 is a rear elevation view thereof.
 FIG. 4 is a left side elevation view thereof.
 FIG. 5 is a right side elevation view thereof.
 FIG. 6 is a top plan view thereof; and,
 FIG. 7 is a bottom plan view thereof.
 The broken lines shown in the drawing illustrate portions of the precision rifle case, including stitching, and form no part of the claimed design.
 The claimed precision rifle case can be used to store a precision rifle and shooting accessories.
 The "Savior Equipment" logo forming part of the disclosure is a registered trademark of Eosen, Inc.

(56) **References Cited**

U.S. PATENT DOCUMENTS

D222,688 S *	11/1971	Canton	D3/254
D284,622 S *	7/1986	Durbin	D3/262
D423,779 S *	5/2000	Goatcher	D3/283
D426,702 S *	6/2000	Yen	D3/218
D758,725 S *	6/2016	Lin	D3/254

1 Claim, 6 Drawing Sheets



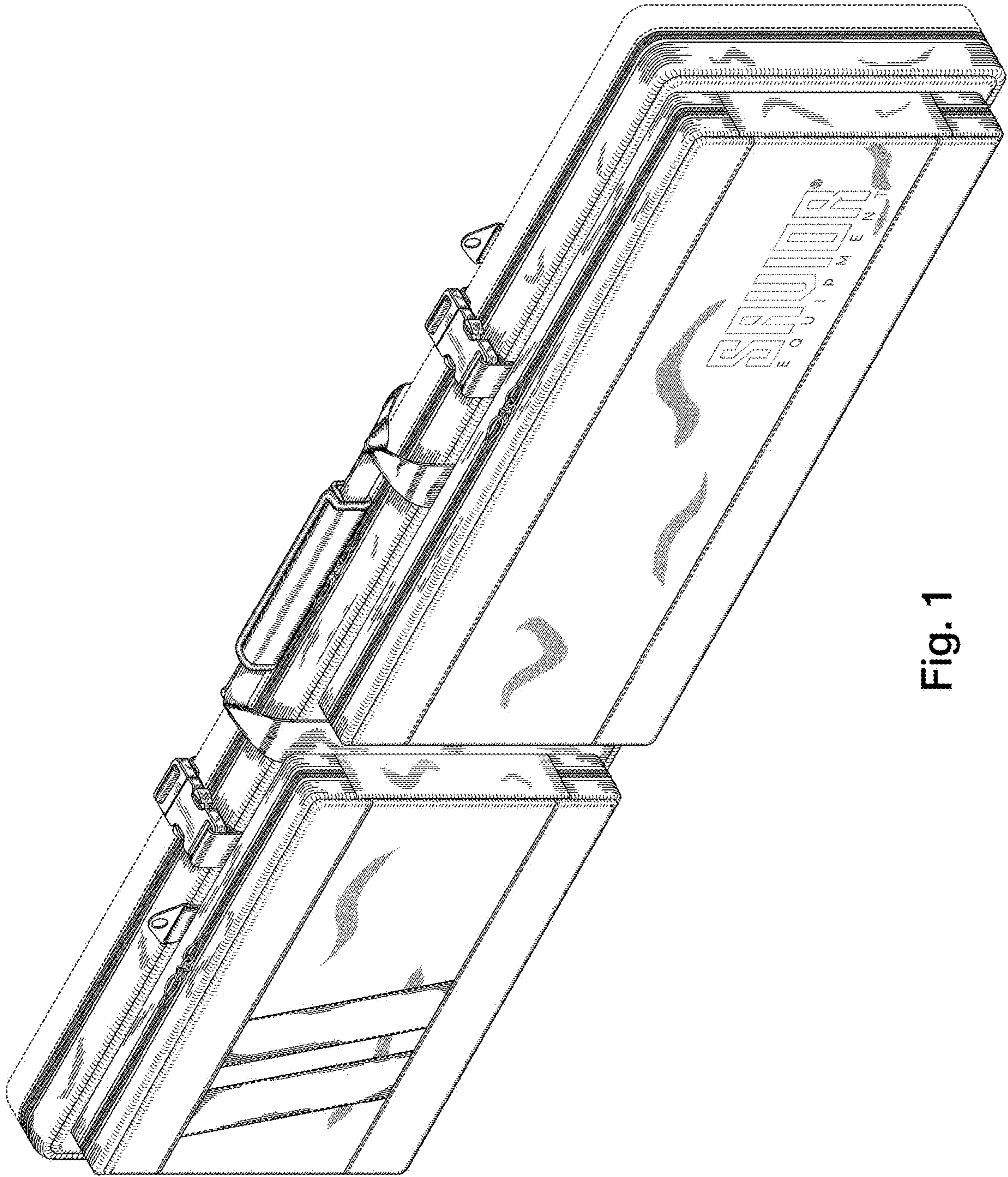


Fig. 1

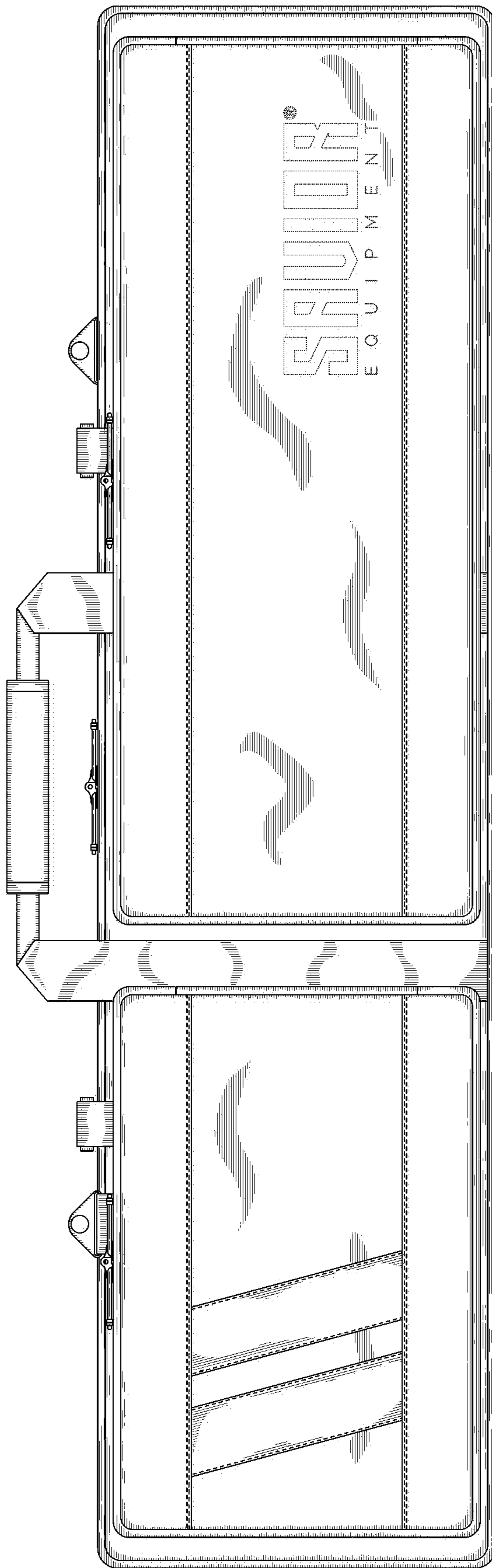


Fig. 2

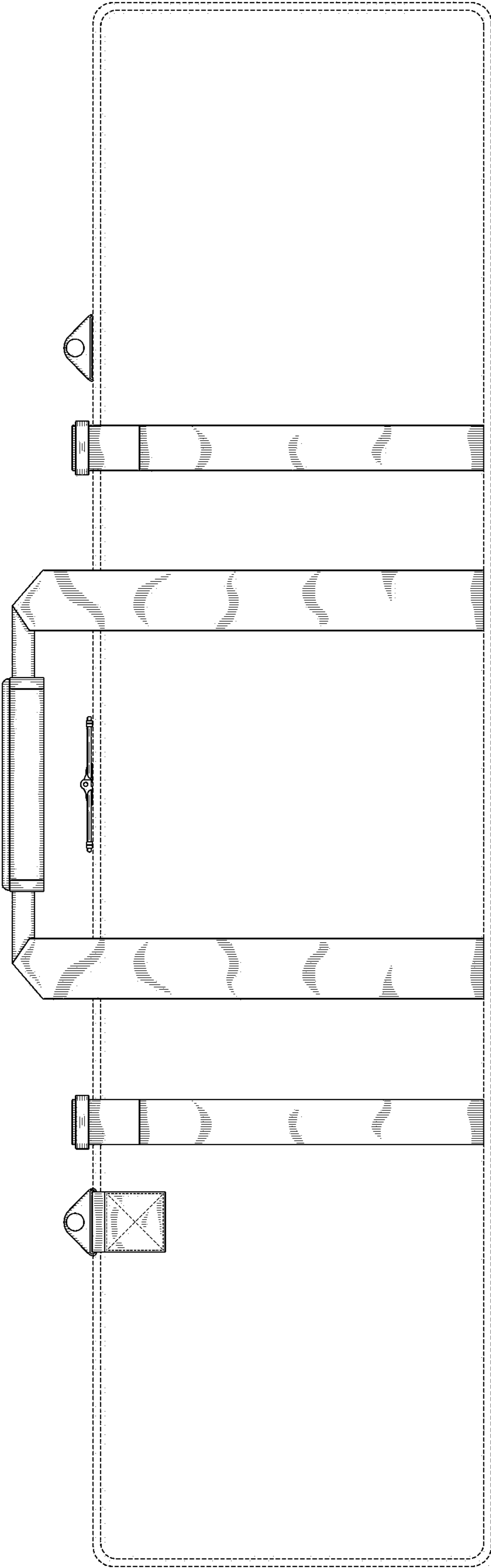


Fig. 3

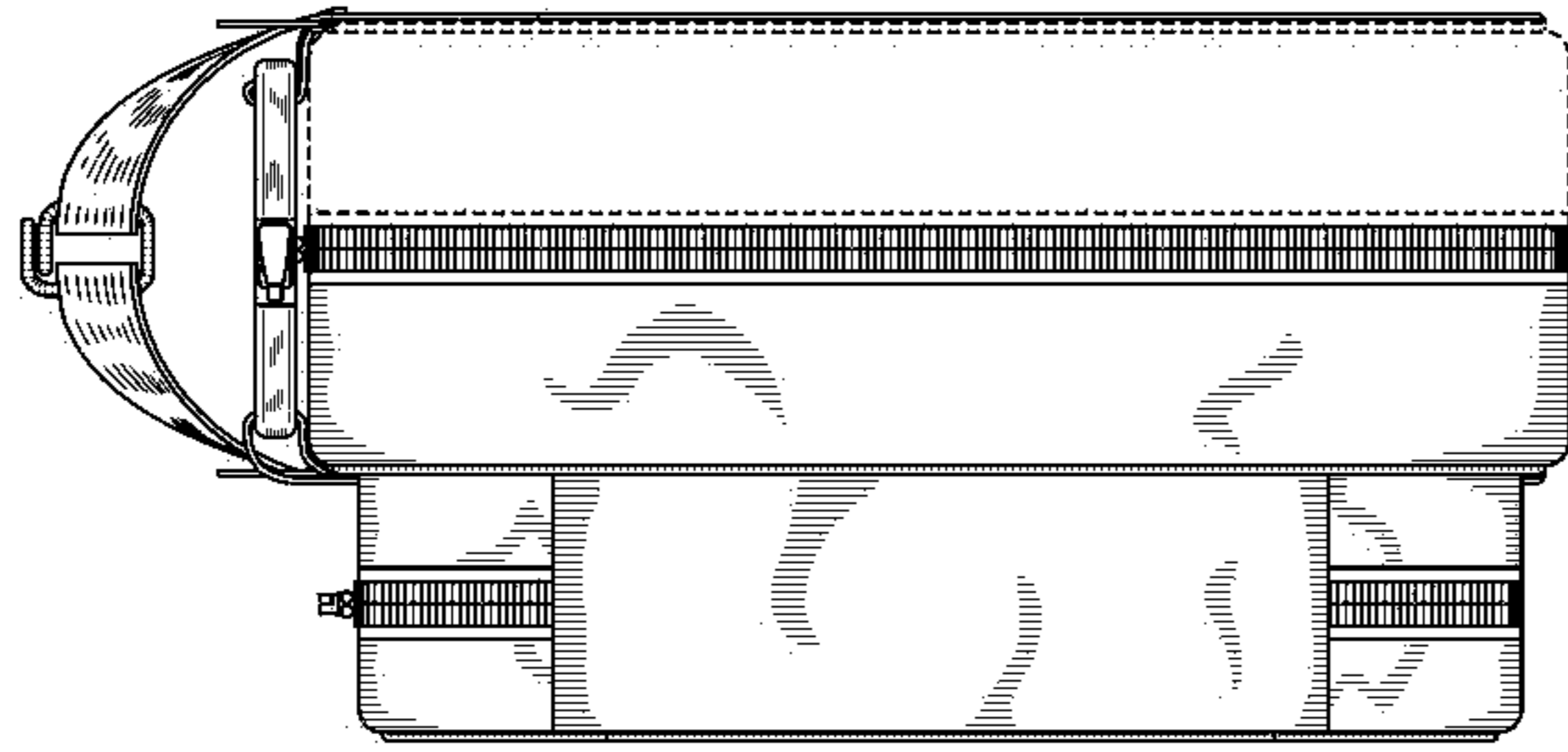


Fig. 5

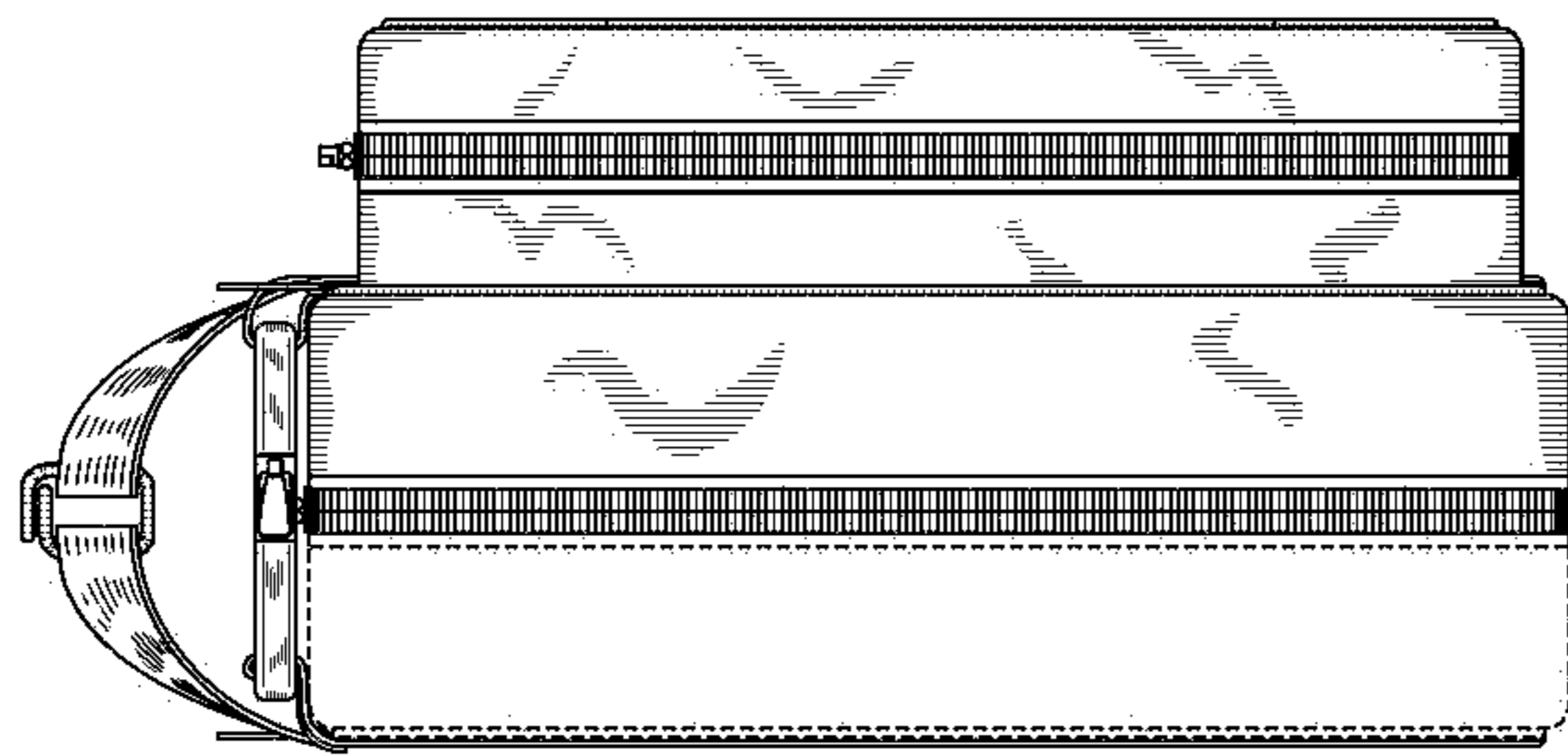


Fig. 4

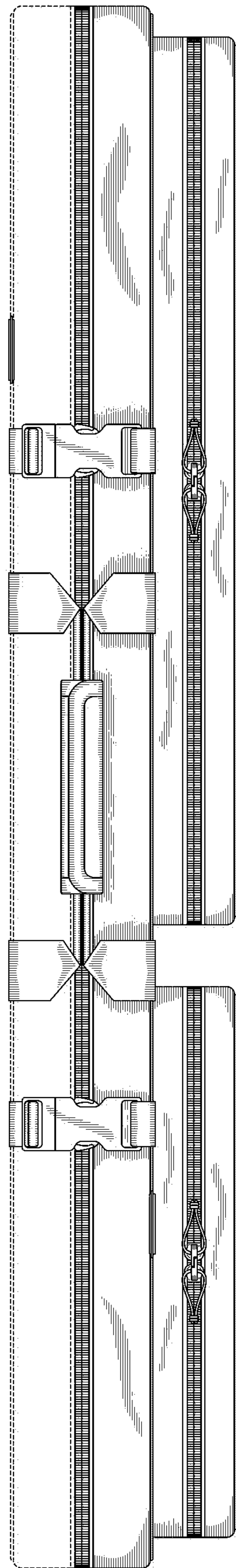


Fig. 6

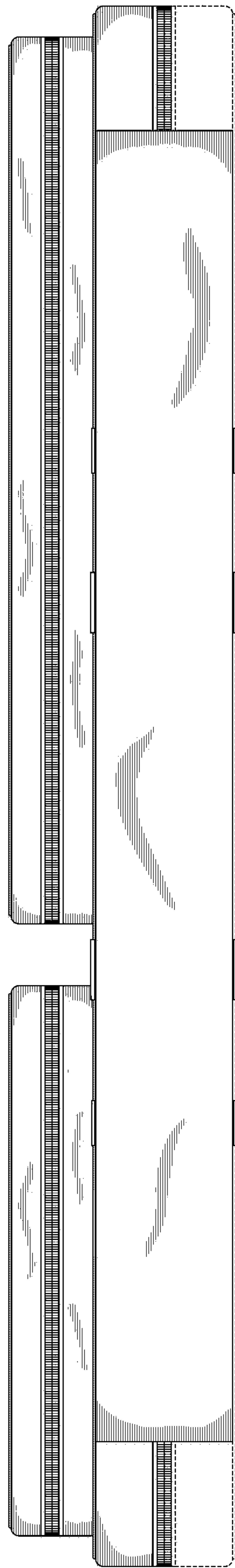


Fig. 7