



US00D932182S

(12) **United States Design Patent** (10) **Patent No.:** **US D932,182 S**  
**Foy** (45) **Date of Patent:** **\*\* Oct. 5, 2021**

(54) **CARD HOLDER**  
(71) Applicant: **Tod L. Foy**, Elyria, OH (US)  
(72) Inventor: **Tod L. Foy**, Elyria, OH (US)  
(\*\*) Term: **15 Years**  
(21) Appl. No.: **29/718,318**  
(22) Filed: **Dec. 23, 2019**  
(51) **LOC (13) Cl.** ..... **03-01**  
(52) **U.S. Cl.**  
USPC ..... **D3/247**  
(58) **Field of Classification Search**  
USPC ..... D3/212, 227, 247-253, 300, 303;  
D8/395; D11/78.1; D19/86; D20/27,  
D20/43; D21/394  
CPC ..... A45C 11/182; A45C 2001/065; A45C  
2001/067; A45C 2001/083; G09F 3/207;  
A44C 3/001  
See application file for complete search history.

(56) **References Cited**  
U.S. PATENT DOCUMENTS  
D155,927 S \* 11/1949 Rothkrug ..... D11/78.1  
D317,983 S \* 7/1991 Gilbreath ..... D3/247  
D363,453 S \* 10/1995 Herdt ..... D11/78.1  
D372,358 S \* 8/1996 Mathison ..... D11/78.1  
D505,355 S \* 5/2005 Elnekaveh ..... D11/78.1  
D667,220 S \* 9/2012 Fair ..... D3/299  
D683,540 S \* 6/2013 Phillips ..... D3/303  
D759,475 S \* 6/2016 Banno ..... D8/395  
D780,449 S \* 3/2017 King ..... D3/247

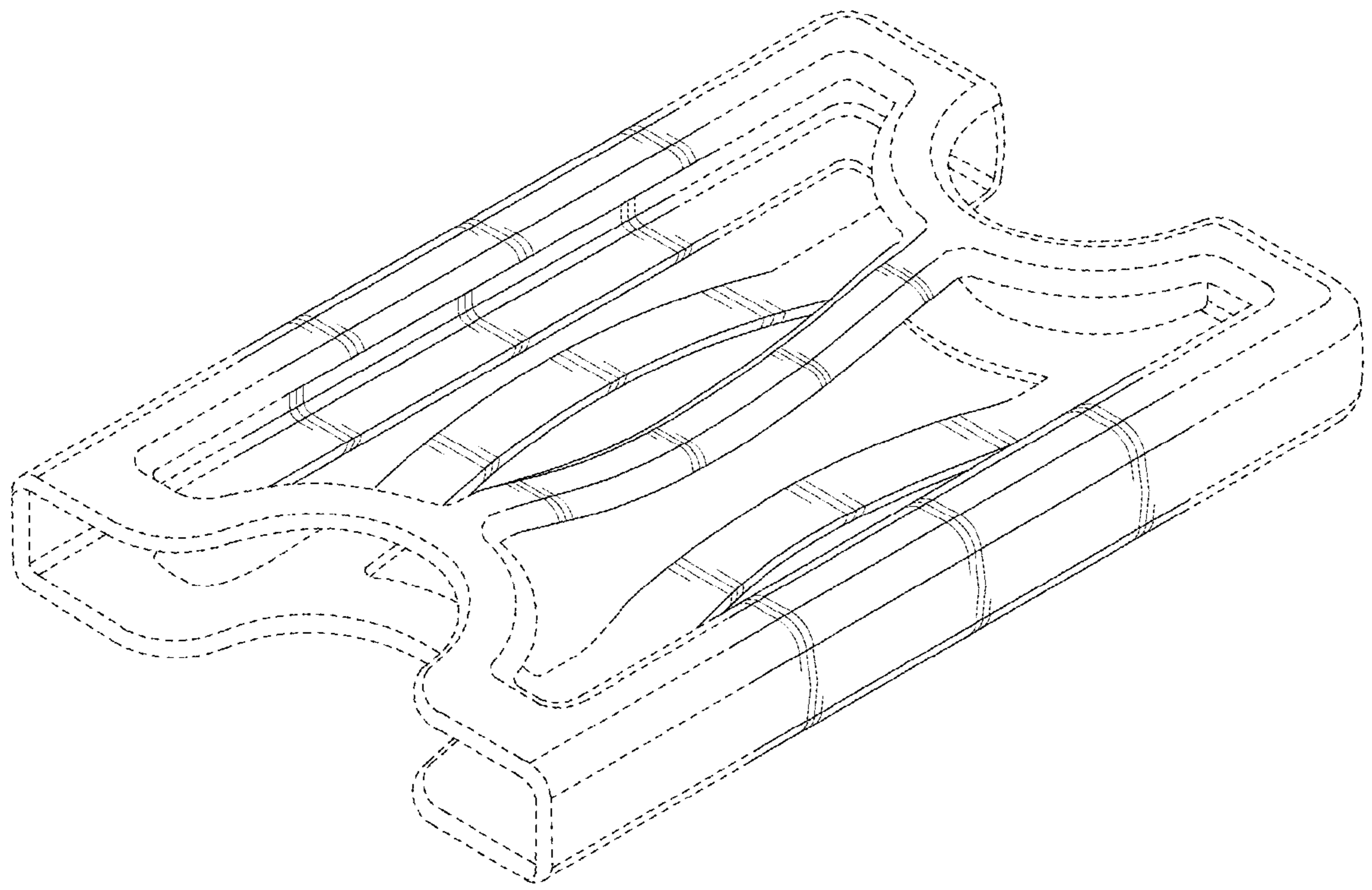
10,080,409 B2 \* 9/2018 King ..... A45C 1/06  
D831,349 S \* 10/2018 Deng ..... D3/247  
D877,513 S \* 3/2020 Duncan ..... D3/318  
D878,039 S \* 3/2020 Cantoli-Alves ..... D3/247  
D884,339 S \* 5/2020 Li ..... D3/247  
D887,708 S \* 6/2020 Tran ..... D3/247  
2010/0038000 A1 \* 2/2010 Ho ..... A45C 11/182  
150/147  
2015/0059936 A1 \* 3/2015 Singer ..... A45C 13/023  
150/138  
2020/0163424 A1 \* 5/2020 Mayer ..... B42F 7/06  
\* cited by examiner

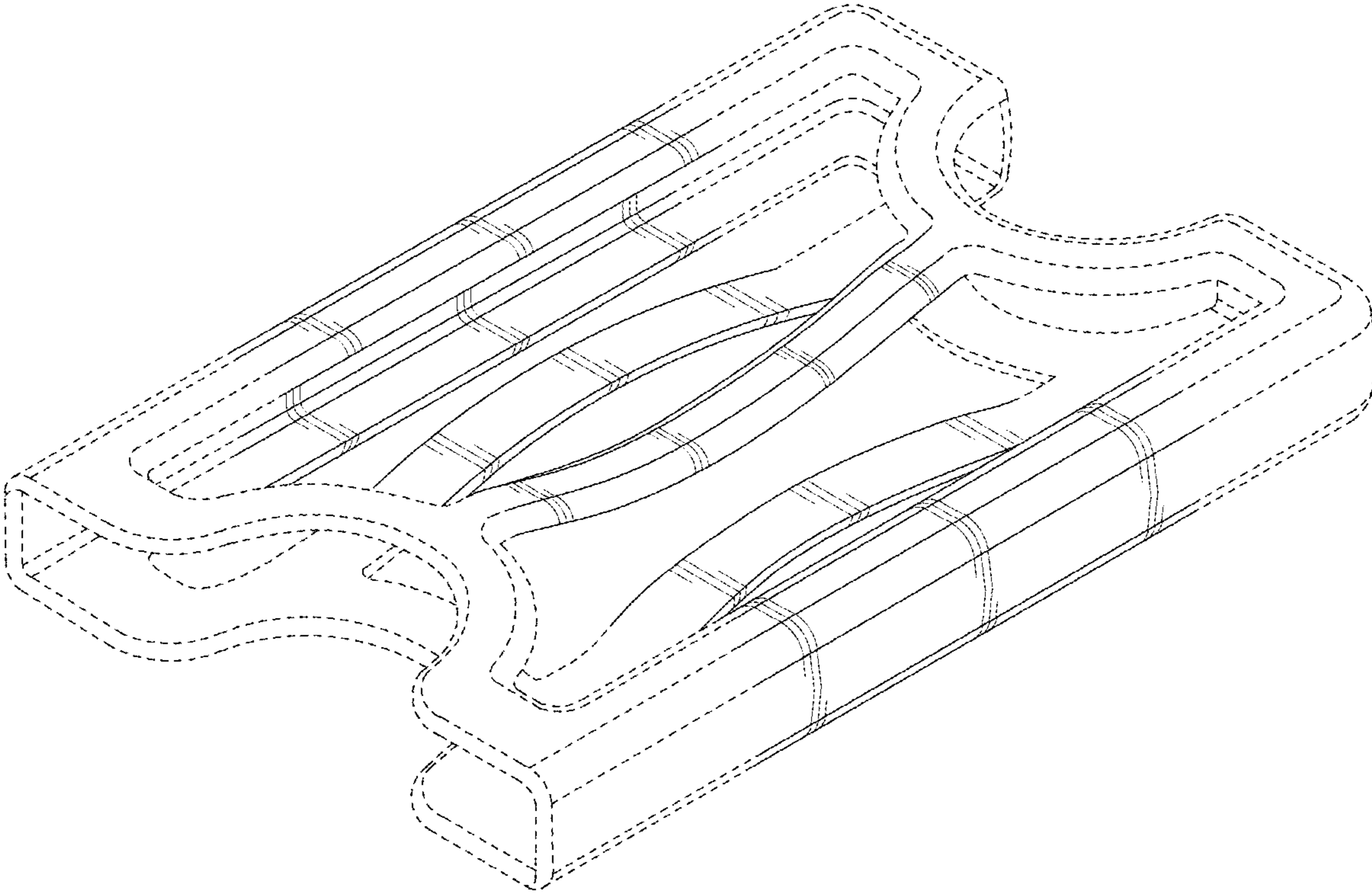
*Primary Examiner* — Jennifer L Watkins  
*Assistant Examiner* — Samantha Lynne Brodowski  
(74) *Attorney, Agent, or Firm* — Calfee, Halter & Griswold LLP

(57) **CLAIM**  
I claim the ornamental design for a card holder, as shown and described.

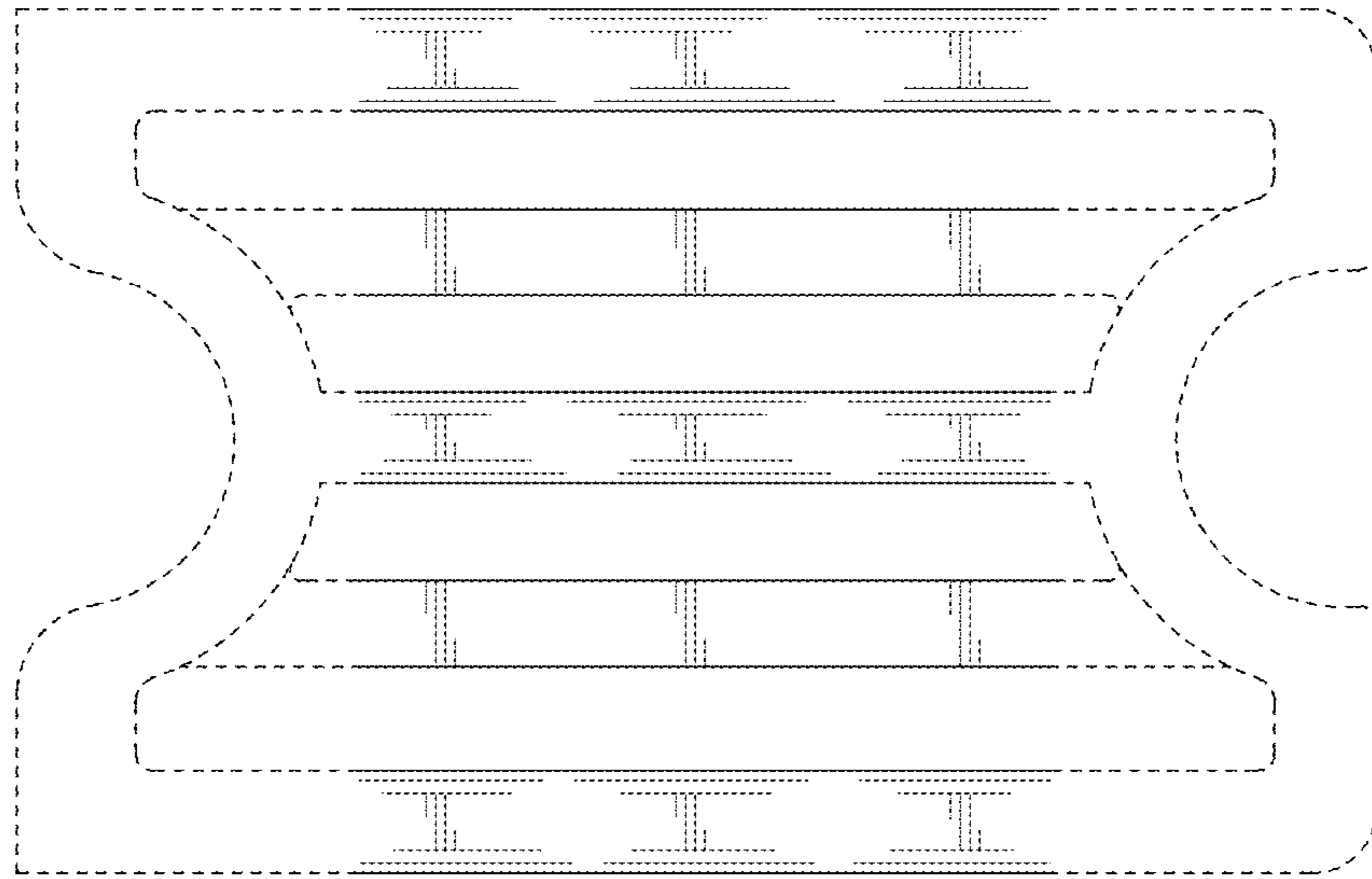
**DESCRIPTION**  
FIG. 1 is an upper perspective view of a card holder showing my new design;  
FIG. 2 is a top plan view thereof;  
FIG. 3 is a bottom plan view thereof;  
FIG. 4 is a right side elevational view thereof;  
FIG. 5 is a left side elevational view thereof;  
FIG. 6 is a front elevational view thereof; and,  
FIG. 7 is a rear elevational view thereof.  
The portions of the article shown in short broken lines form no part of the claimed design.

**1 Claim, 3 Drawing Sheets**

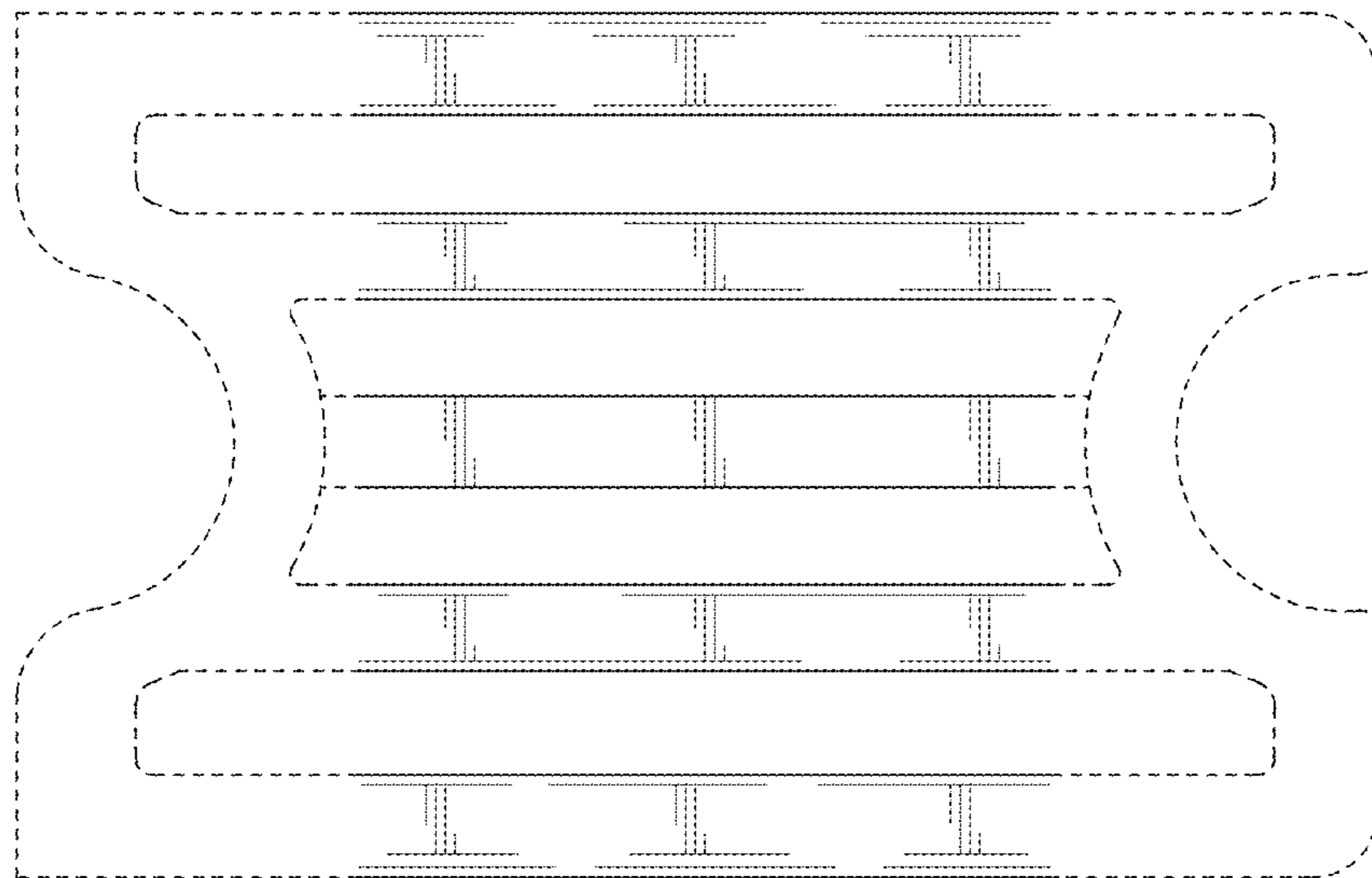




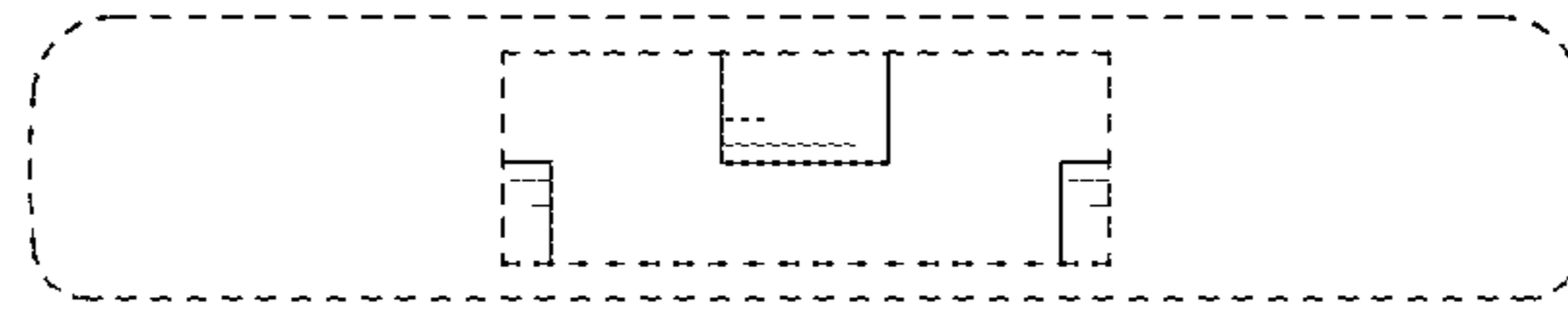
**FIG. 1**



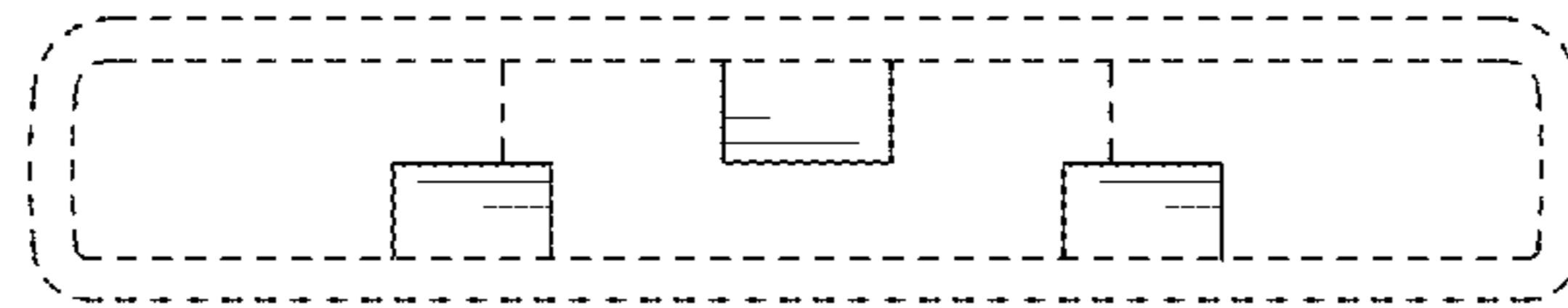
**FIG. 2**



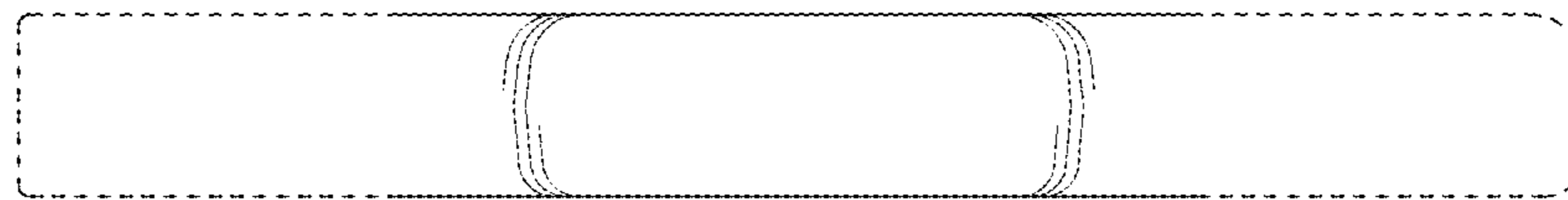
**FIG. 3**



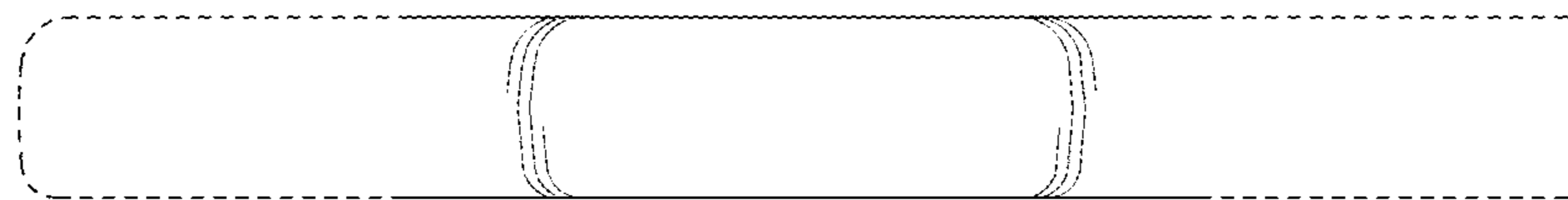
**FIG. 4**



**FIG. 5**



**FIG. 6**



**FIG. 7**