



US00D932177S

(12) **United States Design Patent** (10) **Patent No.:** **US D932,177 S**
Tomasson et al. (45) **Date of Patent:** **** Oct. 5, 2021**

(54) **CLASP FOR HOLDING A KEYFOB IN A VEHICLE**

(71) Applicant: **NIO (ANHUI) HOLDING CO., LTD.**, Hefei (CN)

(72) Inventors: **Kris Tomasson**, Hong Kong (HK); **Jochen Paesen**, Hong Kong (HK); **Julien Cueff**, Hong Kong (HK)

(73) Assignee: **NIO (ANHUI) HOLDING CO., LTD.**, Hefei (CN)

(**) Term: **15 Years**

(21) Appl. No.: **29/614,980**

(22) Filed: **Aug. 24, 2017**

(30) **Foreign Application Priority Data**

Mar. 16, 2017 (CN) 201730077624.8
Mar. 16, 2017 (EM) 003802628

(51) **LOC (13) Cl.** **03-01**

(52) **U.S. Cl.**
USPC **D3/207**; D8/343
CPC **B61B 1/00** (2013.01)

(58) **Field of Classification Search**

USPC D3/207-213; D8/43, 99, 100, 105, 107, D8/343; D10/64, 104; D19/121, 84, 98, D19/123, 135, 157, 81, 83; D11/1-2, 14, D11/26-29, 89-92, 44, 81, 99; 63/22-28, 63/32; 70/456 B, 408, 457, 458, 456 R; 206/31.1; 34/3.6
CPC B26B 1/00; B26B 1/02; B26B 1/04; B26B 1/08; B26B 11/00; B26B 11/001; B26B 11/005; B26B 11/006; H04B 1/034; F04B 15/00; A44B 15/00; A46B 5/02; G06F 3/033; G06F 3/041; G08C 21/00

See application file for complete search history.

(56) **References Cited**

U.S. PATENT DOCUMENTS

3,955,725	A *	5/1976	Rese	A45F 5/00
				224/194
5,816,401	A *	10/1998	Vasudeva	B25H 3/003
				206/377
6,260,749	B1 *	7/2001	Horovitz	A45F 5/02
				206/5
6,290,112	B1 *	9/2001	Iver	A44B 11/266
				224/197
6,874,342	B1 *	4/2005	Batista	A45C 11/32
				70/456 B
D614,427	S *	4/2010	Nejad	D6/553
D624,305	S *	9/2010	Downes	D3/207
D677,048	S *	3/2013	Du	D3/207
D677,959	S *	3/2013	Davis	D6/559
D679,927	S *	4/2013	Davis	D6/559
9,889,776	B1 *	2/2018	Turnbo	B60Q 9/00
D850,098	S *	6/2019	Haarburger	D3/207
2011/0068018	A1 *	3/2011	Killeen	A45C 11/32
				206/37.4

(Continued)

Primary Examiner — Richard E Chilcot
(74) *Attorney, Agent, or Firm* — Sheridan Ross P.C.

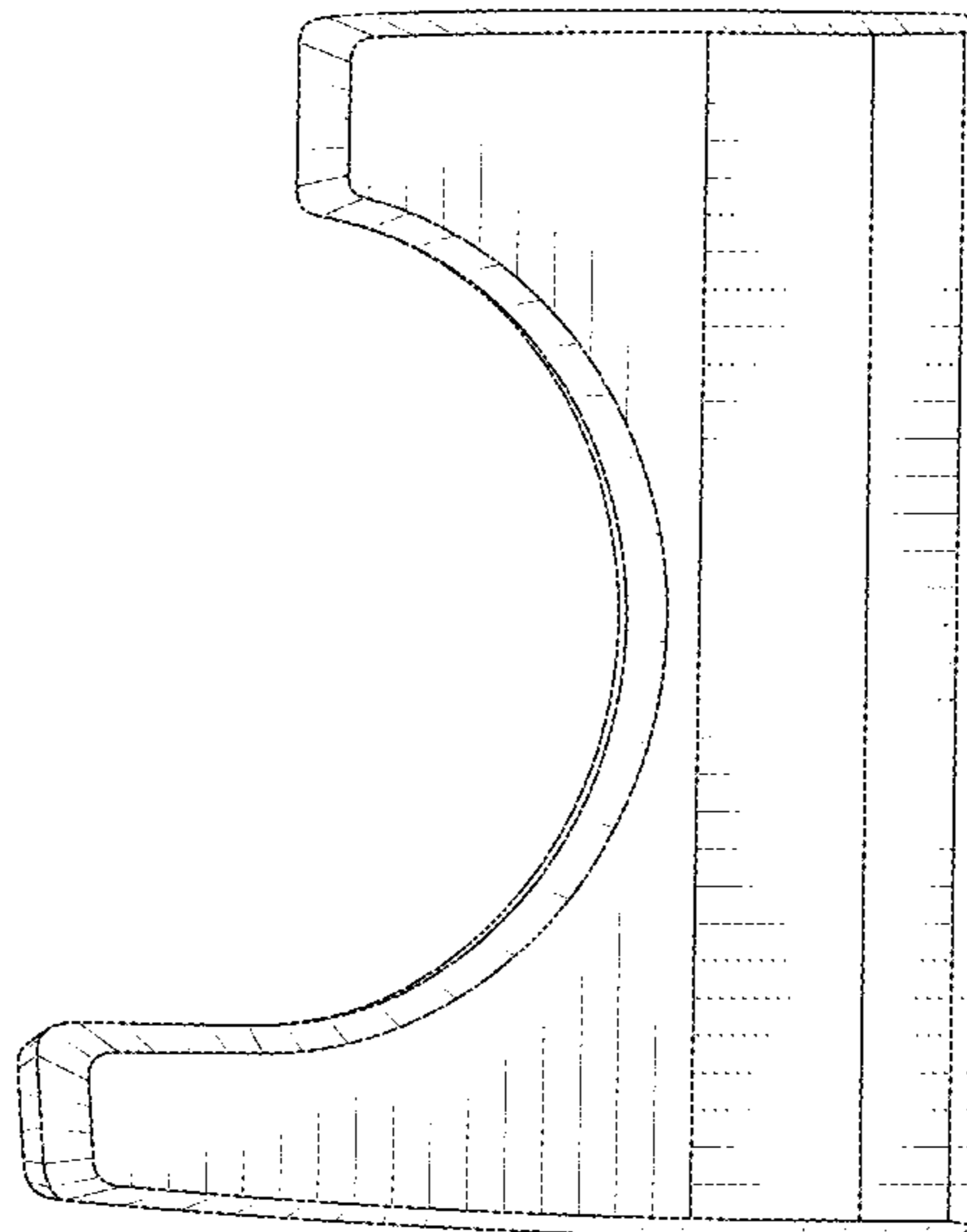
(57) **CLAIM**

The ornamental design for a clasp for holding a keyfob in a vehicle, as shown and described.

DESCRIPTION

FIG. 1 is a front view thereof;
FIG. 2 is a perspective top front view thereof
FIG. 3 is a perspective rear bottom view thereof;
FIG. 4 is a rear view thereof;
FIG. 5 is a right side view thereof;
FIG. 6 is a left side view thereof;
FIG. 7 is a perspective view thereof;
FIG. 8 is a perspective view thereof; and,
FIG. 9 is a perspective view thereof.
The broken lines are directed to environment and are for illustrative purposes only; the broken lines form no part of the claimed design.

1 Claim, 8 Drawing Sheets



(56)

References Cited

U.S. PATENT DOCUMENTS

2014/0190221 A1* 7/2014 Jiang G09F 3/14
70/57
2019/0345735 A1* 11/2019 Melikian A45C 11/32

* cited by examiner

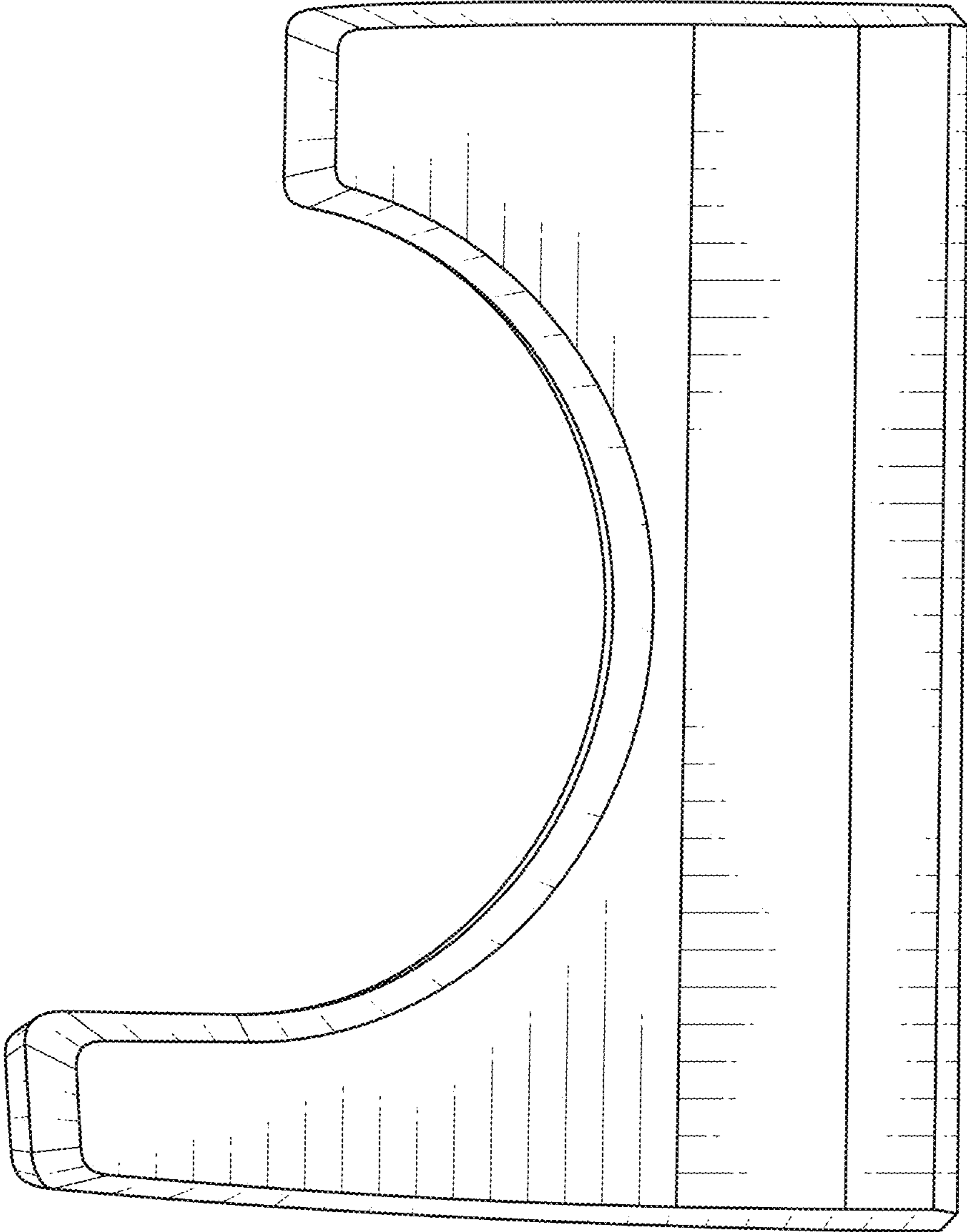


FIG. 1

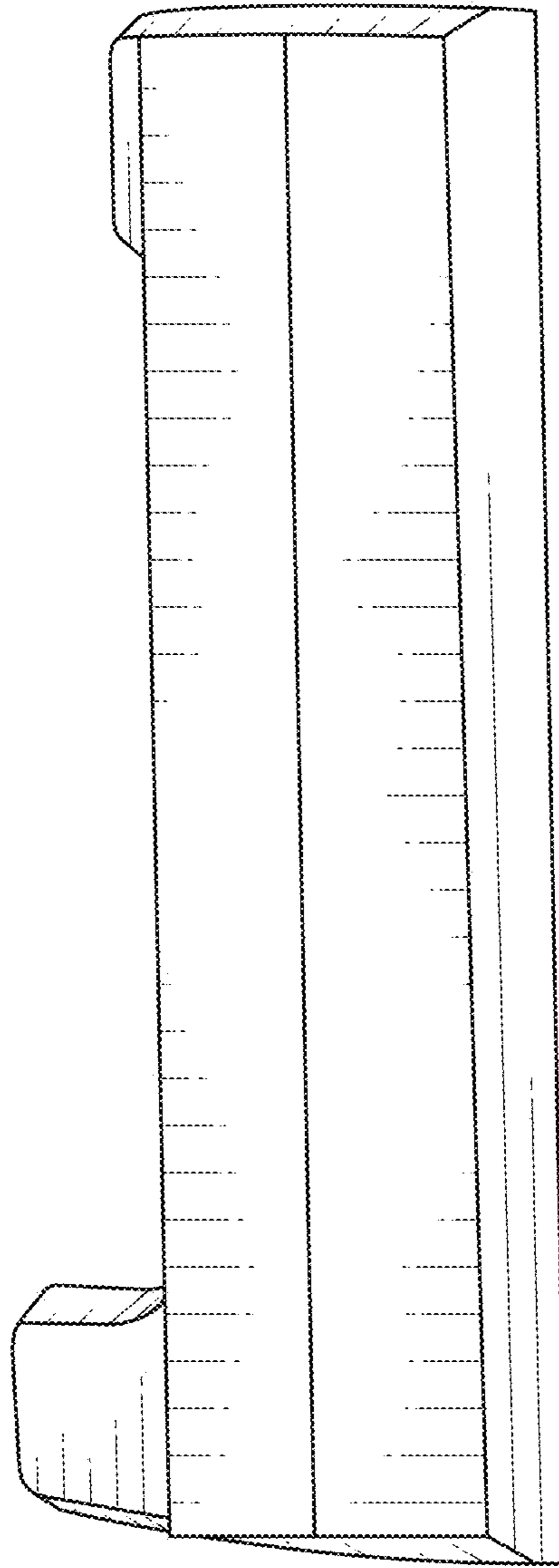


FIG. 2

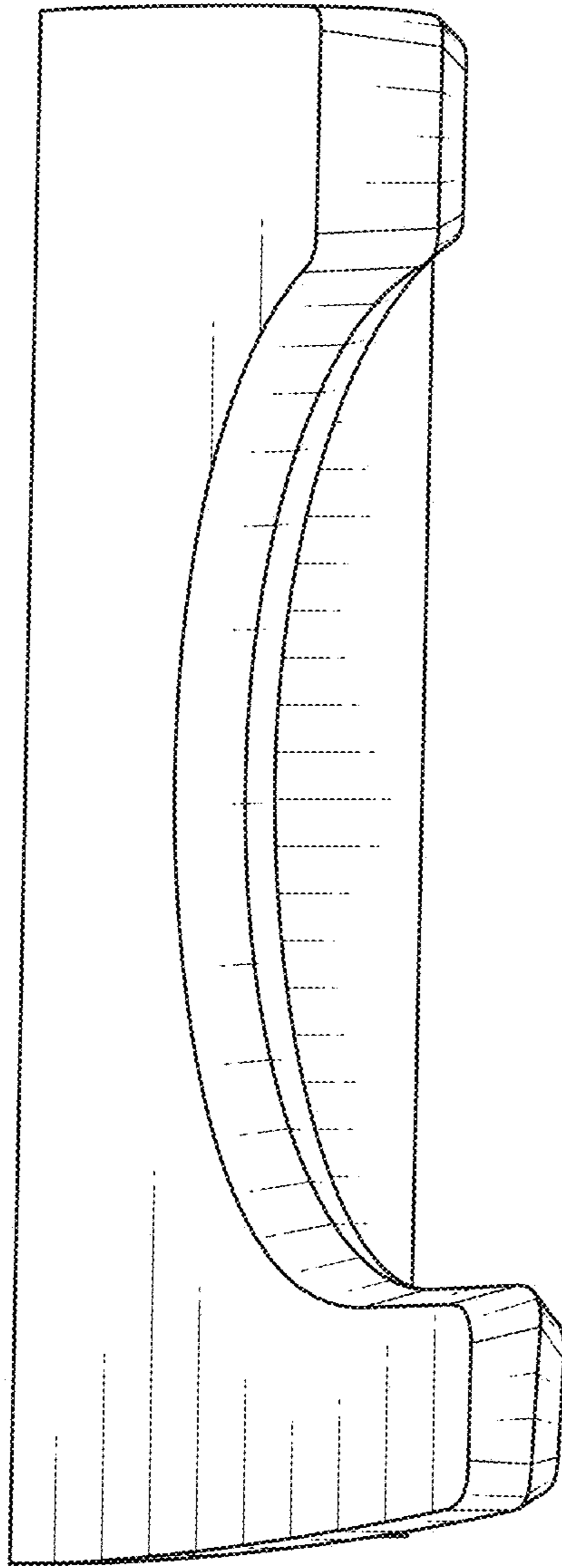


FIG. 3

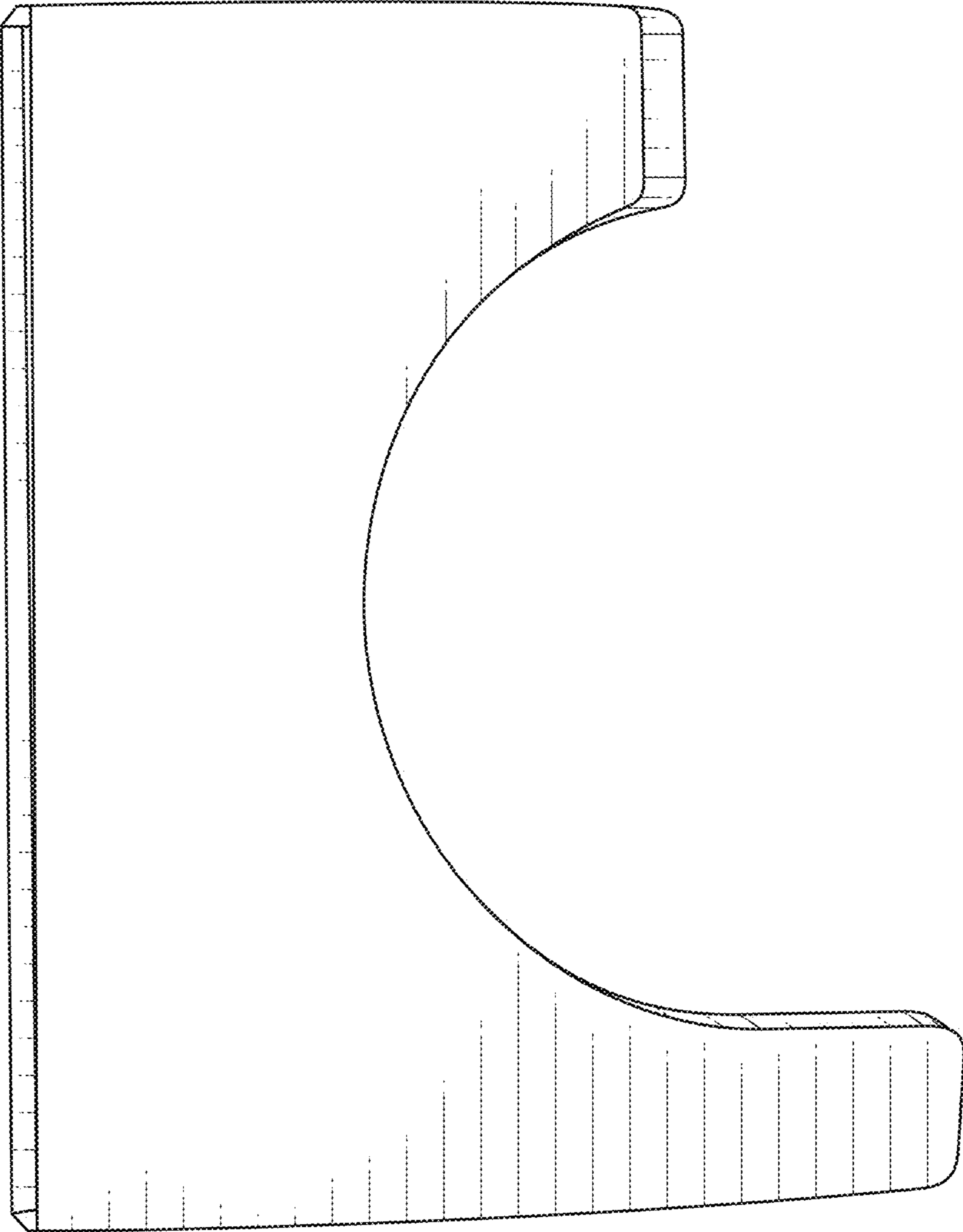


FIG. 4

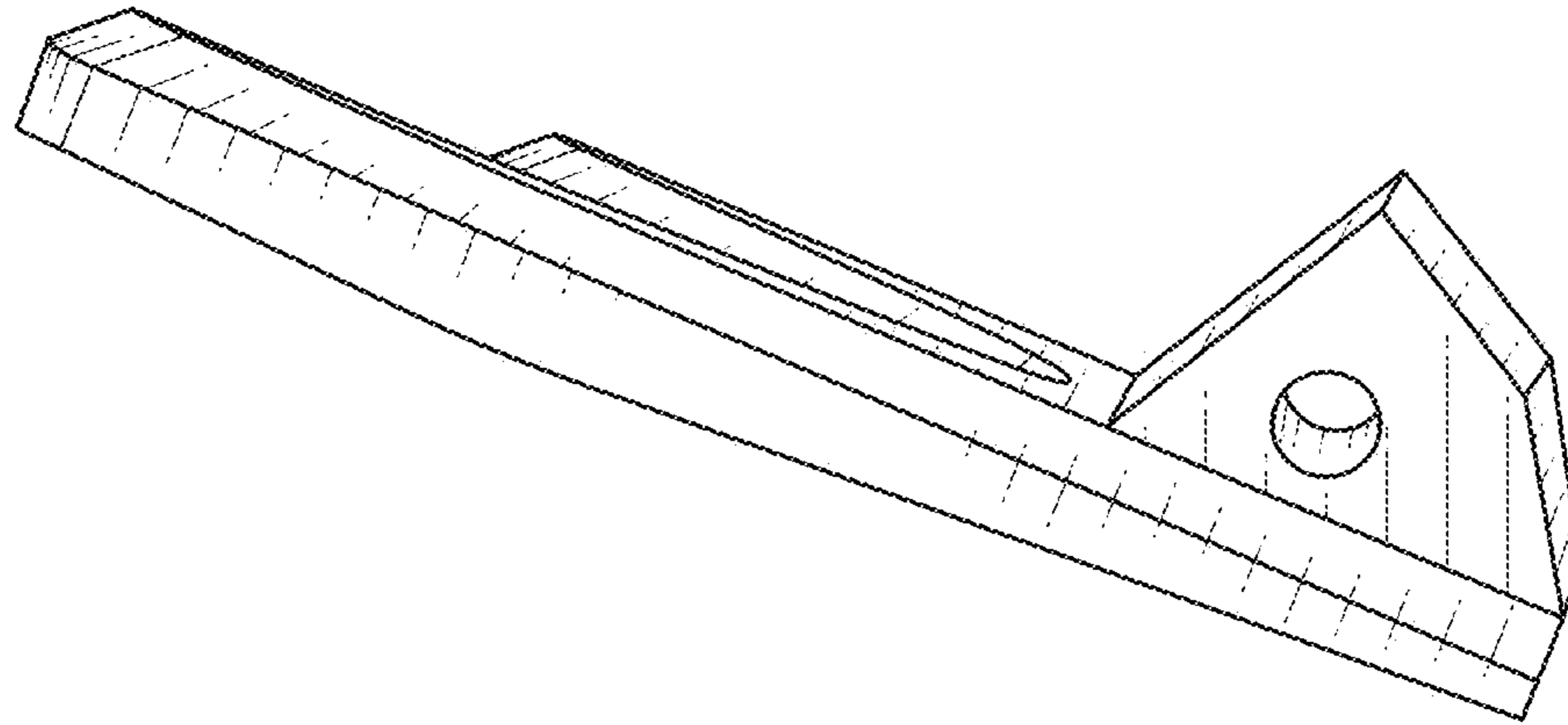


FIG. 5

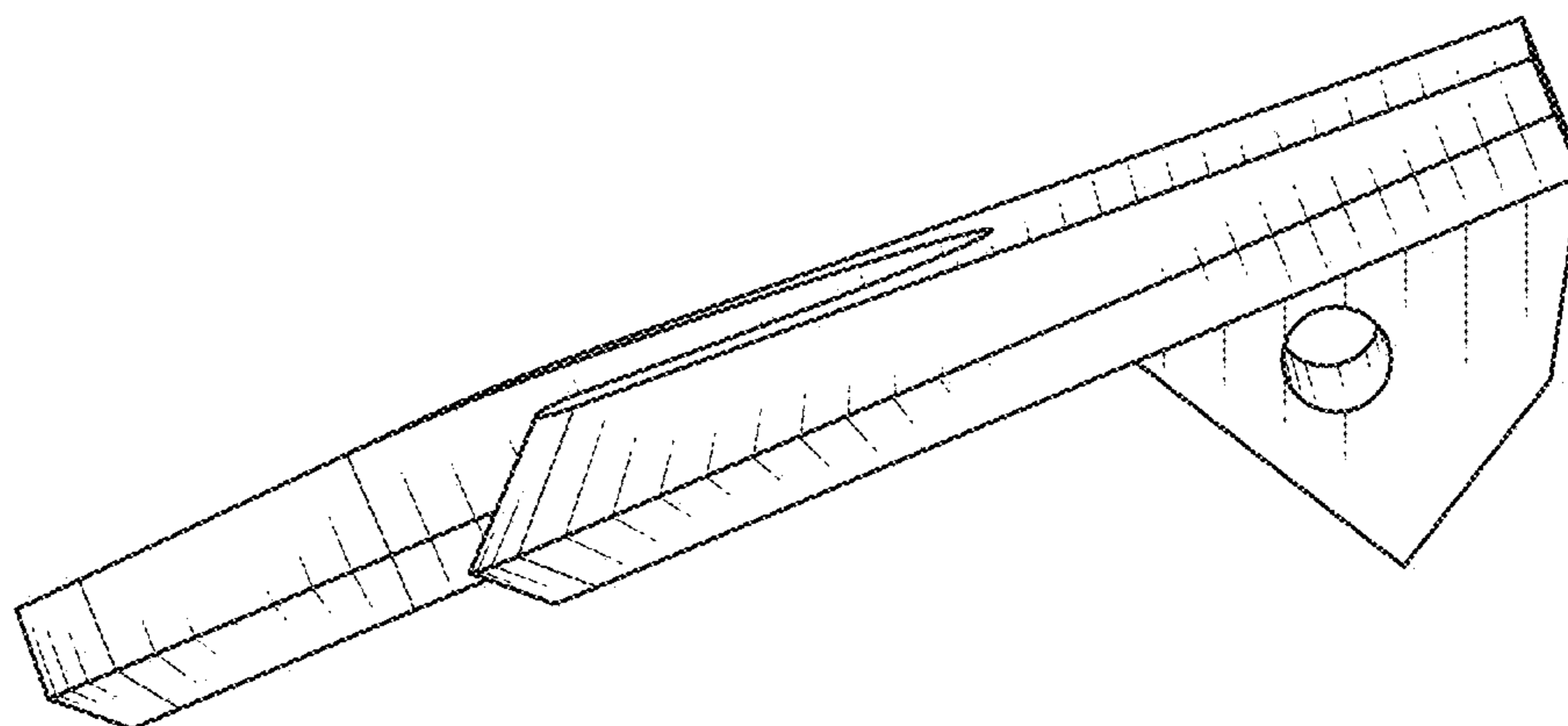


FIG. 6

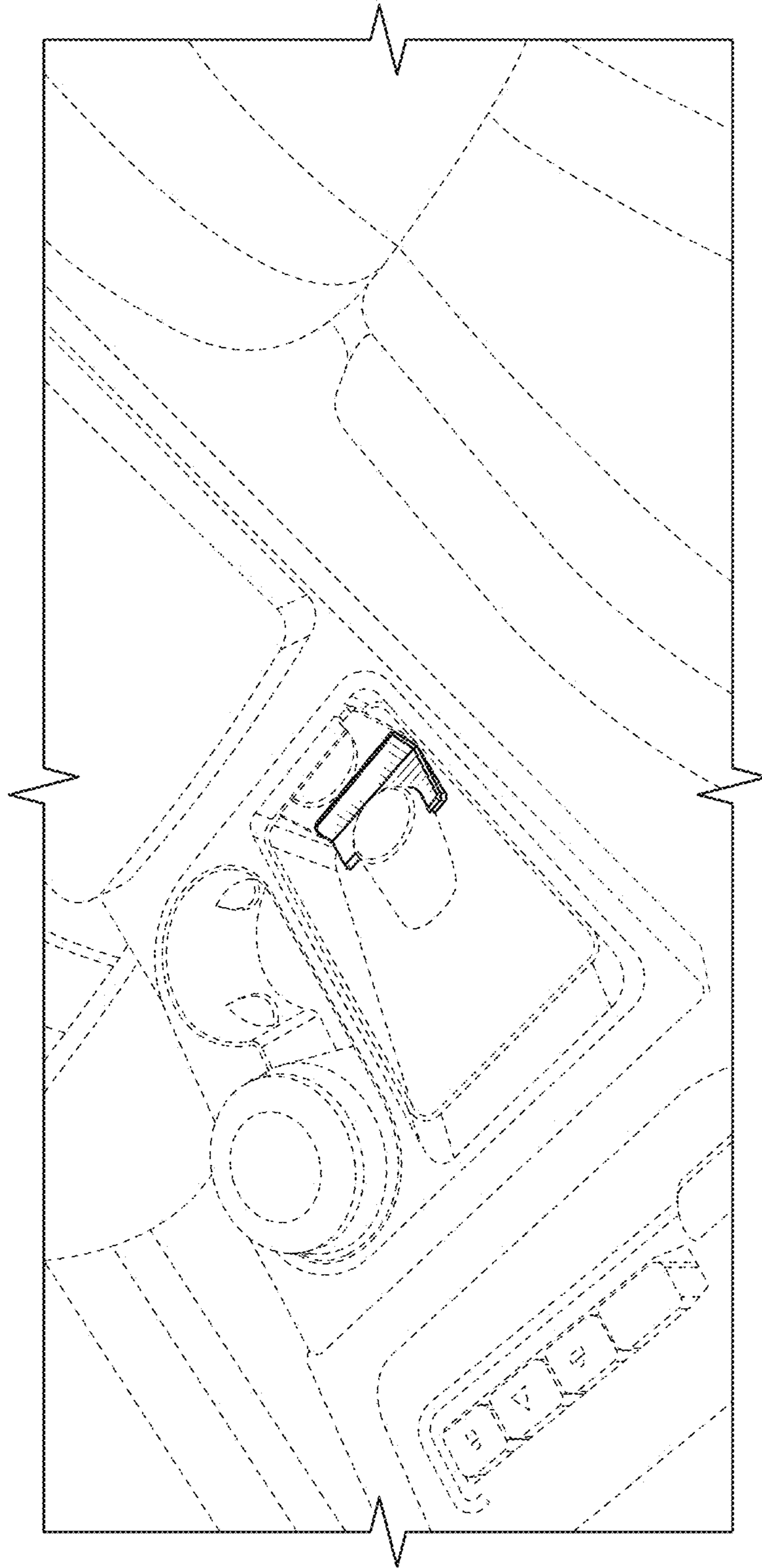


FIG. 7

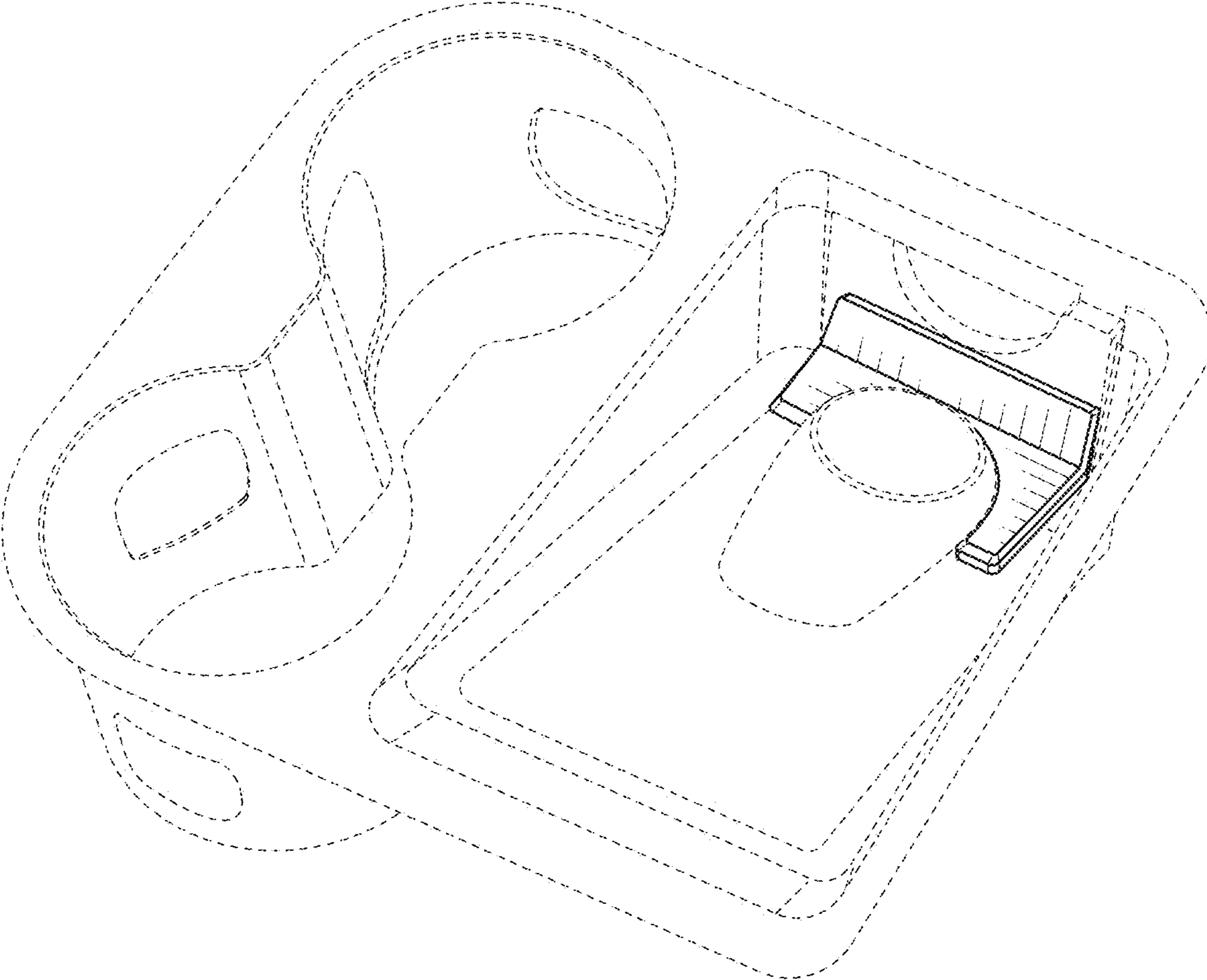


FIG. 8

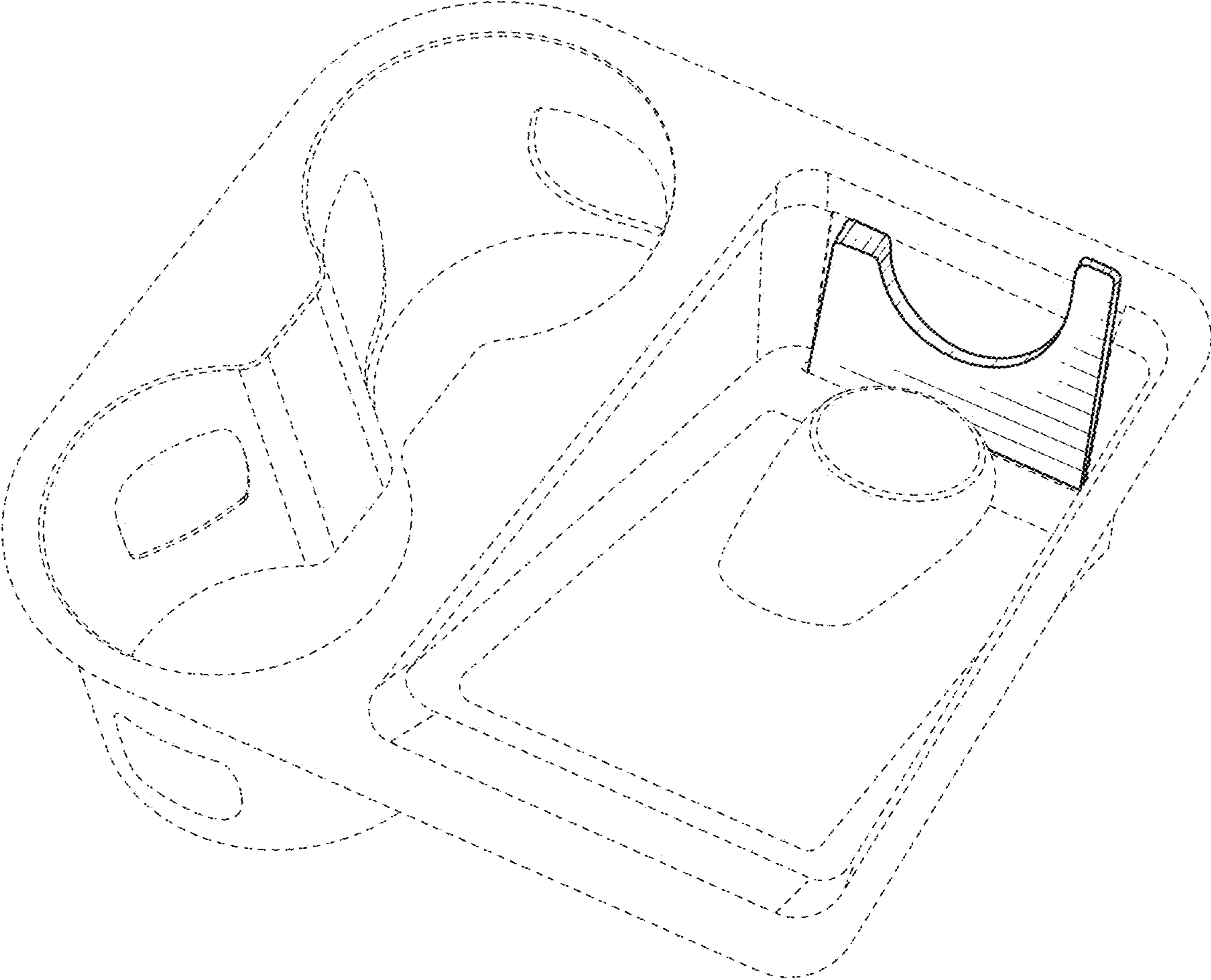


FIG. 9