

US00D932176S

(12) **United States Design Patent** (10) **Patent No.:** **US D932,176 S**
Swanson et al. (45) **Date of Patent:** **** Oct. 5, 2021**

(54) **LACE TIGHTENING DEVICE DIAL**

(71) Applicant: **Boa Technology, Inc.**, Denver, CO (US)

(72) Inventors: **Erik Anders Swanson**, Denver, CO (US); **Taylor James DiTallo**, Denver, CO (US); **Jesse Daniel Cotterman**, Denver, CO (US)

(73) Assignee: **BOA TECHNOLOGY, INC.**, Denver, CO (US)

(**) Term: **15 Years**

(21) Appl. No.: **29/688,182**

(22) Filed: **Apr. 18, 2019**

(51) **LOC (13) Cl.** **02-07**

(52) **U.S. Cl.**
USPC **D2/978**

(58) **Field of Classification Search**

USPC D2/896-899, 902, 907, 946, 976, 978
CPC .. A43C 1/003; A43C 9/04; A43C 7/00; A43C 11/00; A43C 13/10; A43C 7/08; A43C 7/005; A43B 3/0021

See application file for complete search history.

(56) **References Cited**

U.S. PATENT DOCUMENTS

D367,755 S * 3/1996 Jones D2/978
D482,853 S * 12/2003 Peabody D2/962
D535,810 S * 1/2007 Simpson D2/946

D735,987 S * 8/2015 Hsu D2/978
D751,281 S * 3/2016 Nickel D2/978
D758,061 S * 6/2016 Whewell D2/978
D788,446 S * 6/2017 Wiingaard-Madsen D2/978
D799,810 S * 10/2017 Mayberry A43B 5/1666
D2/978
2010/0251524 A1* 10/2010 Chen A43C 11/165
24/713.2

* cited by examiner

Primary Examiner — Rashida C. Walshon

(74) *Attorney, Agent, or Firm* — Kilpatrick Townsend & Stockton, LLP

(57) **CLAIM**

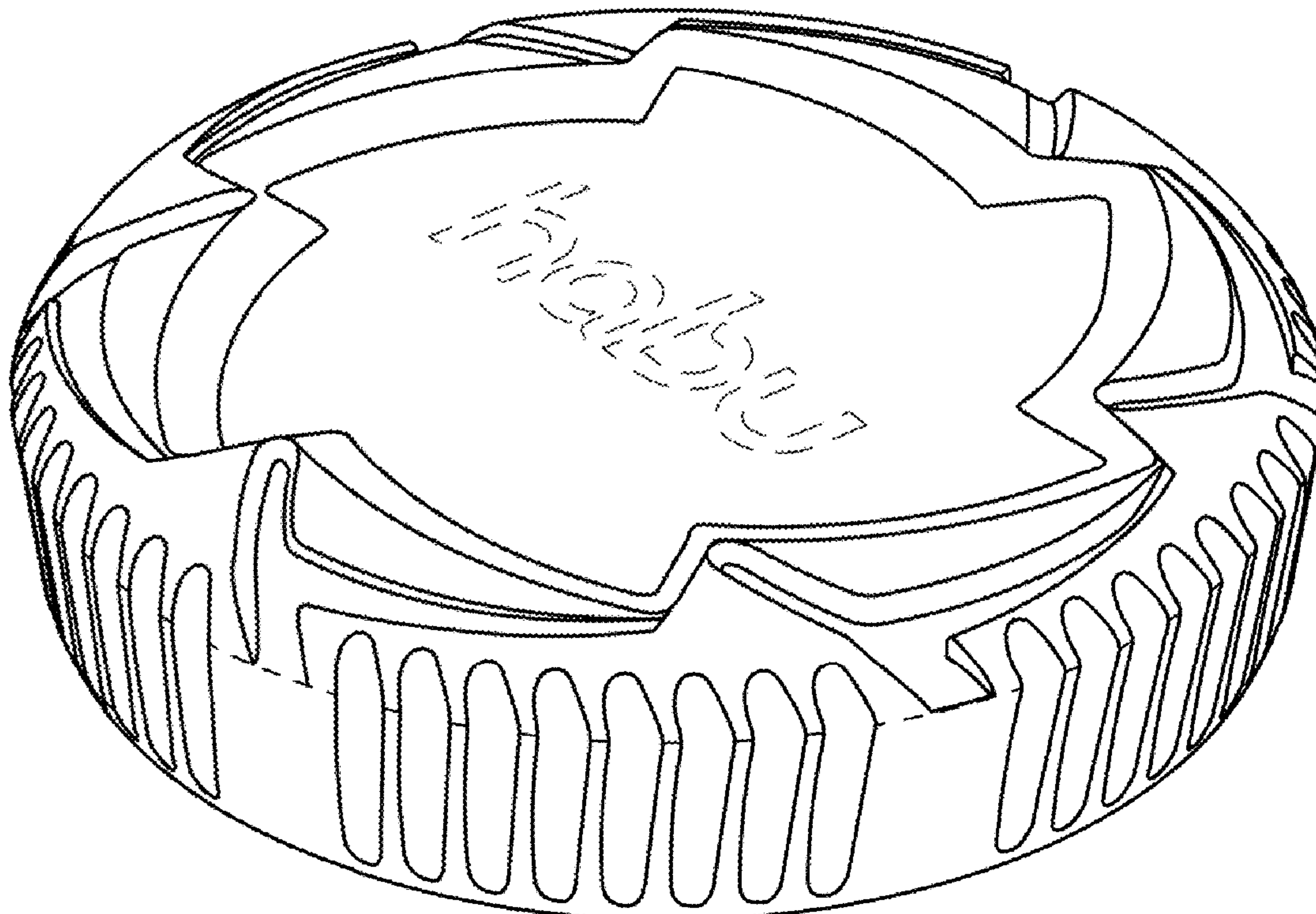
We claim the ornamental design for a lace tightening device dial, substantially as shown and described.

DESCRIPTION

FIG. 1 is a perspective view of the lace tightening device dial;
FIG. 2 is a top view of the lace tightening device dial;
FIG. 3 is a bottom view of the lace tightening device dial;
FIG. 4 is a front view of the lace tightening device dial;
FIG. 5 is a back view of the lace tightening device dial;
FIG. 6 is a first side view of the lace tightening device dial;
and,
FIG. 7 is a second side view of the lace tightening device dial.

The broken lines in the drawings represent environment that form no part of the claim.

1 Claim, 4 Drawing Sheets



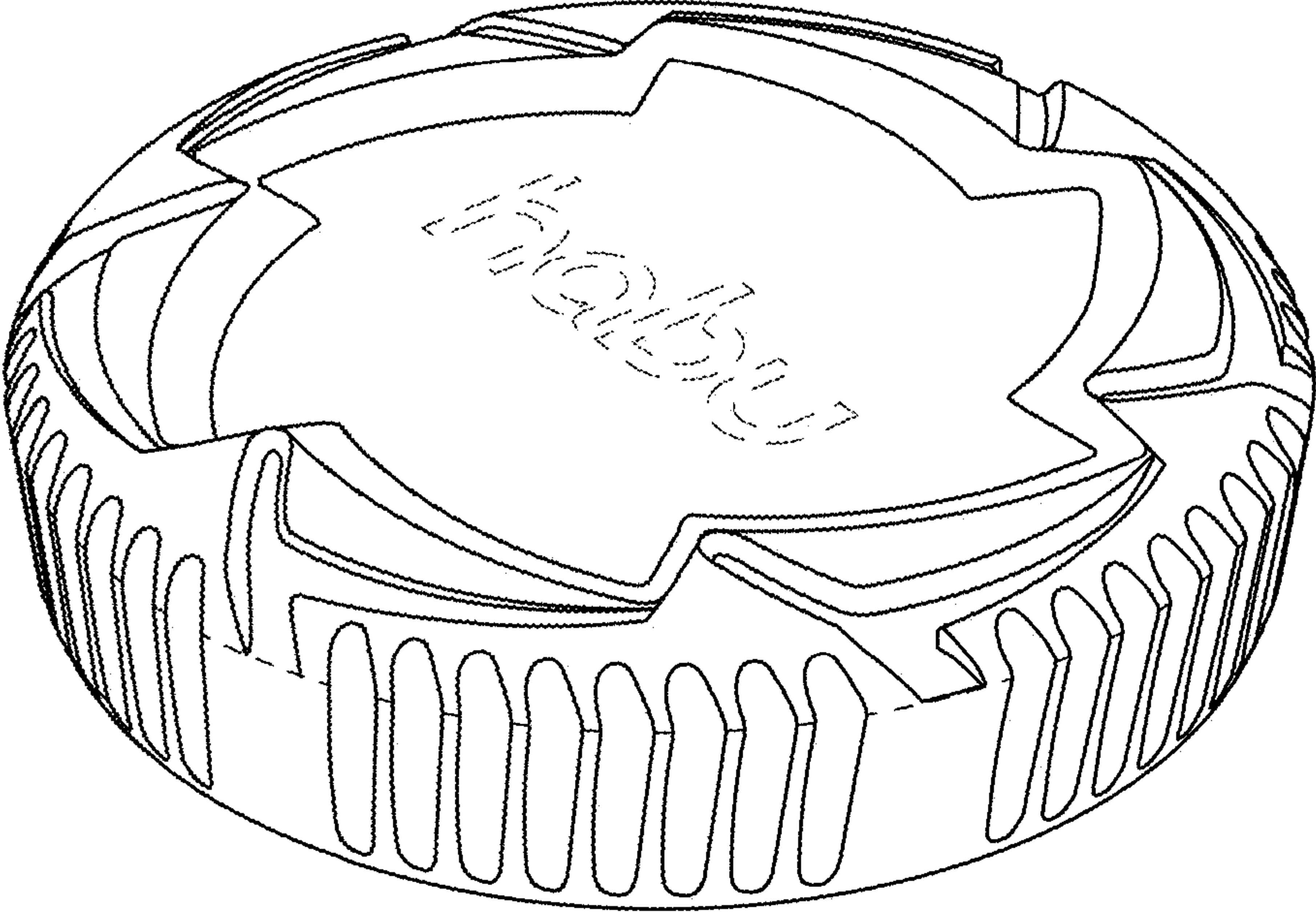


FIG. 1

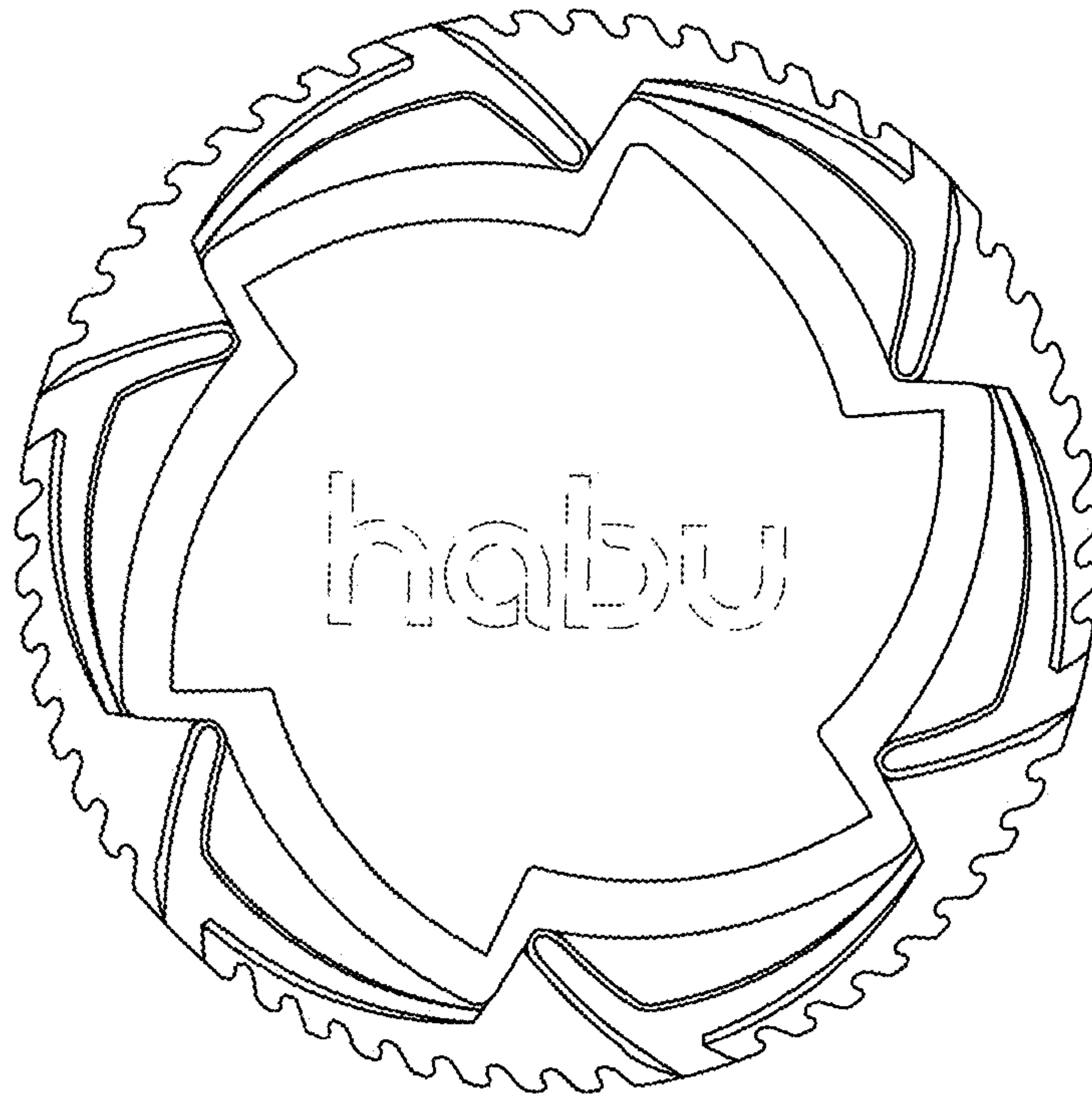


FIG. 2

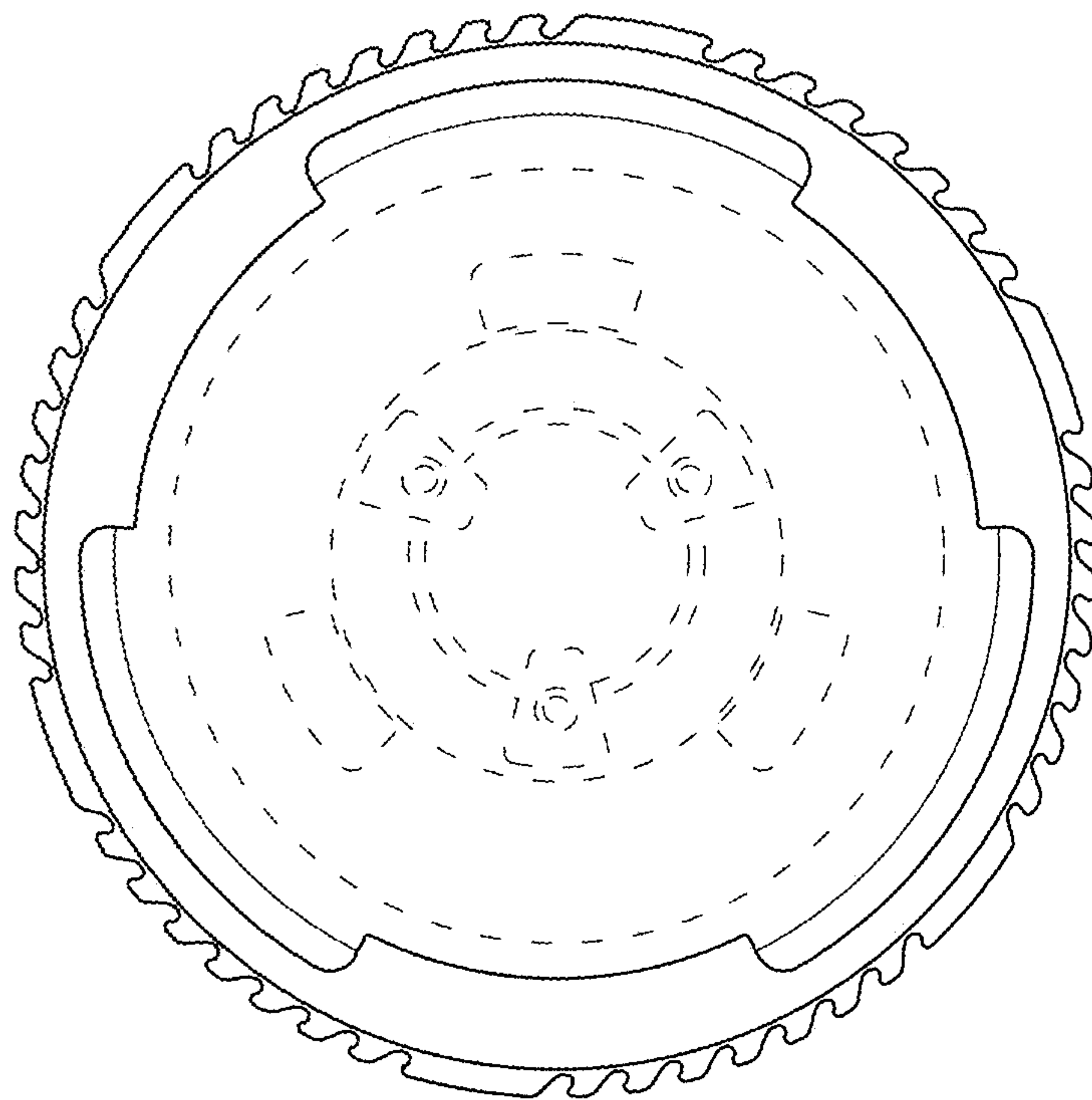


FIG. 3

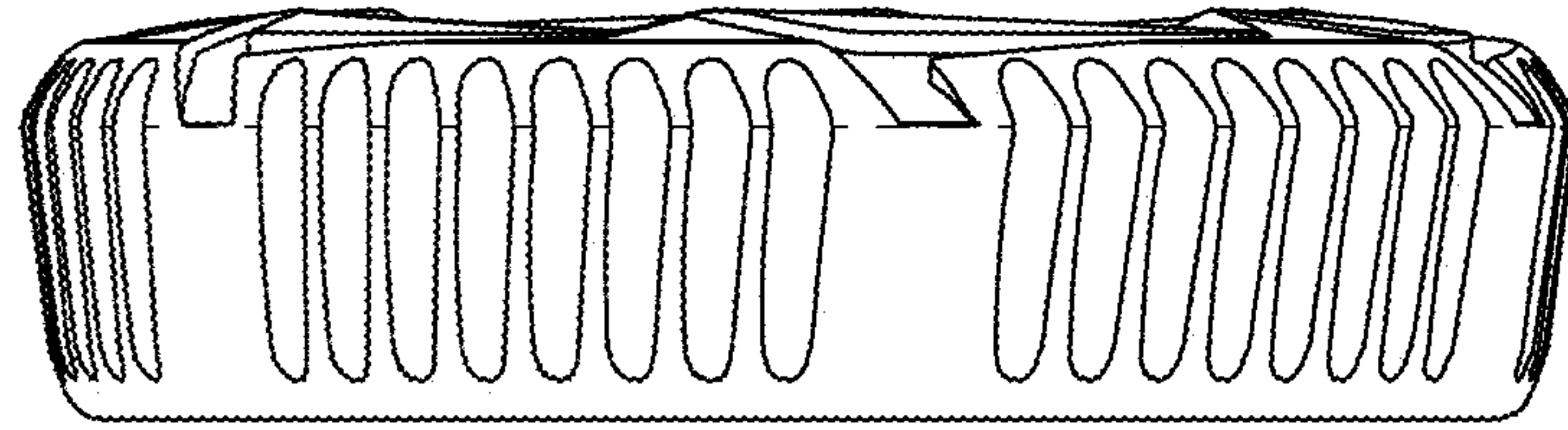


FIG. 4

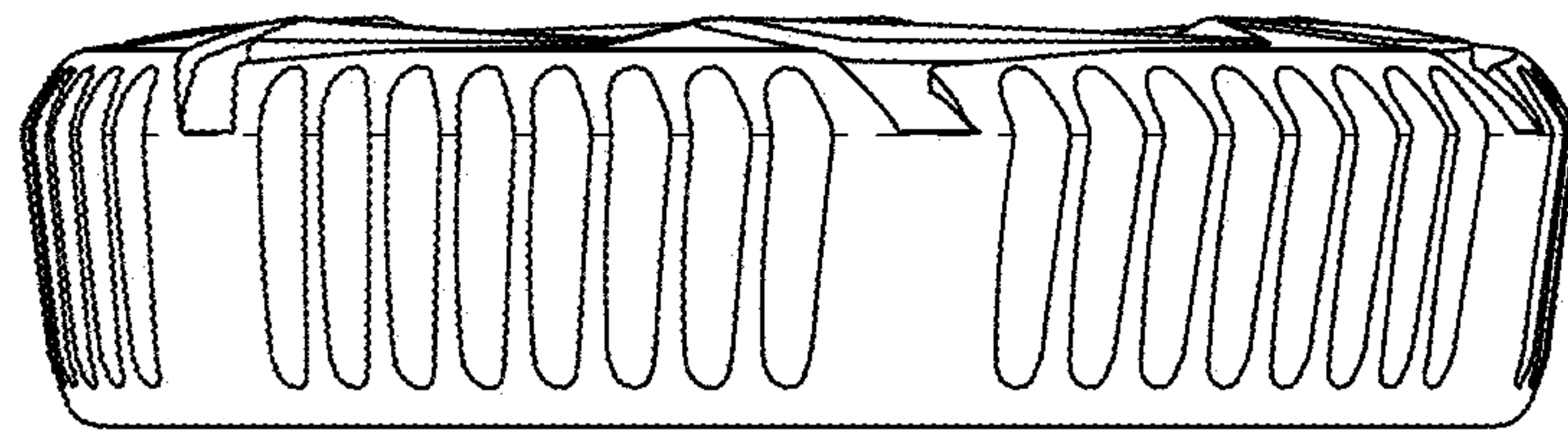


FIG. 5

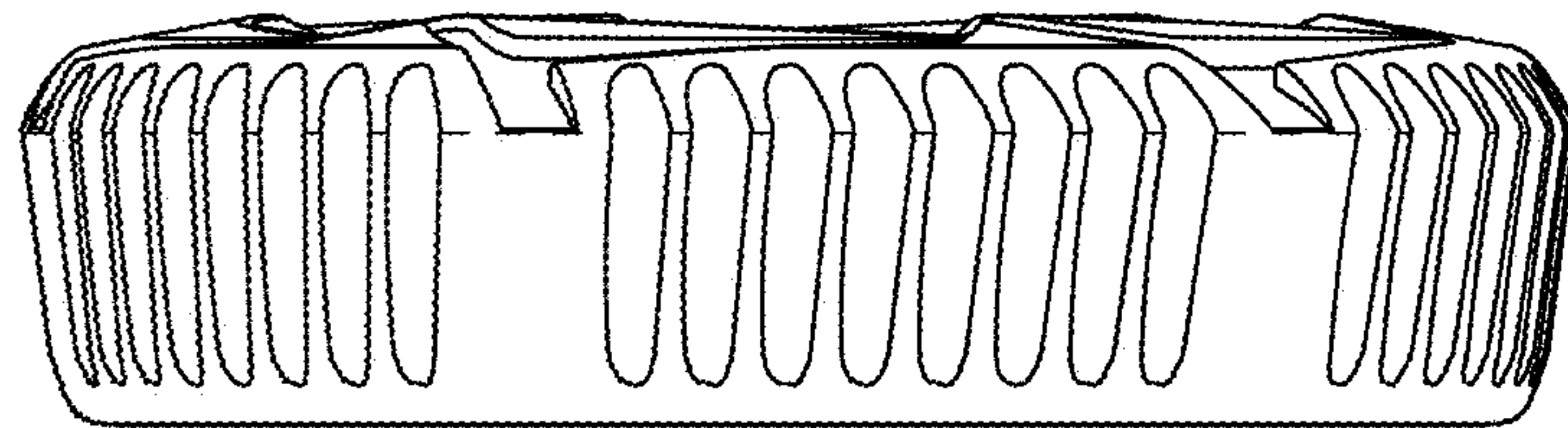


FIG. 6

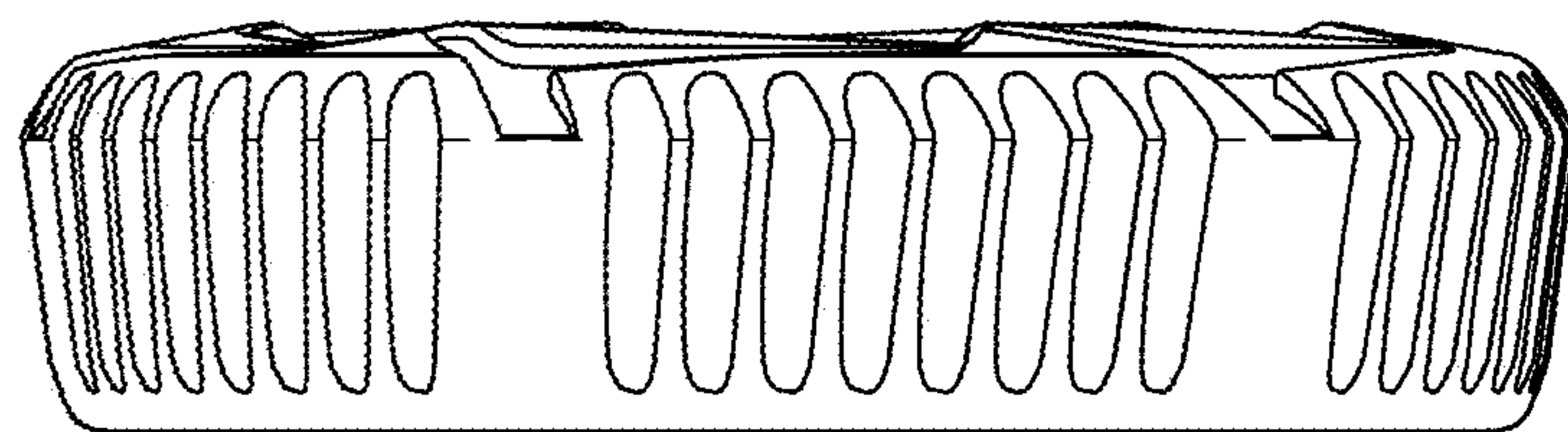


FIG. 7