



US00D932142S

(12) **United States Design Patent** (10) **Patent No.:** **US D932,142 S**  
**Soldatov** (45) **Date of Patent:** **\*\* Oct. 5, 2021**

(54) **COMBINED CAP AND SHIELD ASSEMBLY**  
(71) Applicant: **Andrei Soldatov**, Brooksville, FL (US)  
(72) Inventor: **Andrei Soldatov**, Brooksville, FL (US)  
(\*\*) Term: **15 Years**  
(21) Appl. No.: **29/652,260**  
(22) Filed: **Jun. 30, 2020**  
(51) **LOC (13) Cl.** ..... **02-03**  
(52) **U.S. Cl.**  
USPC ..... **D2/866; D29/105**  
(58) **Field of Classification Search**  
USPC ..... D2/865, 866, 867, 868, 869, 870, 872,  
D2/873, 875, 876, 878, 879, 881, 882,  
D2/883, 891, 894, 895; D29/105, 109,  
D29/110  
CPC ..... A42B 1/00; A42B 1/004; A42B 1/006;  
A42B 1/008; A42B 1/012; A42B 1/014;  
A42B 1/018; A42B 1/0181; A42B  
1/0182; A42B 1/0184; A42B 1/0186;  
A42B 1/0187; A42B 1/0195; A42B 1/02;  
A42B 1/04; A42B 1/06; A42B 1/205;  
A42B 1/22; A42B 1/24; A42B 1/248;  
A42B 3/00; A42B 3/04; A42B 3/0406;  
A42B 3/18; A42B 3/20; A42B 3/225;  
A42B 5/00; A61F 9/04; A61F 9/045;  
A61F 9/06  
See application file for complete search history.

(56) **References Cited**

**U.S. PATENT DOCUMENTS**

D199,931 S \* 12/1964 Kline ..... D29/110  
4,701,965 A \* 10/1987 Landis ..... A61F 9/02  
2/428  
4,864,653 A \* 9/1989 Landis ..... A42B 1/0181  
2/9  
D337,645 S \* 7/1993 Guziejka ..... 2/172  
D402,791 S \* 12/1998 Mishal ..... D2/879

D404,846 S \* 1/1999 Day ..... D29/106  
D459,573 S \* 7/2002 Schechter ..... D2/866  
6,584,614 B2 \* 7/2003 Hogg ..... A42B 1/247  
2/10  
D592,834 S \* 5/2009 Keiser ..... D2/884  
D633,694 S \* 3/2011 Korper ..... D2/866  
D636,975 S \* 5/2011 Fountain ..... D2/876  
D662,693 S \* 7/2012 Becker ..... D2/882  
D668,435 S \* 10/2012 Smith ..... D2/866  
D684,753 S \* 6/2013 Arenson ..... D2/866  
D692,186 S \* 10/2013 Phillips ..... D29/108  
D721,224 S \* 1/2015 Arenson ..... D2/886  
9,380,822 B2 \* 7/2016 Foster ..... A42B 1/18  
D779,168 S \* 2/2017 Arenson ..... D2/866  
D783,238 S \* 4/2017 Bene ..... D2/876  
10,299,526 B2 \* 5/2019 DuCasse ..... A42B 1/0187  
D907,299 S \* 1/2021 Brown, II ..... D29/110

(Continued)

*Primary Examiner* — Jasmine Mlinarcik  
(74) *Attorney, Agent, or Firm* — Dunlap Bennett &  
Ludwig, PLLC

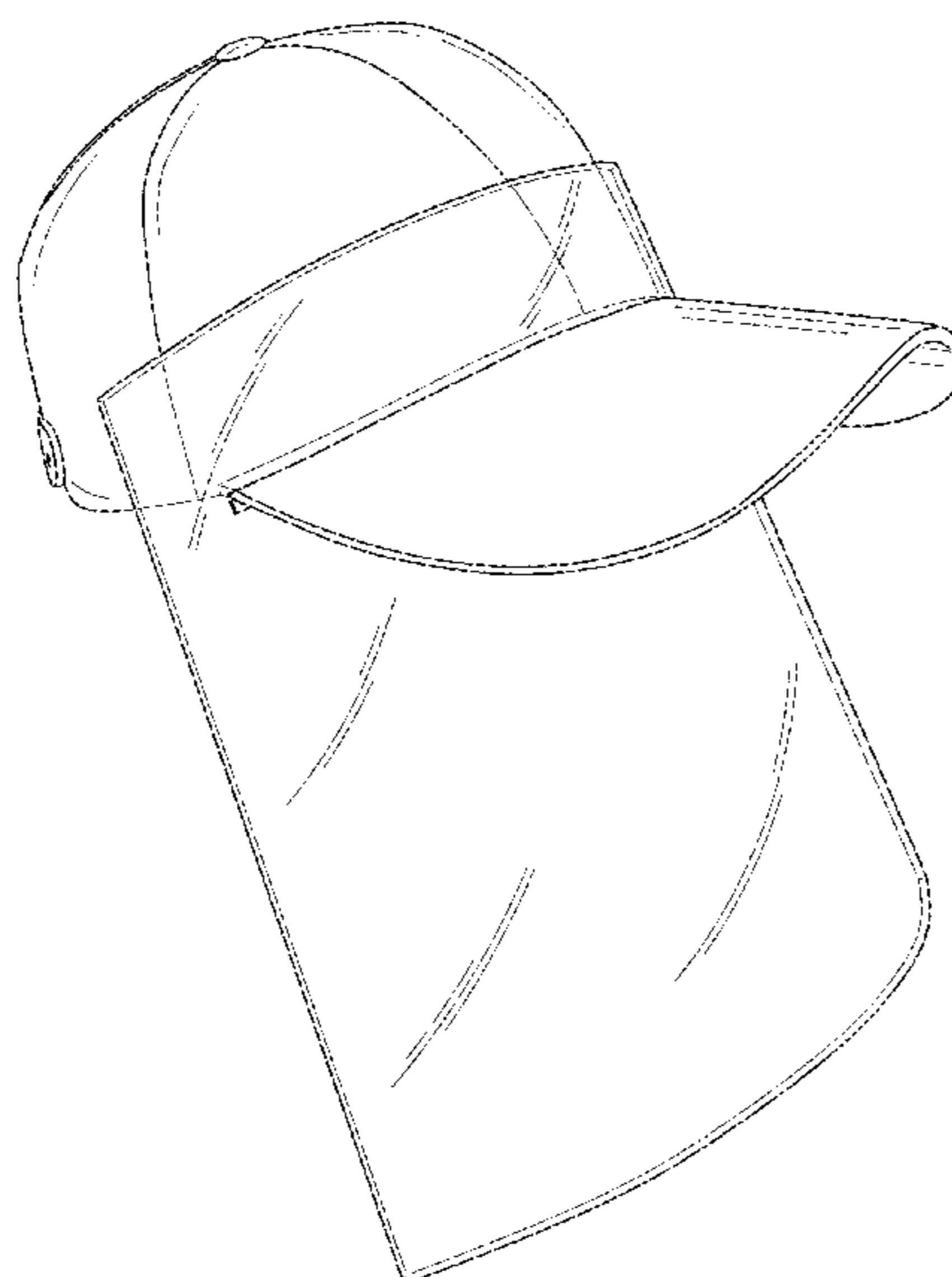
(57) **CLAIM**

The ornamental design for a combined cap and shield assembly, as shown and described.

**DESCRIPTION**

FIG. 1 is a front perspective view of the combined cap and shield assembly, showing my new design;  
FIG. 2 is a front elevation view of the combined cap and shield assembly;  
FIG. 3 is a rear elevation view of the combined cap and shield assembly;  
FIG. 4 is a left side elevation view of the combined cap and shield assembly;  
FIG. 5 is a right side elevation view of the combined cap and shield assembly;  
FIG. 6 is a top plan view of the combined cap and shield assembly; and,  
FIG. 7 is a bottom plan view of the combined cap and shield assembly.

**1 Claim, 6 Drawing Sheets**



(56)

**References Cited**

U.S. PATENT DOCUMENTS

2015/0164168 A1\* 6/2015 Polifroni ..... A42B 1/247  
2/209.13  
2019/0174855 A1\* 6/2019 D'ambrosio ..... A42B 1/0185  
2020/0281301 A1\* 9/2020 Wynalda, Jr. .... A42B 1/0181

\* cited by examiner

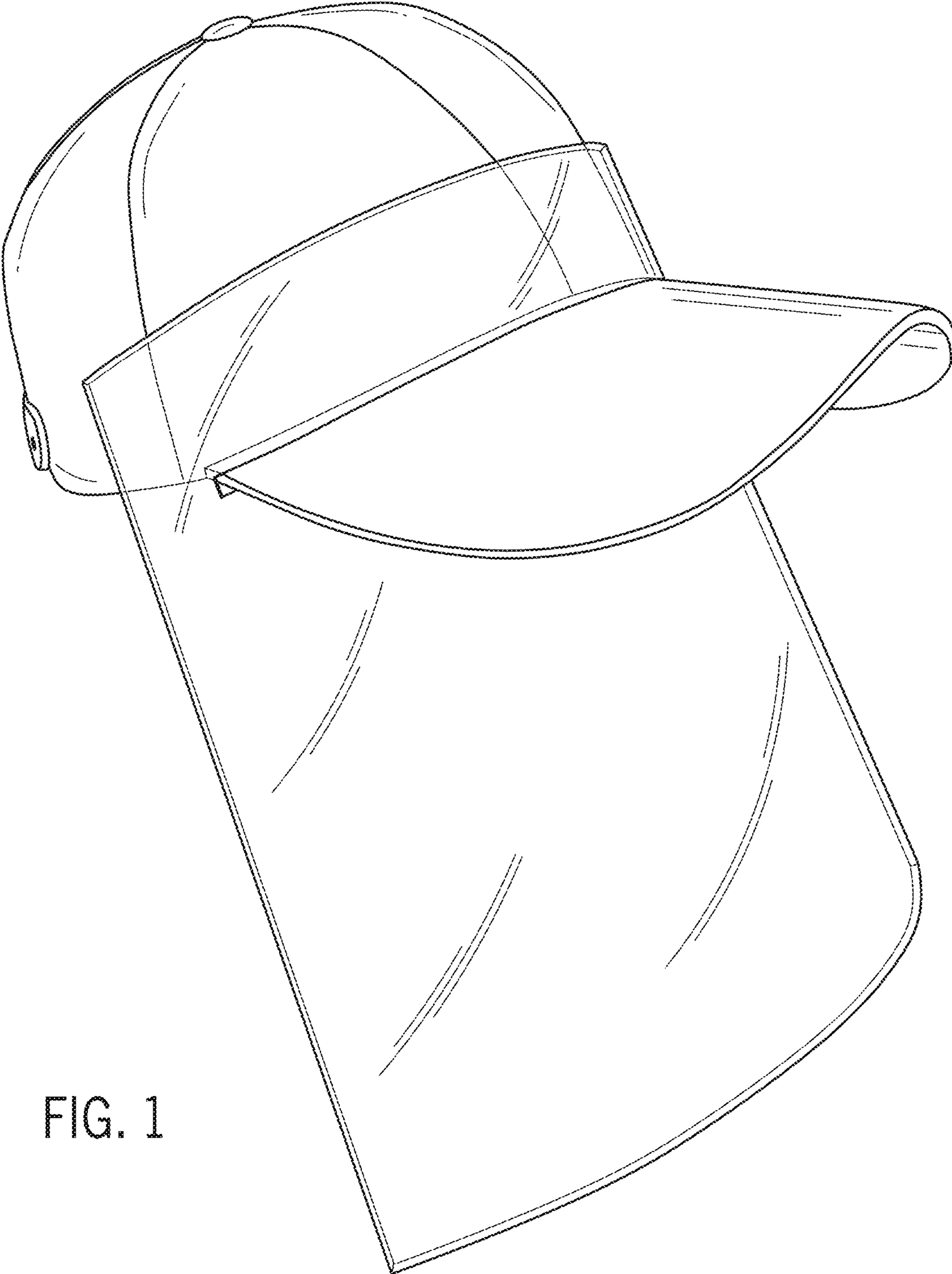


FIG. 1

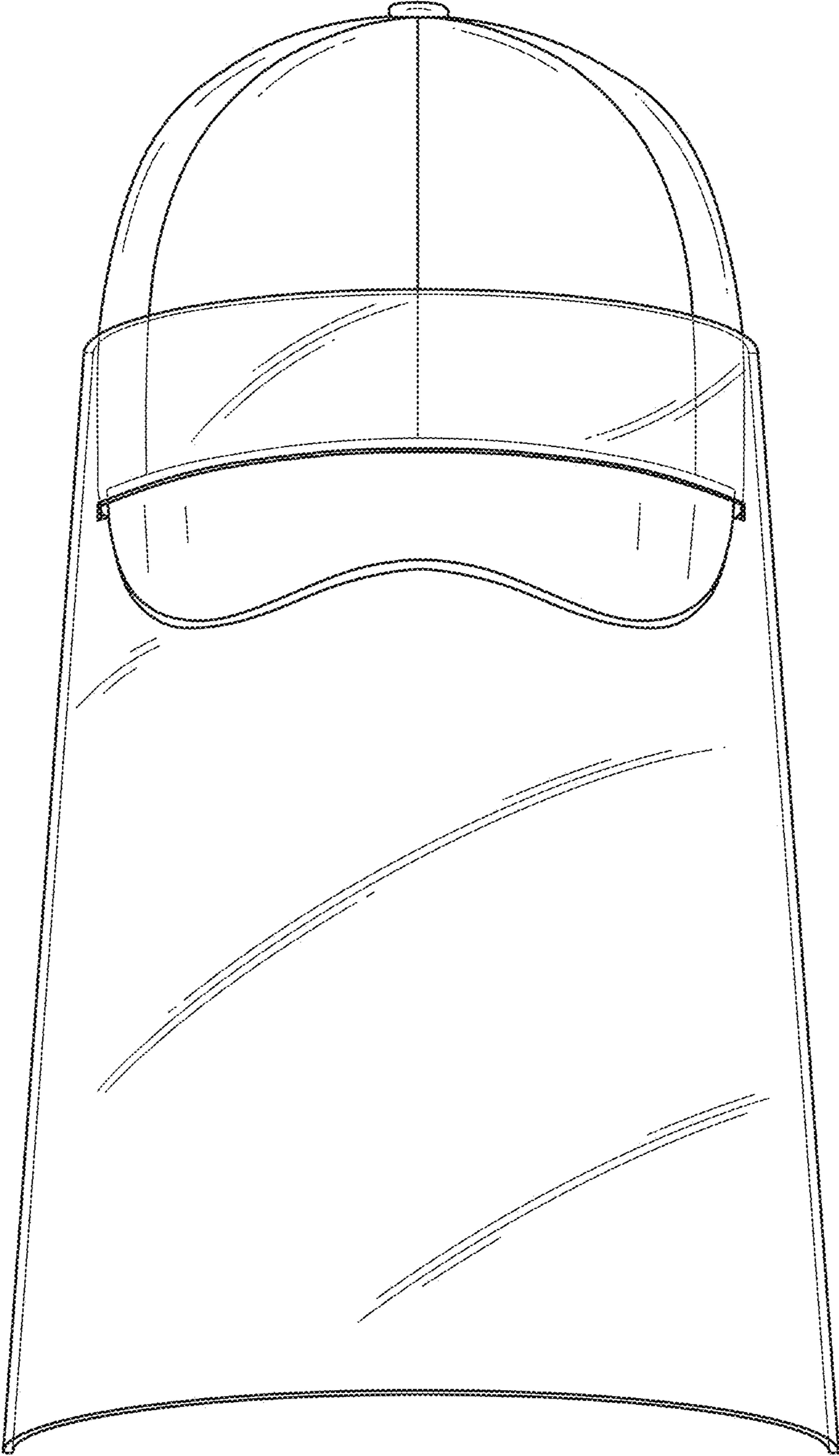


FIG. 2

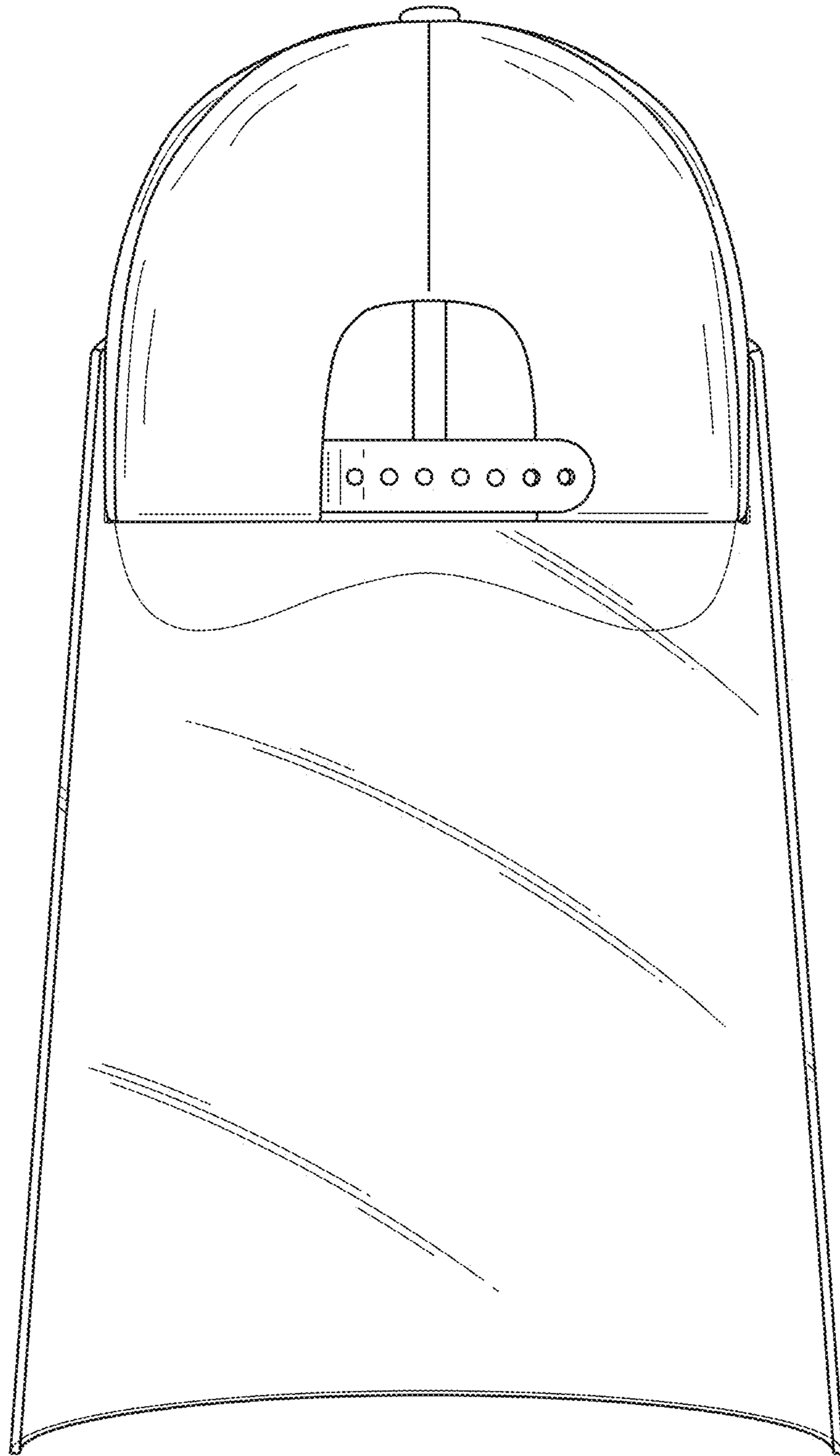


FIG. 3

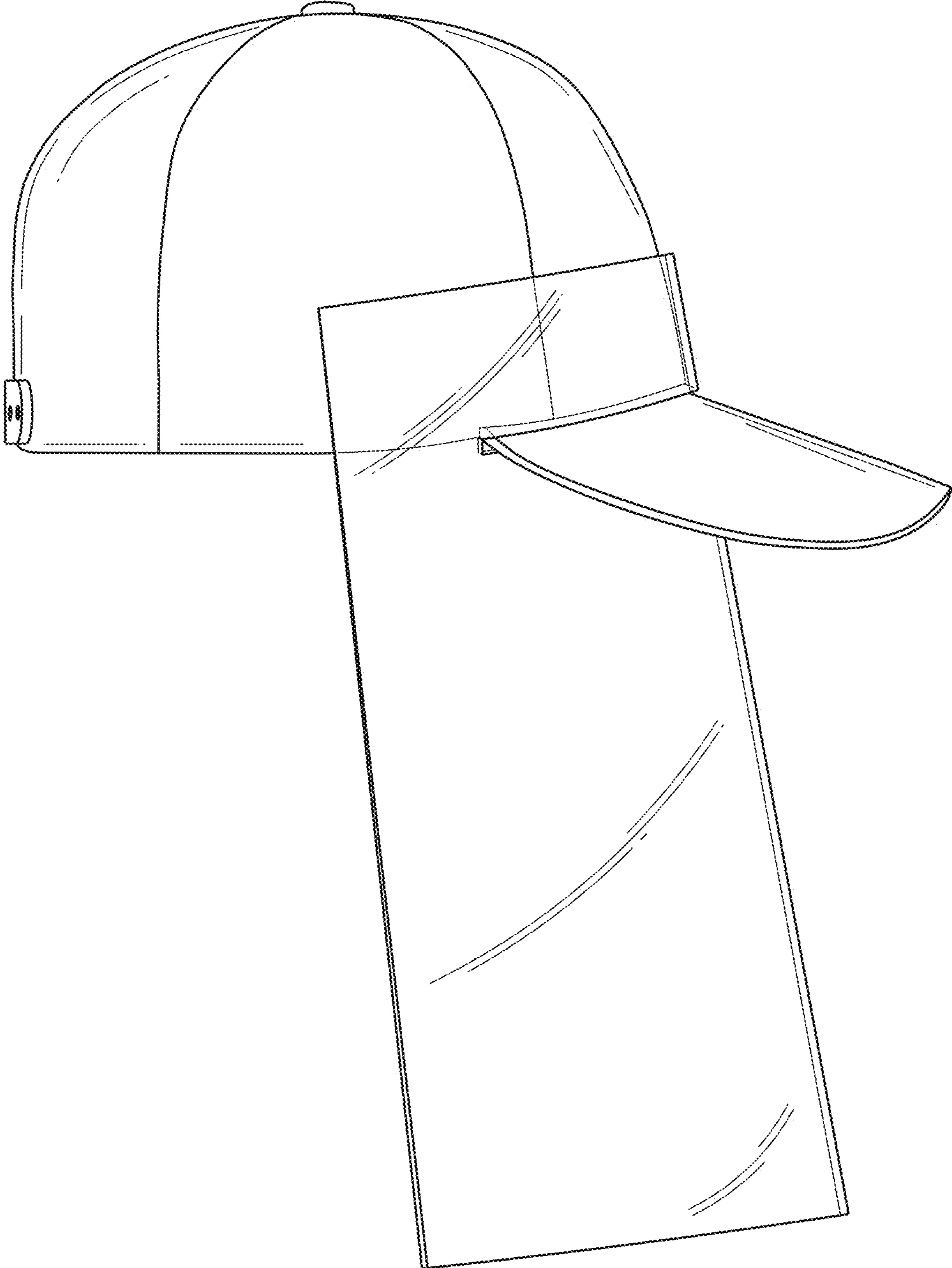


FIG. 4

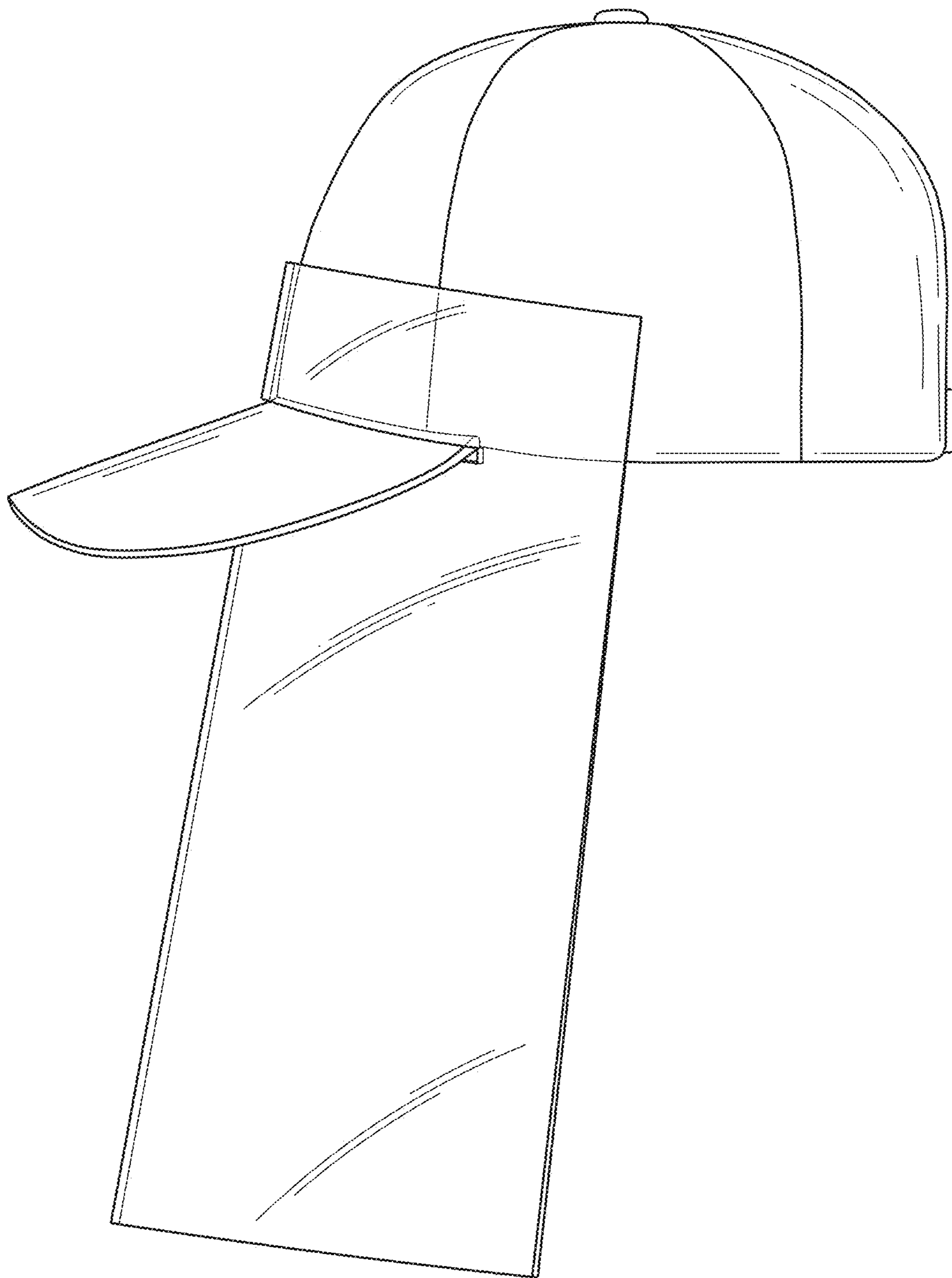


FIG. 5

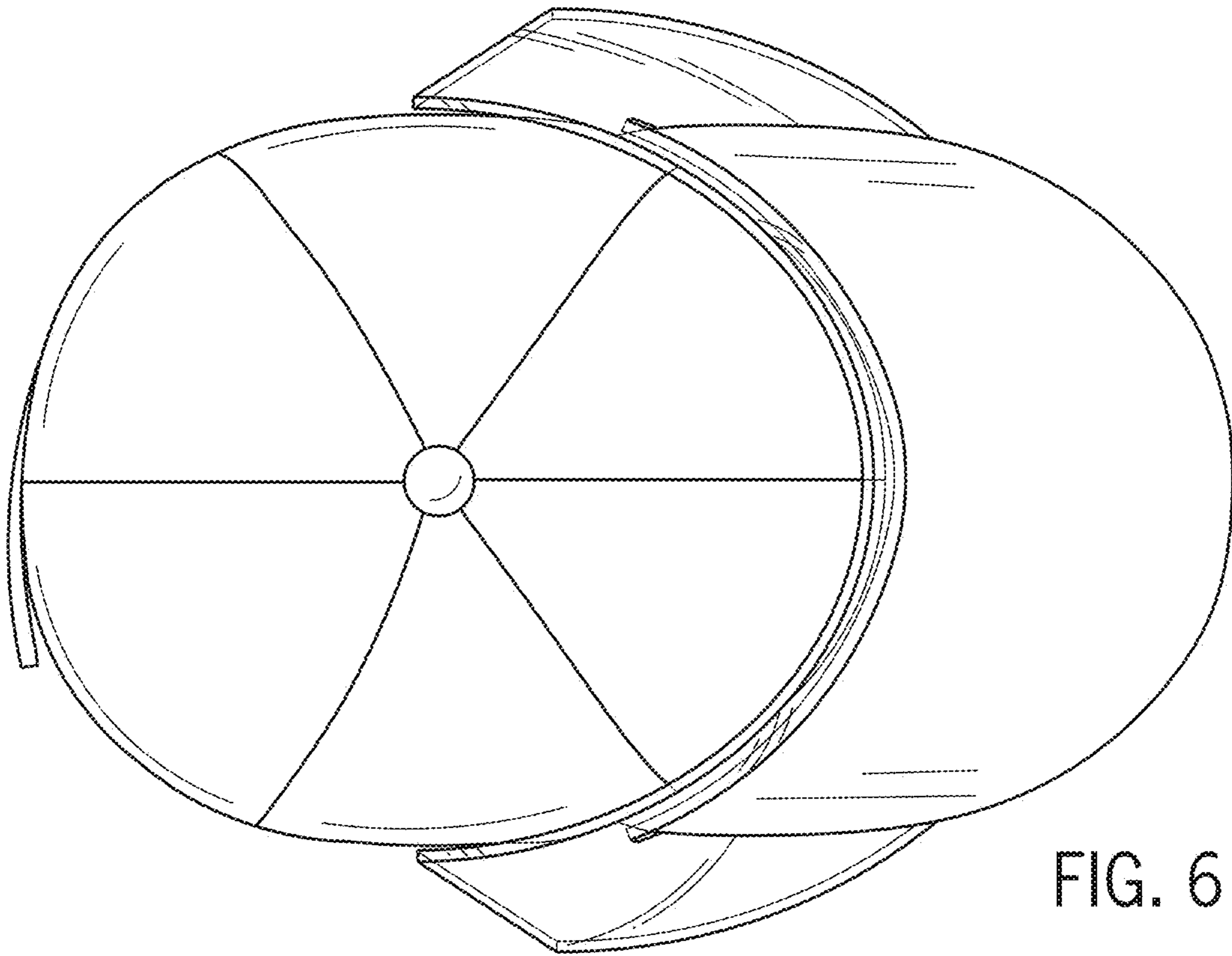


FIG. 6

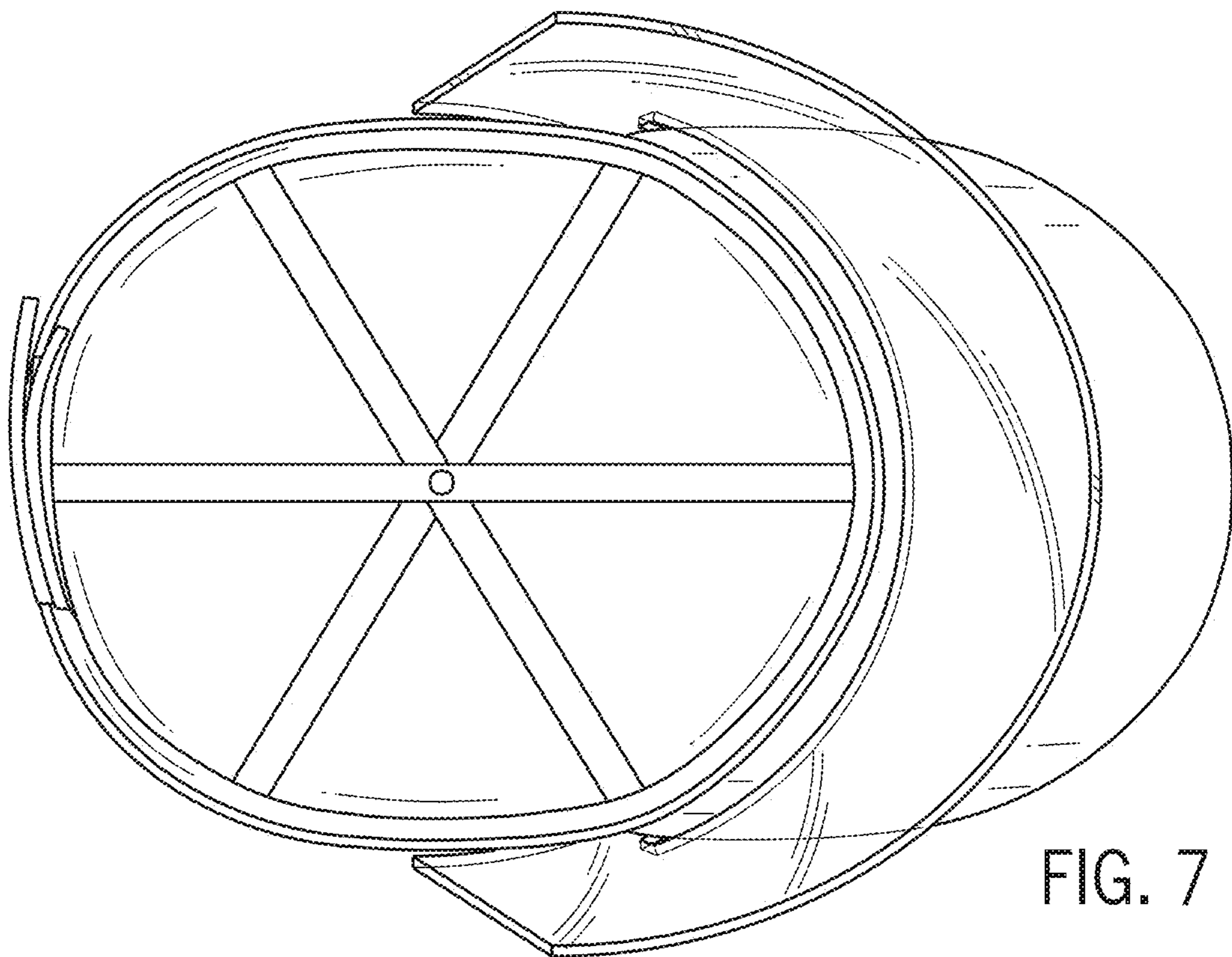


FIG. 7