



US00D932141S

(12) **United States Design Patent** (10) **Patent No.:** **US D932,141 S**
Ansell (45) **Date of Patent:** **** Oct. 5, 2021**

(54) **GARMENT WITH DETACHABLE ILLUMINATION STRIP**

(71) Applicant: **Debra Ansell**, Los Angeles, CA (US)

(72) Inventor: **Debra Ansell**, Los Angeles, CA (US)

(73) Assignee: **Debra Ansell**, Los Angeles, CA (US)

(**) Term: **15 Years**

(21) Appl. No.: **29/704,930**

(22) Filed: **Sep. 9, 2019**

(51) **LOC (13) Cl.** **02-02**

(52) **U.S. Cl.**
USPC **D2/853**

(58) **Field of Classification Search**

USPC D2/735, 736, 756, 757, 759, 773, 774,
D2/785, 790, 793, 800, 830, 840, 845,
D2/851-853, 861-864
CPC .. A41D 27/085; A41D 19/0157; A41D 1/002;
A41D 1/005

See application file for complete search history.

(56) **References Cited**

U.S. PATENT DOCUMENTS

557,252 A * 3/1896 Cash A41D 1/22
2/105
D423,762 S * 5/2000 Dale D2/828
D627,138 S * 11/2010 Azevedo D2/851
D734,921 S * 7/2015 Koo D2/757
D831,934 S * 10/2018 Lee G02F 1/133526
D2/739

(Continued)

Primary Examiner — George A Bugg

Assistant Examiner — Amber J Rabie

(74) *Attorney, Agent, or Firm* — Treasure IP Group, LLC

(57) **CLAIM**

The ornamental design for a garment with detachable illumination strip, as shown and described.

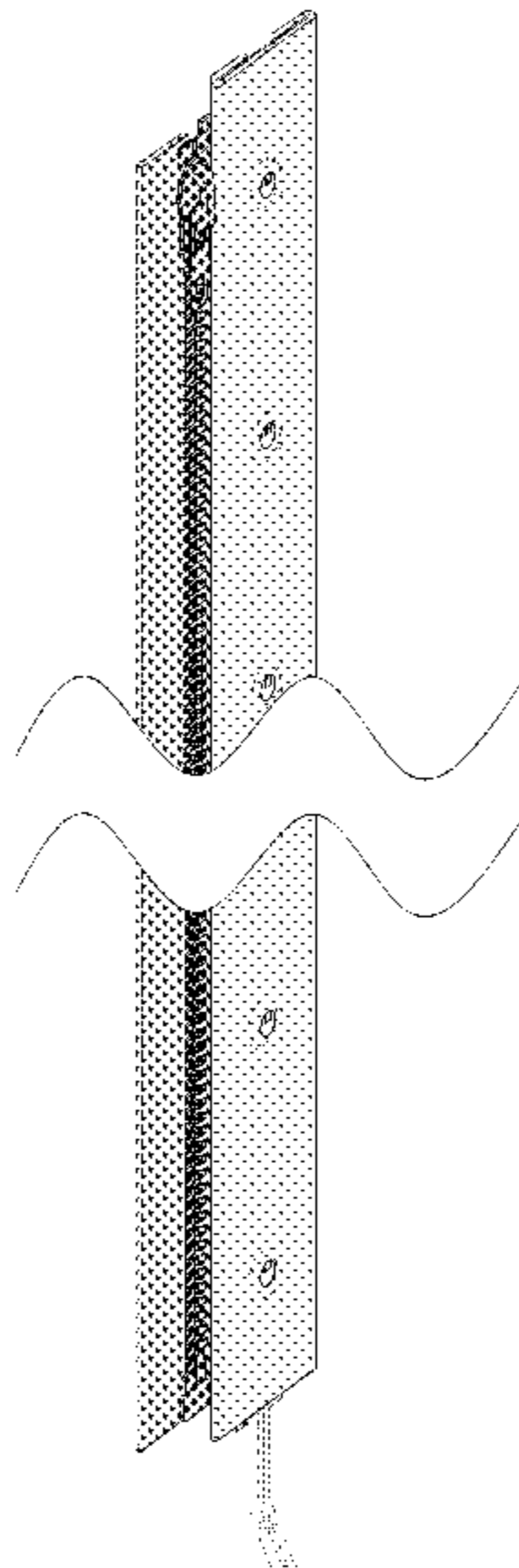
DESCRIPTION

FIG. 1 is a front view of a garment of my new design, wherein the garment is in a first intended use configuration and an illumination strip is attached;
FIG. 2 is a rear view of the garment of FIG. 1;
FIG. 3 is a left side view of the garment of FIG. 1;
FIG. 4 is a right side view of the garment of FIG. 1;
FIG. 5 is a top side view of the garment of FIG. 1;
FIG. 6 is a bottom side view of the garment of FIG. 1;
FIG. 7 is a front view of the garment of FIG. 1, wherein the garment is in a second intended use configuration and an illumination strip is taken off;
FIG. 8 is a rear view of the garment of FIG. 7;
FIG. 9 is a left side view of the garment of FIG. 7;
FIG. 10 is a right side view of the garment of FIG. 7;
FIG. 11 is a front view of the illumination strip of FIG. 1 in which illumination strip is shown separate from the garment for ease of illustration;
FIG. 12 is a rear view of the illumination strip of FIG. 13;
FIG. 13 is a left side view of the illumination strip of FIG. 13;
FIG. 14 is a right view of the illumination strip of FIG. 13;
FIG. 15 is a top view of the illumination strip of FIG. 13;
FIG. 16 is a bottom view of the illumination strip of FIG. 13;
and,
FIG. 17 is a perspective view of the illumination strip as in FIG. 13.

The garment with detachable illumination strip is shown with the views broken away in the middle in FIGS. 11-14 and 17 so that the details at the ends can be shown in greater detail.

The broken lines showing wires and LED covers are environmental and form no part of the claimed design. The broken lines showing stitches on garment with detachable illumination strip are portions of the article which form no part of the claimed design.

1 Claim, 17 Drawing Sheets



(56)

References Cited

U.S. PATENT DOCUMENTS

D853,087 S * 7/2019 Yamamoto G02F 1/133615
D2/853
2010/0001664 A1* 1/2010 Shih H05B 45/00
315/313
2010/0039802 A1* 2/2010 Tuan A45C 15/06
362/185
2011/0199758 A1* 8/2011 Yeh F21V 33/0008
362/184
2012/0155065 A1* 6/2012 Ubaghs G09F 21/02
362/103
2012/0257139 A1* 10/2012 Shinkai G02F 1/133615
349/61
2012/0324617 A1* 12/2012 Lekkas A41D 15/005
2/74
2014/0300528 A1* 10/2014 Ebisui G02F 1/01
345/32
2015/0293402 A1* 10/2015 Shinkai G02F 1/133526
349/15
2018/0003579 A1* 1/2018 Esposito A41F 9/00
2018/0347793 A1* 12/2018 Natsui H05B 47/11
2020/0018474 A1* 1/2020 Sturman F21V 17/101
2020/0056777 A1* 2/2020 Cobanoglu A41D 27/085

* cited by examiner

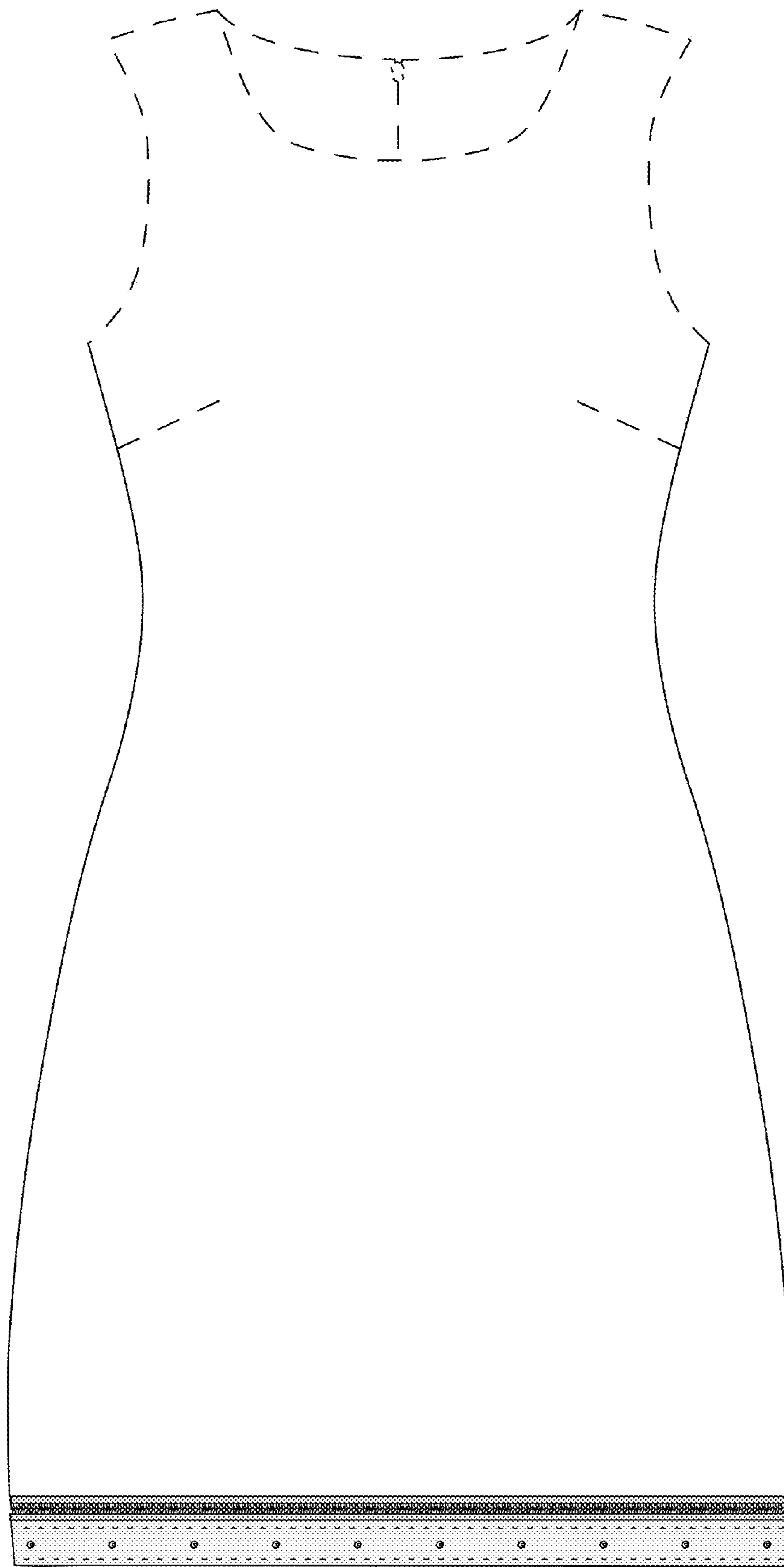


FIG. 1

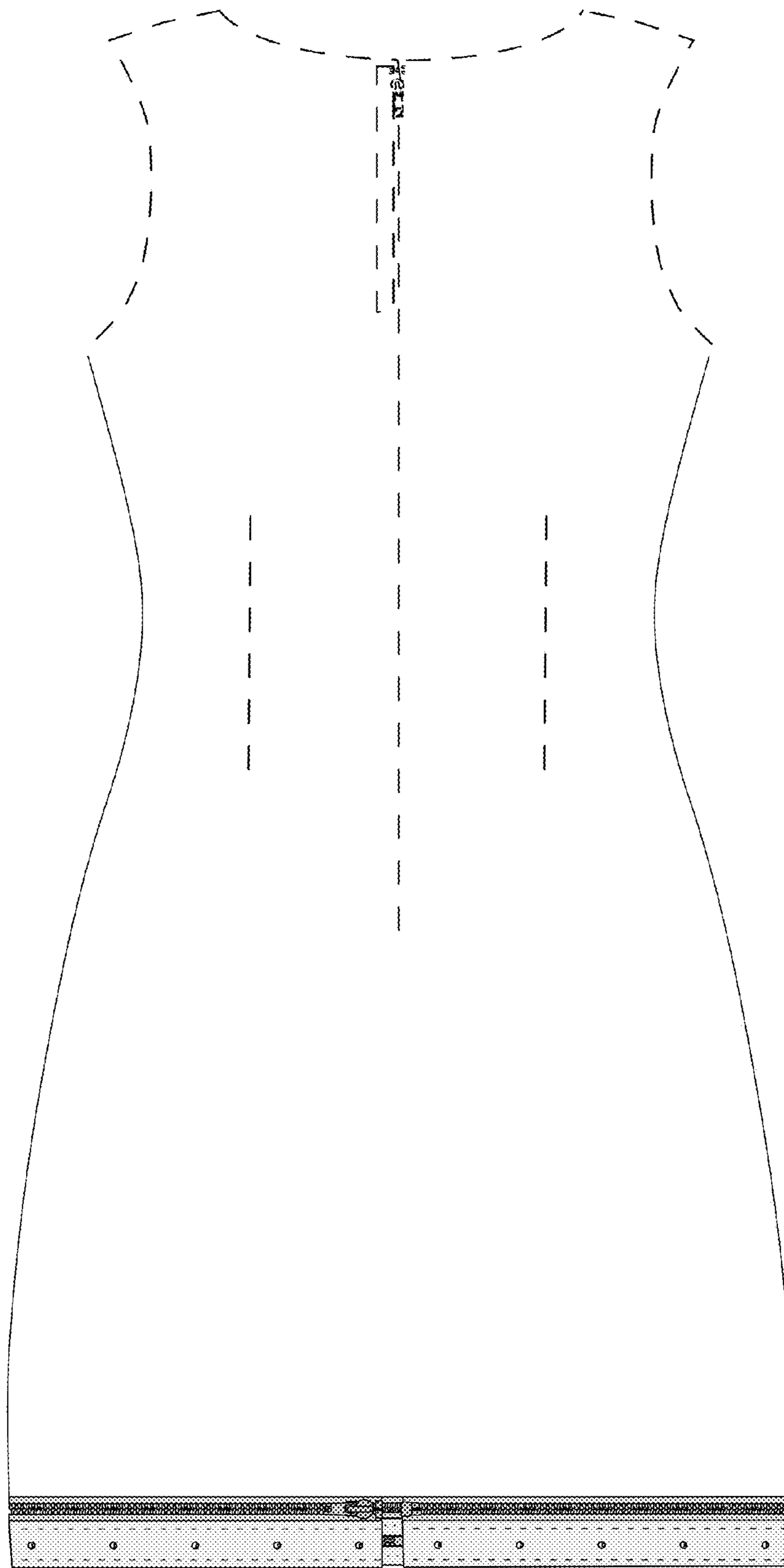


FIG. 2

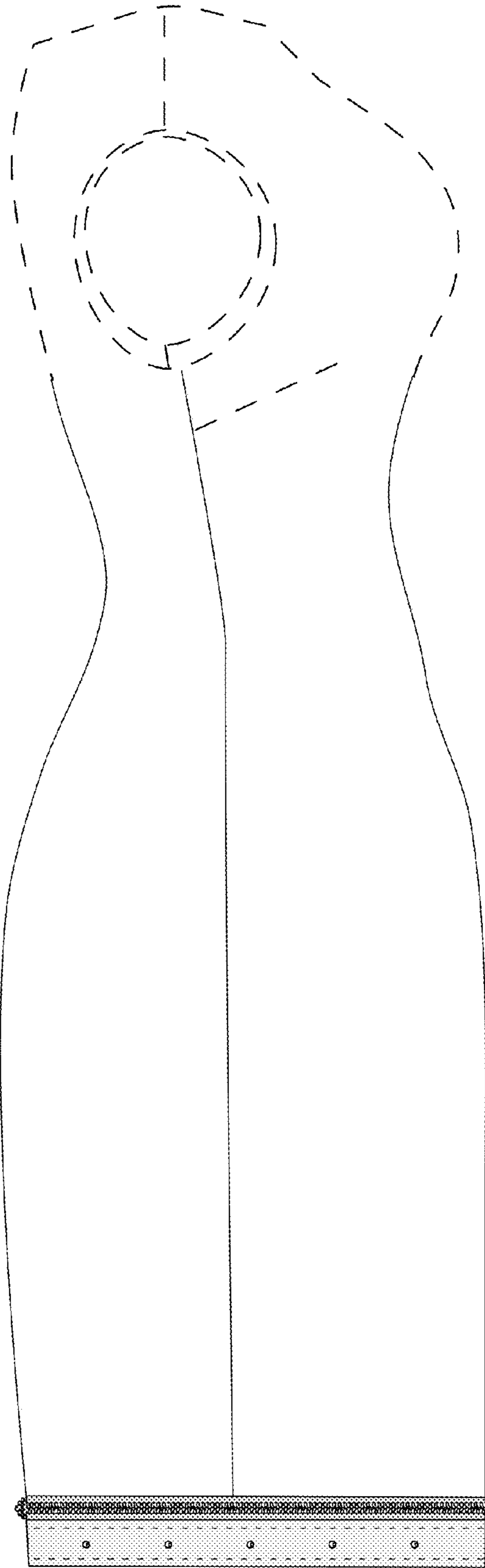


FIG. 3

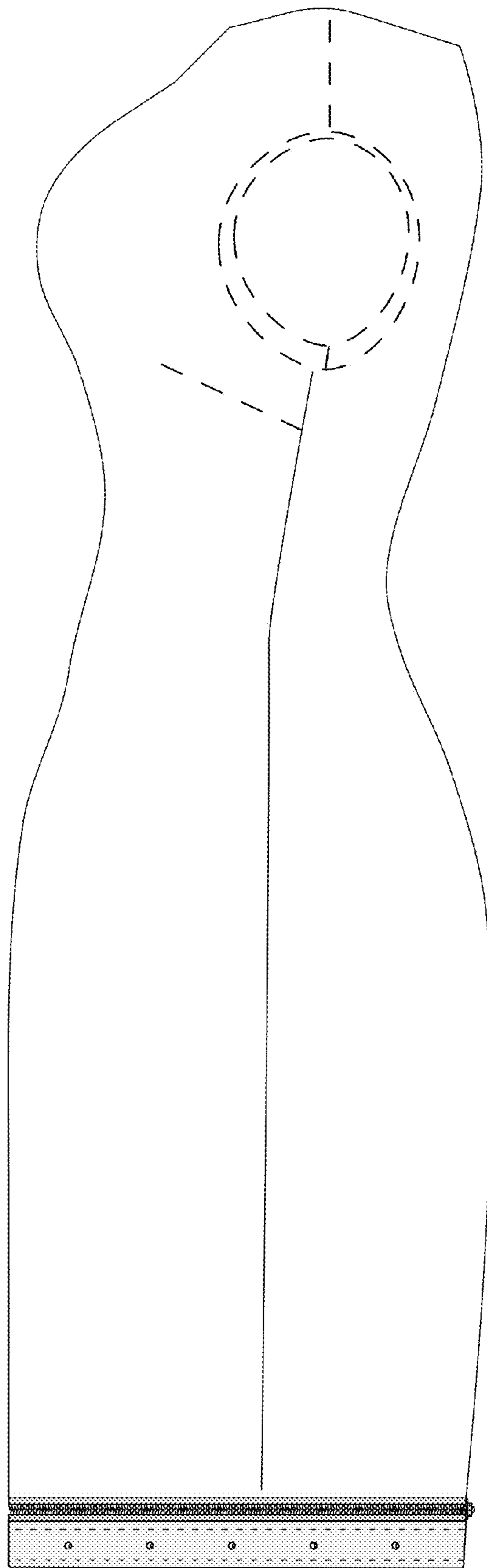


FIG. 4

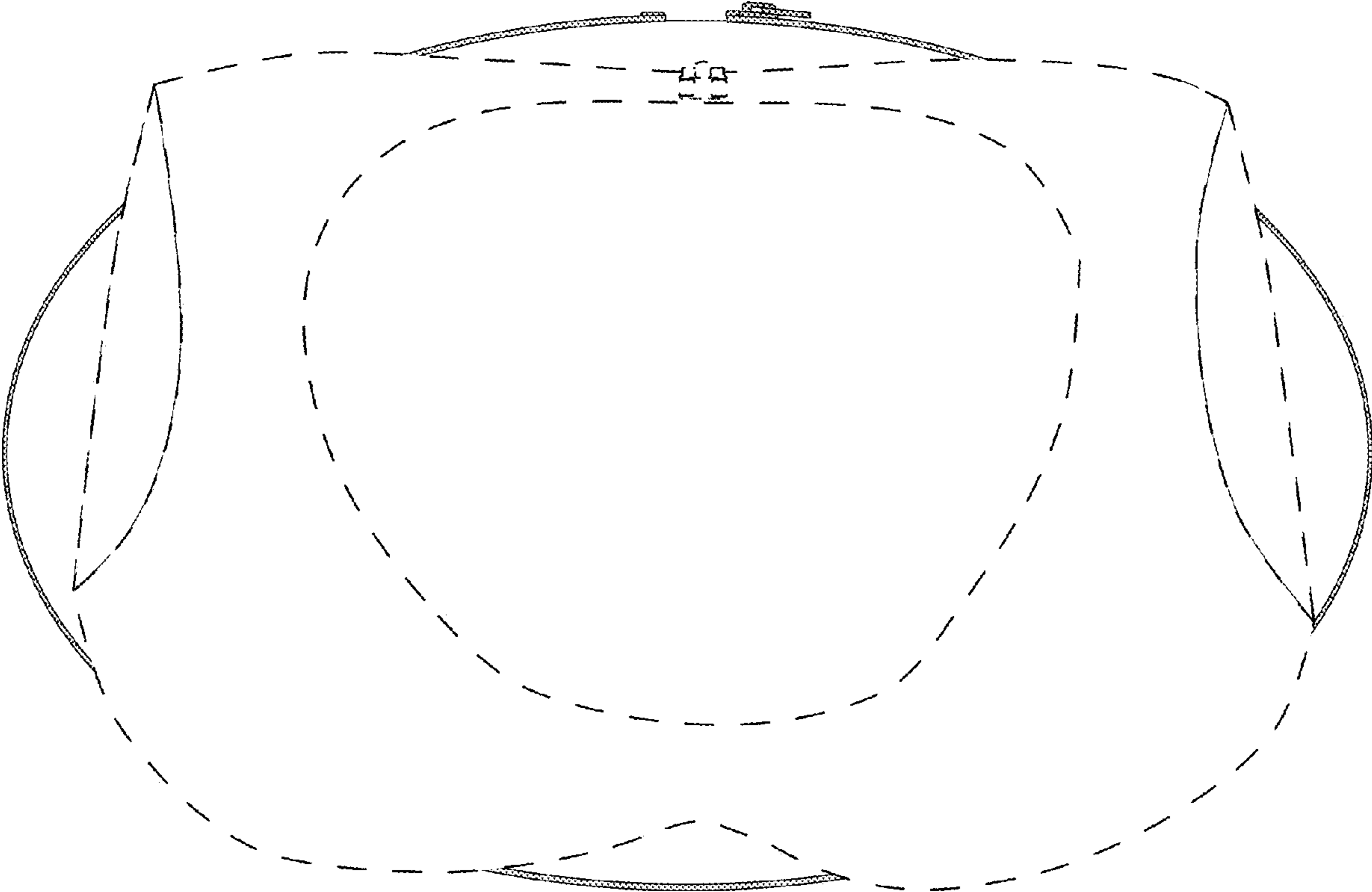


FIG. 5

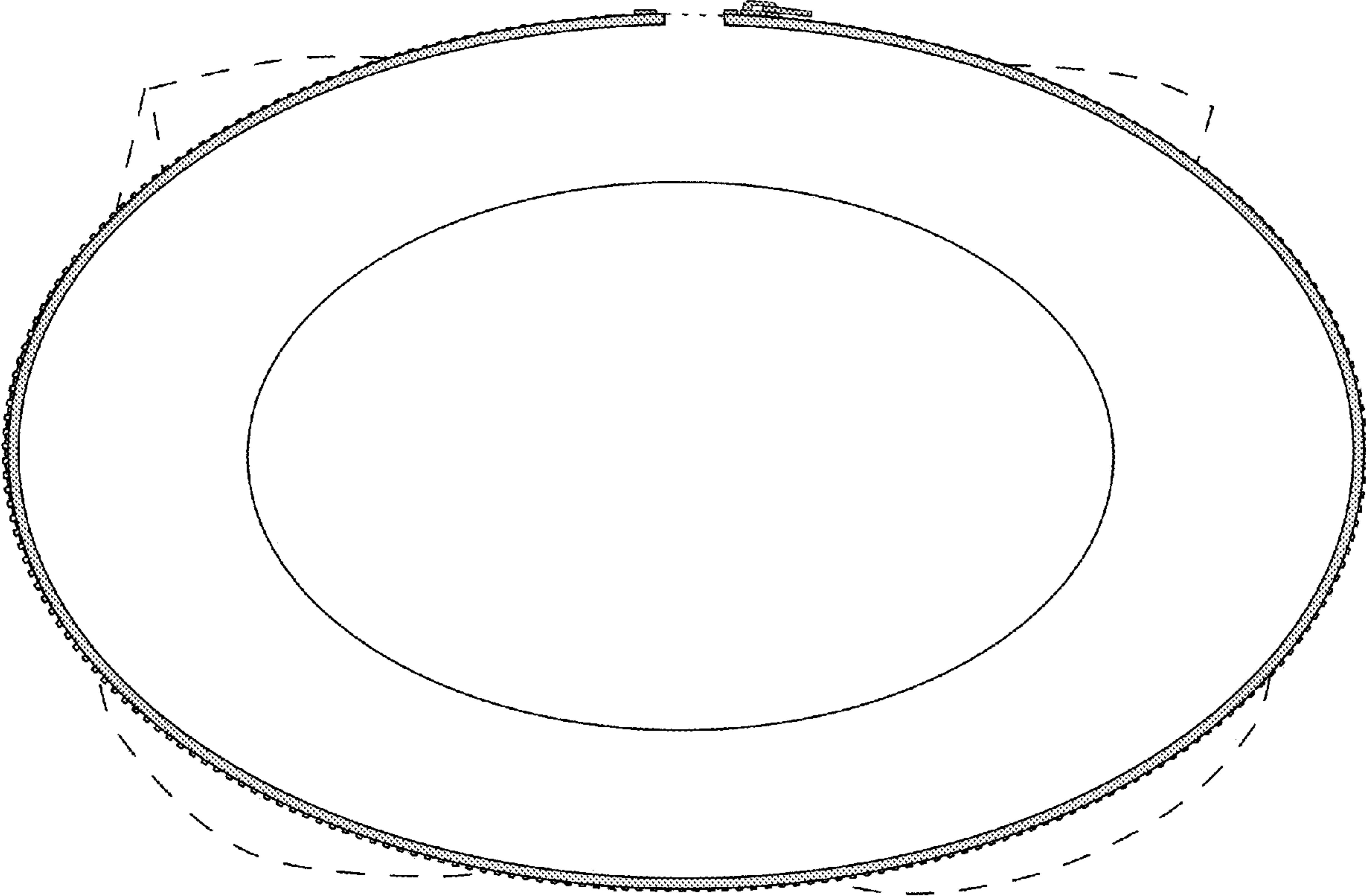


FIG. 6

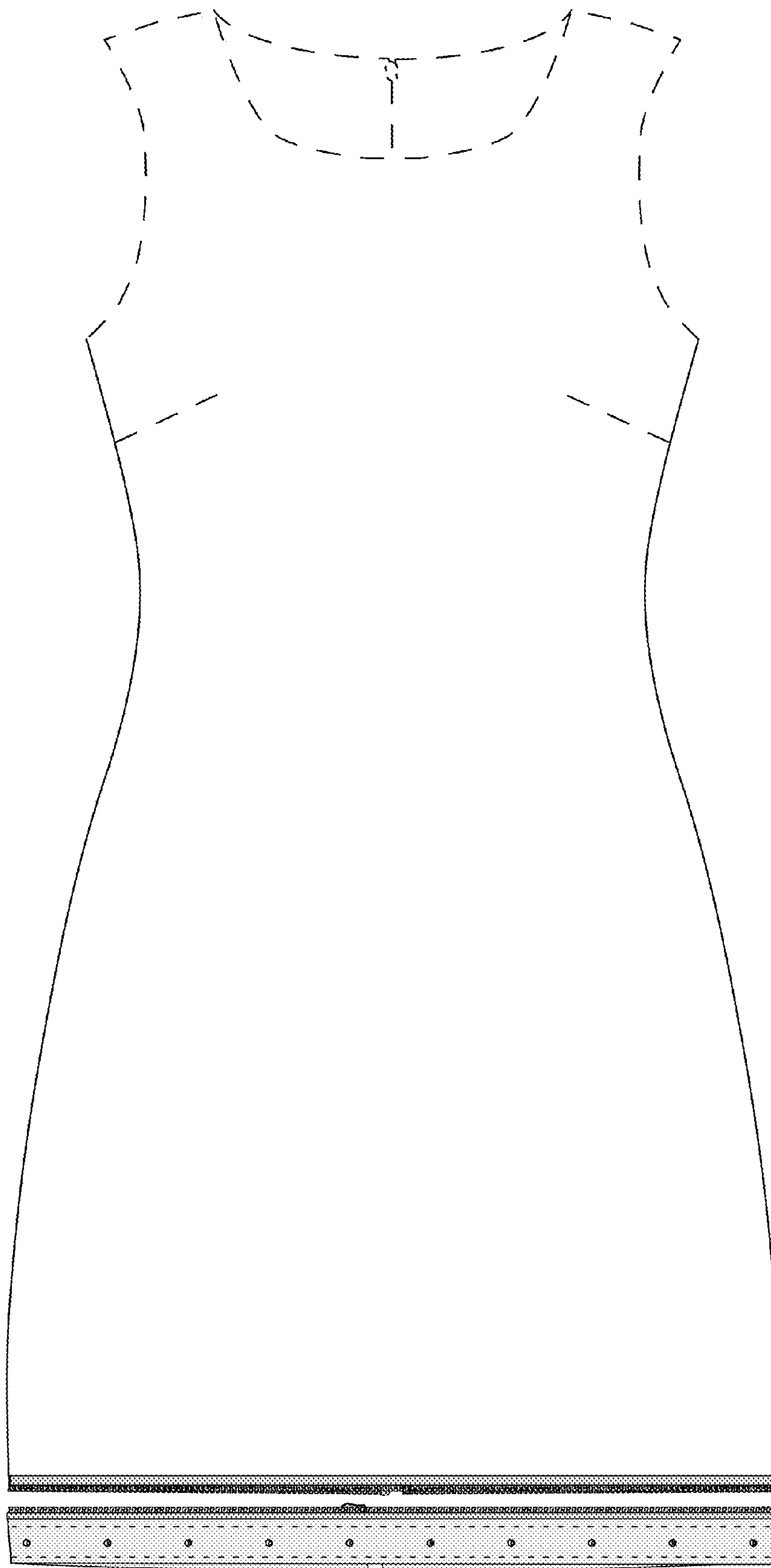


FIG. 7

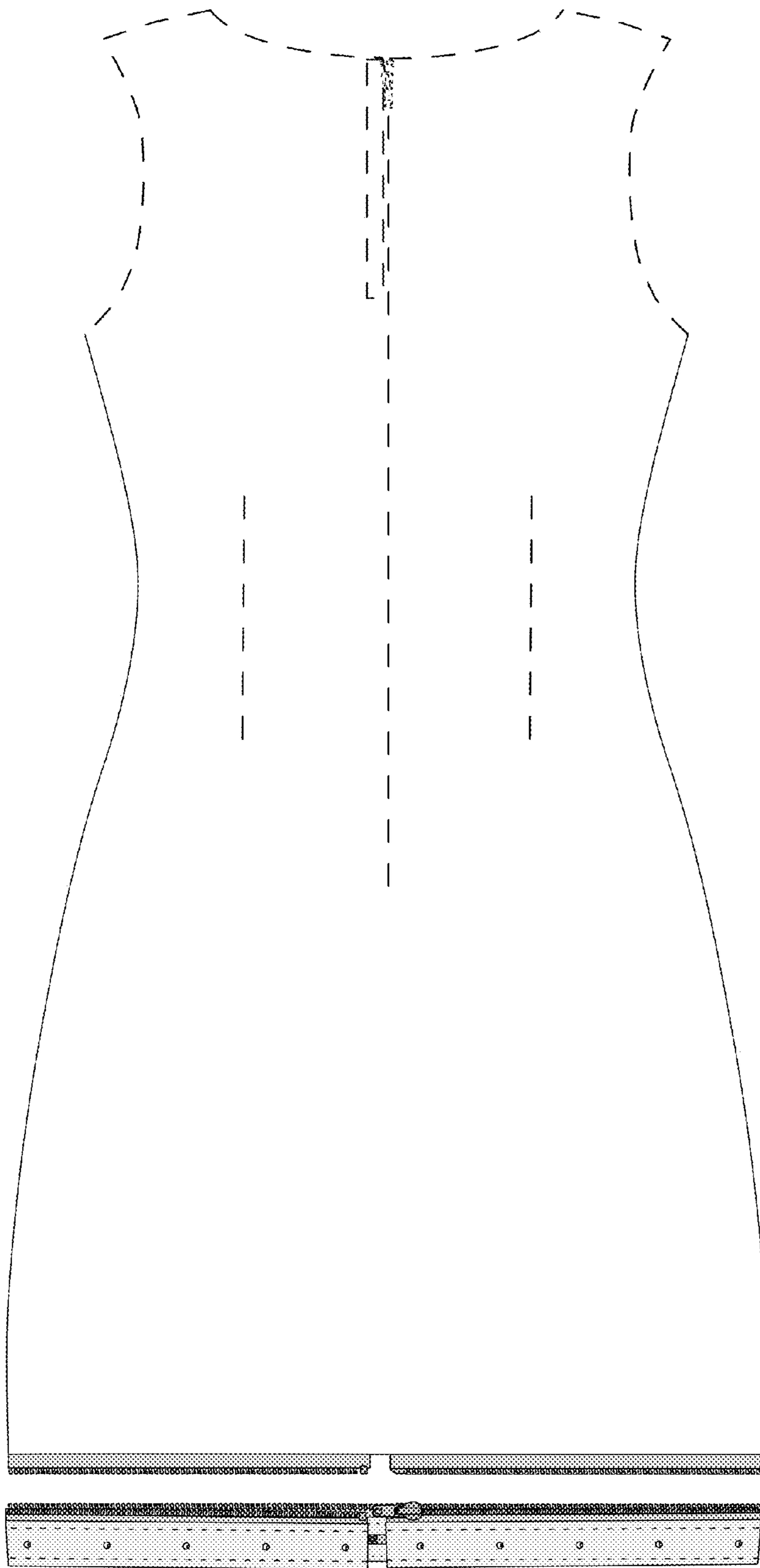


FIG. 8

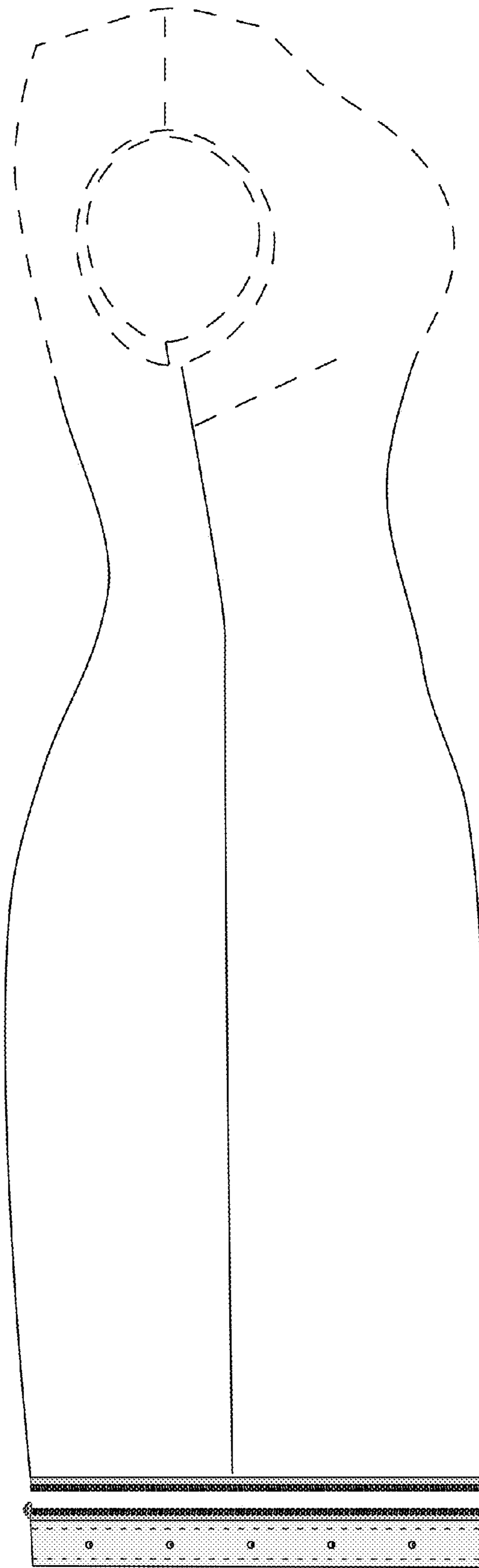


FIG. 9

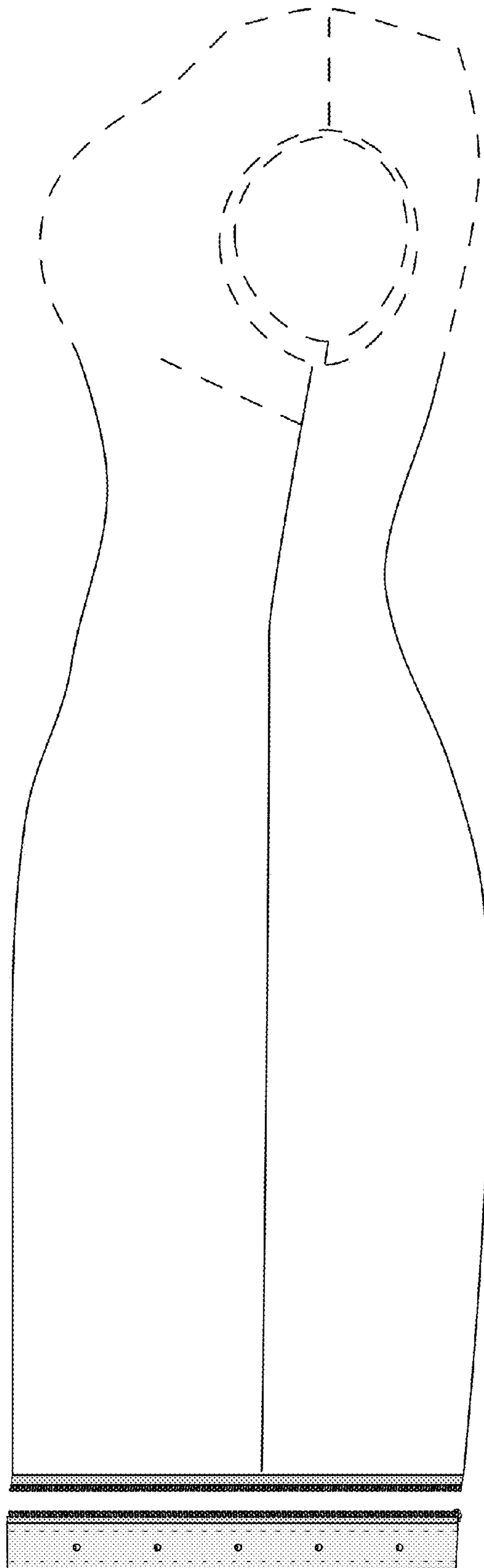


FIG. 10

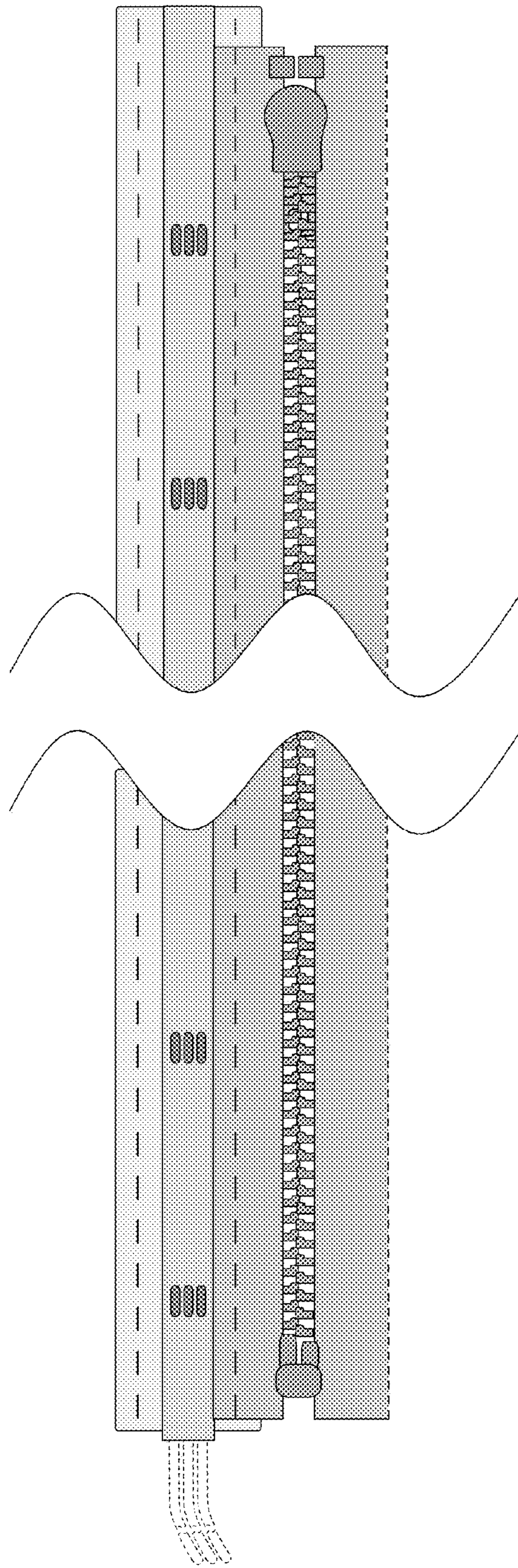


FIG. 11

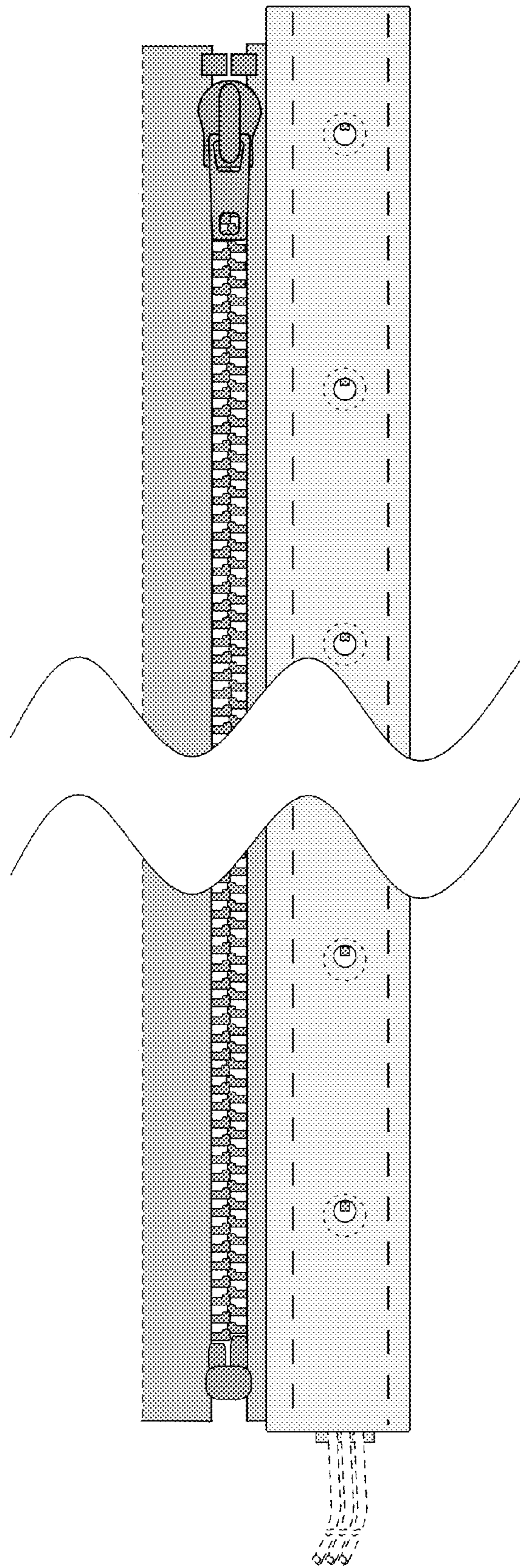


FIG. 12

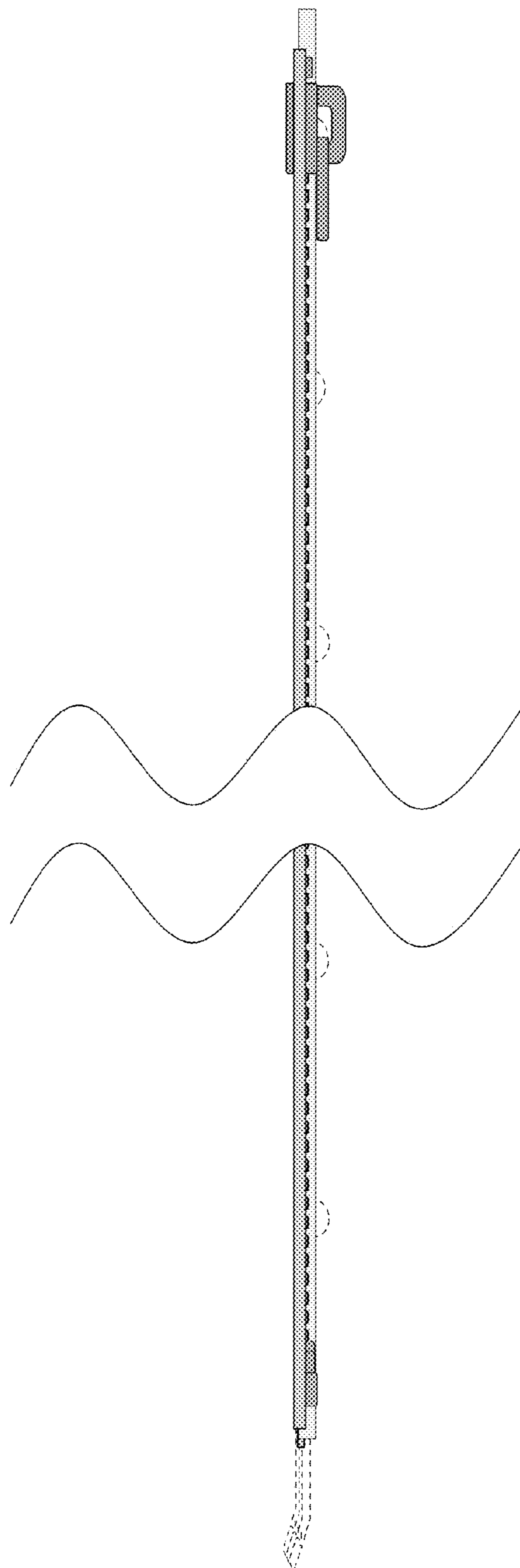


FIG. 13

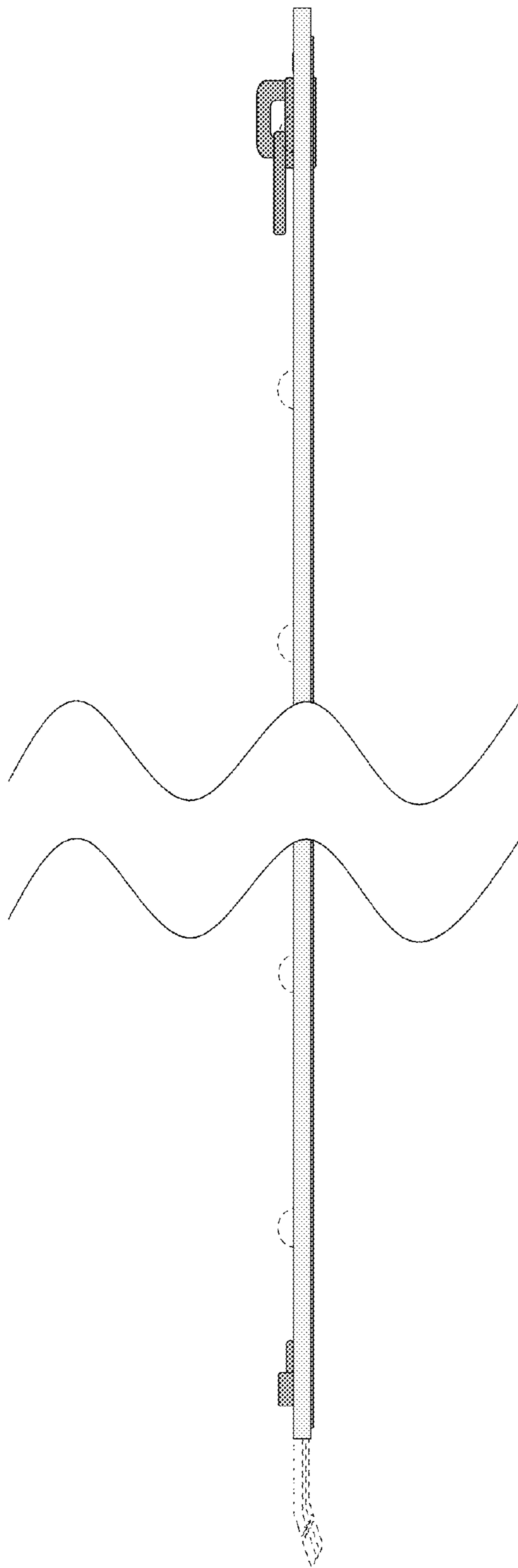


FIG. 14

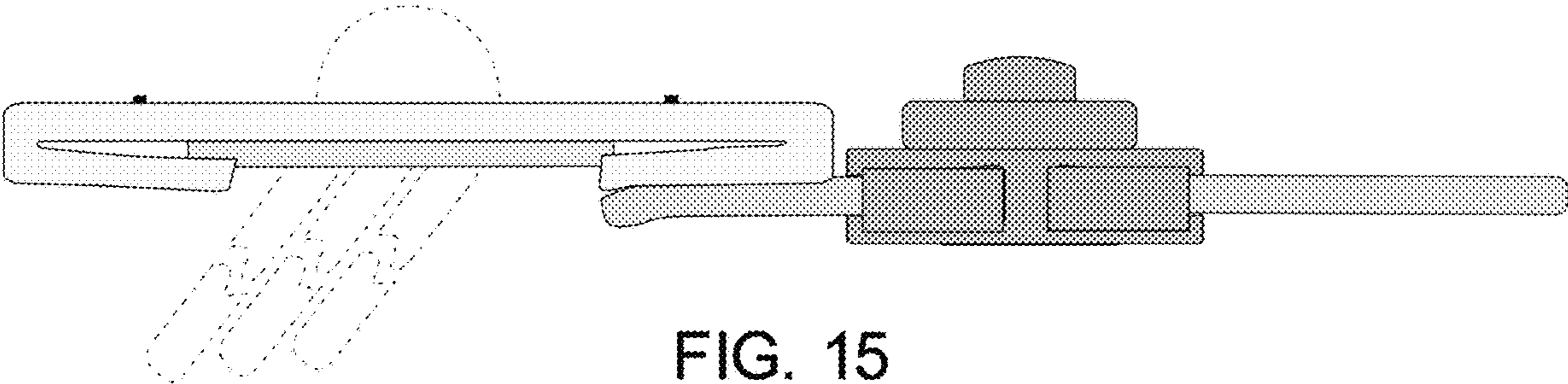


FIG. 15

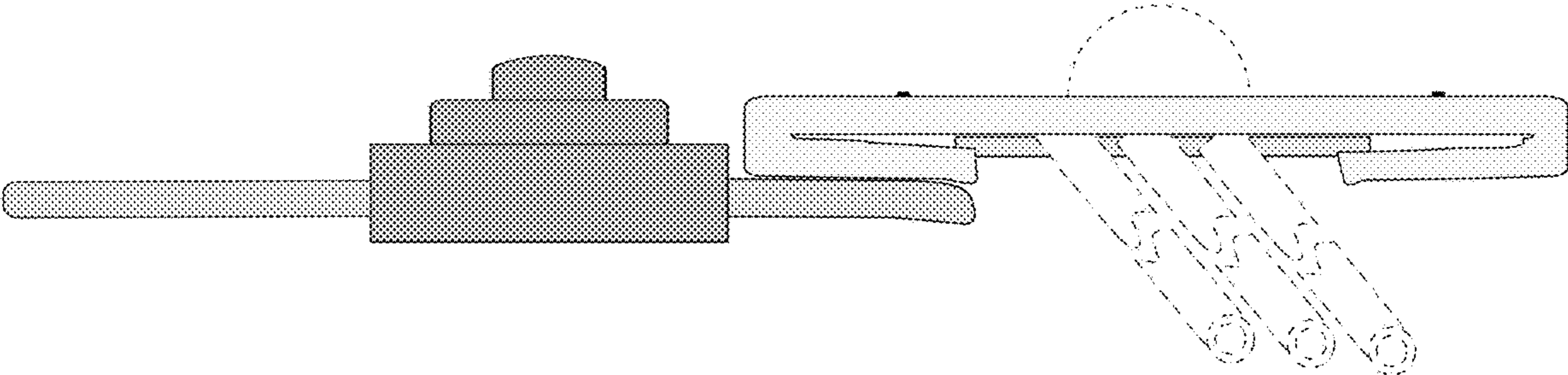


FIG. 16

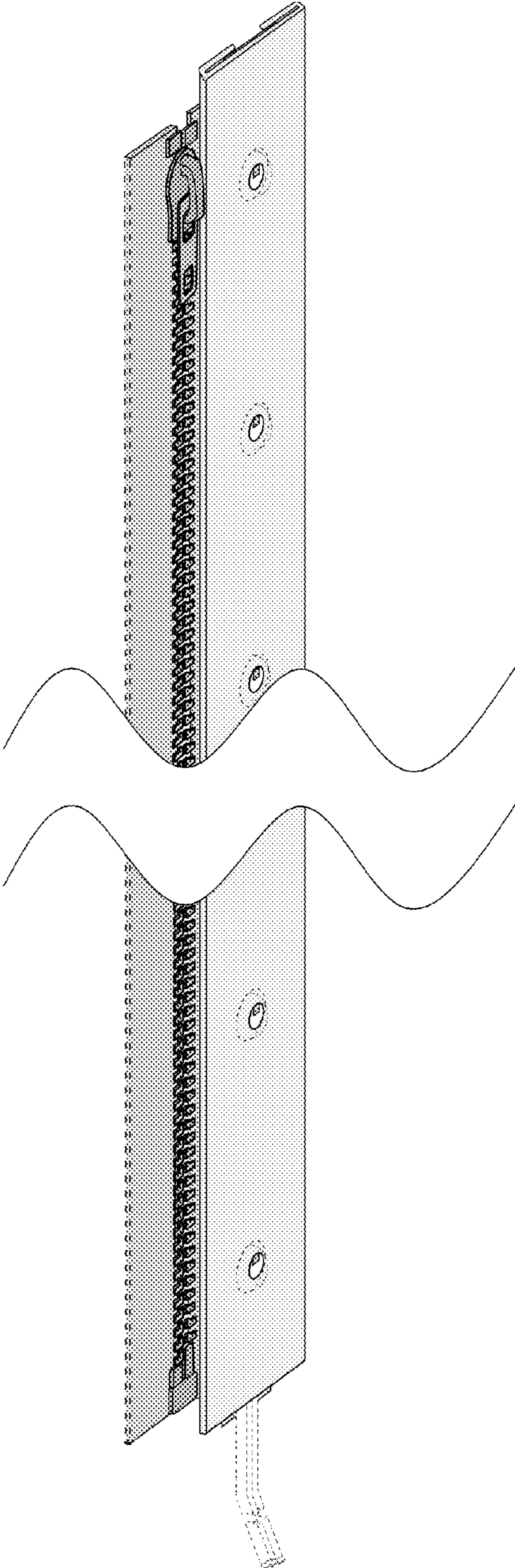


FIG. 17