



US00D932140S

(12) **United States Design Patent** (10) **Patent No.:** **US D932,140 S**
Yang (45) **Date of Patent:** **** Oct. 5, 2021**

(54) **LOWER BODY GARMENT**
(71) Applicant: **Paul Yang**, Vernon, CA (US)
(72) Inventor: **Paul Yang**, Vernon, CA (US)
(**) Term: **15 Years**

D856,635 S 8/2019 Brown
10,426,201 B2 * 10/2019 DeBusk D04B 1/225
2013/0019371 A1 * 1/2013 Abeysekera A61F 5/028
2/69
2014/0196196 A1 * 7/2014 Lee A41F 7/00
2/400

(Continued)

(21) Appl. No.: **29/704,688**
(22) Filed: **Sep. 6, 2019**
(51) **LOC (13) Cl.** **02-02**
(52) **U.S. Cl.**
USPC **D2/853**
(58) **Field of Classification Search**
USPC D2/853, 712, 731, 738, 742
CPC A41B 9/14; A41B 9/001; A41D 31/18;
A41D 1/06
See application file for complete search history.

OTHER PUBLICATIONS

Fabletics High-Waisted Seamless Rib Legging, posted NA [online], (retrieved Jan. 20, 2021). Retrieved from the internet, https://www.fabletics.com/products/HIGHWAISTED-SEAMLESS-RIB-LEGGING--REG-LG2042139-2043?psrc=also_love (Year: NA) (Year: NA) (Year: NA) (Year: NA).*

(Continued)

Primary Examiner — Kevin K Rudzinski
Assistant Examiner — J. Thorn, Sr.
(74) *Attorney, Agent, or Firm* — Blank Rome LLP

(56) **References Cited**

(57) **CLAIM**

U.S. PATENT DOCUMENTS

The ornamental design for a lower body garment, as shown and described.

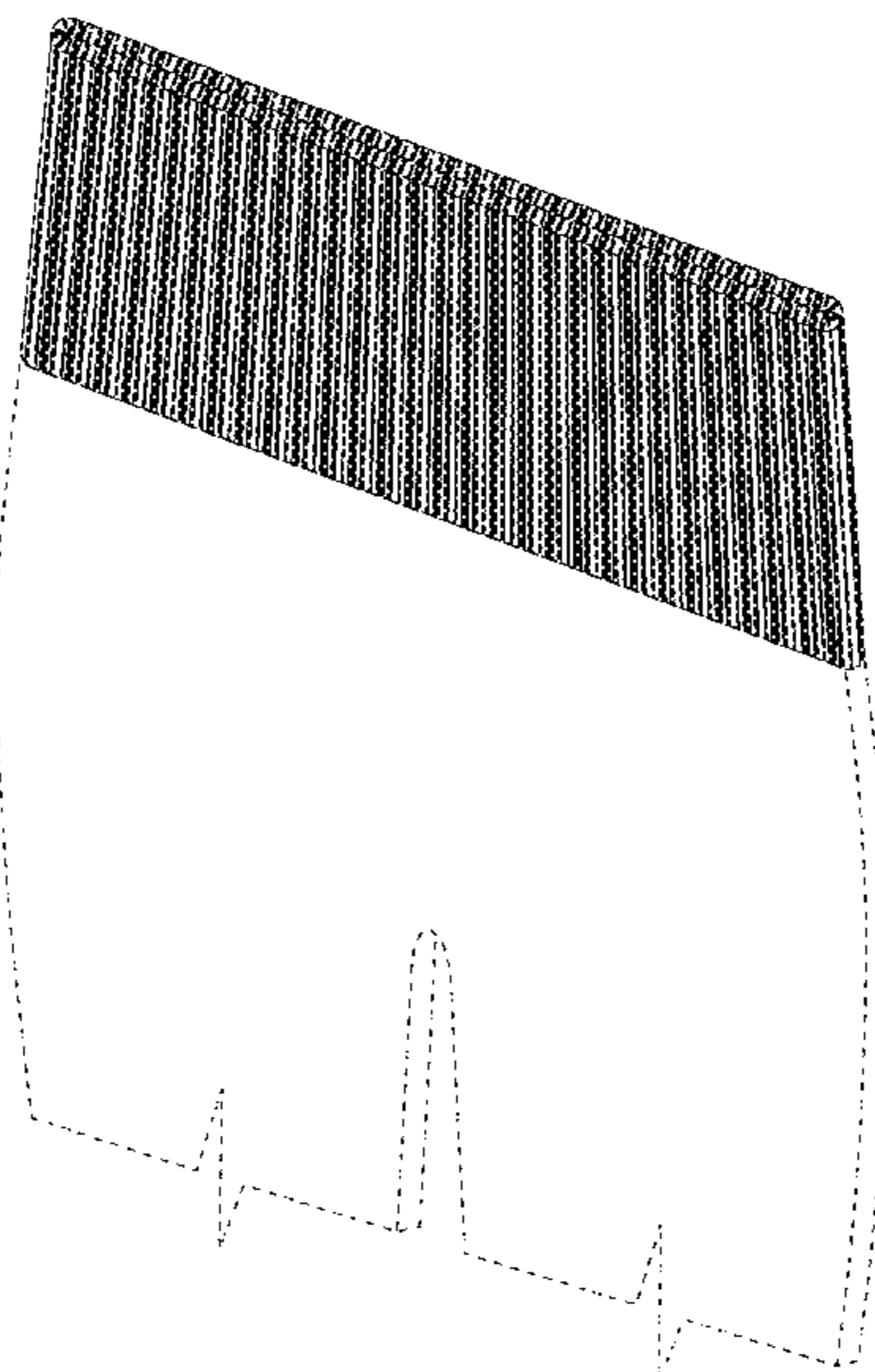
2,443,951 A * 6/1948 Fenton A41F 9/02
2/237
4,642,818 A * 2/1987 Dehnert A41B 9/001
2/400
D618,435 S * 6/2010 Iamartino D2/742
D644,819 S * 9/2011 Chang D2/712
D686,799 S * 7/2013 Farina D2/742
D686,801 S * 7/2013 Farina D2/853
D687,214 S * 8/2013 Farina D2/853
D706,018 S * 6/2014 Gesser D2/712
D710,068 S * 8/2014 Garcia D2/742
8,990,970 B2 * 3/2015 Lee A41B 9/02
2/307
D730,624 S 6/2015 Prpic et al.
D741,571 S 10/2015 Tulin et al.
D783,939 S * 4/2017 Scott D2/742
D786,534 S 5/2017 Alligood et al.
D790,159 S * 6/2017 Moore D2/731
D791,436 S * 7/2017 Moore D2/731
D795,535 S 8/2017 Azoulay
D835,885 S 12/2018 Park

DESCRIPTION

FIG. 1 is a perspective view of a lower body garment of the present design;
FIG. 2 is a front view thereof;
FIG. 3 is a back view thereof;
FIG. 4 is a right side view thereof;
FIG. 5 is a left side view thereof;
FIG. 6 is a top view thereof; and,
FIG. 7 is a bottom view thereof.

The broken line portions of the lower body garment are for illustrative purposes only, showing environmental structure, and form no part of the claimed design. The lower body garment is shown with a symbolic break in length, indicating variable length.

1 Claim, 7 Drawing Sheets



(56)

References Cited

U.S. PATENT DOCUMENTS

2019/0373970 A1 * 12/2019 Bolker A41D 1/089

OTHER PUBLICATIONS

Pro Fit Women's Fleece Lined Leggings High Waist Soft Pants, posted 2019 [online], (retrieved Jan. 20, 2021). Retrieved from the internet, https://www.amazon.com/PRO-FIT-Womens-Leggings-PF02-Olive/dp/B07XH46Q2B/ref=sr_1_203_sspa?dchild=1&keywords=ribbed+waistband&qid=%E2%80%A6 (Year: 2019).*

* cited by examiner

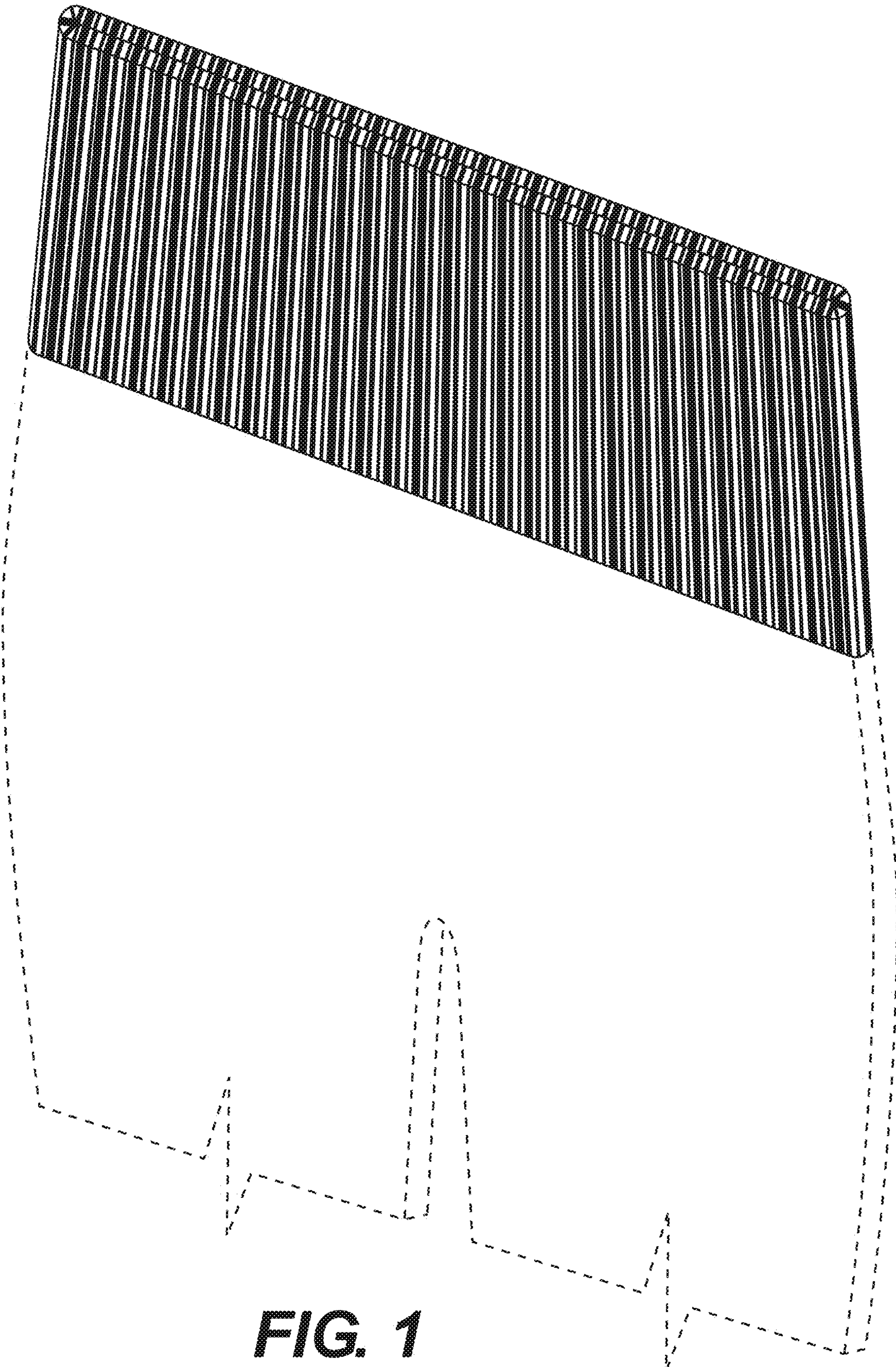


FIG. 1

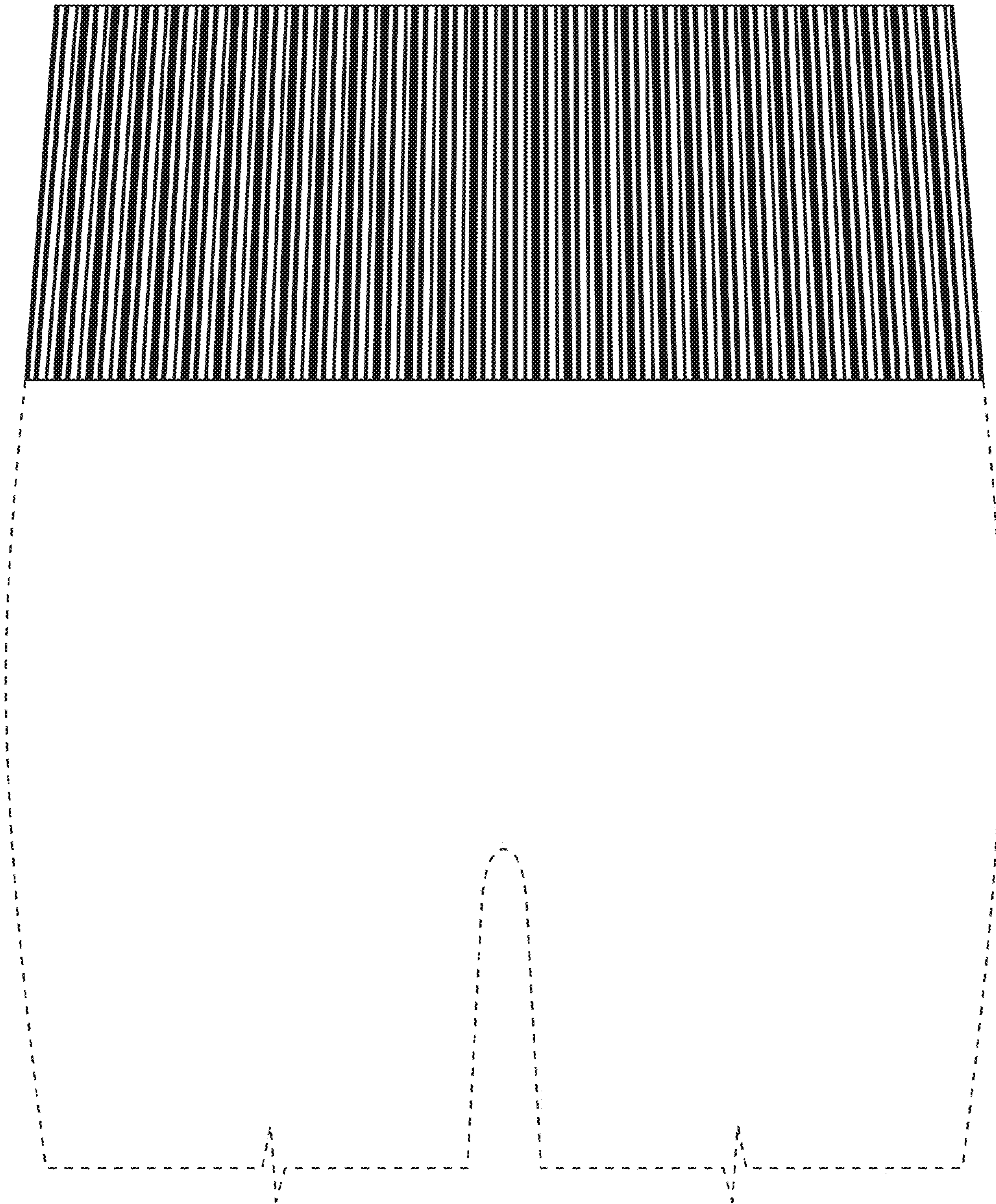


FIG. 2

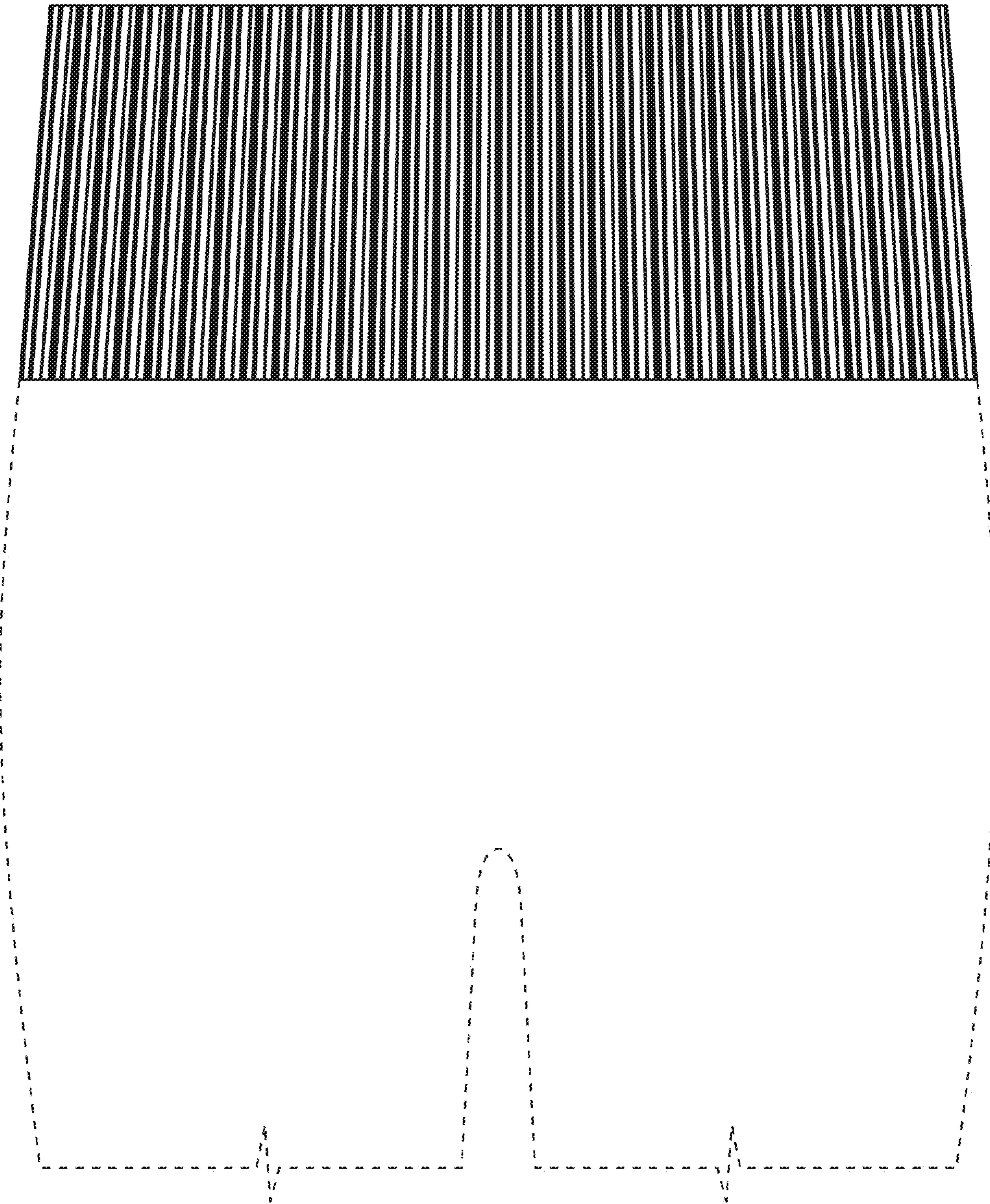


FIG. 3

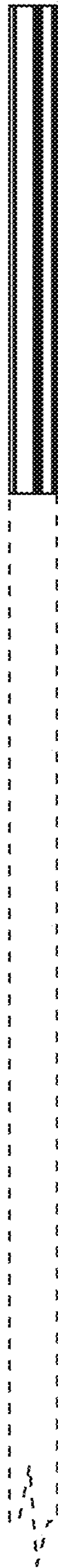


FIG. 4

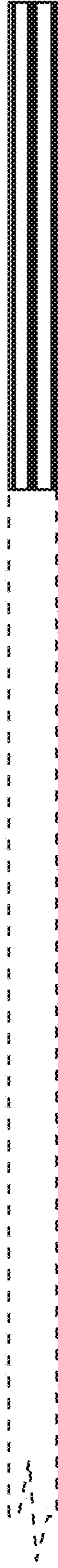


FIG. 5



FIG. 6

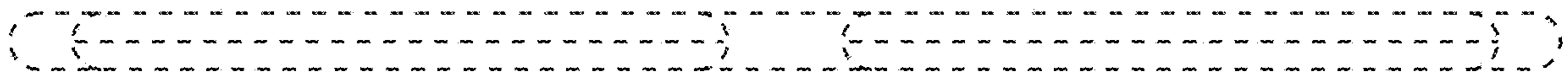


FIG. 7