



US00D932139S

(12) **United States Design Patent** (10) **Patent No.:** **US D932,139 S**  
**Laub** (45) **Date of Patent:** **\*\* Oct. 5, 2021**

- (54) **CONVERTIBLE GARMENT**
- (71) Applicant: **VELU LLC**, Glenbrook, NV (US)
- (72) Inventor: **Jordan K. Laub**, Glenbrook, NV (US)
- (73) Assignee: **Velu, LLC**, Glenbrook, NV (US)
- (\*\*) Term: **15 Years**
- (21) Appl. No.: **29/672,357**
- (22) Filed: **Dec. 5, 2018**
- (51) **LOC (13) Cl.** ..... **02-02**
- (52) **U.S. Cl.**  
USPC ..... **D2/828**
- (58) **Field of Classification Search**  
USPC ..... D2/828-829, 742, 909; D29/120.1  
CPC ..... A41D 15/00; A41D 17/00; A41D 17/02;  
A61F 13/085  
See application file for complete search history.

(56) **References Cited**

**U.S. PATENT DOCUMENTS**

4,599,812	A *	7/1986	Harmsen	.....	A61F 13/085	2/239
5,170,503	A *	12/1992	Hightower, Jr.	.....	A41D 17/02	2/22
6,199,217	B1 *	3/2001	Mooney	.....	A41D 17/00	2/240
D785,912	S *	5/2017	Velazquez	.....	D2/909	
D808,124	S *	1/2018	Therrien	.....	D2/828	
D892,436	S *	8/2020	Francis	.....	D2/750	
D895,933	S *	9/2020	Morales	.....	D2/828	
2006/0117598	A1 *	6/2006	Czaplewski	.....	A43B 3/163	36/2 R
2011/0138514	A1 *	6/2011	Morris	.....	A41D 17/00	2/22

(Continued)

**OTHER PUBLICATIONS**

Tres Bien Golf Women's 2 in 1 Convertible Jacket/Vest, posted May 16, 2013 [online], (retrieved May 27, 2021). Retrieved from the

internet, <https://www.amazon.com/Tres-Bien-Golf-Womens-Convertible/dp/B00DNDCJAU?th=1> (Year: 2013).\*

(Continued)

*Primary Examiner* — Kevin K Rudzinski  
*Assistant Examiner* — J. Thorn, Sr.  
(74) *Attorney, Agent, or Firm* — Dickinson Wright, PLLC; Michael E. Noe, Jr.

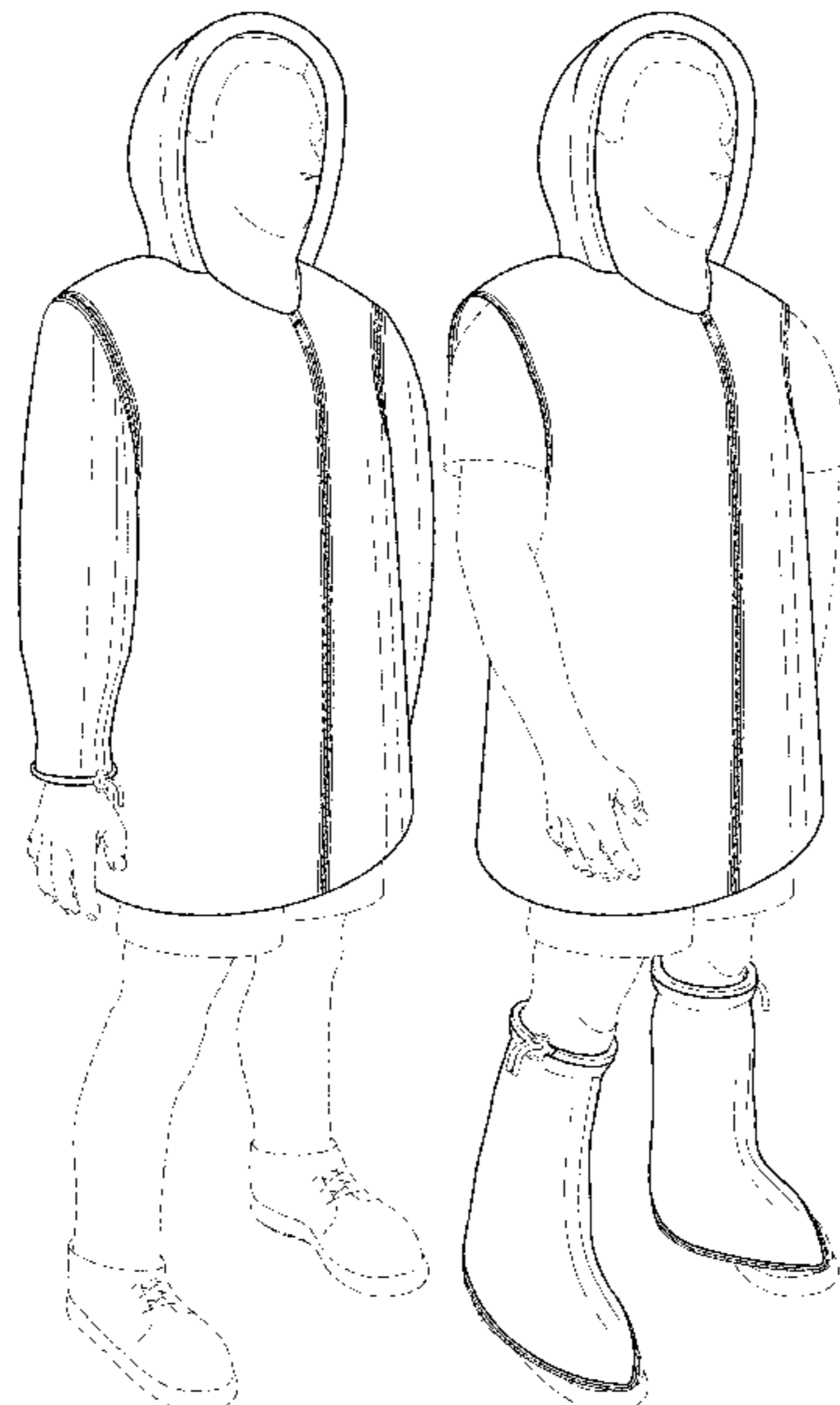
(57) **CLAIM**

The ornamental design for a convertible garment, substantially as shown and described.

**DESCRIPTION**

FIG. 1 is a front isometric view of a convertible garment showing my design.  
 FIG. 2 is a front view of FIG. 1.  
 FIG. 3 is a rear view of FIG. 1.  
 FIG. 4 is a right side view of FIG. 1.  
 FIG. 5 is a left side view of FIG. 1.  
 FIG. 6 is a top view of FIG. 1.  
 FIG. 7 is a bottom view of FIG. 1.  
 FIG. 8 is a front isometric view of the convertible garment of FIG. 1 with the sleeves removed from the jacket and worn as a vest and leggings.  
 FIG. 9 is a front view of FIG. 8.  
 FIG. 10 is a rear view of FIG. 8.  
 FIG. 11 is a right side view of FIG. 8.  
 FIG. 12 is a left side view of FIG. 8.  
 FIG. 13 is a top view of FIG. 8; and,  
 FIG. 14 is a bottom view of FIG. 8.  
 The broken line showing of the humanoid figure, shirt, shorts, and shoes in FIGS. 1 and 8-14 form no part of the claimed design. The broken lines in the drawings showing portions of the convertible garment form no part of the claimed design.

**1 Claim, 10 Drawing Sheets**



(56)

**References Cited**

U.S. PATENT DOCUMENTS

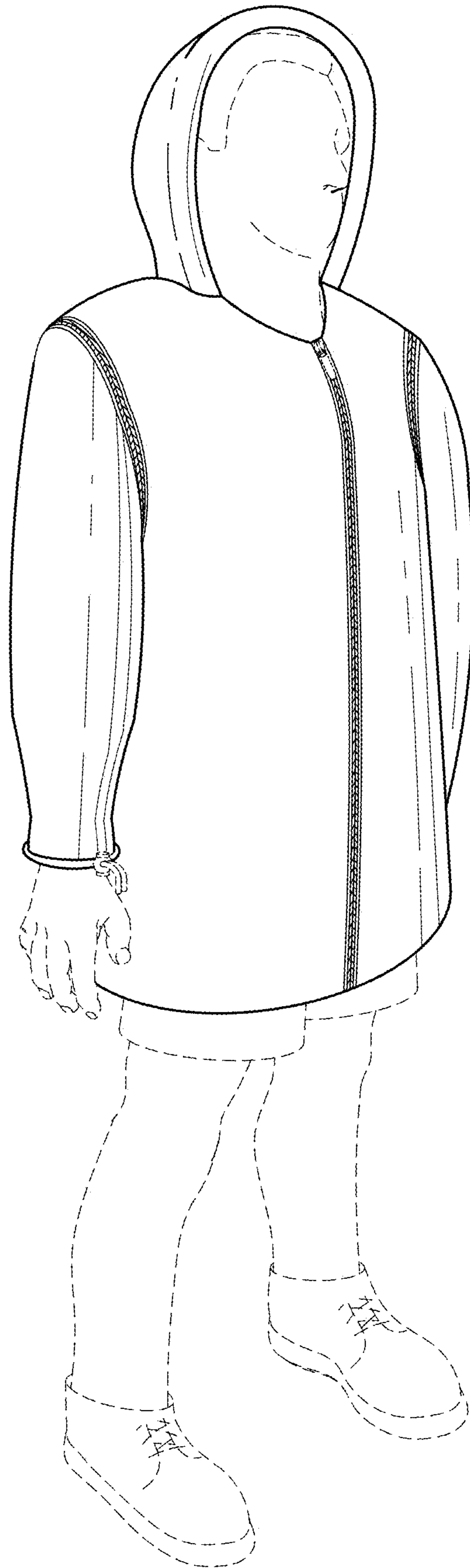
2017/0280789 A1\* 10/2017 Wilson ..... A61F 13/085  
2020/0178624 A1\* 6/2020 Laub ..... A41D 1/04

OTHER PUBLICATIONS

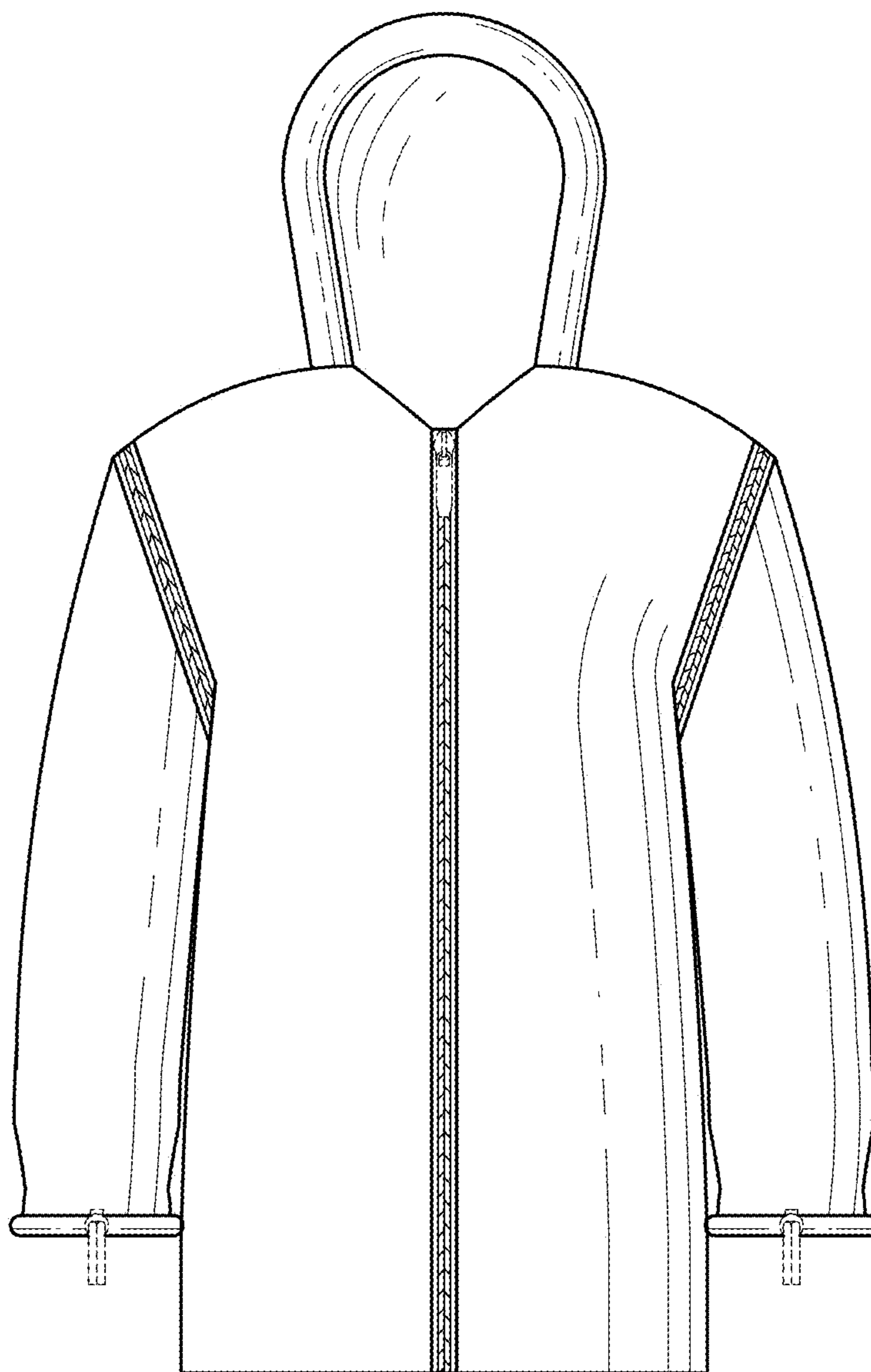
Pearl Izumi Men's ELITE Barrier Convertible Jacket, posted NA [online], (retrieved May 27, 2021). Retrieved from the internet, [https://www.moosejaw.com/product/pearl-izumi-men-s-elite-barrier-convertible-jacket\\_10295931](https://www.moosejaw.com/product/pearl-izumi-men-s-elite-barrier-convertible-jacket_10295931) (Year: NA).\*

\* cited by examiner

*FIG. 1*



*FIG. 2*



*FIG. 3*

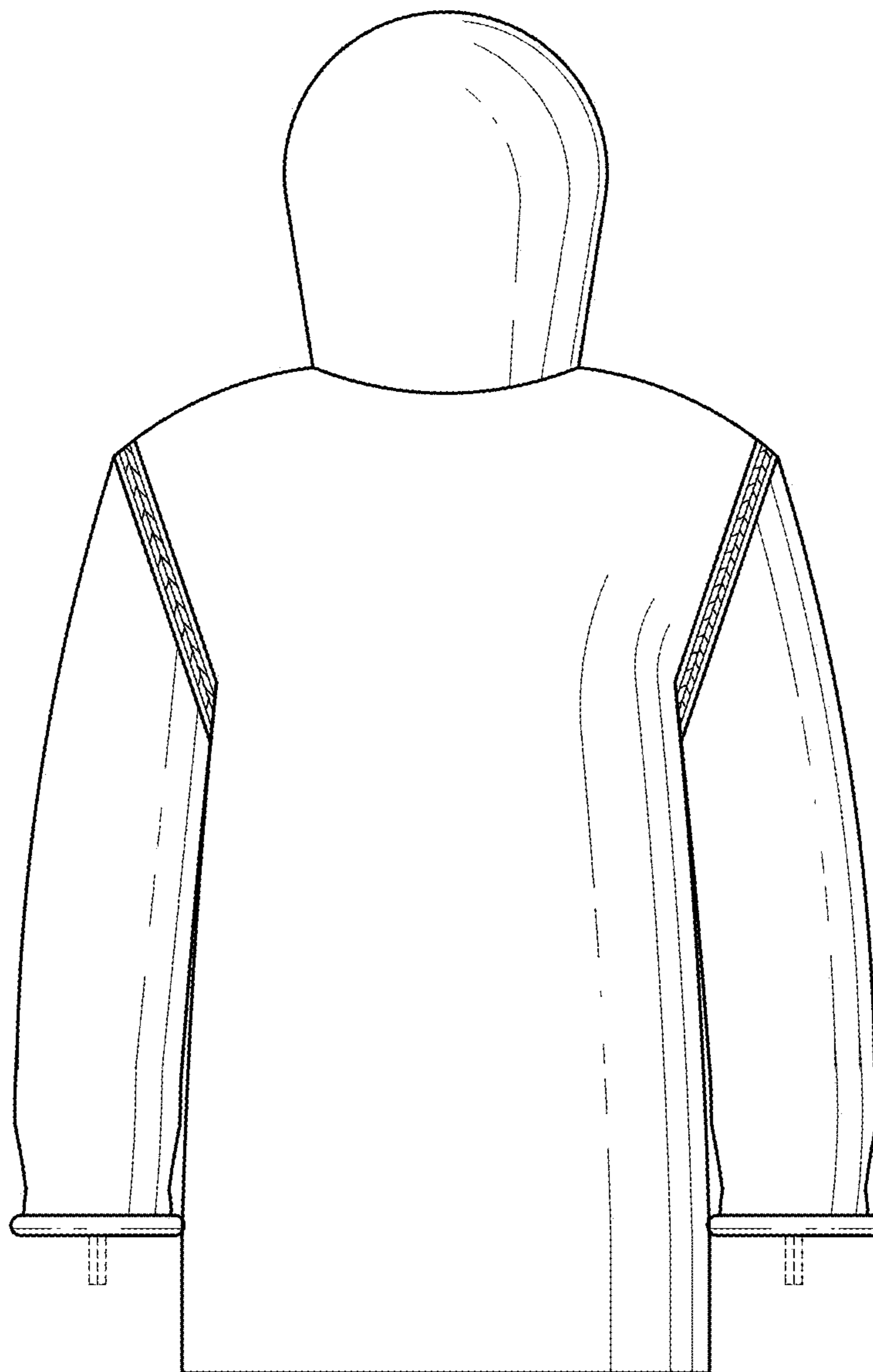


FIG. 4

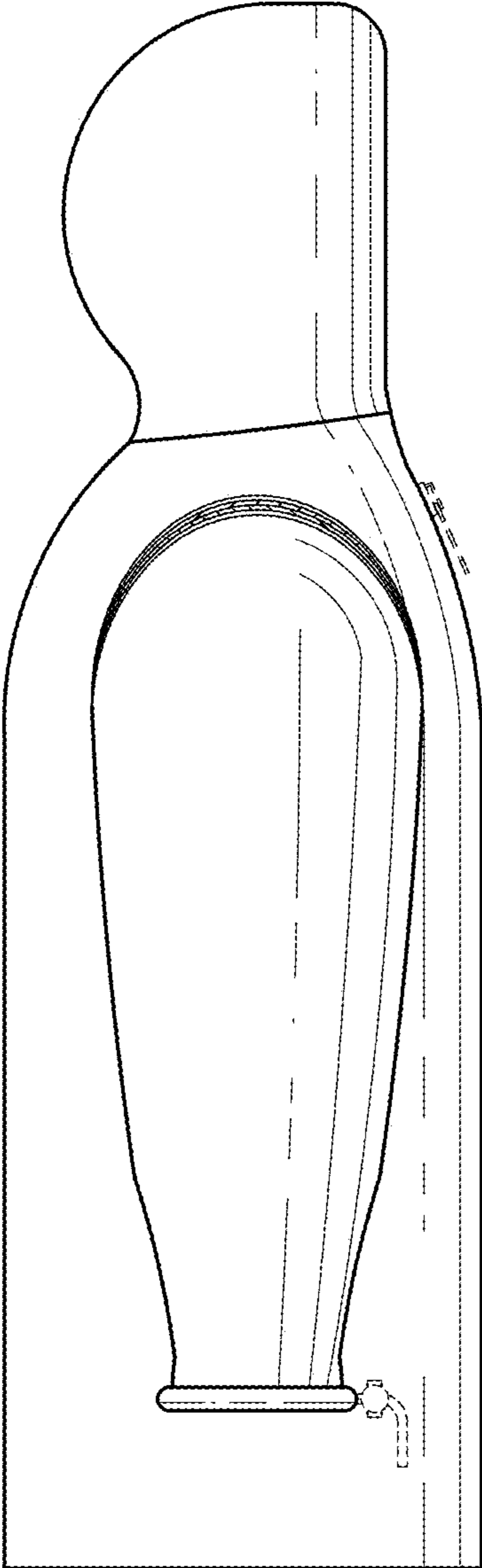
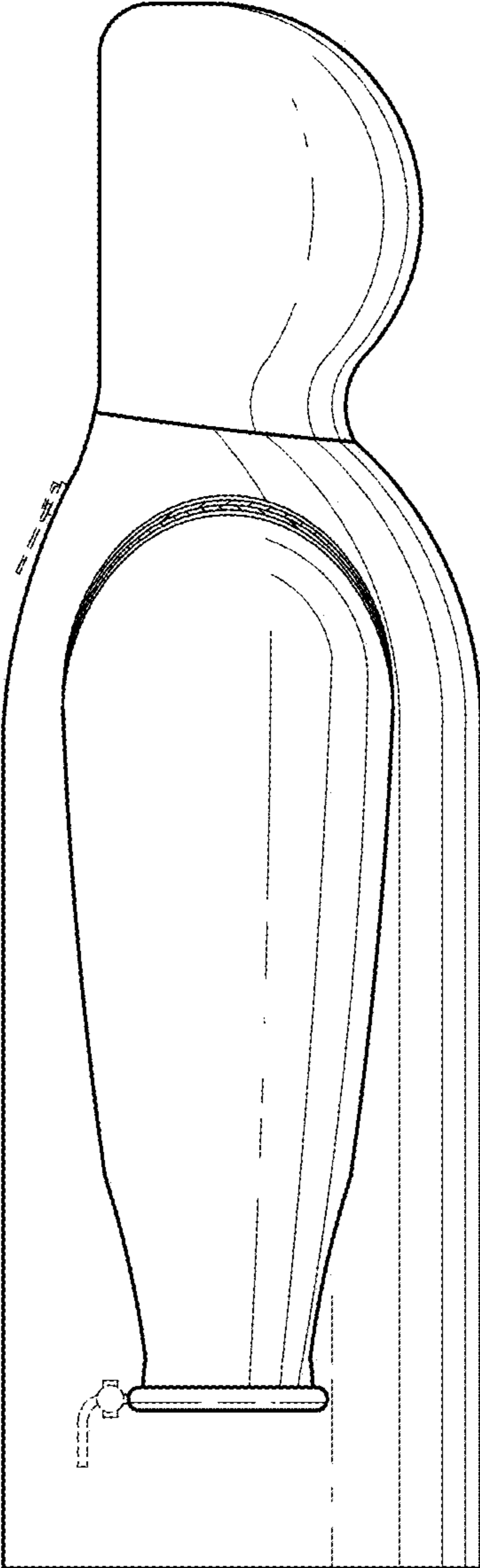
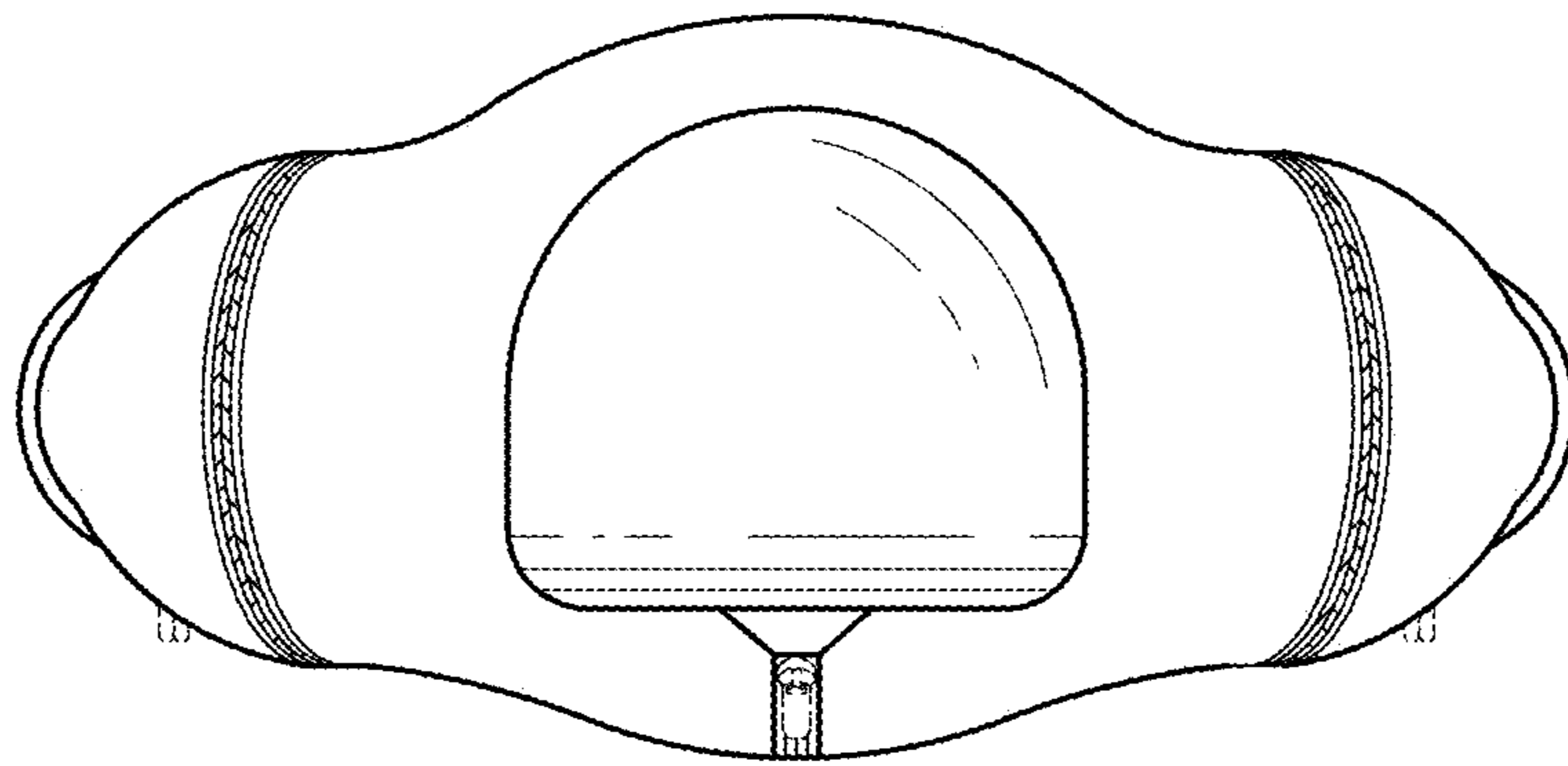
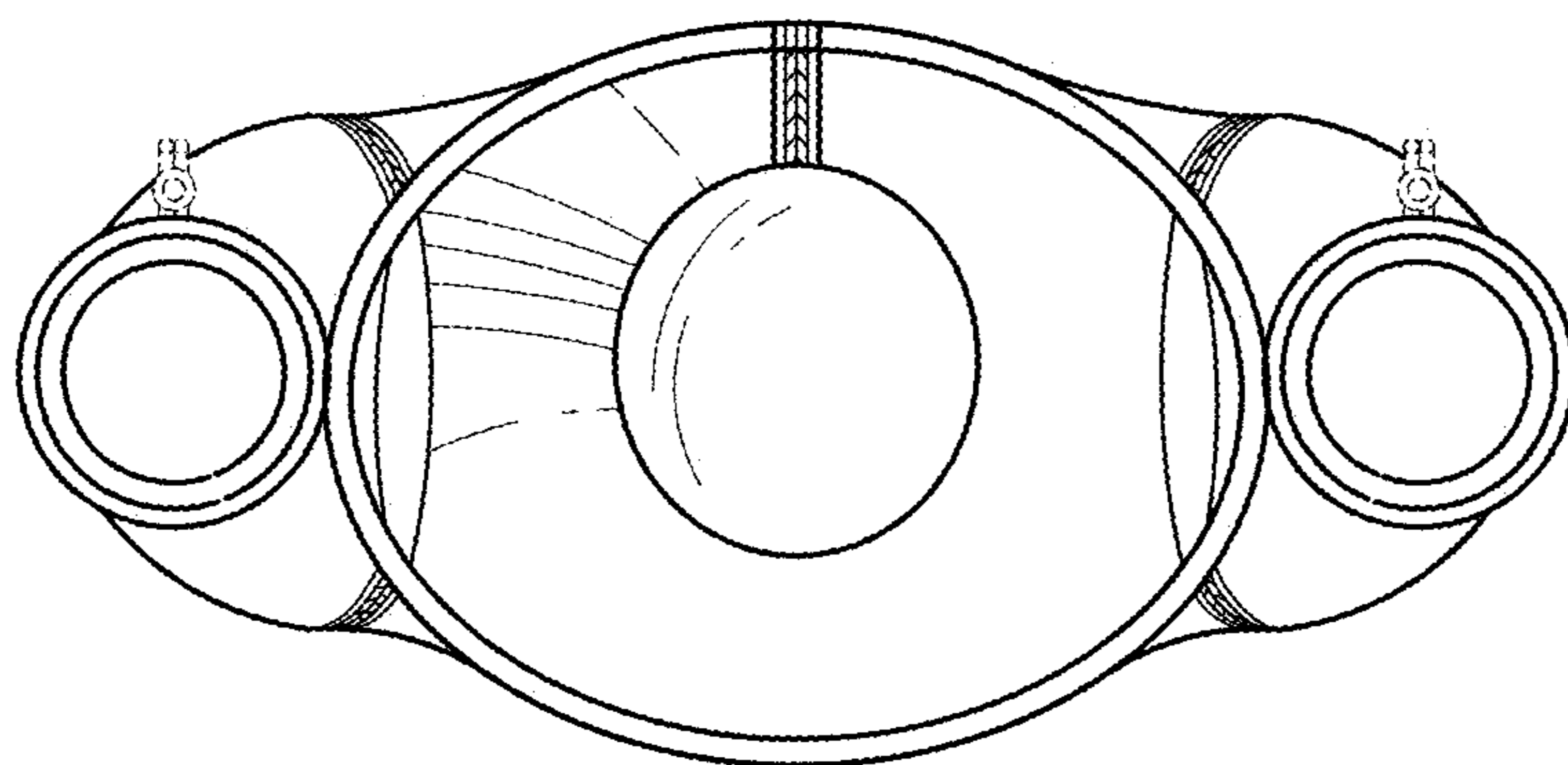


FIG. 5



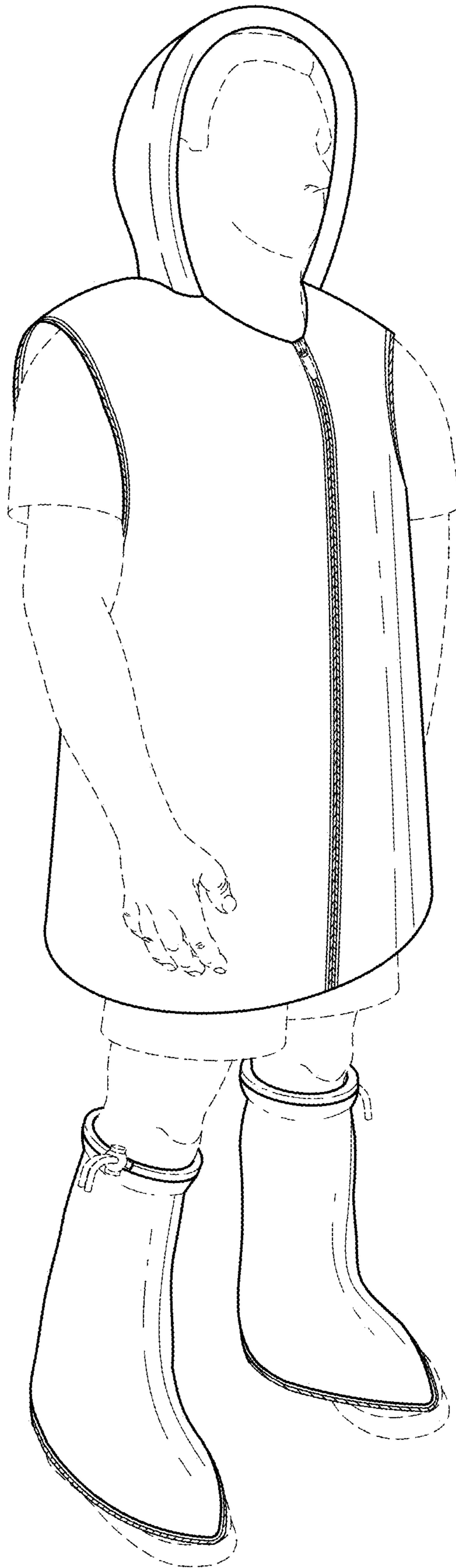


*FIG. 6*



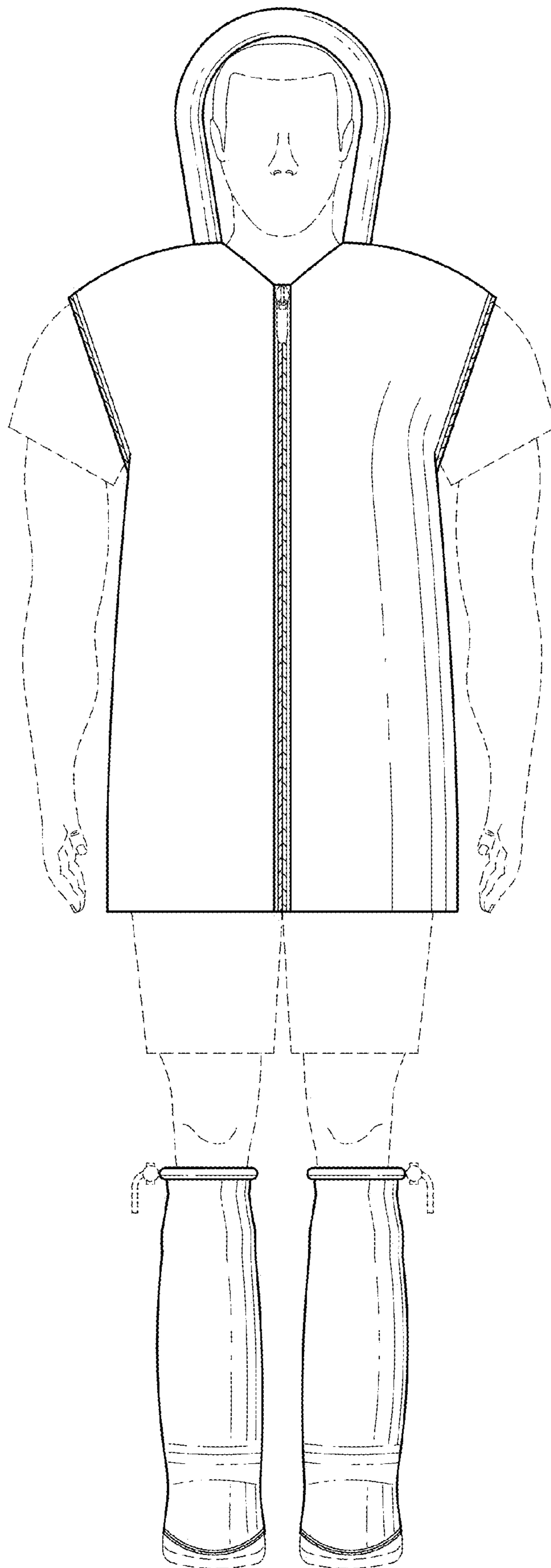
*FIG. 7*

*FIG. 8*

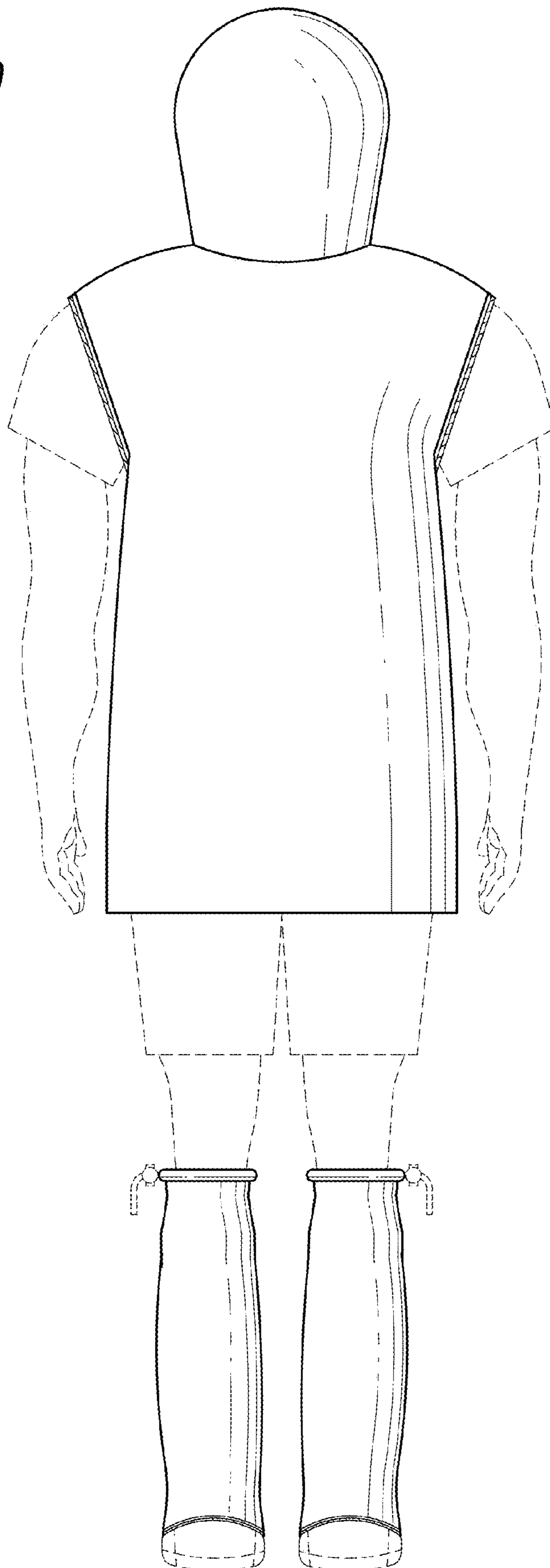


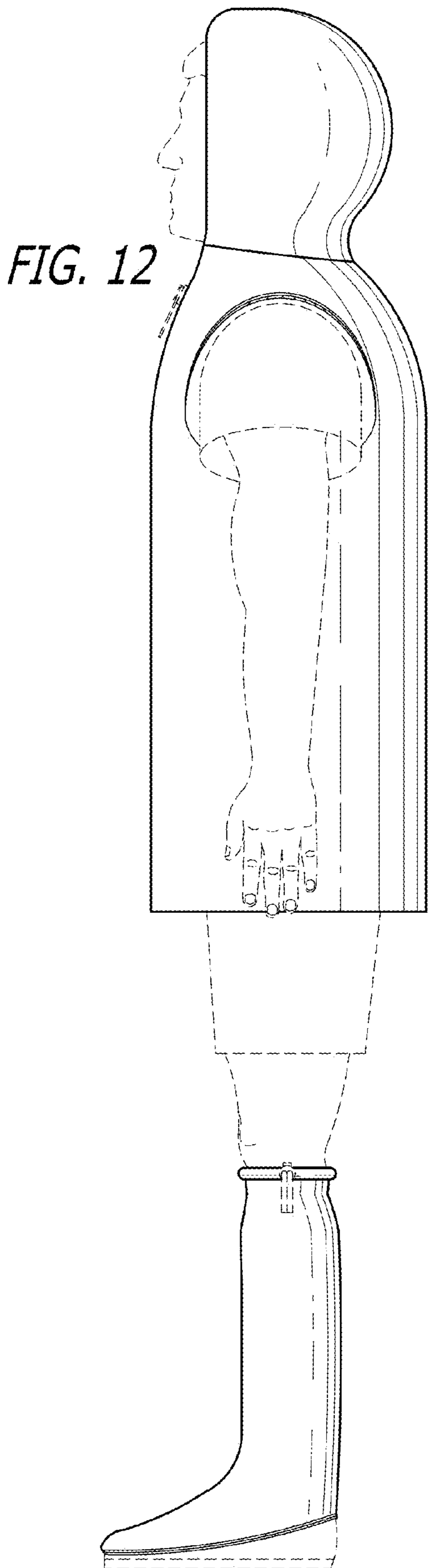
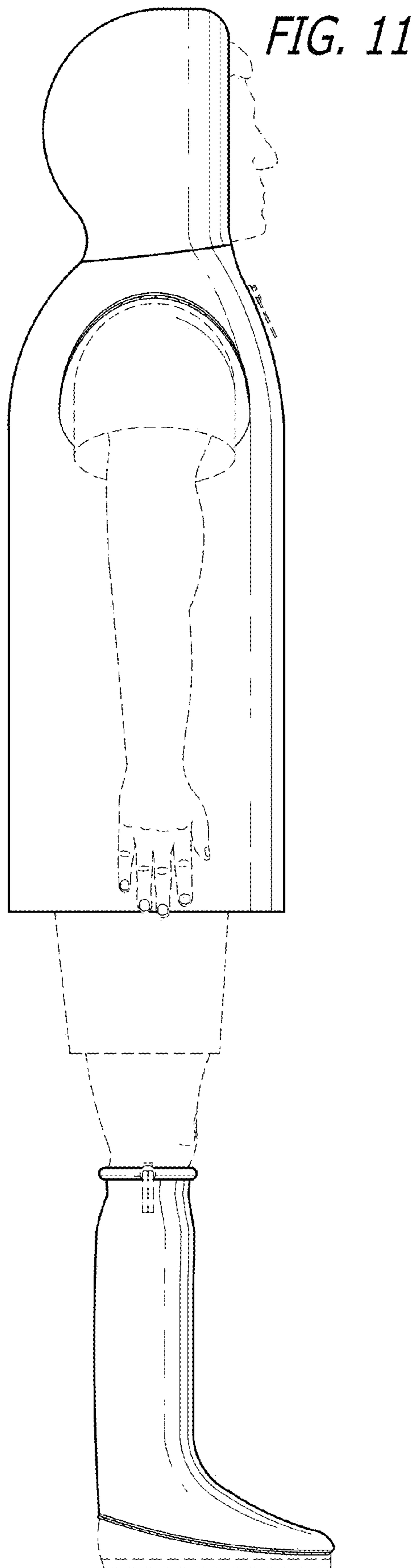


*FIG. 9*

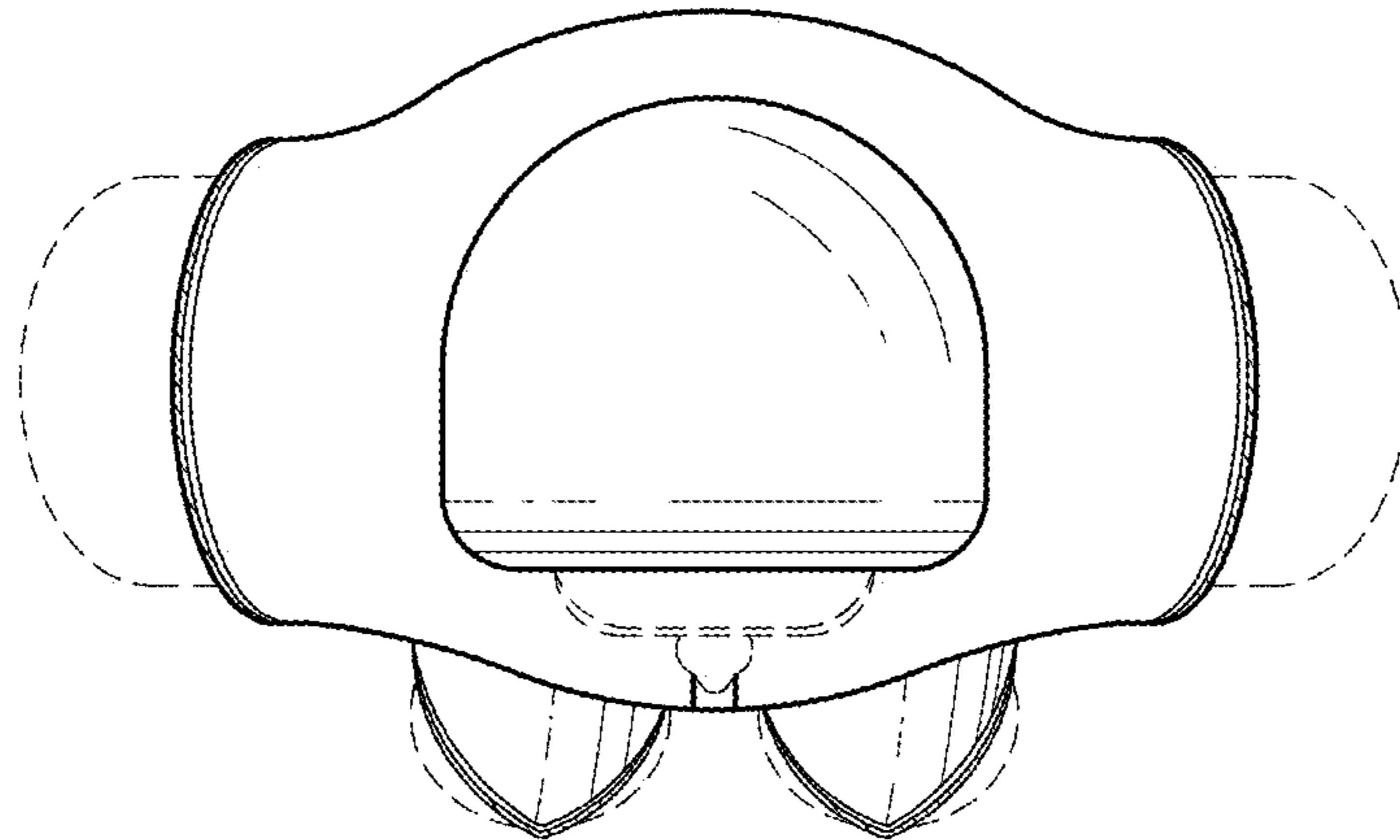


*FIG. 10*





*FIG. 13*



*FIG. 14*

