



US00D932133S

(12) **United States Design Patent** (10) **Patent No.:** **US D932,133 S**
Atkins (45) **Date of Patent:** **** Oct. 5, 2021**

(54) **SUPPORT HOSE SUSPENDER**
(71) Applicant: **Katherine M. Atkins**, Augusta, KS (US)
(72) Inventor: **Katherine M. Atkins**, Augusta, KS (US)
(**) Term: **15 Years**
(21) Appl. No.: **29/742,225**
(22) Filed: **May 23, 2020**
(51) **LOC (13) Cl.** **02-07**
(52) **U.S. Cl.**
USPC **D2/625**
(58) **Field of Classification Search**
USPC D2/624-626
CPC A41F 3/02; A41F 5/00; A41F 11/02; A41F 11/16
See application file for complete search history.

3,452,401 A * 7/1969 Trent A41F 5/00 24/301
5,052,055 A * 10/1991 Mysliwiec A41D 13/04 2/48
5,177,814 A * 1/1993 Courtney A41F 17/00 2/323
D617,561 S * 6/2010 Salerno-Tortora A41F 11/02 D3/327
D718,928 S * 12/2014 Ruiz A41F 11/02 D3/226
D918,529 S * 5/2021 Hayes D2/626
(Continued)

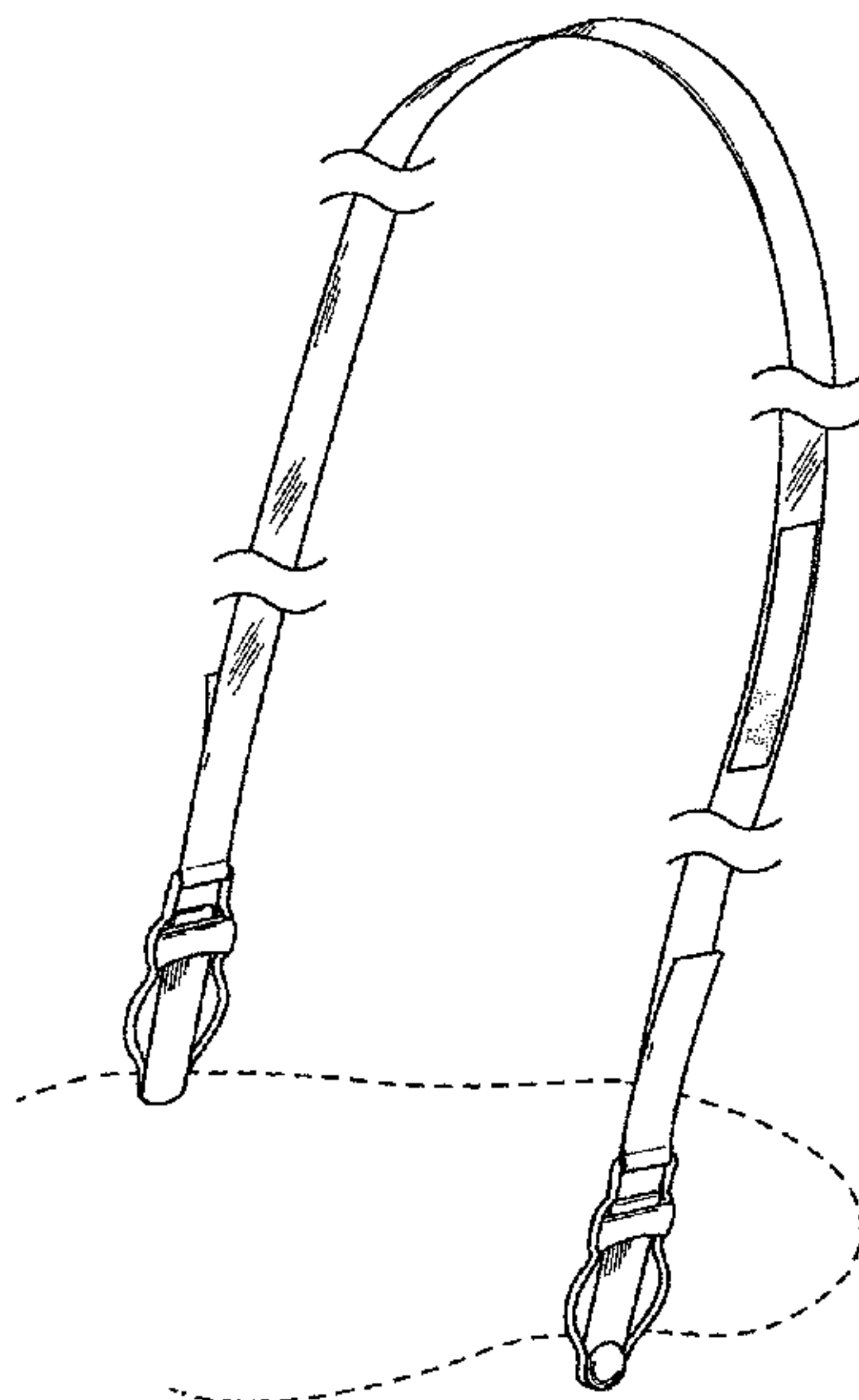
Primary Examiner — Kevin K Rudzinski
Assistant Examiner — Clare Ann Gannon
(74) *Attorney, Agent, or Firm* — Suzanne Kikel, Patent Agent

(57) **CLAIM**
The ornamental design for a support hose suspender, as shown and described.

(56) **References Cited**
U.S. PATENT DOCUMENTS
489,727 A * 1/1893 Baldwin A44B 13/0017 24/690
2,089,869 A * 8/1937 Wratschko A41F 11/02 24/519
2,274,912 A * 3/1942 Tompsett A41F 11/02 2/335
2,415,008 A * 1/1947 Harlan A41F 11/02 2/321
D154,539 S * 7/1949 Hamilton A41F 17/02 D2/625
2,484,978 A * 10/1949 Witous A41F 11/02 2/326
2,548,742 A * 4/1951 Scheinberg A41F 11/02 2/305
2,555,892 A * 6/1951 Lazare A41F 11/02 2/306
3,005,990 A * 10/1961 Owen A41C 1/00 2/306

DESCRIPTION
FIG. 1 is a perspective view of the support hose suspender, showing my new design, in a position of use on a support hose;
FIG. 2 is a perspective view thereof;
FIG. 3 is a front view thereof, the rear elevational view is the same;
FIG. 4 is a left side elevational view thereof; the right side is a mirror image thereof;
FIG. 5 is a top plan view thereof; and,
FIG. 6 is a bottom plan view thereof.
The break lines shown in FIGS. 1-4 symbolize breaks in the length of the article in which the claimed design is embodied. The appearance of any portion of the article between the break lines forms no part of the claimed design.
The broken lines in FIG. 1 depict environment and form no part of my new design.

1 Claim, 5 Drawing Sheets



(56)

References Cited

U.S. PATENT DOCUMENTS

2003/0093852 A1* 5/2003 Webb A41F 11/02
2/300
2012/0060262 A1* 3/2012 Herman A41F 3/00
2/326
2016/0338436 A1* 11/2016 Horrey A41F 17/02

* cited by examiner

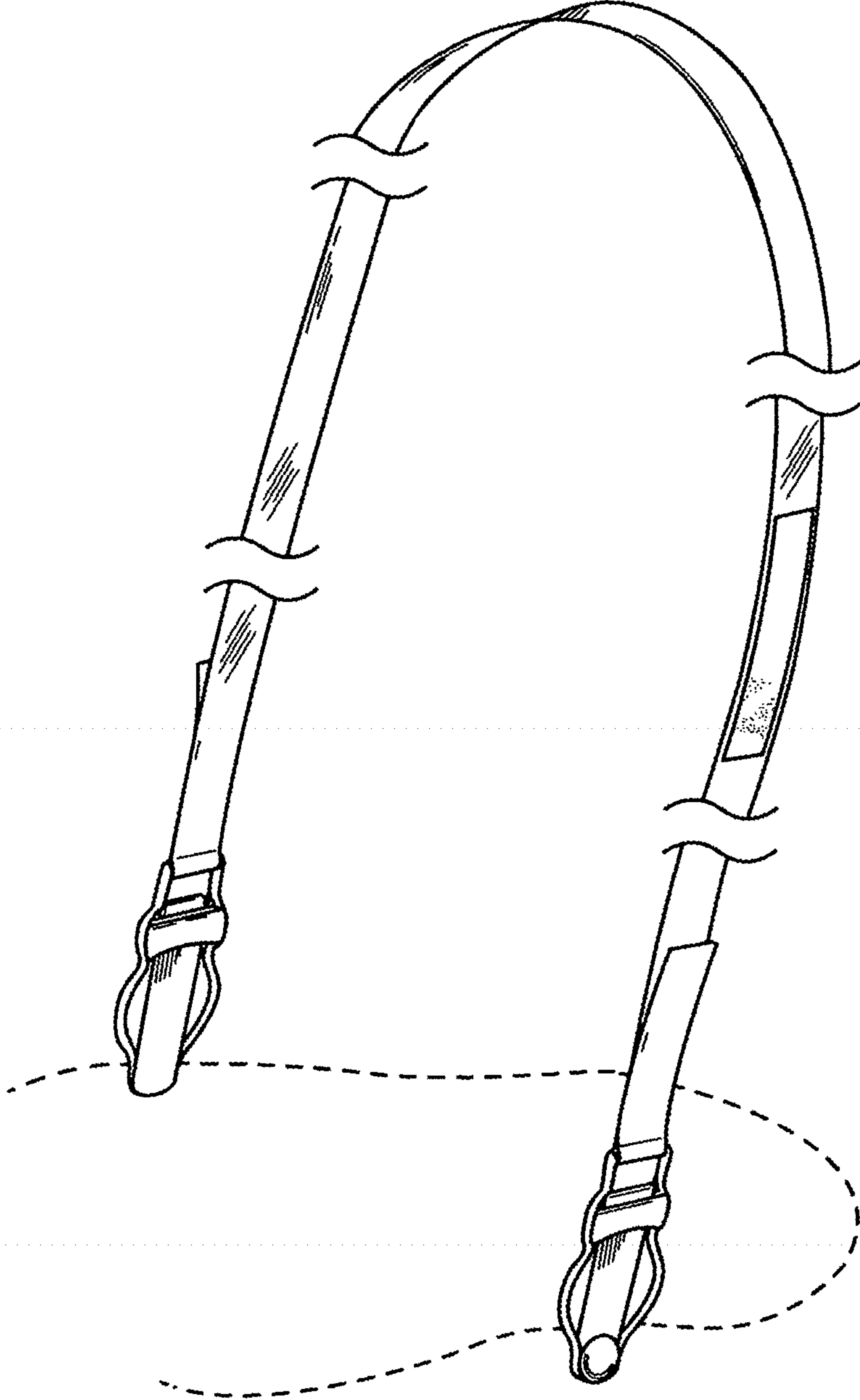


FIG. 1

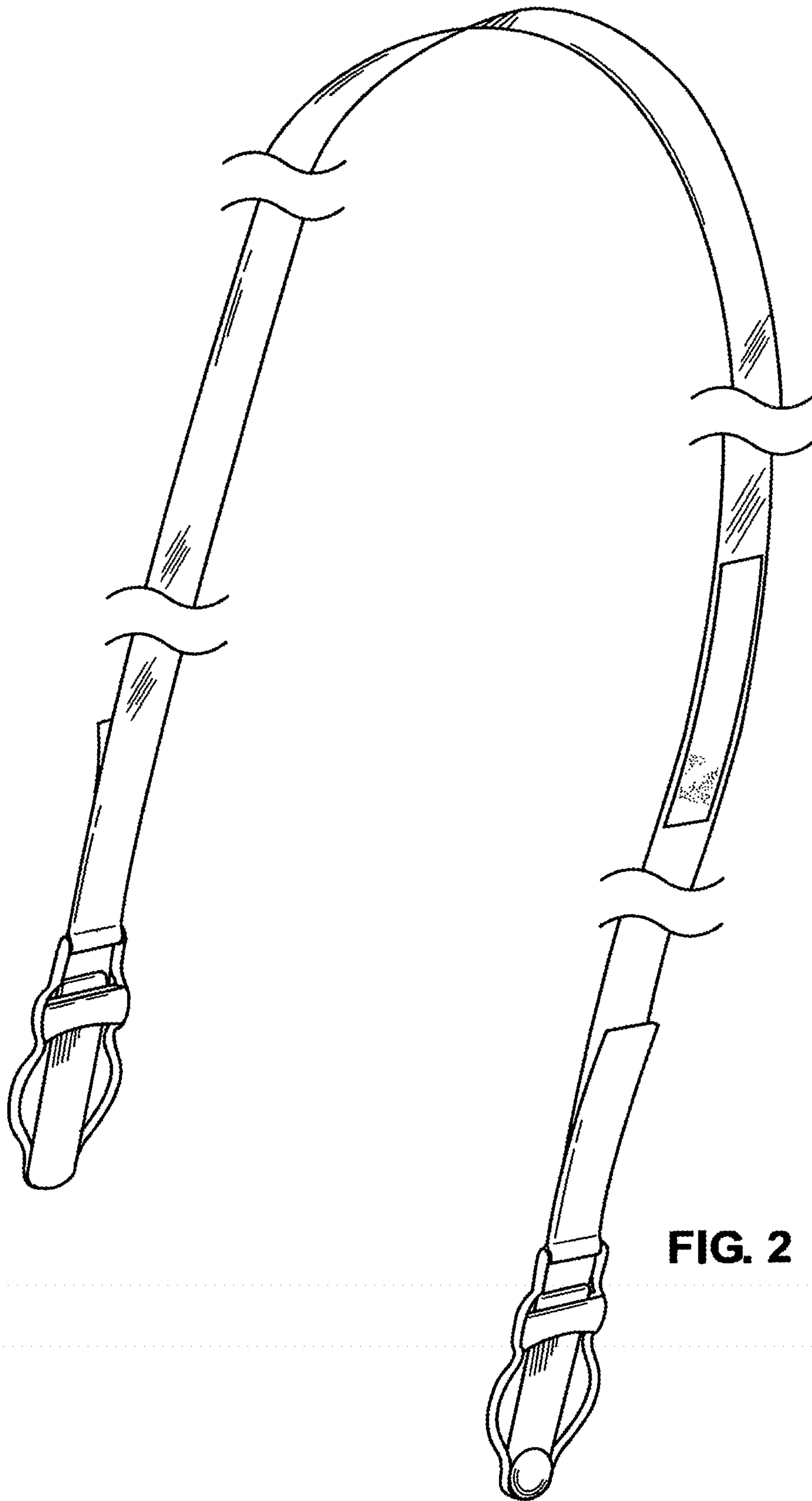


FIG. 2

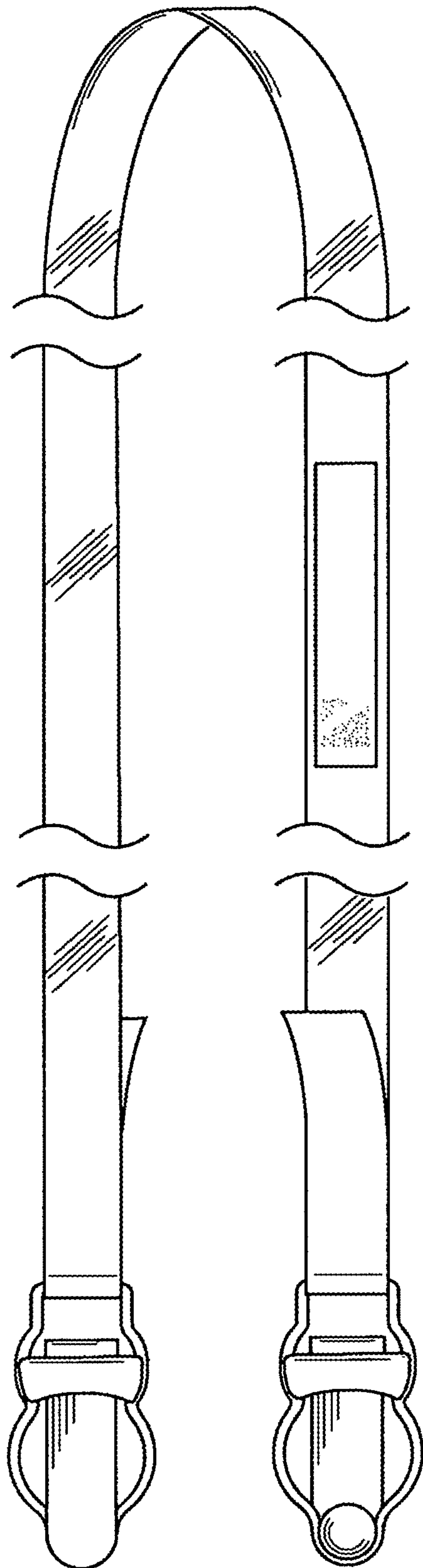


FIG. 3

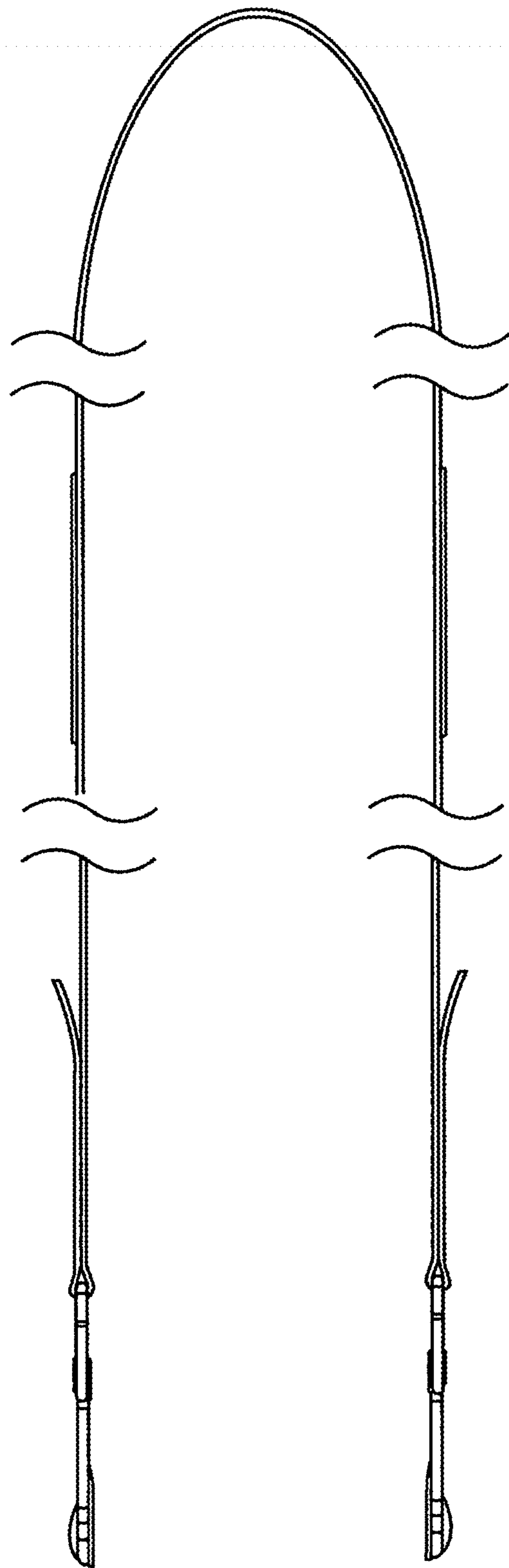


FIG. 4

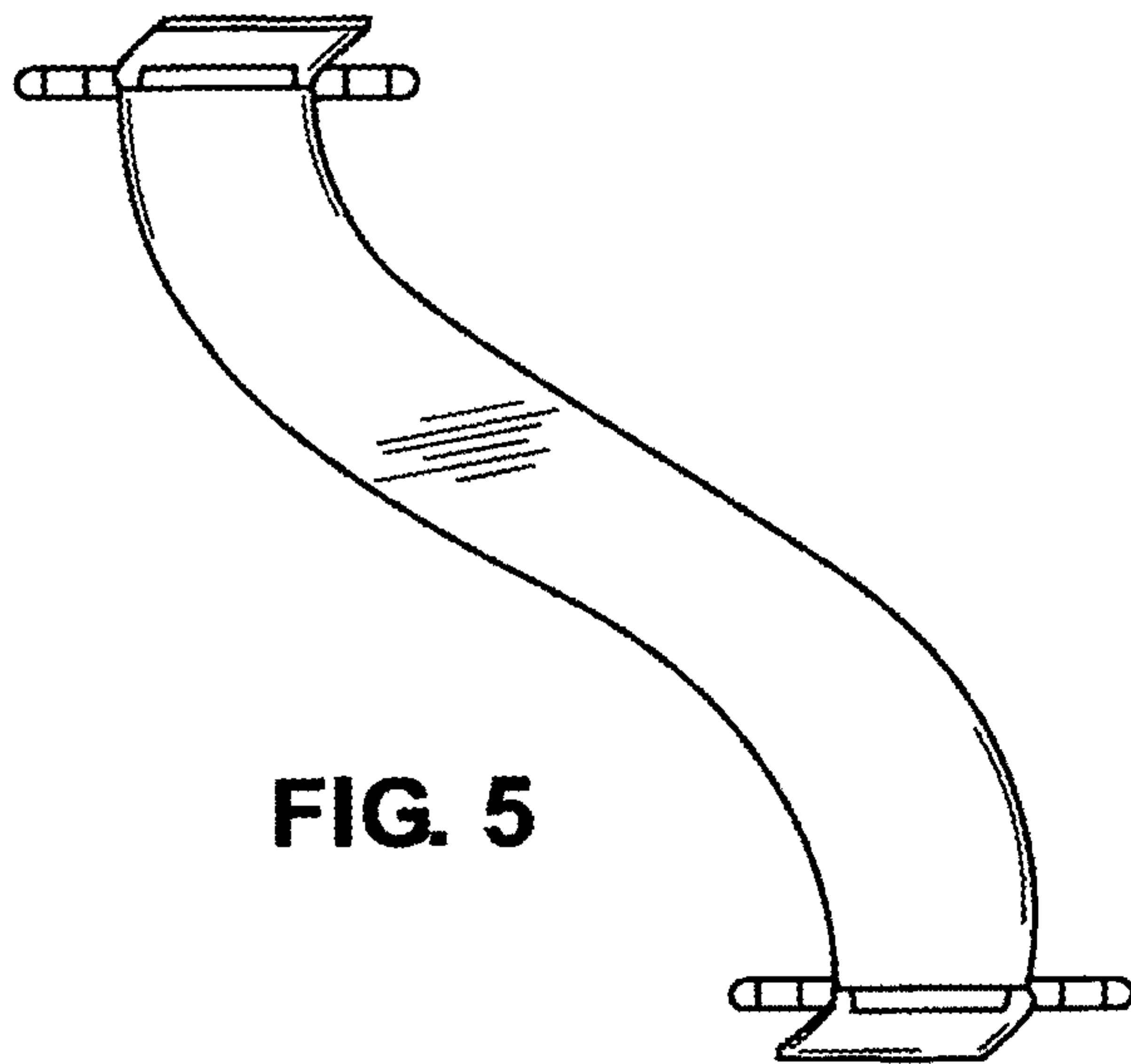


FIG. 5

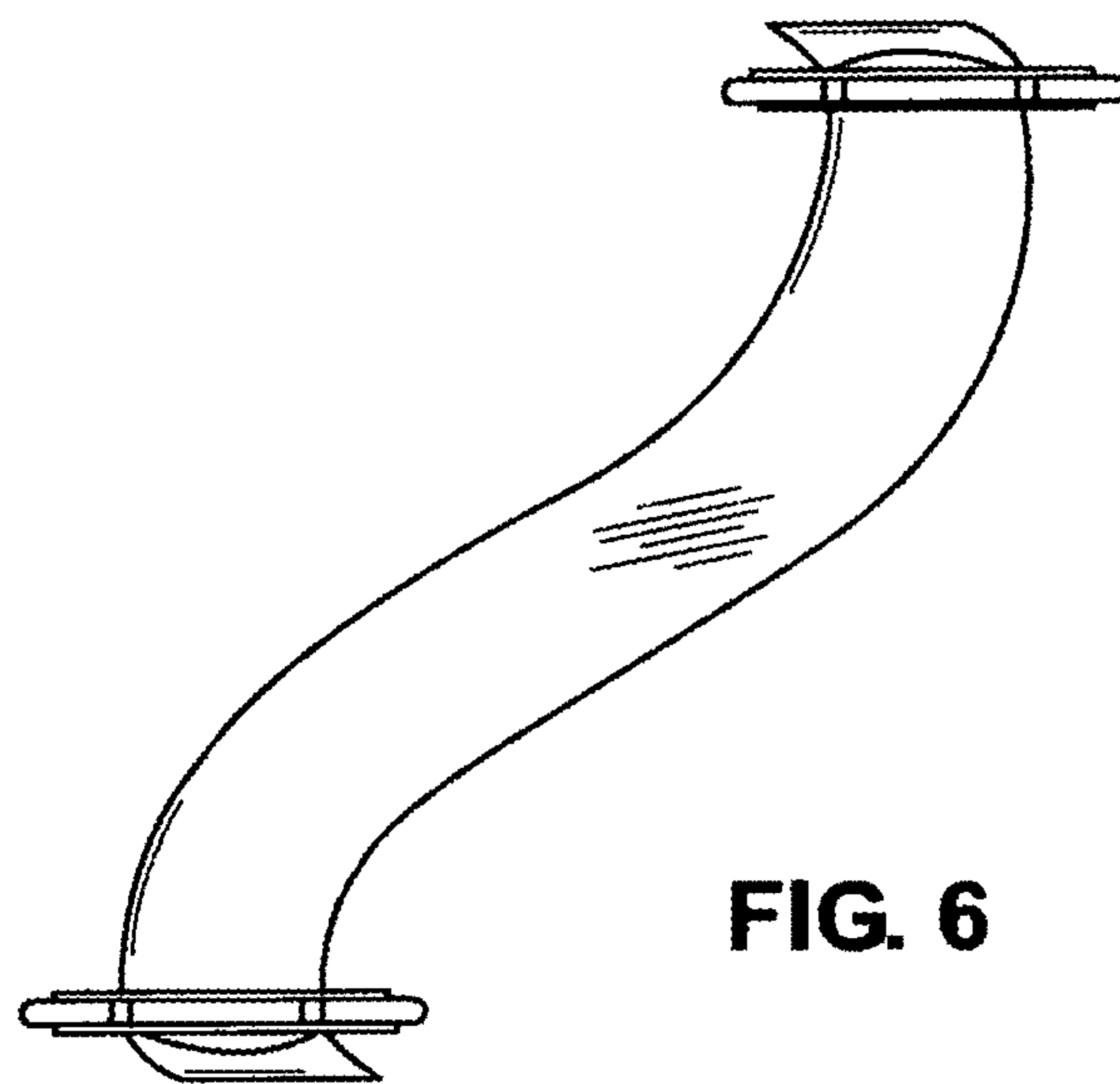


FIG. 6