



US00D932129S

(12) **United States Design Patent** (10) **Patent No.:** **US D932,129 S**
Wolf et al. (45) **Date of Patent:** **** Sep. 28, 2021**

(54) **CONVEYOR PULLEY INCLUDING A WEAR INDICATOR**

6,523,678 B2 2/2003 Roessler et al.
7,090,065 B2 8/2006 Whipple et al.
8,196,738 B1 6/2012 Wolf et al.

(71) Applicant: **Precision, Inc.**, Pella, IA (US)

(Continued)

(72) Inventors: **Tim Erwin Wolf**, Ankeny, IA (US);
Christian Troy Hall, Fort Collins, CO (US)

OTHER PUBLICATIONS

Continental, "Conveyor Belt—Heavyweight," <http://www.continental-eliterpm.com/ProductsDetail.aspx?id=26009>, available before May 12, 2017.

(73) Assignee: **Precision, Inc.**, Pella, IA (US)

Primary Examiner — Gino Colan

(**) Term: **15 Years**

(74) *Attorney, Agent, or Firm* — Armstrong Teasdale LLP

(21) Appl. No.: **29/687,949**

(22) Filed: **Apr. 17, 2019**

(57) **CLAIM**

We claim the ornamental design for a conveyor pulley including a wear indicator, as shown and described.

Related U.S. Application Data

DESCRIPTION

(62) Division of application No. 29/603,892, filed on May 12, 2017, now Pat. No. Des. 880,097.

(51) **LOC (13) Cl.** **12-05**

(52) **U.S. Cl.**
USPC **D34/29**

(58) **Field of Classification Search**
USPC D34/28–30, 33–38; 198/835, 837, 824;
193/37; 474/95, 187, 197; D9/520, 516,
D9/549, 454, 500; D7/509; D24/197
CPC B65G 39/02; B65G 39/10; B65G 23/04;
B65G 39/16; B65G 45/04; F16H 55/36
See application file for complete search history.

FIG. 1 is a perspective view of an embodiment of a conveyor pulley including a wear indicator showing the new design; FIG. 2 is a left side view thereof, the right side being a mirror image thereof; FIG. 3 is an enlarged left side view thereof; FIG. 4 is a top view thereof, the bottom, front, and back views being a mirror image thereof; FIG. 5 is a perspective view of a second embodiment of a conveyor pulley including a wear indicator showing the new design; FIG. 6 is a left side view thereof, the right side being a mirror image thereof; and, FIG. 7 is a top view thereof, the bottom, front, and back views being a mirror image thereof.

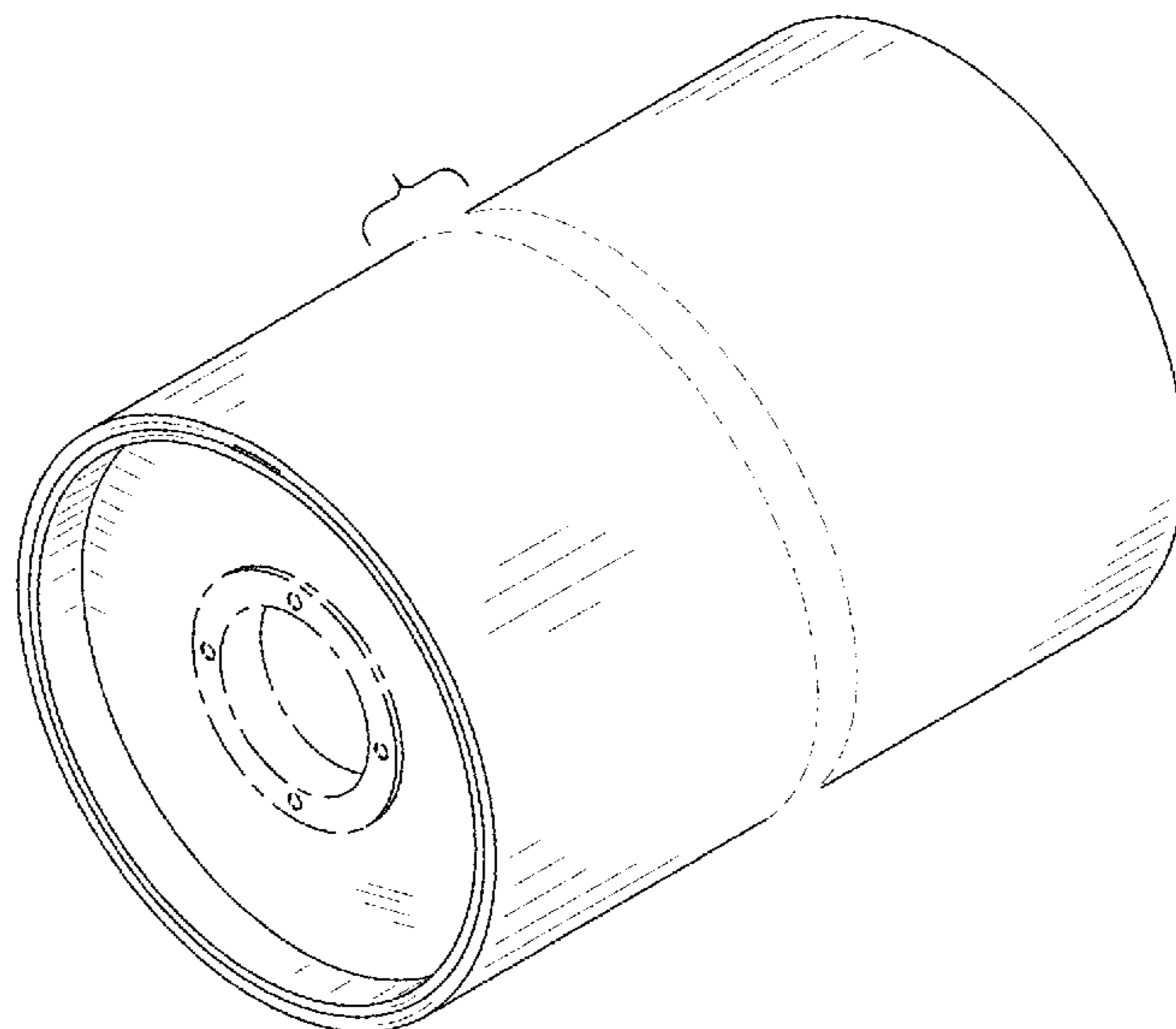
(56) **References Cited**

U.S. PATENT DOCUMENTS

3,134,268 A * 5/1964 Firth B65G 39/02
474/197
3,140,621 A 7/1964 Stone
3,277,561 A * 10/1966 Joyal B21D 53/261
29/892.11
5,284,457 A 2/1994 Gerstenberger et al.
D401,717 S 11/1998 Grueber et al.
5,901,427 A 5/1999 Wolf

The dash-dot lines in FIGS. 1-7 indicate unclaimed portions of the conveyor pulley, and form no part of the claimed design. The conveyor pulley including a wear indicator is shown with symbolic breaks in its length. The appearance of any portion of the article between the break lines form no part of the claimed design.

1 Claim, 7 Drawing Sheets



(56)

References Cited

U.S. PATENT DOCUMENTS

8,720,662 B2 5/2014 Arsenenau
D880,097 S * 3/2020 Wolf D34/29
2015/0300959 A1 10/2015 Smith et al.

* cited by examiner

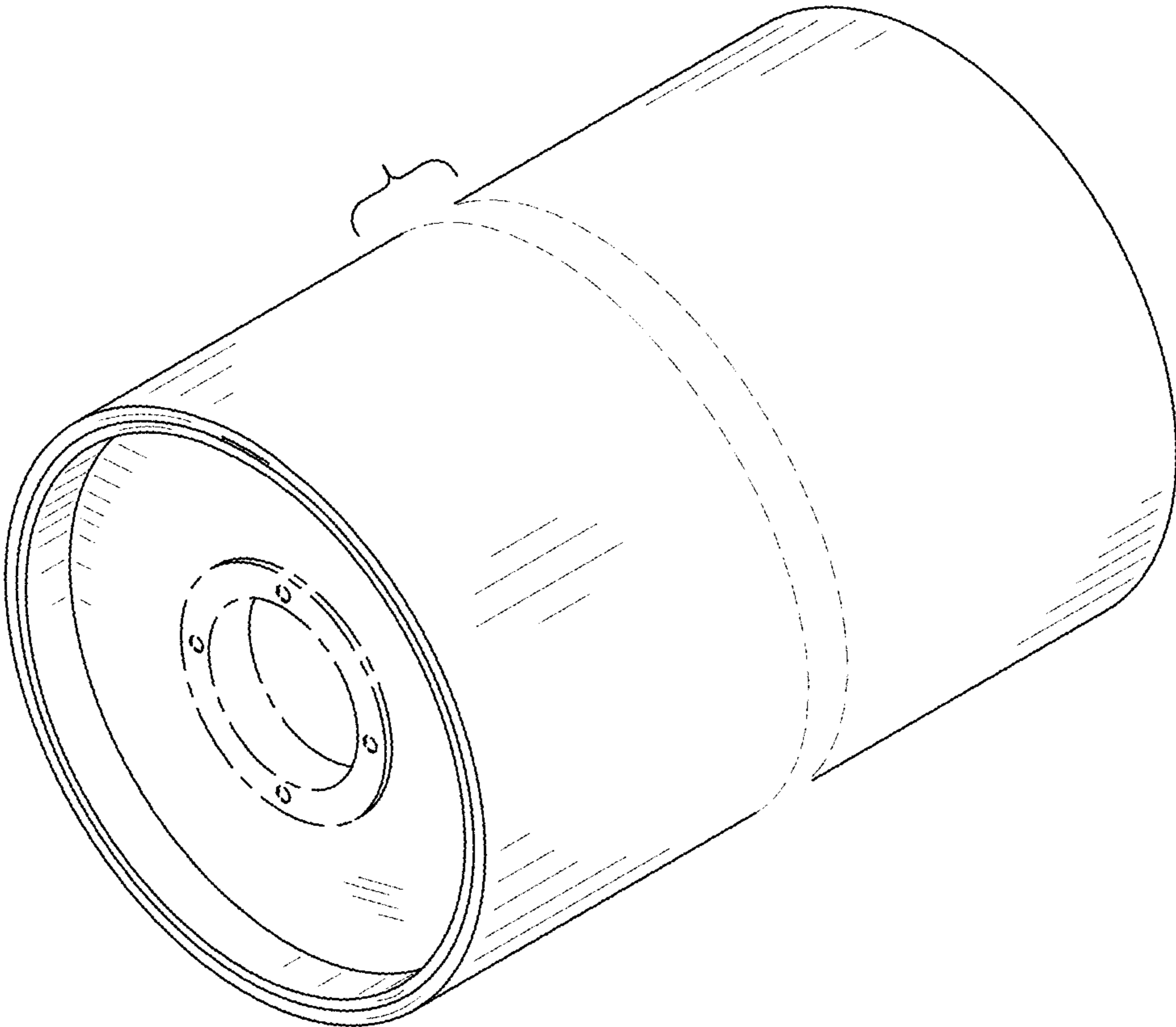


FIG. 1

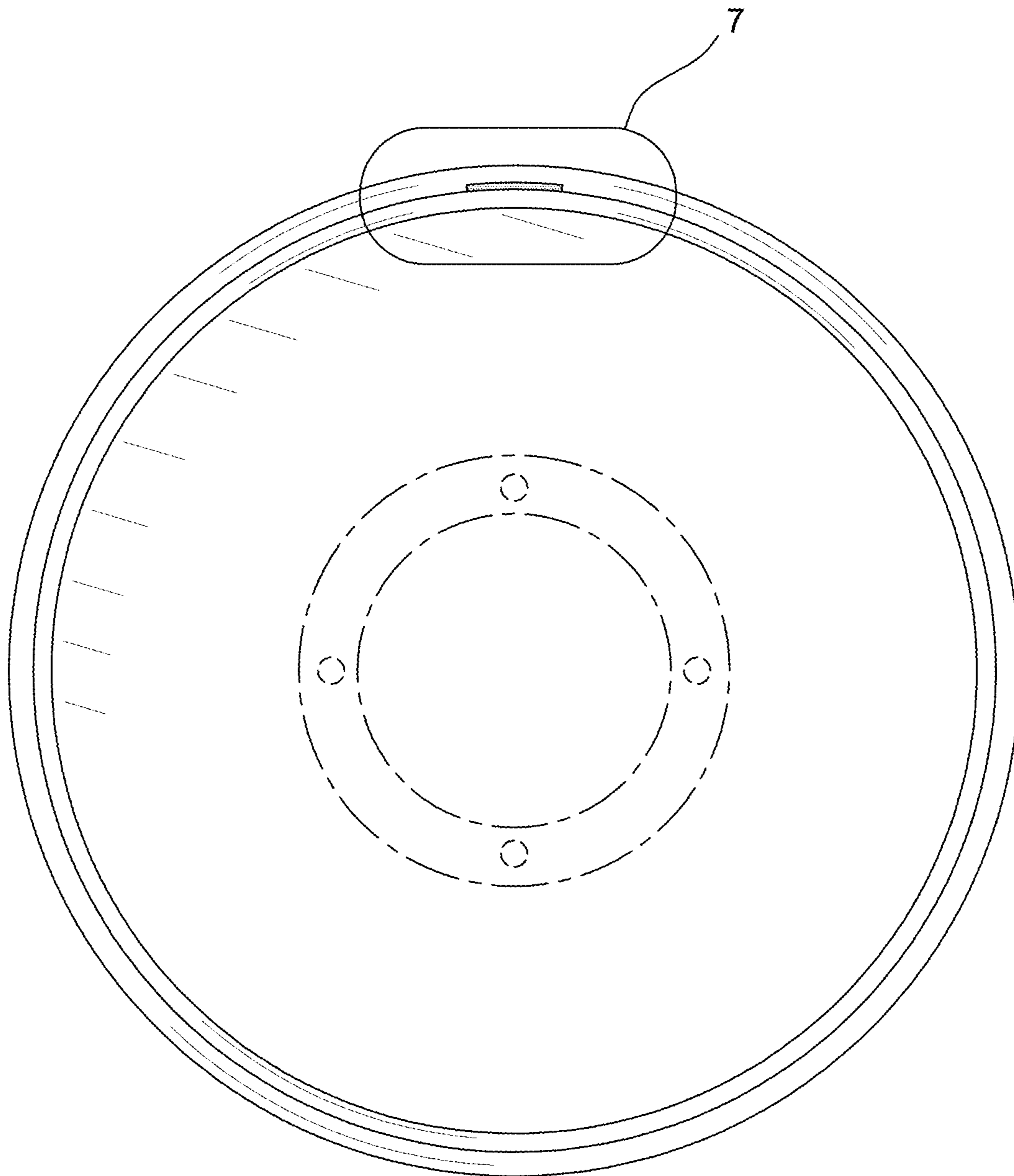


FIG. 2

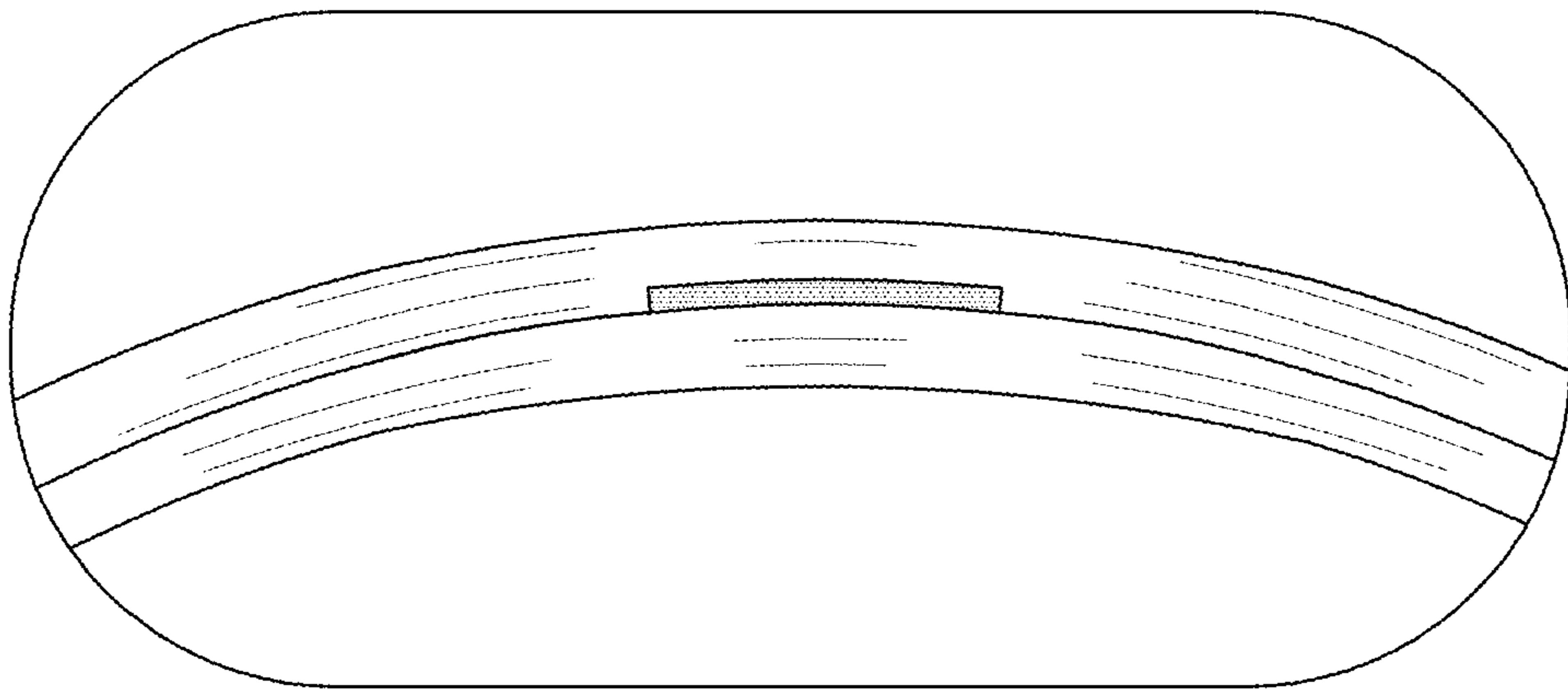


FIG. 3

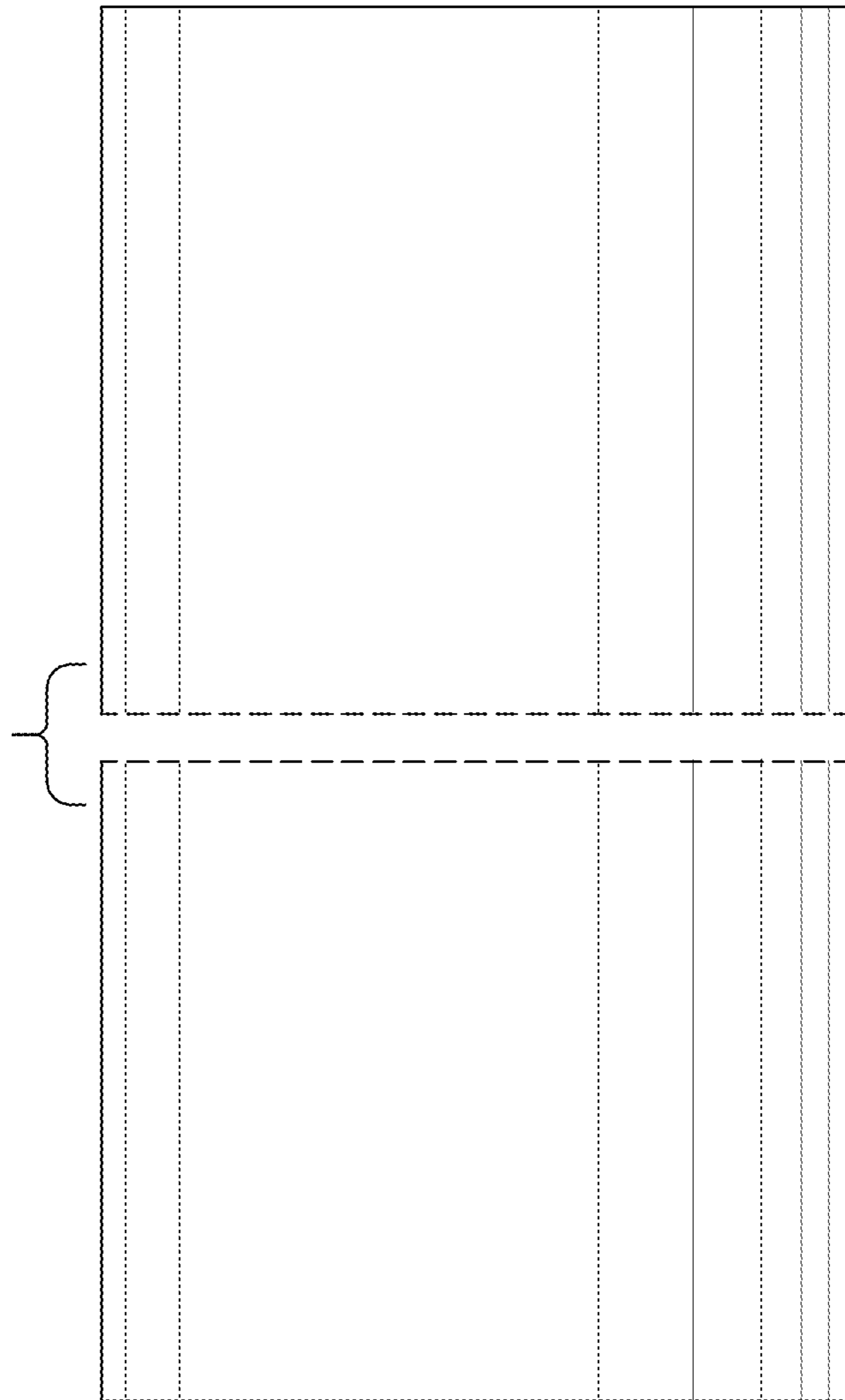


FIG. 4

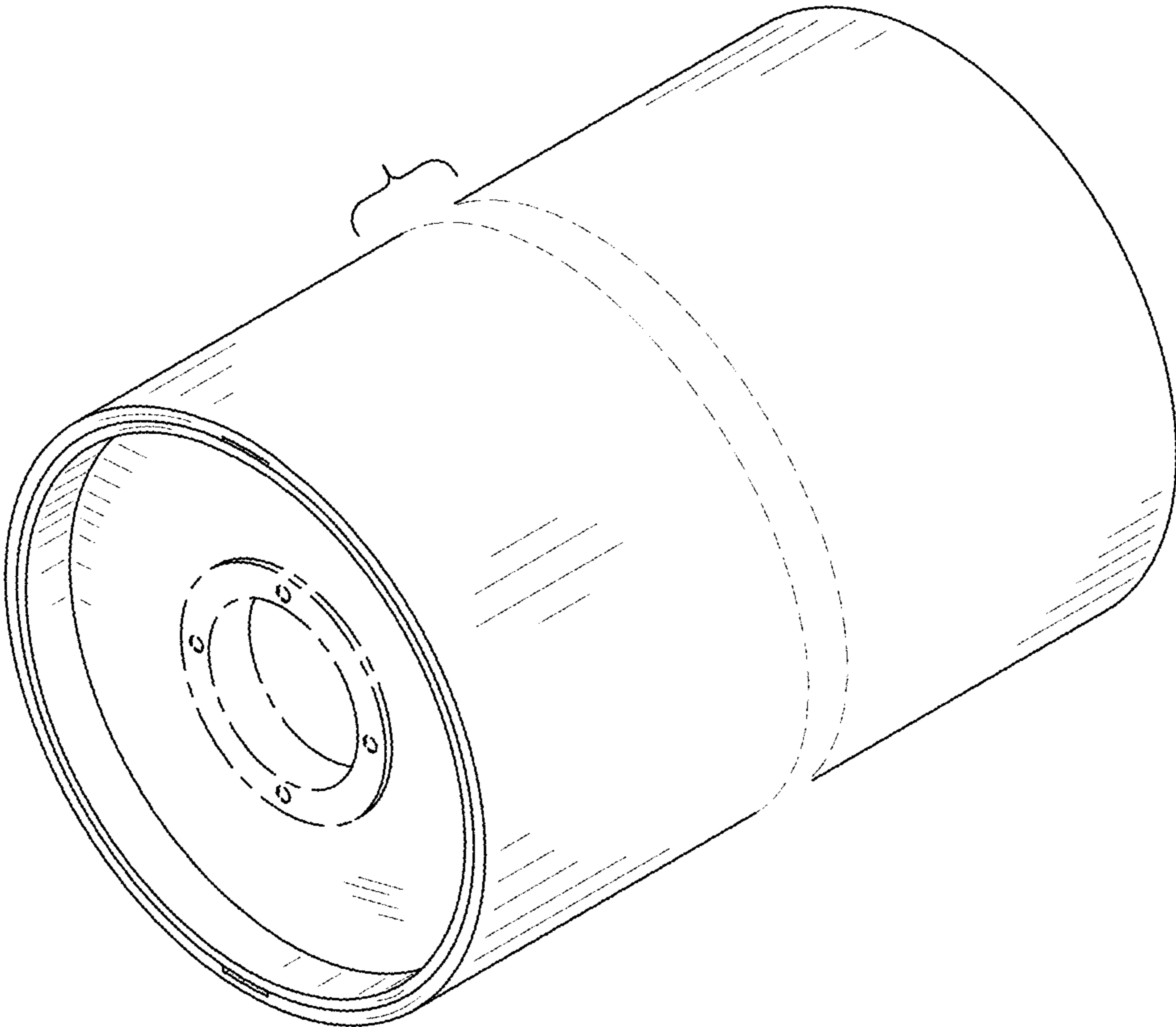


FIG. 5

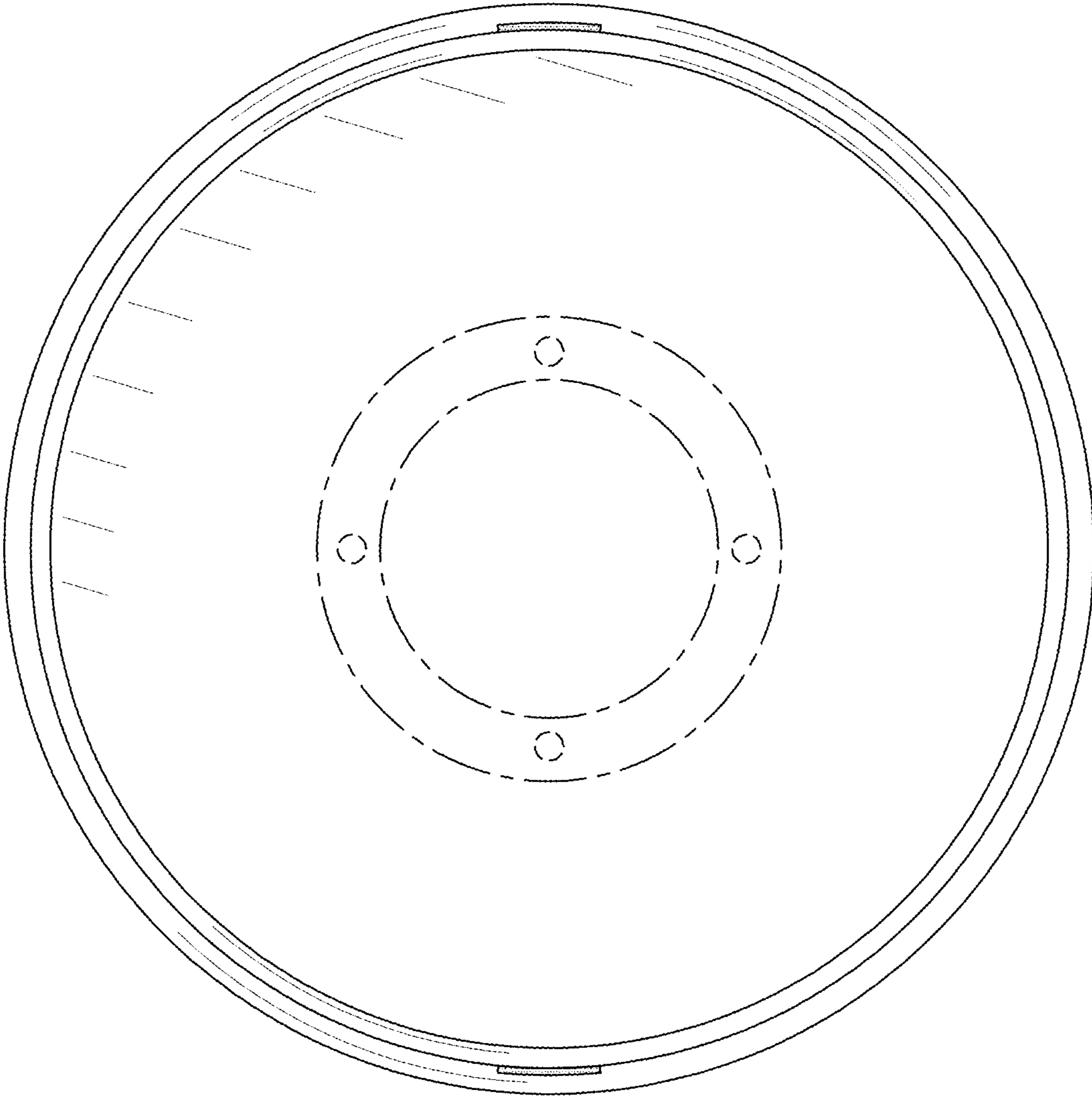


FIG. 6

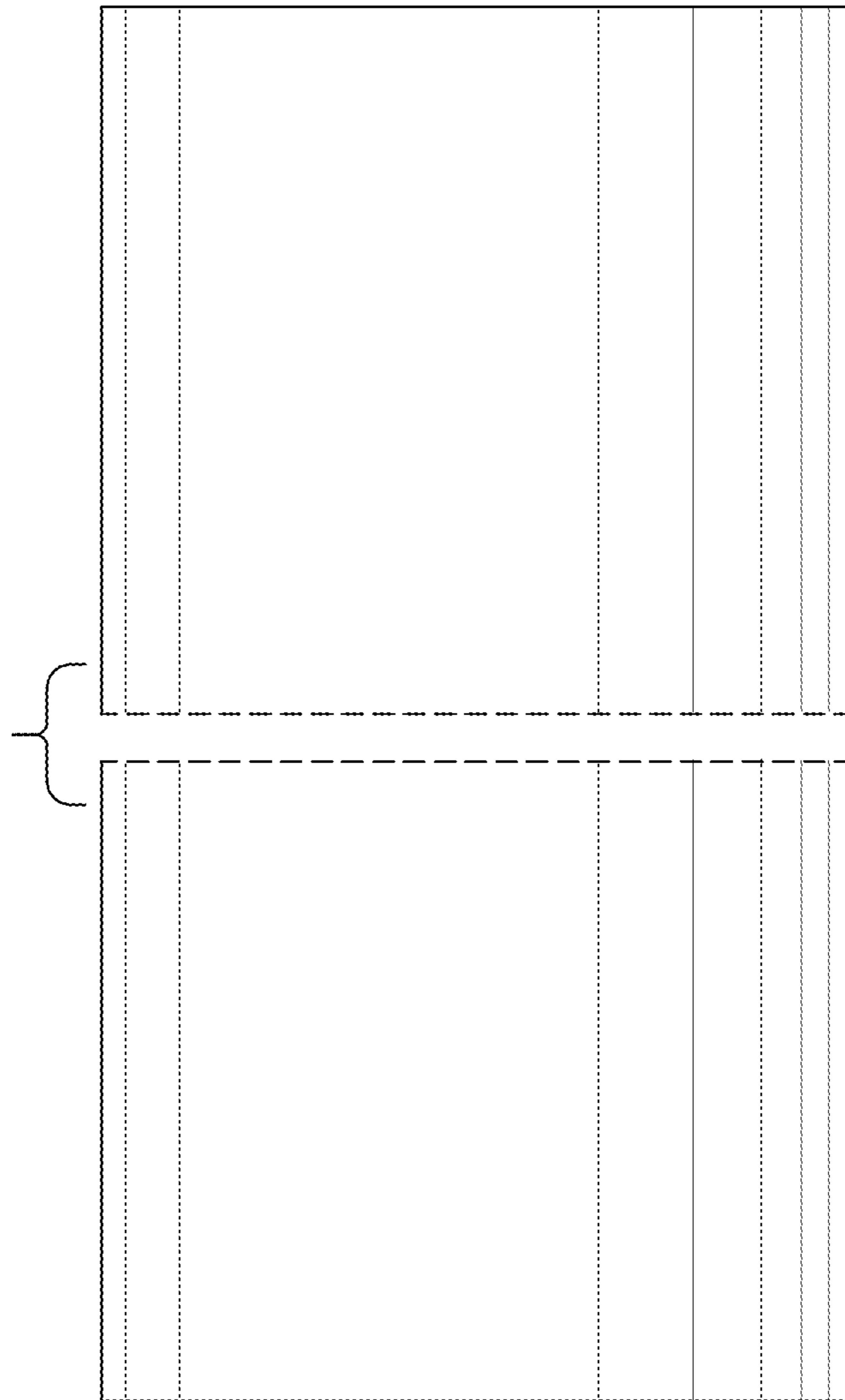


FIG. 7