



US00D932124S

(12) **United States Design Patent** (10) **Patent No.:** **US D932,124 S**  
**Lin** (45) **Date of Patent:** **\*\* Sep. 28, 2021**

(54) **VACUUM CLEANER**

D872,394 S \* 1/2020 Yang ..... D32/18  
10,555,651 B2 \* 2/2020 Williams ..... A47L 9/1683  
D879,397 S \* 3/2020 Kim ..... D32/32

(Continued)

(71) Applicant: **DONGGUAN SOGOODE  
COMPUTER SYSTEM CO., LTD,**  
Dongguan (CN)

FOREIGN PATENT DOCUMENTS

(72) Inventor: **Fengce Lin,** Shenzhen (CN)

JP D1681918 \* 3/2021

(73) Assignee: **DONGGUAN SOGOODE  
COMPUTER SYSTEM CO., LTD,**  
Dongguan (CN)

OTHER PUBLICATIONS

(\*\*) Term: **15 Years**

Vosfeel Z10 Cordless Vacuum Cleaner Handheld 18000Pa (on-line), dated Jan. 8, 2021. Retrieved from Internet Aug. 11, 2021, URL: [https://www.amazon.co.uk/VOSFEEL-Z10-Cordless-Rechargeable-Lightweight/dp/B08SBY23F1/ref=sr\\_1\\_3?dchild=1&keywords=cordless+vacuum+%E2%80%A6](https://www.amazon.co.uk/VOSFEEL-Z10-Cordless-Rechargeable-Lightweight/dp/B08SBY23F1/ref=sr_1_3?dchild=1&keywords=cordless+vacuum+%E2%80%A6) (4 pages) (Year: 2021).\*

(21) Appl. No.: **29/758,521**

*Primary Examiner* — Kimberly Barnes

(22) Filed: **Nov. 16, 2020**

(51) **LOC (13) Cl.** ..... **15-05**

(52) **U.S. Cl.**  
USPC ..... **D32/22**

(57) **CLAIM**

(58) **Field of Classification Search**  
USPC ..... D32/17-25, 31-34  
CPC ..... A47L 7/00; A47L 9/02; A47L 5/28; A47L  
9/102; A47L 9/1608; A47L 9/1683; A47L  
5/30; A47L 9/00; A47L 9/04; A47L  
9/0422; A47L 9/0461; A47L 9/06; A47L  
9/0488; A47L 11/00; A47L 11/20; A47L  
11/22; A47L 11/24; A47L 11/32; A47L  
11/302; A47L 11/40

The ornamental design for a vacuum cleaner, as shown and described.

See application file for complete search history.

**DESCRIPTION**

(56) **References Cited**

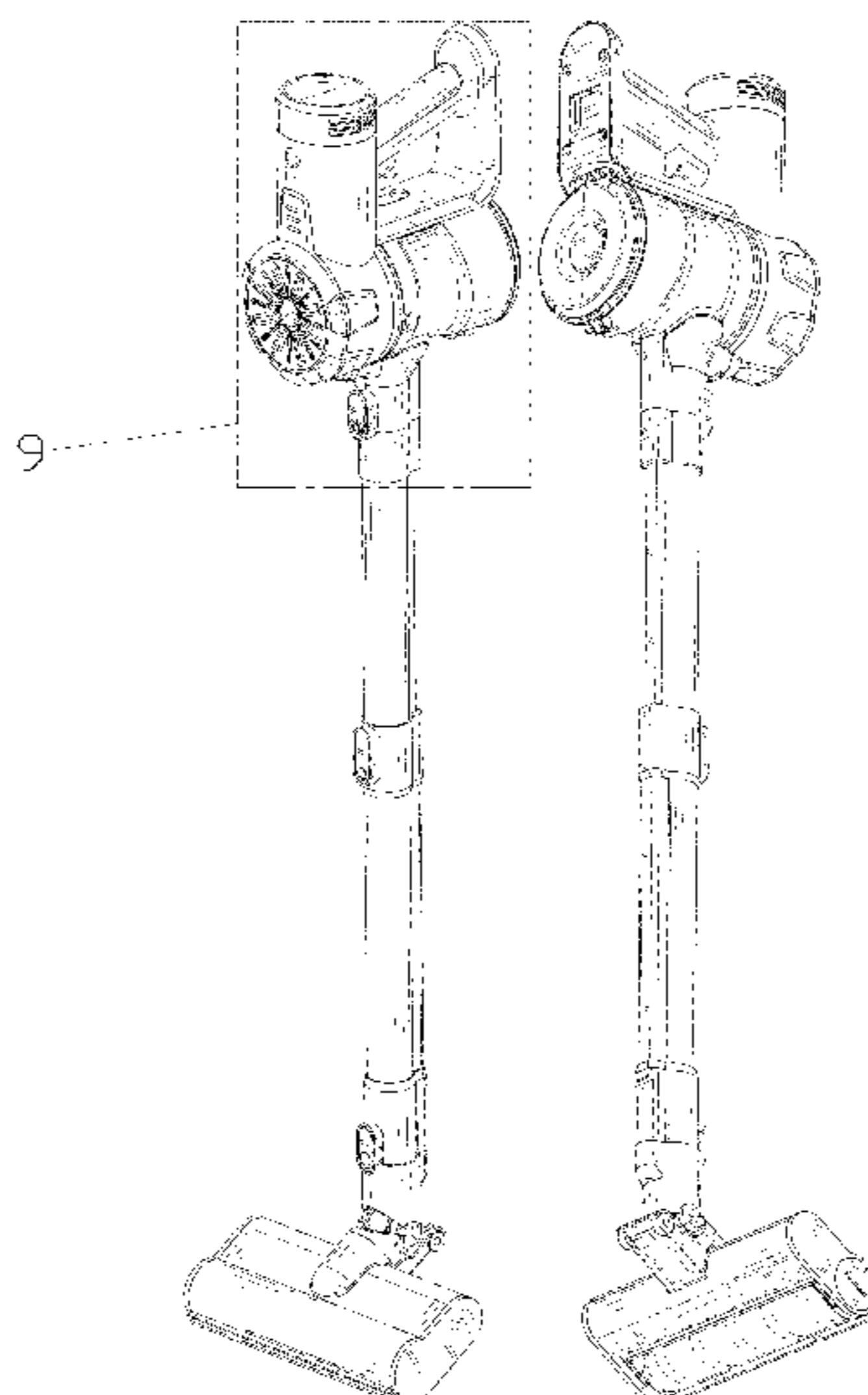
U.S. PATENT DOCUMENTS

D600,869 S \* 9/2009 Dyson ..... D32/32  
D616,164 S \* 5/2010 McLeod ..... D32/32  
D640,431 S \* 6/2011 Houghton ..... D32/33  
D719,309 S \* 12/2014 Ashbee ..... D32/33  
D821,044 S \* 6/2018 Cao ..... D32/18  
D826,493 S \* 8/2018 Nam ..... D32/18  
D830,013 S 10/2018 Lee et al.  
D830,017 S \* 10/2018 Nam ..... D32/22  
D839,517 S \* 1/2019 Nam ..... D32/32  
D839,518 S \* 1/2019 Nam ..... D32/32

FIG. 1 is a perspective view of a vacuum cleaner showing my new design;  
FIG. 2 is another perspective view thereof;  
FIG. 3 is a front elevational view thereof;  
FIG. 4 is a rear elevational view thereof;  
FIG. 5 is a left side elevational view thereof;  
FIG. 6 is a right side elevational view thereof;  
FIG. 7 is a top plan view thereof;  
FIG. 8 is a bottom plan view thereof;  
FIG. 9 is an enlarged view of portion 9 shown in FIG. 1;  
FIG. 10 is an enlarged view of portion 10 shown in FIG. 3;  
FIG. 11 is an enlarged top plan view of the vacuum cleaner;  
and,  
FIG. 12 is an enlarged bottom plan view of the vacuum cleaner.

The broken lines in the drawings depict portions of the vacuum cleaner that form no part of the claimed design.

**1 Claim, 12 Drawing Sheets**



(56)

**References Cited**

U.S. PATENT DOCUMENTS

D880,091 S	*	3/2020	Tokoi .....	D32/33
D882,196 S	*	4/2020	Lee .....	D32/33
D905,360 S	*	12/2020	Ma .....	D32/22
D908,990 S	*	1/2021	Chen .....	D32/22
D912,344 S	*	3/2021	Choi .....	D32/22
D912,348 S	*	3/2021	Choi .....	D32/32
D920,609 S	*	5/2021	Ma .....	D32/21
D922,015 S	*	6/2021	Polden .....	D32/32

\* cited by examiner

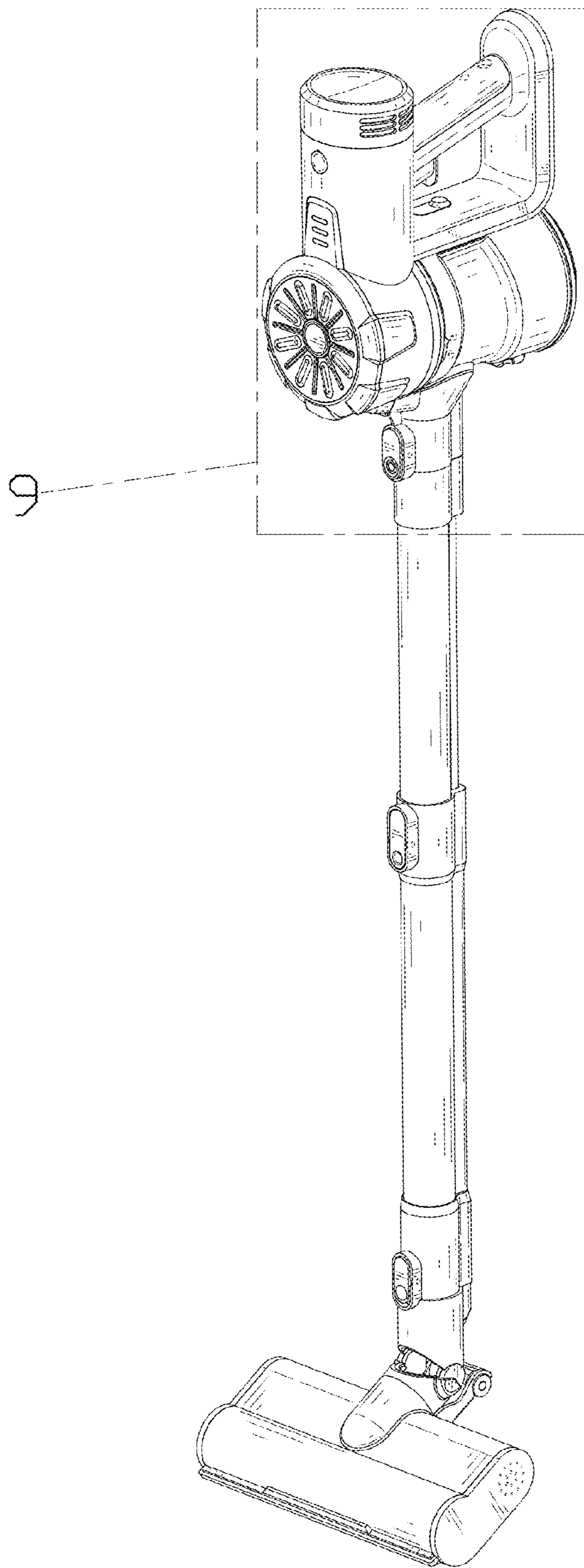


FIG. 1

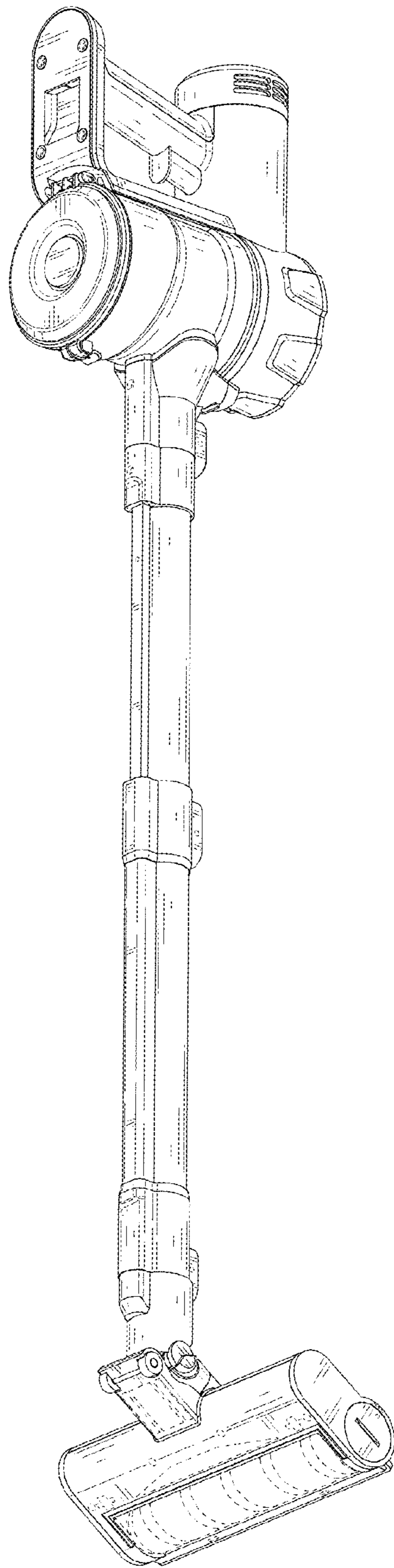


FIG. 2

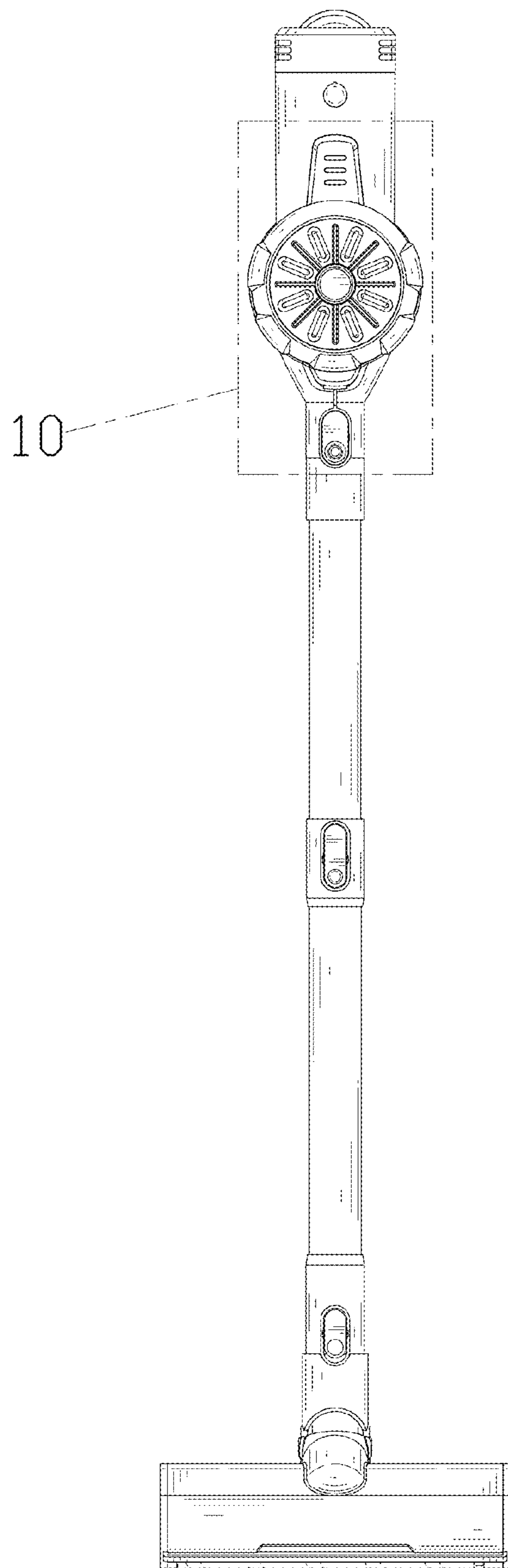


FIG. 3

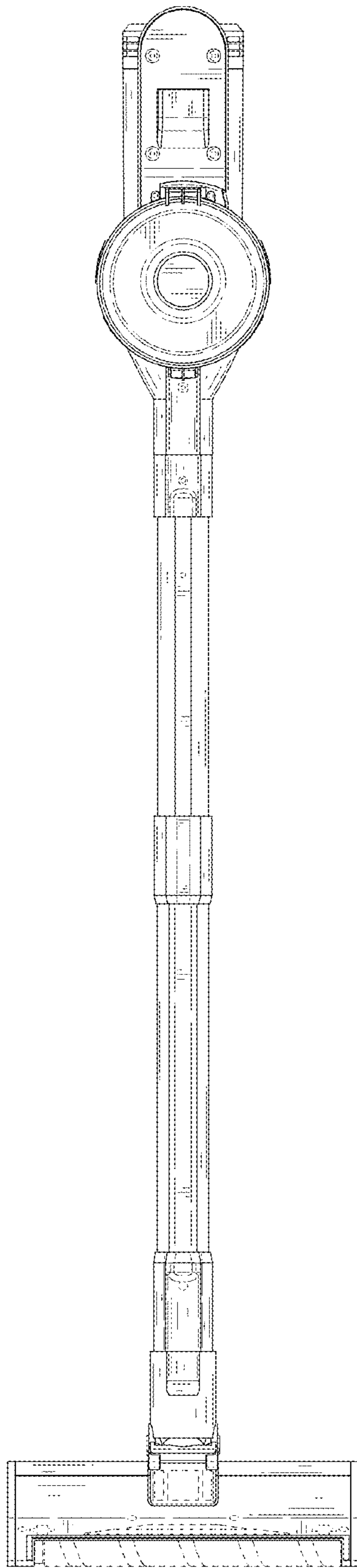


FIG. 4

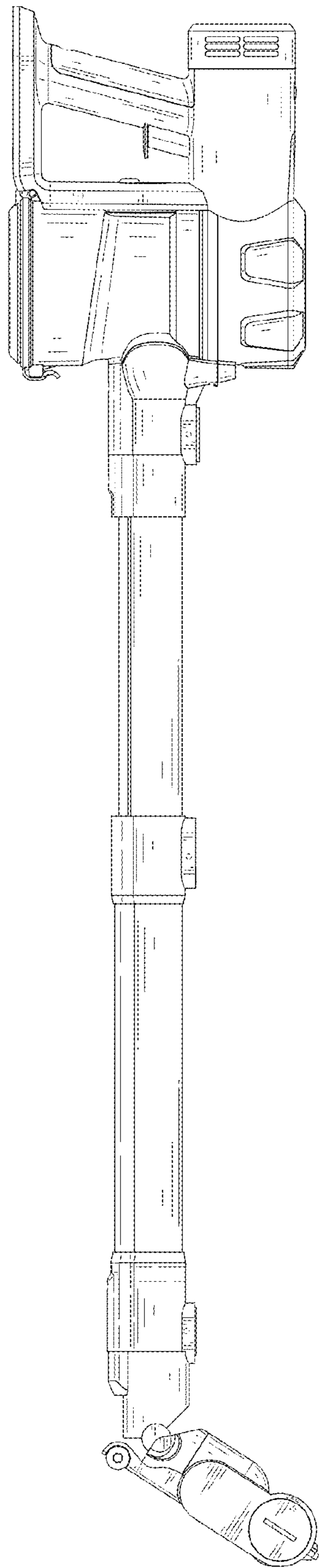


FIG. 5

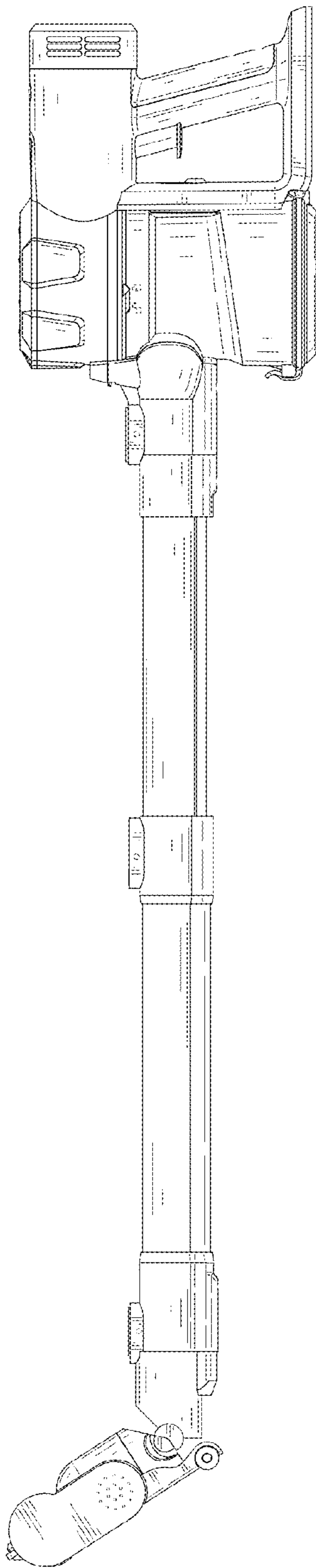


FIG. 6



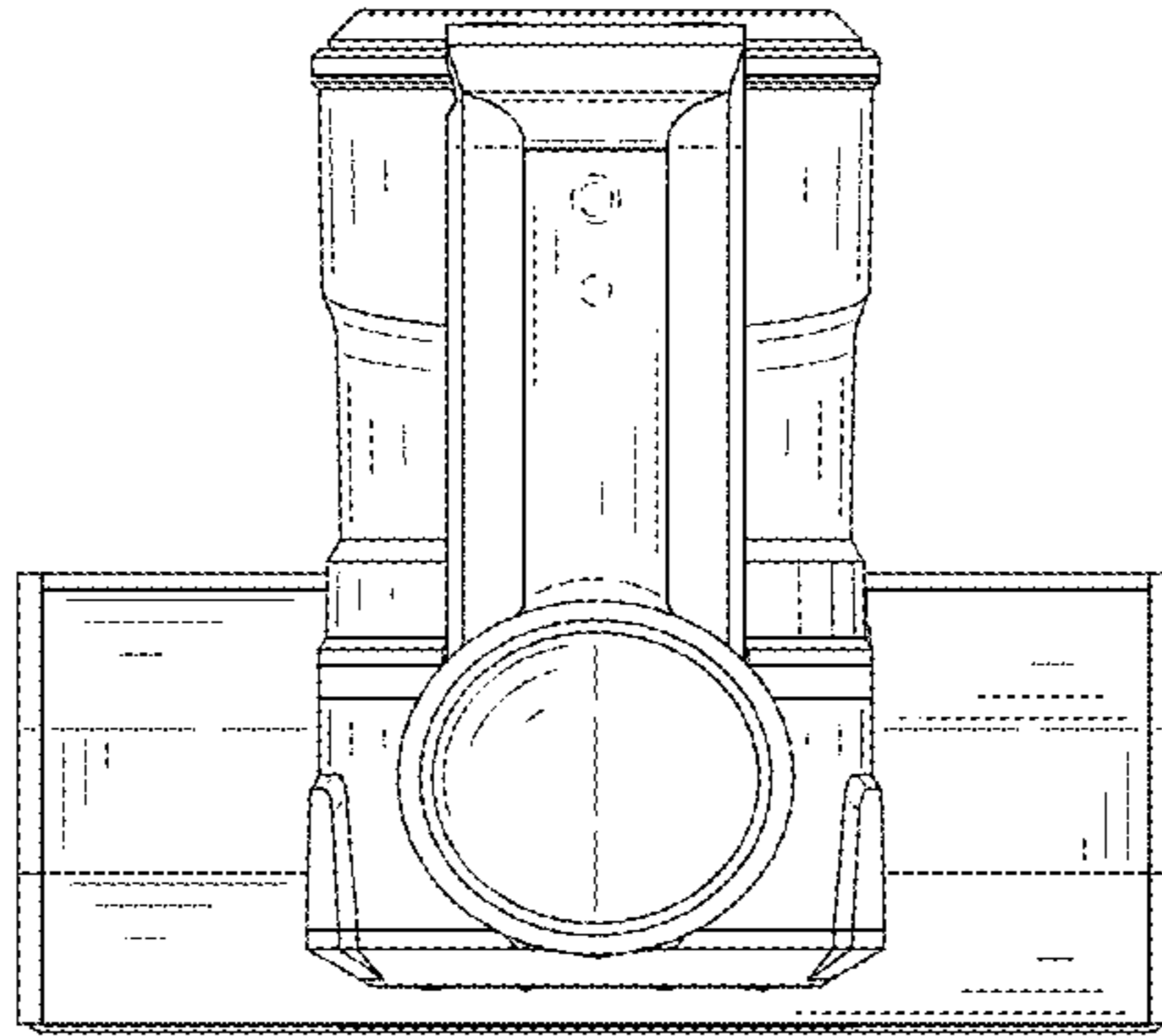


FIG. 7

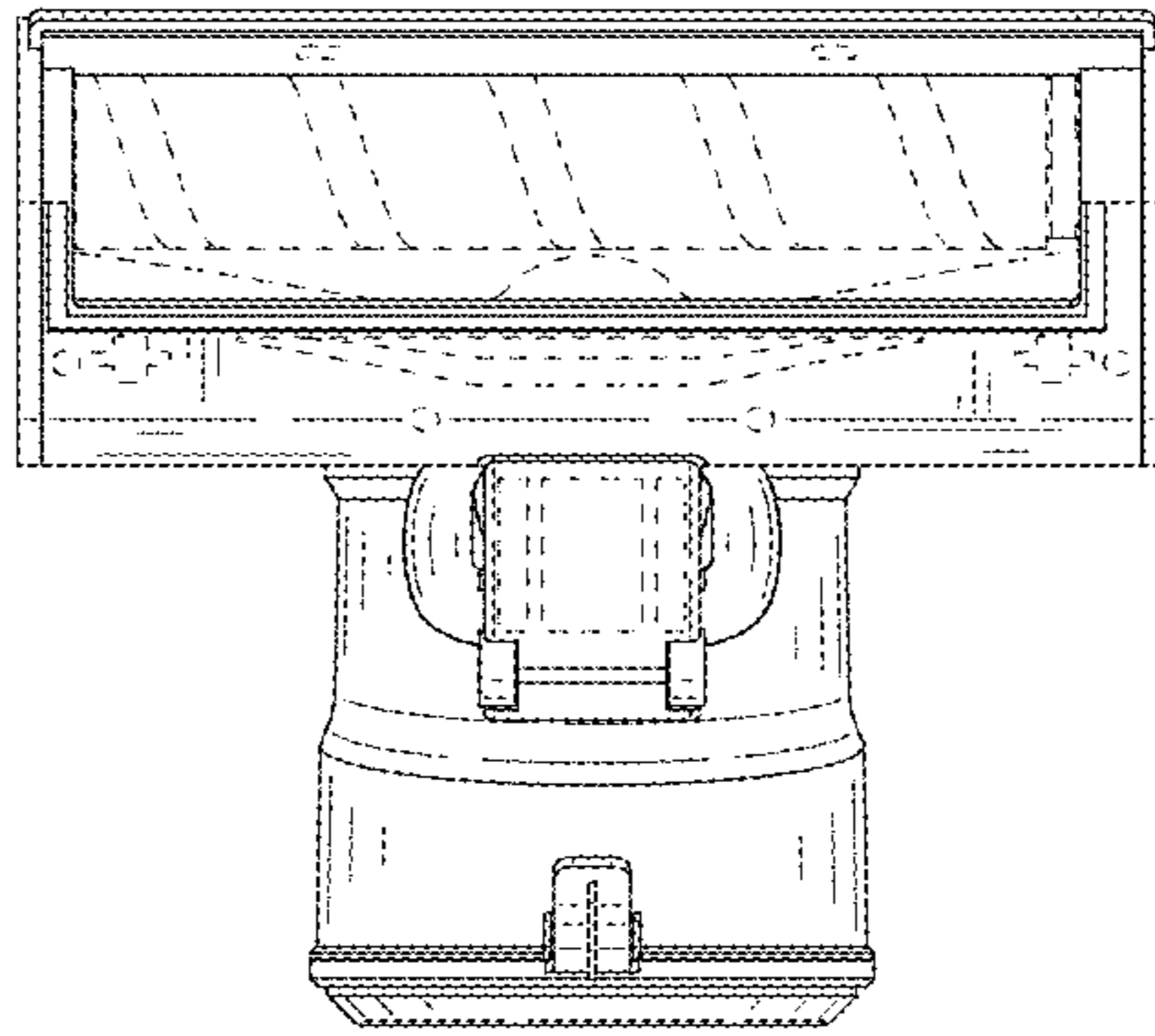


FIG. 8

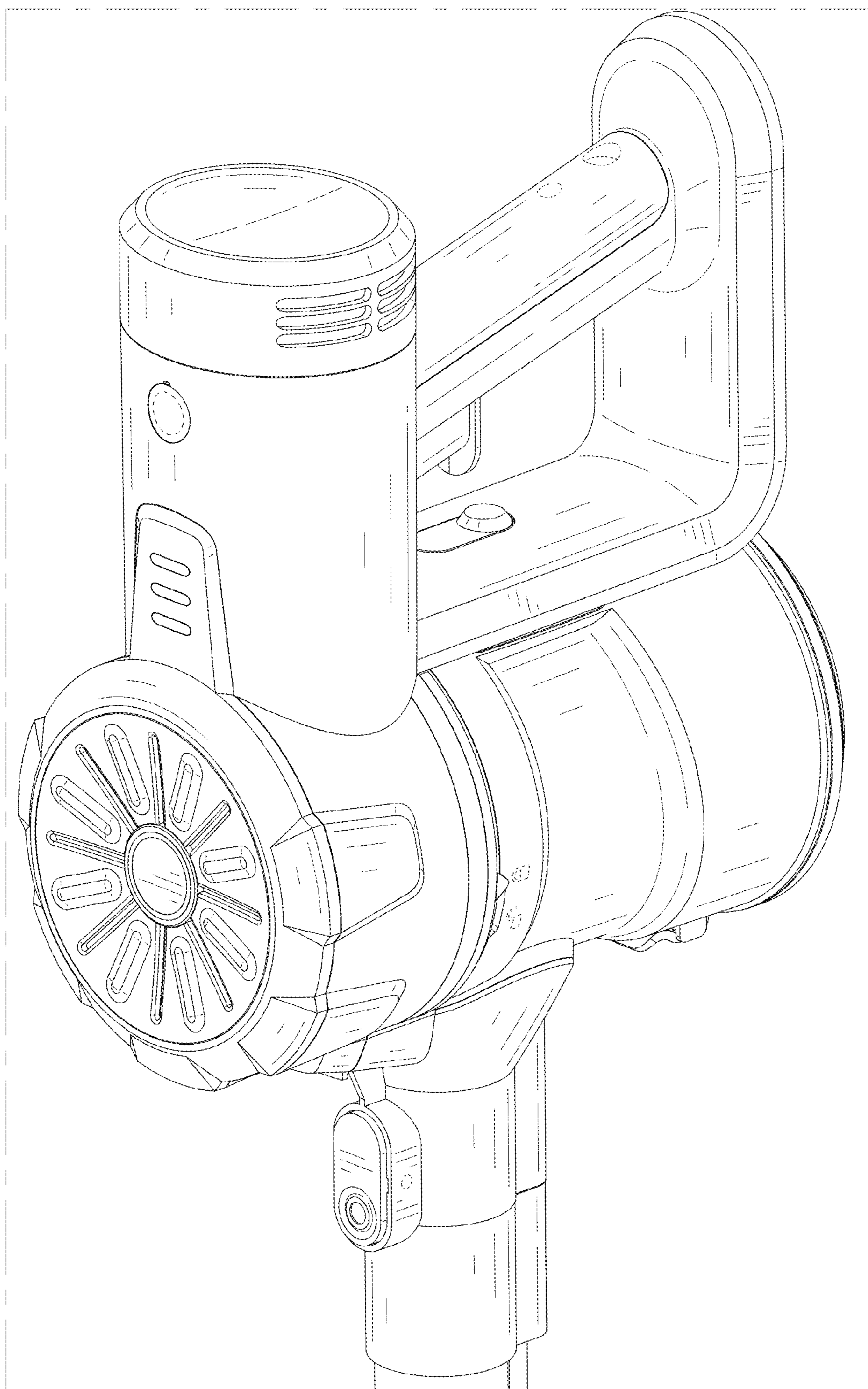


FIG. 9

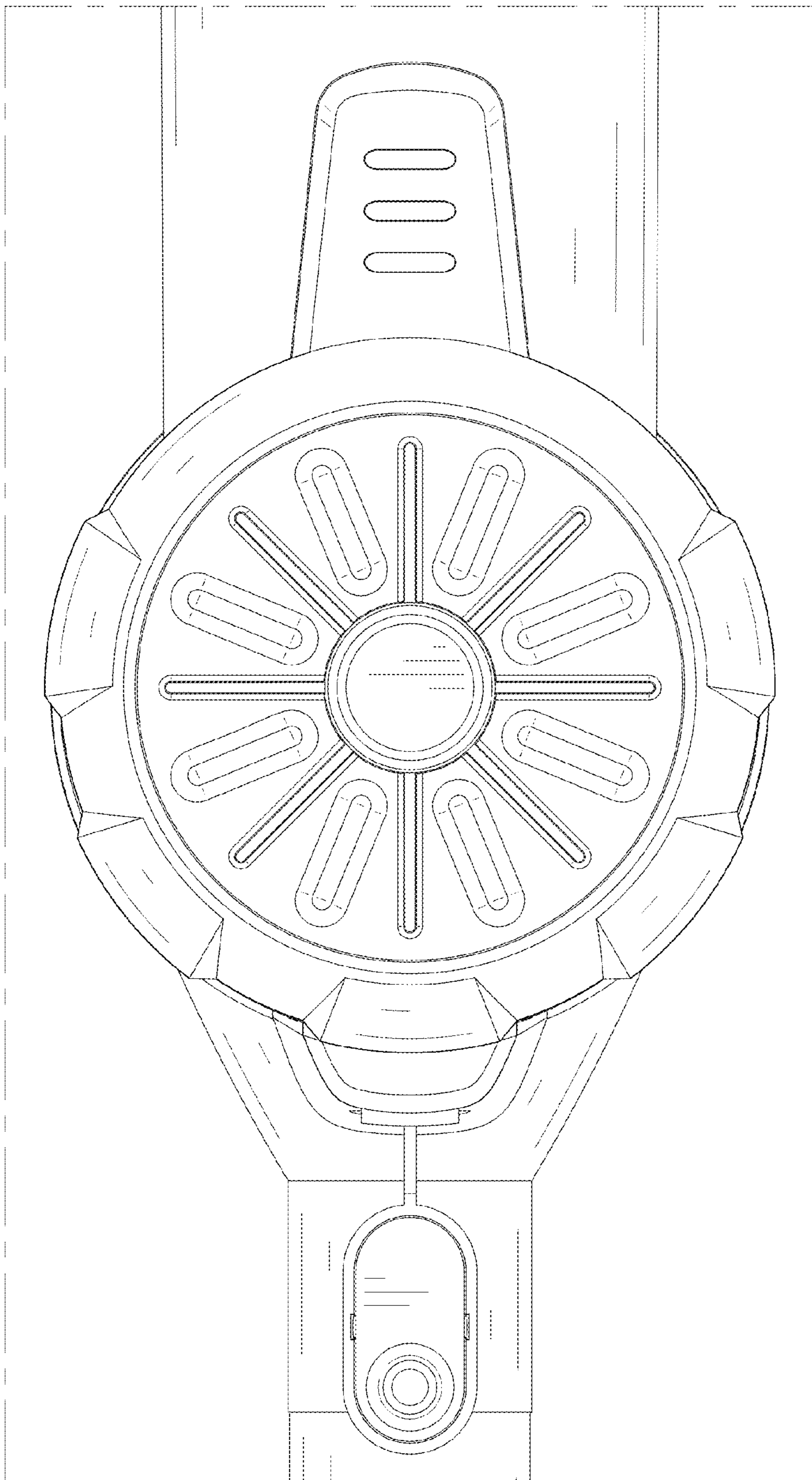


FIG. 10

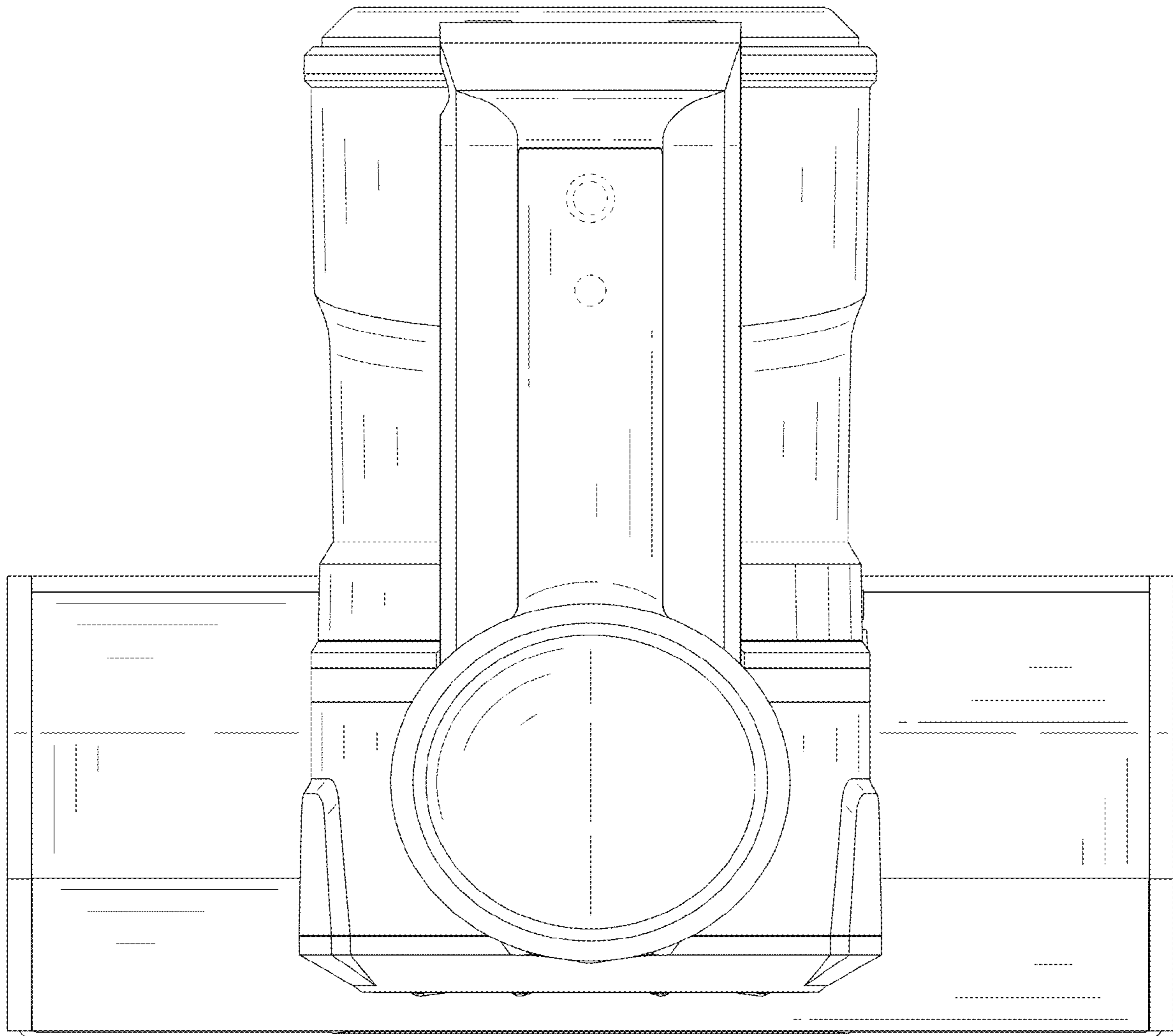


FIG. 11

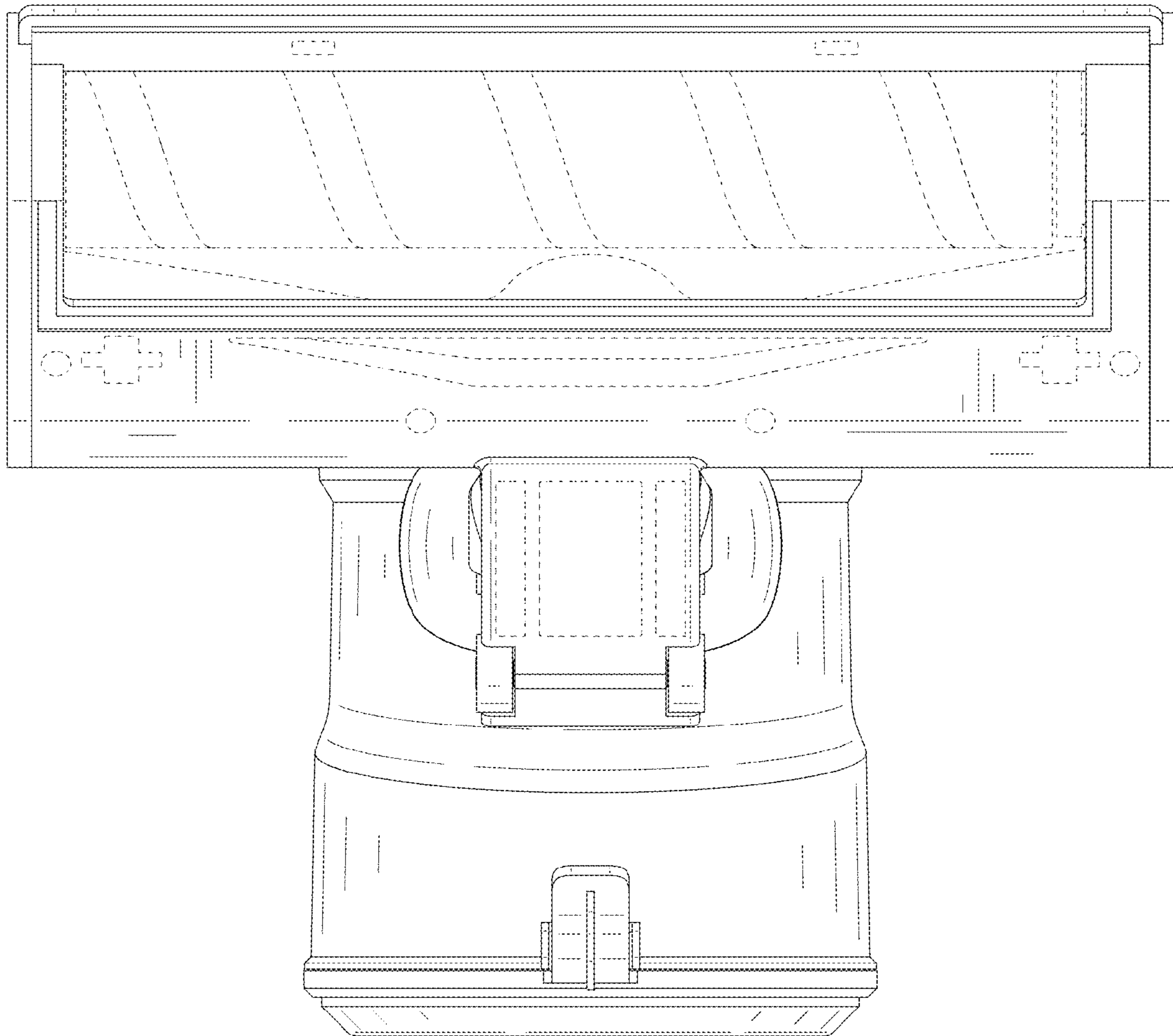


FIG. 12