



US00D932122S

(12) **United States Design Patent** (10) **Patent No.:** **US D932,122 S**
Xu (45) **Date of Patent:** **** Sep. 28, 2021**

(54) **VACUUM CLEANER**

(71) Applicant: **Suzhou Sweep Electric Appliance Co., Ltd., Suzhou (CN)**

(72) Inventor: **Dongliang Xu, Shenzhen (CN)**

(**) Term: **15 Years**

(21) Appl. No.: **29/773,294**

(22) Filed: **Mar. 9, 2021**

(30) **Foreign Application Priority Data**

Sep. 10, 2020 (CN) 202030535062.9

(51) **LOC (13) Cl.** **15-05**

(52) **U.S. Cl.**
USPC **D32/18**

(58) **Field of Classification Search**

USPC D32/17, 18, 21, 22, 23, 24, 31; D21/526

CPC A46B 9/06; A47L 5/24; A47L 5/28; A47L 5/30; A47L 5/34; A47L 7/0004; A47L 9/04; A47L 9/325; A47L 9/1683; A47L 11/302; A47L 11/34; A47L 11/4005; A47L 11/4008; A47L 11/4016; A47L 11/4041; A47L 11/4044; A47L 11/4088; A47L 13/225; B04C 5/185; B08B 3/04; B23Q 11/0046; B23Q 11/0071; E04H 4/1636

See application file for complete search history.

(56) **References Cited**

U.S. PATENT DOCUMENTS

D708,803 S * 7/2014 Dyson D32/31
D709,256 S * 7/2014 Dyson D32/31
D731,130 S * 6/2015 Dyson D32/18
D771,890 S * 11/2016 Kim D32/34
9,675,218 B2 * 6/2017 Kim A47L 9/0054
D800,980 S * 10/2017 Carter D32/21
D819,282 S * 5/2018 Kim D32/22
9,986,880 B2 * 6/2018 Conrad A47L 9/165
D861,268 S * 9/2019 Meyer D32/22

D862,011 S * 10/2019 Kim D32/22
D875,336 S 2/2020 Knox et al.
D882,192 S * 4/2020 Zhang D32/18
(Continued)

FOREIGN PATENT DOCUMENTS

JP D1655467 * 3/2020
JP D1667918 * 9/2020
(Continued)

OTHER PUBLICATIONS

Dyson Cyclone Assembly, available in Amazon.ca, date first available Jun. 12, 2013 [online], [site visited date May 17, 2021], Available from the internet URL: https://www.amazon.ca/Dyson-Cyclone-Assembly-Purple-Dc41/dp/B00Y35WYO8/ref=sr_1_8?dchild=1&keywords=Dyson+Cyclone&qid=1621288356&sr=8-8 (Year: 2013).*

(Continued)

Primary Examiner — Dana K Weiland
Assistant Examiner — Jennylou M Binas

(57) **CLAIM**

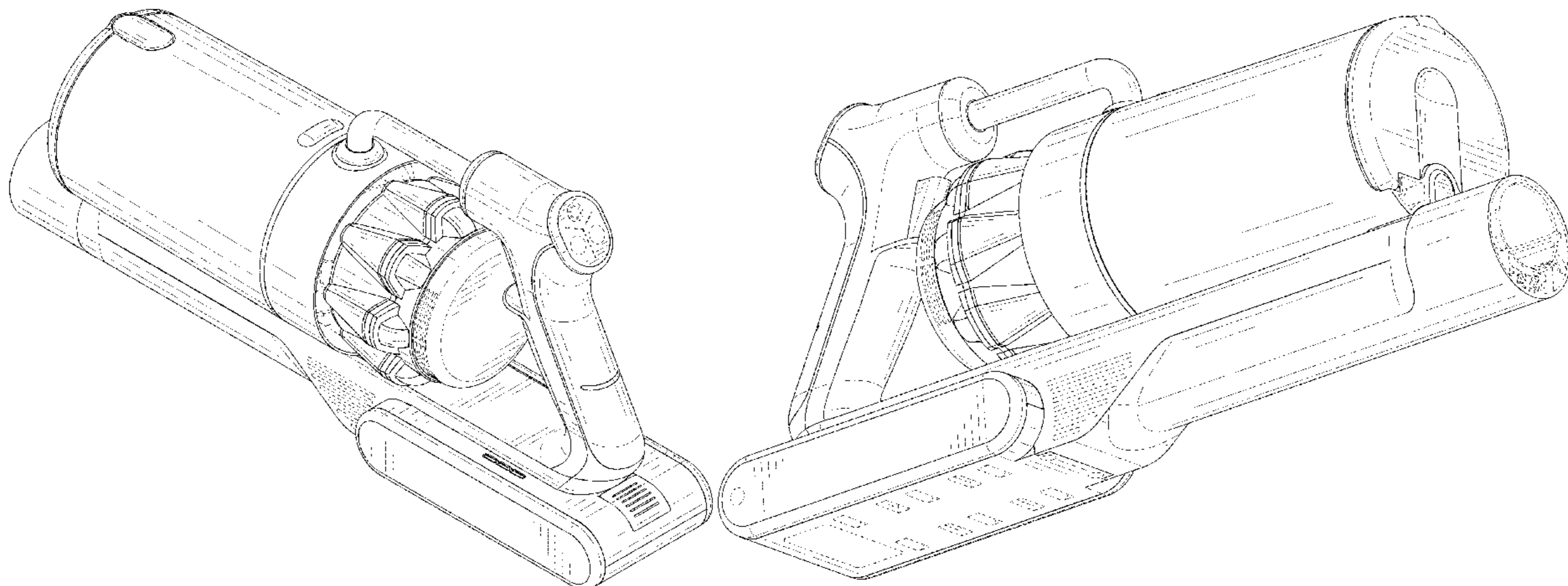
The ornamental design for a vacuum cleaner, as shown and described.

DESCRIPTION

FIG. 1 is a first perspective view of a vacuum cleaner showing my new design;
FIG. 2 is a second perspective view thereof;
FIG. 3 is a front view thereof;
FIG. 4 is a back view thereof;
FIG. 5 is a left side view thereof;
FIG. 6 is a right side view thereof;
FIG. 7 is a top view thereof; and,
FIG. 8 is a bottom view thereof.

The broken lines shown in the drawings depict portions of the vacuum cleaner in which the design is embodied that form no part of the claimed design.

1 Claim, 8 Drawing Sheets



(56)

References Cited

U.S. PATENT DOCUMENTS

D891,014 S 7/2020 Chu
D901,109 S 11/2020 Chen
D902,510 S * 11/2020 Knight Adams D32/22
D905,360 S * 12/2020 Ma D32/22
D905,919 S * 12/2020 Niedzwecki D32/34
D908,990 S * 1/2021 Chen D32/22
D912,344 S * 3/2021 Choi D32/22
2016/0174789 A1 * 6/2016 Han A47L 9/1683
15/327.1
2019/0208974 A1 * 7/2019 Oka A47L 9/246

FOREIGN PATENT DOCUMENTS

JP D1668019 * 9/2020
JP D1681729 * 3/2021
WO D204229-001 * 11/2019

OTHER PUBLICATIONS

Laresar Cordless Vacuum Cleaner, available in Amazon.ca, date first available Jan. 20, 2021 [online], [site visited date May 17, 2021], Available from the internet . . . (Year: 2021) URL: https://www.amazon.ca/Laresar-Cordless-Powerful-Lightweight-Rechargeable/dp/B08TGNQ84V/ref=pd_rhf_se_p_img_2?_encoding=UTF8&psc=1&refRID=6HRBMHVF9HGVA0R3JBNB (Year: 2021).*

* cited by examiner

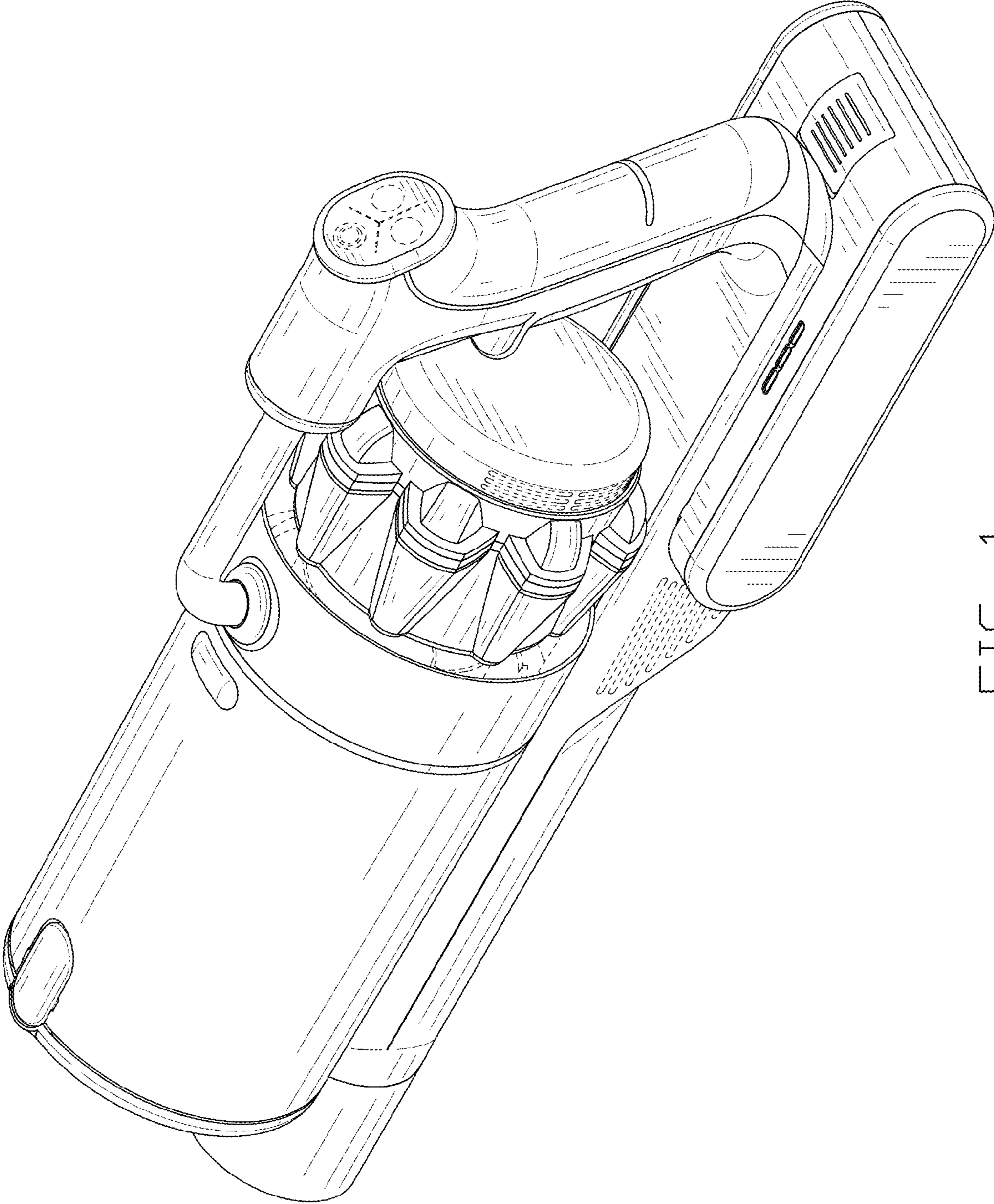


FIG. 1

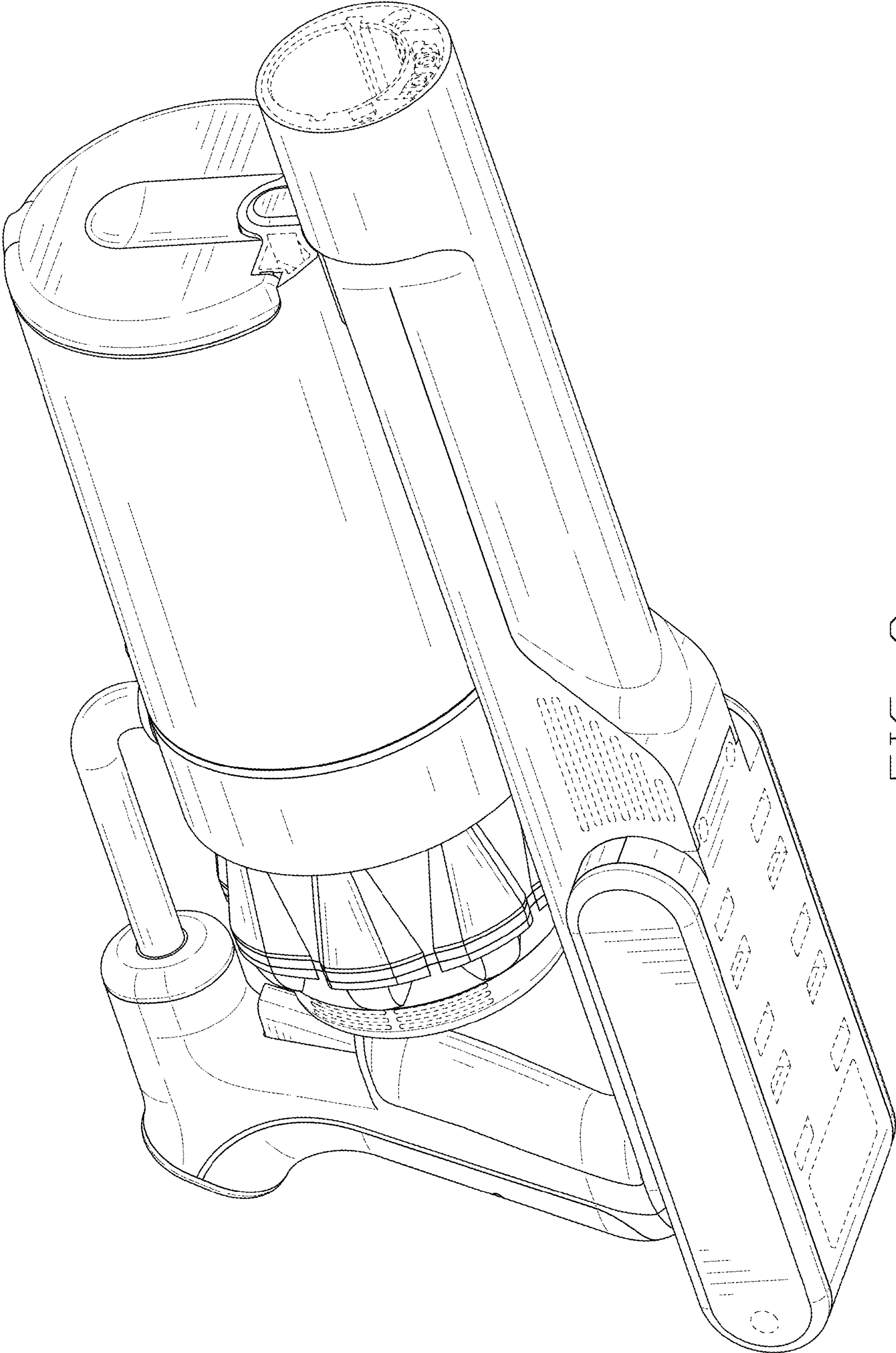


FIG. 2

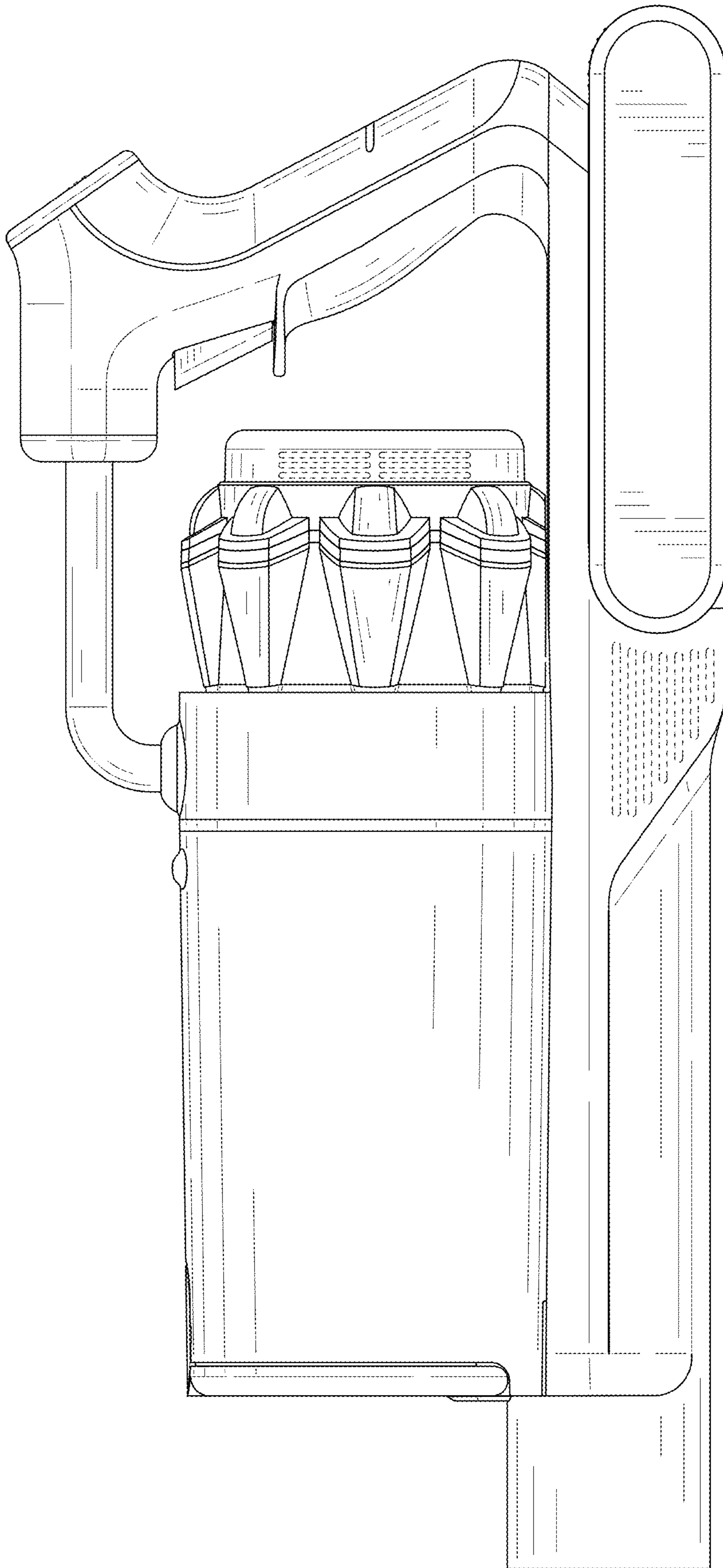


FIG. 3

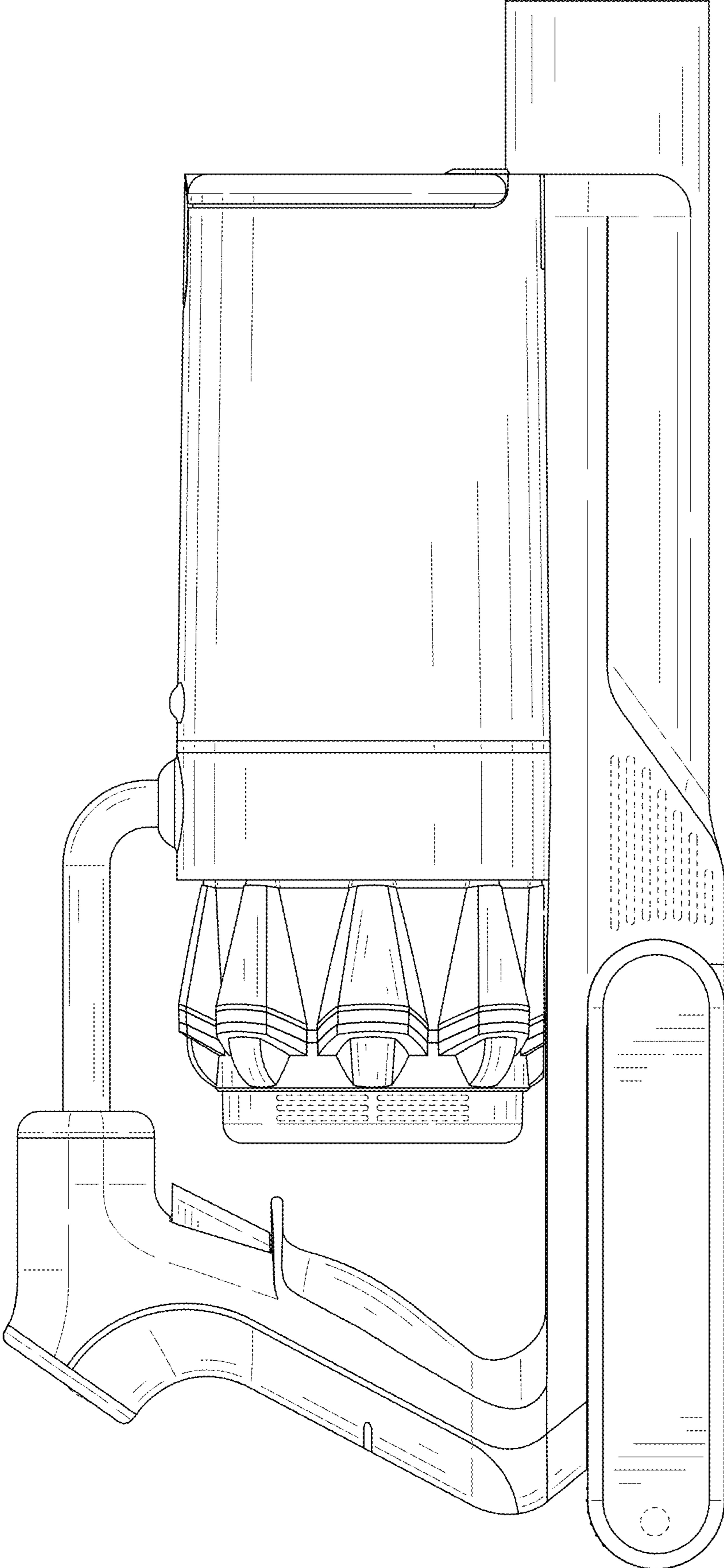


FIG. 4

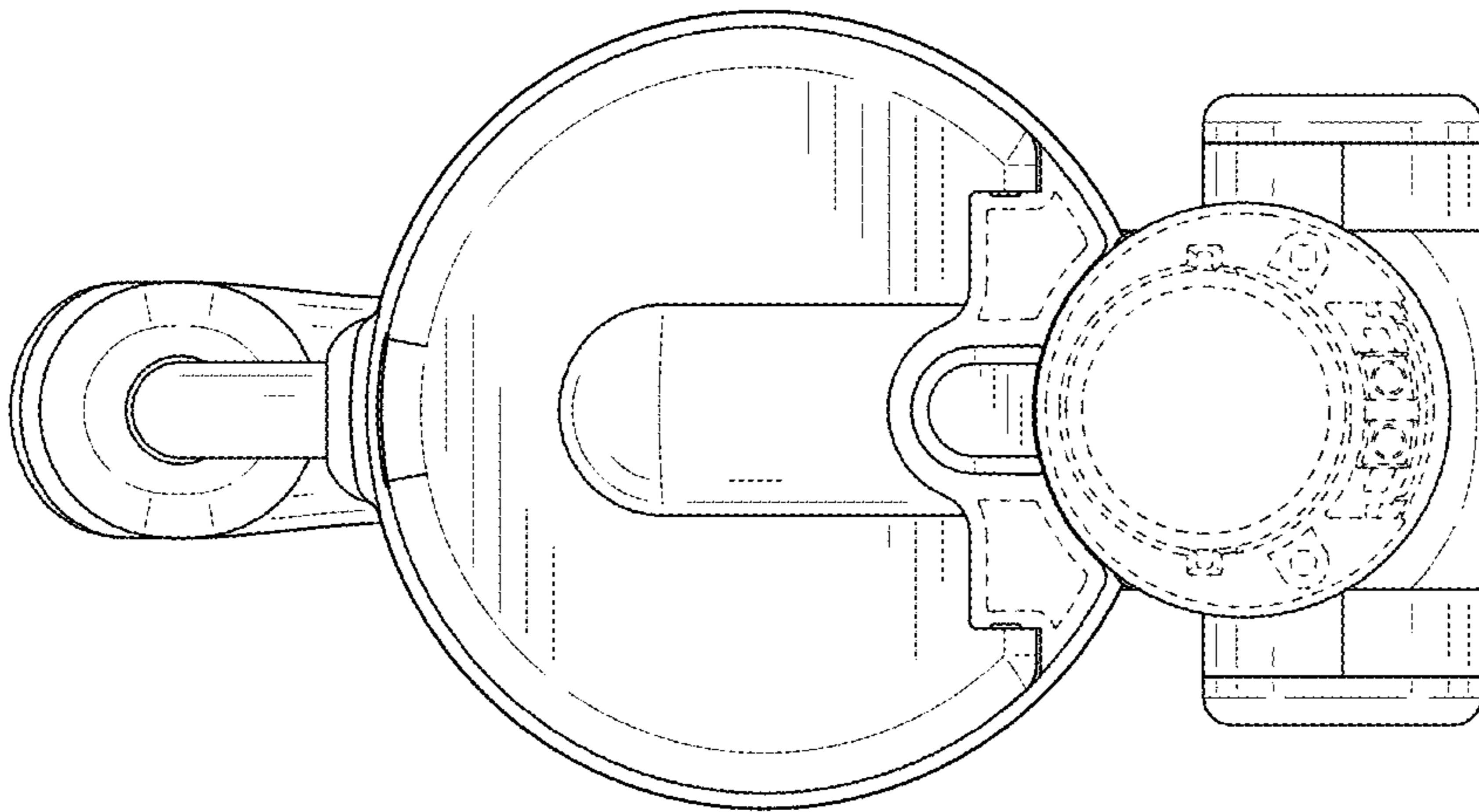


FIG. 5

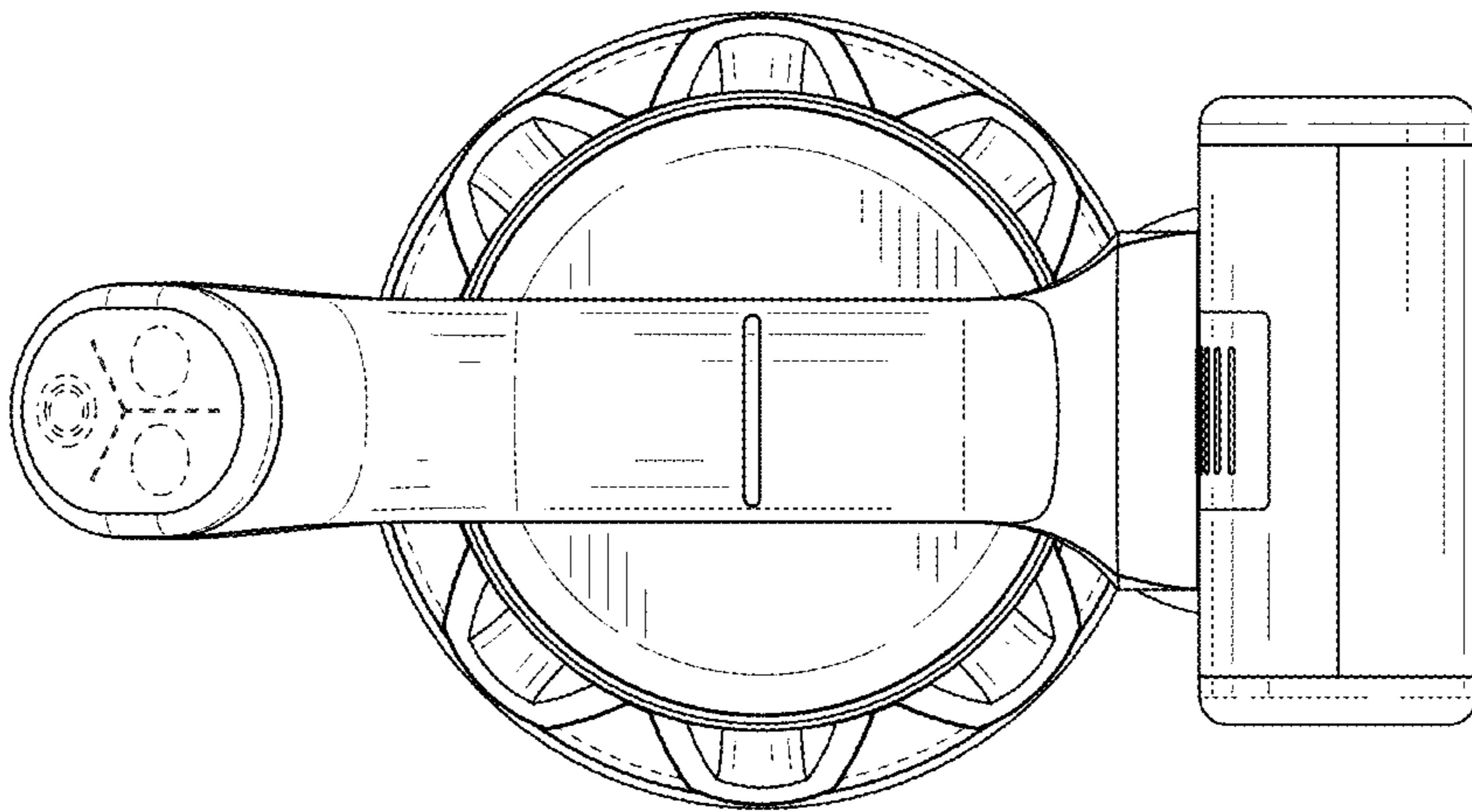


FIG. 6

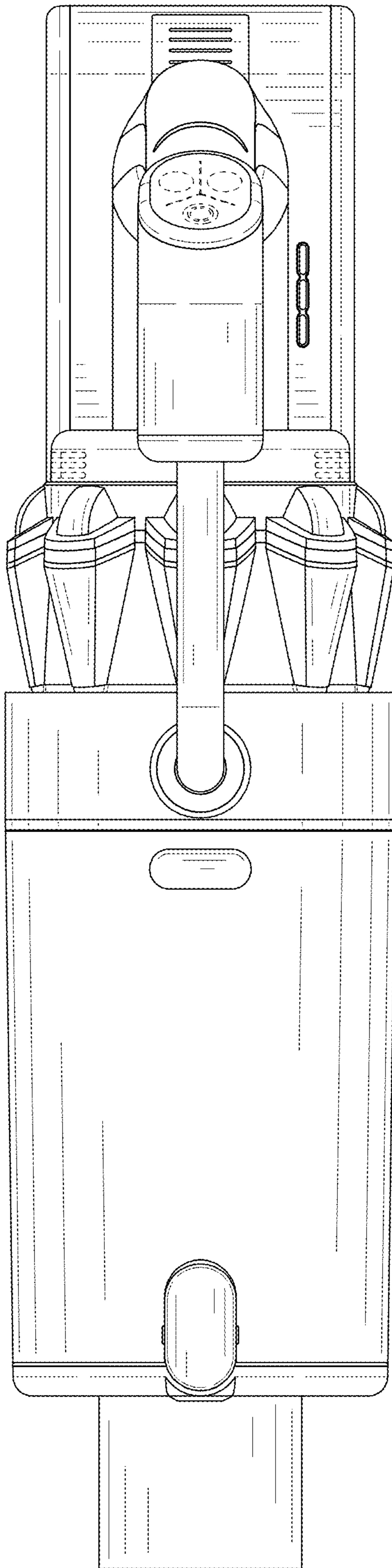


FIG. 7

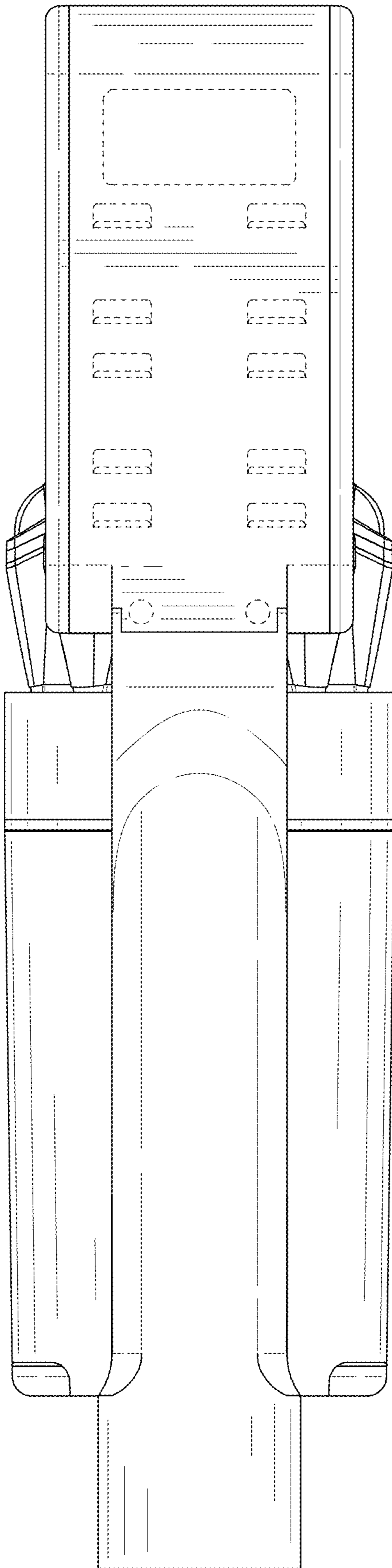


FIG. 8