



US00D932119S

(12) **United States Design Patent** (10) **Patent No.:** **US D932,119 S**
Chang (45) **Date of Patent:** **** Sep. 28, 2021**

(54) **CLEANER**
(71) Applicants: **Excelsior Medical Co., Ltd.**, New Taipei (TW); **Hung Hsing Electric Co., Ltd.**, Tainan (TW)

D414,304 S * 9/1999 Schumaier D32/1
D467,394 S * 12/2002 Schumaier D32/1
D516,258 S * 2/2006 Matsusaki D32/1
D519,688 S * 4/2006 Garske D32/1
D593,262 S * 5/2009 Gong D24/217
D631,620 S * 1/2011 Choi D32/1
D633,260 S * 2/2011 Choi D32/1

(72) Inventor: **Ming-Cheng Chang**, New Taipei (TW)
(73) Assignees: **Excelsior Medical Co., Ltd.**, New Taipei (TW); **Hung Hsing Electric Co., Ltd.**, Tainan (TW)

(Continued)

(**) Term: **15 Years**

OTHER PUBLICATIONS

Ultrasonic Cleaner <https://www.walmart.com/ip/ANGGREK-Ultrasonic-Cleaner-10L-Digital-Cleaning-Machine-Ultrasonic-Cleaner-Bath-Tank-Timer-Heated-Machine/402392842> (Year: 2021).*

(21) Appl. No.: **29/727,357**

(Continued)

(22) Filed: **Mar. 10, 2020**

Primary Examiner — Michelle E. Wilson
Assistant Examiner — Richard E Yenchesky

(30) **Foreign Application Priority Data**

(74) *Attorney, Agent, or Firm* — Wang Law Firm, Inc.

Sep. 10, 2019 (TW) 108305491

(57) **CLAIM**

(51) **LOC (13) Cl.** **15-05**

The ornamental design for a cleaner, as shown and described.

(52) **U.S. Cl.**
USPC **D32/1**

DESCRIPTION

(58) **Field of Classification Search**
USPC D15/122; D23/207; D24/217; D32/1
CPC A47L 11/284; B08B 3/02
See application file for complete search history.

FIG. 1 is a 1st perspective view of cleaner, showing my new design;
FIG. 2 is a 2nd perspective view thereof;
FIG. 3 is a front elevational view thereof;
FIG. 4 is a rear elevational view thereof;
FIG. 5 is a left side elevational view thereof;
FIG. 6 is a right elevational view thereof;
FIG. 7 is a top elevational view thereof;
FIG. 8 is a bottom elevational view thereof;
FIG. 9 is a reference view during usage;
FIG. 10 is a reference view during usage; and,
FIG. 11 is a sectional view of FIG. 5.

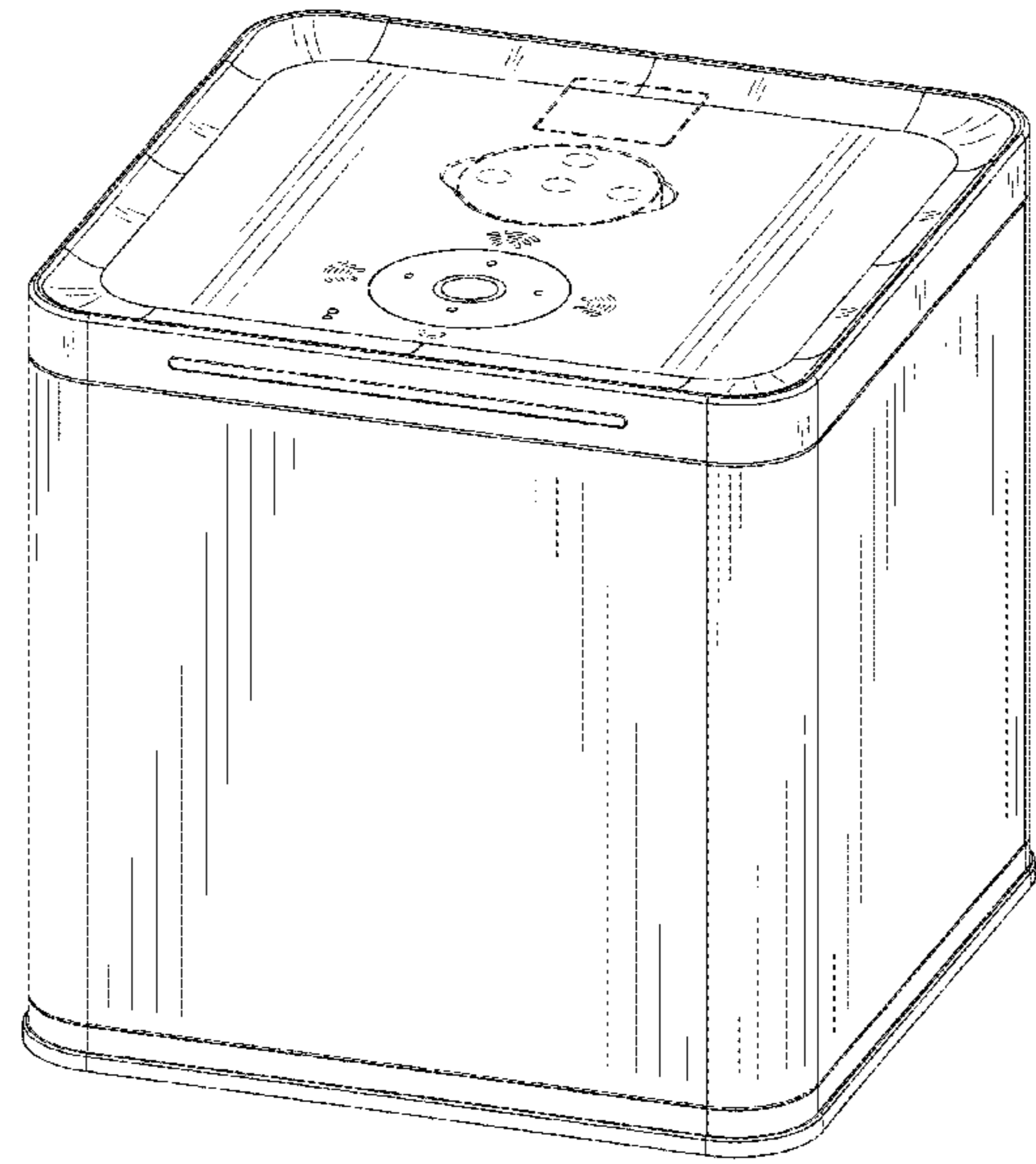
(56) **References Cited**

The broken line showing of a display screen forms no part of the claimed design.

U.S. PATENT DOCUMENTS

D204,306 S * 4/1966 Hamm D32/1
D229,220 S * 11/1973 Pulos D24/217
D261,423 S * 10/1981 Geissler D24/217
D269,370 S * 6/1983 Groff D23/207
D303,854 S * 10/1989 Linton D32/1
D307,653 S * 5/1990 Weirsmann D32/1
D307,654 S * 5/1990 Weirsmann D32/1
4,995,409 A * 2/1991 Watts B08B 3/02
134/111
D406,416 S * 3/1999 Chan D32/1

1 Claim, 11 Drawing Sheets



(56)

References Cited

U.S. PATENT DOCUMENTS

D633,663	S	*	3/2011	Choi	D32/1
D682,490	S	*	5/2013	Goetzke	D32/1
D685,540	S	*	7/2013	Yao	D32/1
D704,350	S	*	5/2014	Lau	D24/217
D747,567	S	*	1/2016	Marks	D32/1
D748,872	S	*	2/2016	Yao	D32/1
D763,521	S	*	8/2016	Yao	D32/1
D778,004	S	*	1/2017	Yao	D32/1
D778,005	S	*	1/2017	Yao	D32/1
D781,003	S	*	3/2017	Yao	D32/1
D781,509	S	*	3/2017	Yao	D32/1
D796,749	S	*	9/2017	Kessler	D32/1
D808,091	S	*	1/2018	Pan	D32/1
D828,654	S	*	9/2018	Yao	D32/1
D832,533	S	*	10/2018	Yao	D32/1
D873,434	S	*	1/2020	Xie	D24/217
D881,407	S	*	4/2020	Li	D24/217
D898,218	S	*	10/2020	Hickey	D24/217
D900,172	S	*	10/2020	Wu	D15/122
D900,416	S	*	10/2020	Yao	D32/1
D907,233	S	*	1/2021	Wu	D24/217
2015/0128996	A1	*	5/2015	Dooley	A47L 11/284 134/6

OTHER PUBLICATIONS

Medesy <https://www.medesy.it/en/product/ultrasonic-cleaner-12-litre/> (Year: 2021).*

* cited by examiner

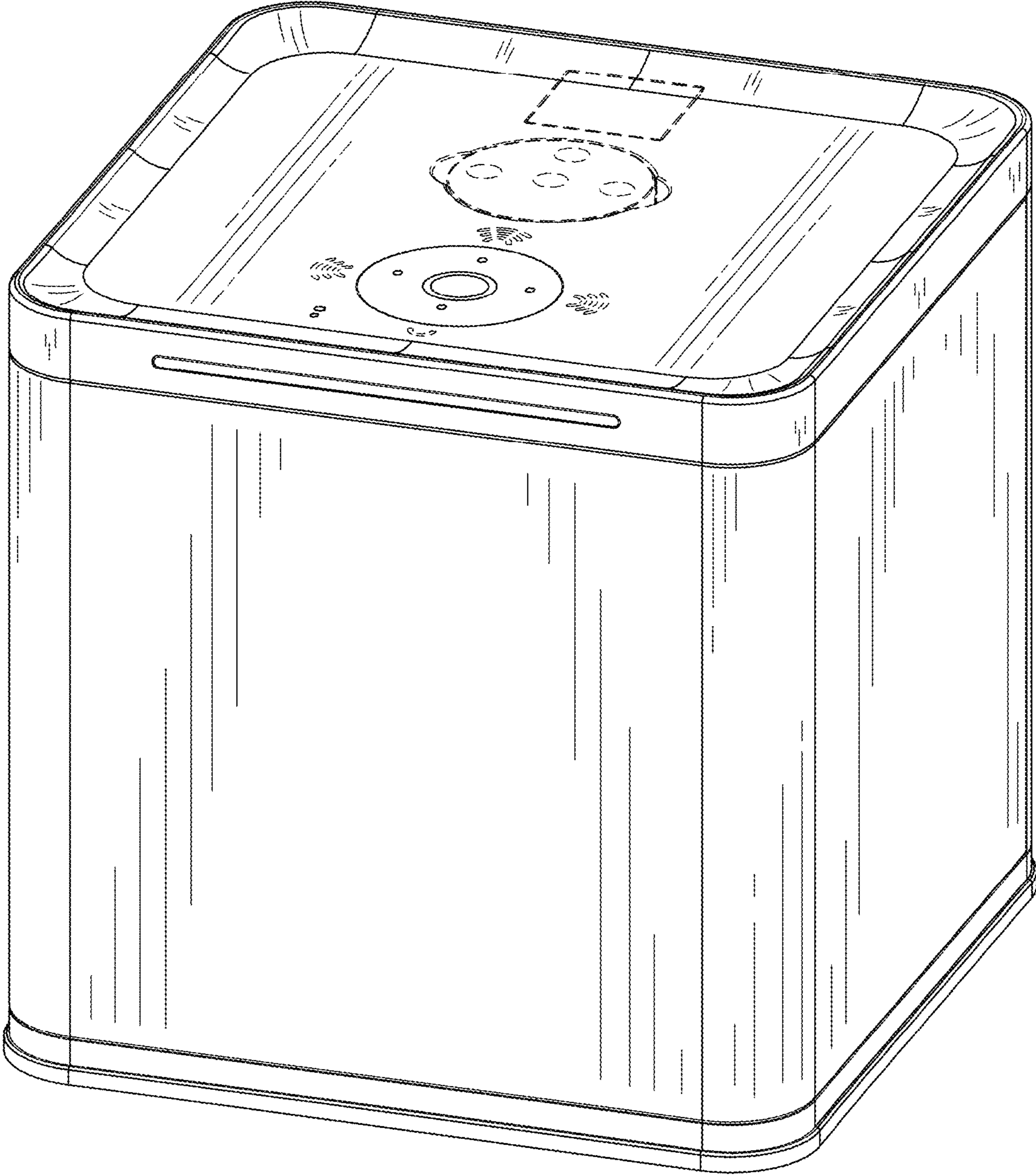


FIG. 1

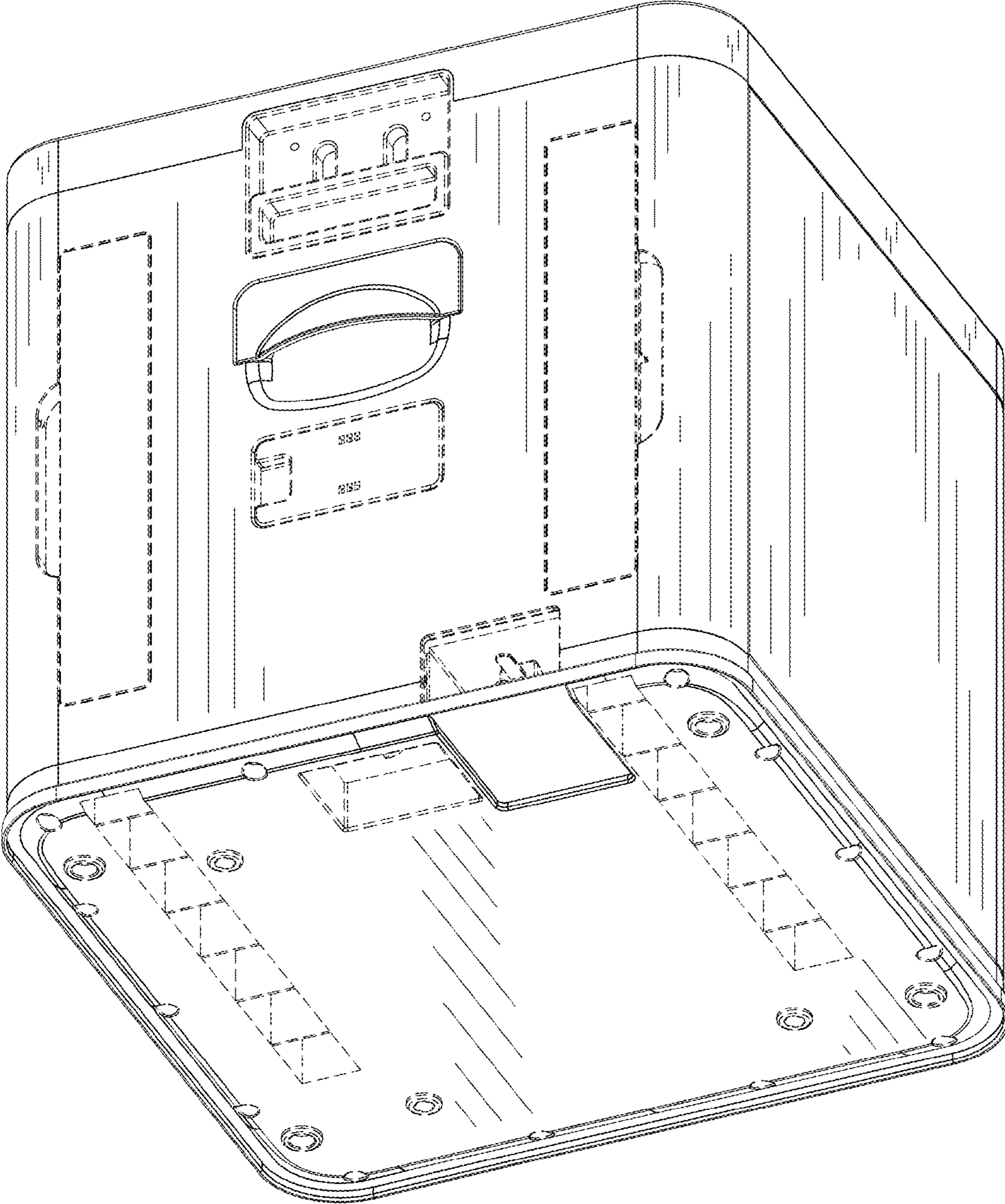


FIG. 2

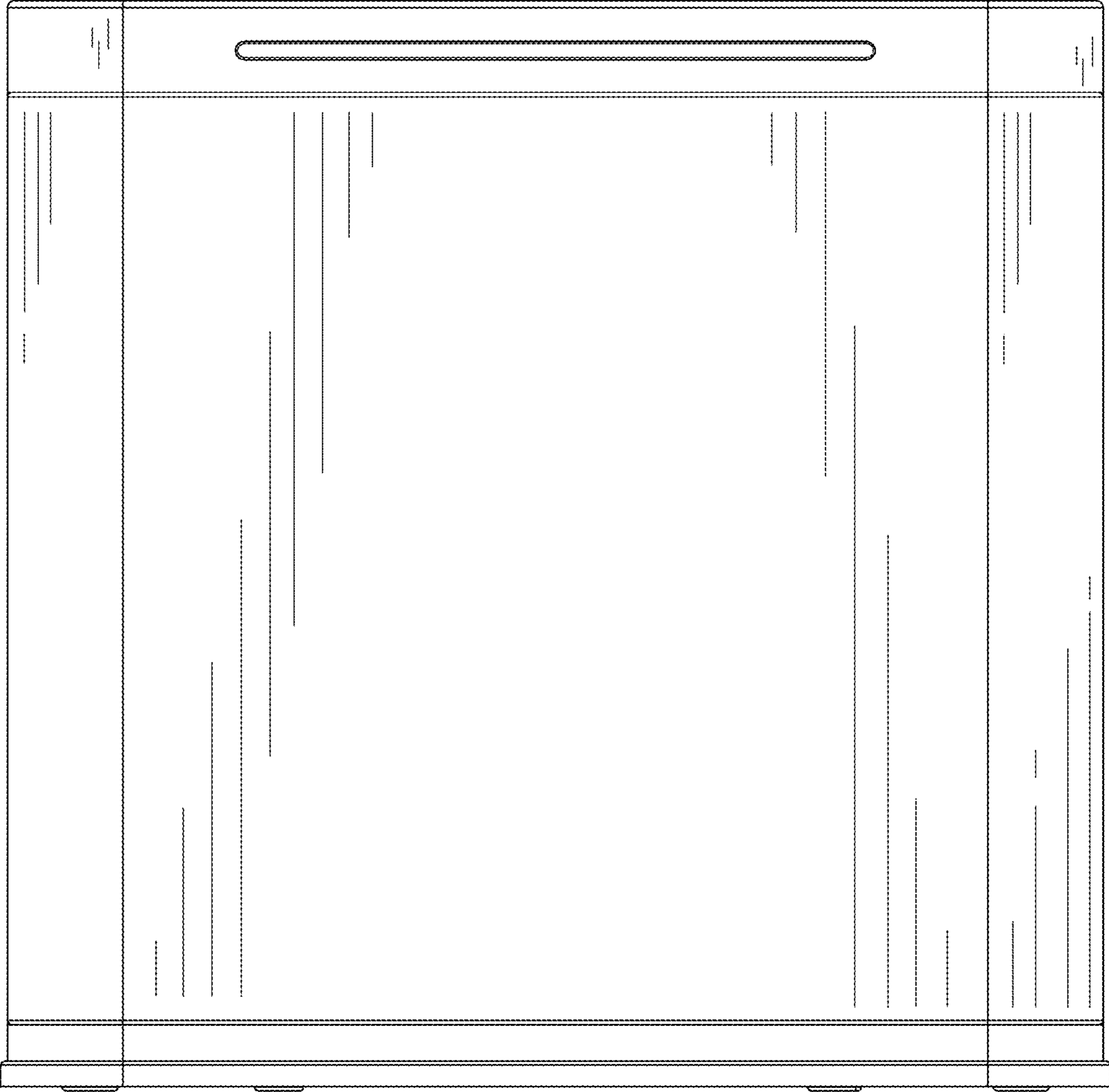


FIG. 3

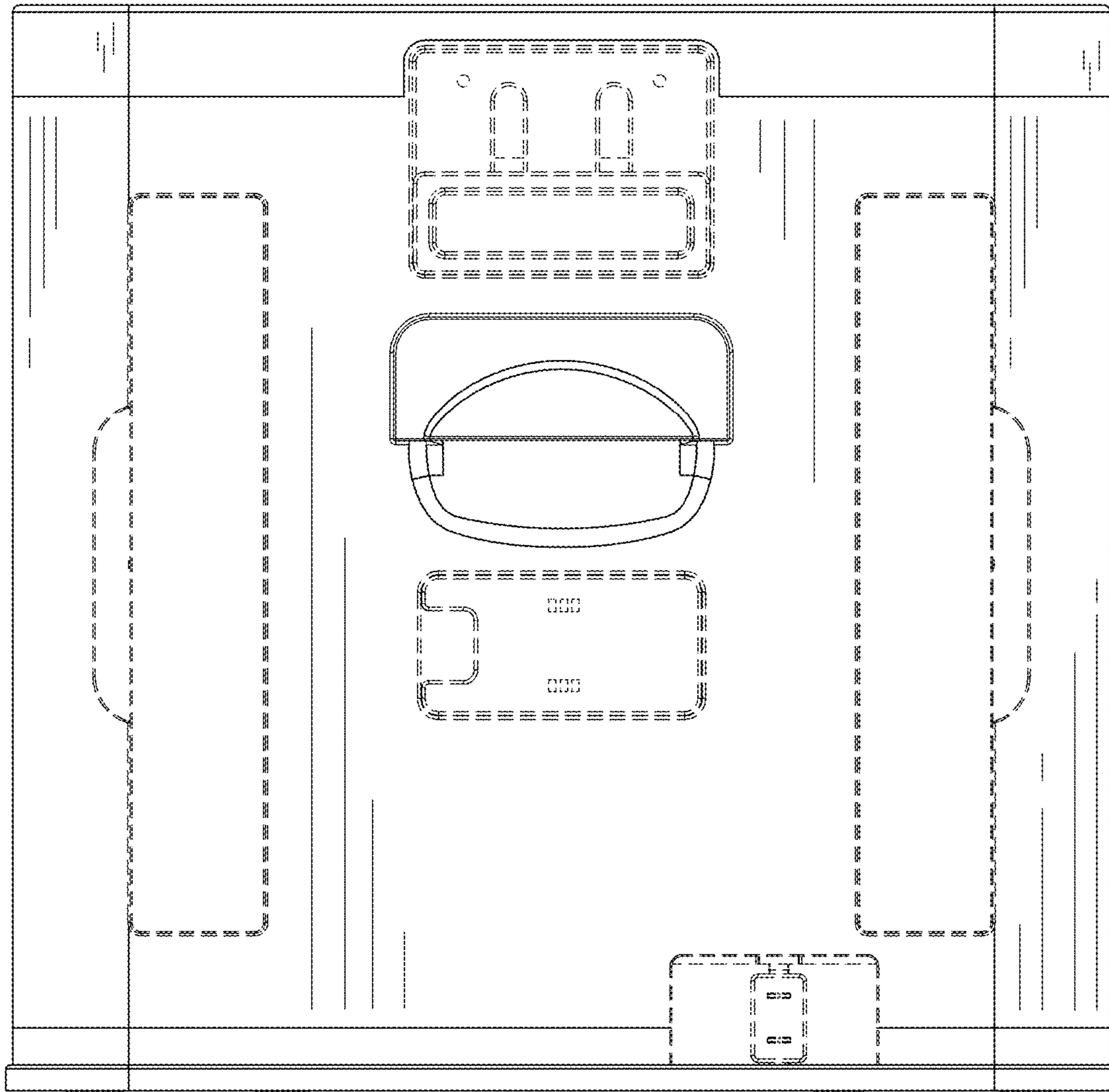


FIG. 4

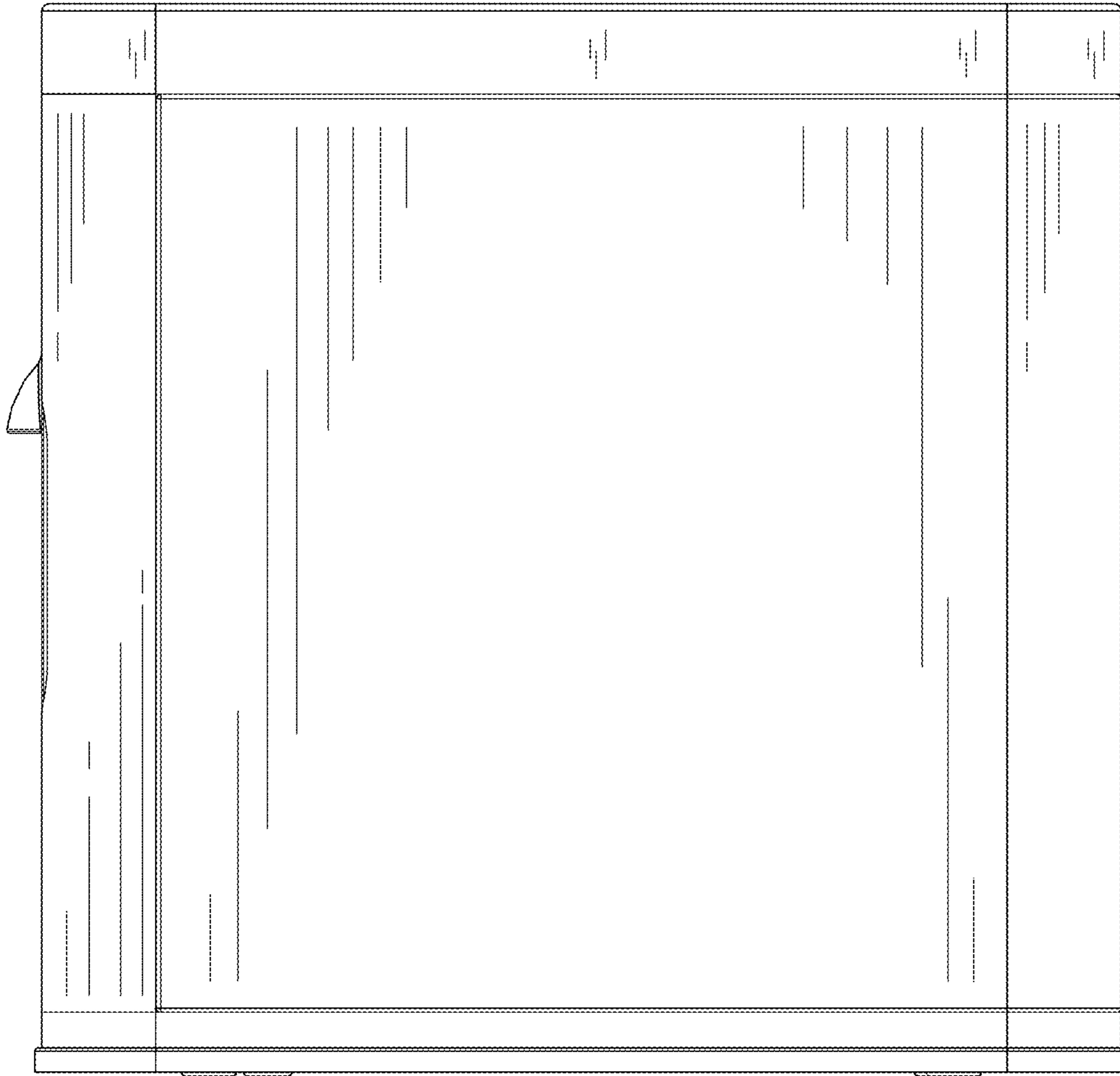


FIG. 5

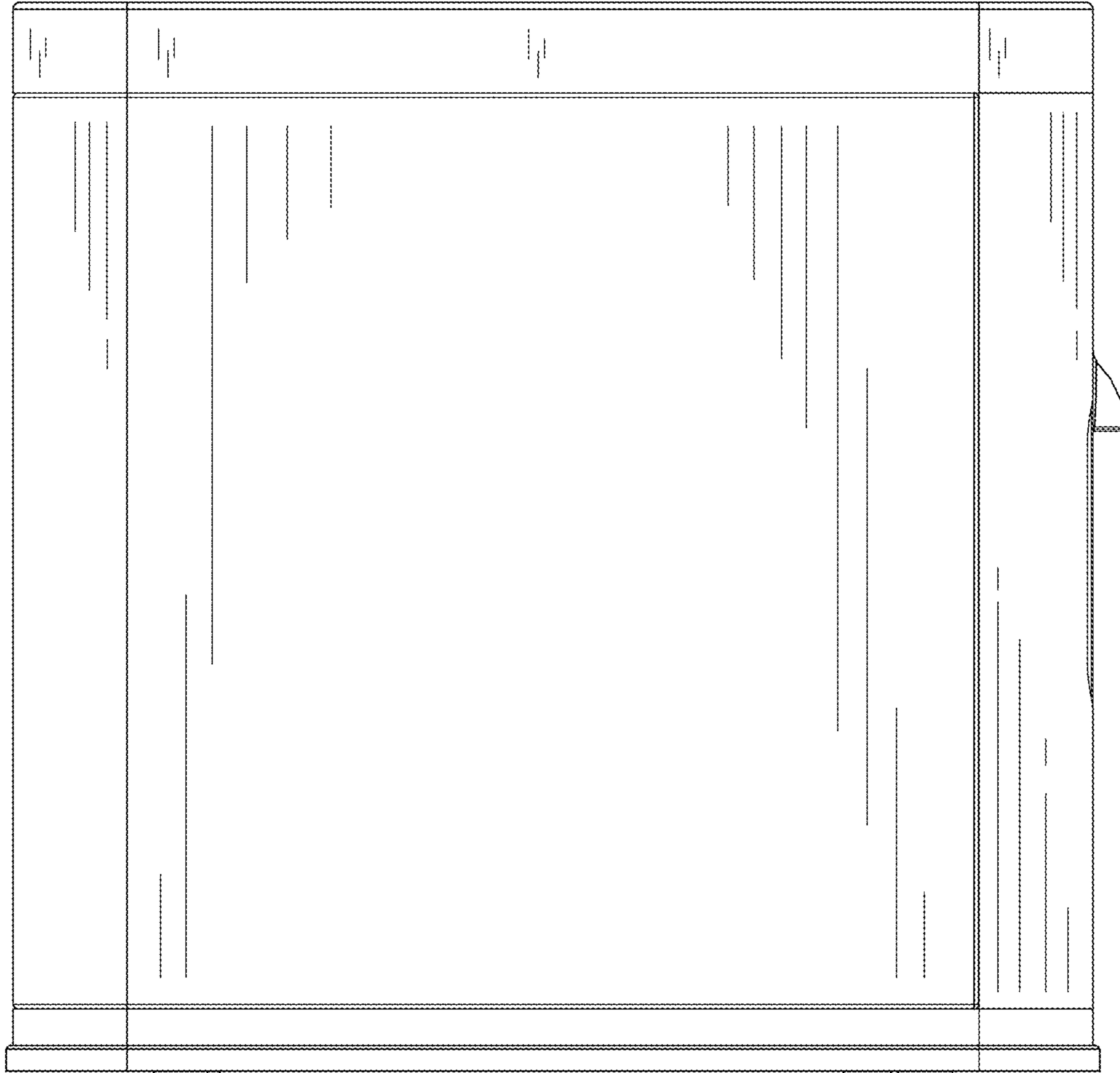


FIG. 6

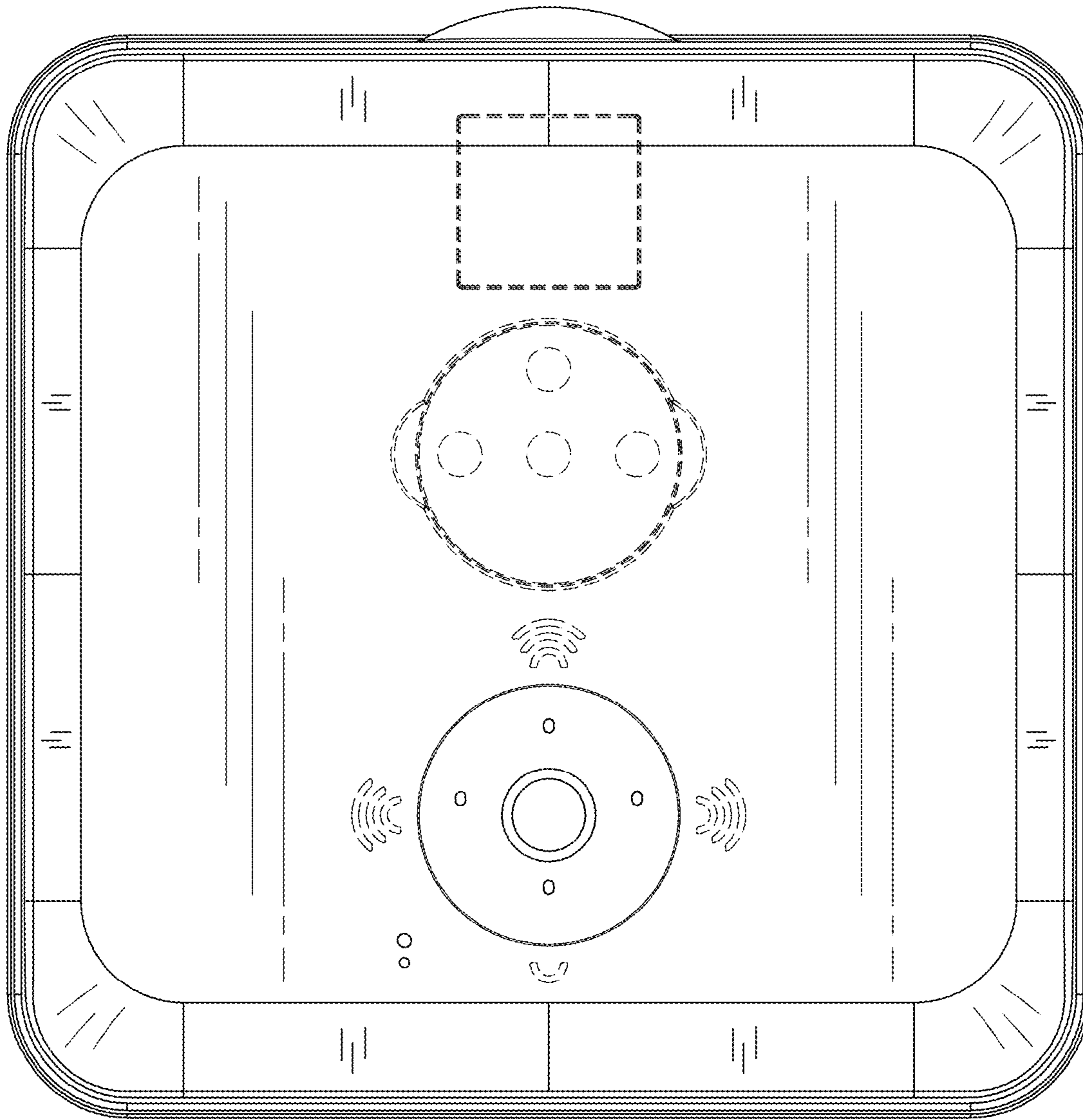


FIG. 7

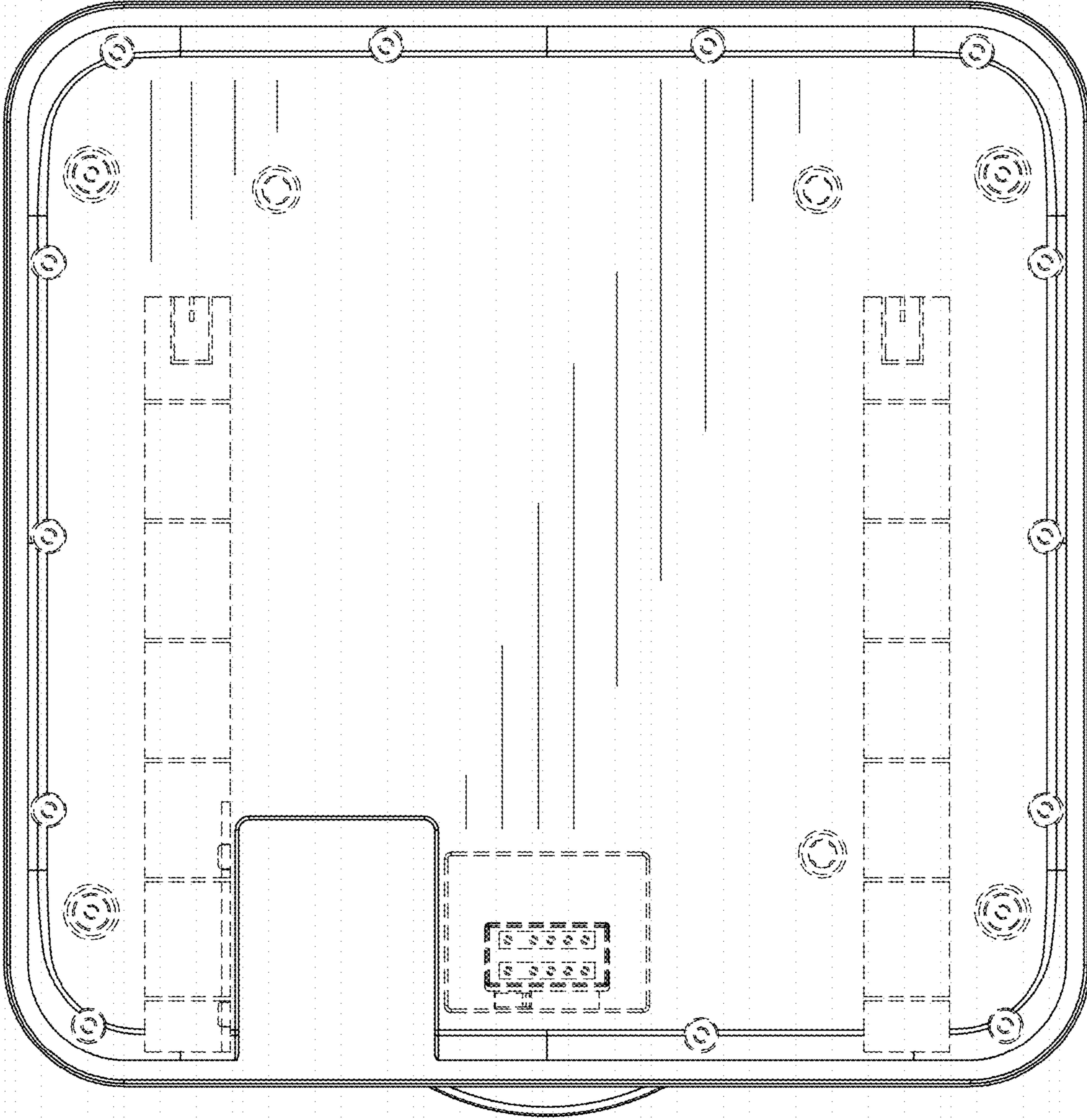


FIG. 8

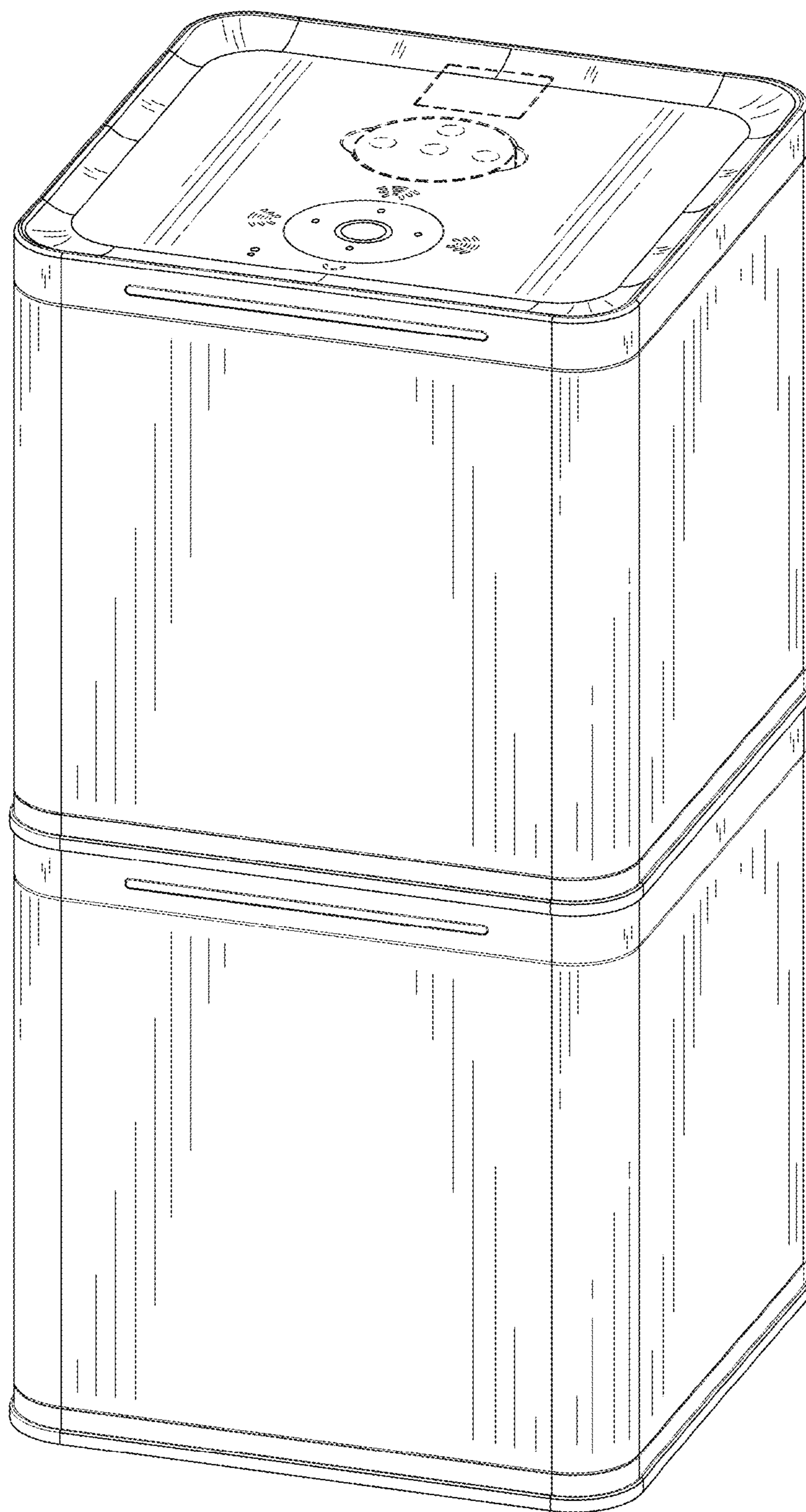


FIG. 9

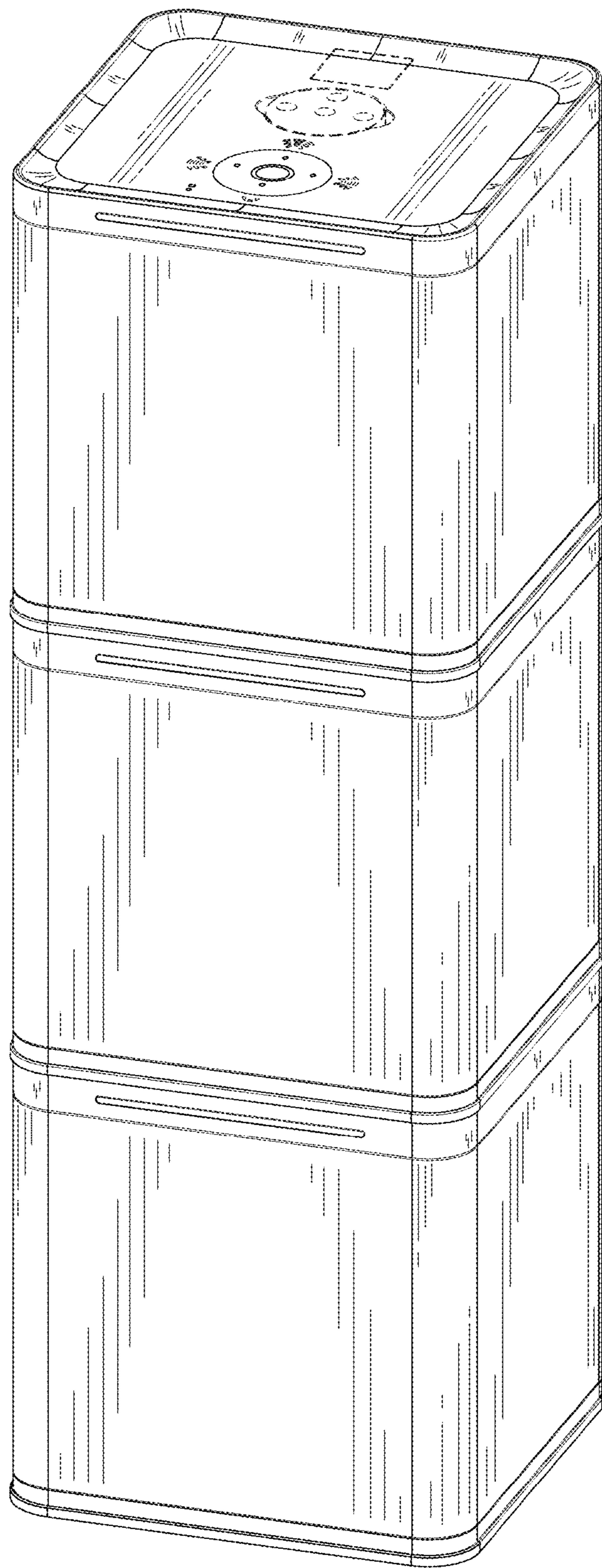


FIG. 10

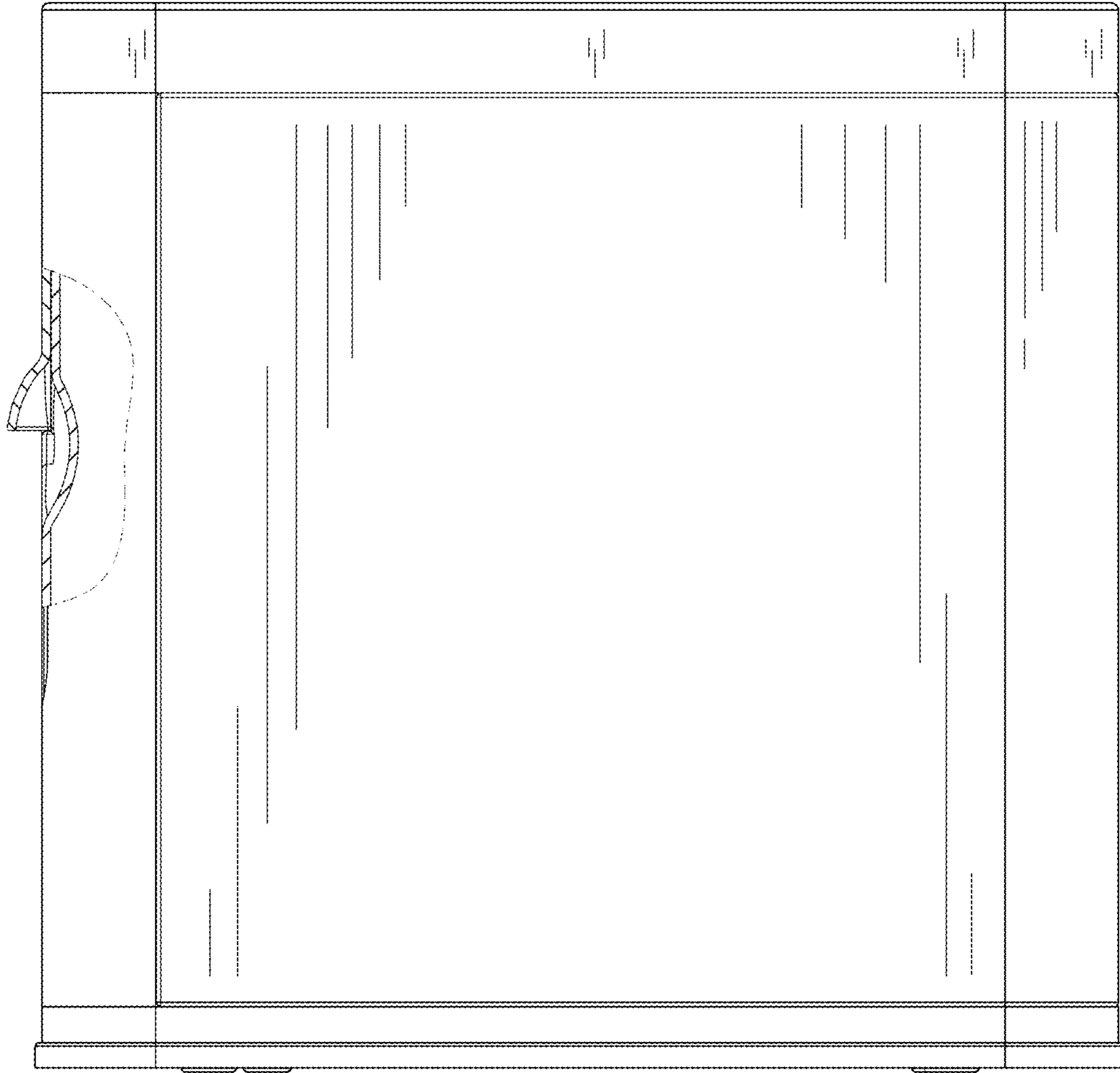


FIG. 11