



US00D932118S

(12) **United States Design Patent** (10) **Patent No.:** **US D932,118 S**
Lim et al. (45) **Date of Patent:** **** Sep. 28, 2021**

(54) **STERILIZING CLEANER**

(71) Applicant: **LG ELECTRONICS INC.**, Seoul (KR)

(72) Inventors: **Jaemyung Lim**, Seoul (KR); **Seungmin Yoo**, Seoul (KR); **Jimin Yuk**, Seoul (KR); **Keunho Ju**, Seoul (KR)

(73) Assignee: **LG ELECTRONICS INC.**, Seoul (KR)

(**) Term: **15 Years**

(21) Appl. No.: **29/694,812**

(22) Filed: **Jun. 13, 2019**

(30) **Foreign Application Priority Data**

Dec. 14, 2018 (KR) 30-2018-0059211

(51) **LOC (13) Cl.** **15-05**

(52) **U.S. Cl.**
USPC **D32/1**

(58) **Field of Classification Search**
USPC D32/1, 46; D24/217-218, 232; D7/354
(Continued)

(56) **References Cited**

U.S. PATENT DOCUMENTS

D264,377 S * 5/1982 Thomas D24/218
D275,701 S * 9/1984 Thomas D24/218
(Continued)

FOREIGN PATENT DOCUMENTS

KR 300993501.0000 * 2/2019

OTHER PUBLICATIONS

Amazon smart phone sterilizer, reviews 2019, site visited May 22, 2021, <https://www.amazon.com/Smartphone-Sanitizer-Sterilizer-Aromatherapy-Cellphone/dp/B08FBXS7J9?th=1>.*

Primary Examiner — John R Yeh

(74) *Attorney, Agent, or Firm* — Birch, Stewart, Kolasch & Birch LLP

(57) **CLAIM**

The ornamental design for a sterilizing cleaner, as shown and described.

DESCRIPTION

FIG. 1 is a front perspective view of the sterilizing cleaner showing our new design in hidden state when the claimed design does not operated;

FIG. 2 is a front view thereof where the back view is a mirror image;

FIG. 3 is a left side view thereof;

FIG. 4 is a right side view thereof;

FIG. 5 is a top plan view thereof;

FIG. 6 is a bottom plan view thereof;

FIG. 7 is a front perspective view thereof in a condition that the cleaner is protruding after being operated;

FIG. 8 is a front view of FIG. 7 where the back view is a mirror image;

FIG. 9 is a left side view of FIG. 7;

FIG. 10 is a right side view of FIG. 7;

FIG. 11 is a top plan view of FIG. 7;

FIG. 12 is a bottom plan view of FIG. 7;

FIG. 13 is a front perspective view thereof in a condition that the intermediate state of cleaning;

FIG. 14 is a front view of FIG. 13 where the back view is a mirror image;

FIG. 15 is a left side view of FIG. 13;

FIG. 16 is a right side view of FIG. 13;

FIG. 17 is a top plan view of FIG. 13;

FIG. 18 is a bottom plan view of FIG. 13;

FIG. 19 is a front perspective view thereof in a condition that the final state of cleaning;

FIG. 20 is a front view of FIG. 19 where the back view is a mirror image;

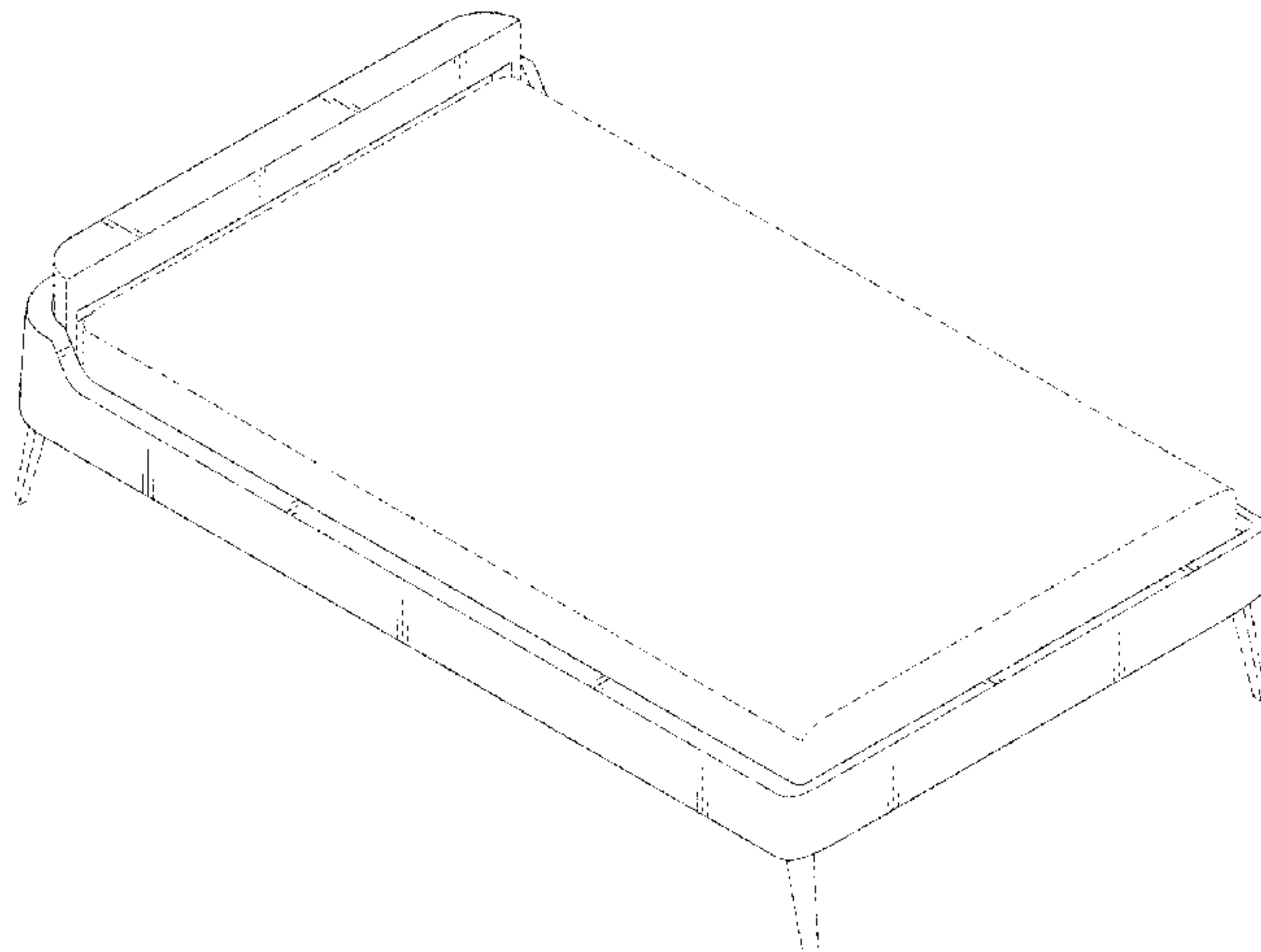
FIG. 21 is a left side view of FIG. 19;

FIG. 22 is a right side view of FIG. 19;

FIG. 23 is a top plan view of FIG. 19; and,

FIG. 24 is a bottom plan view of FIG. 19.

(Continued)



The broken lines depict portions of the sterilizing cleaner that form no part of the claimed design.

1 Claim, 24 Drawing Sheets

(58) Field of Classification Search

CPC B44D 3/00; A61L 2/07
See application file for complete search history.

(56) References Cited

U.S. PATENT DOCUMENTS

D295,074	S	*	4/1988	Jerge	D24/217
D295,075	S	*	4/1988	Jerge	D24/217
D306,065	S	*	2/1990	Williams	D24/217
D489,848	S	*	5/2004	Shepard, II	D32/1
D514,265	S	*	1/2006	Vaajakallio	D32/1
D542,930	S	*	5/2007	Shin	D24/217
D628,349	S	*	11/2010	Selby	D32/1
D657,611	S	*	4/2012	Bock	D7/354
D721,441	S	*	1/2015	Tipton	D24/217
D764,068	S	*	8/2016	Tipton	D24/217
D854,705	S	*	7/2019	Ouyang	D24/217
D862,815	S	*	10/2019	Kim	D32/1
D878,620	S	*	3/2020	Nathan	D24/217
D884,208	S	*	5/2020	Xie	D24/217
D885,603	S	*	5/2020	Zhang	D24/217
D893,740	S	*	8/2020	Ly	D24/217
D914,233	S	*	3/2021	Yi	D24/217
D914,234	S	*	3/2021	Yi	D24/217
D918,506	S	*	5/2021	Kim	D32/40
D919,610	S	*	5/2021	Li	D14/252
2019/0294603	A1	*	9/2019	Pedersen	G06F 1/181
2020/0345874	A1	*	11/2020	Barr, III	A61L 2/22

* cited by examiner

FIG. 1

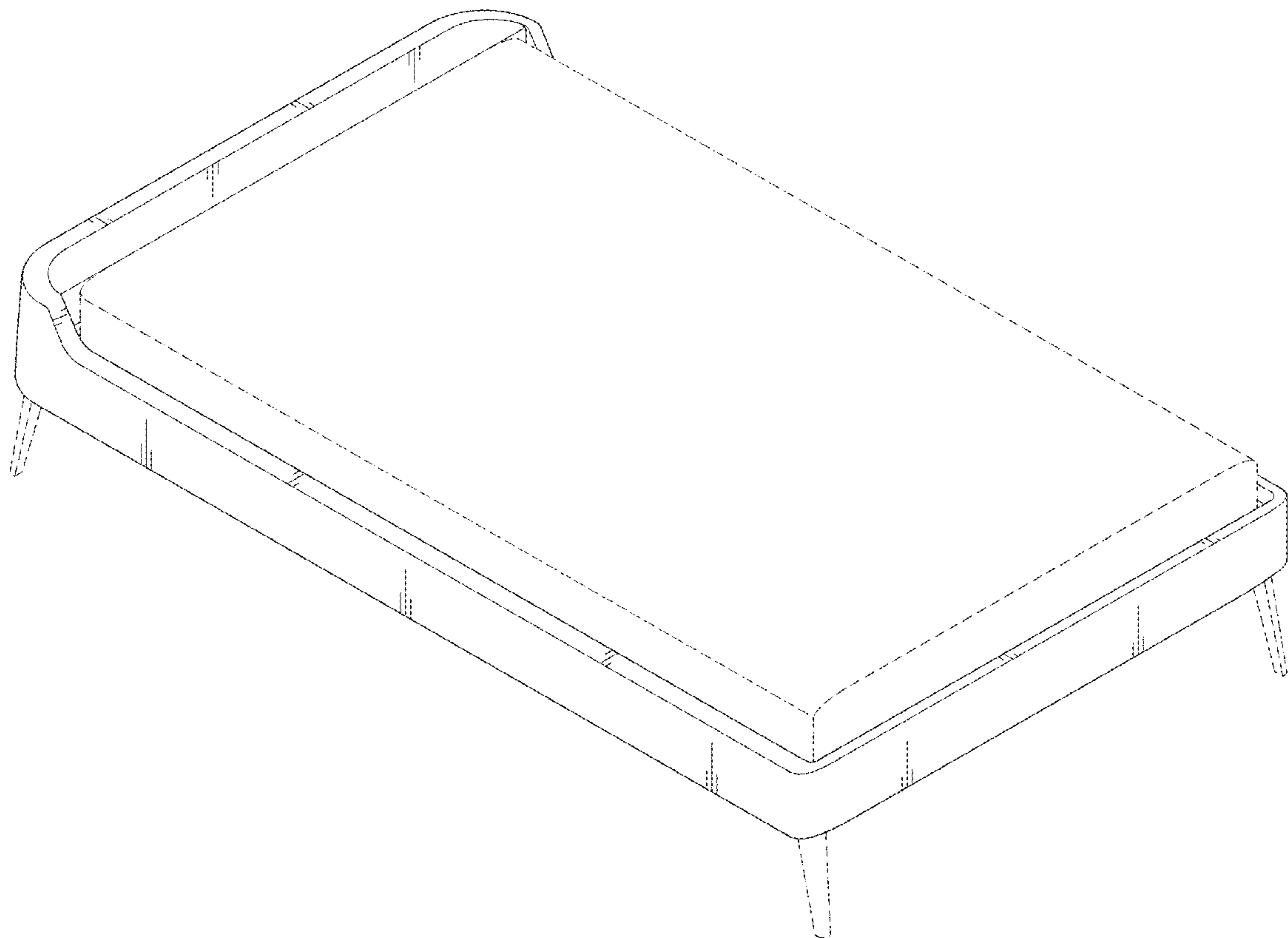


FIG. 2

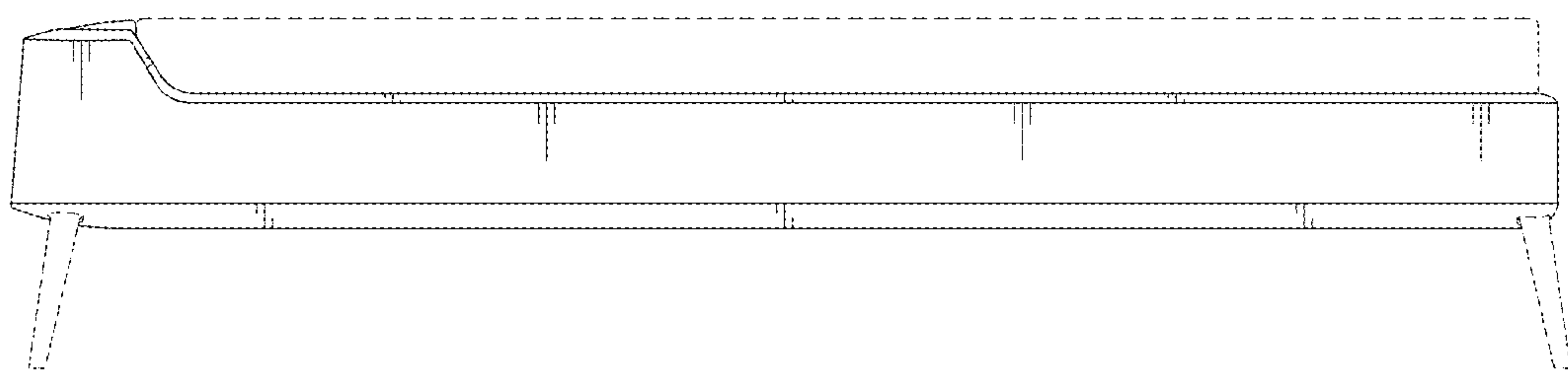


FIG. 3

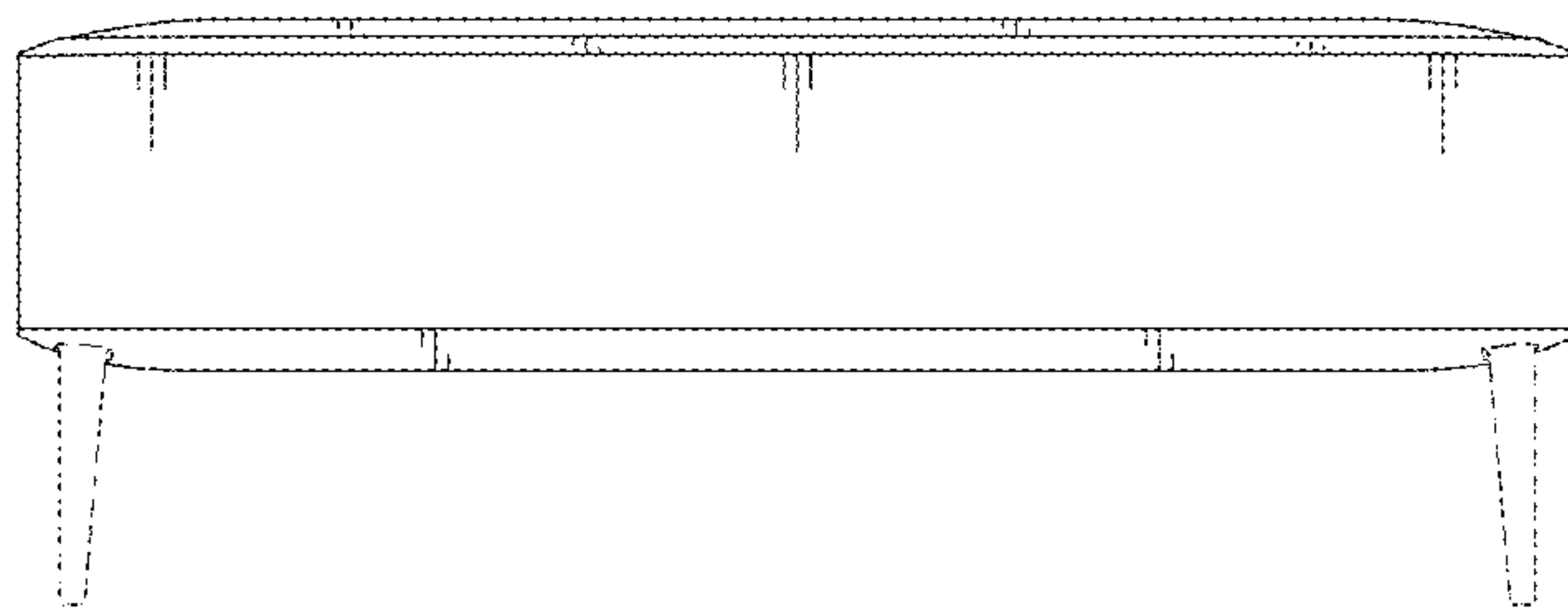


FIG. 4

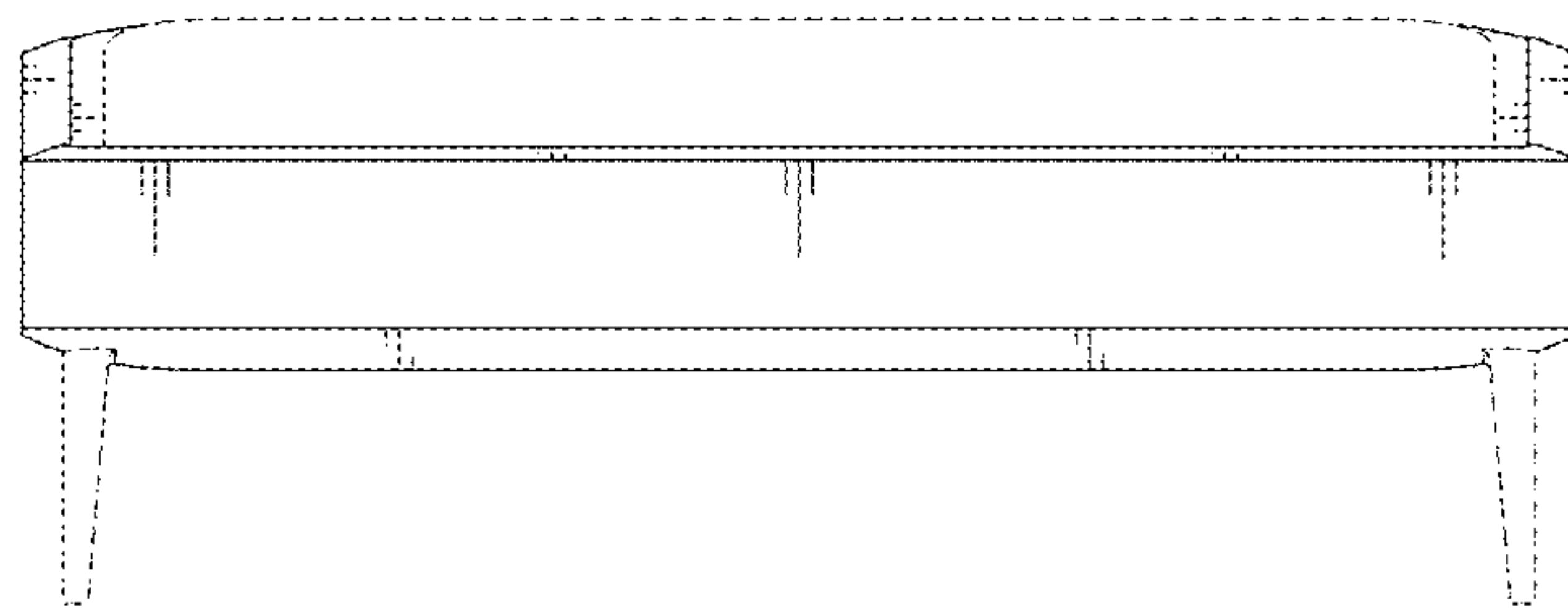


FIG. 5

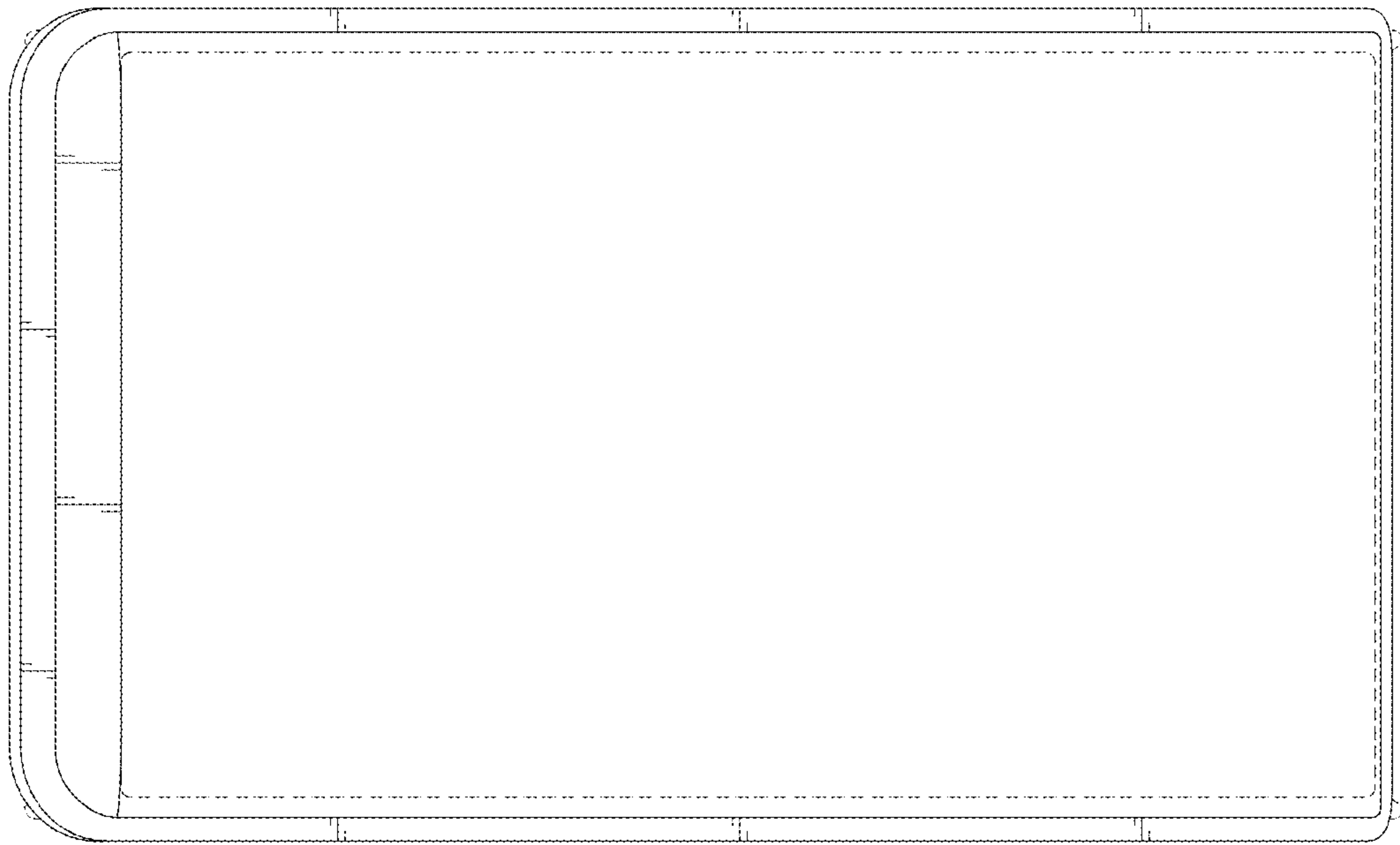


FIG. 6

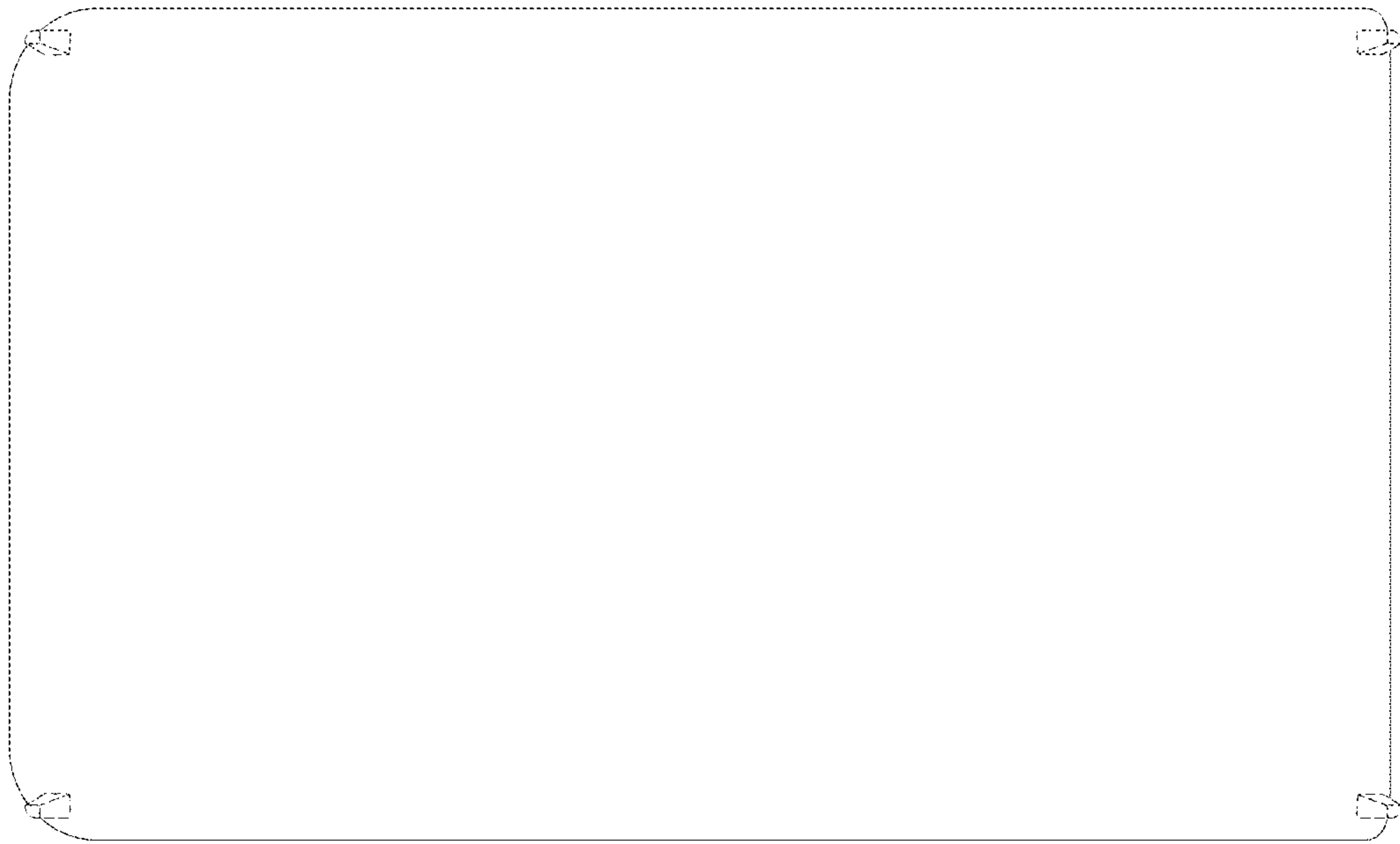


FIG. 7

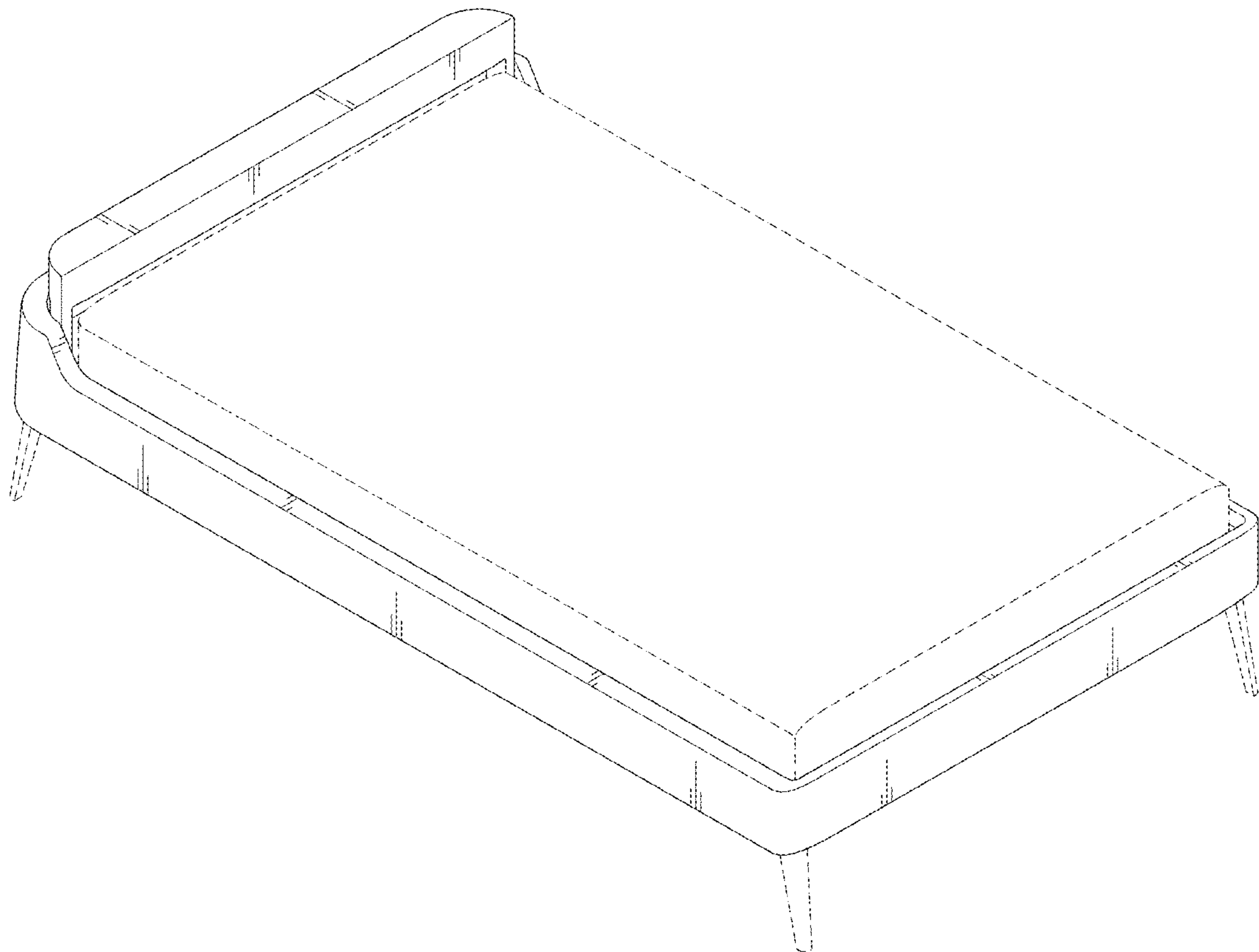


FIG. 8

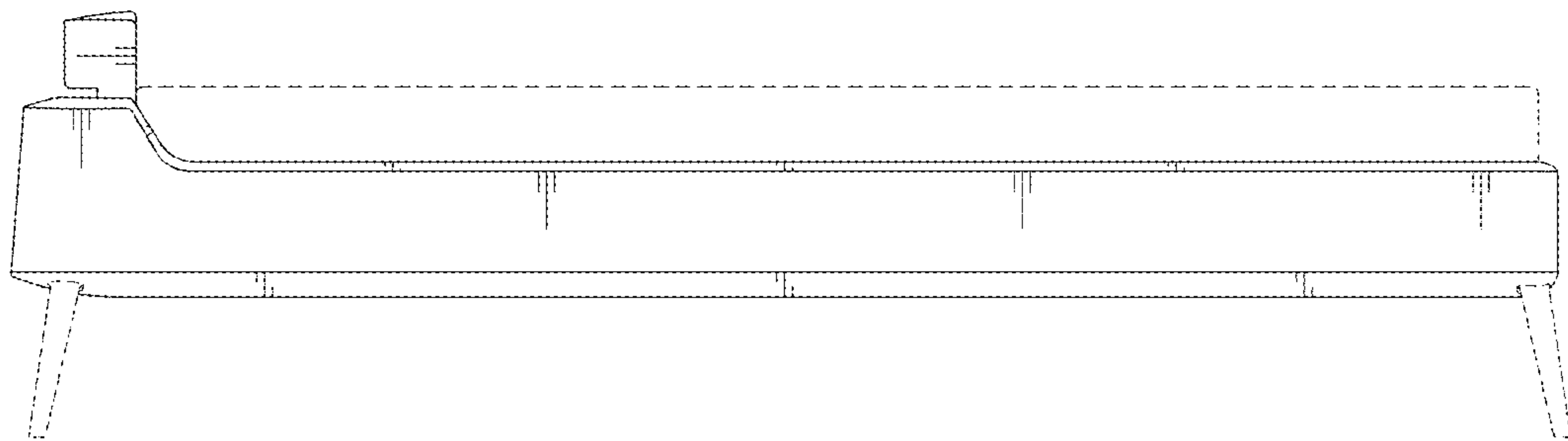


FIG. 9

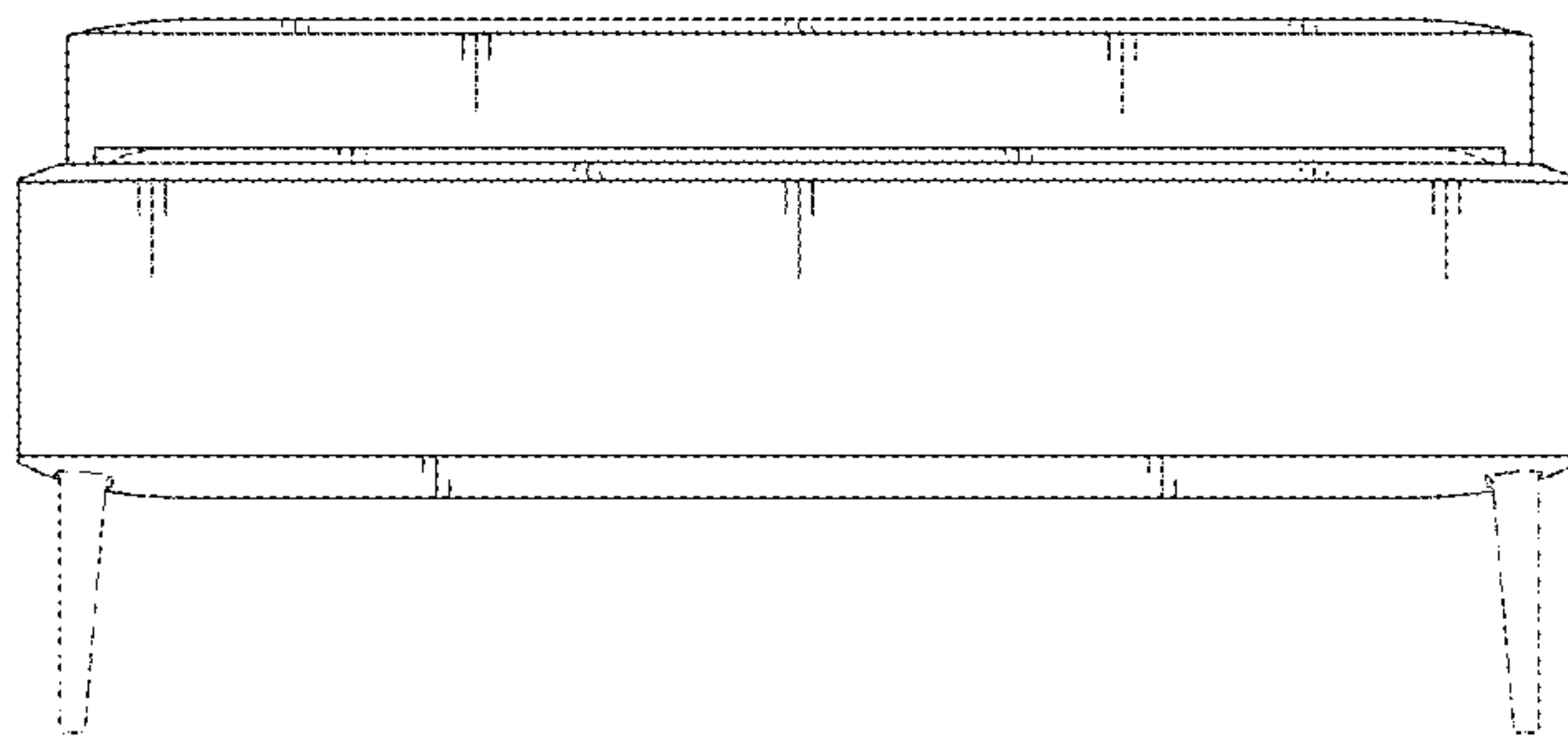


FIG. 10

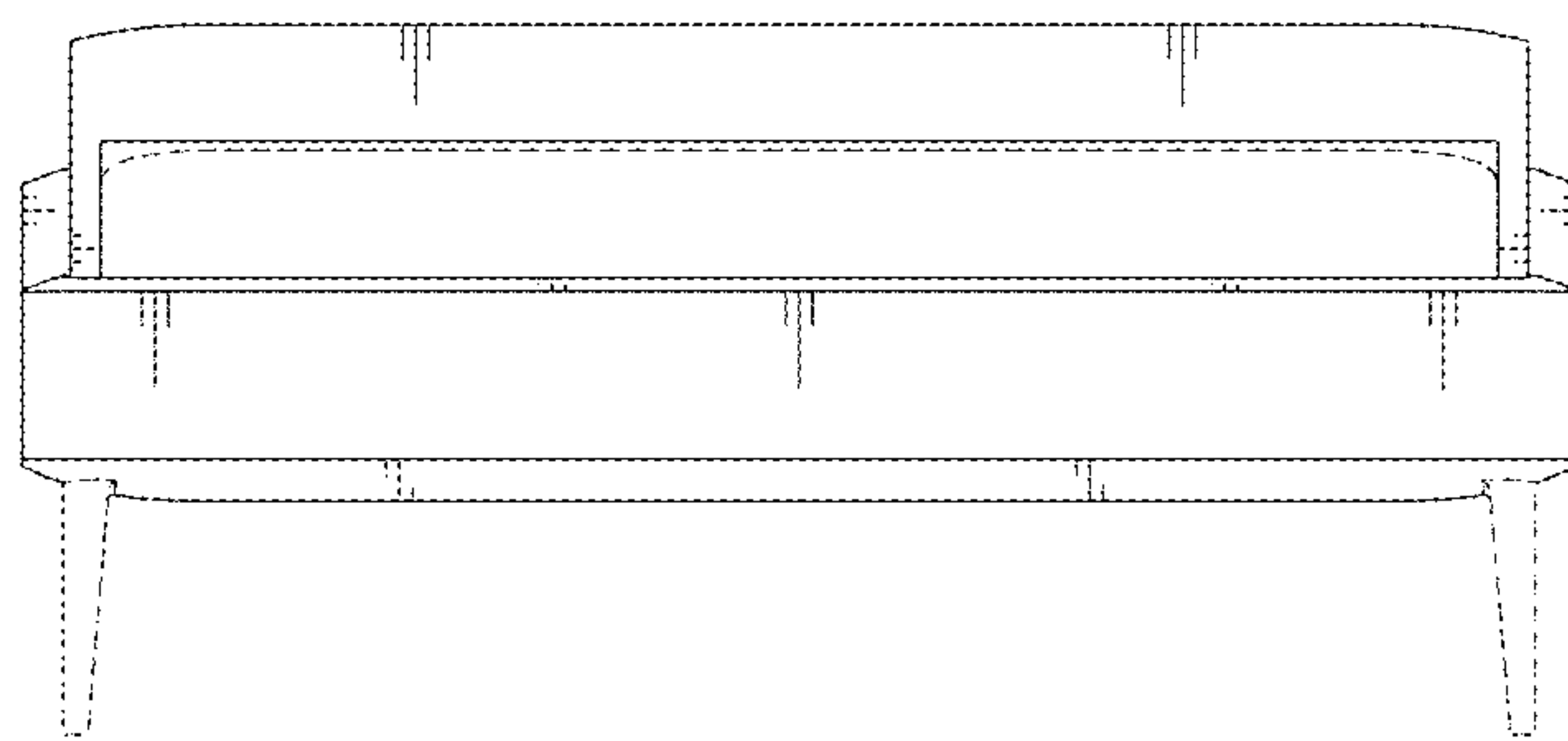


FIG. 11

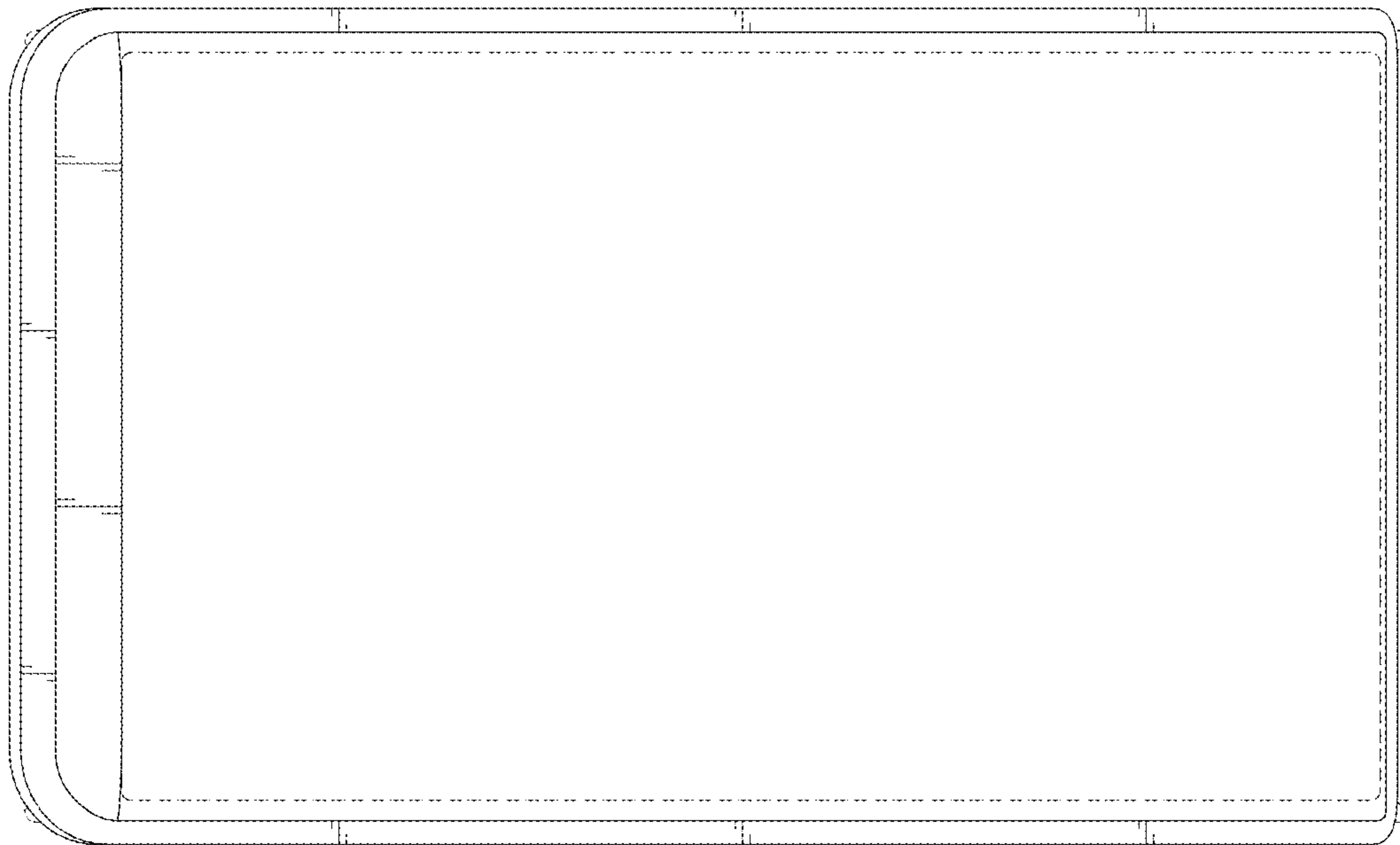


FIG. 12

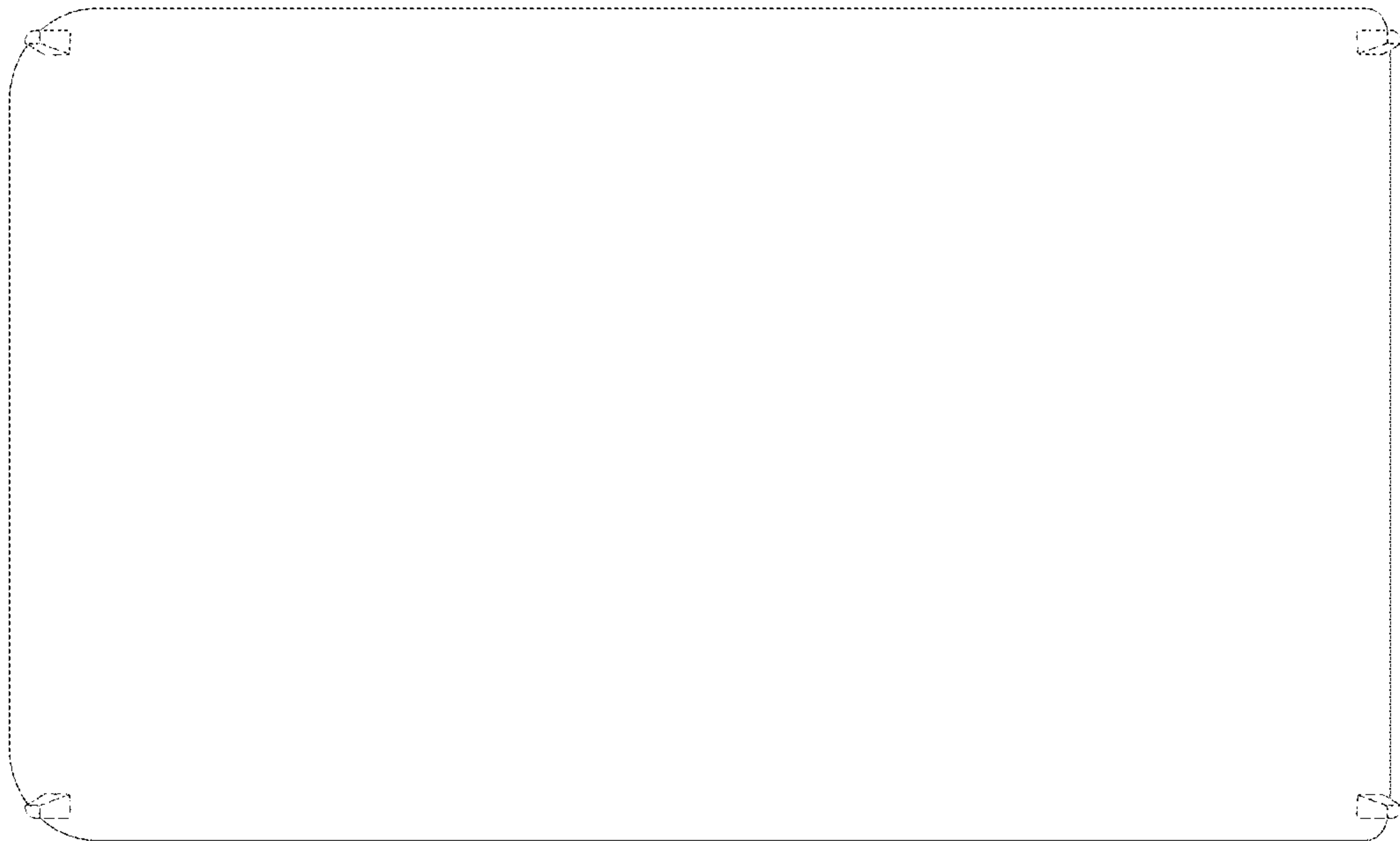


FIG. 13

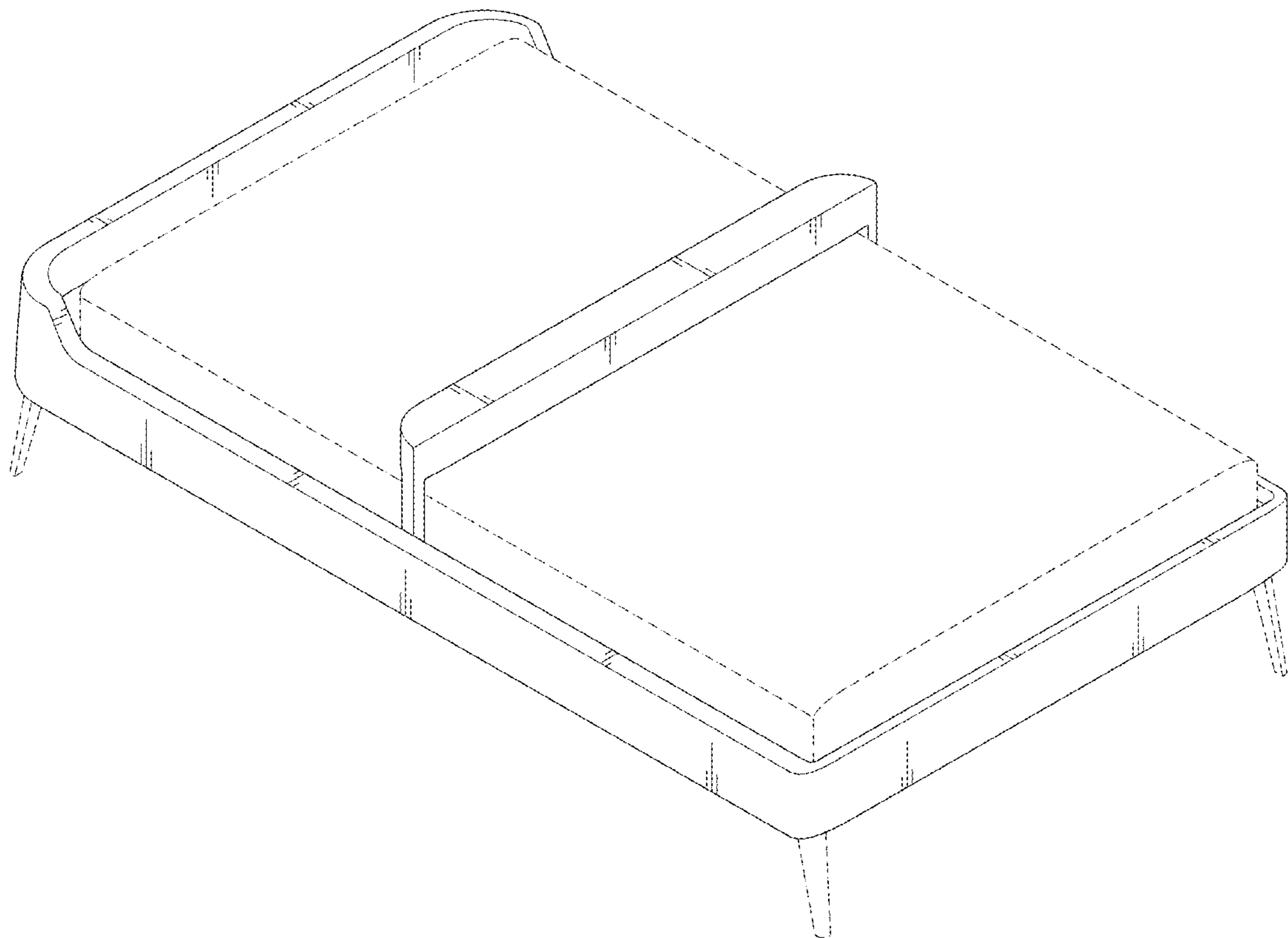


FIG. 14

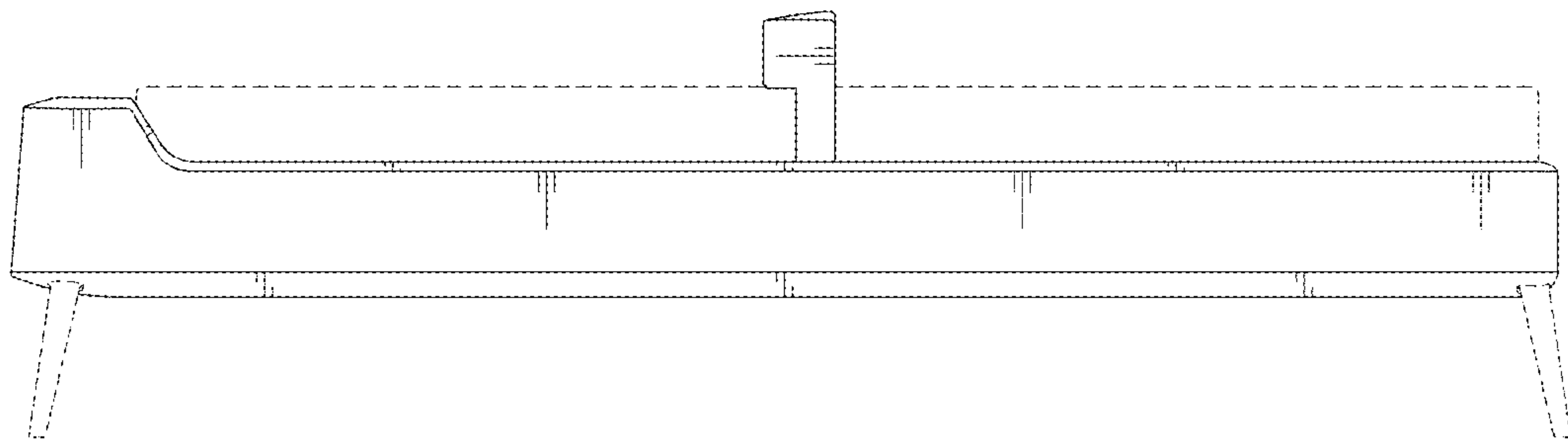


FIG. 15

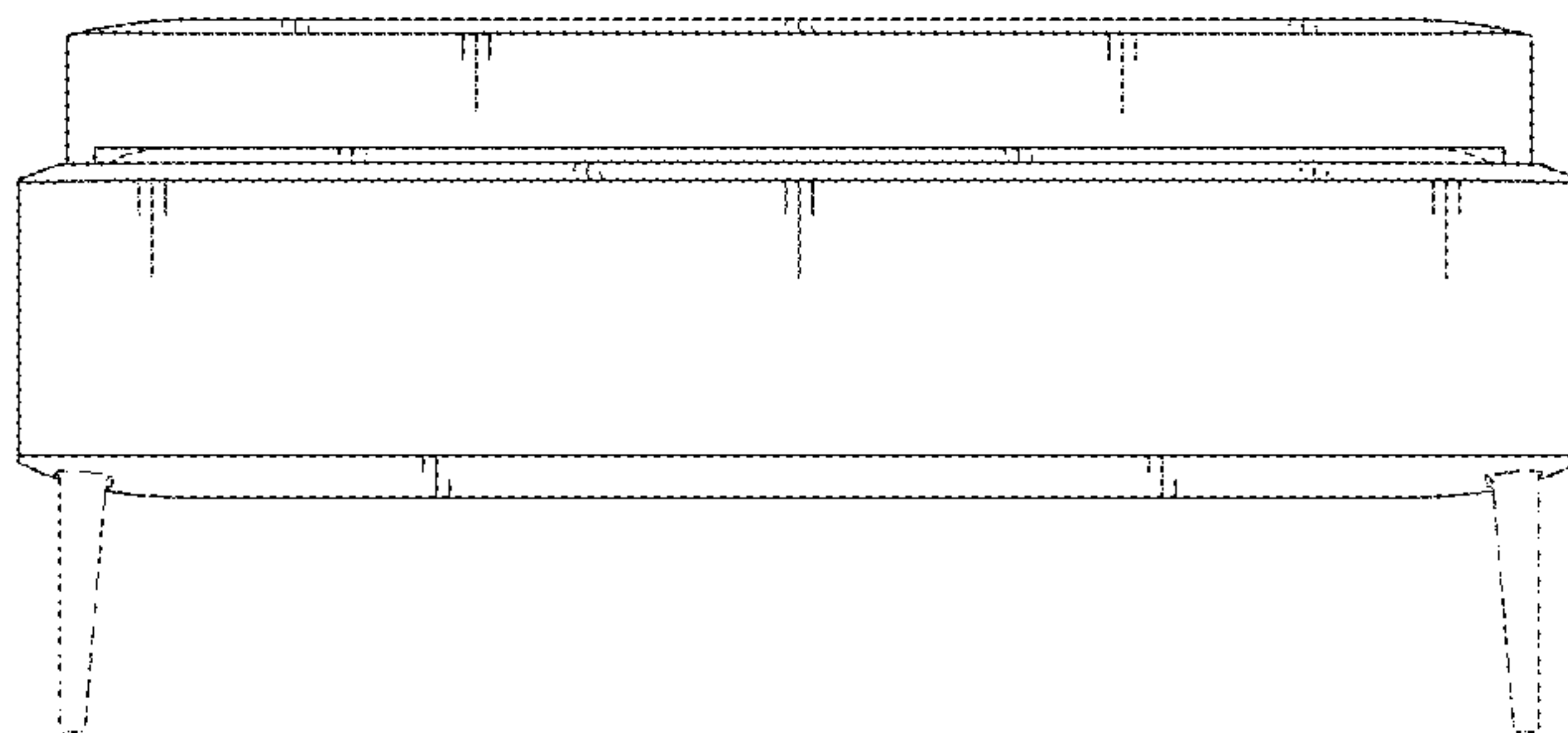


FIG. 16

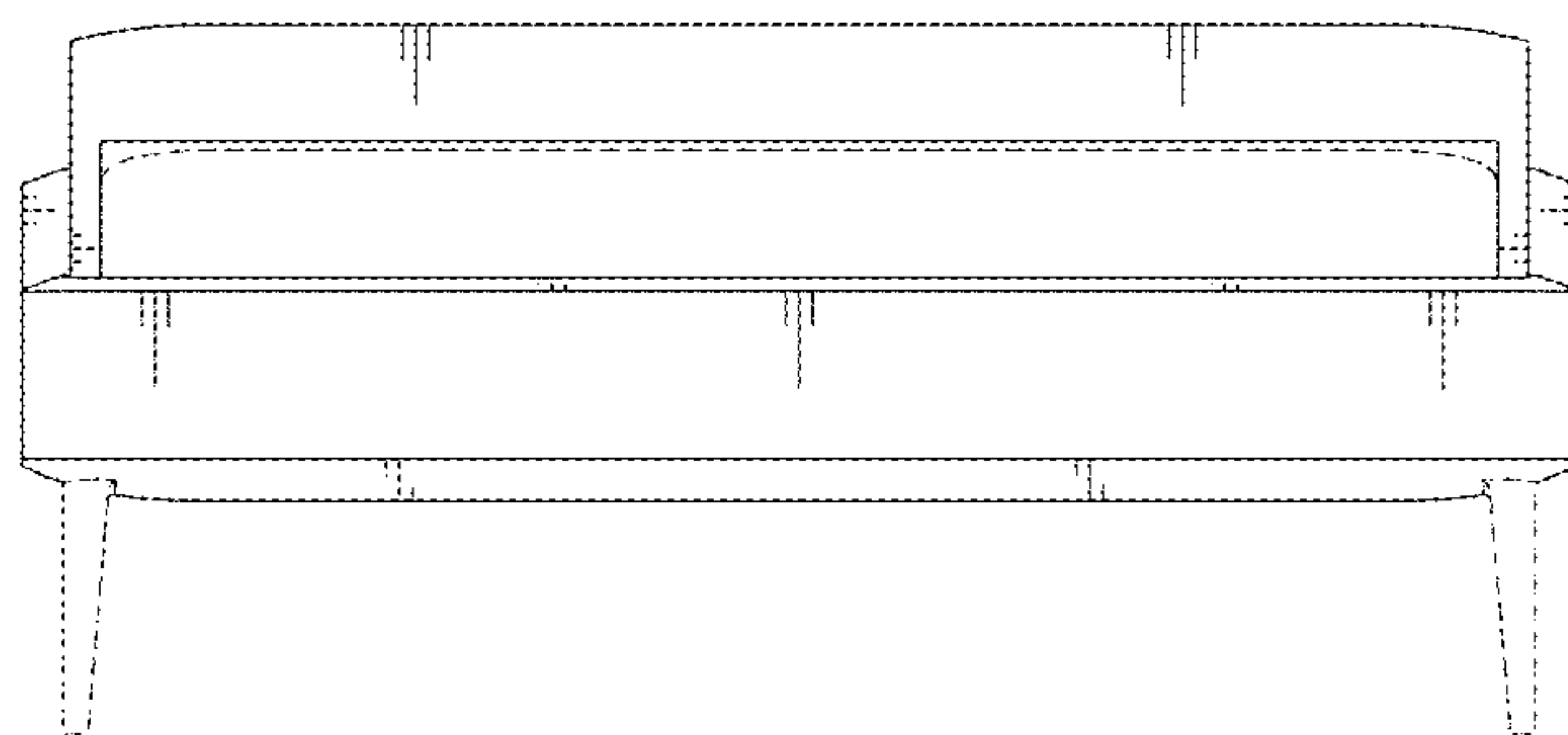


FIG. 17

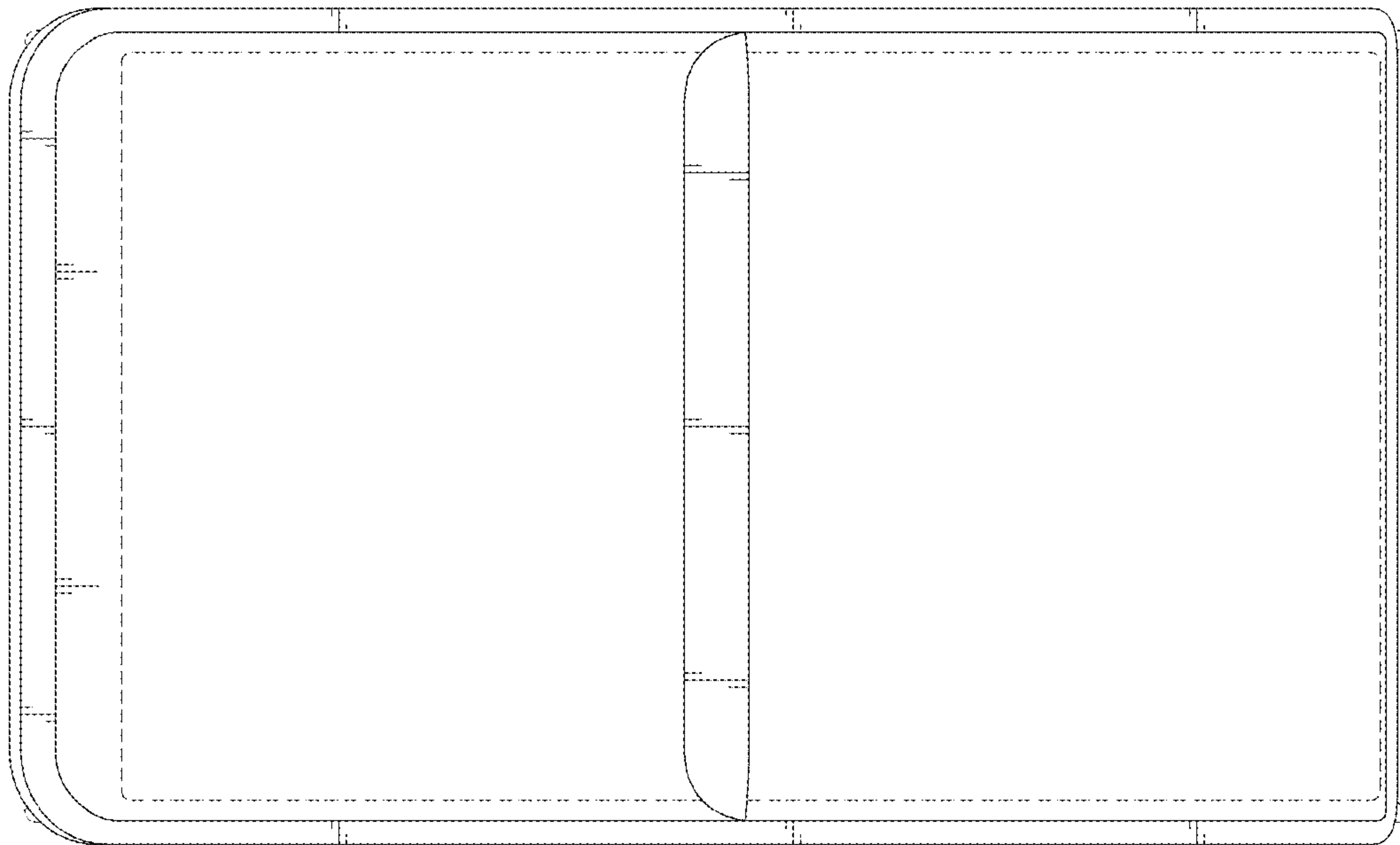


FIG. 18

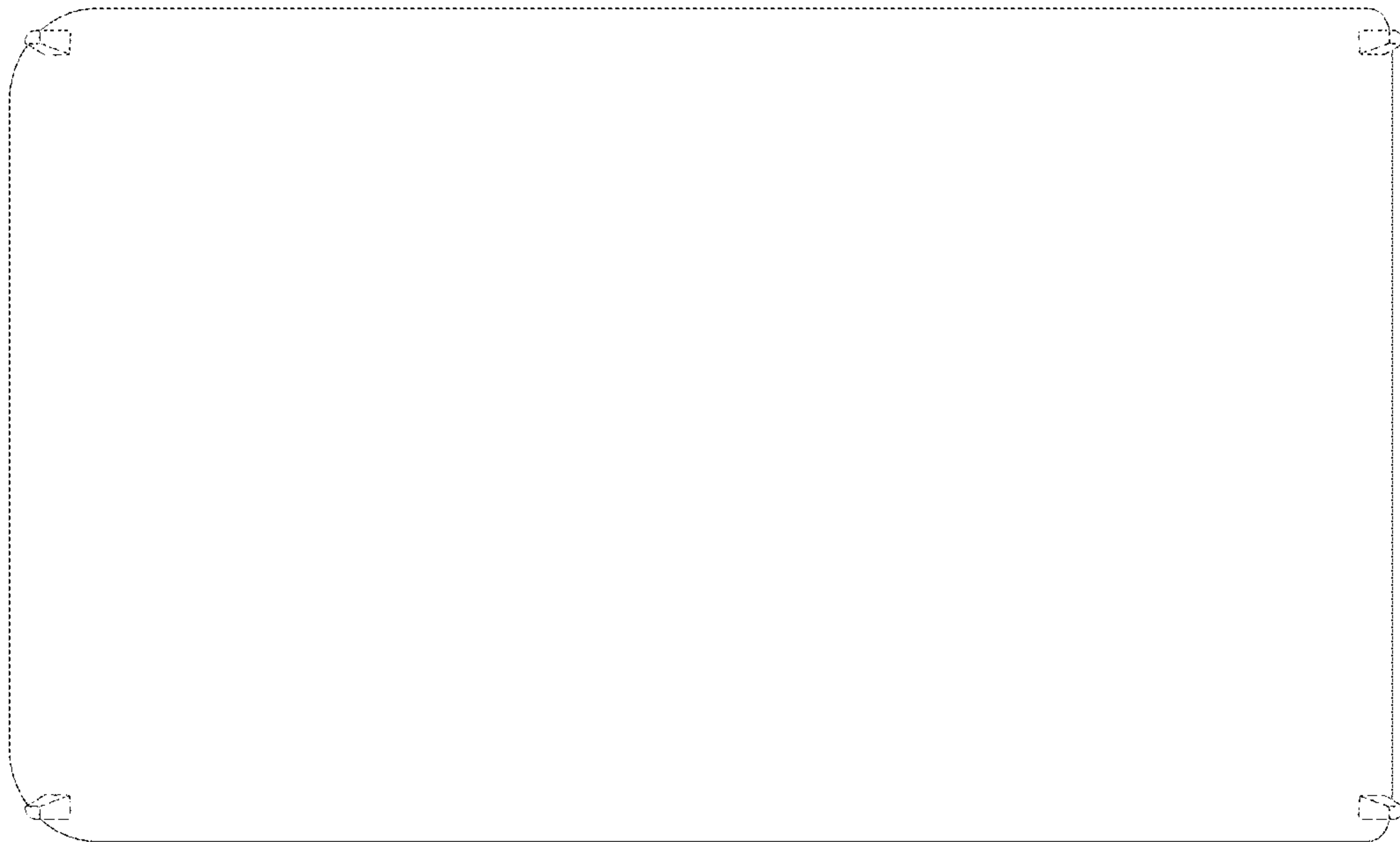


FIG. 19

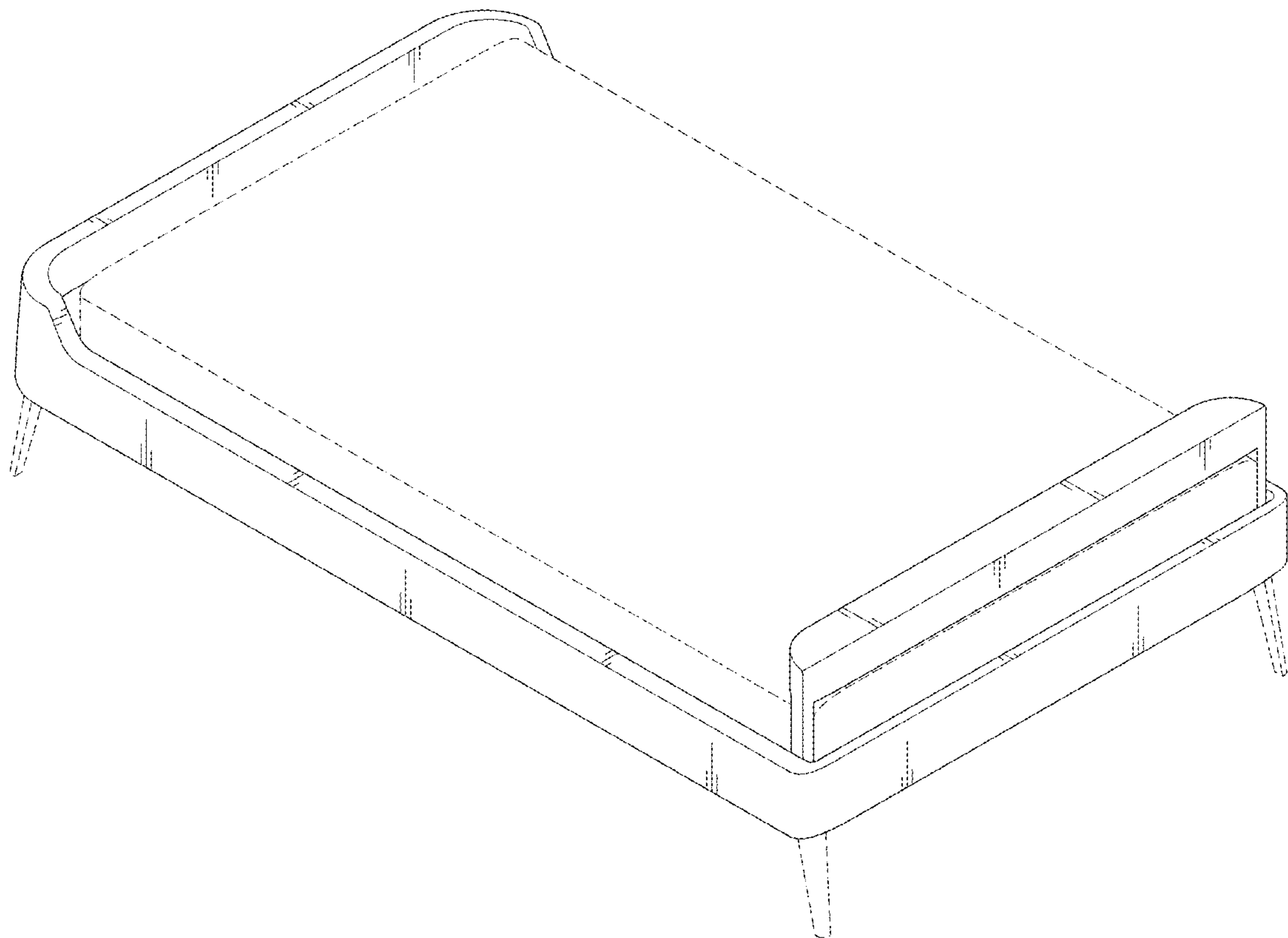


FIG. 20

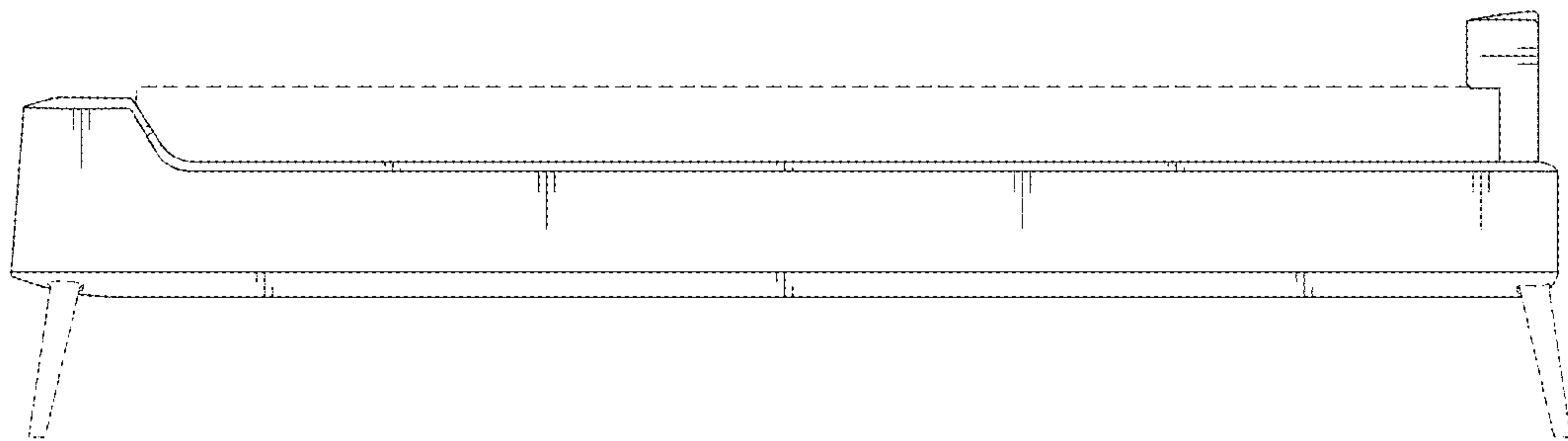


FIG. 21

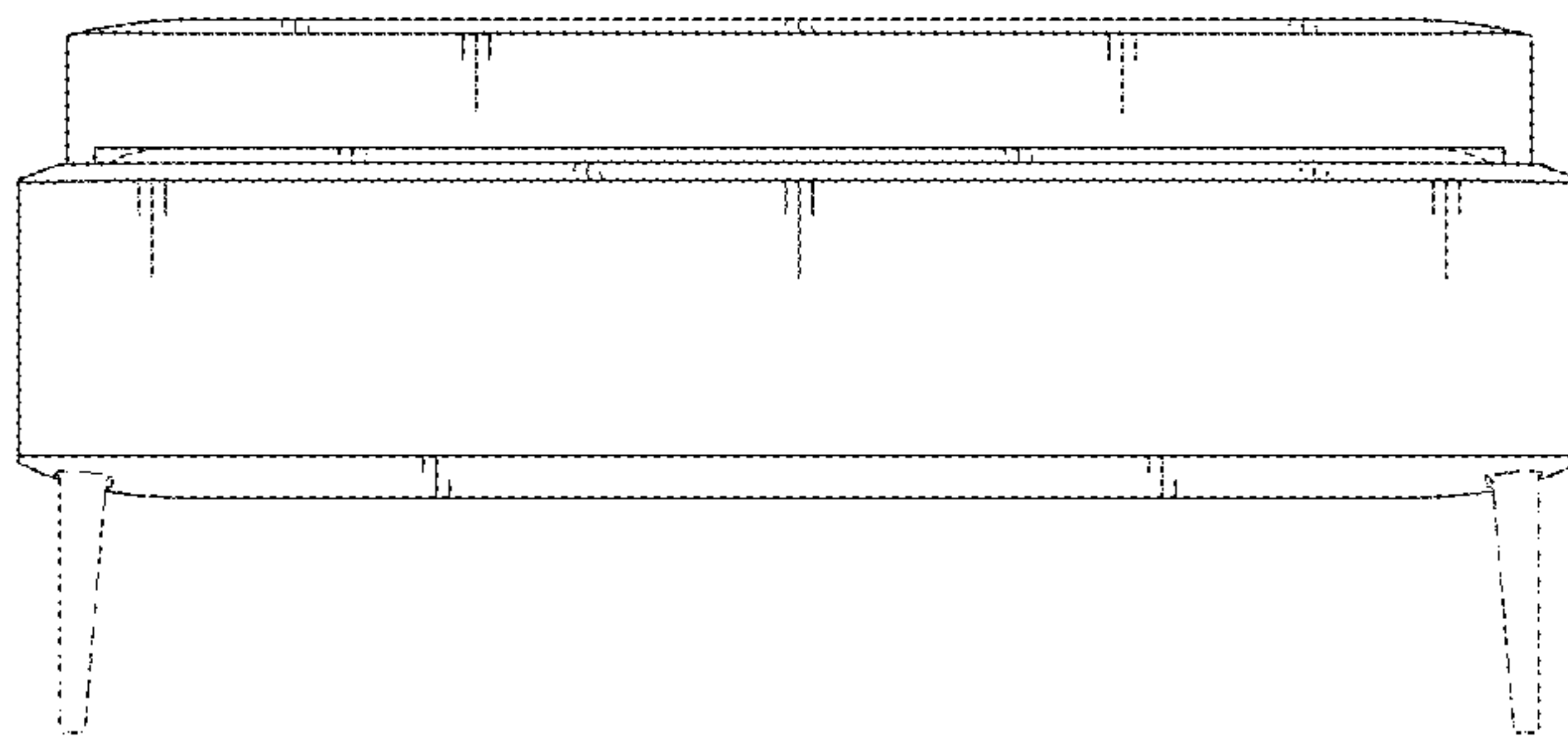


FIG. 22

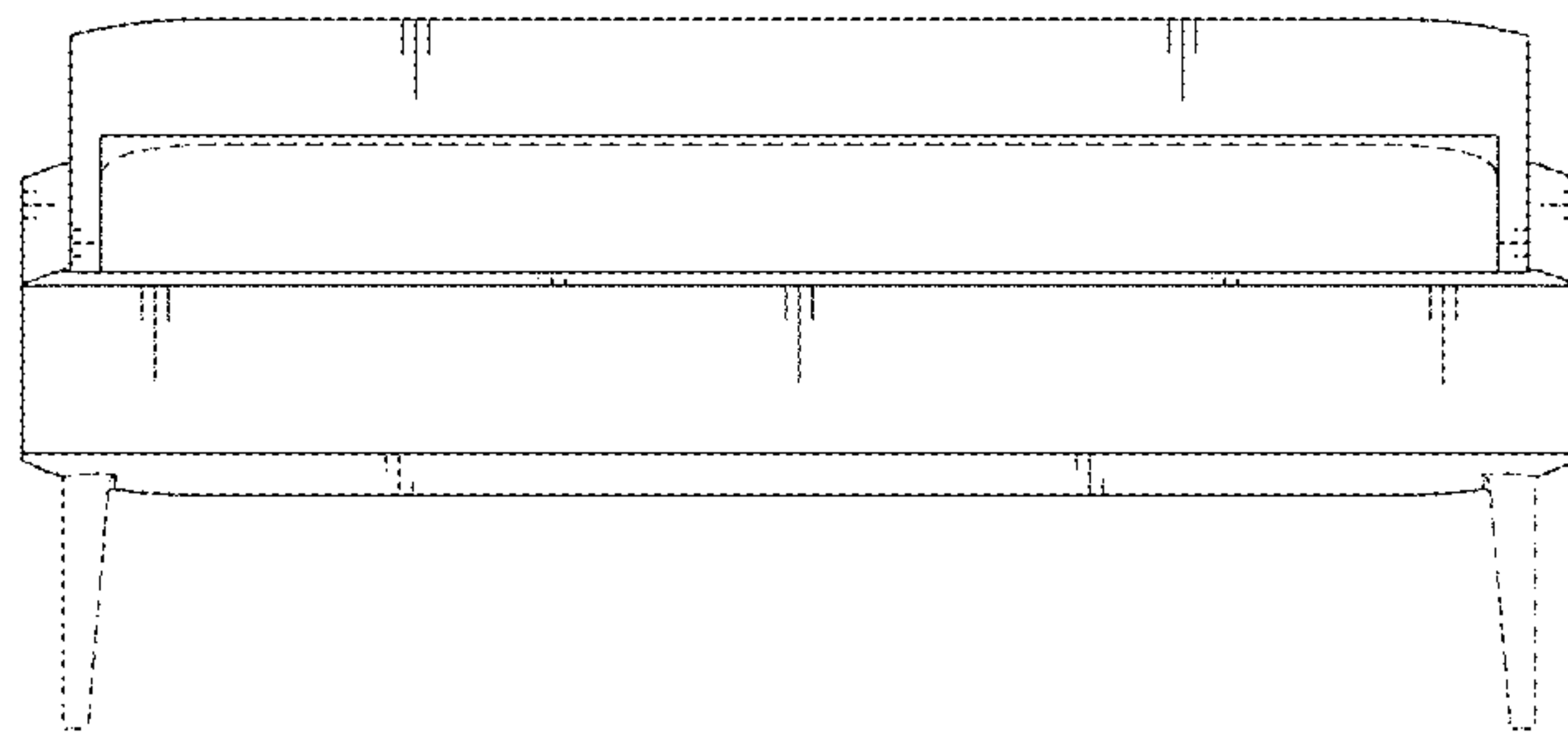


FIG. 23

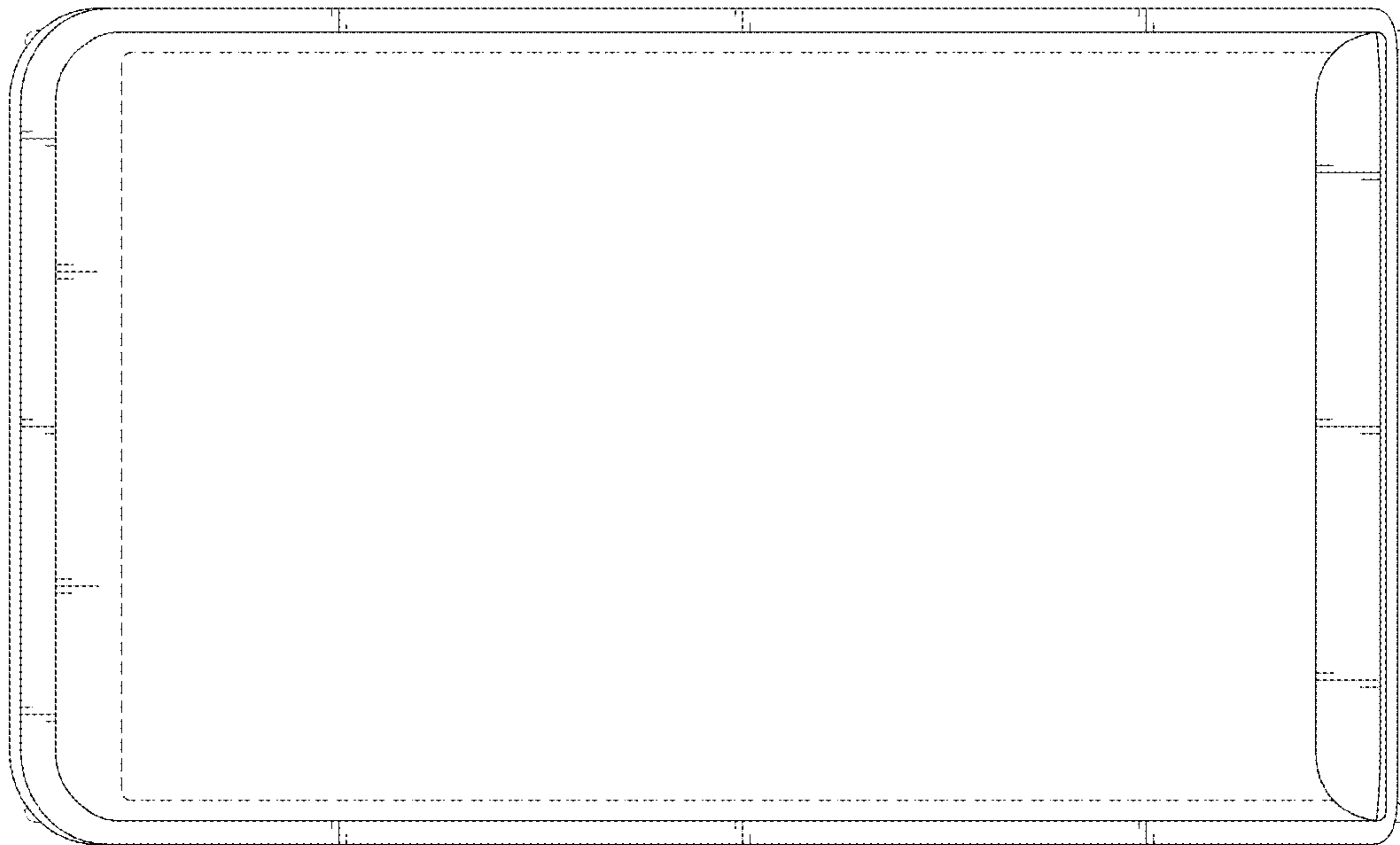


FIG. 24

