

US00D932115S

(12) **United States Design Patent** (10) **Patent No.:** **US D932,115 S**
Toolan et al. (45) **Date of Patent:** **** Sep. 28, 2021**

- (54) **PET CHEW TOY**
- (71) Applicant: **Benebone LLC**, Westport, CT (US)
- (72) Inventors: **Peter Toolan**, Westport, CT (US); **Evan L. Ryan**, Chicago, IL (US)
- (73) Assignee: **Benebone LLC**, Westport, CT (US)
- (**) Term: **15 Years**
- (21) Appl. No.: **29/778,480**
- (22) Filed: **Apr. 13, 2021**

D274,649 S *	7/1984	Shiu	D24/212
D317,373 S *	6/1991	Turner	446/255
D668,002 S *	9/2012	Mulligan	D30/160
D689,155 S *	9/2013	Jahns	D21/692
D760,451 S *	6/2016	Harvey	D30/160
D805,207 S *	12/2017	Ruffin	D24/187
D840,610 S *	2/2019	Toolan	D30/160
D856,612 S *	8/2019	SteinKraus	D30/160
D858,911 S *	9/2019	Becattini, Jr.	D30/160
10,448,615 B1 *	10/2019	Mullin	A01K 15/026
D872,387 S *	1/2020	Crane	D30/160
D873,509 S *	1/2020	Steinkraus	D30/160
D894,503 S *	8/2020	Toolan	D30/160
10,888,069 B2 *	1/2021	Becattini, Jr.	A01K 15/026
2018/0271062 A1 *	9/2018	Toolan	A01K 15/026

Related U.S. Application Data

- (62) Division of application No. 29/740,920, filed on Jul. 8, 2020, which is a division of application No. 29/622,395, filed on Oct. 17, 2017, now Pat. No. Des. 894,503.

(51) **LOC (13) Cl.** **30-99**

(52) **U.S. Cl.**
USPC **D30/160**

(58) **Field of Classification Search**
 USPC D21/398, 400, 402, 412, 415, 426, 436,
 D21/439, 440, 441, 443, 455, 460-462,
 D21/466-468, 479, 495, 563, 656, 712,
 D21/713, 788, 799.1, 470, 681, 386, 484,
 D21/707, 408, 437, 673, 678, 679, 682;
 D24/211, 212, 214, 215, 193-195;
 D30/160, 112, 119; D1/125-127, 120,
 D1/101, 104, 106, 199, 108, 115
 CPC A01K 15/026; A23G 3/563; A23K 40/25;
 A23K 50/40
 See application file for complete search history.

(56) **References Cited**
U.S. PATENT DOCUMENTS

D256,503 S *	8/1980	Moustakas	D24/212
4,378,007 A *	3/1983	Kachadourian	A61H 15/00 482/79

* cited by examiner

Primary Examiner — Sheryl Lane
Assistant Examiner — Aula Soroush
 (74) *Attorney, Agent, or Firm* — Zollinger & Burleson Ltd.

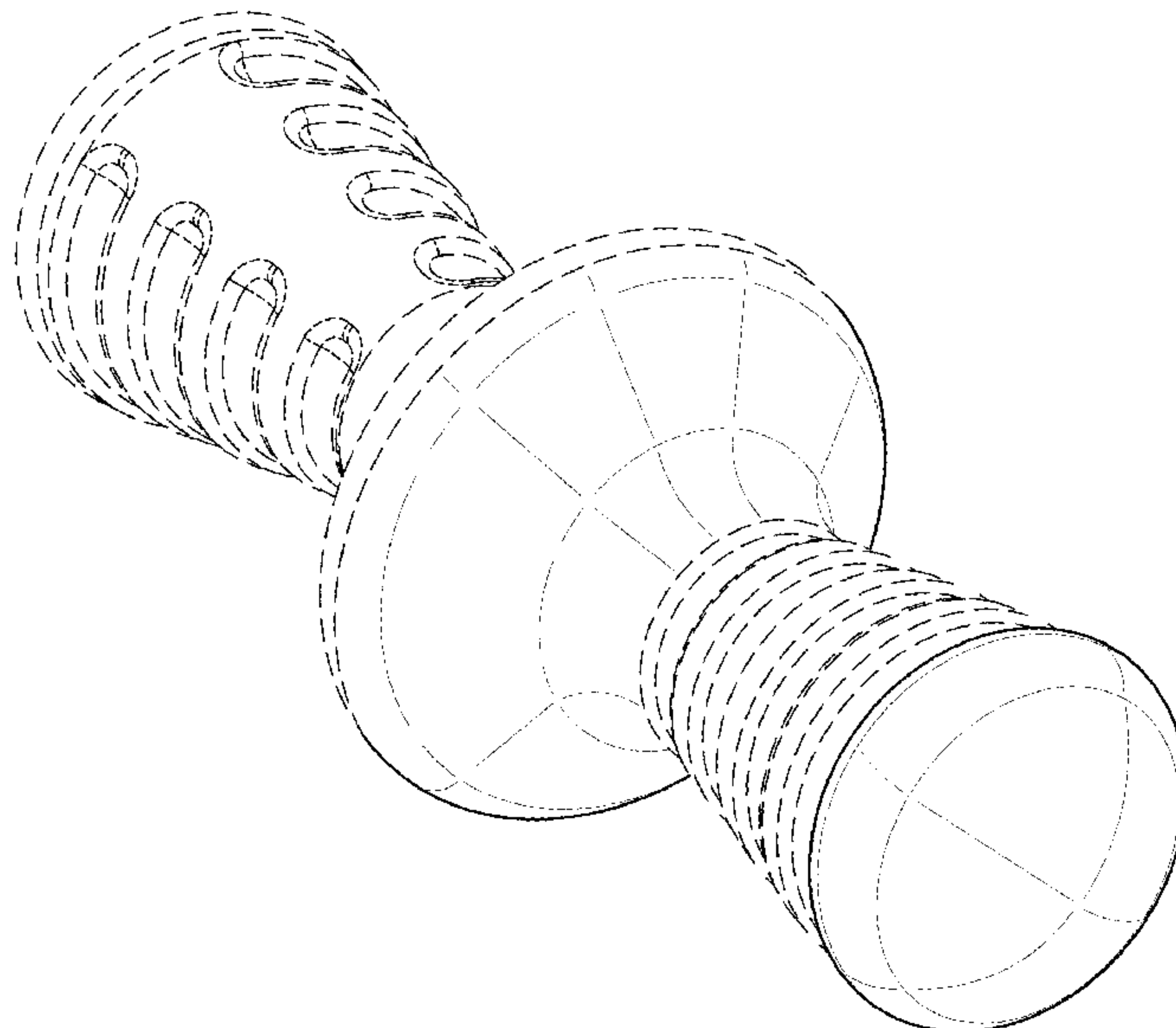
(57) **CLAIM**

The ornamental design for a pet chew toy, as shown and described.

DESCRIPTION

FIG. 1 is an upper front right perspective view of a pet chew toy showing our new design.
 FIG. 2 is an upper rear right perspective view thereof.
 FIG. 3 is a front elevation view thereof.
 FIG. 4 is a rear elevation view thereof.
 FIG. 5 is a top plan view of thereof.
 FIG. 6 is a bottom plan view thereof; and,
 FIG. 7 is a right side elevation view thereof.
 The features depicted in broken lines form no part of the claimed invention.

1 Claim, 4 Drawing Sheets



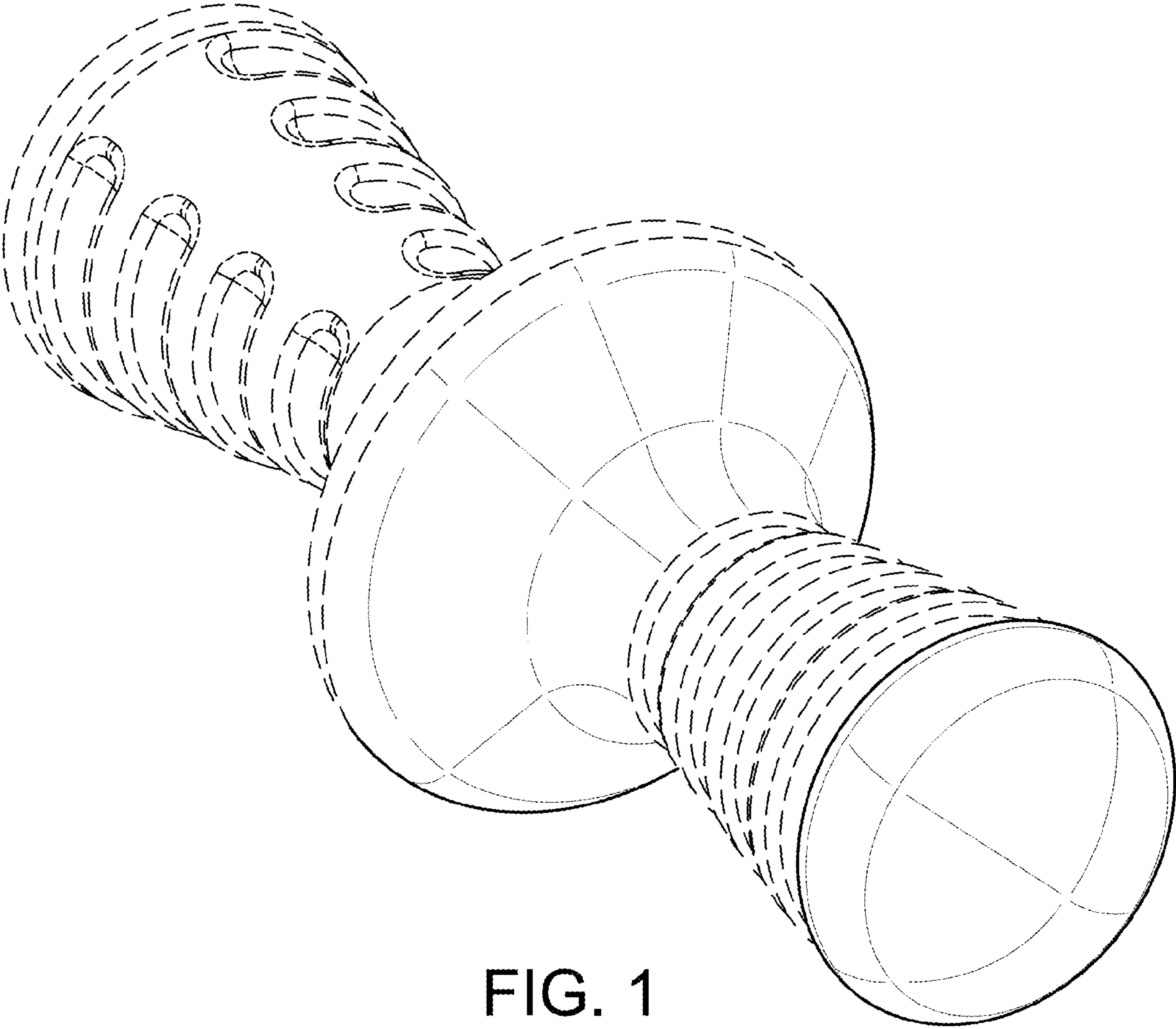


FIG. 1

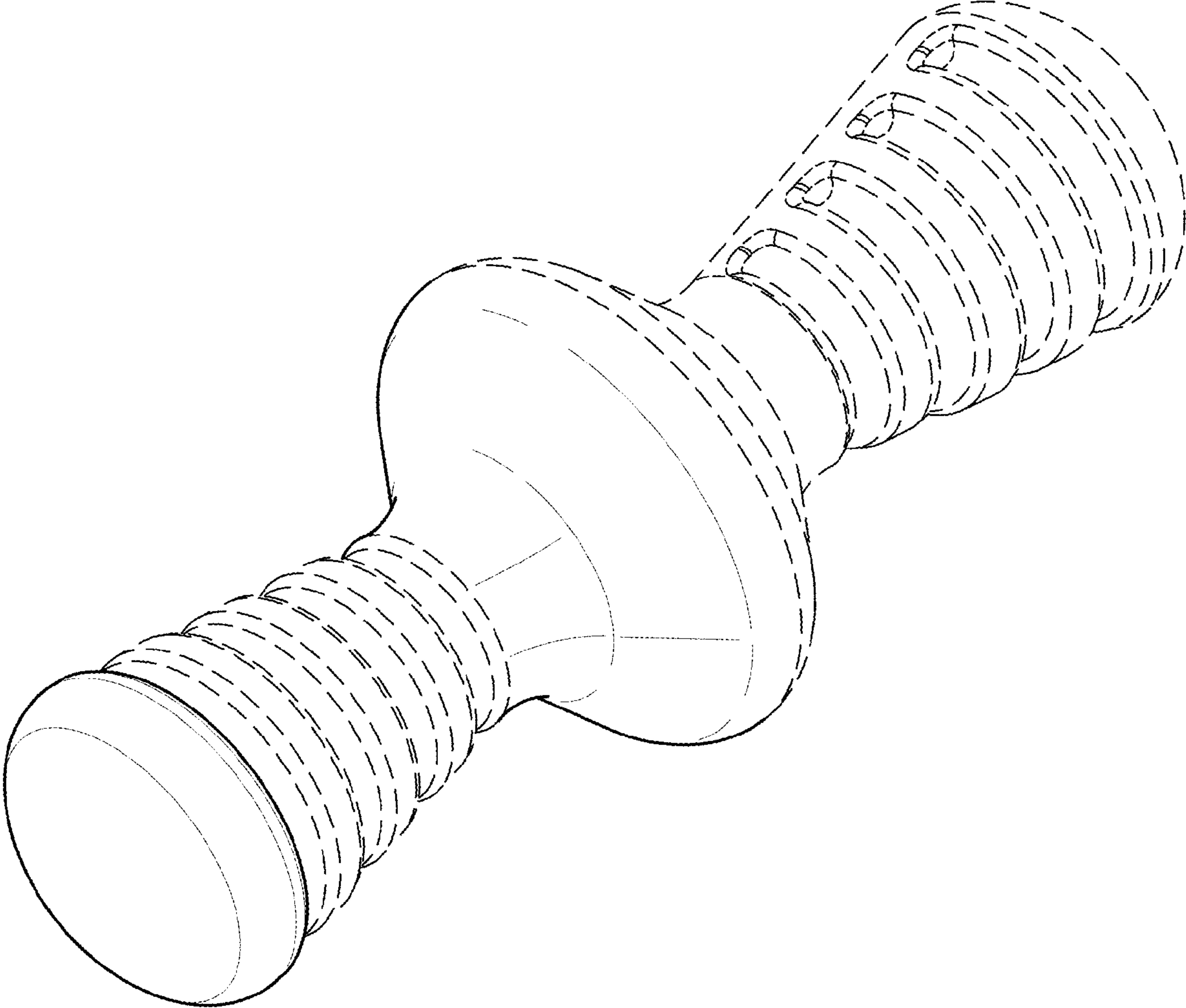


FIG. 2

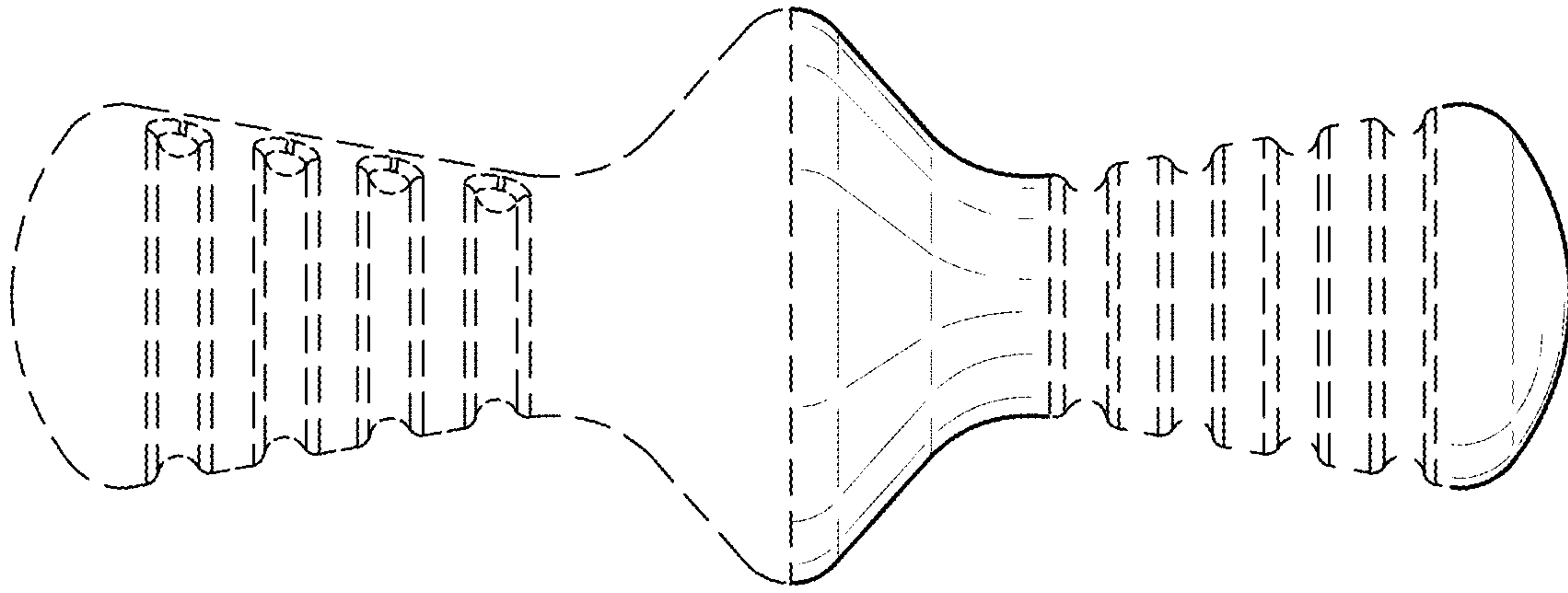


FIG. 3

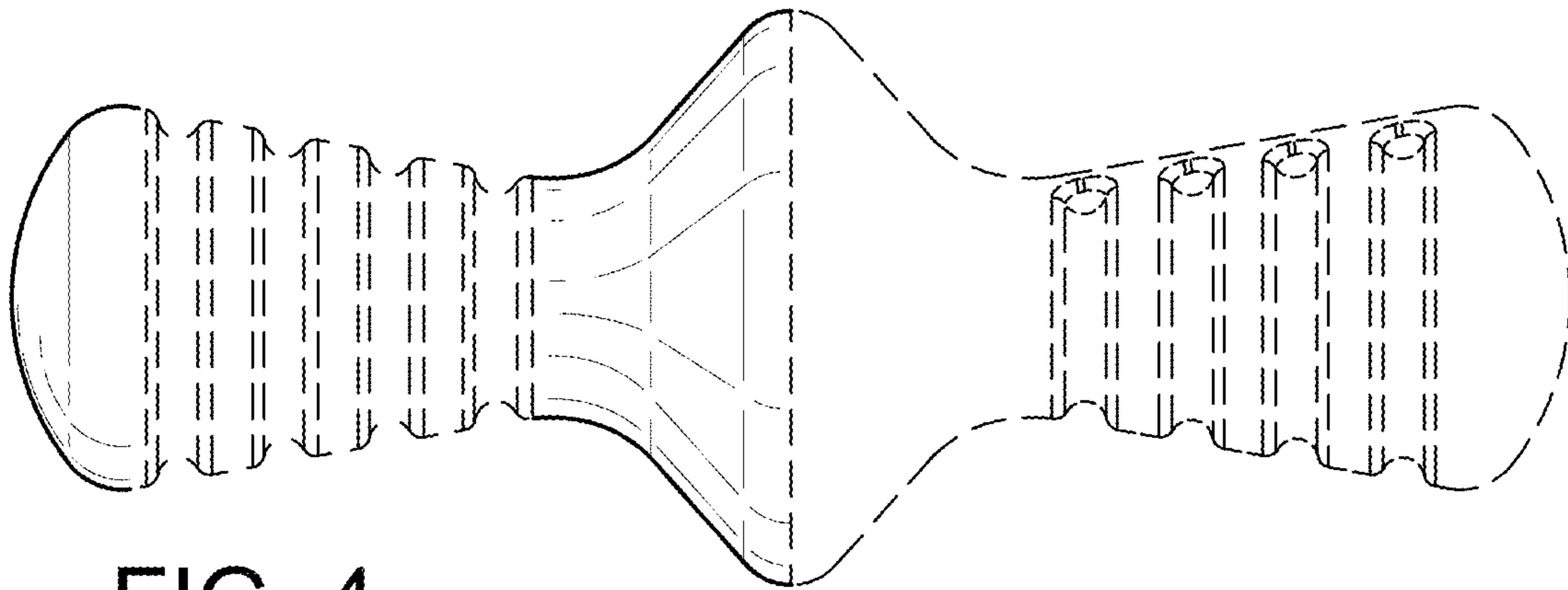


FIG. 4

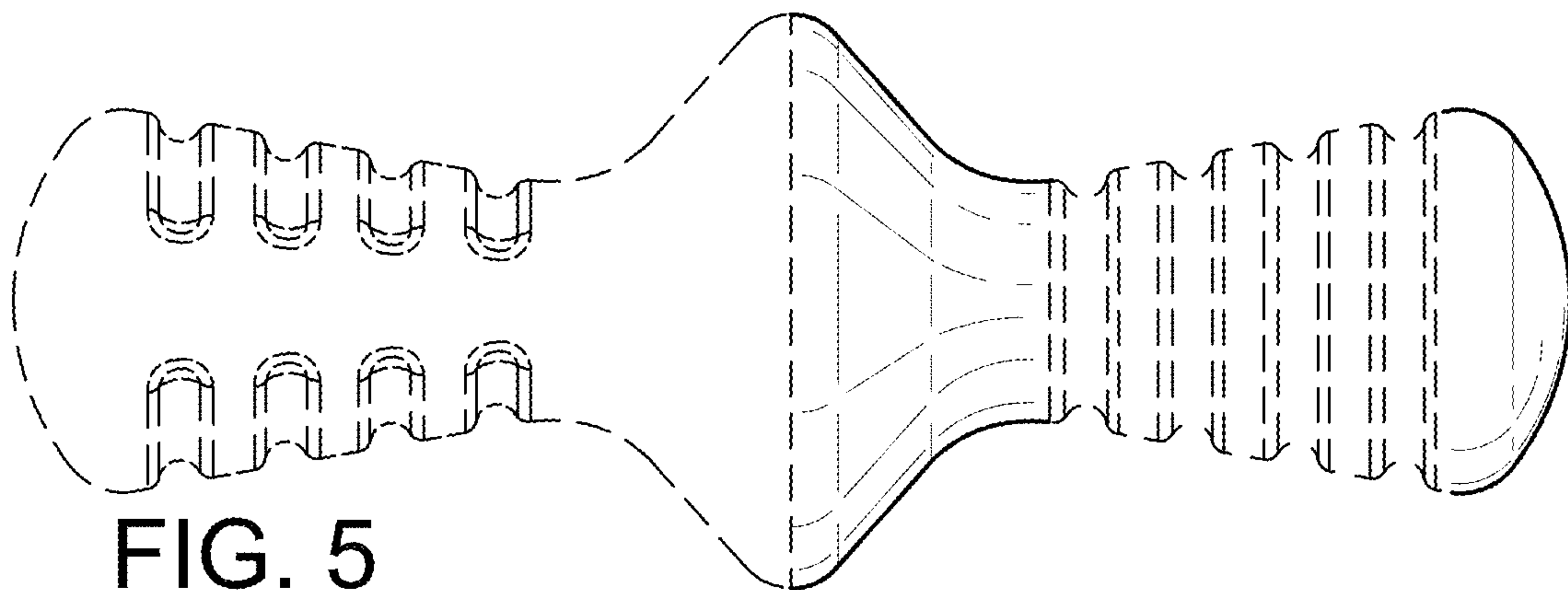


FIG. 5

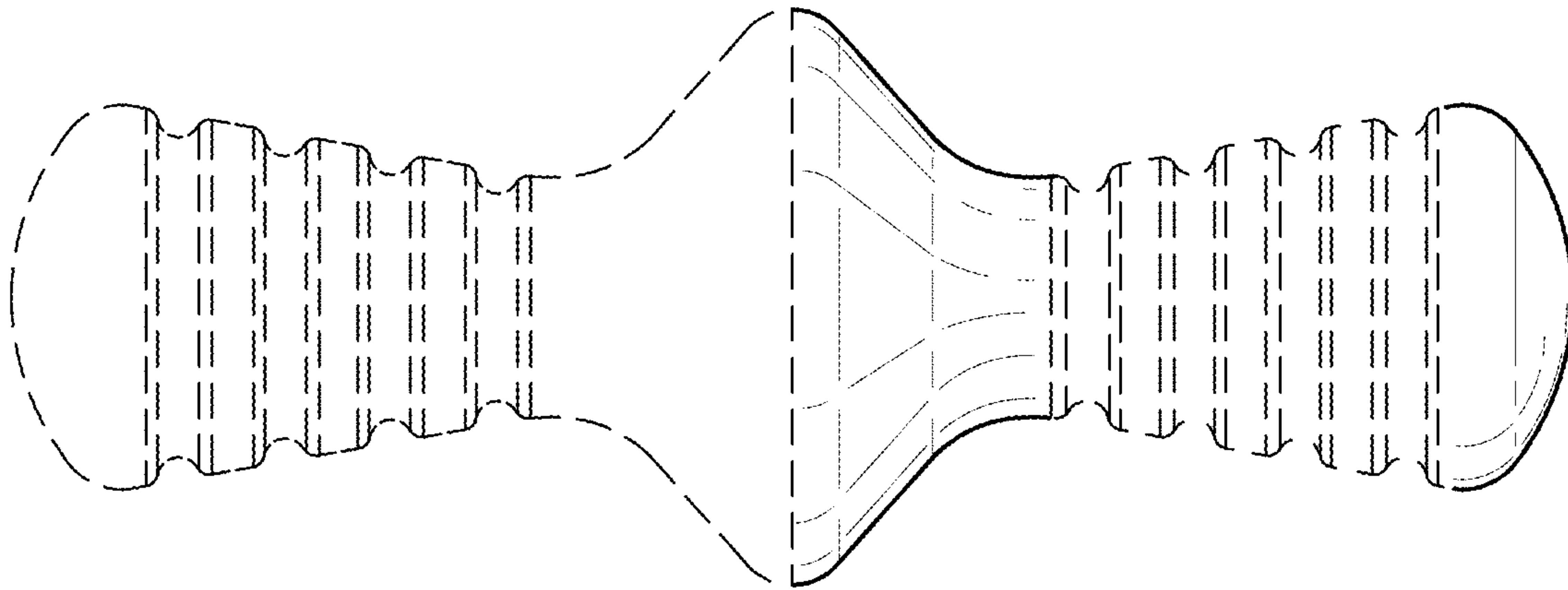


FIG. 6

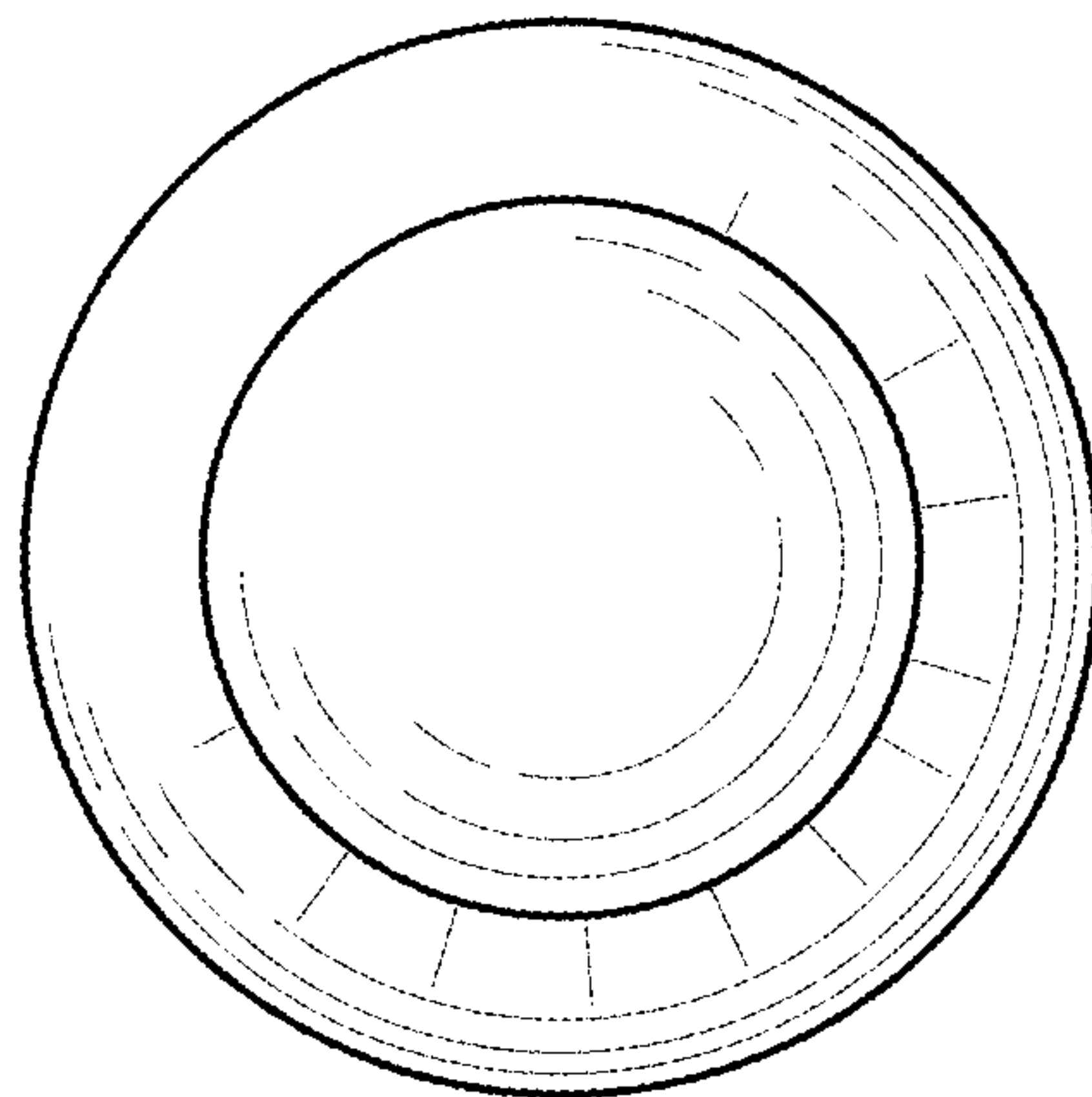


FIG. 7