



US00D932114S

(12) **United States Design Patent** (10) **Patent No.:** **US D932,114 S**
Toolan et al. (45) **Date of Patent:** **** Sep. 28, 2021**

(54) **PET CHEW TOY**

(56) **References Cited**

(71) Applicant: **Benebone LLC**, Westport, CT (US)

U.S. PATENT DOCUMENTS

(72) Inventors: **Peter Toolan**, Westport, CT (US); **Evan L. Ryan**, Chicago, IL (US)

6,360,693	B1 *	3/2002	Long, III	A01K 15/026 119/707
9,629,338	B2 *	4/2017	Bianchi	A01K 15/026
9,839,199	B2 *	12/2017	Dewey	A01K 15/026
D854,259	S *	7/2019	Baiocchi	D30/160
D862,811	S *	10/2019	van Voorden	D30/160
D870,400	S *	12/2019	Toolan	D30/160
D871,686	S *	12/2019	Toolan	D30/160
D877,992	S *	3/2020	Gick	D30/160
2006/0102099	A1 *	5/2006	Edwards	A01K 15/026 119/710

(73) Assignee: **Benebone LLC**, Westport, CT (US)

(**) Term: **15 Years**

(21) Appl. No.: **29/778,462**

(22) Filed: **Apr. 13, 2021**

* cited by examiner

Related U.S. Application Data

Primary Examiner — Sheryl Lane

Assistant Examiner — Aula Soroush

(60) Division of application No. 29/718,754, filed on Dec. 27, 2019, which is a continuation of application No. 29/627,408, filed on Nov. 27, 2017, now Pat. No. Des. 871,686.

(74) *Attorney, Agent, or Firm* — Zollinger & Burleson Ltd.

(51) **LOC (13) Cl.** **30-99**

(57) **CLAIM**

The ornamental design for a pet chew toy, as shown and described.

(52) **U.S. Cl.**

USPC **D30/160**

DESCRIPTION

(58) **Field of Classification Search**

USPC D21/398, 400, 402, 412, 415, 426, 436, D21/439, 440, 441, 443, 455, 460-462, D21/466-468, 479, 495, 563, 656, 712, D21/713, 788, 799.1, 470, 681, 386, 484, D21/707, 408, 437, 673, 678, 679, 682; D24/211, 212, 214, 215, 193-195; D30/160, 112, 119; D1/125-127, 120, D1/101, 104, 106, 199, 108, 115
CPC A01K 15/026; A23G 3/563; A23K 40/25; A23K 50/40

FIG. 1 is an upper right perspective view of a pet chew toy showing our new design.

FIG. 2 is a bottom right perspective view thereof.

FIG. 3 is a front elevation view of thereof.

FIG. 4 is a top plan view thereof.

FIG. 5 is a rear elevation view thereof.

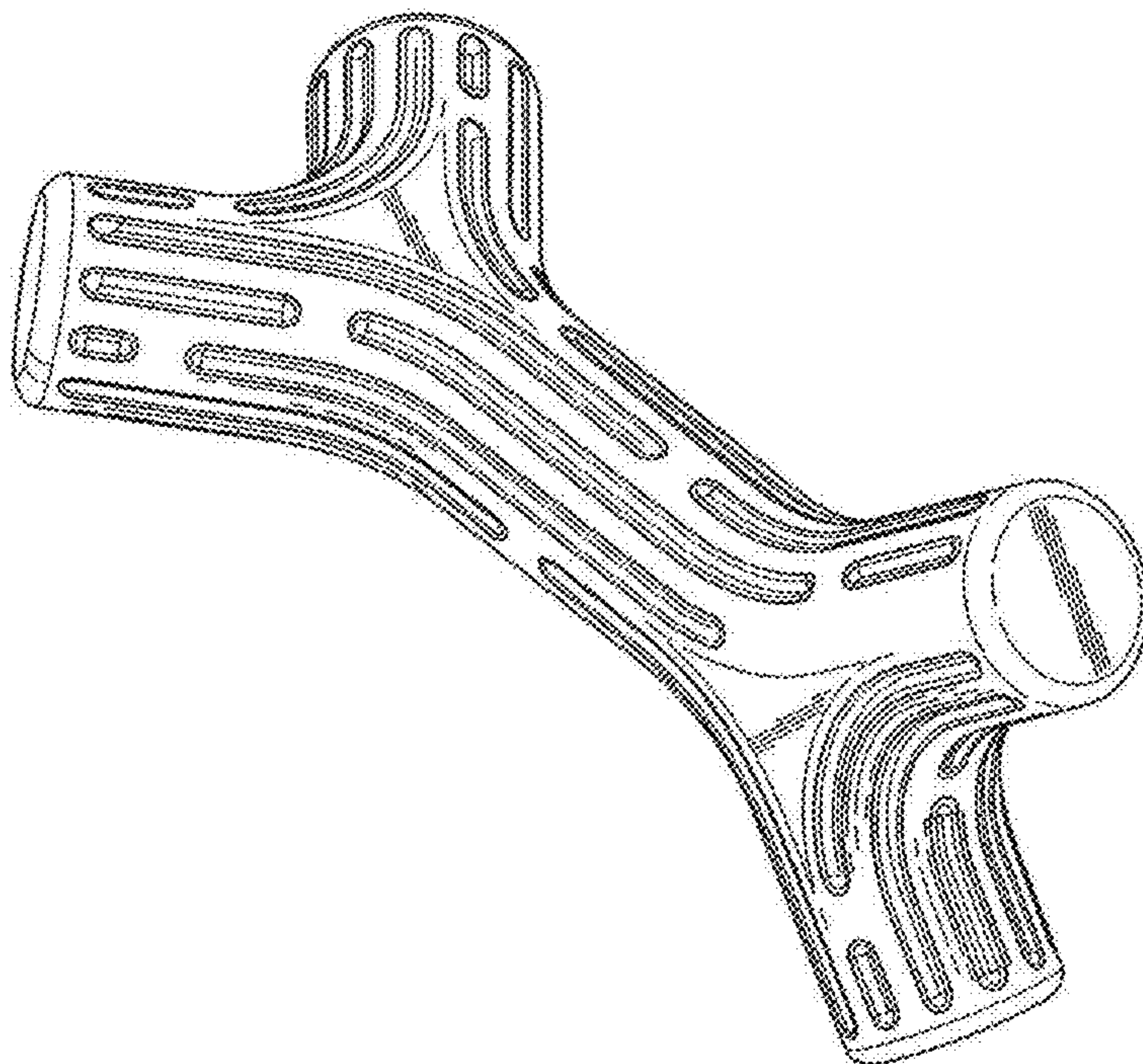
FIG. 6 is a bottom plan view thereof.

FIG. 7 is a left side elevation view thereof; and,

FIG. 8 is a right side elevation view thereof.

See application file for complete search history.

1 Claim, 8 Drawing Sheets



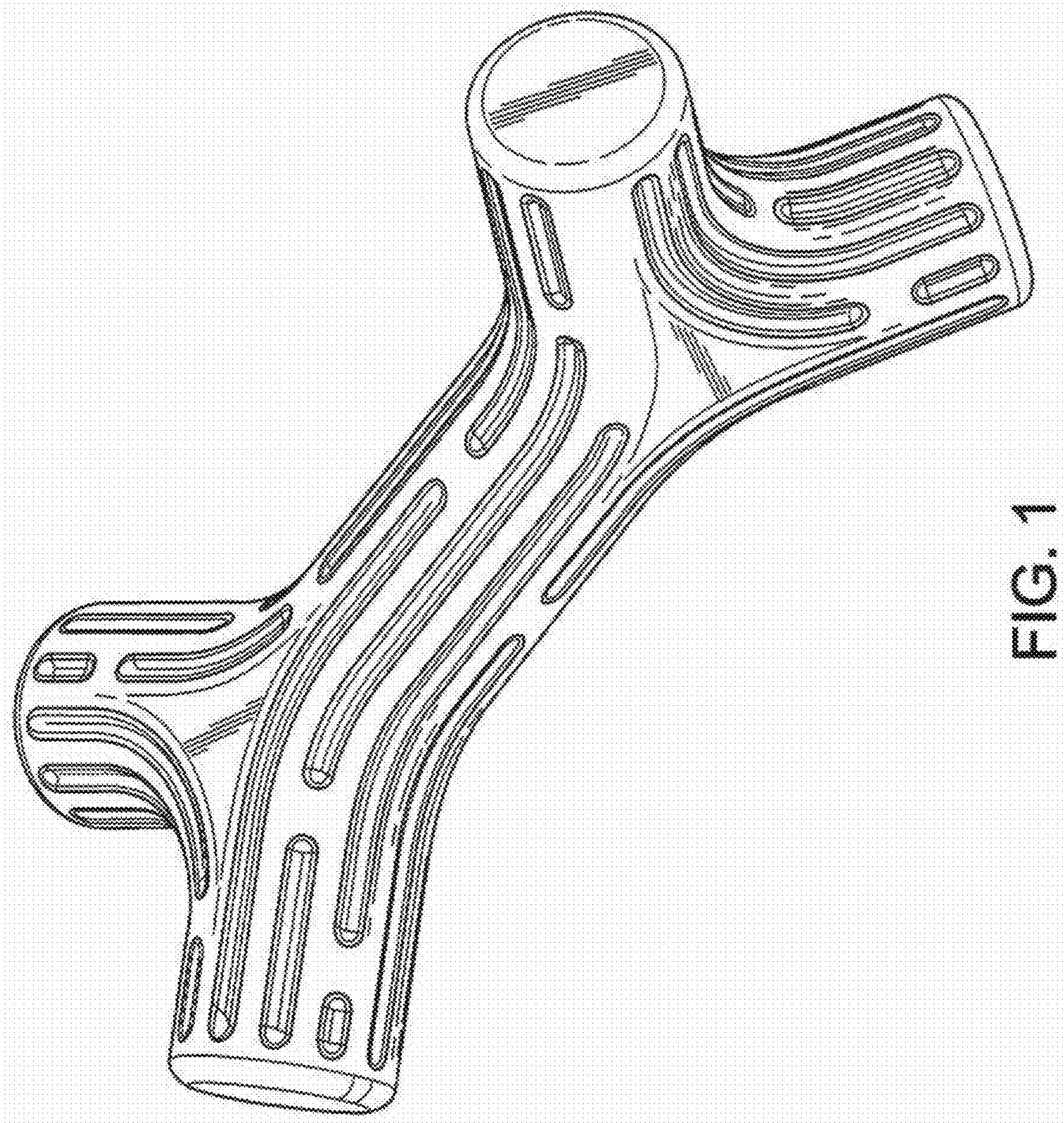


FIG. 1

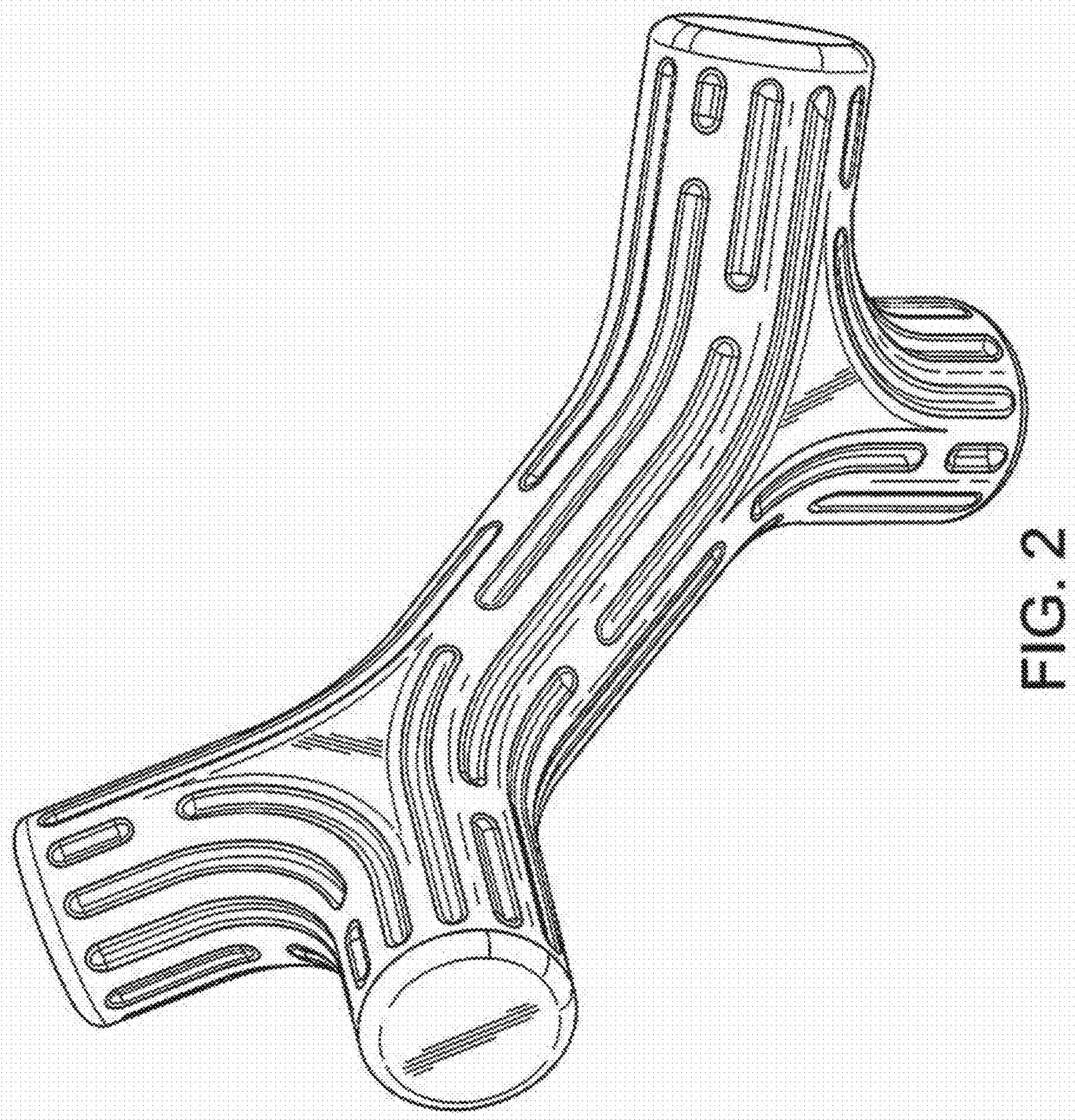


FIG. 2

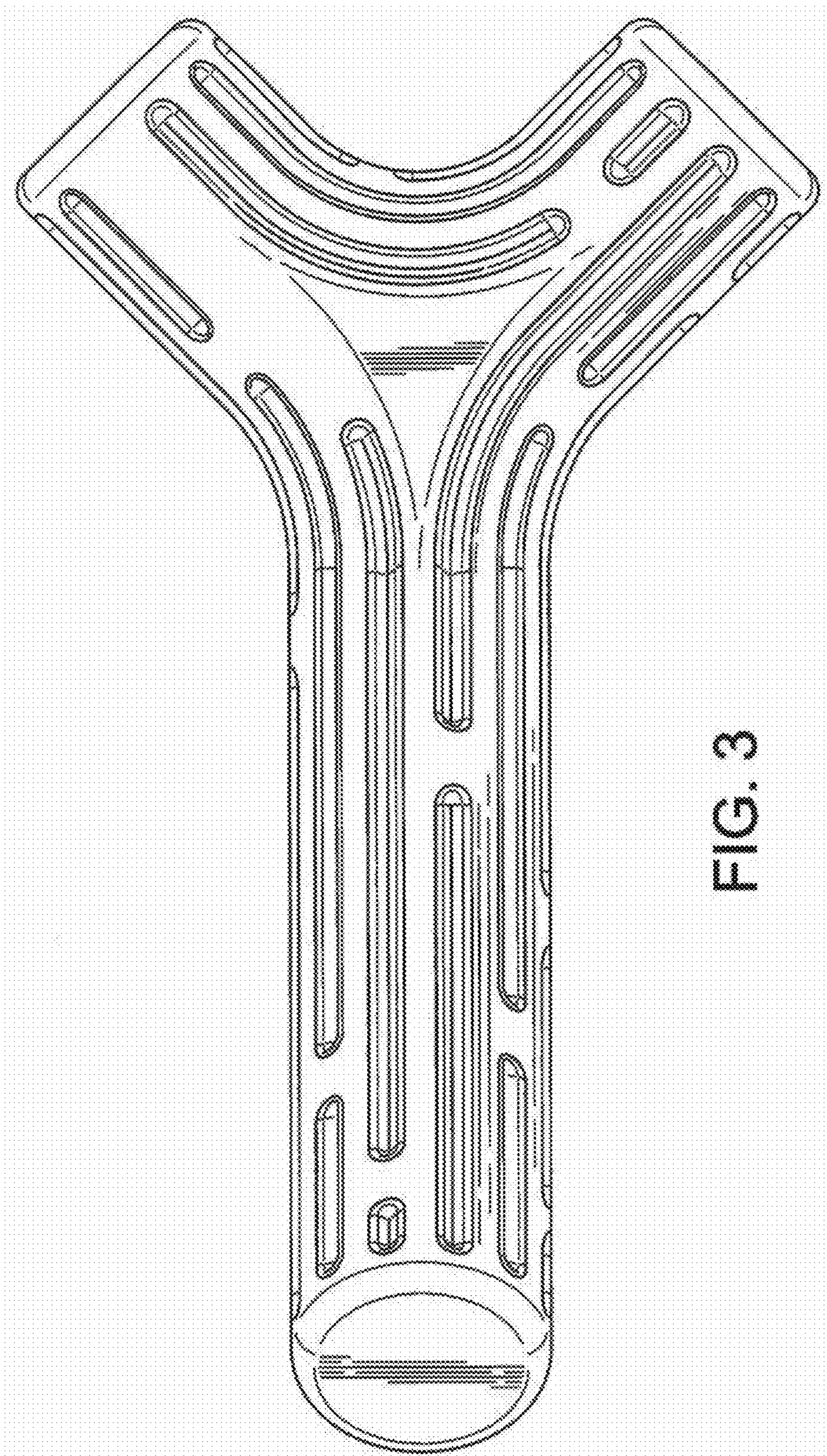


FIG. 3

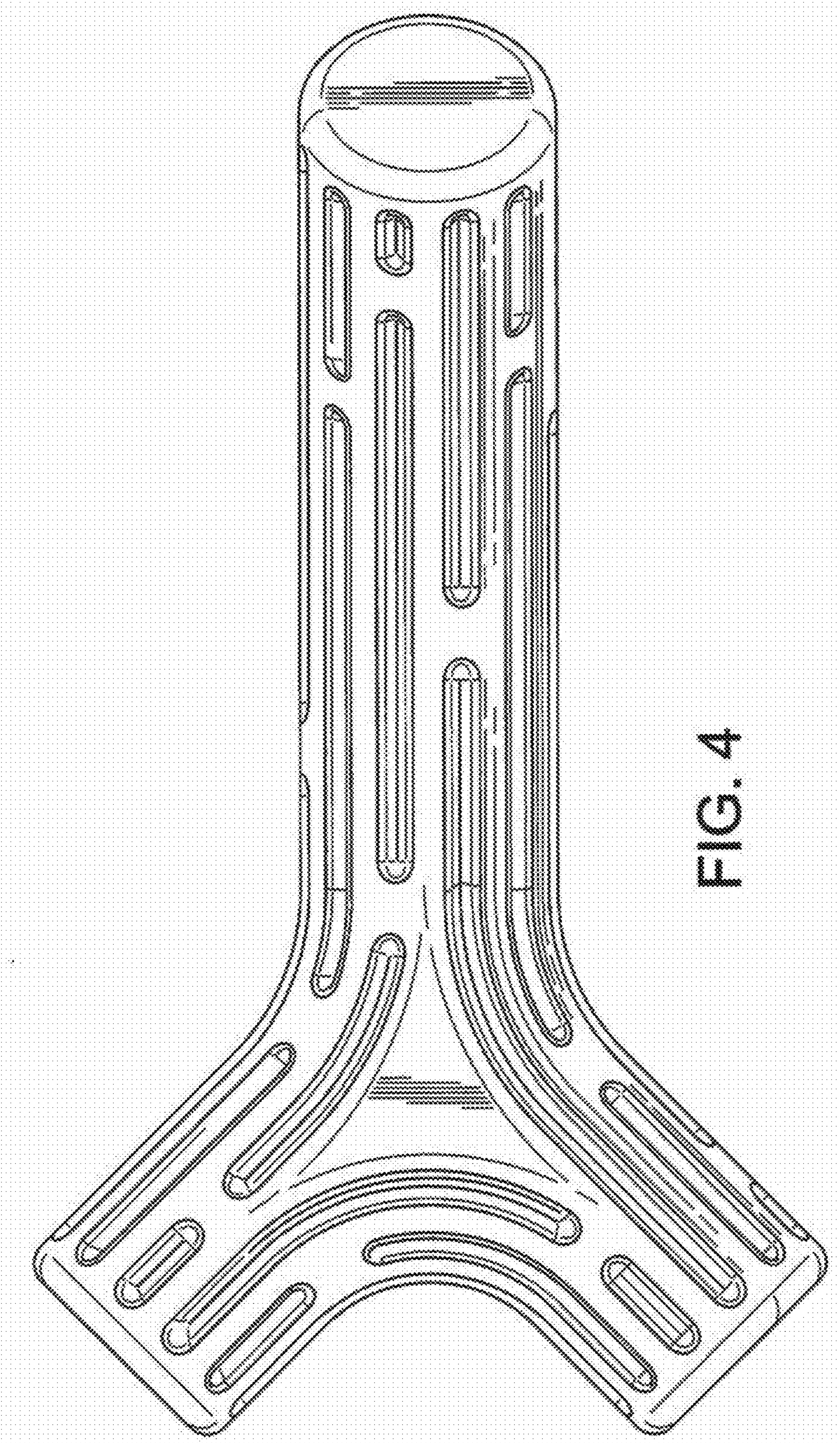


FIG. 4

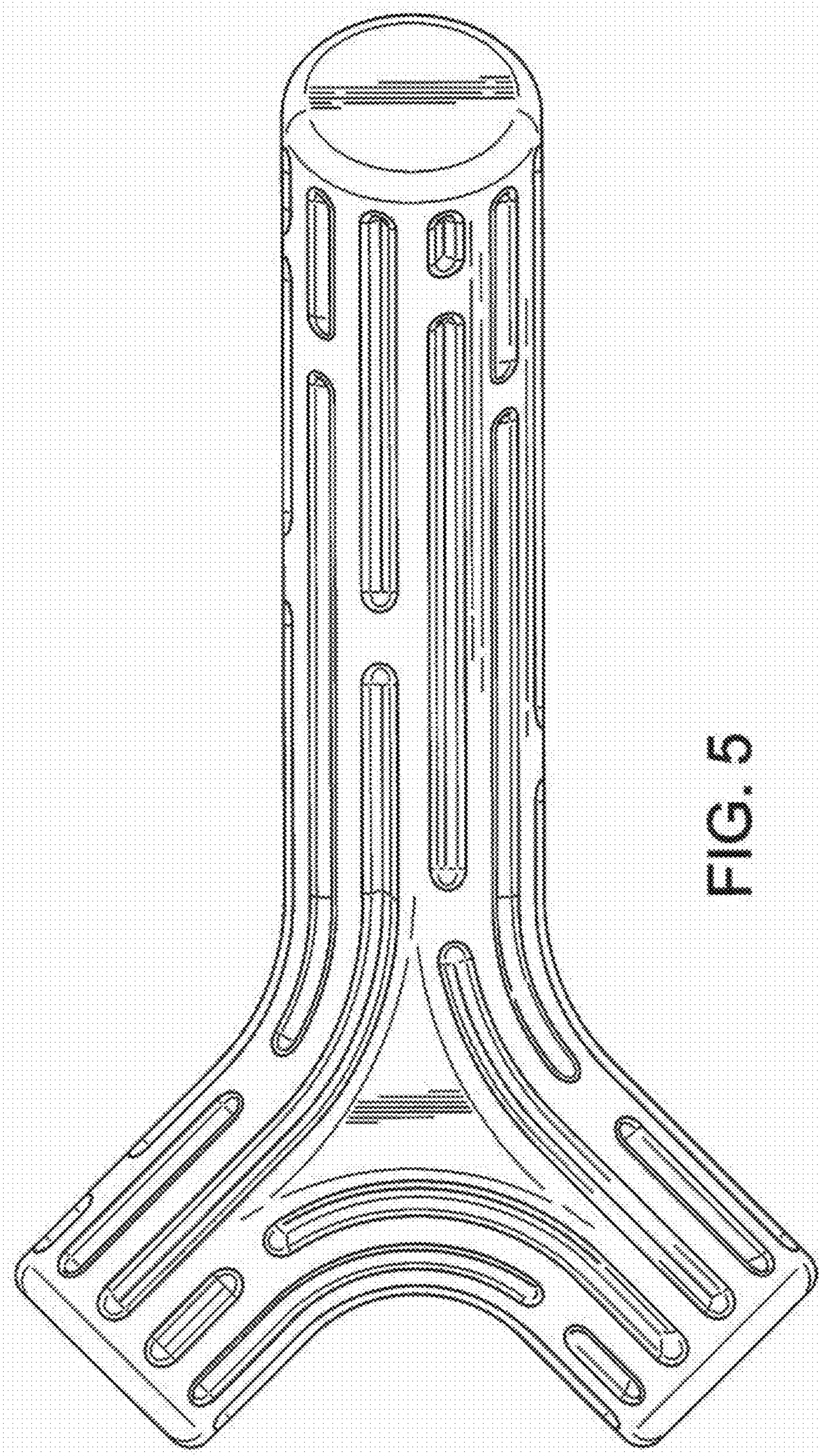


FIG. 5

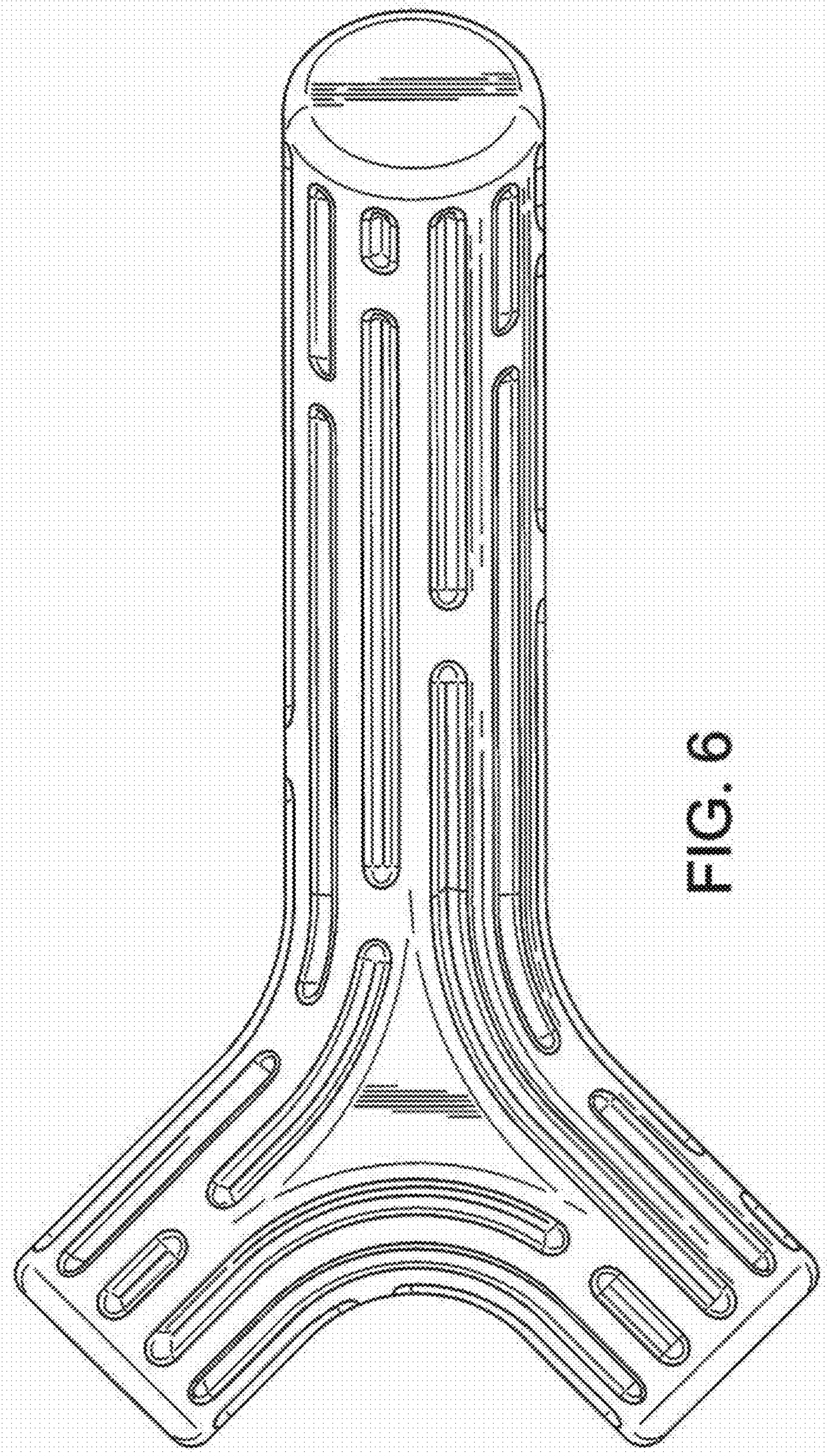


FIG. 6

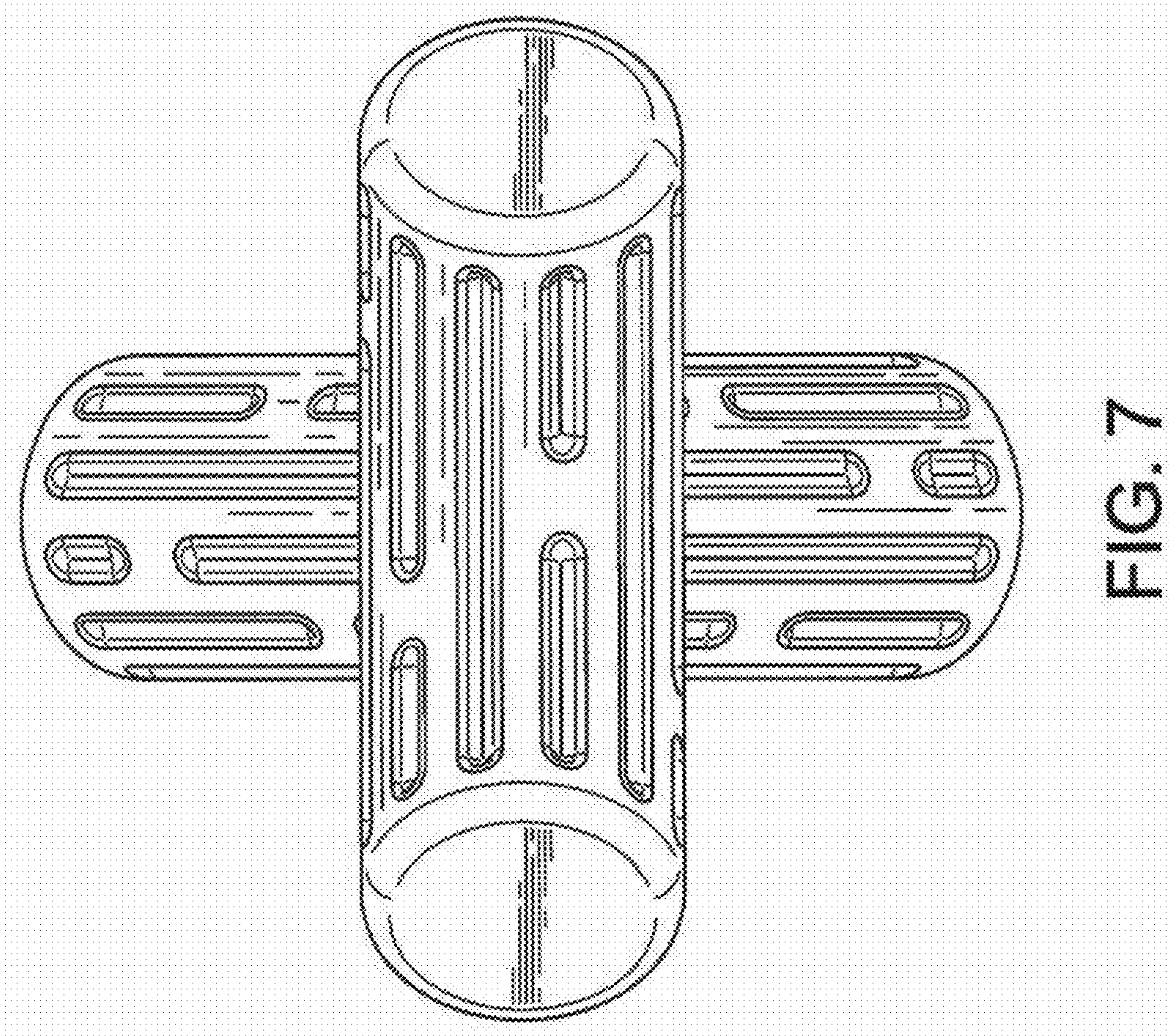


FIG. 7

