



US00D932113S

(12) **United States Design Patent** (10) **Patent No.:** **US D932,113 S**  
**Huthmaker et al.** (45) **Date of Patent:** **\*\* Sep. 28, 2021**

(54) **ANIMAL PEN**

(71) Applicants: **Robert Wayne Huthmaker**, Glenwood Springs, CO (US); **Julie Huthmaker**, Glenwood Springs, CO (US)

(72) Inventors: **Robert Wayne Huthmaker**, Glenwood Springs, CO (US); **Julie Huthmaker**, Glenwood Springs, CO (US)

(\*\*) Term: **15 Years**

(21) Appl. No.: **29/751,132**

(22) Filed: **Sep. 18, 2020**

**Related U.S. Application Data**

(63) Continuation of application No. 29/632,739, filed on Jan. 9, 2018, now Pat. No. Des. 900,409, and a (Continued)

(51) **LOC (13) Cl.** ..... **30-99**

(52) **U.S. Cl.**  
USPC ..... **D30/160**

(58) **Field of Classification Search**  
USPC ..... D30/118-119, 158, 160; D21/520;  
D6/601, 349, 595-597, 604, 382  
(Continued)

(56) **References Cited**

**U.S. PATENT DOCUMENTS**

2,839,320 A \* 6/1958 Hill ..... F16B 7/04  
403/172  
3,606,620 A \* 9/1971 Glover ..... A47D 7/002  
5/99.1

(Continued)

**FOREIGN PATENT DOCUMENTS**

AU 2015101082 A4 9/2015  
WO 2010111513 A1 9/2010

**OTHER PUBLICATIONS**

Provisional U.S. Appl. No. 61/163,356, filed Mar. 25, 2009.

(Continued)

*Primary Examiner* — Michelle E. Wilson

*Assistant Examiner* — Aula Soroush

(74) *Attorney, Agent, or Firm* — Darrow Mustafa PC

(57) **CLAIM**

The ornamental design for an animal pen, as shown and described.

**DESCRIPTION**

FIG. 1 is a perspective view of an animal pen, showing our ornamental design;

FIG. 2 is a front elevation view of the animal pen of FIG. 1;

FIG. 3 is a rear elevation view of the animal pen of FIG. 1;

FIG. 4 is a left side elevation view of the animal pen of FIG. 1;

FIG. 5 is a right side elevation view of the animal pen of FIG. 1;

FIG. 6 is a top plan view of the animal pen of FIG. 1;

FIG. 7 is a bottom plan view of the animal pen of FIG. 1;

FIG. 8 is a perspective view of an animal pen, showing our ornamental design;

FIG. 9 is a front elevation view of the animal pen of FIG. 8;

FIG. 10 is a rear elevation view of the animal pen of FIG. 8;

FIG. 11 is a left side elevation view of the end cap for animal pen of FIG. 8;

FIG. 12 is a right side elevation view of the animal pen of FIG. 8;

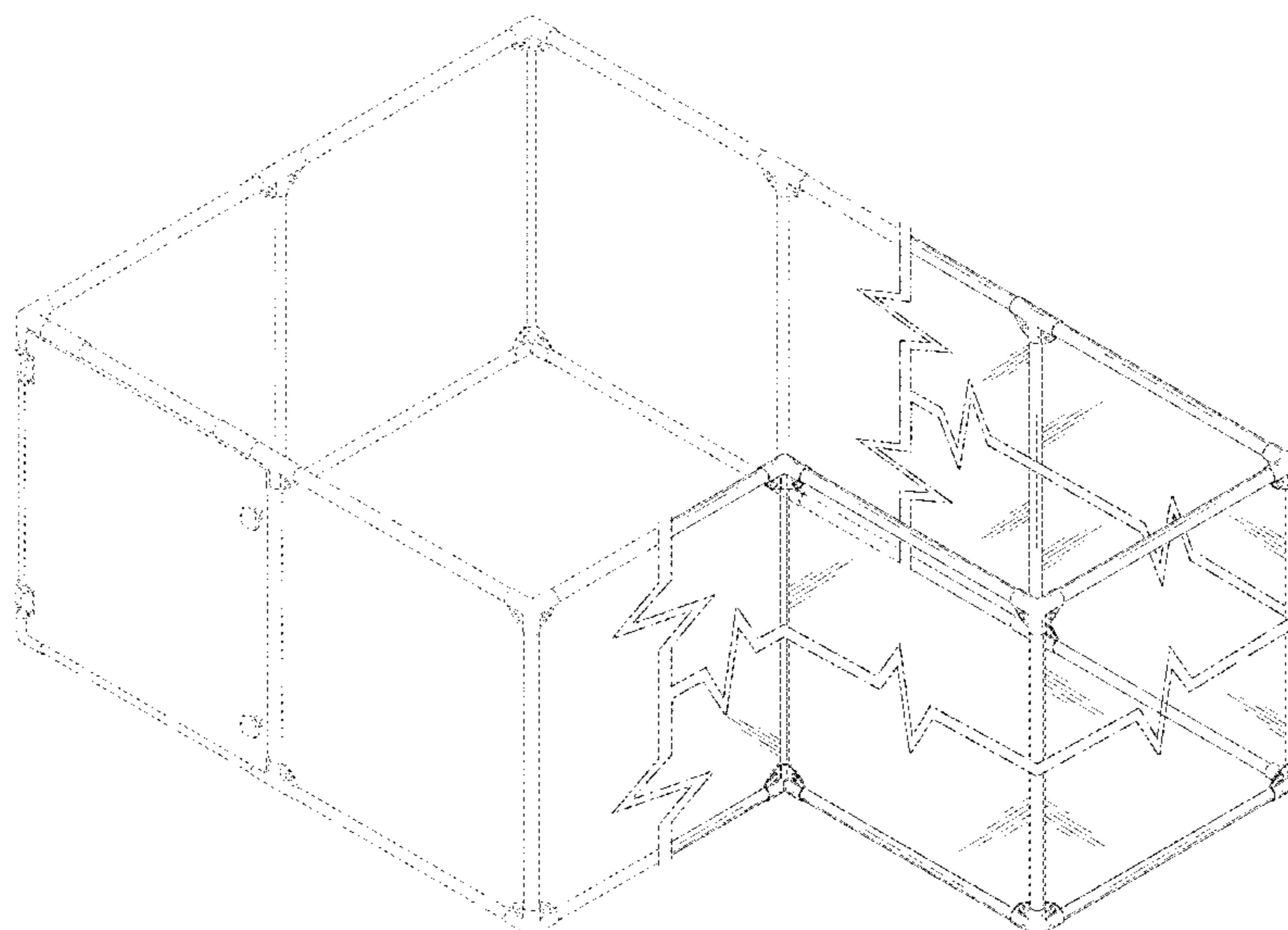
FIG. 13 is a top plan view of the animal pen of FIG. 8; and,

FIG. 14 is a bottom plan view of the animal pen of FIG. 8.

The broken lines in the drawings illustrate portions of the animal pen that form no part of the claimed design.

The dot-dash lines in the drawings illustrate boundaries and form no part of the claimed design.

**1 Claim, 12 Drawing Sheets**



**Related U.S. Application Data**

continuation of application No. 16/244,055, filed on Jan. 9, 2019.

(58) **Field of Classification Search**

CPC ..... A01K 1/00; A01K 1/0272; A01K 1/0353; A01K 1/035

See application file for complete search history.

(56)

**References Cited**

U.S. PATENT DOCUMENTS

4,819,582	A	4/1989	Lichvar	
5,058,863	A	10/1991	Maffet	
5,564,367	A	10/1996	Boyanton	
6,851,135	B1 *	2/2005	Chen .....	A47D 13/063 5/98.1
6,871,614	B2	3/2005	Goldwitz et al.	
6,874,177	B2 *	4/2005	Hsia .....	A47D 7/03 5/93.1
D522,933	S	6/2006	Monaghan	
7,681,524	B1	3/2010	Hudson	
D686,287	S	7/2013	Boatwright	
D697,988	S *	1/2014	Januszek .....	D21/686
8,640,761	B2	2/2014	Potter	
8,919,284	B2 *	12/2014	Wolfe, Jr. ....	A01K 15/02 119/28.5
D731,611	S *	6/2015	Klein .....	D21/826
9,622,602	B2	4/2017	Potter	
9,635,833	B2	5/2017	Oeltjen et al.	
9,848,714	B2 *	12/2017	Burns .....	A47D 13/06
D809,216	S	1/2018	French	
D812,174	S *	3/2018	Civile .....	D21/814

D820,526	S	6/2018	Wilson et al.	
10,094,496	B2 *	10/2018	Humm .....	B23K 33/006
D852,907	S *	7/2019	Sergakis .....	D21/686
D866,088	S *	11/2019	Widner .....	D30/118
10,786,098	B1 *	9/2020	Martin .....	G01B 5/25
D900,409	S *	10/2020	Huthmaker .....	D30/119
2007/0151026	A1	7/2007	Felix	
2008/0276872	A1	11/2008	Chern	
2009/0090302	A1	4/2009	Conrad et al.	
2009/0314220	A1	12/2009	Groh et al.	
2010/0018466	A1	1/2010	Austin	
2010/0154118	A1	6/2010	Pearce	
2017/0306693	A1	10/2017	Potter	
2018/0142718	A1	5/2018	Zhu	
2019/0289814	A1	9/2019	Zhuo	

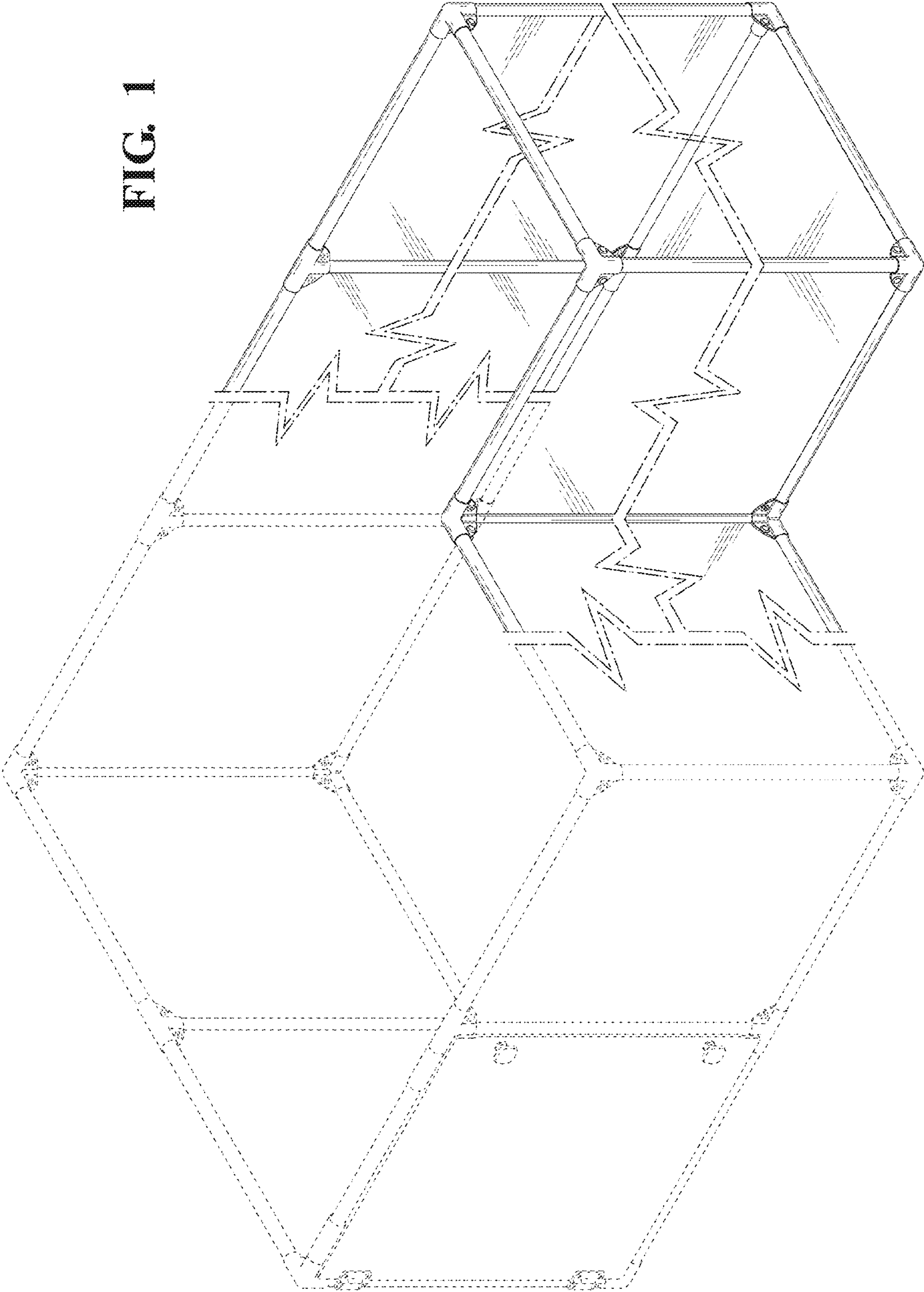
OTHER PUBLICATIONS

Tespo, "Tespo Dog Playpen, Portable Large Plastic Yard Fence for Small Animals, Popup Kennel Crate Fence Tent, Transparent White 12 Panels", Retrieved from the Internet: <[https://www.amazon.com/Tespo-Playpen-Portable-Plastic-Transparent/dp/B06XTG94TH/ref=sr\\_1\\_3?ie=UTF8&qid=1522082785&sr=8-3&keywords=plastic+dog+pen](https://www.amazon.com/Tespo-Playpen-Portable-Plastic-Transparent/dp/B06XTG94TH/ref=sr_1_3?ie=UTF8&qid=1522082785&sr=8-3&keywords=plastic+dog+pen)>, retrieved Apr. 18, 2018 (11 pages).

Kousi, "Small Pets Playpen Indoor Yard Fence for Small Animals Popup Kennel Crate, Portable & Large, Dog Guinea Pigs Rabbit Puppy Tent—Transparent 12 Plastic Panels", Retrieved from the Internet: <[https://www.amazon.com/KOUSI-Playpen-Indoor-Animals-Portable/dp/B01L3JMRGQ/ref=redir\\_mobile\\_desktop?\\_encoding=UTF8&ref\\_=cm\\_cr\\_ar\\_p\\_mb\\_bdcrb\\_top](https://www.amazon.com/KOUSI-Playpen-Indoor-Animals-Portable/dp/B01L3JMRGQ/ref=redir_mobile_desktop?_encoding=UTF8&ref_=cm_cr_ar_p_mb_bdcrb_top)>, retrieved Jan. 10, 2018 (9 pages).

\* cited by examiner

FIG. 1



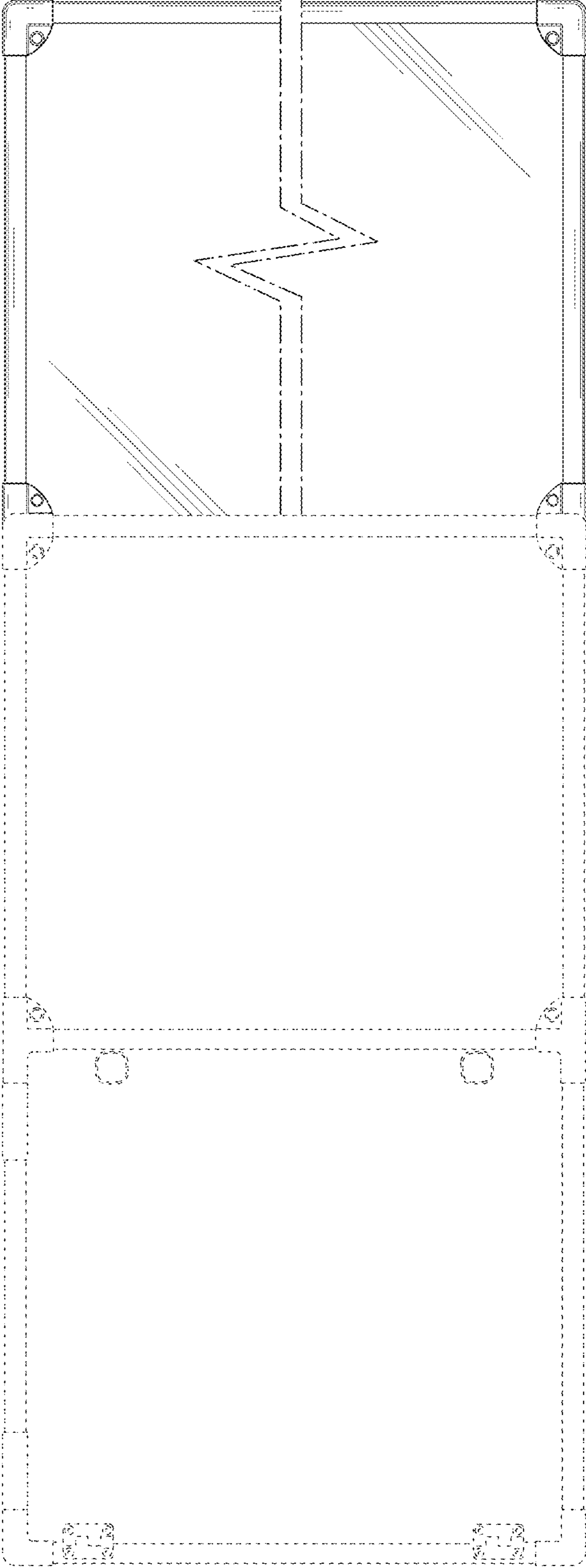


FIG. 2

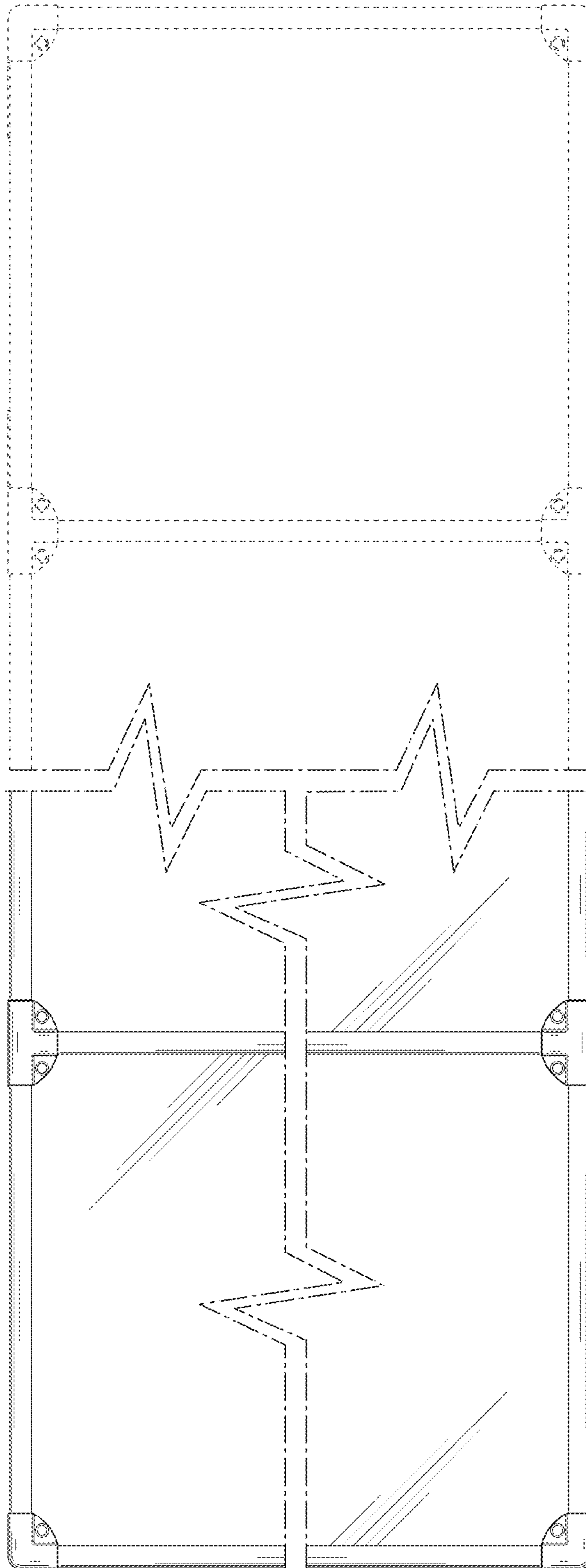


FIG. 3

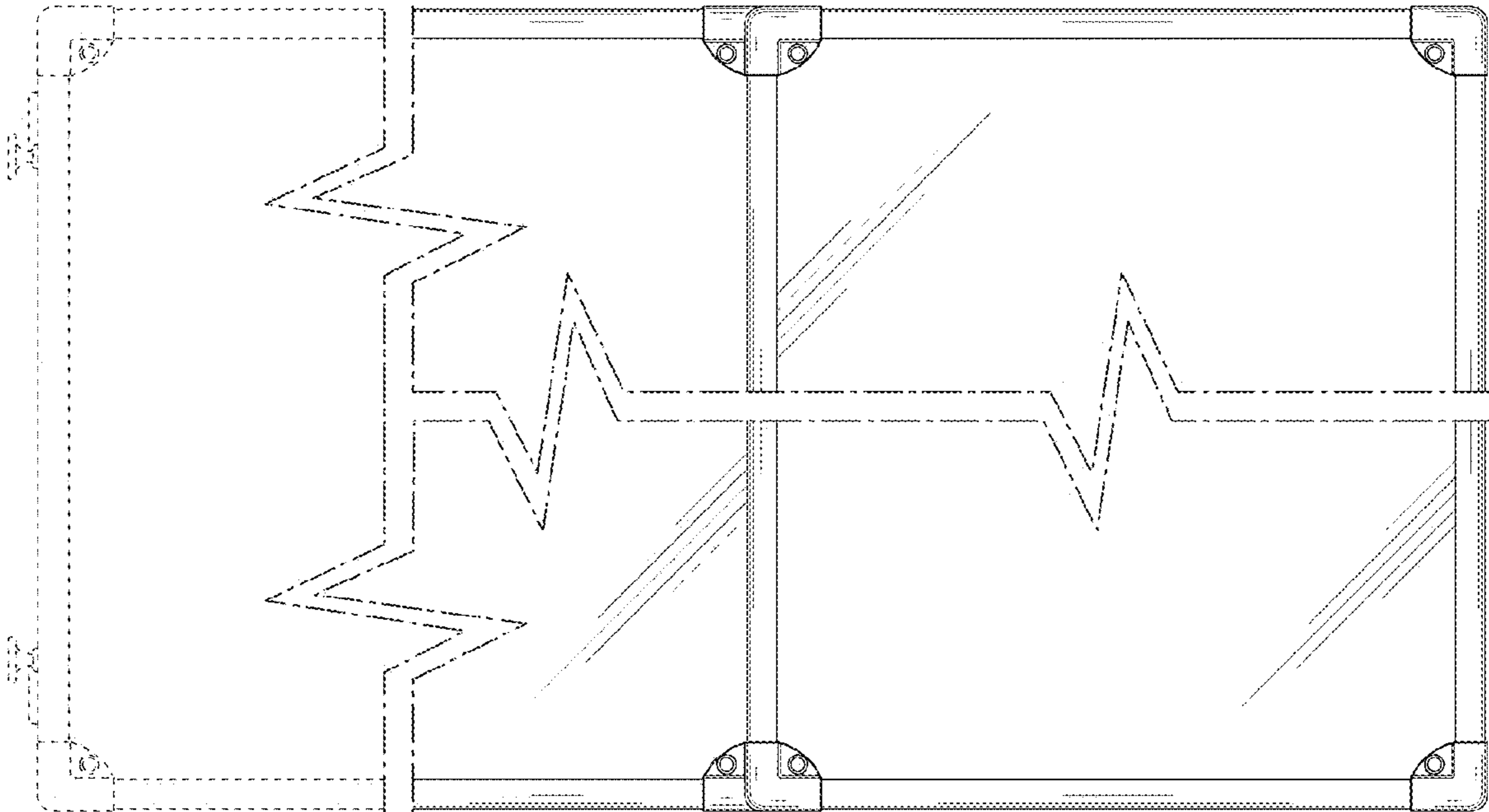


FIG. 4

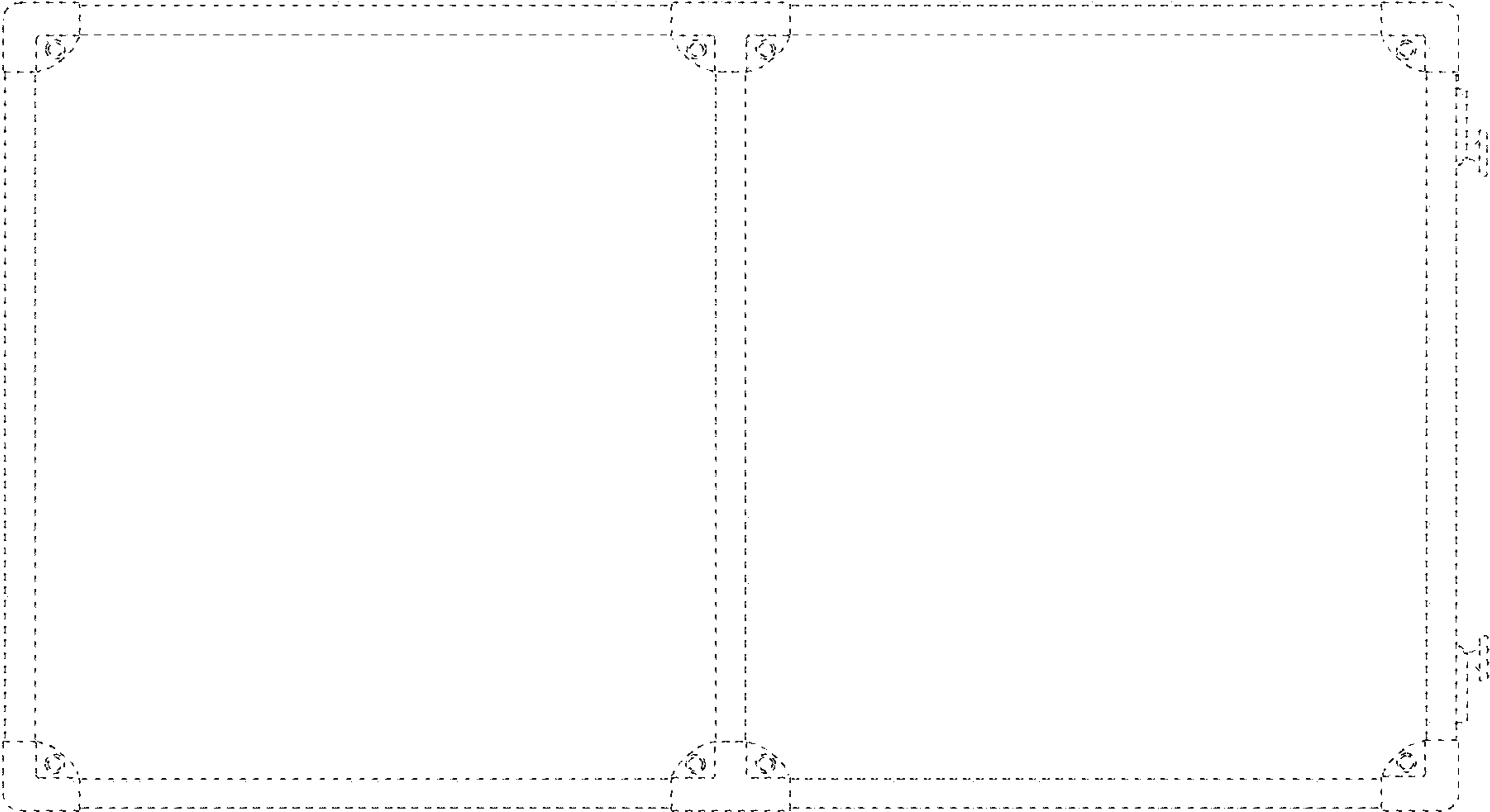


FIG. 5

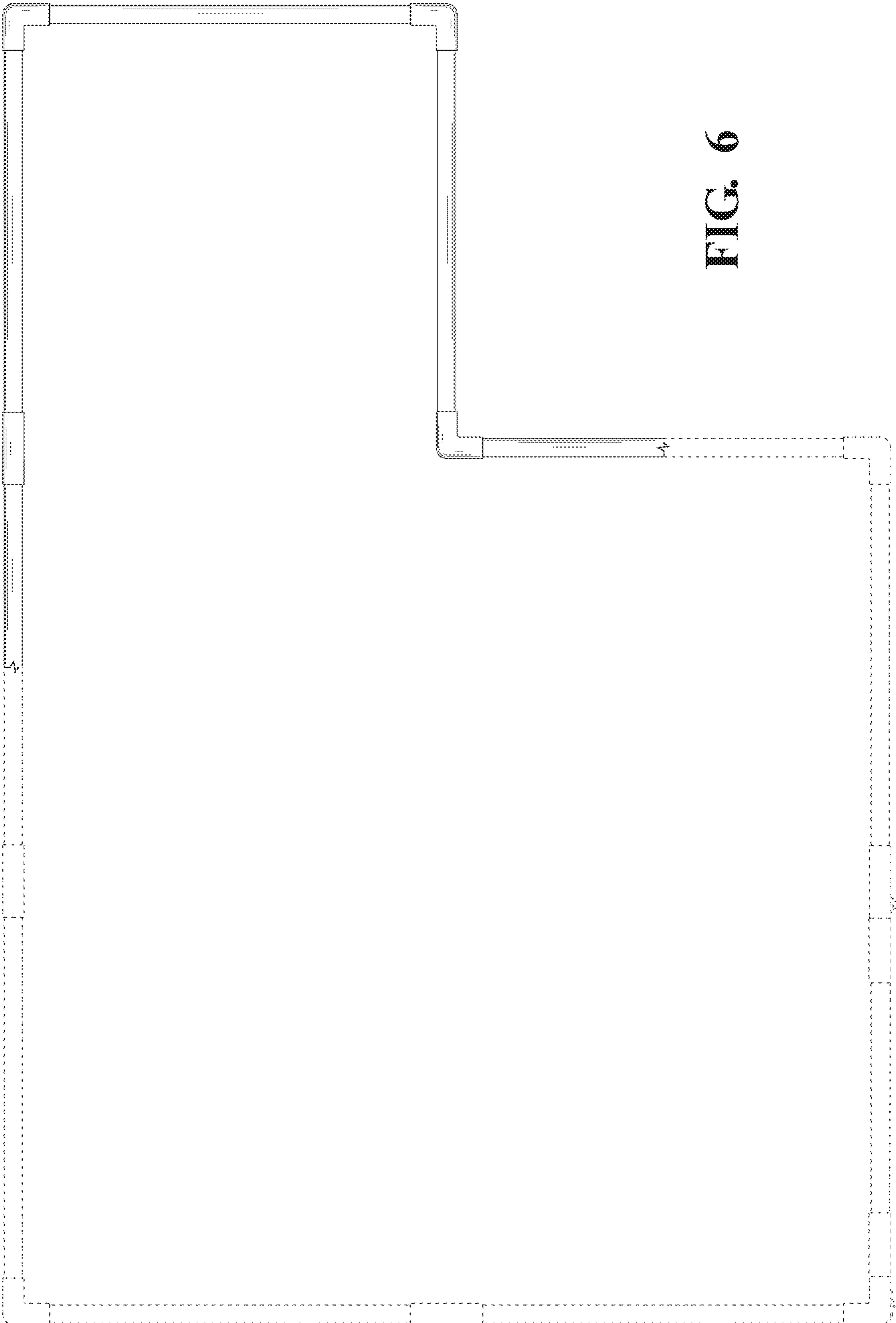
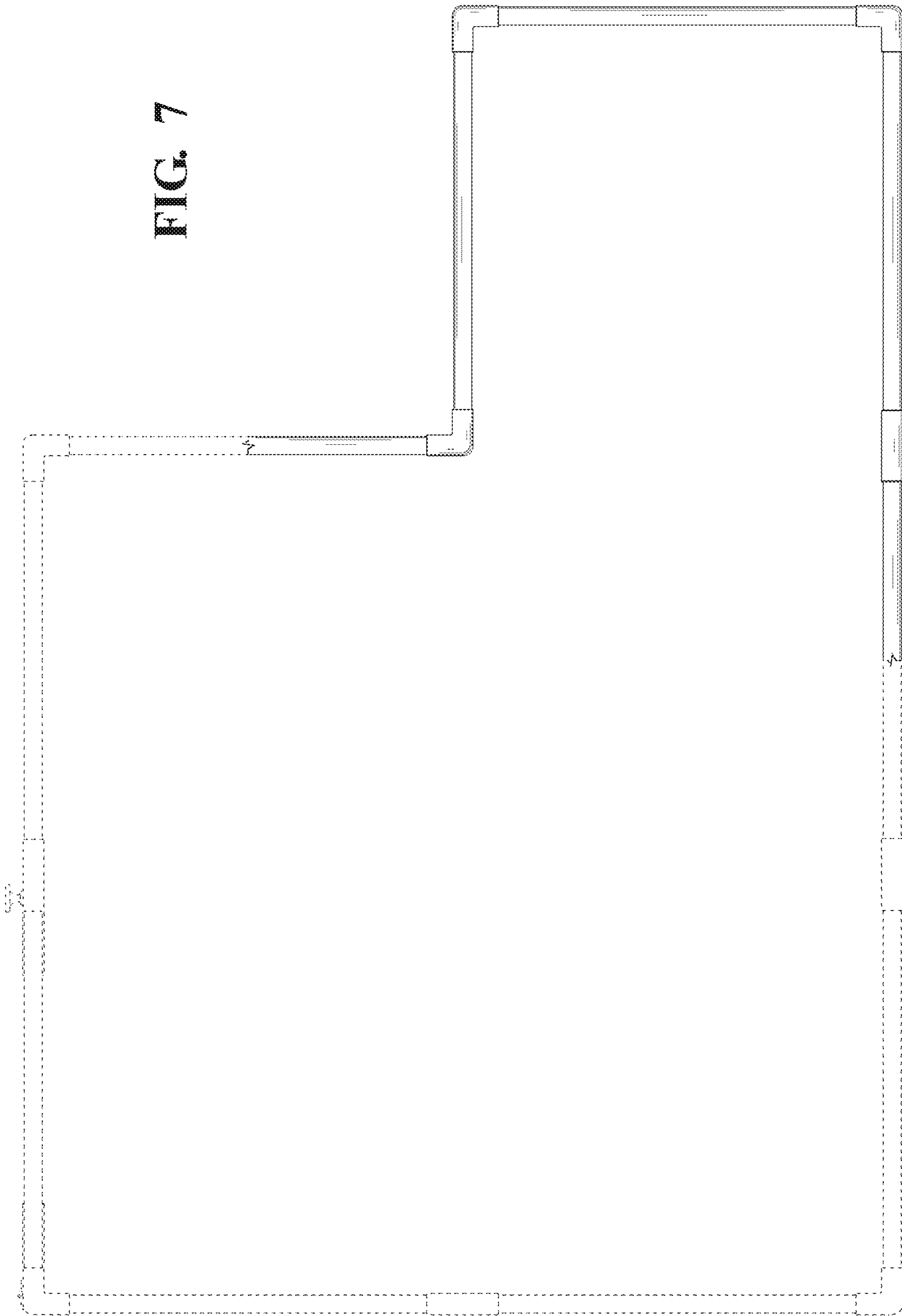


FIG. 6

FIG. 7





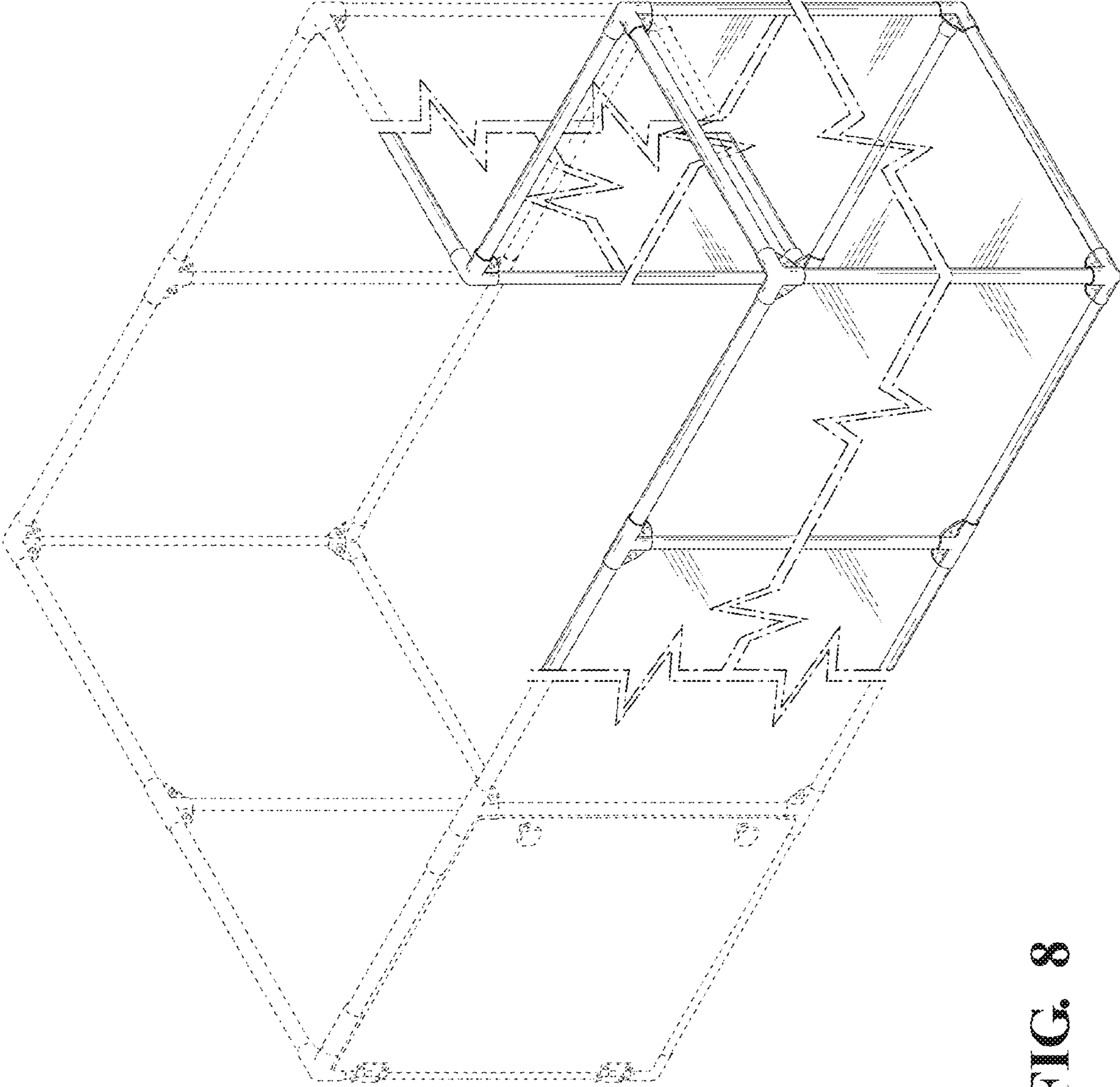


FIG. 8

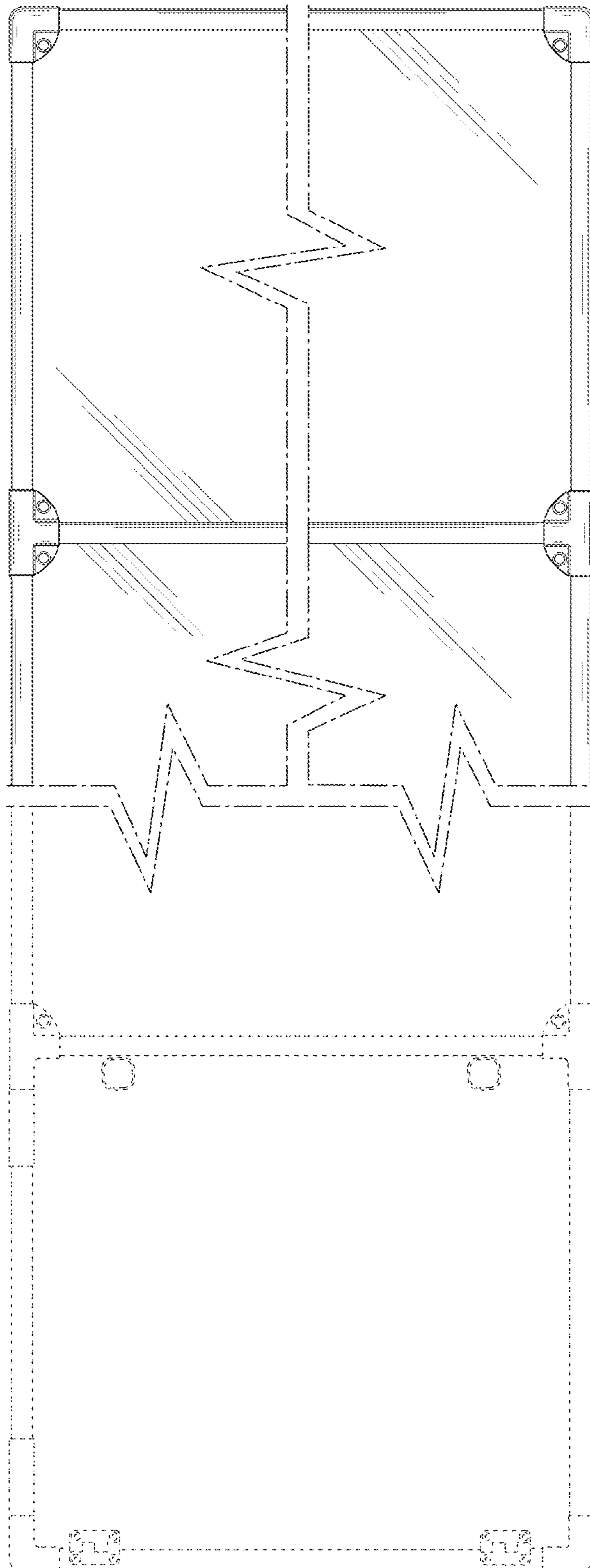


FIG. 9

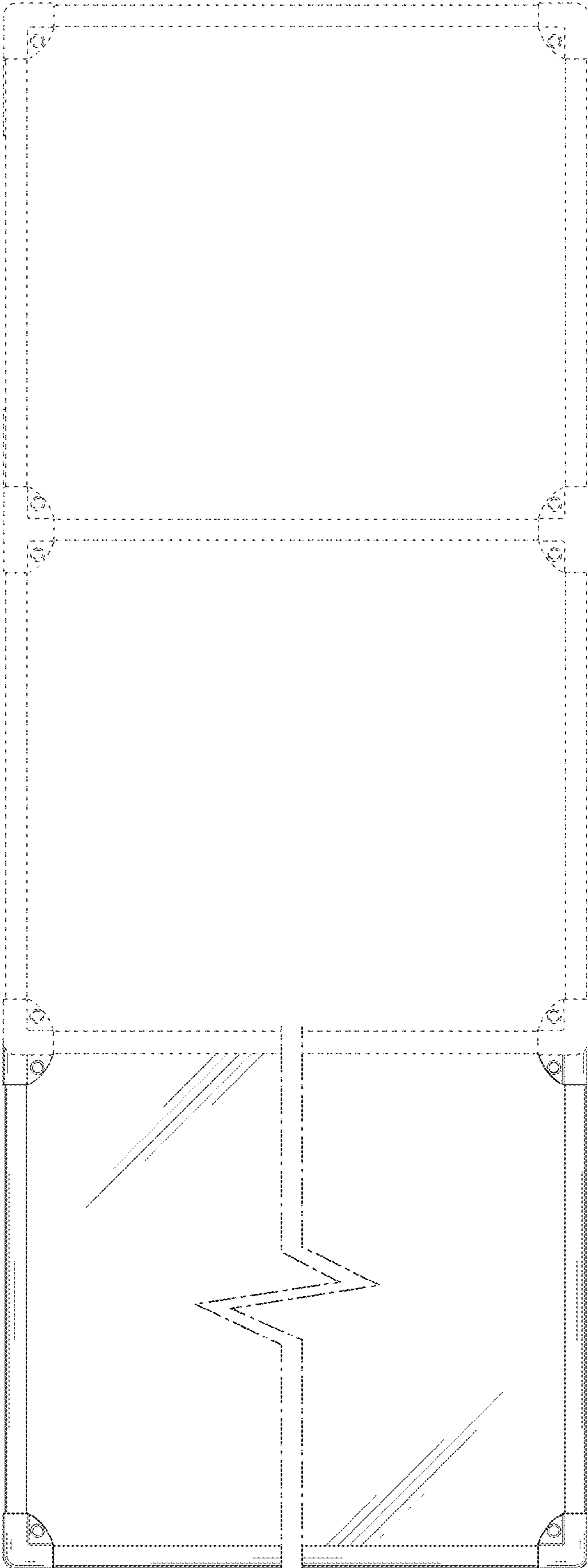


FIG. 10

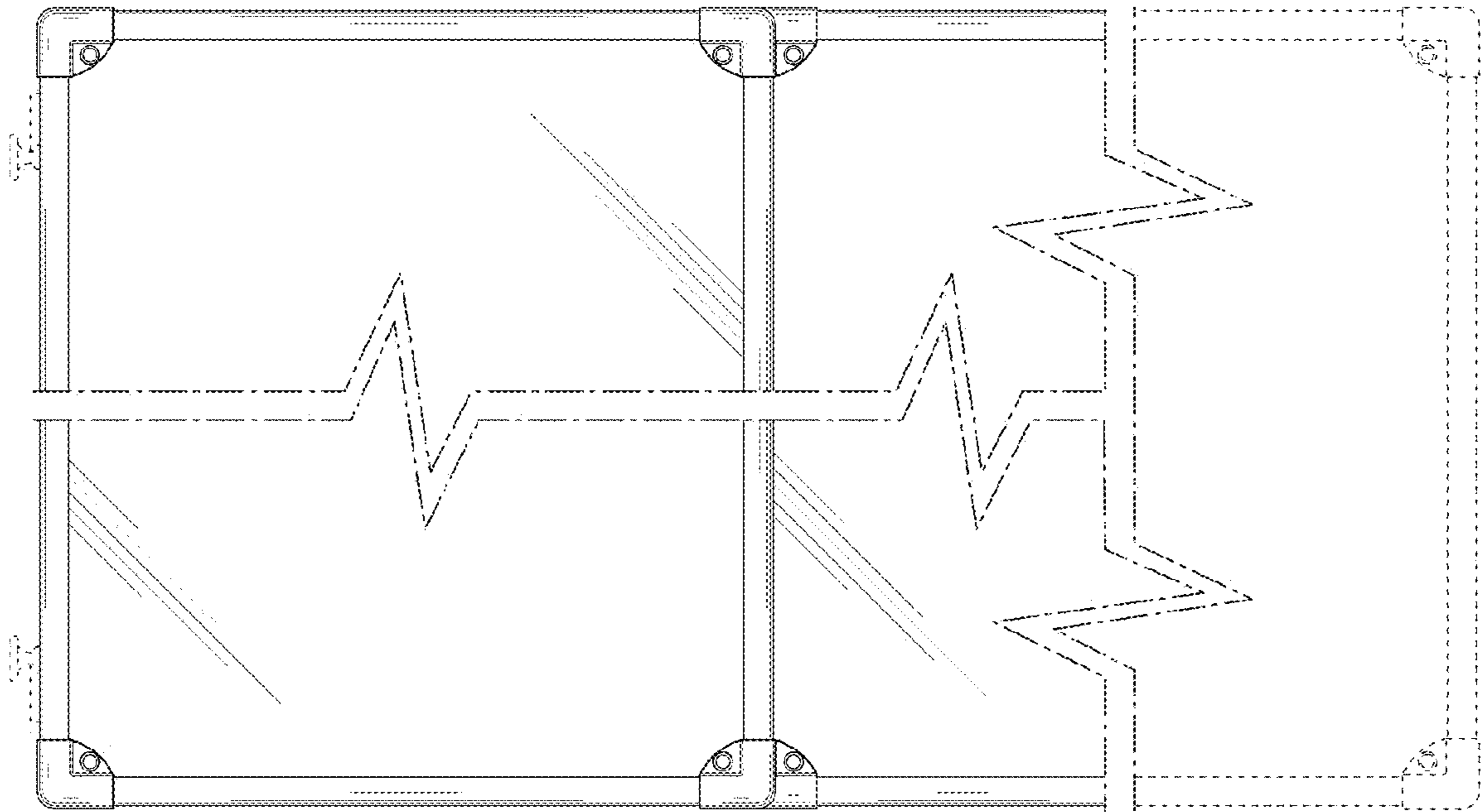


FIG. 11

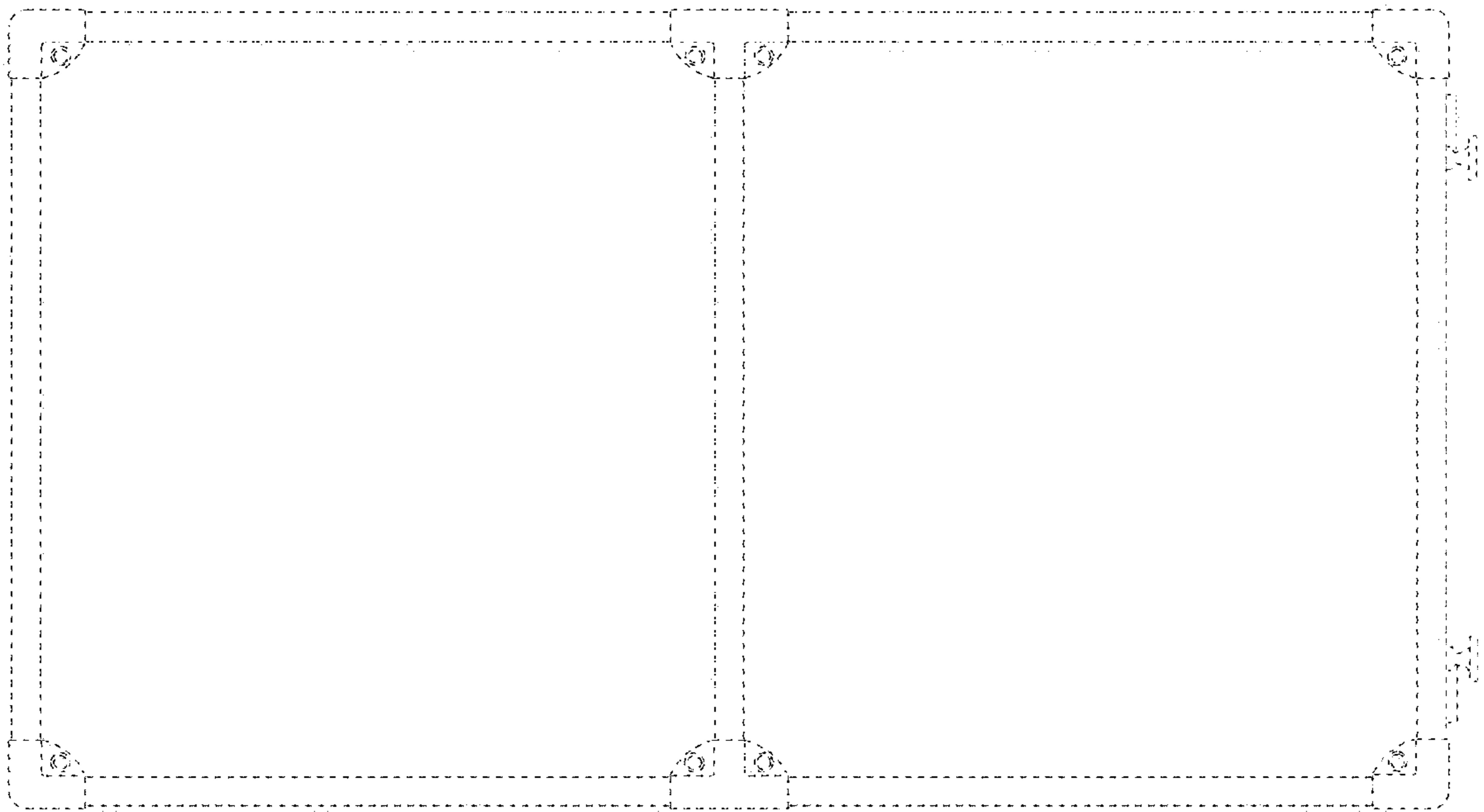
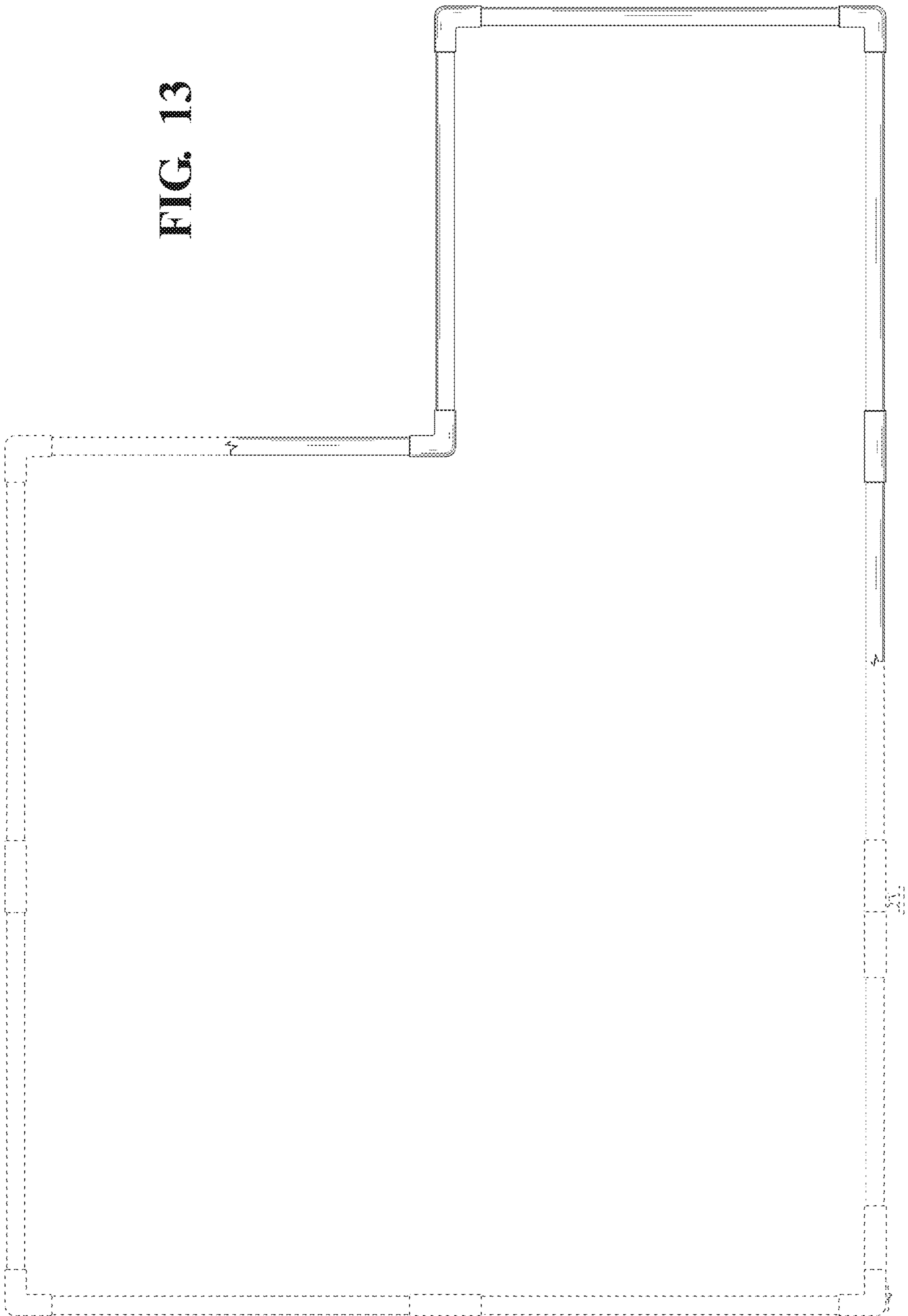


FIG. 12

FIG. 13



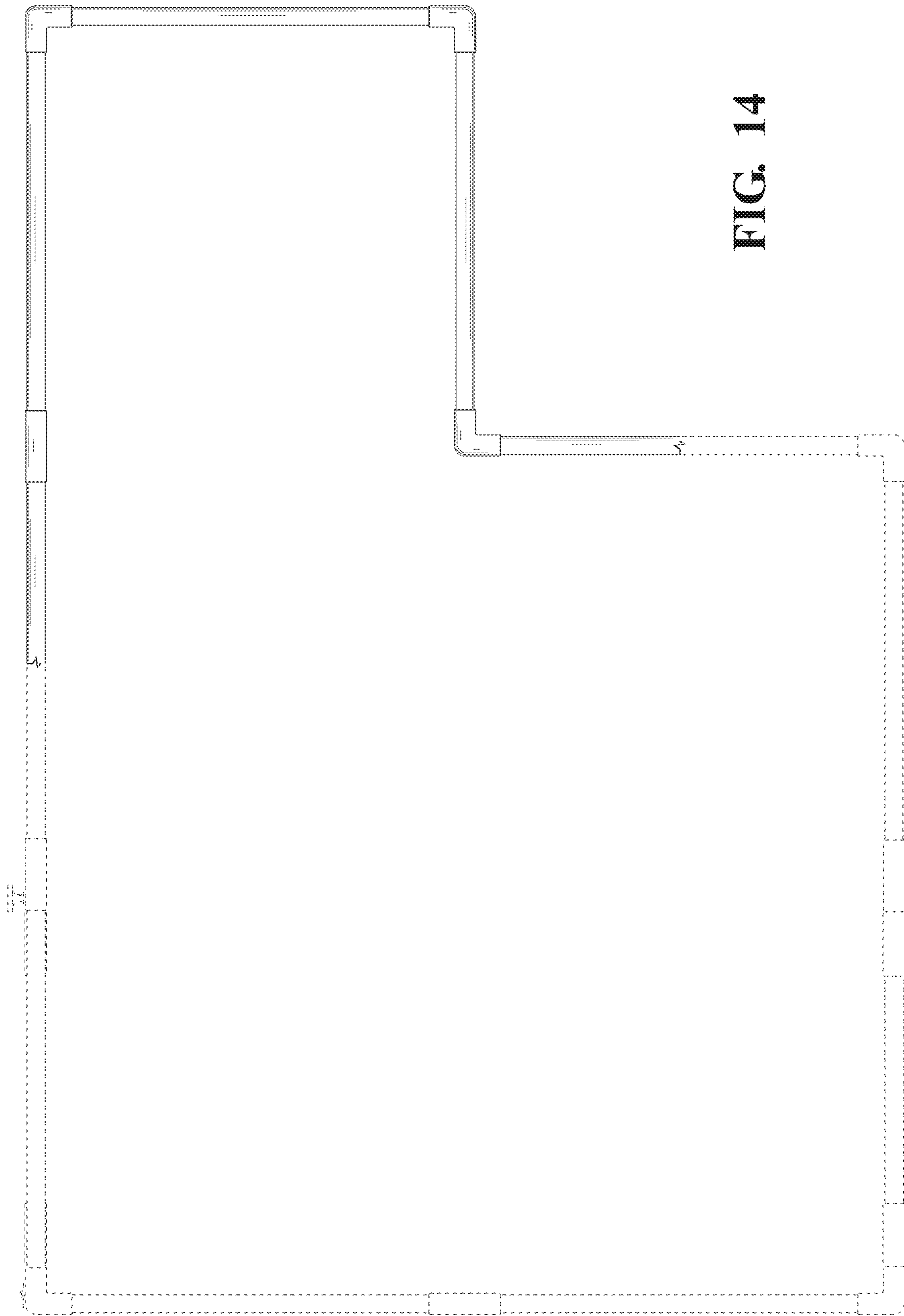


FIG. 14