



US00D932110S

(12) **United States Design Patent** (10) **Patent No.:** **US D932,110 S**  
**Tang** (45) **Date of Patent:** **\*\* Sep. 28, 2021**

(54) **AUTOMATIC FEEDING DEVICE FOR PETS**

(71) Applicant: **Wei Tang**, Guangdong (CN)

(72) Inventor: **Wei Tang**, Guangdong (CN)

(\*\*) Term: **15 Years**

(21) Appl. No.: **29/731,261**

(22) Filed: **Apr. 14, 2020**

(30) **Foreign Application Priority Data**

Dec. 17, 2019 (CN) ..... 201930703875.1

(51) **LOC (13) Cl.** ..... **30-07**

(52) **U.S. Cl.**  
USPC ..... **D30/122**

(58) **Field of Classification Search**  
USPC ..... D30/121, 122, 129-133, 120; 119/61.5, 119/51.01, 61.56, 51.03, 59, 62, 63, 51.5, 119/57.8, 74, 61.54, 61.55, 53, 53.5, 75, 119/56.2, 51.02, 51.11, 51.12, 57.1, 52.1, 119/515; 312/204; 248/151, 188; 108/156, 153.1-157; 220/23.87, 630, 220/737, 743, 9.4, 495.01, 574, 212, 255, 220/23.83; 206/515; D7/586, 543, D7/550.1, 587, 505, 584, 545, 500, D7/553.1-553.8, 546, 555, 556, 504, 565, D7/562, 602, 605, 312, 313, 320, 307, D7/306, 309, 354, 311, 399, 397, 323, D7/332, 331, 347, 346, 322, 318, 317, D7/316, 619.1; D9/429; 43/109; D22/122; 99/430, DIG. 15, 280, 285, 99/312; 222/209, 131, 363, 349, 517, 222/153.13, 401, 1, 146.5, 23, 54, 64, 51, 222/156, 399, 400.8; 219/438, 439, 441, 219/385, 386, 402, 407; 210/94, 184, 210/474, 477  
CPC ..... A01K 5/02; A01K 5/0225; A01K 5/0114; A01K 5/025; A01K 5/0266; A01K 5/0275; A01K 5/0283; A01K 5/0291; A01K 5/0258; A01K 5/0142; A01K

5/0233; A01K 29/00; A01K 7/00; G01F 11/24; G01F 23/02; B67D 1/0425; B67D 1/04; B67D 1/00; B67D 1/02; B67D 1/0871; B67D 1/0802; A47J 41/0033; A47J 41/005; A47J 41/0088; A47J 41/0094; A47J 31/04; A47J 31/053; B05B 11/00; B05B 11/0002; B05B

(Continued)

(56) **References Cited**

U.S. PATENT DOCUMENTS

4,717,364 A \* 1/1988 Furukawa ..... A63H 11/00 367/198  
D348,336 S \* 6/1994 Woo ..... D30/122  
D351,261 S \* 10/1994 Woo ..... D30/122

(Continued)

*Primary Examiner* — Susan Moon Lee

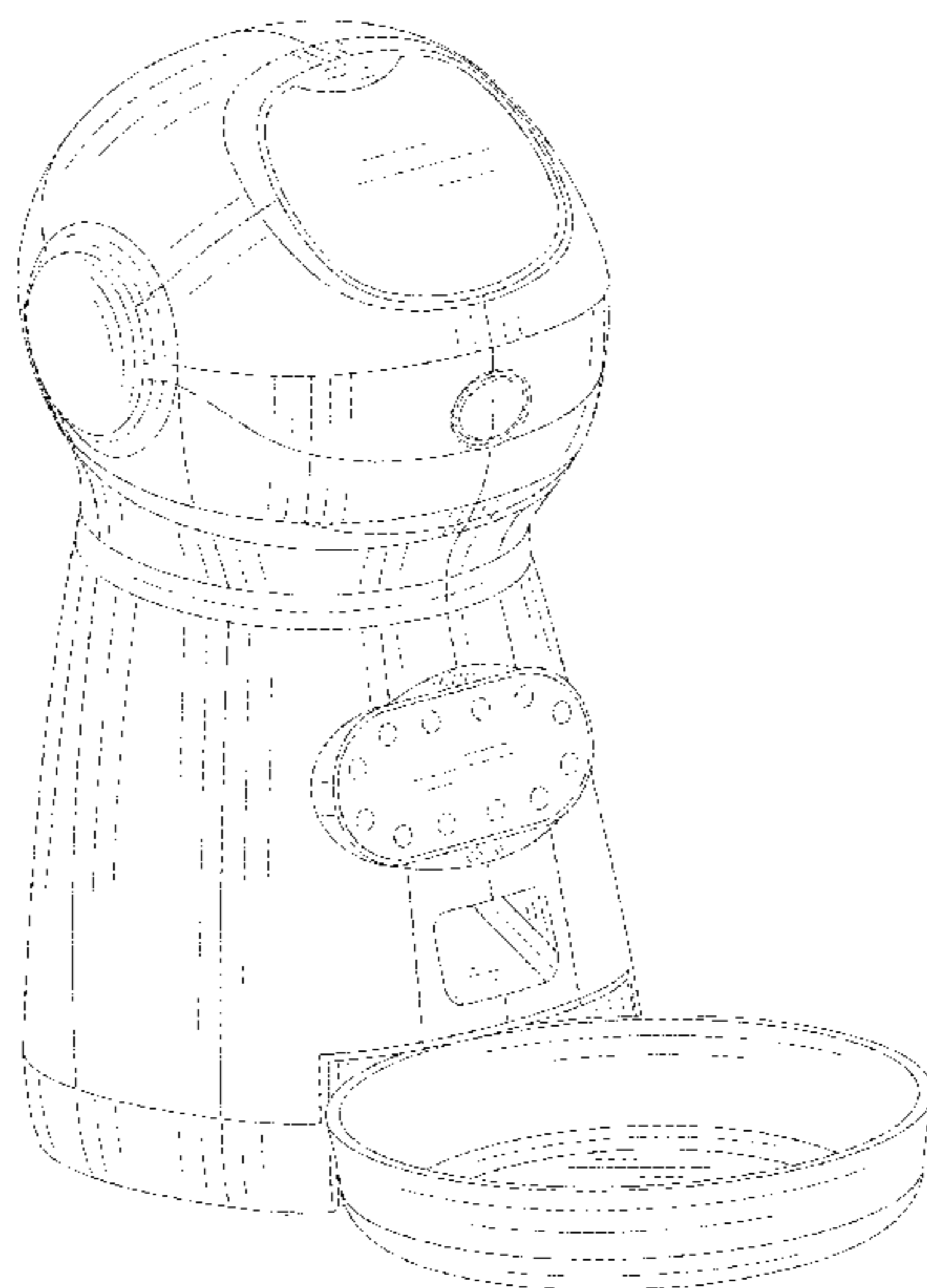
(57) **CLAIM**

The ornamental design for an automatic feeding device for pets, as shown and described.

**DESCRIPTION**

FIG. 1 is a front elevational view of an automatic feeding device for pets showing my new design; FIG. 2 is a rear elevational view thereof; FIG. 3 is a left side view thereof; FIG. 4 is a right side view thereof; FIG. 5 is a top plan view thereof; FIG. 6 is a bottom plan view thereof; FIG. 7 is a top, front and left side perspective view thereof; FIG. 8 is a top, front and right side perspective view thereof; and, FIG. 9 is a bottom, rear and right side perspective view thereof. The broken lines in the drawings illustrate portions of the automatic feeding device for pets which form no part of the claimed design.

**1 Claim, 9 Drawing Sheets**



(58) **Field of Classification Search**  
 CPC .... 11/0005; B05B 11/001; C02F 1/003; C02F  
 1/283; C02F 2307/02  
 See application file for complete search history.

(56) **References Cited**

U.S. PATENT DOCUMENTS

D371,643 S \* 7/1996 Lillelund ..... D30/122  
 D450,788 S \* 11/2001 Kawasaki ..... D21/578  
 D549,756 S \* 8/2007 Park ..... D15/199  
 D563,605 S \* 3/2008 Morris ..... D30/121  
 D572,239 S \* 7/2008 Hoehn ..... D14/218  
 D579,035 S \* 10/2008 Kim ..... B25J 11/008  
 D581,197 S \* 11/2008 Kassenaar ..... D7/306  
 7,720,572 B2 \* 5/2010 Ziegler ..... G16H 20/00  
 700/245  
 D635,603 S \* 4/2011 Paz Rodriguez ..... D15/199  
 D666,049 S \* 8/2012 Struzka ..... D7/306  
 D685,438 S \* 7/2013 Fan ..... D21/578  
 D710,953 S \* 8/2014 Katsutani ..... D21/578  
 D731,124 S \* 6/2015 Shin ..... D30/122  
 D746,886 S \* 1/2016 Breazeal ..... D15/199  
 D761,894 S \* 7/2016 Ho ..... D15/199  
 D793,145 S \* 8/2017 Huang ..... D7/306  
 D809,040 S \* 1/2018 Webb, II ..... D15/199  
 D810,490 S \* 2/2018 Cha ..... D7/306  
 D813,285 S \* 3/2018 Wei ..... D15/199  
 D820,334 S \* 6/2018 Lee ..... D15/199  
 D822,292 S \* 7/2018 Hua ..... D30/122  
 D822,740 S \* 7/2018 Tsai ..... D15/199  
 D822,770 S \* 7/2018 Hsiao ..... D21/578  
 D825,010 S \* 8/2018 Osentoski ..... D21/578  
 D835,169 S \* 12/2018 Morisawa ..... D15/199  
 D835,356 S \* 12/2018 Xie ..... D30/122  
 D835,693 S \* 12/2018 Lee ..... D15/199  
 D836,690 S \* 12/2018 Kim ..... D15/199  
 D838,758 S \* 1/2019 Kymm ..... D15/199  
 D840,115 S \* 2/2019 Nieves ..... D30/122  
 D840,453 S \* 2/2019 Yoo ..... D15/199  
 D840,618 S \* 2/2019 Kim ..... D32/21

D840,620 S \* 2/2019 Kim ..... D32/21  
 D842,353 S \* 3/2019 Lee ..... D15/199  
 D843,665 S \* 3/2019 Zeng ..... D30/122  
 D844,258 S \* 3/2019 Xu ..... D30/122  
 D851,148 S \* 6/2019 Wang ..... D15/199  
 D852,860 S \* 7/2019 Lee ..... D15/199  
 D852,861 S \* 7/2019 Lee ..... D15/199  
 D855,094 S \* 7/2019 Li ..... D15/199  
 D866,627 S \* 11/2019 Yun ..... D15/199  
 D867,678 S \* 11/2019 Wu ..... D30/122  
 D868,907 S \* 12/2019 Liu ..... D21/578  
 D876,022 S \* 2/2020 Hua ..... D30/122  
 D877,788 S \* 3/2020 Yun ..... D15/199  
 D878,490 S \* 3/2020 Hayashi ..... D21/578  
 D879,853 S \* 3/2020 Baba ..... D15/199  
 D881,249 S \* 4/2020 Kim ..... D15/199  
 D881,250 S \* 4/2020 Yao ..... D15/199  
 D883,402 S \* 5/2020 Lee ..... D21/578  
 D884,986 S \* 5/2020 Chen ..... D30/122  
 D891,496 S \* 7/2020 Okawa ..... D15/199  
 D892,233 S \* 8/2020 Miao ..... D21/578  
 D894,248 S \* 8/2020 Kim ..... D15/199  
 D896,291 S \* 9/2020 Xing ..... D15/199  
 D907,305 S \* 1/2021 Wang ..... D30/122  
 D907,306 S \* 1/2021 Tang ..... D30/122  
 D916,161 S \* 4/2021 Michaelian ..... D15/199  
 2007/0192910 A1 \* 8/2007 Vu ..... B25J 19/06  
 700/245  
 2007/0193524 A1 \* 8/2007 Turner ..... A01K 5/02  
 119/51.02  
 2011/0226187 A1 \* 9/2011 Bertsch ..... A01K 5/0114  
 119/61.55  
 2016/0007564 A1 \* 1/2016 Ma ..... A01K 5/0114  
 119/57.1  
 2016/0059408 A1 \* 3/2016 Isobe ..... B25J 9/162  
 700/253  
 2016/0295836 A1 \* 10/2016 Cheng ..... A01K 15/025  
 2018/0199541 A1 \* 7/2018 Huang ..... A01K 5/0114  
 2018/0303062 A1 \* 10/2018 Simard ..... A01K 15/021  
 2019/0059319 A1 \* 2/2019 Hsiao ..... A01K 5/0114  
 2019/0059322 A1 \* 2/2019 Xu ..... A01K 5/0225  
 2020/0093092 A1 \* 3/2020 Soug ..... B25J 9/1669

\* cited by examiner

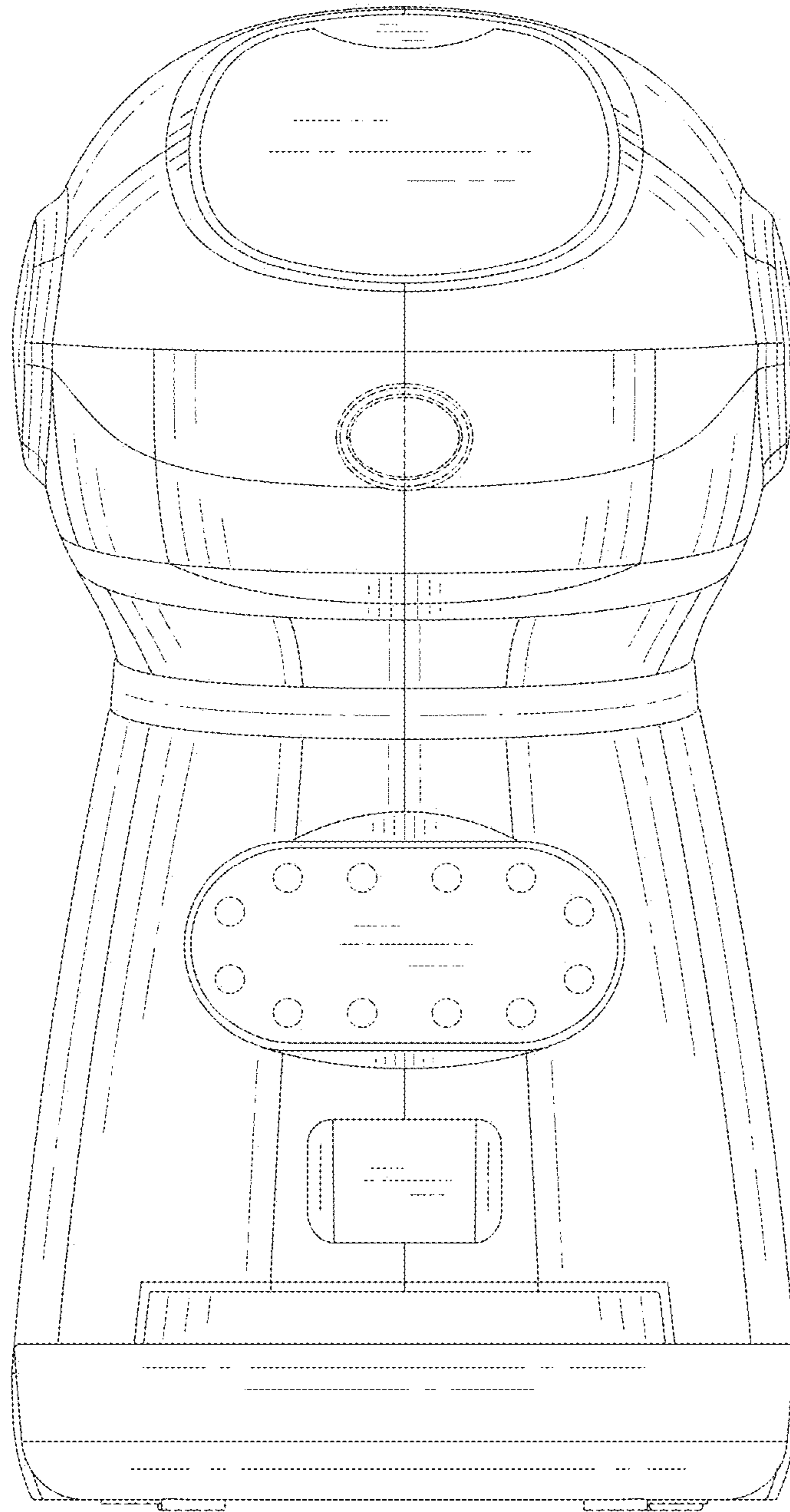


Fig. 1

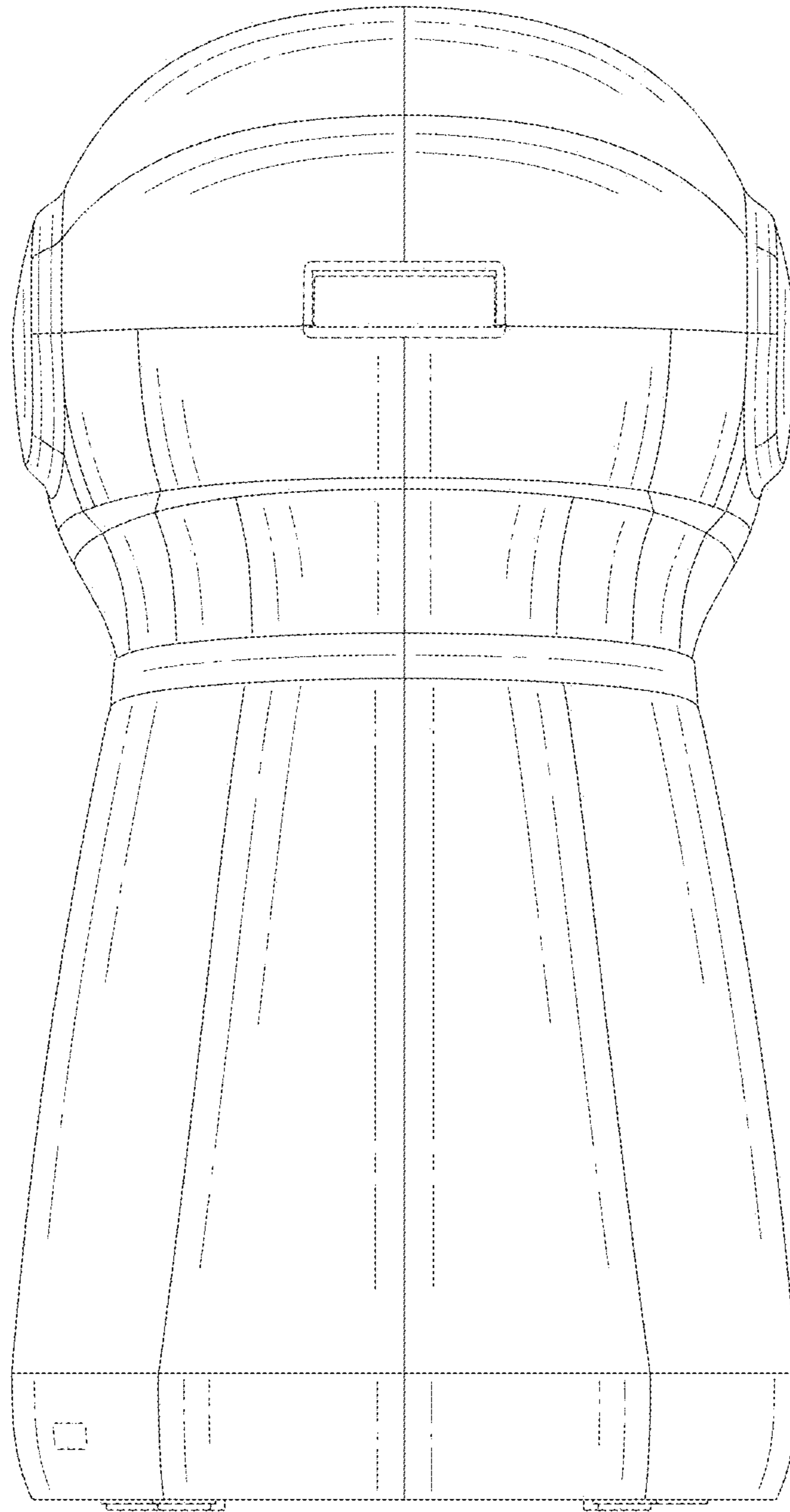


Fig. 2

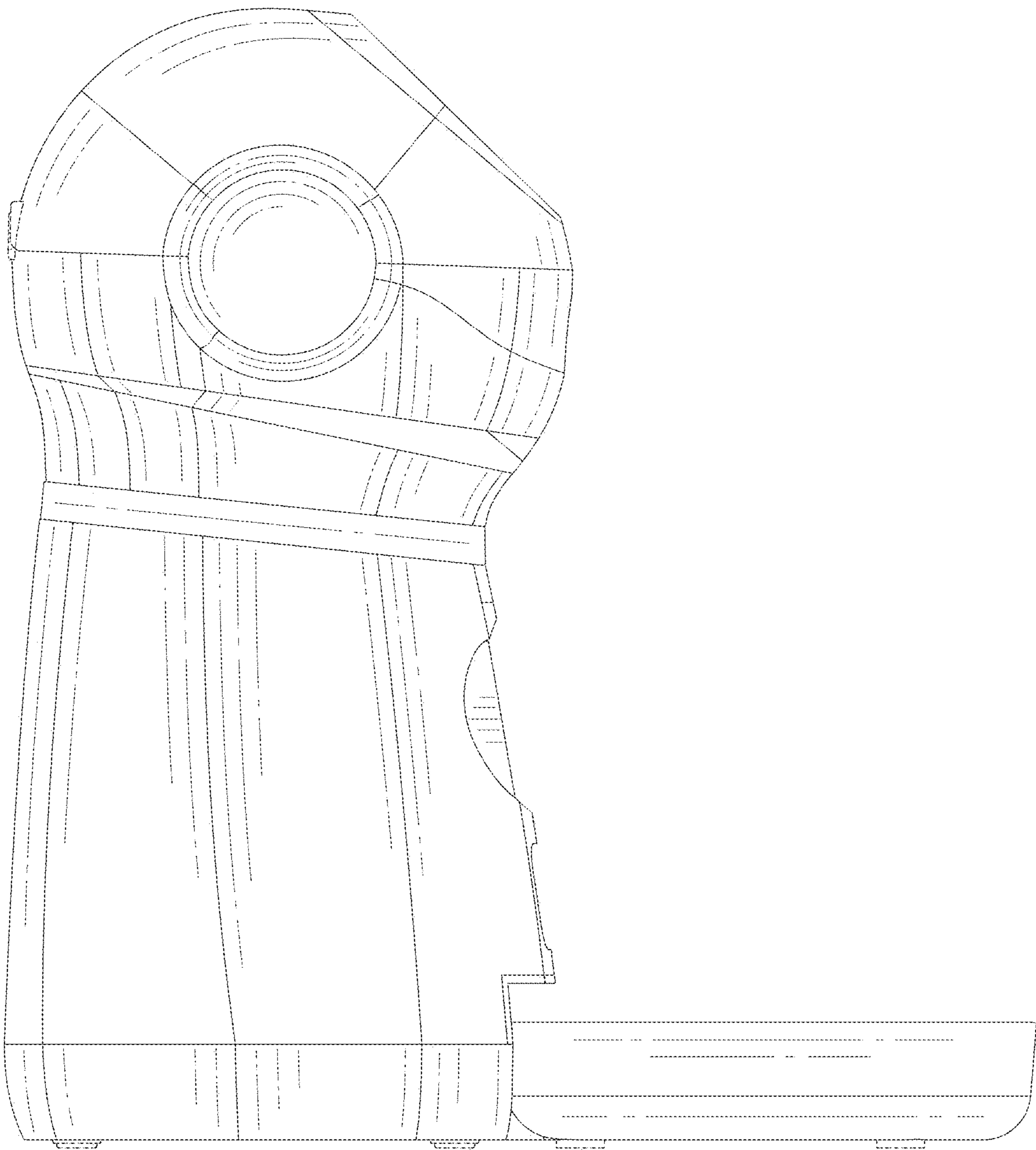


Fig. 3

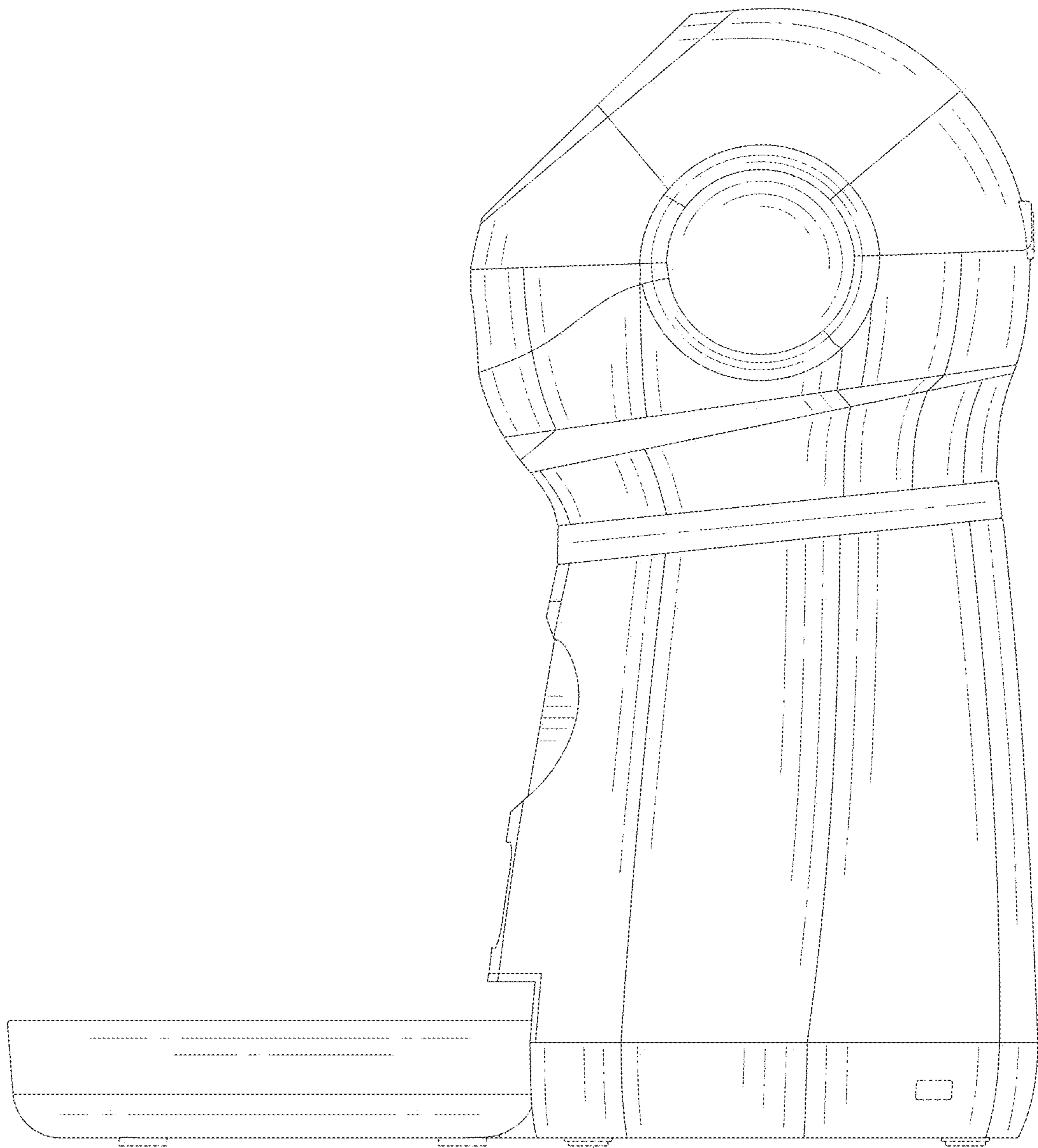


Fig. 4

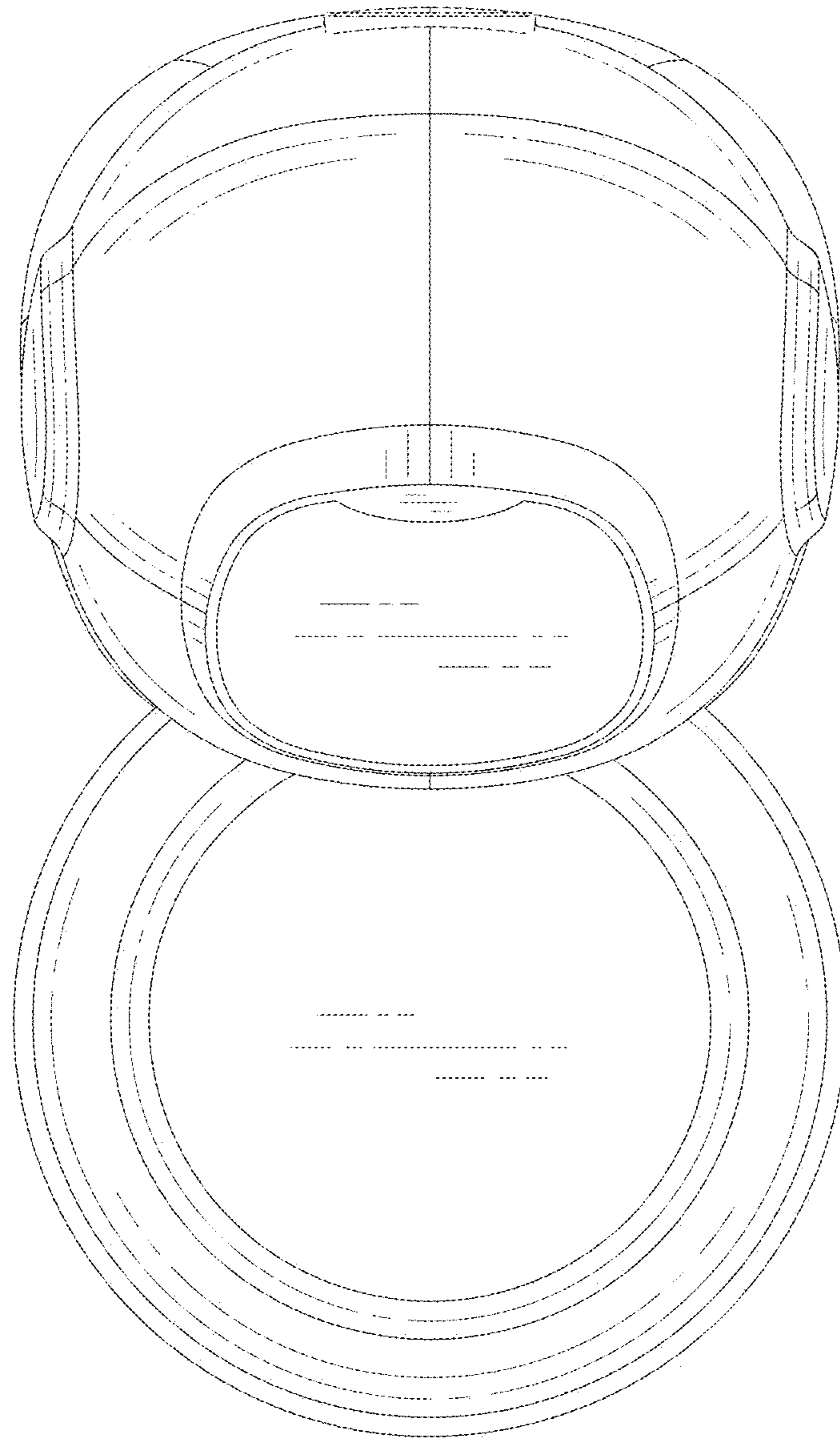


Fig. 5

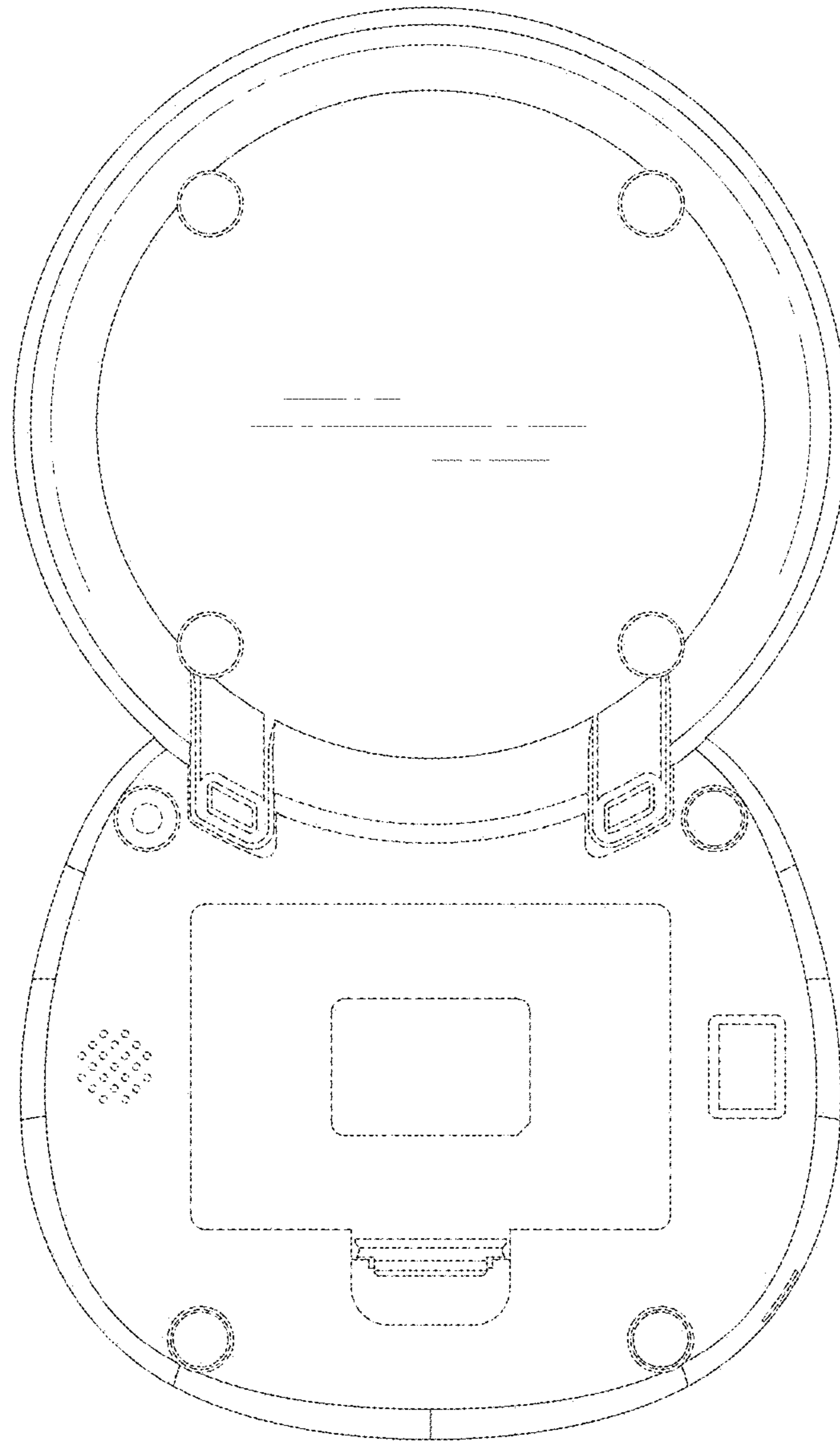


Fig. 6



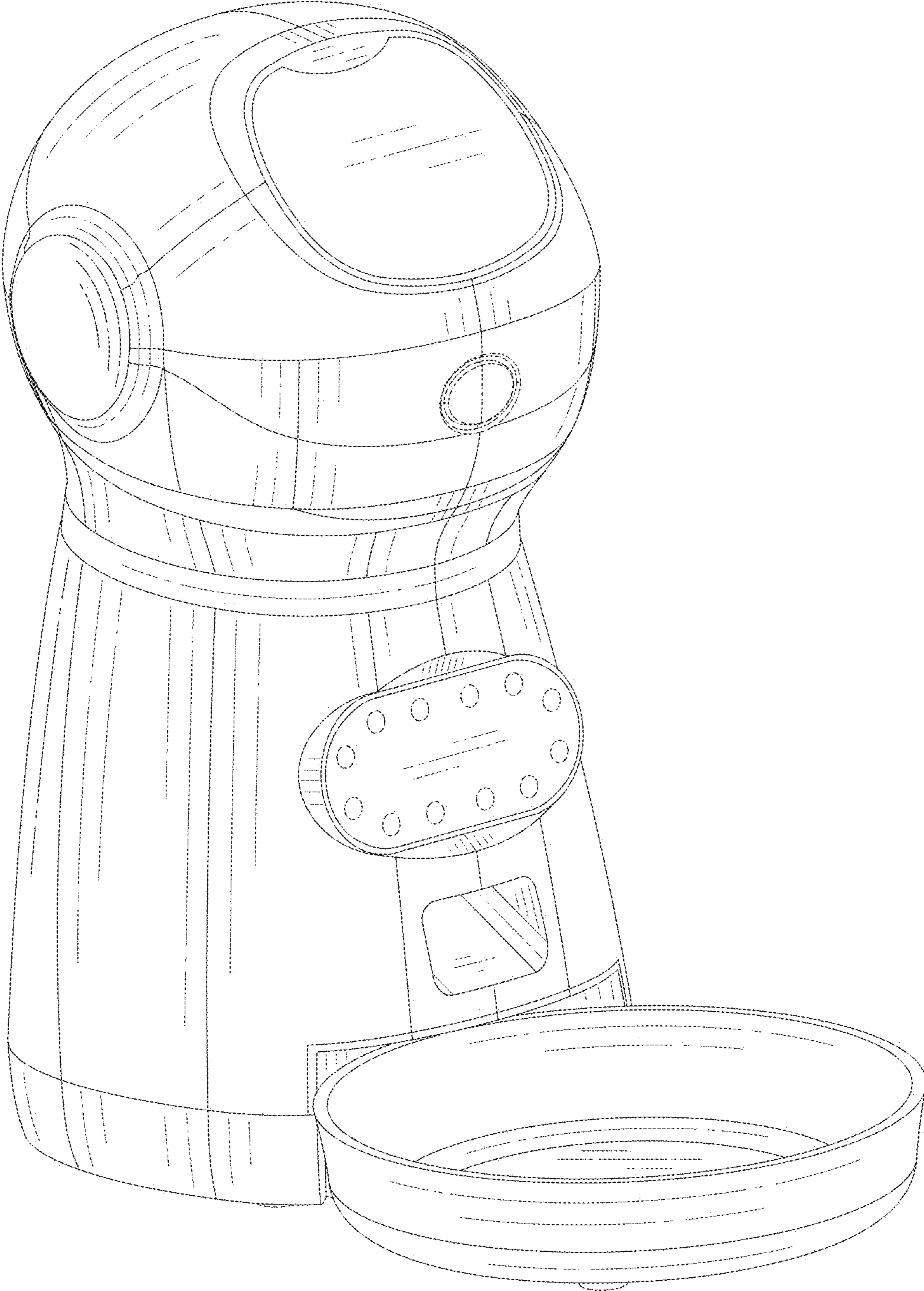


Fig. 7

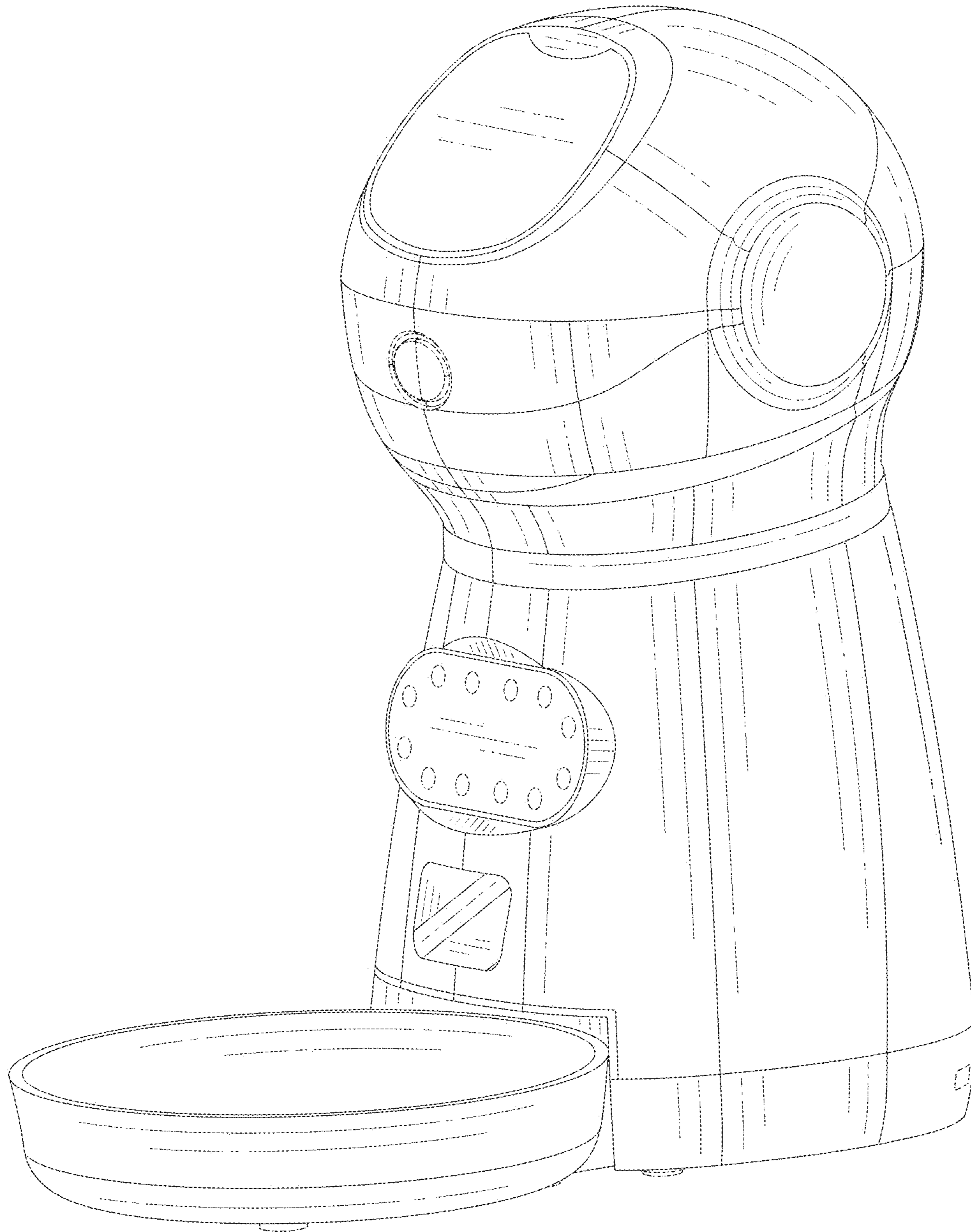


Fig. 8

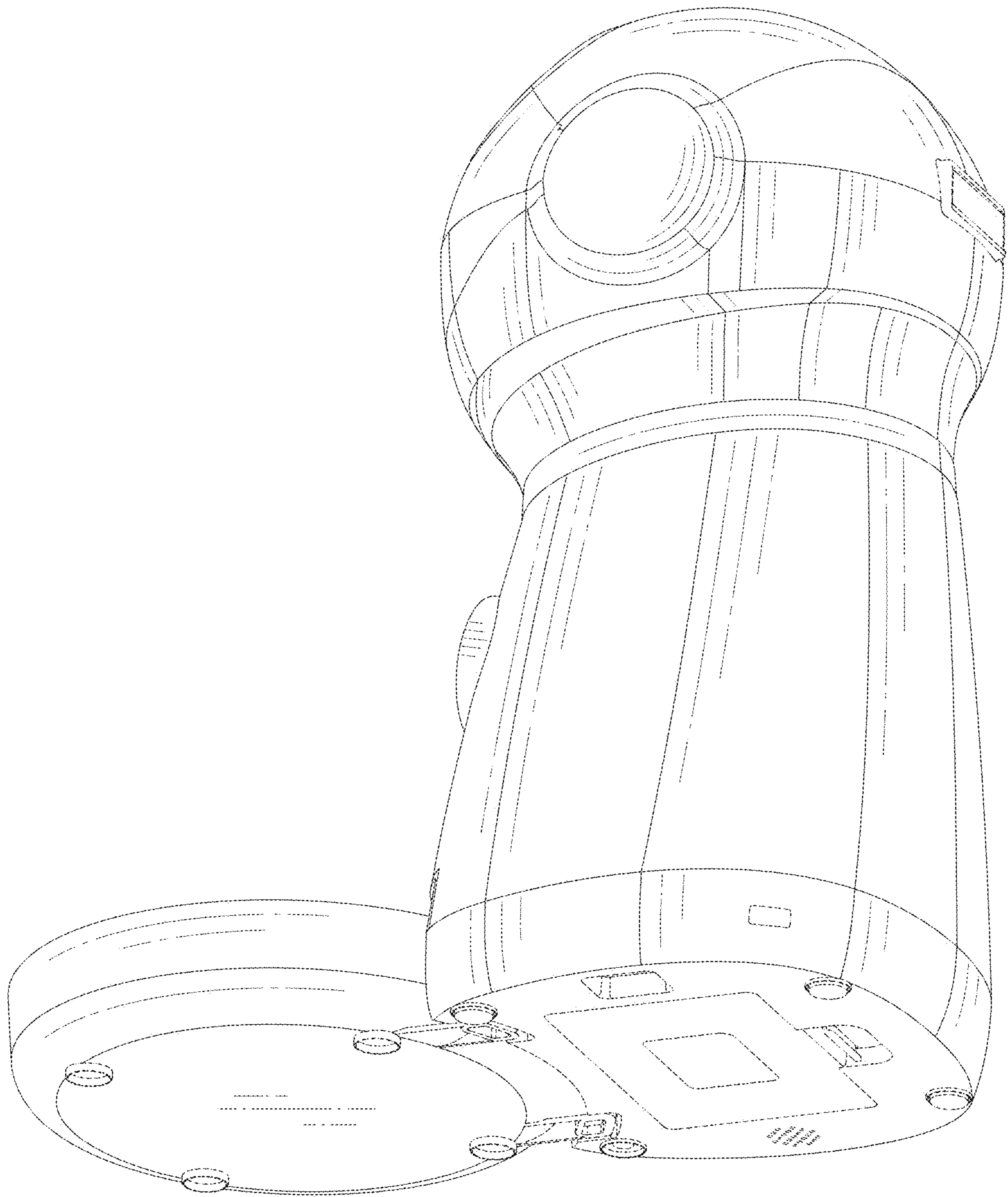


Fig. 9