



US00D932109S

(12) **United States Design Patent** (10) **Patent No.:** **US D932,109 S**  
**Auston** (45) **Date of Patent:** **\*\* Sep. 28, 2021**

(54) **COUPLER FOR A FALL PROTECTION DEVICE**

(71) Applicant: **CHECKMATE LIFTING & SAFETY LTD, Kent (GB)**

(72) Inventor: **Oliver Auston, Kent (GB)**

(73) Assignee: **CHECKMATE LIFTING & SAFETY LTD, Sittingbourne (GB)**

(\*\*) Term: **15 Years**

(21) Appl. No.: **29/698,817**

(22) Filed: **Jul. 19, 2019**

(30) **Foreign Application Priority Data**

Jan. 22, 2019 (EM) ..... 006081360-0001

(51) **LOC (13) Cl.** ..... **02-07**

(52) **U.S. Cl.**  
USPC ..... **D29/122**

(58) **Field of Classification Search**  
USPC ..... D2/627, 829, 838, 839, 861, 879, 882;  
D3/213, 214; D5/99; D6/333, 596;  
D8/382, 383, 385, 386, 387, 394, 395,  
D8/396; D14/205, 223; D21/662, 683,  
D21/803, 804, 805; D24/106, 151, 190;  
D29/100, 101.1, 101.2, 101.3, 101.4,  
D29/101.5, 102, 103, 104, 108, 112,  
D29/120.1, 120.2, 121.2, 122, 124  
CPC ..... A47D 5/00; A47D 5/003; A47D 5/006;  
A47D 15/00; A47D 15/001; A47D  
15/003; A47D 15/005; A47D 15/008;  
A47D 15/02; A47D 13/00; A47D 13/02;  
A47D 13/025; A61G 7/0504; A61G  
7/0526; A61F 5/37; A61F 11/04; A61F  
11/06; A61F 11/08; A61F 2011/145;  
A45B 2200/10; A45B 2200/1009; A45B  
23/00; A45B 2023/0006; A45B  
2023/0025; A45B 2023/0093; E04H  
15/02; B62B 9/14; B62B 9/142; B62B  
9/147; A62B 1/00; A62B 1/04; A62B

1/06; A62B 1/14; A62B 1/16; A62B 1/18;  
A62B 35/00; A62B 35/0006; A62B  
35/0025; A62B 35/0031; A62B 35/0037;  
A62B 35/0043; A62B 35/0068; A62B  
35/0075;

(Continued)

(56) **References Cited**

**U.S. PATENT DOCUMENTS**

D209,013 S \* 10/1967 McElroy ..... D8/383  
D309,255 S \* 7/1990 Karow, Jr. .... D22/110

(Continued)

**OTHER PUBLICATIONS**

Walmart, "Reese Towpower 0.33 lb. capacity Coupler Lock", first available Aug. 12, 2014. (<https://www.walmart.com/ip/Reese-Towpower-0-33-lb-capacity-Coupler-Lock/24087300?athcpid=24087300>) (Year: 2014).\*

(Continued)

*Primary Examiner* — April Rivas

*Assistant Examiner* — Justin A Johnson

(74) *Attorney, Agent, or Firm* — Dicke, Billig & Czaja, PLLC

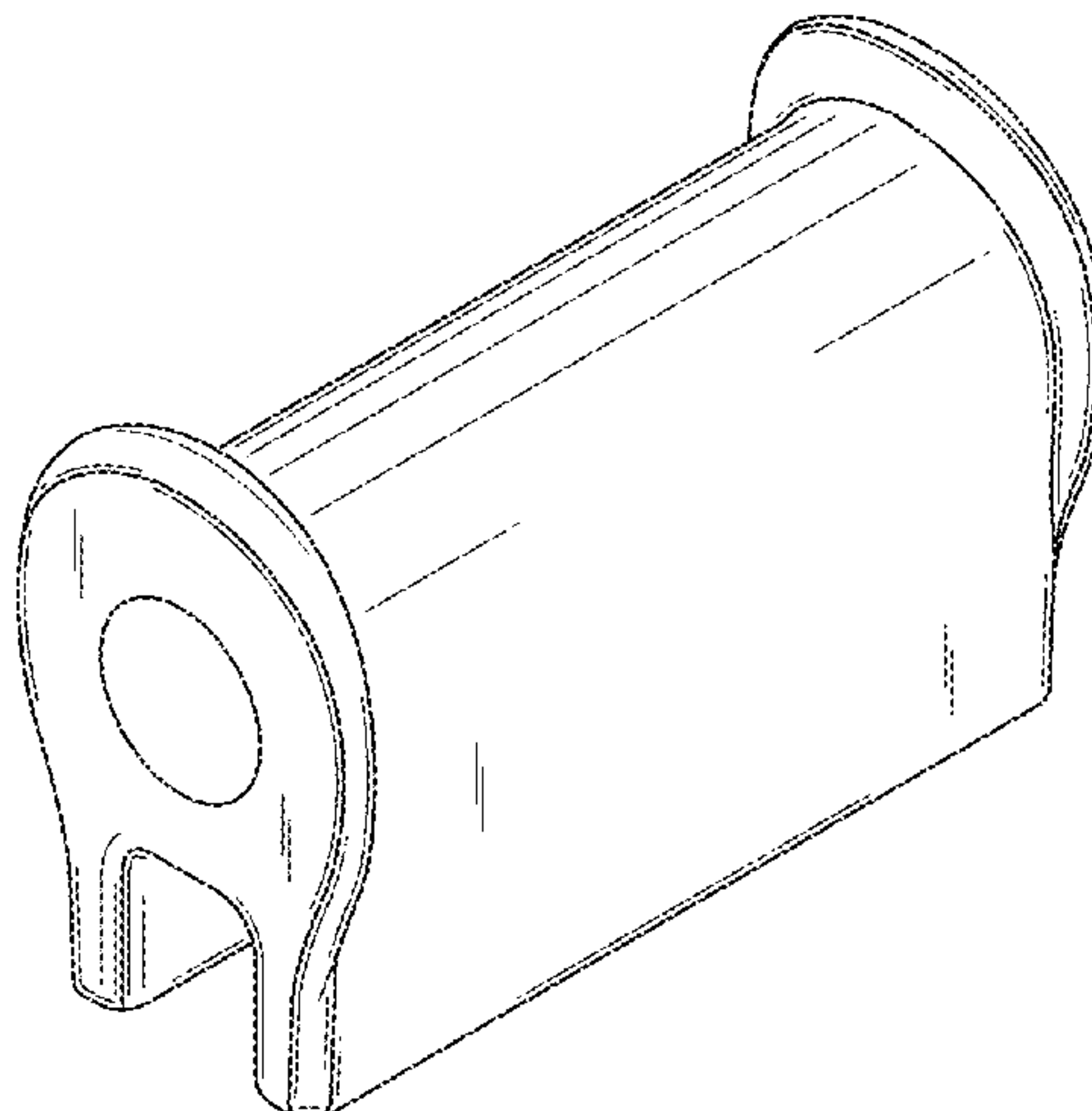
(57) **CLAIM**

The ornamental design for a couplers for a fall protection device, as shown and described herein.

**DESCRIPTION**

FIG. 1 is a perspective front view of a coupler for a fall protection device;  
FIG. 2 is a left side view thereof;  
FIG. 3 is a top view thereof;  
FIG. 4 is a bottom view thereof; and,  
FIG. 5 is a front view thereof.

(Continued)



The right side view is identical to the left side view and the rear view is identical to the front view. Therefore, the right side view and the rear view are not shown.

**1 Claim, 5 Drawing Sheets**

(58) **Field of Classification Search**

CPC ... A62B 35/0081; A62B 35/0018; A41F 9/00; A41F 9/002; A41F 9/025; A63B 21/00178; A63B 21/00181; A63B 21/06; A63B 21/065; A63B 21/4001; A63B 21/4007; A63B 21/4009; A63B 21/4025; B63C 9/00; A41D 2400/482; A41D 2400/48; A41D 13/01; A41D 2600/104; A41D 13/015; A41D 13/0151; A41D 13/05; A41D 13/0518; A41D 13/0531; A41D 1/002; A41D 13/0012; A41D 13/0525; A61H 2205/027; F41H 1/00; F41H 1/02; F41H 5/013; B32B 2571/00; B32B 2571/02; A44C 5/0007; B63B 32/22; B63B 32/30; B63B 32/40; B63B 32/45; B63B 32/73; B63B 32/70; B29C 44/3476; H04R 1/1016; H04R 1/1025; H04R 1/1041; A47C 7/66

See application file for complete search history.

(56)

**References Cited**

U.S. PATENT DOCUMENTS

D479,798	S	*	9/2003	Wall	.....	D25/119
D479,983	S	*	9/2003	Wall	.....	D25/119
D560,482	S	*	1/2008	Casteel	.....	D8/395
D576,025	S	*	9/2008	Mazzocco	.....	D8/382
D583,655	S	*	12/2008	Mazzocco	.....	D8/382
D621,253	S	*	8/2010	Heindl	.....	D8/382
D663,494	S	*	7/2012	Milliff	.....	D30/199
D836,185	S	*	12/2018	Lippka	.....	D23/262
10,232,199	B2		3/2019	Perner et al.		
D899,241	S	*	10/2020	Gridley	.....	D8/396
D901,285	S	*	11/2020	Nguyen	.....	A62B 35/0018 D8/394
2020/0230445	A1	*	7/2020	Auston	.....	A62B 35/0018

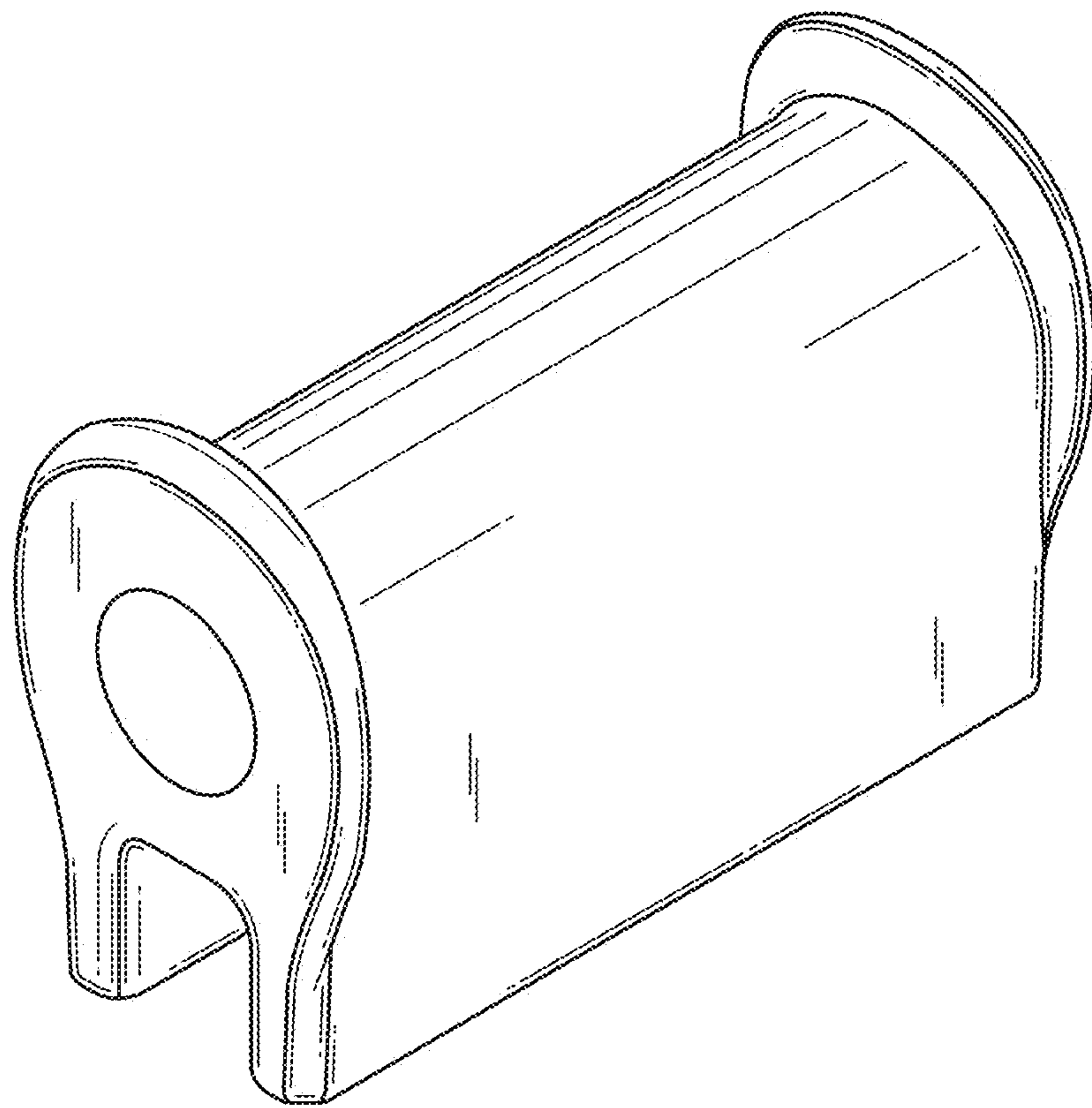
OTHER PUBLICATIONS

Amazon, "CZC Auto Black Trailer Hitch Coupler Lock", first available Jul. 18, 2019. (<https://www.amazon.com/CZC-AUTO-Black-Trailer-Coupler/dp/B07VGX5494>) (Year: 2019).\*

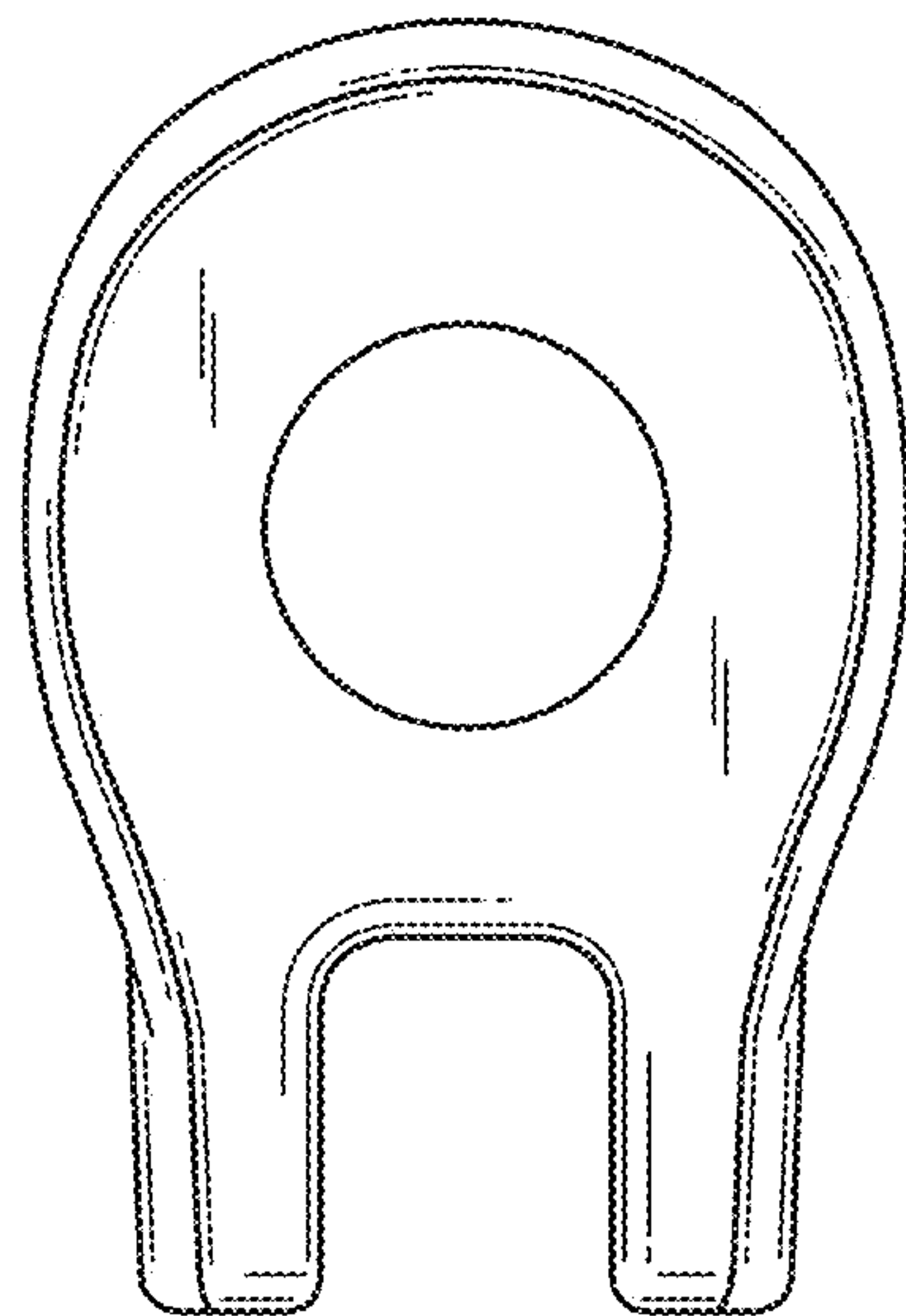
Zips, "STECK Tie Rod Coupler", first accessed May 14, 2021. (<https://zips.com/parts-detail/steck-tie-rod-coupler-trc1>) (Year: 2021).\*

AJK Offroad, "Weld on D-Ring Shackle", first available Jan. 8, 2021. (<https://ajkoffroad.com/shop/weld-on-d-ring-shackle-clevis-tab-mount/>) (Year: 2021).\*

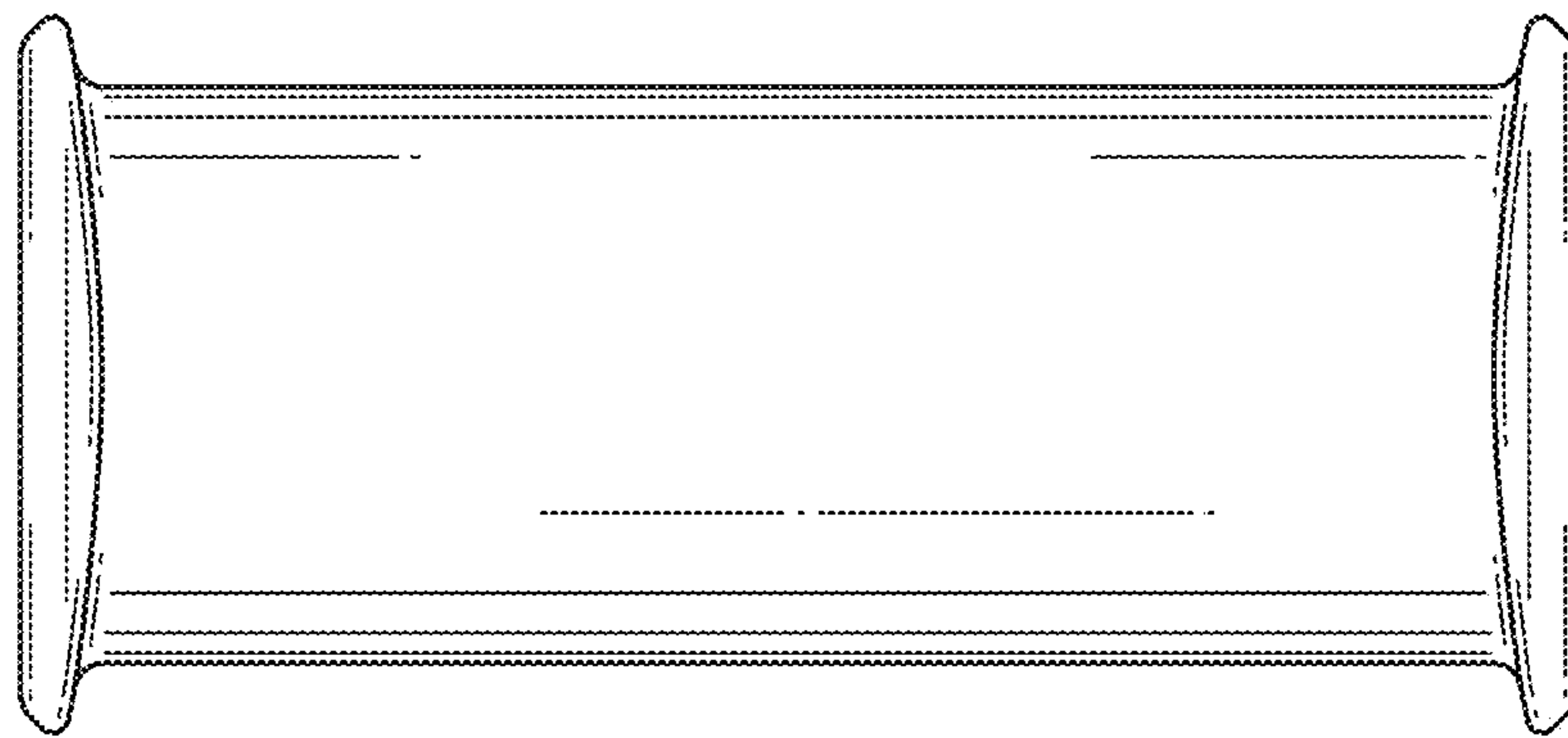
\* cited by examiner



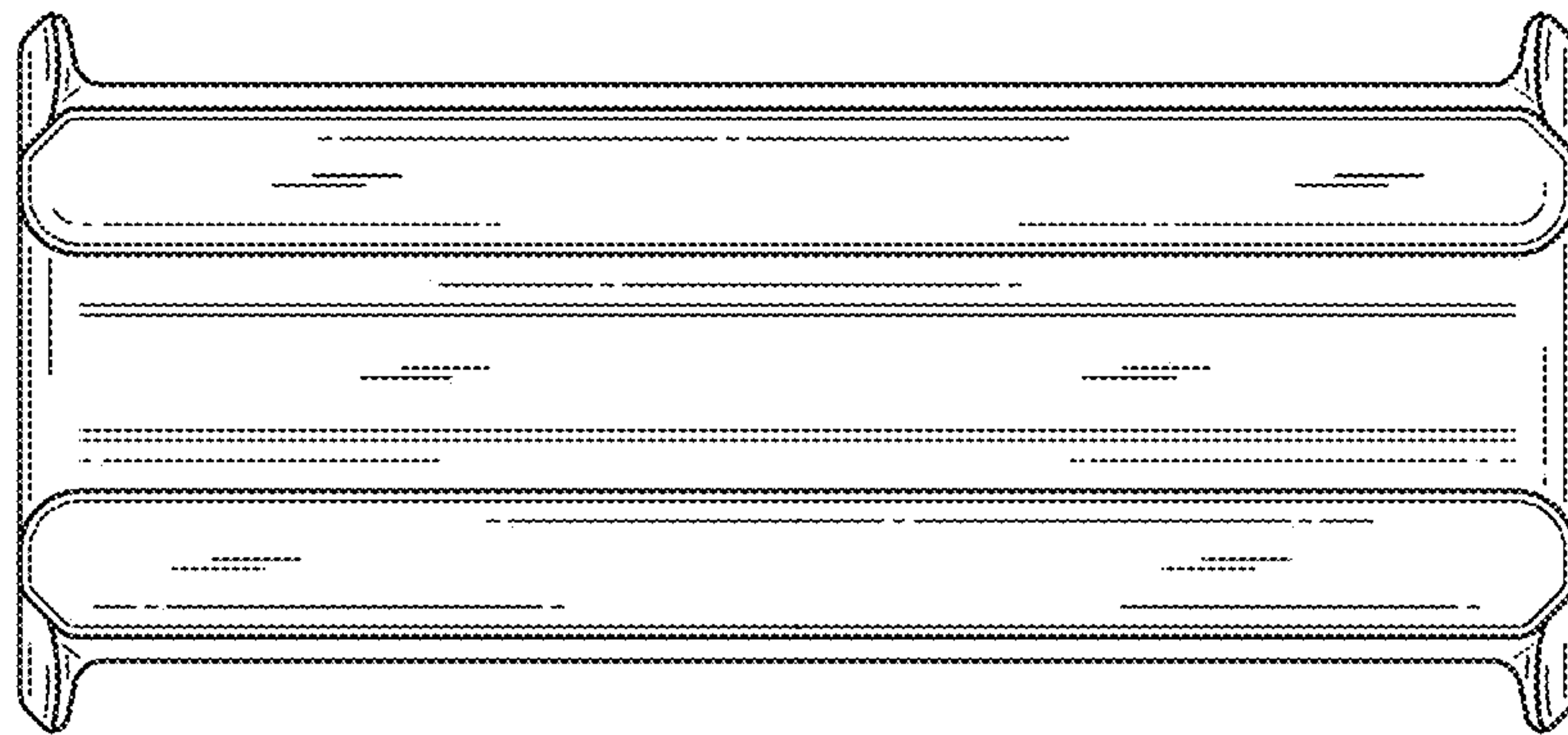
**Fig. 1**



**Fig. 2**

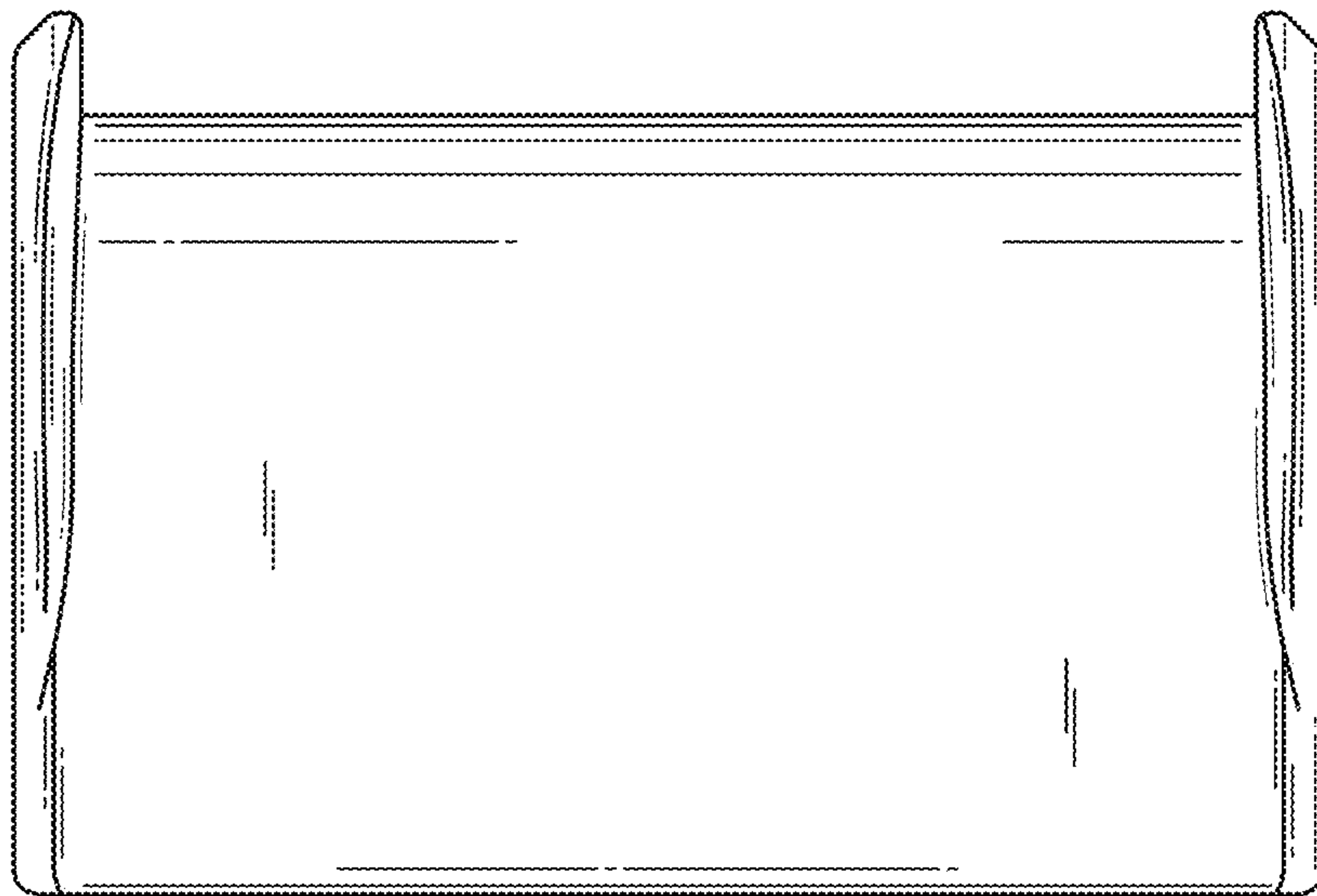


**Fig. 3**



**Fig. 4**





**Fig. 5**