



US00D932108S

(12) **United States Design Patent**
Pahlmeyer et al.

(10) **Patent No.:** **US D932,108 S**

(45) **Date of Patent:** **** Sep. 28, 2021**

(54) **ATHLETIC HELMET FACEMASK**

(71) Applicant: **VICIS IP, LLC**, New York, NY (US)

(72) Inventors: **Marie Pahlmeyer**, Seattle, WA (US);
Travis E. Glover, Seattle, WA (US);
Jason Neubauer, Seattle, WA (US);
Kurt V. Fischer, Seattle, WA (US);
Noah Lanphear, Seattle, WA (US);
Andre Stone, Seattle, WA (US); **Adam Kollgaard**, Seattle, WA (US); **Kayla Fukuda**, Seattle, WA (US)

(73) Assignee: **VICIS IP, LLC**, New York, NY (US)

(**) Term: **15 Years**

(21) Appl. No.: **29/675,796**

(22) Filed: **Jan. 4, 2019**

(51) **LOC (13) Cl.** **29-03**

(52) **U.S. Cl.**
USPC **D29/111**

(58) **Field of Classification Search**
USPC D29/105–106, 111, 122
CPC A63B 2071/105; A63B 71/10; A63B 2243/007; A42B 3/20
See application file for complete search history.

(56) **References Cited**

U.S. PATENT DOCUMENTS

| | | | | |
|--------------|---------|---------------|-------|---------|
| D461,152 S * | 8/2002 | Schmitt | | D29/106 |
| D587,852 S * | 3/2009 | Nimmons | | D29/106 |
| D590,106 S * | 4/2009 | Nimmons | | D29/122 |
| D598,610 S * | 8/2009 | Soukup | | D29/106 |
| D704,899 S * | 5/2014 | Erb | | D29/122 |
| D718,002 S * | 11/2014 | Littrell, Jr. | | D29/106 |
| D748,346 S * | 1/2016 | Erb | | D29/122 |

| | | | | |
|-------------------|---------|----------|-------|------------|
| D758,669 S * | 6/2016 | Collette | | D29/111 |
| D764,116 S * | 8/2016 | Collette | | D29/106 |
| D767,211 S * | 9/2016 | Lamson | | D29/111 |
| D772,489 S * | 11/2016 | Lamson | | D29/111 |
| 10,092,054 B2 * | 10/2018 | Williams | | A42B 3/063 |
| 10,201,743 B1 * | 2/2019 | Simpson | | A42B 3/20 |
| 10,856,600 B2 * | 12/2020 | Ide | | A42B 3/20 |
| 10,905,936 B2 * | 2/2021 | Tryner | | A63B 71/10 |
| 2009/0126063 A1 * | 5/2009 | Brown | | A42B 3/20 |
| | | | | 2/12 |
| 2014/0223643 A1 * | 8/2014 | Infusino | | A63B 71/10 |
| | | | | 2/413 |
| 2014/0223644 A1 * | 8/2014 | Bologna | | A42B 3/20 |
| | | | | 2/414 |
| 2020/0046058 A1 * | 2/2020 | Santiago | | A42B 3/20 |

* cited by examiner

Primary Examiner — Robert A Delehanty

(74) *Attorney, Agent, or Firm* — Fish & Richardson P.C.

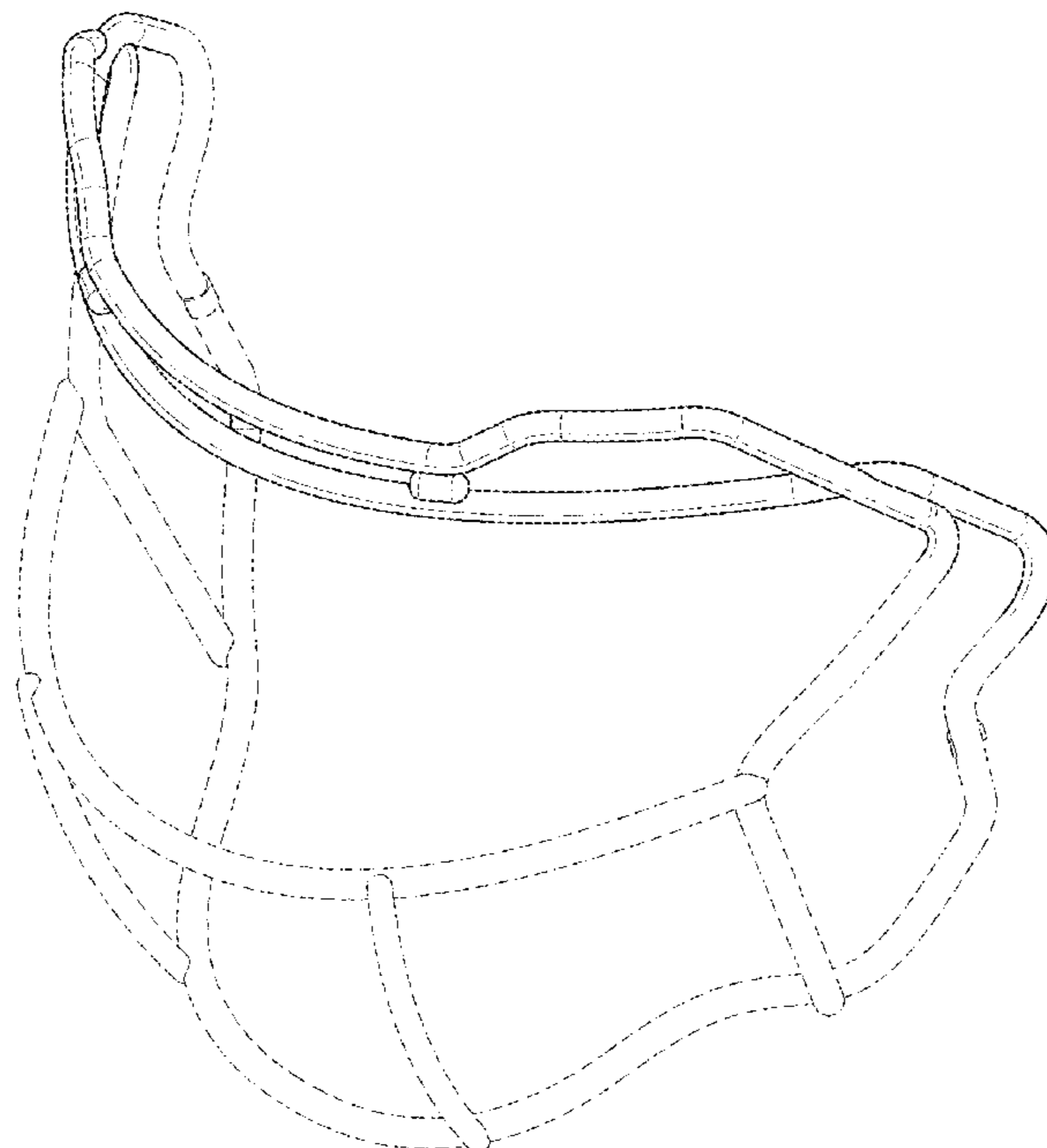
(57) **CLAIM**

The ornamental design for an athletic helmet facemask, as shown and described.

DESCRIPTION

FIG. 1 is a front-perspective view of an athletic helmet facemask showing our new design;
FIG. 2 is a front view thereof;
FIG. 3 is a rear view thereof;
FIG. 4 is a top view thereof;
FIG. 5 is a bottom view thereof; and,
FIG. 6 is a right-side view thereof, the left-side view (not shown) being a mirror image.
The tangent lines illustrate the character and contour of the three-dimensional aspects of the athletic helmet facemask. The environmental structure shown in broken lines forms no part of the claimed design.

1 Claim, 6 Drawing Sheets



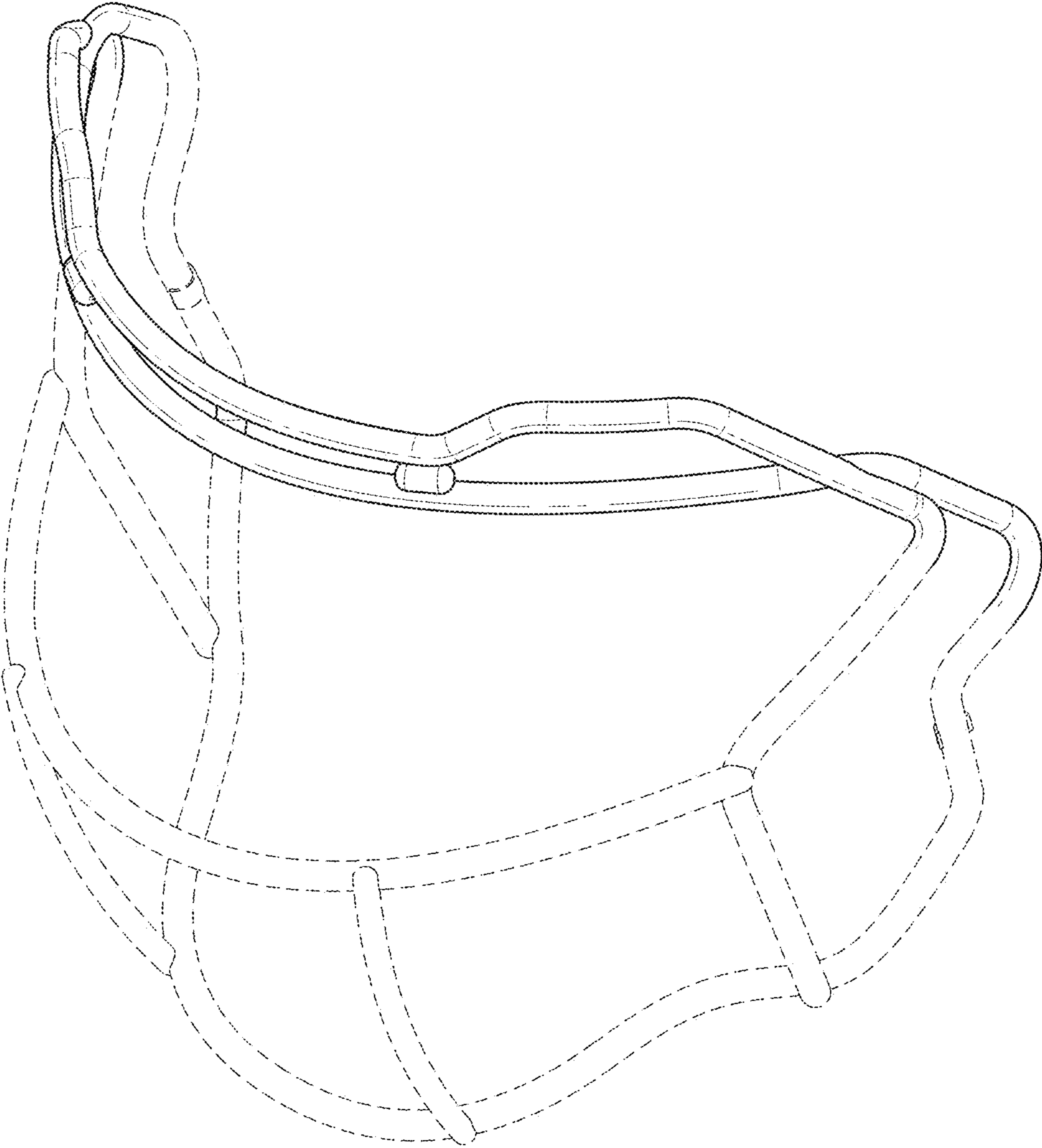


FIG. 1

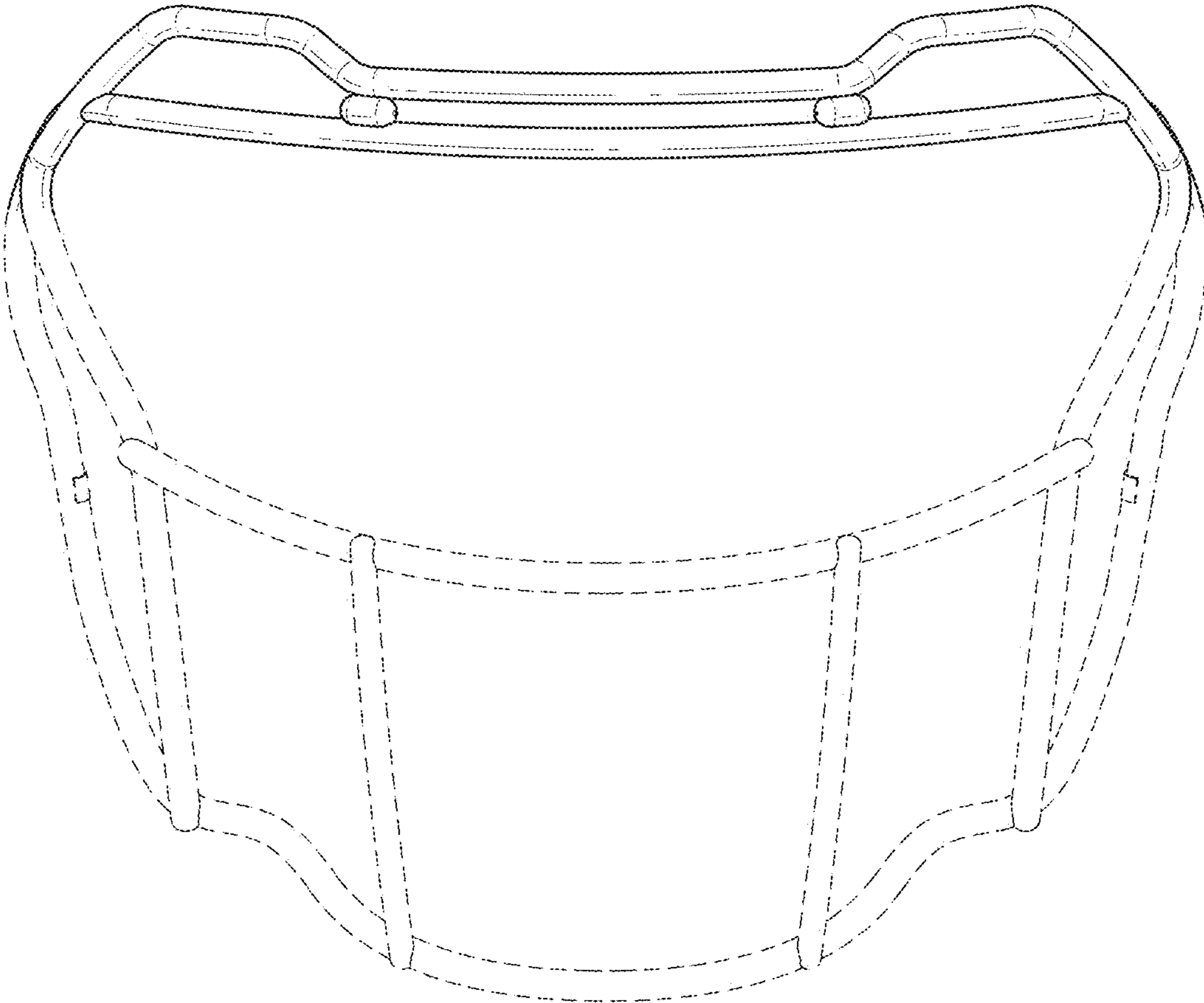


FIG. 2

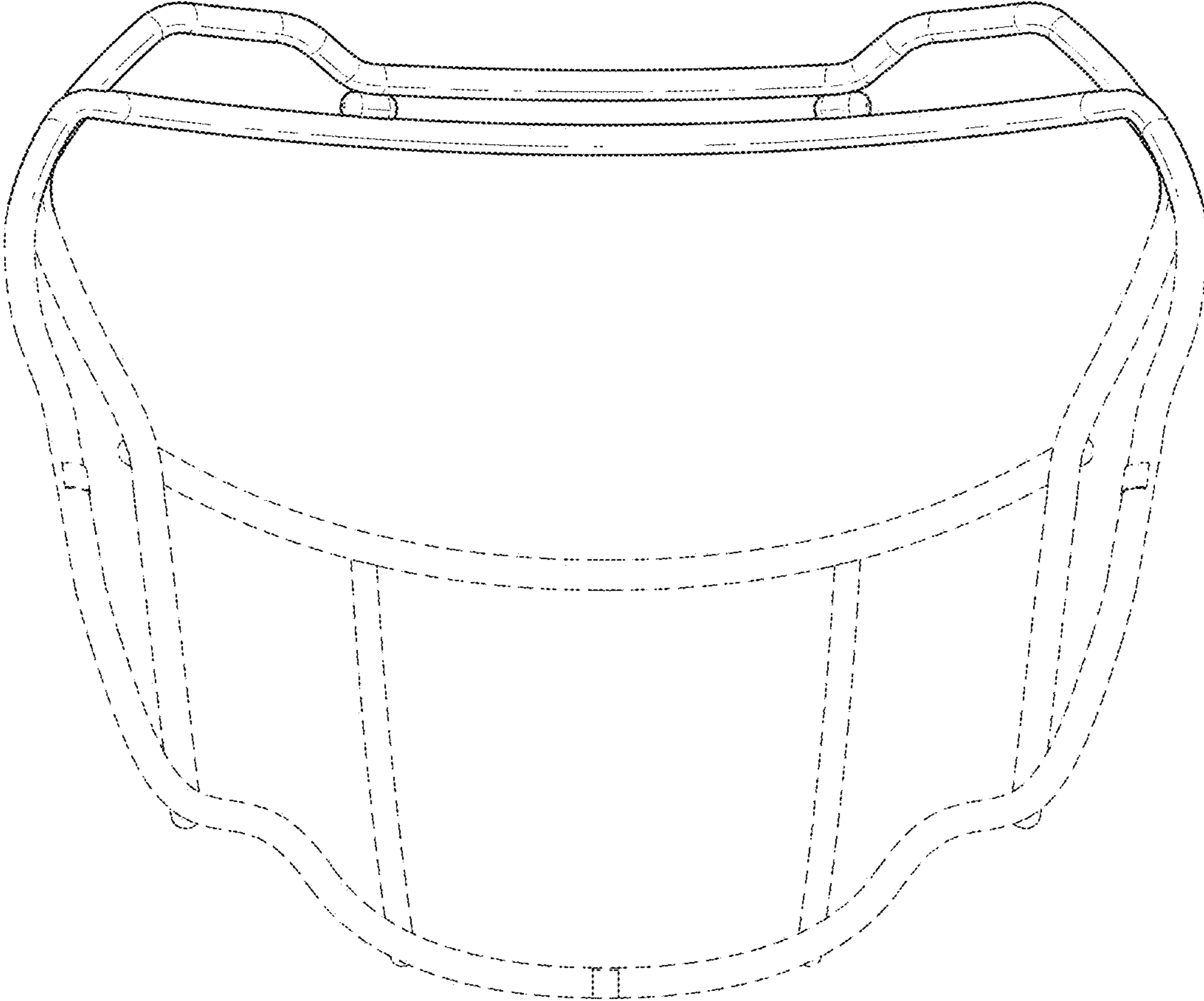


FIG. 3

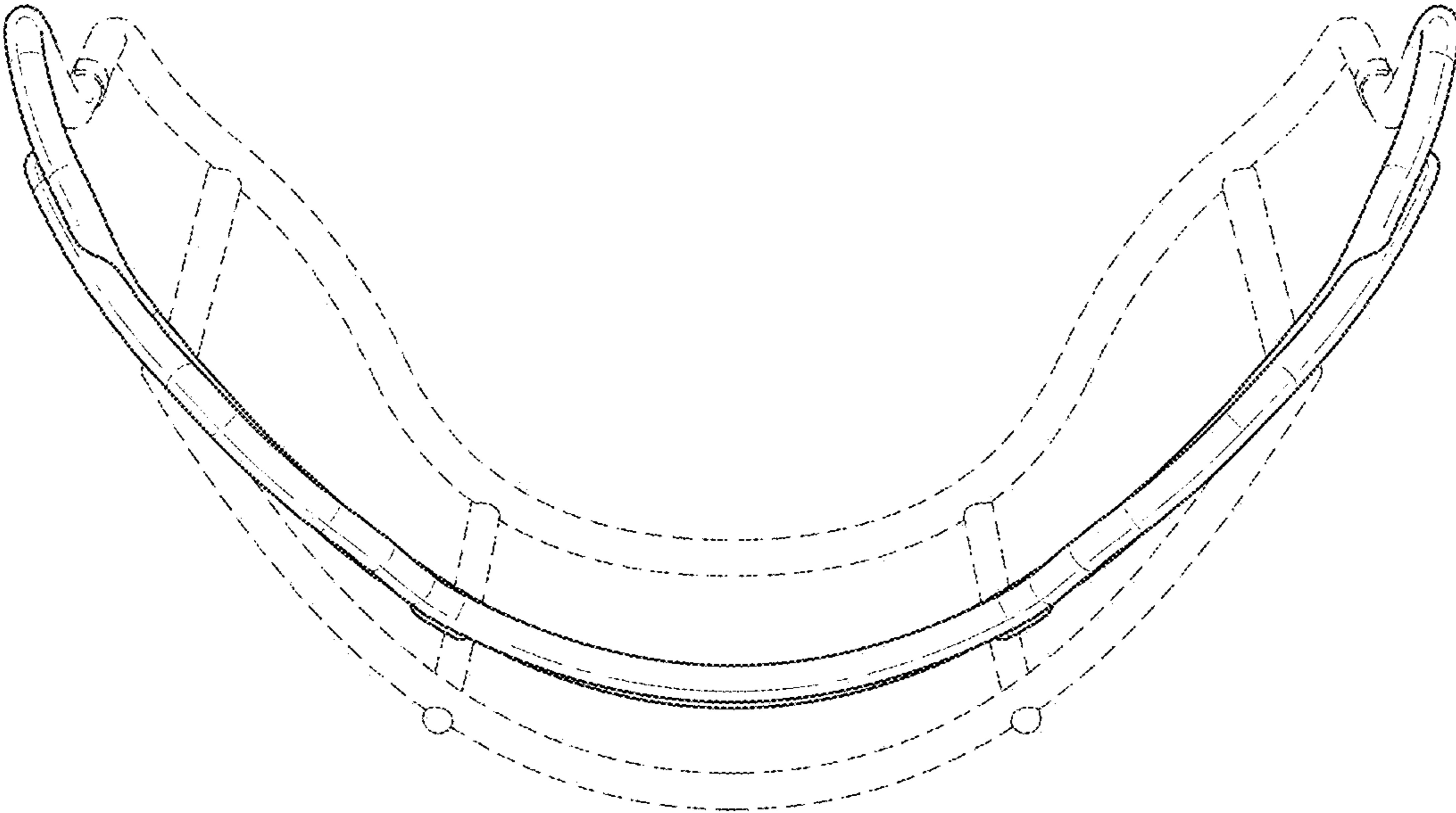


FIG. 4

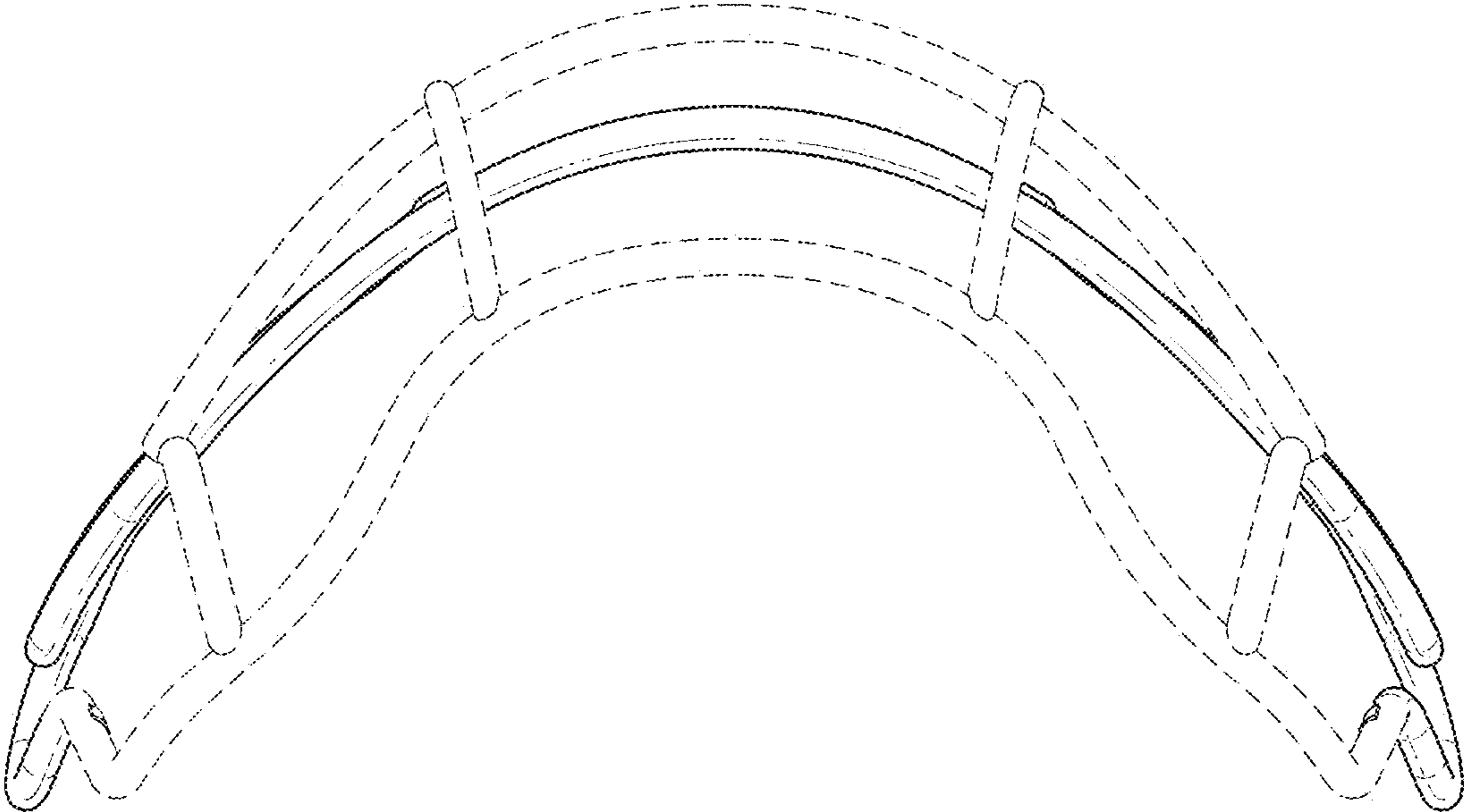


FIG. 5

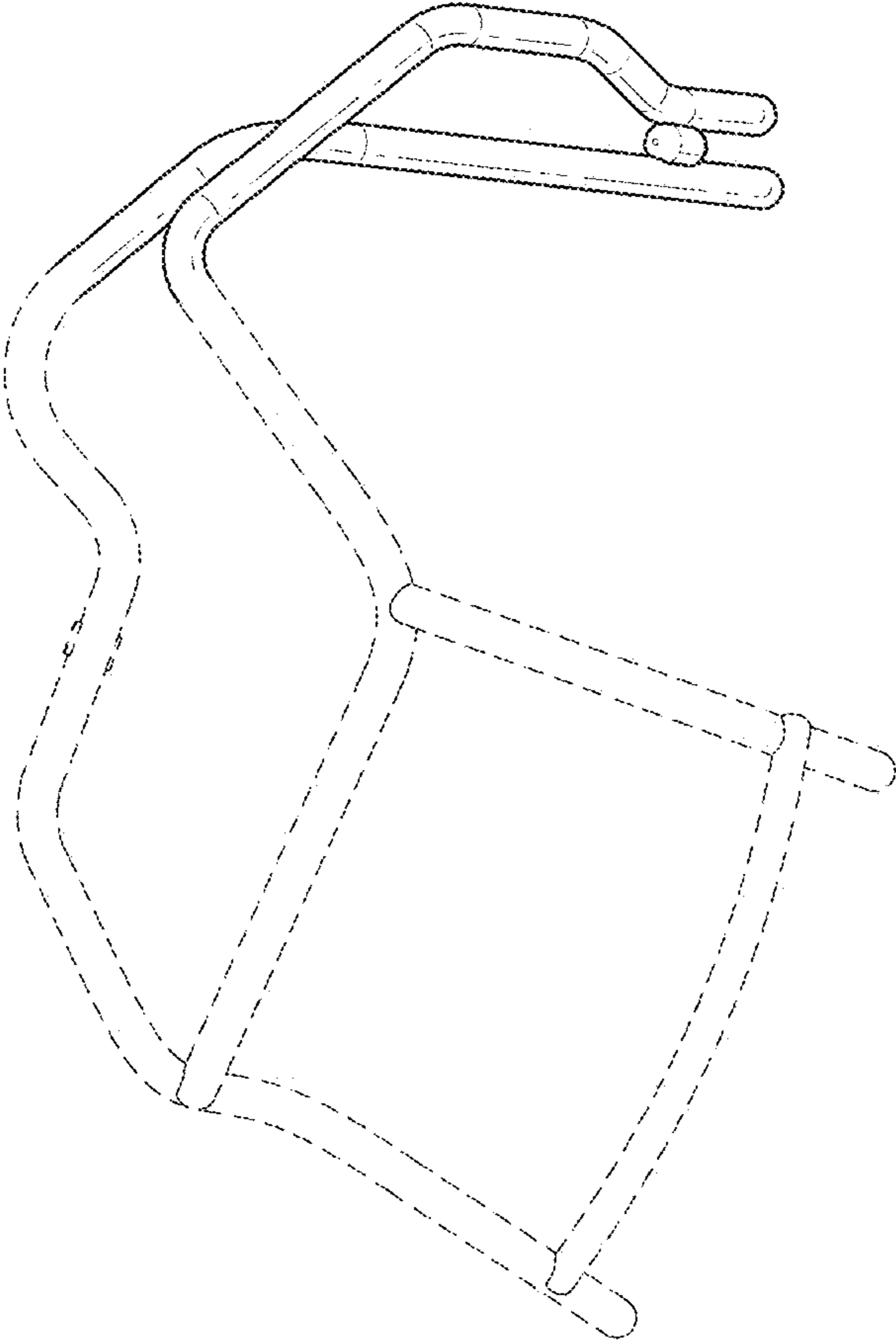


FIG. 6