



US00D932101S

(12) **United States Design Patent** (10) **Patent No.:** **US D932,101 S**  
**Davis et al.** (45) **Date of Patent:** **\*\* Sep. 28, 2021**

(54) **HAIR CURLING CASE**  
(71) Applicant: **Cali-Curl, LLC**, Dallas, TX (US)  
(72) Inventors: **Steven D. Davis**, Dallas, TX (US);  
**Kevin Hoye**, Dallas, TX (US)  
(73) Assignee: **Cali-Curl, LLC**, Dallas, TX (US)  
(\*\*) Term: **15 Years**

D692,178 S \* 10/2013 Scott ..... D28/7  
8,689,809 B2 \* 4/2014 Curry ..... A45D 19/012  
132/270  
9,339,095 B2 \* 5/2016 Kodama ..... A45D 19/012  
D785,244 S \* 4/2017 Carlucci ..... D28/37  
D788,372 S \* 5/2017 Reed ..... D28/82  
9,655,426 B2 \* 5/2017 Bremner ..... A45D 7/04  
10,441,046 B2 \* 10/2019 Davis ..... A45D 7/04  
D890,427 S \* 7/2020 Gordina ..... D28/37  
D912,891 S \* 3/2021 Vennemeyer ..... D28/7  
2010/0101595 A1 \* 4/2010 Glenn, Jr. .... A45D 19/02  
132/208

(21) Appl. No.: **29/704,962**  
(22) Filed: **Sep. 9, 2019**

(Continued)

Primary Examiner — Jennifer Rivard

**Related U.S. Application Data**

(63) Continuation of application No. 16/186,126, filed on Nov. 9, 2018, now Pat. No. 10,441,046.

(51) **LOC (13) Cl.** ..... **28-03**

(52) **U.S. Cl.**  
USPC ..... **D28/37; D28/7; D28/82; D28/20**

(58) **Field of Classification Search**  
USPC ..... D28/7, 37, 82, 20  
CPC ... A45D 2/00; A45D 7/04; A45D 7/06; A45D  
19/16; A45D 2/12–127; A45D 2/14–143;  
A45D 2/18; A45D 2/20–22  
See application file for complete search history.

(56) **References Cited**

**U.S. PATENT DOCUMENTS**

2,008,656 A 7/1935 Cooper  
2,042,397 A 5/1936 High et al.  
2,173,872 A 9/1939 Barnes  
2,769,449 A 11/1956 Portell  
3,213,860 A 10/1965 Mizell et al.  
3,213,861 A 10/1965 Vitello  
3,213,863 A 10/1965 Underwood  
5,076,299 A 12/1991 Wistrand et al.  
D530,042 S \* 10/2006 Funkhouser ..... D28/82  
D681,877 S \* 5/2013 Curry ..... D28/7

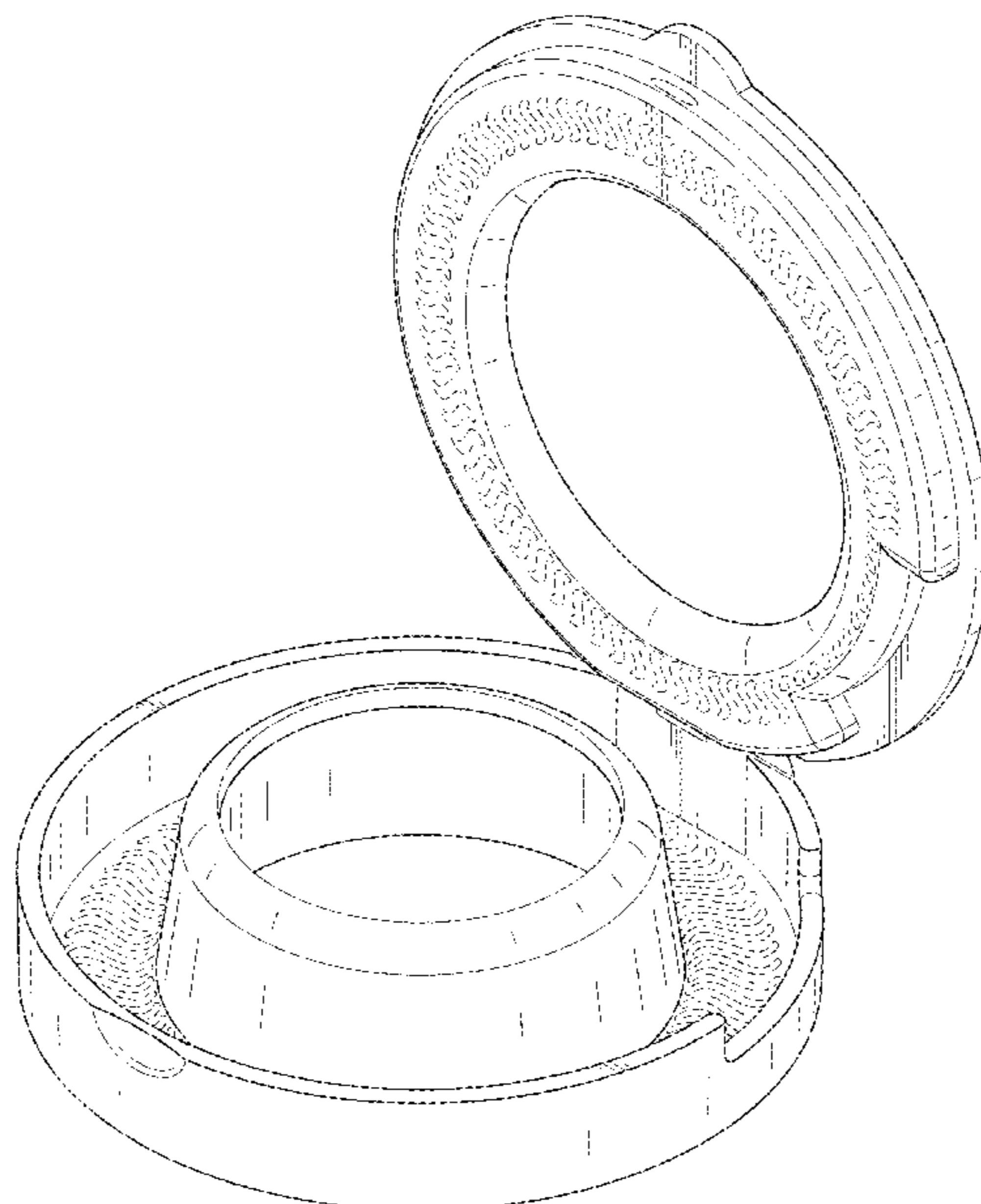
(57) **CLAIM**

The ornamental design for a hair curling case, as shown and described.

**DESCRIPTION**

FIG. 1 is a front perspective view of the hair curling case embodying my new design;  
FIG. 2 is a front view of the hair curling case;  
FIG. 3 is a rear view of the hair curling case;  
FIG. 4 is a right side view of the hair curling case;  
FIG. 5 is a left side view of the hair curling case;  
FIG. 6 is a top view of the hair curling case;  
FIG. 7 is a bottom view of the hair curling case;  
FIG. 8 is a rear perspective view of the hair curling case;  
FIG. 9 is a first environmental view of the hair curling case; and,  
FIG. 10 is a second environmental view of the hair curling case.  
The broken lines that are shown along the body of the hair curling case illustrate portions of the article that form no part of the claimed design. The broken line disclosure of the person in FIGS. 9-10 illustrates the environment of the hair curling case and forms no part of the claimed design.

**1 Claim, 10 Drawing Sheets**



(56)

**References Cited**

U.S. PATENT DOCUMENTS

2015/0296953 A1\* 10/2015 Murdock ..... A61K 8/42  
132/203  
2019/0387858 A1\* 12/2019 Davis ..... A45D 7/06

\* cited by examiner

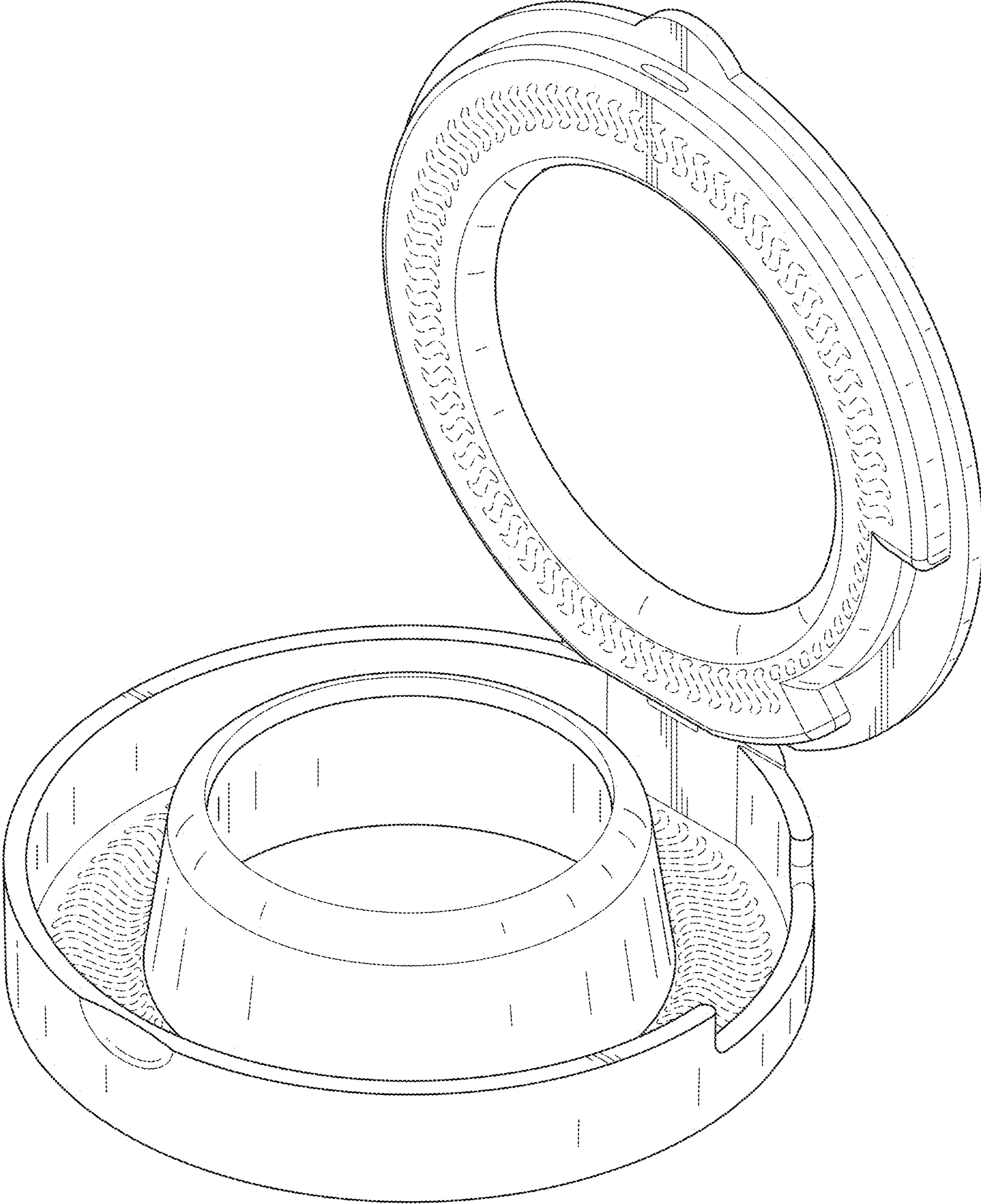


FIG. 1

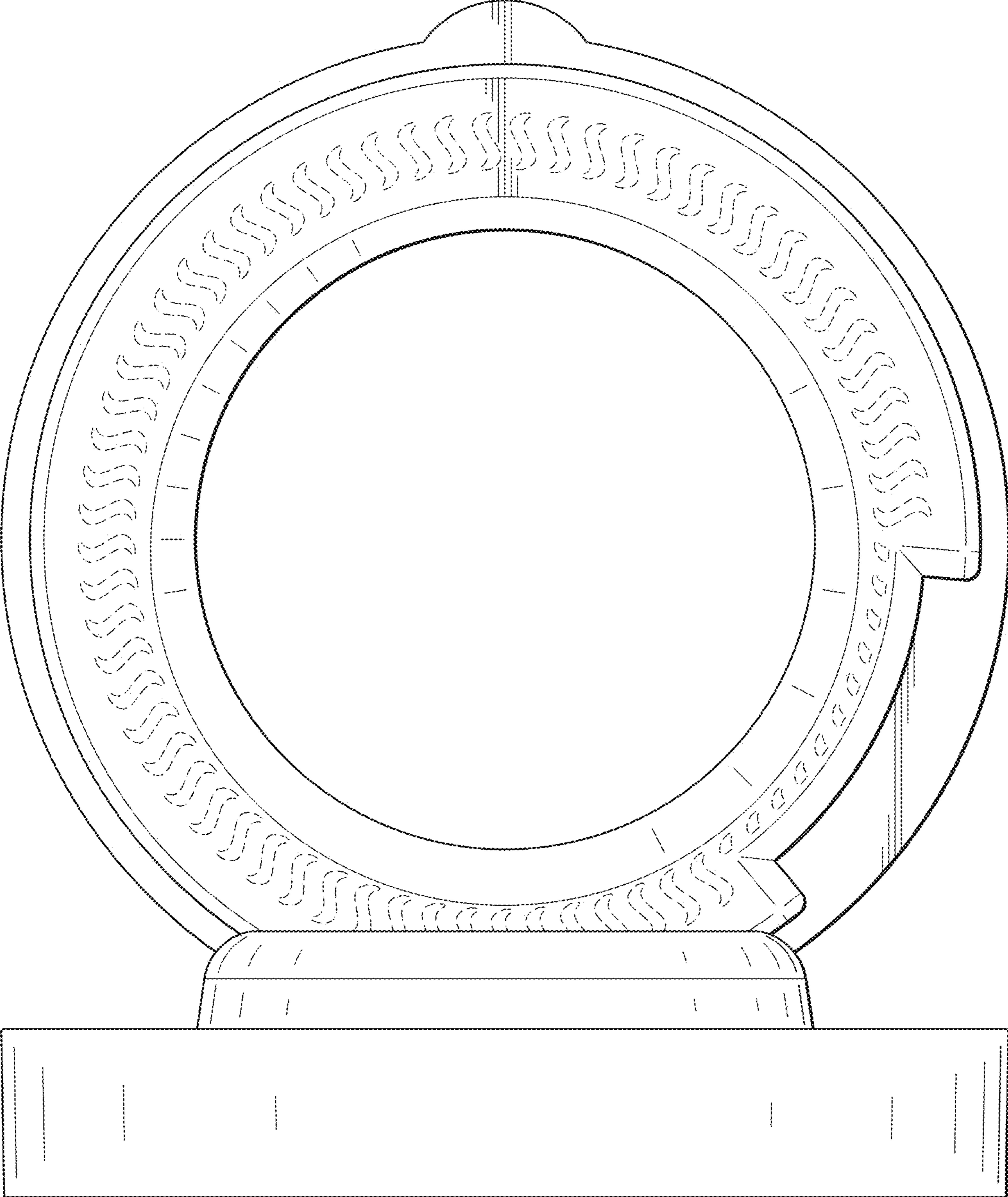


FIG. 2

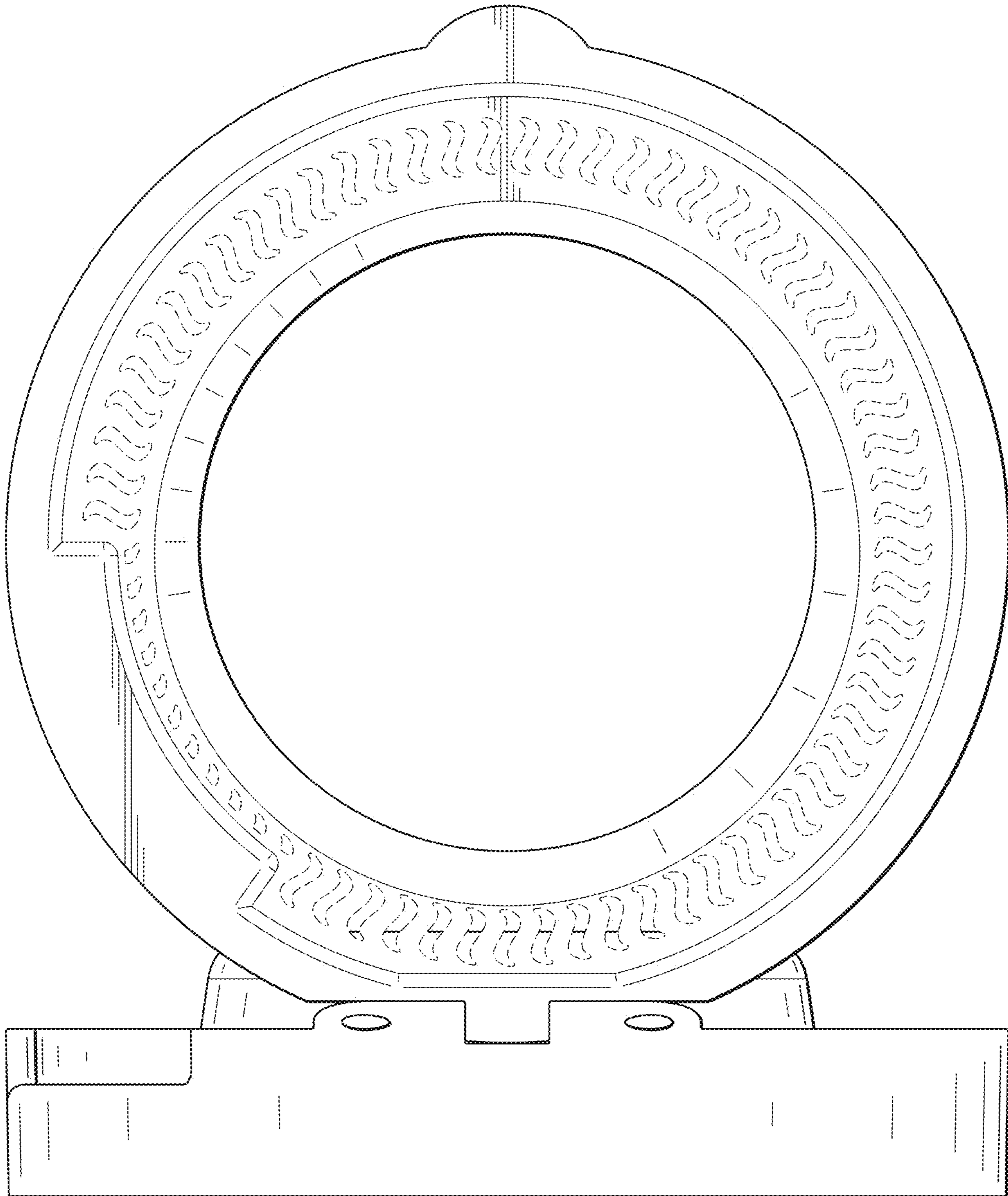


FIG. 3

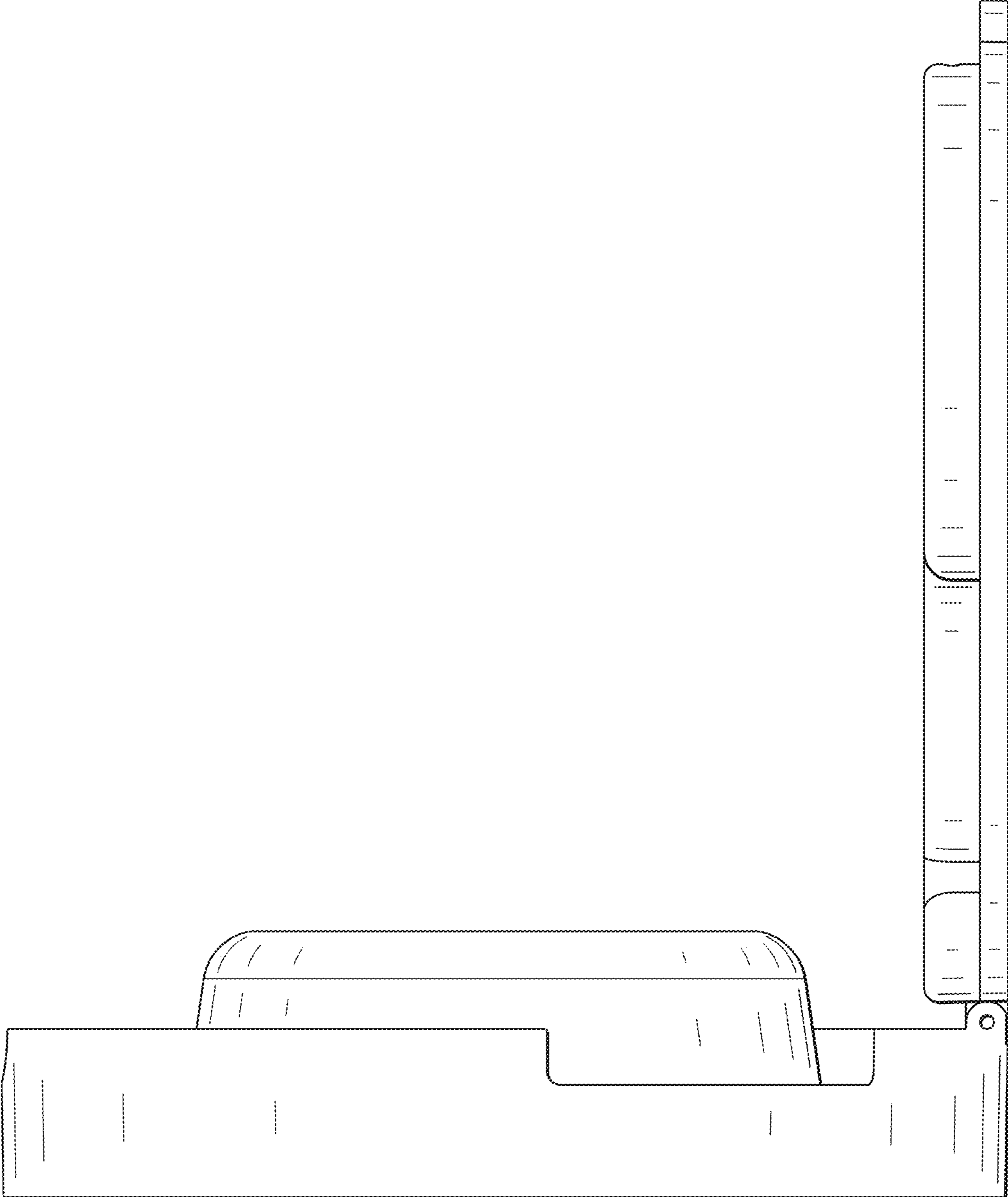


FIG. 4

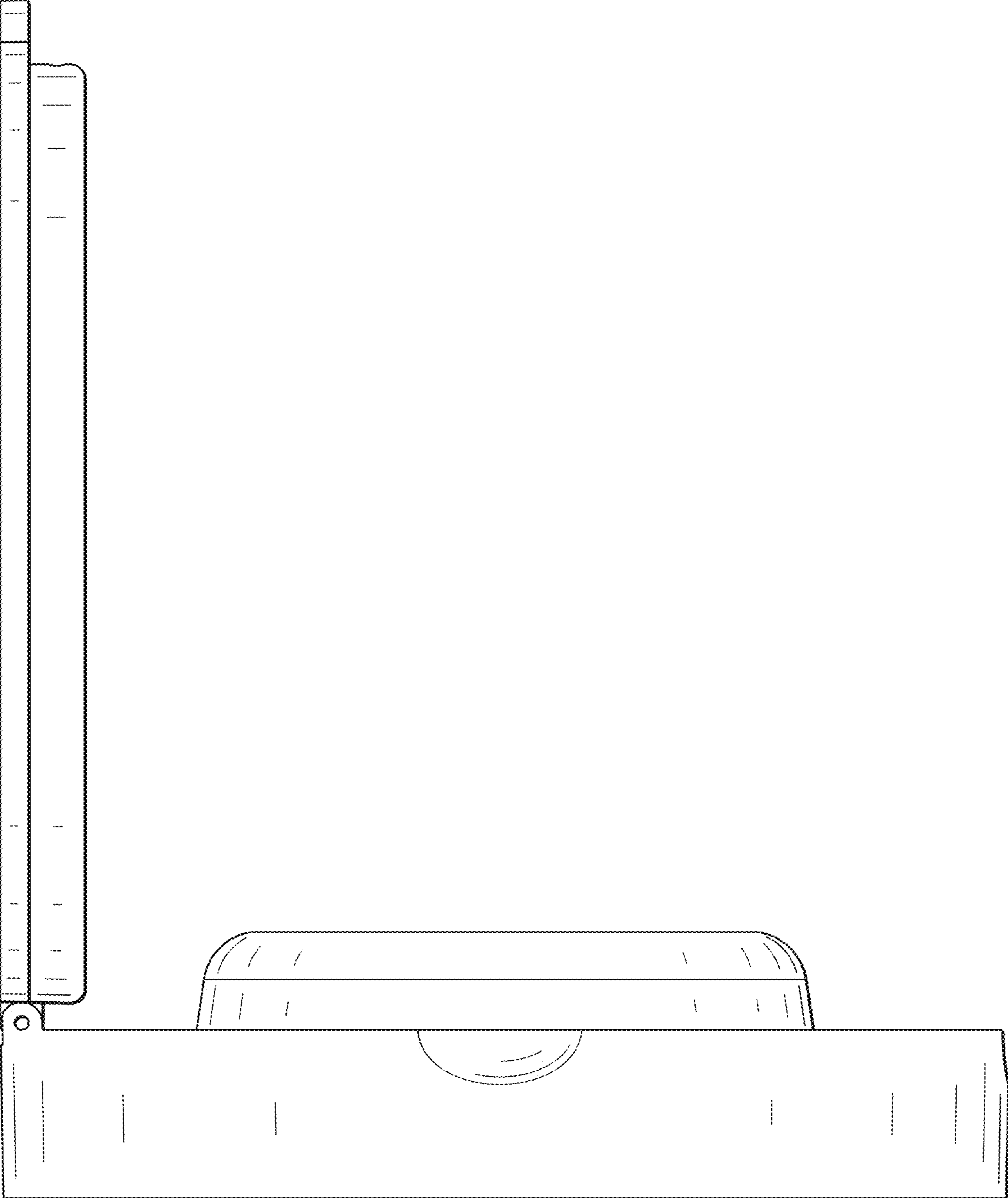


FIG. 5

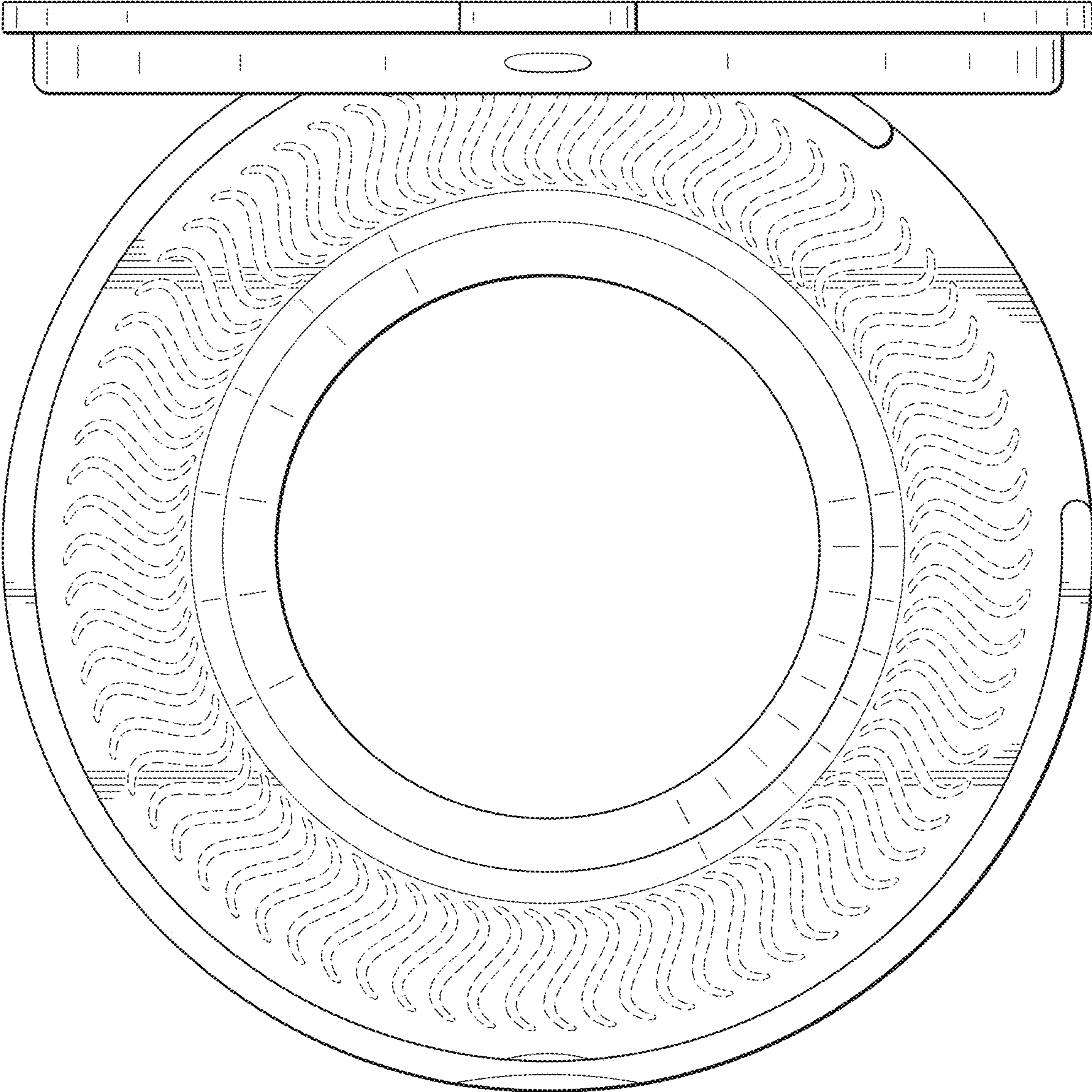


FIG. 6



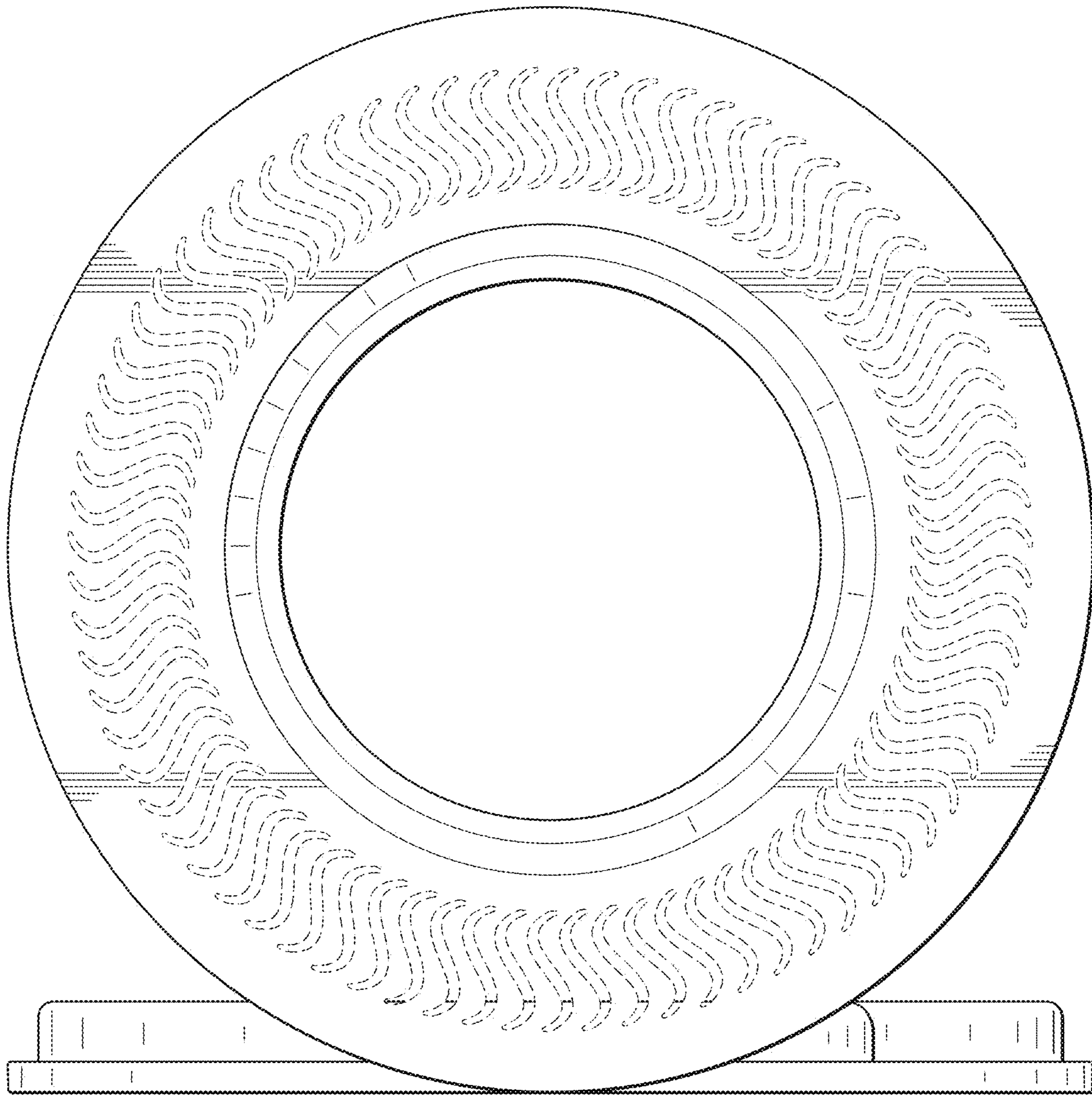


FIG. 7

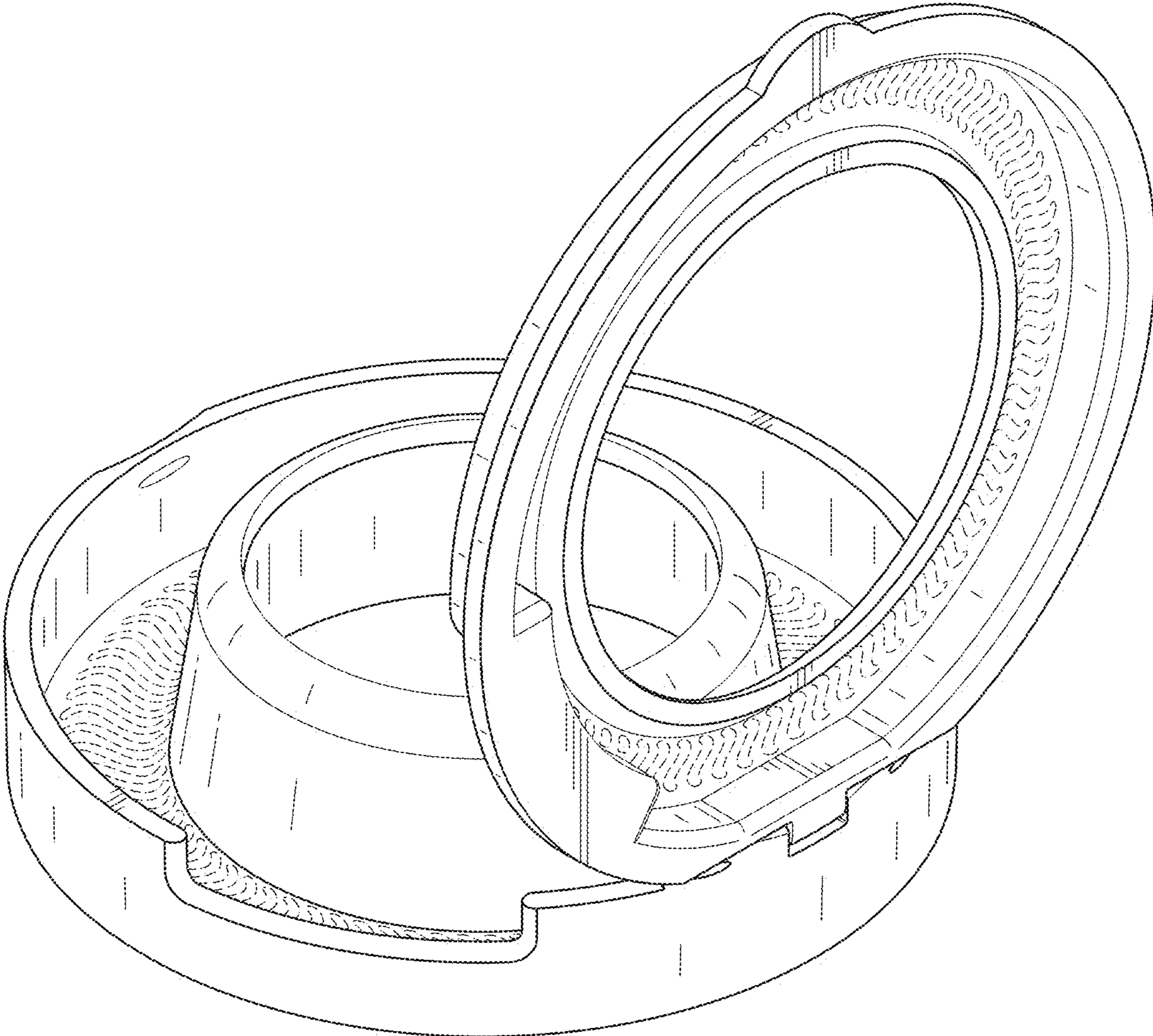


FIG. 8

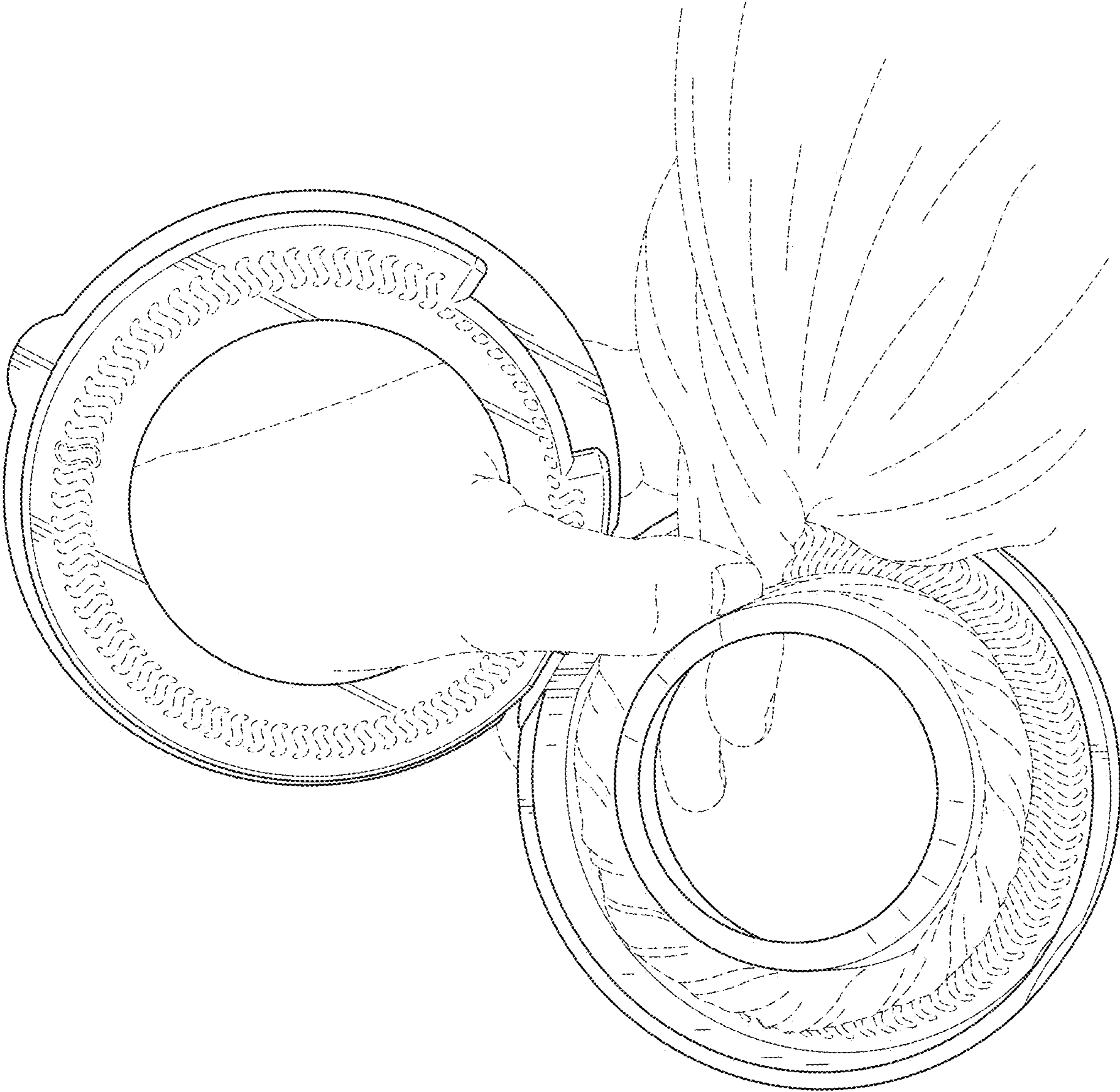


FIG. 9

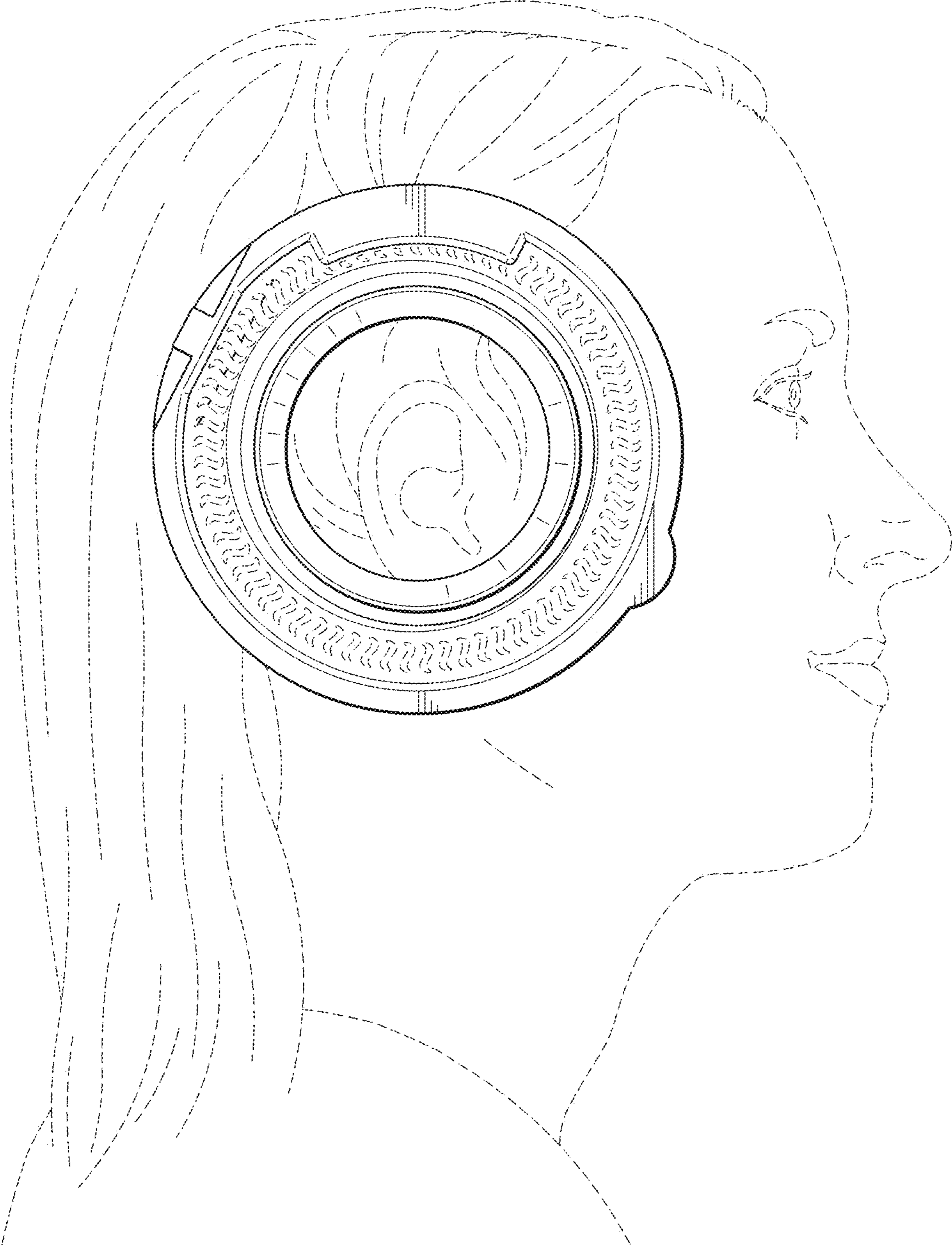


FIG. 10