



US00D932097S

(12) **United States Design Patent** (10) **Patent No.:** **US D932,097 S**
Liu (45) **Date of Patent:** **** Sep. 28, 2021**

(54) **ELECTRONIC CIGARETTE ATOMIZER**

(56) **References Cited**

(71) Applicant: **Tuanfang Liu**, Shenzhen (CN)

U.S. PATENT DOCUMENTS

(72) Inventor: **Tuanfang Liu**, Shenzhen (CN)

D729,440 S * 5/2015 Liu D27/101
D740,488 S * 10/2015 Leidel D27/167

(**) Term: **15 Years**

(Continued)

(21) Appl. No.: **29/725,932**

FOREIGN PATENT DOCUMENTS

(22) Filed: **Feb. 27, 2020**

CN 201830051418 * 8/2018
CN 201830428913 * 8/2018

(Continued)

(30) **Foreign Application Priority Data**

OTHER PUBLICATIONS

Nov. 29, 2019 (CN) 201930663005.6

SmokTFV8 Baby Beast. ByVaporAuthority.com. Dated Dec. 23, 2016. Found online [Mar. 1, 2021]. <https://www.youtube.com/watch?v=jMHaQlsk-fk> (Year: 2016).*

(51) **LOC (13) Cl.** **27-02**

(Continued)

(52) **U.S. Cl.**

USPC **D27/162**

(58) **Field of Classification Search**

Primary Examiner — Marissa J Cash

Assistant Examiner — William B Melliar

(74) *Attorney, Agent, or Firm* — Matthias Scholl P.C.;
Matthias Scholl

USPC D27/100, 101, 162, 163, 164, 165, 166,
D27/167, 168, 169, 170, 171, 172, 173,
D27/174, 175, 176, 177, 178, 179, 180,
D27/181, 182, 183, 184, 185, 186, 187,
D27/188, 189, 190, 191, 192, 193;
D28/91.1; D23/360, 362; D24/110,
D24/110.4, 110.5, 110.6, 113

(57) **CLAIM**

The ornamental design for an electronic cigarette atomizer,
as shown and described.

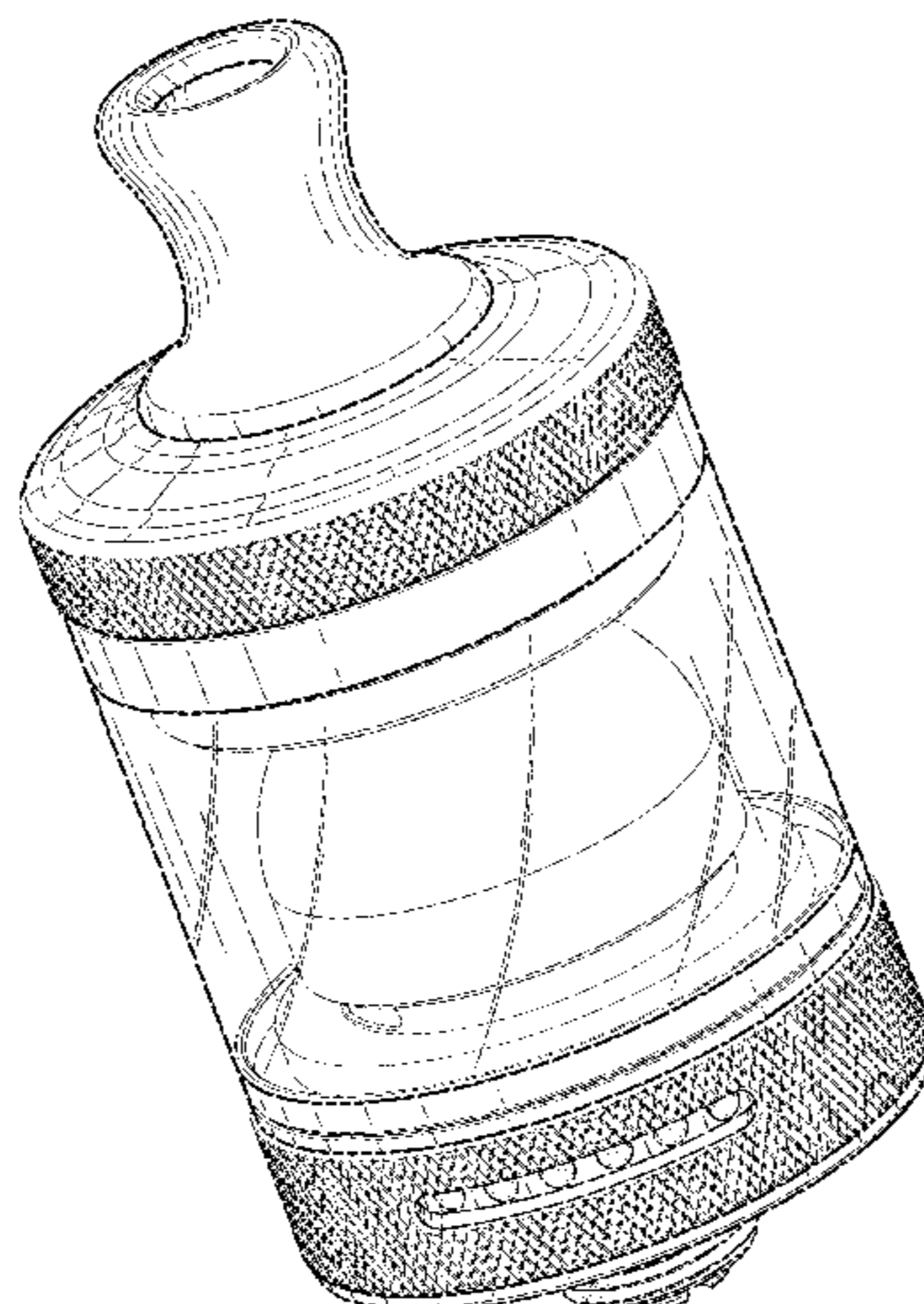
CPC A24F 40/10; A24F 40/40; A24F 40/46;
A24F 40/42; A24F 40/44; A24F 40/485;
A24F 40/50; A24F 40/60; A24F 40/90;
A24F 40/53; A24F 40/70; A24F 40/48;
A24F 40/51; A24F 40/57; A24F 40/05;
A24F 40/65; A24F 40/20; A24F 47/002;
A24F 40/30; A24F 1/32; A24F 40/00;
A24F 40/49; A24F 40/85; A24F 40/95;
A24F 7/04; A24F 9/16; A24F 47/008;
A24F 40/465; A24F 42/60; A24F 1/02;
A24F 2700/03; A24F 47/006; A24F
13/00; A24F 13/14; A24F 15/01; A24F
15/12; A24F 15/14; A24F 15/18; A24F
42/00; A24F

DESCRIPTION

FIG. 1 is a front elevation view of an electronic cigarette atomizer;
FIG. 2 is a rear elevation view thereof;
FIG. 3 is a left-side elevation view thereof;
FIG. 4 is a right-side elevation view thereof;
FIG. 5 is a top plan view thereof;
FIG. 6 is a bottom plan view thereof;
FIG. 7 is a perspective view thereof; and,
FIG. 8 is another perspective view thereof.
The broken lines in the drawings depict portions of the
electronic cigarette atomizer that form no part of the claimed
design.

(Continued)

1 Claim, 8 Drawing Sheets



(58) **Field of Classification Search**

CPC ... 42/10; A24F 7/00; A24F 7/02; A24F 47/00;
 A24F 15/015; A24F 47/004; A24F 1/00;
 A24F 42/20; A61M 11/042; A61M 15/06;
 A61M 2205/82; A61M 15/002; A61M
 11/041; A61M 15/0001; A61M 15/0085;
 A61M 11/001; A61M 11/04; A61M
 11/044; A61M 15/0015; A61M 15/0021;
 A61M 15/0028; A61M 15/0091; A61M
 15/0095; A61M 16/0808; A61M
 2205/0211; A61M 2205/0238; A61M
 2205/0272; A61M 2205/123; A61M
 2205/3334; A61M 2205/58; A61M
 2205/7536; A61M 2205/3653; A61M
 2205/18; A61M 2205/3317; A61M
 2205/50; A61M 2205/52; A61M
 2205/3368; A24B 15/167

See application file for complete search history.

(56) **References Cited**

U.S. PATENT DOCUMENTS

D771,219 S * 11/2016 Gilbarte D22/117
 D771,307 S * 11/2016 Wu D27/101
 D795,495 S * 8/2017 Li D27/100
 D811,652 S * 2/2018 Liu D27/167
 D836,243 S * 12/2018 Liu D27/167
 D861,978 S * 10/2019 Lai D27/167

D869,752 S * 12/2019 Dong D27/162
 D881,456 S * 4/2020 Chen D27/162
 D883,567 S * 5/2020 Liu D27/162
 D900,387 S * 10/2020 Liu D27/162
 D920,572 S * 5/2021 Liu D27/167
 D921,285 S * 6/2021 Liu D27/167
 2017/0049153 A1* 2/2017 Guo A61M 15/06
 2017/0112193 A1* 4/2017 Chen A24F 47/008
 2019/0134320 A1* 5/2019 Fornarelli H05B 3/44
 2019/0357594 A1* 11/2019 Liu A24F 40/60
 2020/0113236 A1* 4/2020 Qiu A24F 40/49

FOREIGN PATENT DOCUMENTS

CN 201730675352 * 9/2018
 CN 201830284785 * 10/2018

OTHER PUBLICATIONS

Eleaf iJust Mini Kit. By Richard Vick. Dated Jul. 9, 2019. Found online [Mar. 1, 2021]. <https://www.youtube.com/watch?v=zja5PFXXm4o> (Year: 2019).*

Littlefoot MTL RTA. By MF Vape. Dated Mar. 11, 2019. Found online [Mar. 1, 2021]. https://www.youtube.com/watch?v=EdHJdy1Mhsl&feature=emb_logo (Year: 2019).*

Hellvape MD RTA. By Mike Vapes. Dated Nov. 1, 2019. Found online [Mar. 1, 2021]. <https://www.youtube.com/watch?v=jfsXRe6bOmM> (Year: 2019).*

* cited by examiner

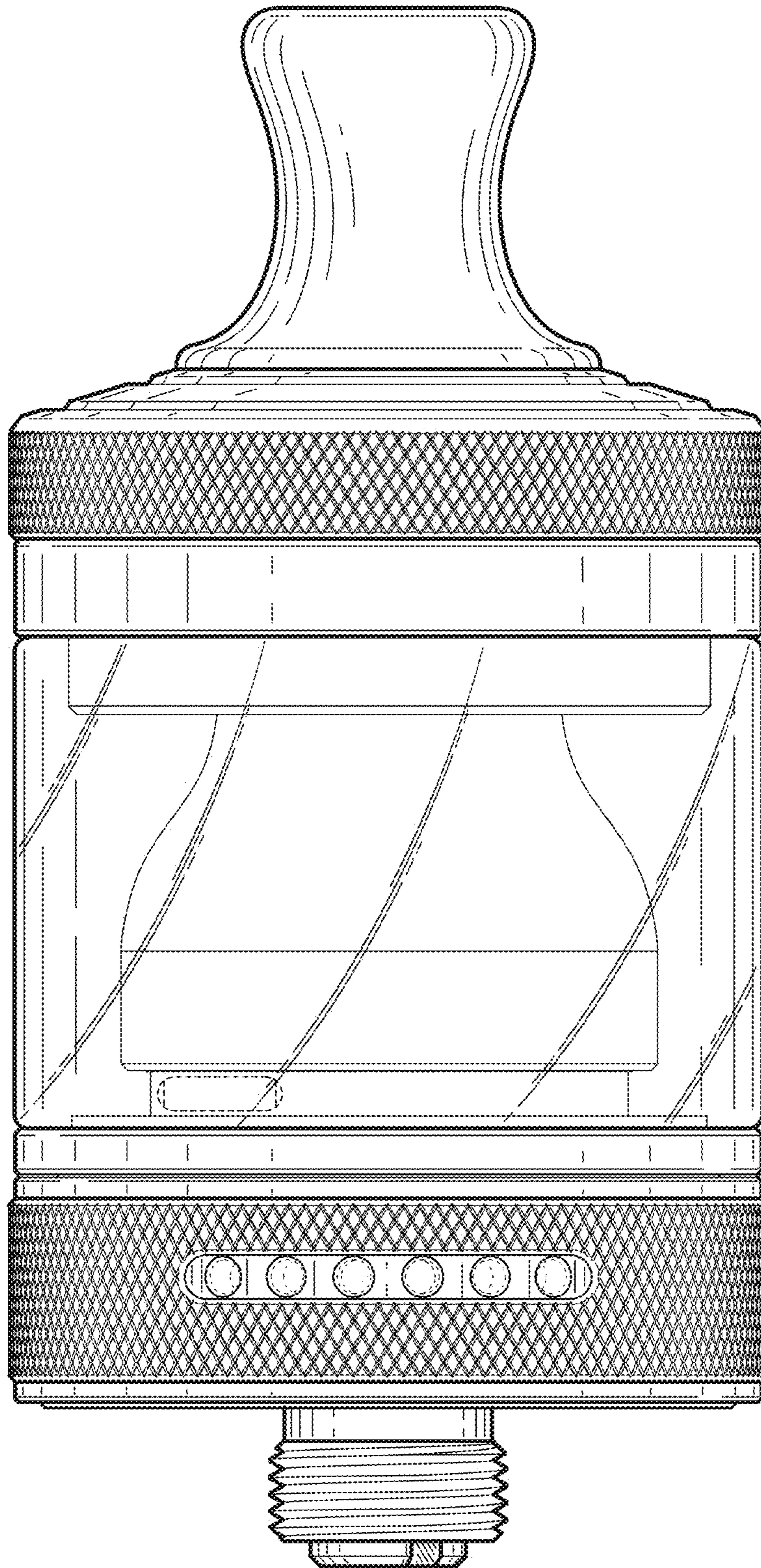


FIG. 1

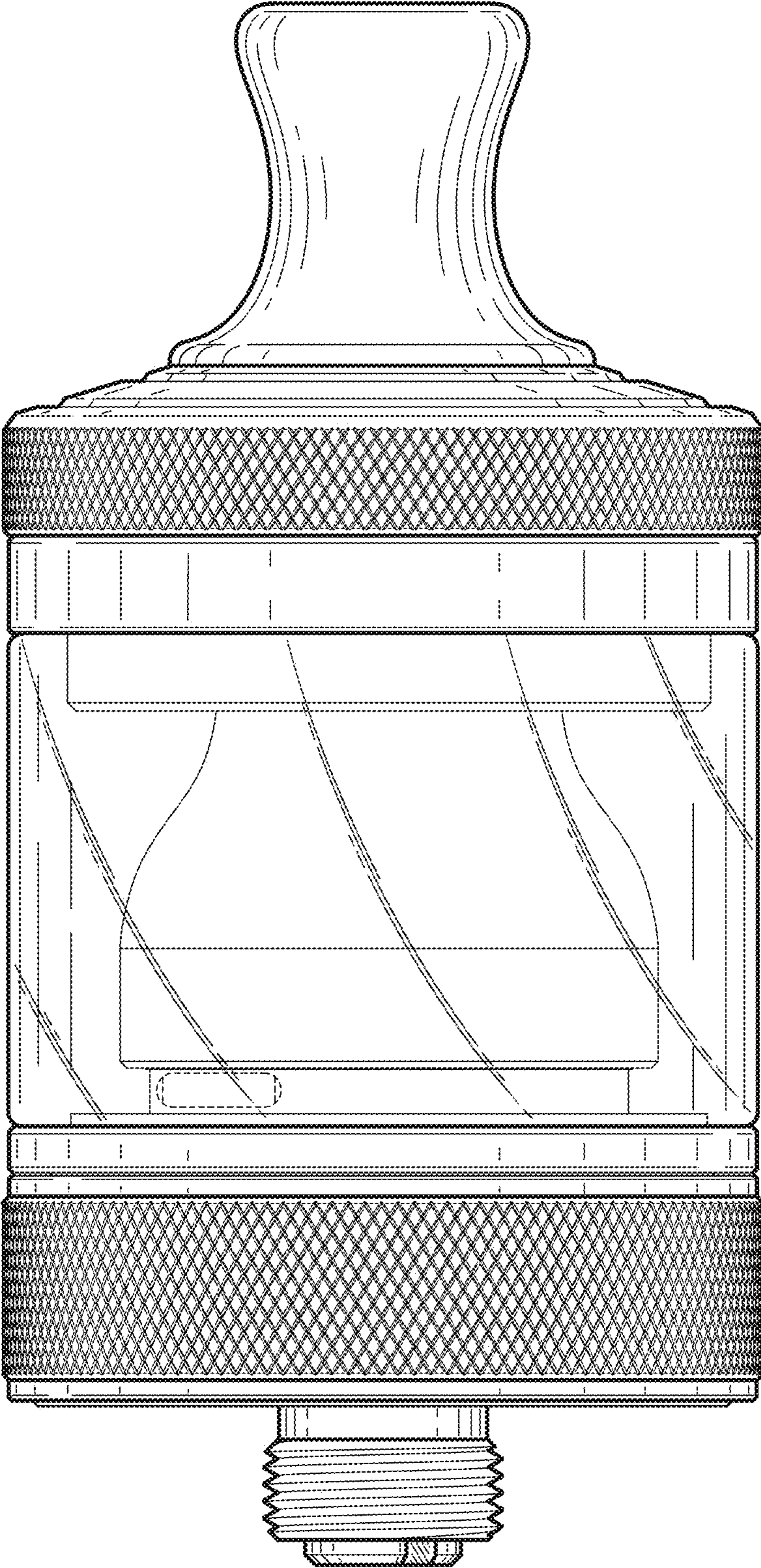


FIG. 2

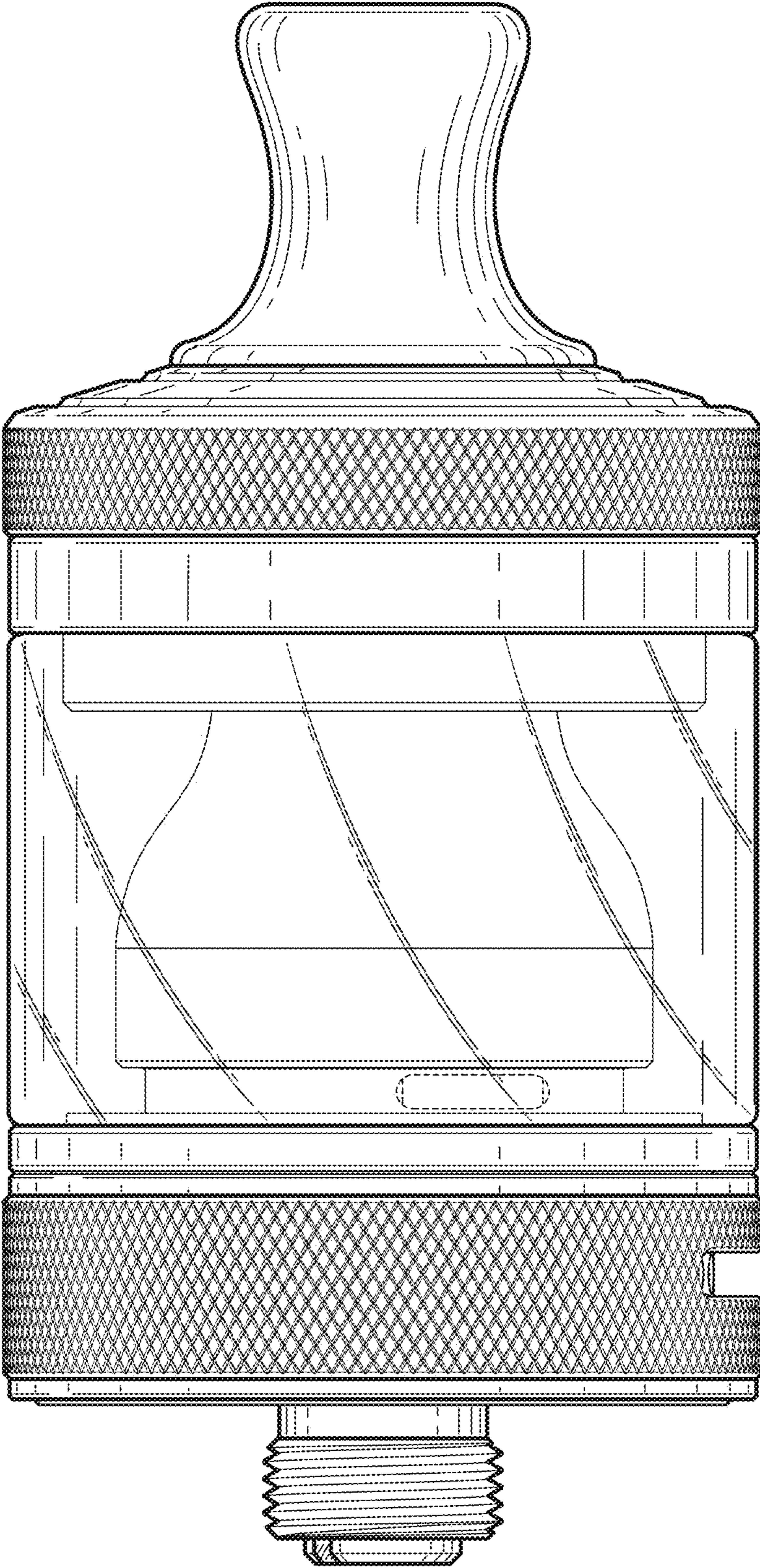


FIG. 3

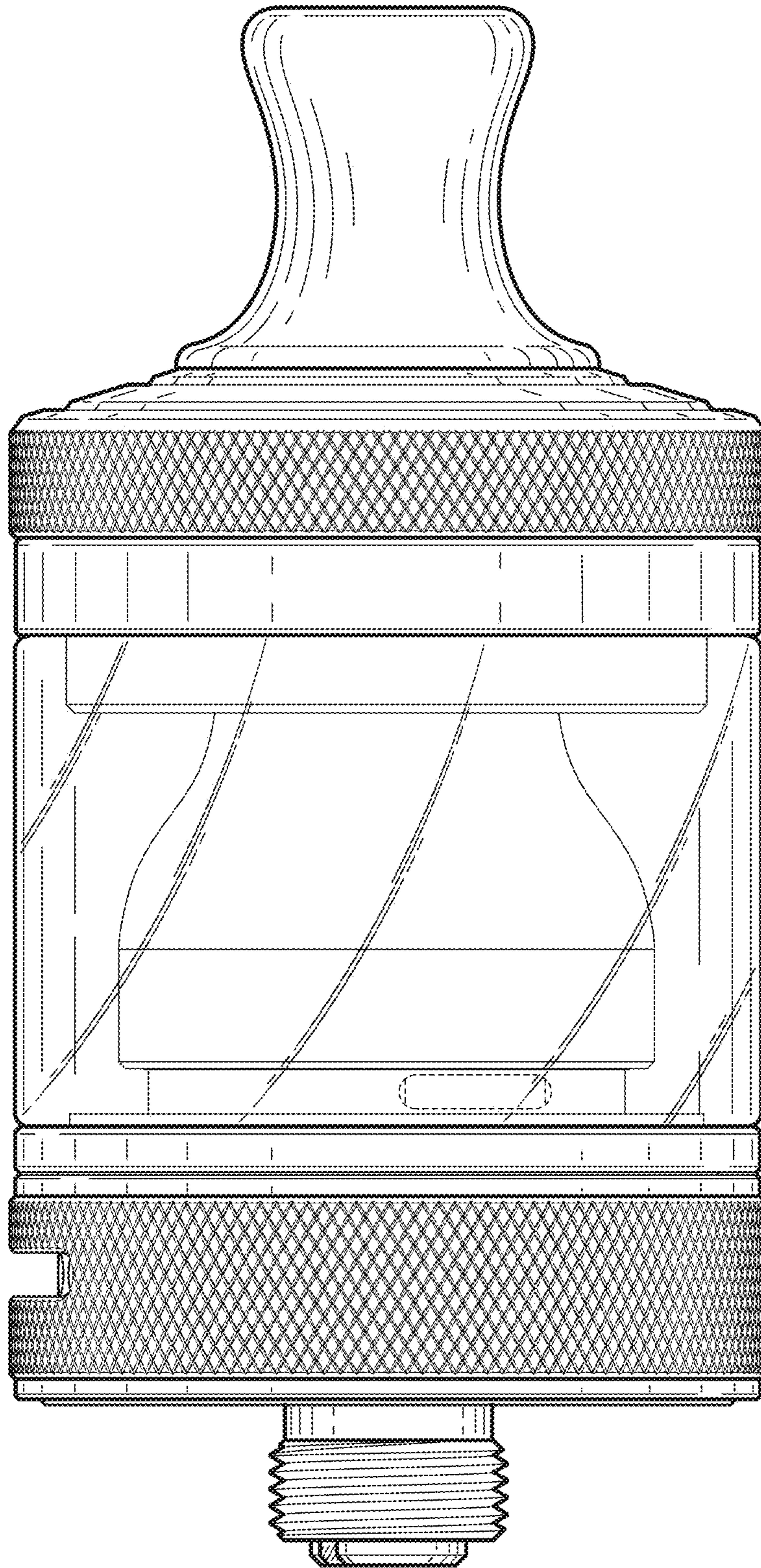


FIG. 4

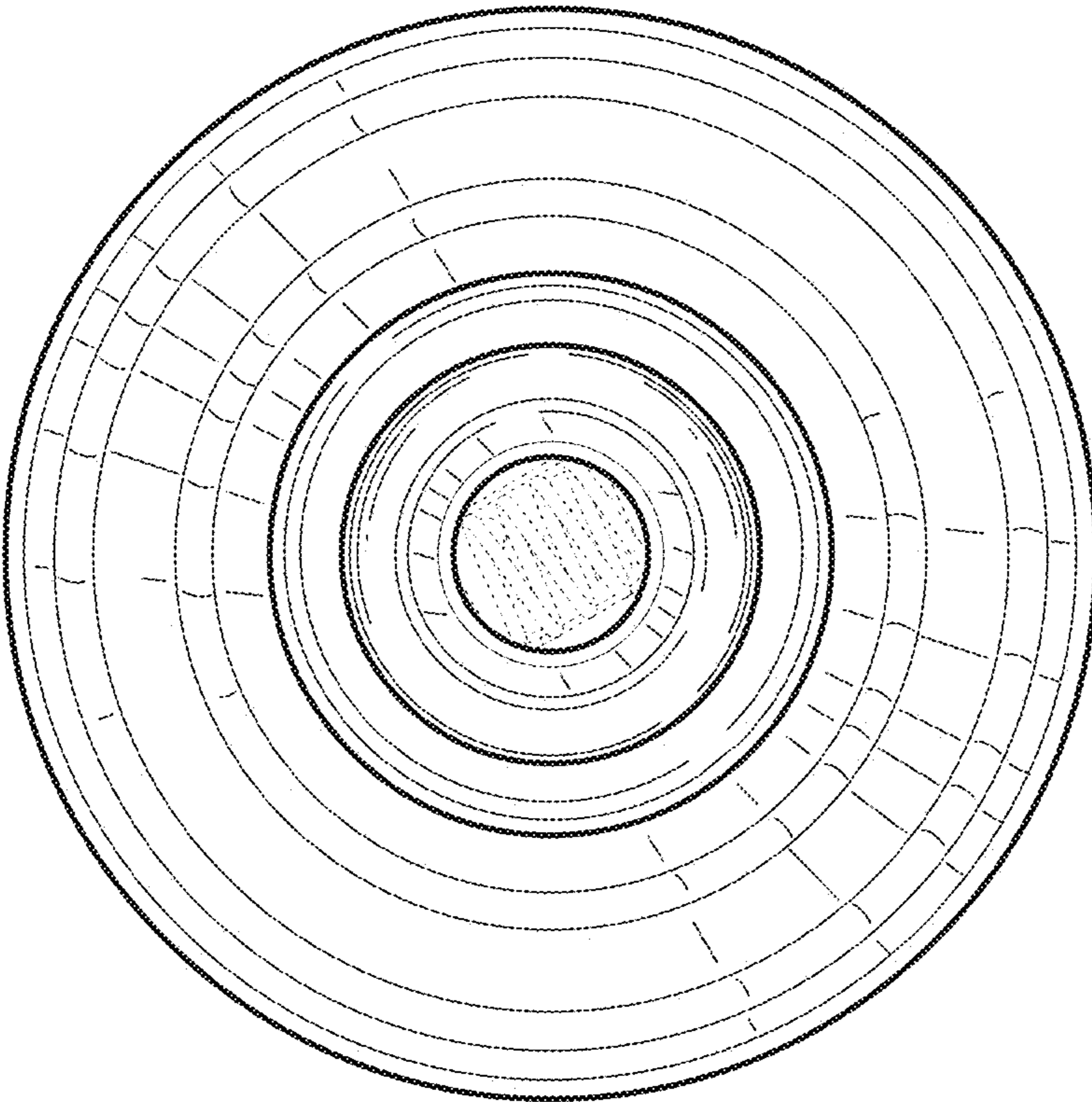


FIG. 5

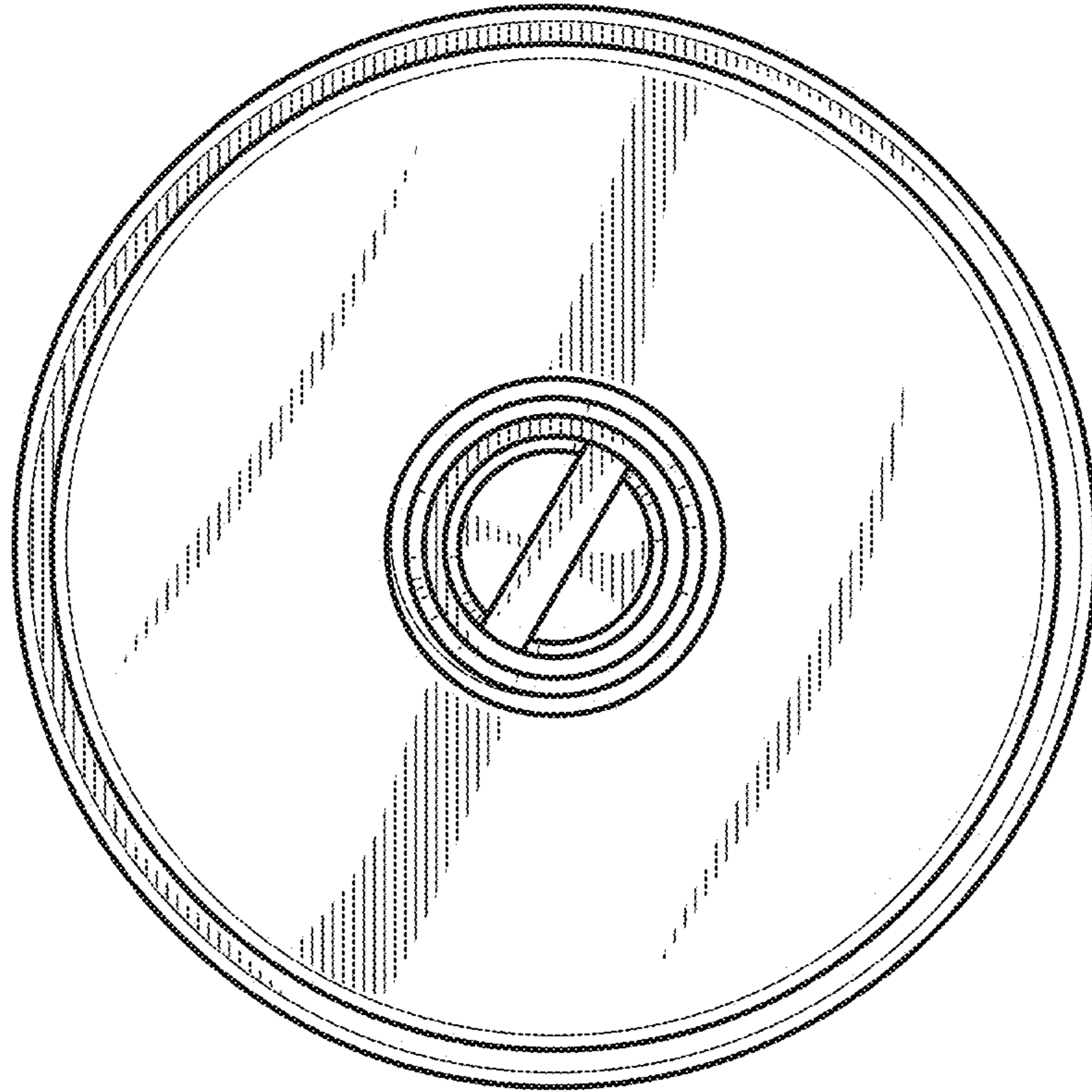


FIG. 6

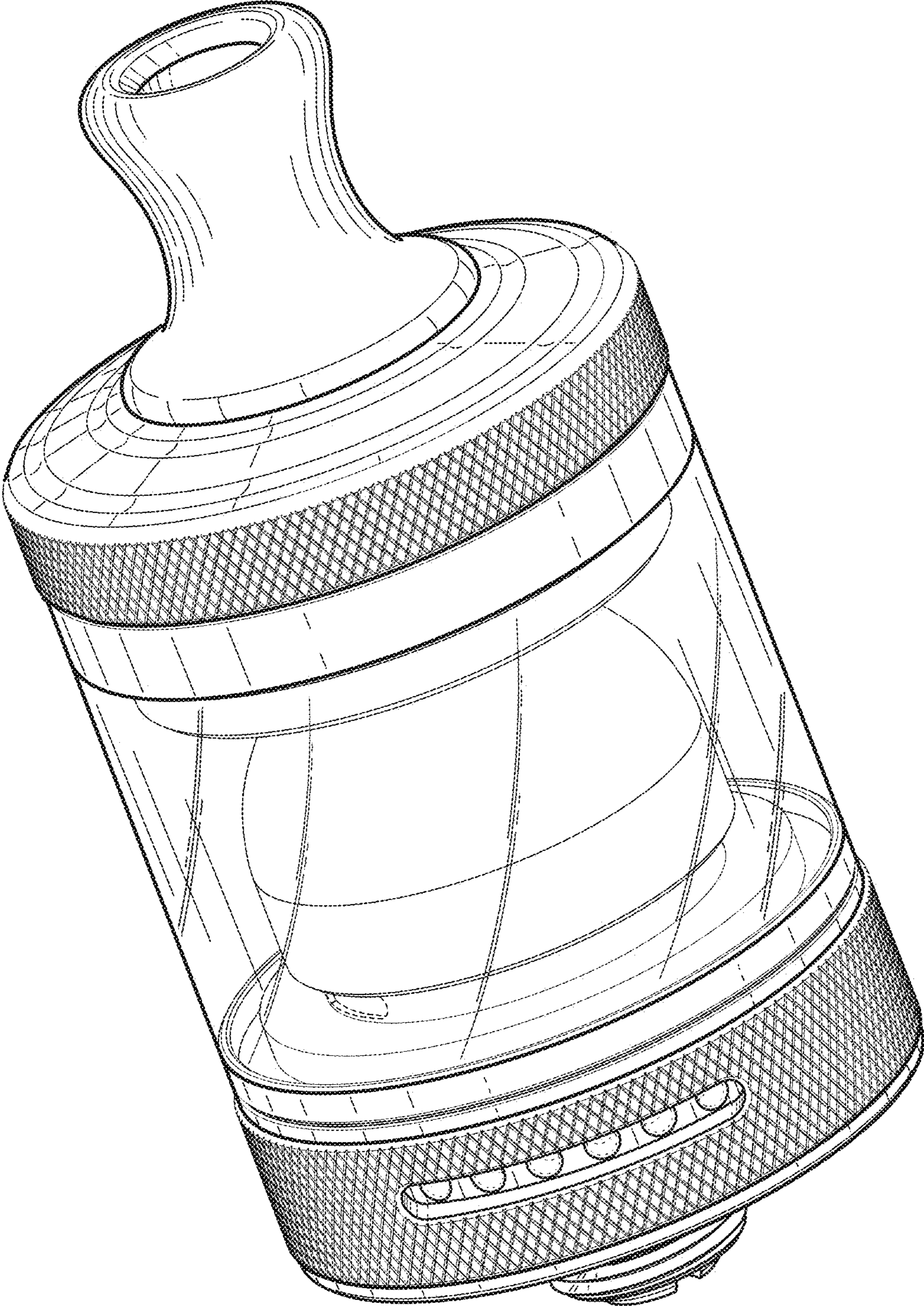


FIG. 7

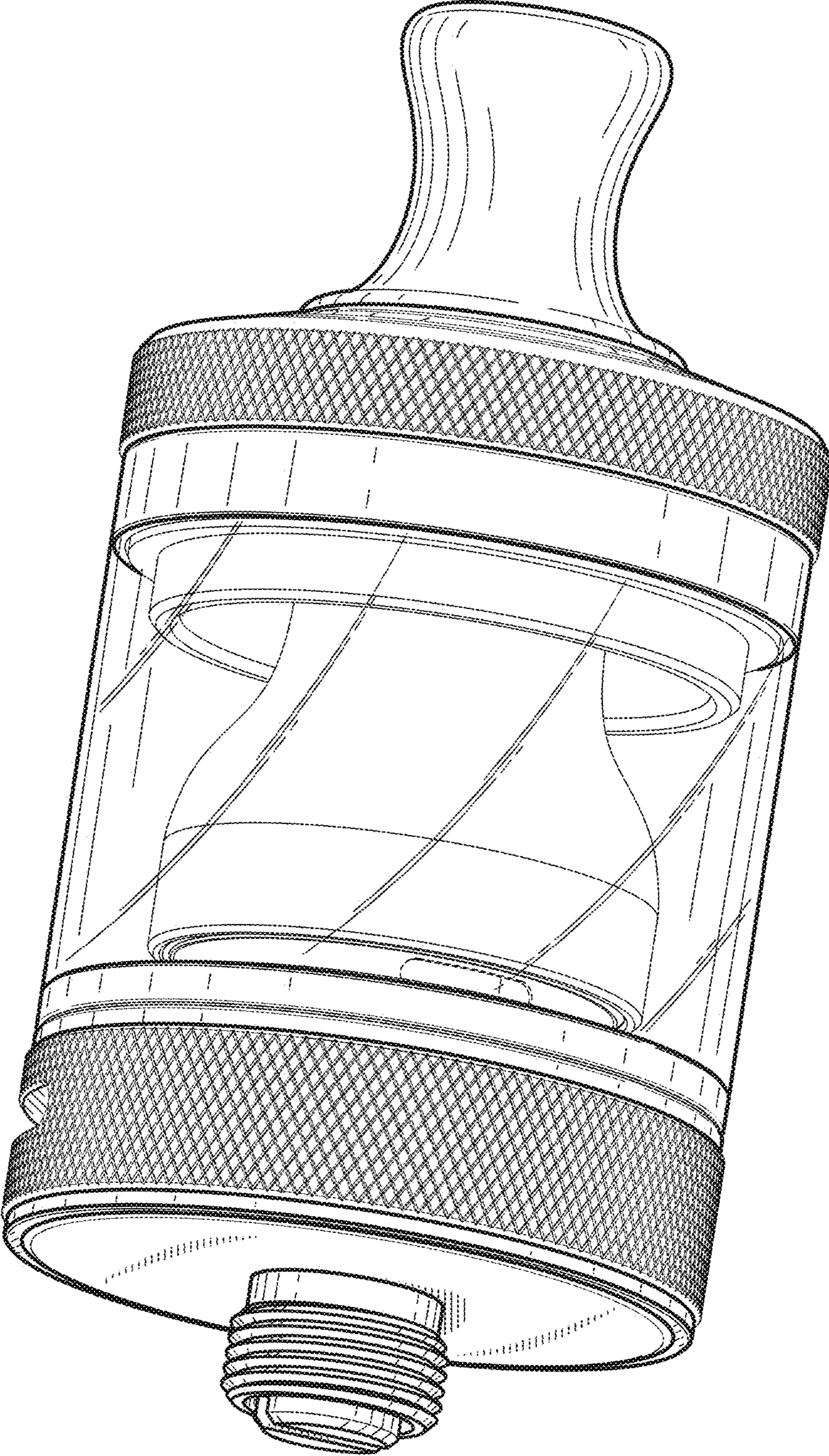


FIG. 8