



US00D932094S

(12) **United States Design Patent** (10) **Patent No.:** **US D932,094 S**  
**Laidlaw et al.** (45) **Date of Patent:** **\*\* Sep. 28, 2021**

(54) **VAPORIZER CARTRIDGE**

FOREIGN PATENT DOCUMENTS

(71) Applicant: **CANOPY GROWTH CORPORATION**, Smiths Falls (CA)

CA 170562 \* 1/2018  
CN 201930258550.7 \* 11/2019

(Continued)

(72) Inventors: **Kyle Laidlaw**, Brooklyn, NY (US);  
**Johan Liden**, Brooklyn, NY (US);  
**Bach Nguyen**, San Francisco, CA (US);  
**Danvu Nguyen**, San Francisco, CA (US);  
**Brett Tom**, Richmond, CA (US)

OTHER PUBLICATIONS

Tiny Pod System. By Matt From SMM. Dated Jul. 6, 2019. Found online [Mar. 16, 2021]. <https://www.youtube.com/watch?v=UHzWY3Xu6e4> (Year: 2019).\*

(Continued)

(73) Assignee: **CANOPY GROWTH CORPORATION**, Smiths Falls (CA)

*Primary Examiner* — Marissa J Cash

*Assistant Examiner* — William B Melliar

(\*\*) Term: **15 Years**

(74) *Attorney, Agent, or Firm* — Stinson LLP

(21) Appl. No.: **29/717,041**

(22) Filed: **Dec. 13, 2019**

(51) **LOC (13) Cl.** ..... **27-02**

(57) **CLAIM**

(52) **U.S. Cl.**

The ornamental design for a vaporizer cartridge, as shown and described.

USPC ..... **D27/162**

(58) **Field of Classification Search**

USPC ..... D27/100, 101, 162, 163, 164, 165, 166,  
D27/167, 168, 169, 170, 171, 172, 173,  
D27/174, 175, 176, 177, 178, 179, 180,  
D27/181, 182, 183, 184, 185, 186, 187,  
D27/188, 189, 190, 191, 192, 193;  
D24/110, 110.4, 110.5, 110.6, 113;  
D28/91.1; D23/360, 362

CPC ..... A24F 47/008; A24F 40/10; A24F 40/40;  
A24F 40/46; A24F 40/42; A24F 40/44;  
A24F 40/50; A24F 40/90; A24F 47/00;  
A24F 40/60; A24F 40/70; A24F 40/48;  
A24F 40/485; A24F 40/53; A24F 40/51;  
A24F 47/002; A24F 40/57; A24F 40/65;

(Continued)

**DESCRIPTION**

FIG. 1 is a perspective view of a vaporizer cartridge;  
FIG. 2 is a front elevational view of the vaporizer cartridge of FIG. 1;  
FIG. 3 is a rear elevational view of the vaporizer cartridge of FIG. 1;  
FIG. 4 is a right side elevational view of the vaporizer cartridge of FIG. 1;  
FIG. 5 is a left side elevational view of the vaporizer cartridge of FIG. 1;  
FIG. 6 is a top plan view of the vaporizer cartridge of FIG. 1; and,  
FIG. 7 is a bottom plan view of the vaporizer cartridge of FIG. 1.

The broken lines in the drawings illustrate portions of the vaporizer cartridge that form no part of the claimed design.

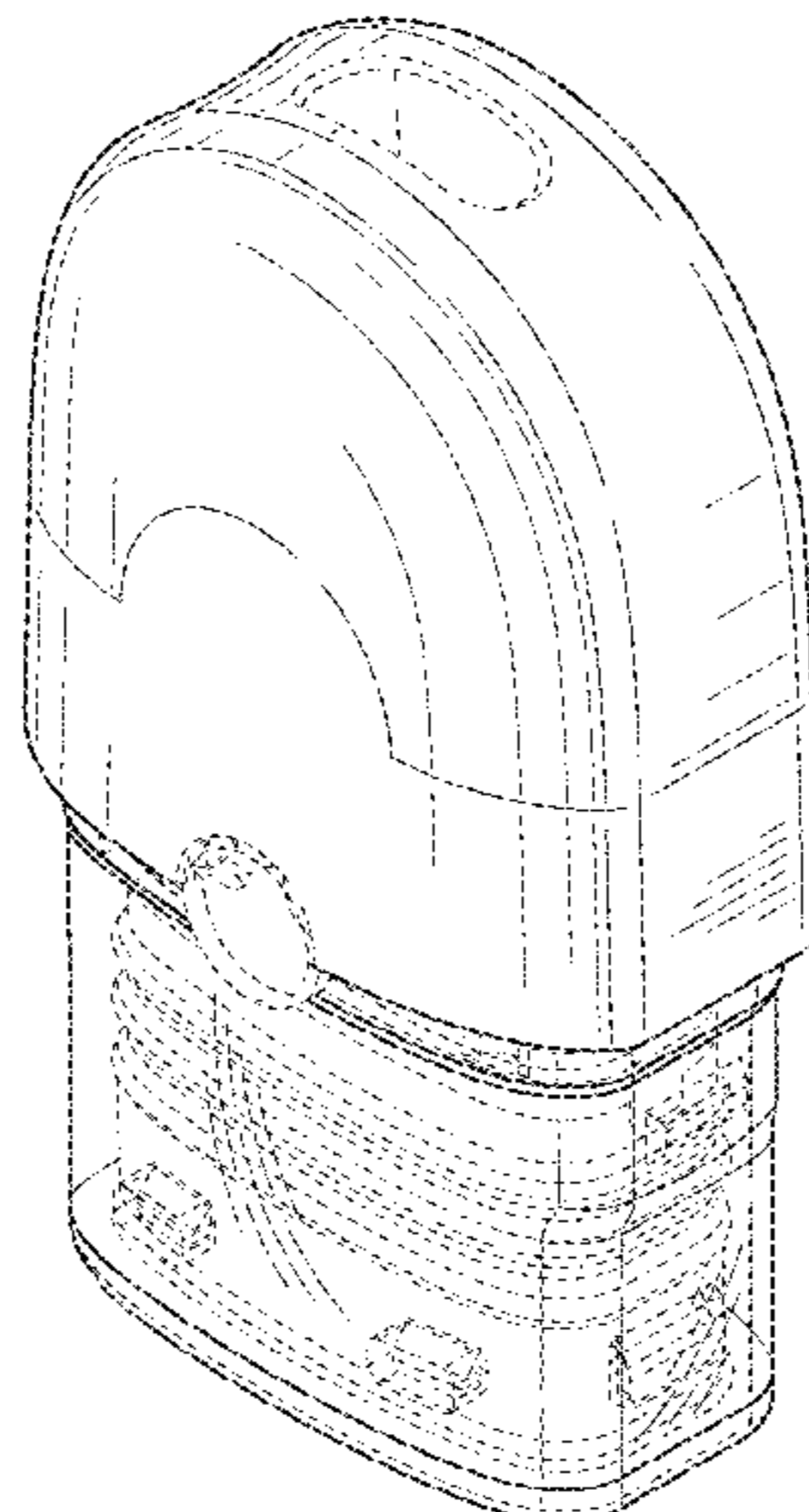
(56) **References Cited**

U.S. PATENT DOCUMENTS

D763,502 S \* 8/2016 Verleur ..... D27/167  
D766,417 S \* 9/2016 Lane ..... D23/366

(Continued)

**1 Claim, 2 Drawing Sheets**



(58) **Field of Classification Search**

CPC .. A24F 40/20; A24F 7/00; A24F 40/30; A24F 47/004; A24F 40/05; A24F 15/00; A24F 1/32; A24F 40/00; A24F 40/49; A24F 40/85; A24F 42/60; A24F 7/02; A24F 7/04; A24F 9/16; A24F 13/06; A24F 13/04; A24F 40/465; A24F 13/00; A24F 13/14; A24F 15/01; A24F 15/015; A24F 15/12; A24F 15/14; A24F 15/18; A24F 1/02; A24F 2700/03; A24F 42/00; A24F 42/20; A24F 1/00; A61M 11/042; A61M 15/06; A61M 2205/8206; A61M 2205/3653; A61M 11/005; A61M 2016/0024; A61M 2016/0027; A61M 2205/587; A61M 11/044; A61M 15/0085; A61M 16/0003; A61M 2205/0211; A61M 2205/3368; A61M 2205/8256; A61M 11/003; A61M 15/002; A61M 2016/0021; A61M 11/001; A61M 11/04; A61M 15/0021; A61M 15/0025; A61M 15/008; A61M 2016/0018; A61M 2016/0033; A61M 2016/0039; A61M 2021/0016; A61M 21/00; A61M 2205/3331; A61M 2205/3334; A61M 2205/3379; A61M 2205/52; A61M 2205/58; A61M 2205/583; A61M 2205/6018; A61M 2205/6054; A61M 2205/75; A61M 2205/8268; A61M 2206/11; A61M 2206/20; A61M 2209/02; A61M 2209/045; A61M 11/041; A61M 15/0001; A61M 15/0015; A61M 15/0028; A61M 15/0091; A61M 15/0095; A61M 16/0808; A61M 2205/0238; A61M 2205/0272; A61M 2205/123; A61M 2205/7536; A61M 2205/18; A61M 2205/3317; A61M 2205/3386; A61M 2205/50

See application file for complete search history.

(56) **References Cited**

U.S. PATENT DOCUMENTS

9,549,573 B2 1/2017 Monsees et al.  
 D825,102 S 8/2018 Bowen et al.  
 10,045,567 B2 8/2018 Monsees et al.  
 10,045,568 B2 8/2018 Monsees et al.  
 10,058,124 B2 8/2018 Monsees et al.  
 10,058,129 B2 8/2018 Monsees et al.  
 10,058,130 B2 8/2018 Monsees et al.  
 10,070,669 B2 9/2018 Monsees et al.  
 10,076,139 B2 9/2018 Monsees et al.  
 10,104,915 B2 10/2018 Bowen et al.  
 10,111,470 B2 10/2018 Monsees et al.  
 10,117,465 B2 11/2018 Monsees et al.

10,117,466 B2 11/2018 Monsees et al.  
 10,159,282 B2 12/2018 Monsees et al.  
 10,201,190 B2 2/2019 Monsees et al.  
 D842,536 S \* 3/2019 Bowen ..... D27/167  
 D844,235 S \* 3/2019 Cividi ..... D27/167  
 10,264,823 B2 4/2019 Monsees et al.  
 D858,868 S \* 9/2019 Bowen ..... D27/162  
 D858,869 S 9/2019 Bowen et al.  
 D858,870 S 9/2019 Bowen et al.  
 D865,279 S \* 10/2019 Pino ..... D27/172  
 D875,303 S \* 2/2020 Pan ..... D27/162  
 D875,305 S \* 2/2020 Lai ..... D27/167  
 D877,977 S \* 3/2020 Ding ..... D27/162  
 D887,630 S \* 6/2020 Lai ..... D27/162  
 D893,094 S \* 8/2020 Wang ..... D27/162  
 D904,680 S \* 12/2020 Pan ..... D27/162  
 2016/0366947 A1 12/2016 Monsees et al.  
 2017/0231282 A1 8/2017 Bowen et al.  
 2018/0070648 A1 3/2018 Monsees et al.  
 2018/0092405 A1 4/2018 Monsees et al.  
 2018/0092406 A1 4/2018 Monsees et al.  
 2018/0098578 A1 4/2018 Monsees et al.  
 2018/0317557 A1 11/2018 Monsees et al.  
 2018/0360130 A1 12/2018 Bowen et al.  
 2019/0008212 A1 1/2019 Atkins et al.

FOREIGN PATENT DOCUMENTS

CN 201930226187.0 \* 2/2020  
 CN 201930427662.0 \* 3/2020  
 CN 201930577963.1 \* 5/2020  
 CN 201930643046.9 \* 7/2020  
 CN 202030103890.5 \* 7/2020  
 CN 202030290832.8 \* 11/2020  
 KR 3020190011886 \* 4/2020  
 WO WO 2015/100361 7/2015  
 WO WO 2017/139675 8/2017  
 WO WO 2017/147560 8/2017  
 WO WO 2017/151724 9/2017

OTHER PUBLICATIONS

Vapresso Renova Zero Replacement Pod. By Direct Vapor. Dated Sep. 7, 2018. Found online [Mar. 16, 2021]. <https://www.directvapor.com/vapresso-renova-zero-replacement-pod-2-pack/> (Year: 2018).  
 Smok Novo 2 Vape Pod Review. By RiP Trippers. Dated Aug. 7, 2019. Found online [Mar. 16, 2021]. <https://www.youtube.com/watch?v=jeVdaUWg6nw> (Year: 2019).  
 U.S. Appl. No. 29/707,392, Jones et al., filed Sep. 27, 2019.  
 Ikrusher, Vslim, disclosed on Internet prior to Sep. 27, 2019, <https://www.ikrusher.com/vslim/>.  
 Lighterusa, iKrusher Vslim replacement Pod, disclosed on Internet prior to Sep. 27, 2019, <https://www.lighterusa.com/products/vslim-replacement-pod?variant=15737215221869>.  
 Lighterusa, Pax Era, disclosed on Internet prior to Sep. 27, 2019, <https://www.lighterusa.com/products/pax-era>.  
 Juul, The Device, disclosed on Internet prior to Sep. 27, 2019, <https://www.juul.com/learn/device>.

\* cited by examiner

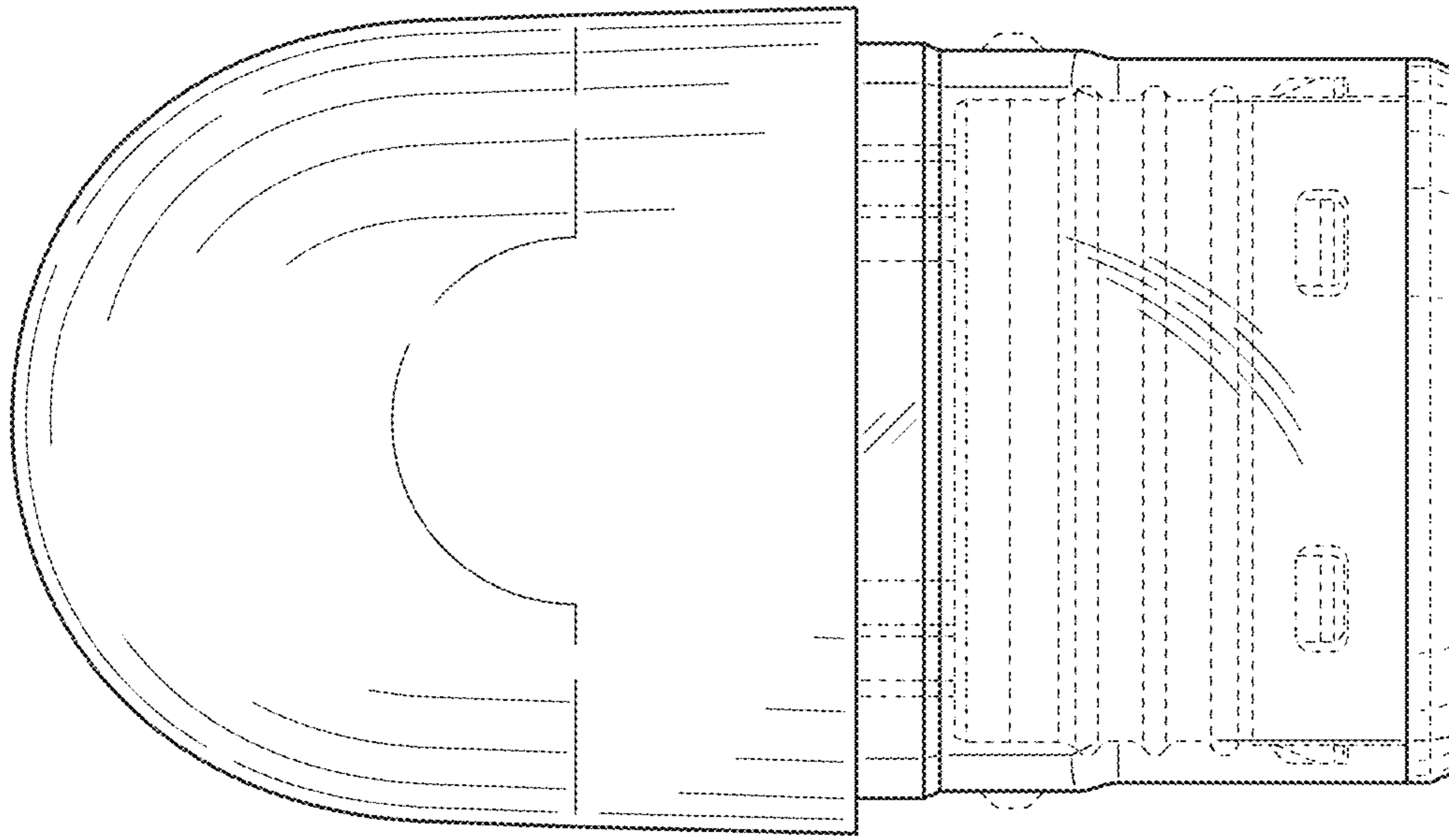


FIG. 3

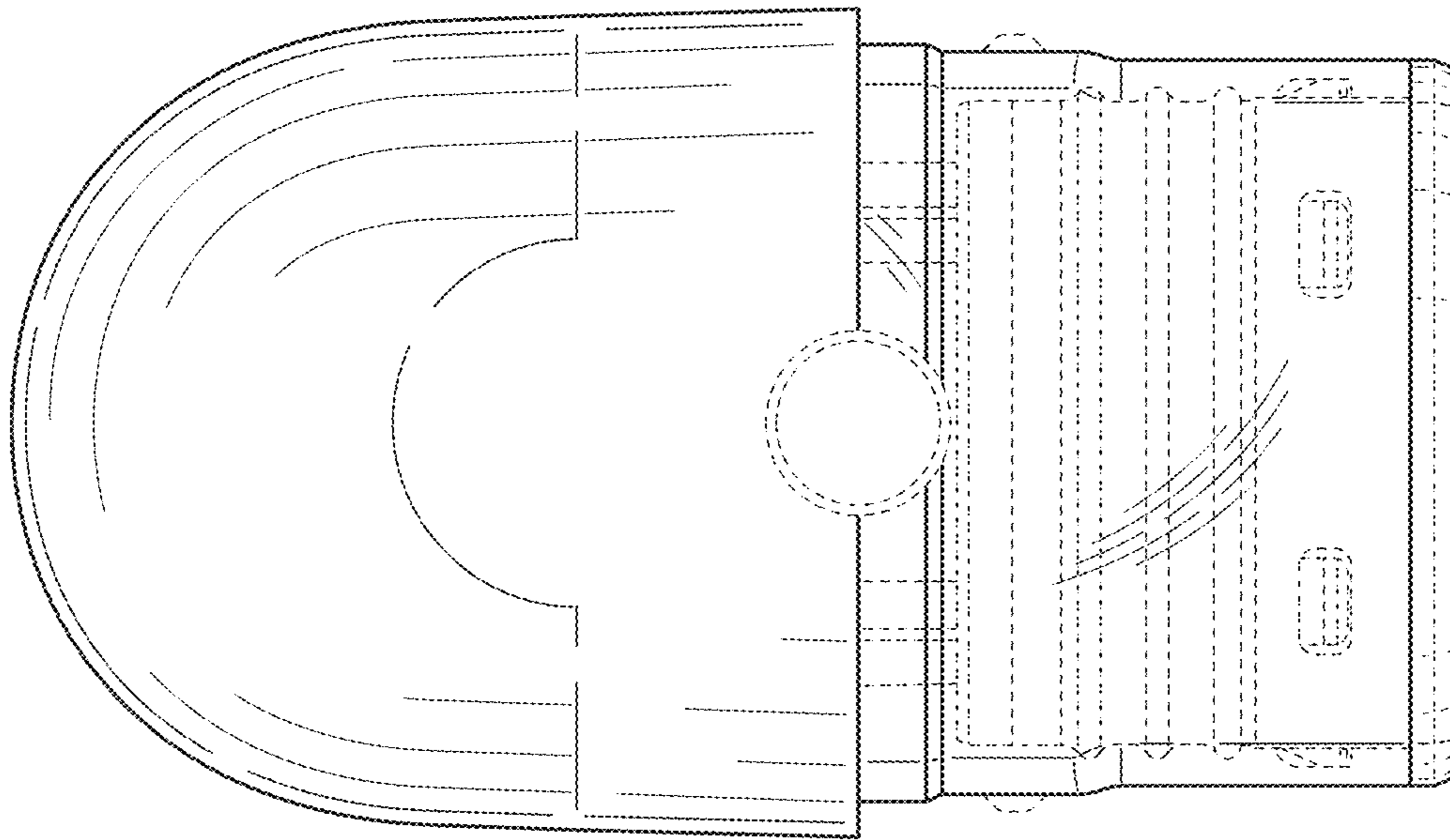


FIG. 2

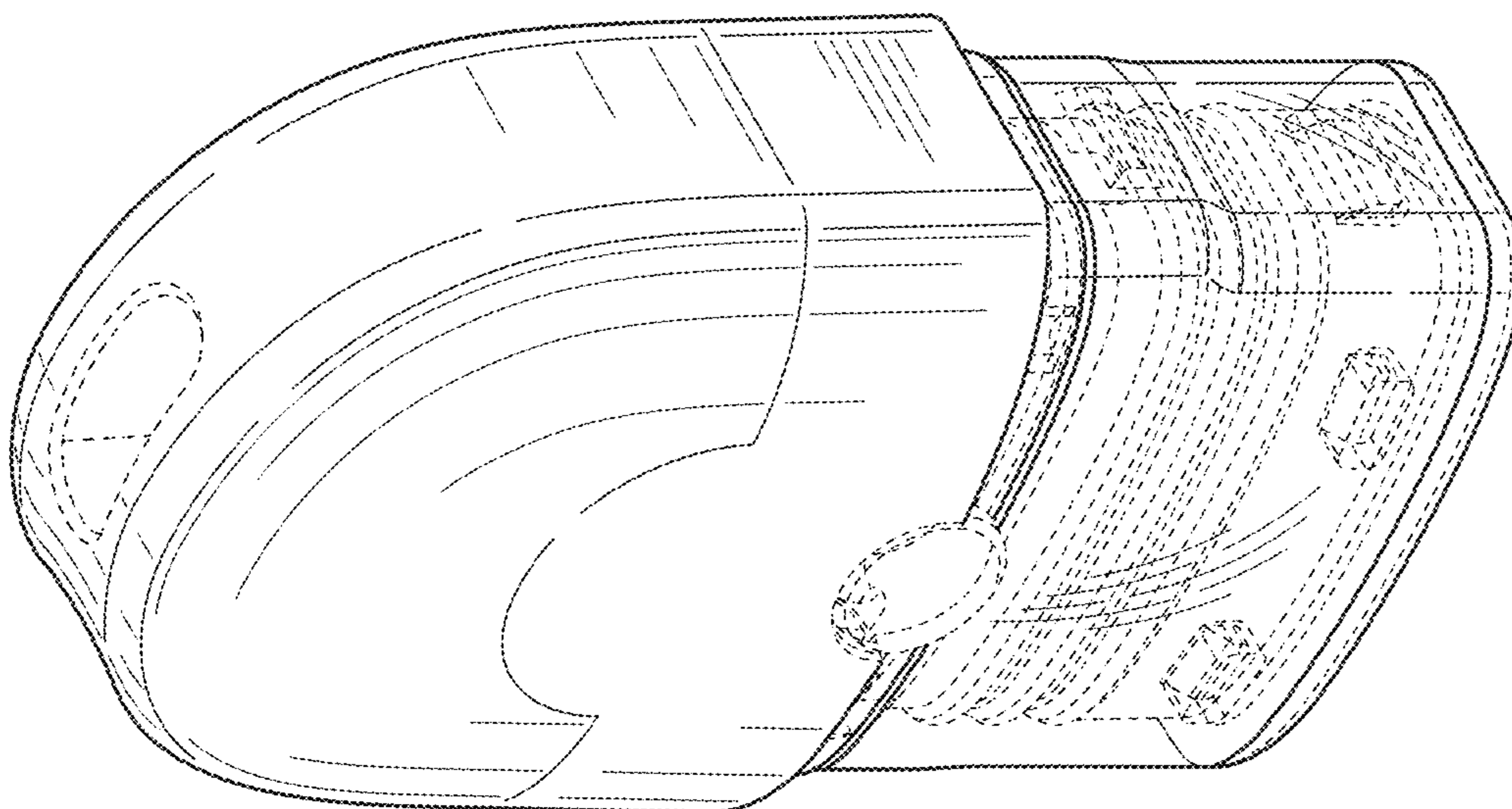


FIG. 1

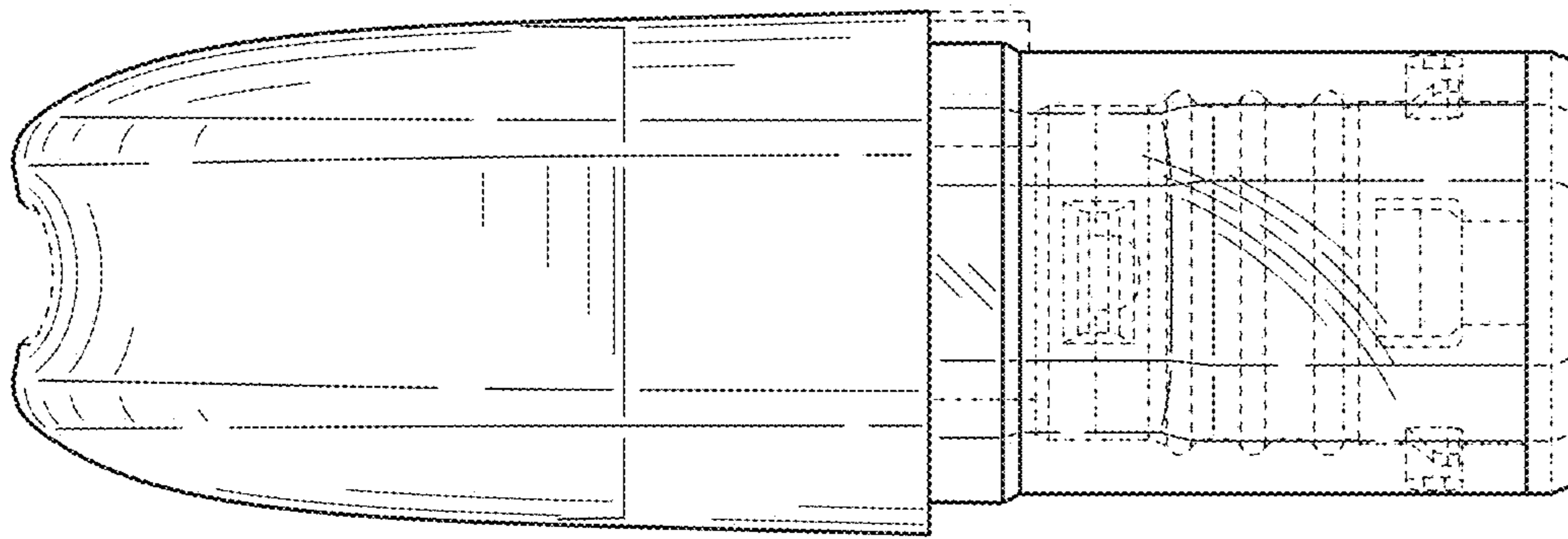


FIG. 4

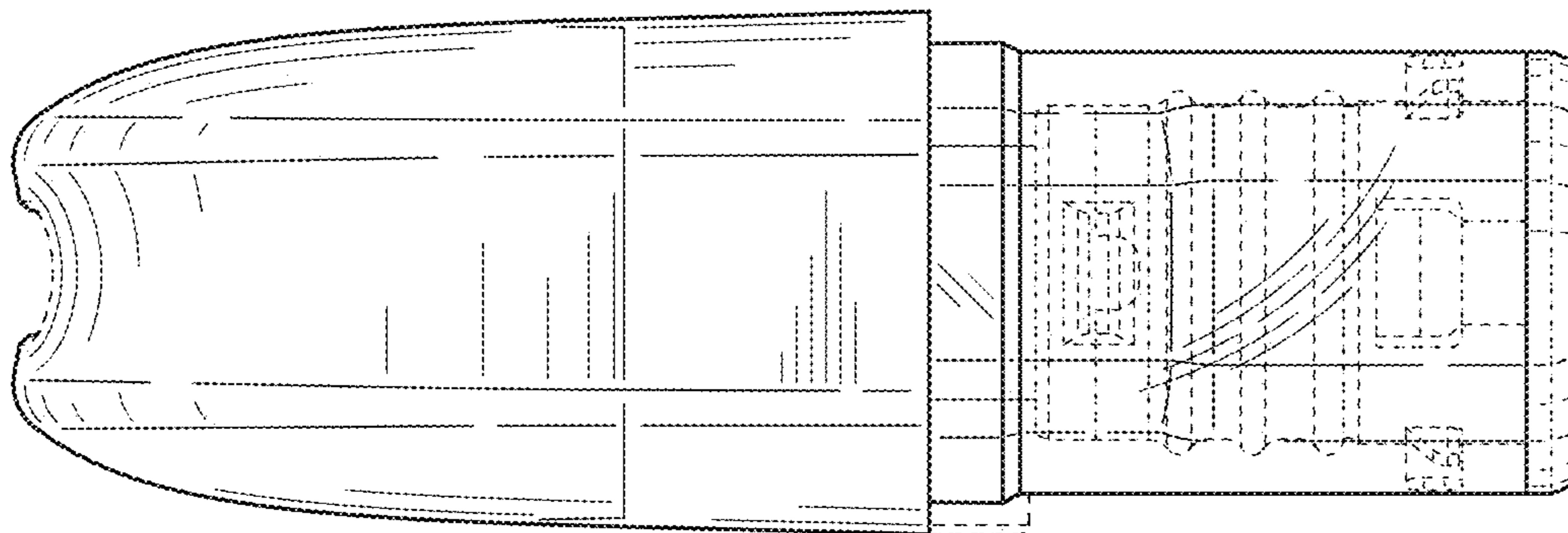


FIG. 5

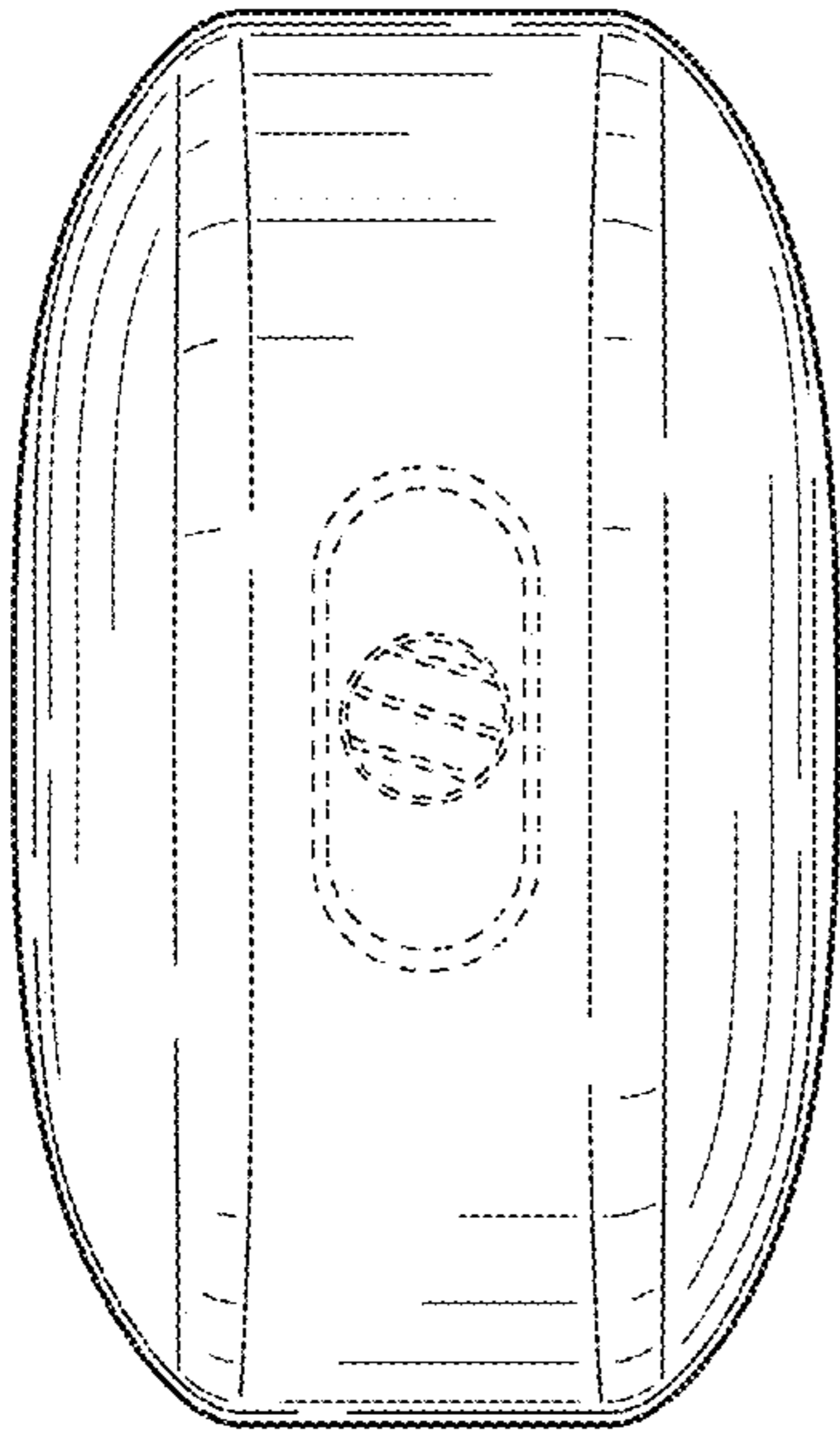


FIG. 6

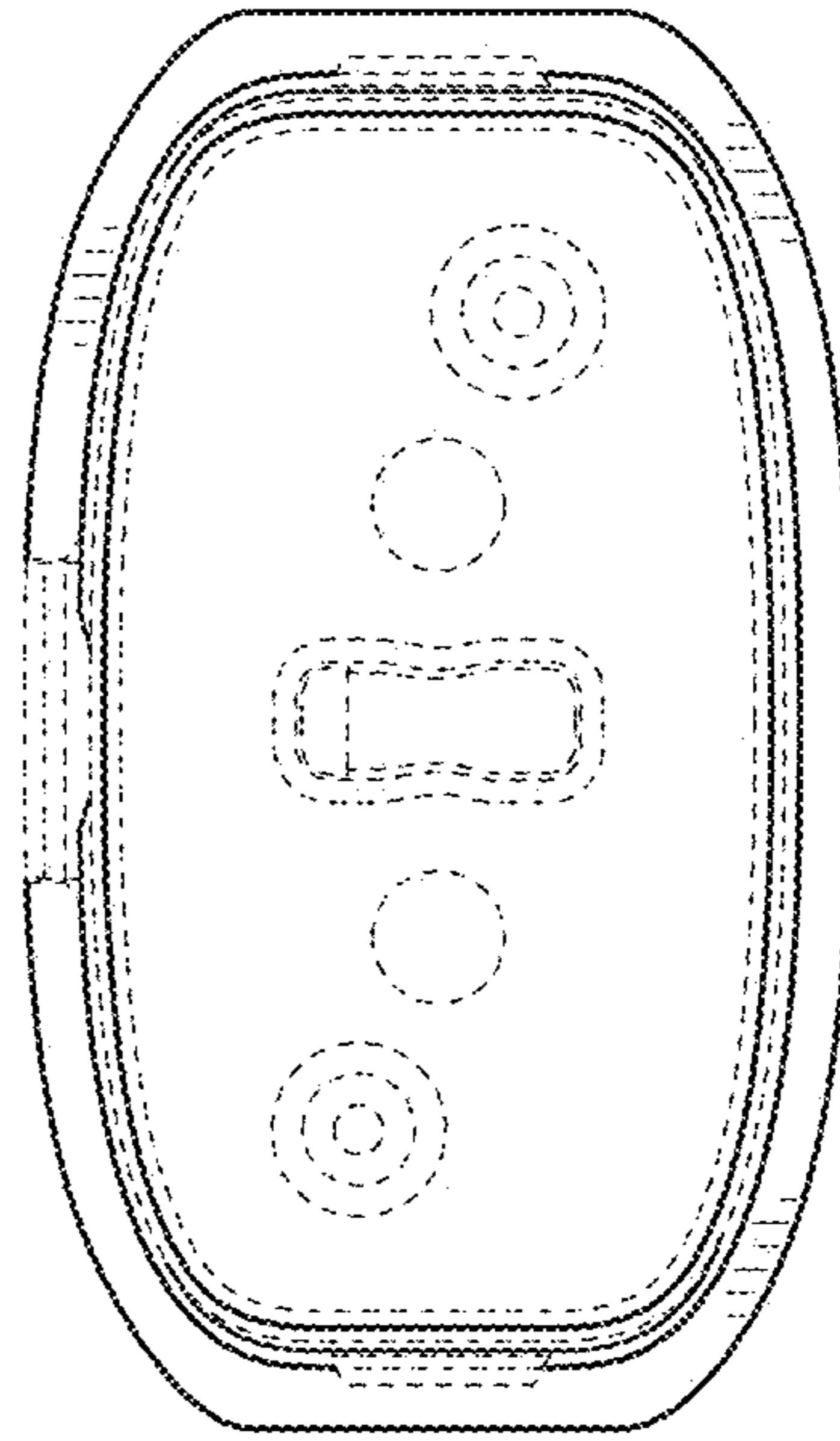


FIG. 7