



US00D932093S

(12) **United States Design Patent** (10) **Patent No.:** **US D932,093 S**
Shi et al. (45) **Date of Patent:** **** Sep. 28, 2021**

(54) **ELECTRONIC ATOMIZING DEVICE**
(71) Applicant: **Shenzhen Smoore Technology Limited**, Guandong (CN)
(72) Inventors: **You Shi**, Shenzhen (CN); **Yu Liu**, Shenzhen (CN); **Baosheng Lai**, Shenzhen (CN)
(73) Assignee: **SHENZHEN SMOORE TECHNOLOGY LIMITED**, Shenzhen (CN)
(**) Term: **15 Years**
(21) Appl. No.: **29/710,691**
(22) Filed: **Oct. 25, 2019**
(30) **Foreign Application Priority Data**
May 15, 2019 (CN) 201930235619.4
May 15, 2019 (CN) 201930238582.0
(51) **LOC (13) Cl.** **27-02**
(52) **U.S. Cl.**
USPC **D27/162**
(58) **Field of Classification Search**
USPC D27/100, 101, 137, 162, 163, 164, 165, D27/166, 167, 168, 169, 170, 171, 172, D27/173, 174, 175, 176, 177, 178, 179, D27/180, 181, 182, 183, 184, 185, 186, D27/187, 188, 189, 190, 191, 192, 193, D27/194, 196; D24/110, 110.4, 110.5, D24/110.6, 113; D28/91.1; D23/360, D23/362
CPC A24F 47/008; A24F 40/10; A24F 40/40; A24F 40/46; A24F 40/42; A24F 40/44; A24F 47/00; A24F 40/485; A24F 40/48; A24F 40/70; A24F 40/05; A24F 7/00; A24F 40/465; A24F 40/49; A24F 40/50; A24F 47/002; A24F 1/00; A24F 1/02; A24F 1/32;

(Continued)

(56) **References Cited**
U.S. PATENT DOCUMENTS
D277,034 S * 1/1985 Ramsdell D27/187
D747,265 S * 1/2016 Marini D13/107
(Continued)

FOREIGN PATENT DOCUMENTS
CA 185261 * 12/2019
CN 201730586277 * 6/2018
(Continued)

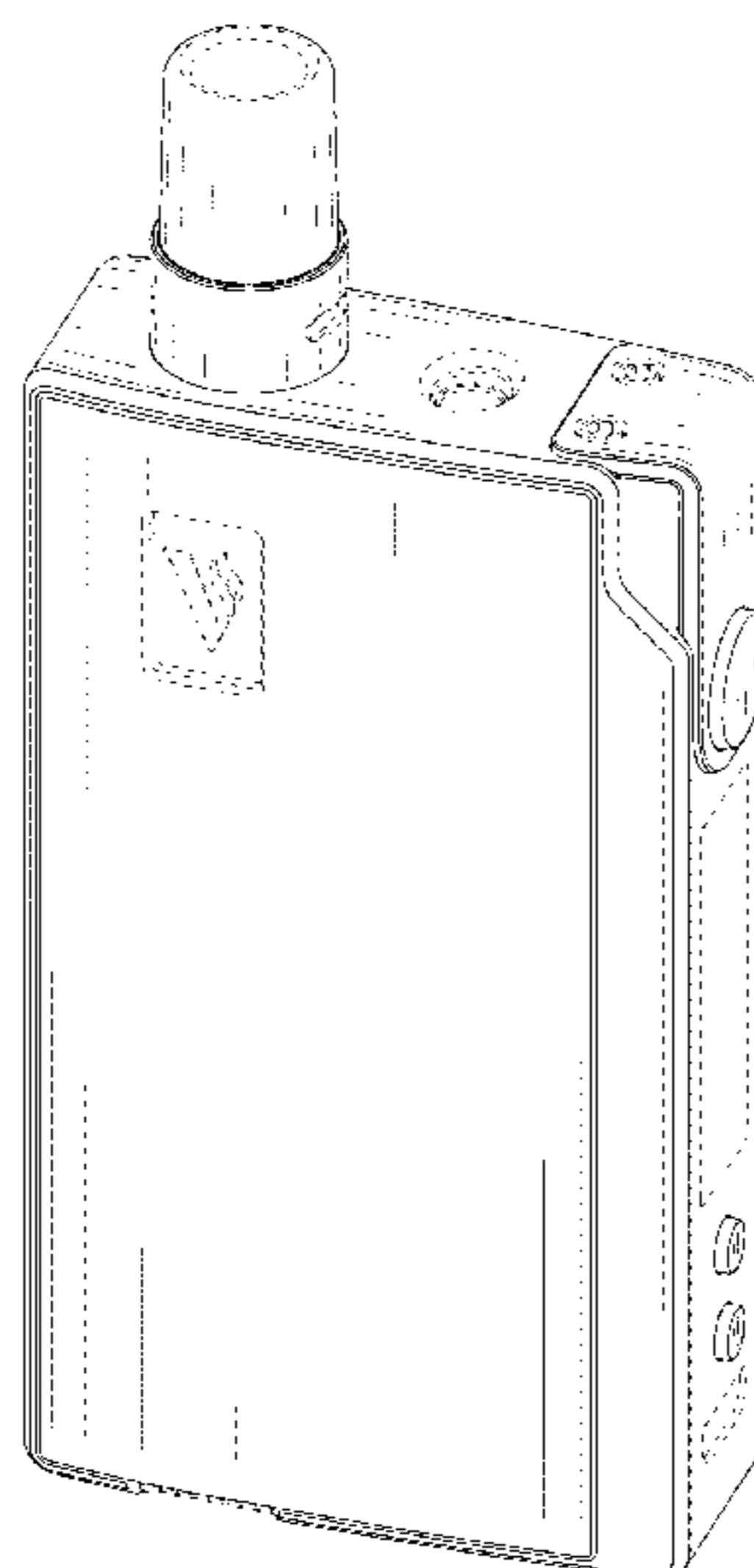
OTHER PUBLICATIONS
LITL 1 Review and How to. By TVAPE. Dated Feb. 25, 2019. Found online [Jan. 26, 2021]. https://www.youtube.com/watch?v=hG_sNrIhiRA (Year: 2019).*
(Continued)

Primary Examiner — Marissa J Cash
Assistant Examiner — William B Melliar

(57) **CLAIM**
The ornamental design for an electronic atomizing device, as shown and described.

DESCRIPTION
FIG. 1 is a perspective view of an electronic atomizing device;
FIG. 2 is another perspective view thereof;
FIG. 3 is a front elevational view thereof;
FIG. 4 is a rear elevational view thereof;
FIG. 5 is a left side elevational view thereof;
FIG. 6 is a right side elevational view thereof;
FIG. 7 is a top plan view thereof; and,
FIG. 8 is a bottom plan view thereof.
The broken lines in the drawings depict portions of the electronic atomizing device that form no part of the claimed design.

1 Claim, 8 Drawing Sheets



(58) **Field of Classification Search**

CPC A24F 40/51; A24F 40/57; A24F 47/004;
 A24F 7/02; A24F 9/16; A24F 40/60;
 A24F 40/20; A24F 40/65; A24F 40/53;
 A24F 40/30; A24F 40/90; A24F 40/95;
 A24F 13/00; A24F 15/12; A24F 15/14;
 A24F 15/18; A24F 2700/03; A24F 40/85;
 A24F 42/20; A24F 42/60; A24F 7/04;
 A24F 15/00; A24F 15/015; A24F 40/00

See application file for complete search history.

D894,481 S * 8/2020 Gould D27/162
 D910,234 S * 2/2021 Sun D27/162
 D911,599 S * 2/2021 Sun D27/162
 2006/0243274 A1* 11/2006 Lieberman A61M 15/0085
 128/200.14
 2017/0064999 A1* 3/2017 Perez A24F 40/42

FOREIGN PATENT DOCUMENTS

CN 201930235619.4 * 9/2019
 CN 201930487005.5 * 4/2020
 CN 201930660391.3 * 4/2020

(56) **References Cited**

U.S. PATENT DOCUMENTS

D749,261 S * 2/2016 Chen D27/162
 D758,656 S * 6/2016 Freshwater D27/163
 D769,721 S * 10/2016 Zahr D9/523
 D771,867 S * 11/2016 Leidel D27/163
 D773,114 S * 11/2016 Leidel D27/163
 D775,762 S * 1/2017 Chen D27/101
 D788,362 S * 5/2017 Qiu D27/101
 D790,766 S * 6/2017 Li D27/163
 D799,746 S * 10/2017 Leidel D27/163
 D800,377 S * 10/2017 Liu D27/101
 9,867,399 B1 * 1/2018 Liu A24F 47/008
 D819,880 S * 6/2018 Qiu D27/101
 D821,639 S * 6/2018 Dai D27/162
 D828,622 S * 9/2018 Chen D27/162
 D848,603 S * 5/2019 Fujino D24/110
 D864,475 S * 10/2019 Pierce D27/162
 D872,933 S * 1/2020 Santos D27/162
 D881,459 S * 4/2020 Ouyang D27/162
 D886,366 S * 6/2020 Liu D27/162

OTHER PUBLICATIONS

Vapresso Degree Pod Kit—Full Unboxing from Ave40. By Ave 40. Dated Oct. 18, 2019. Found online [Jan. 26, 2021]. <https://www.youtube.com/watch?v=pYitlma5Aws> (Year: 2019).*

Voopoo Drag 2 Mini Kit [Full Vape Review] with UForce T2 Tank. By Mt. Baker Vapor. Dated Feb. 7, 2019. Found online [Jan. 26, 2021]. <https://www.youtube.com/watch?v=fb16kKi3Haw> (Year: 2019).*

Sigelei Compak A1 Review. By Vaping Insider. Dated May 15, 2018. Found online [Jan. 26, 2021]. <https://www.youtube.com/watch?v=eVPTBME-kLA> (Year: 2018).*

Introducing the Aspire Odyssey Mini Kit: Unboxing and Demo Video. By Aspire Hookah. Dated Dec. 17, 2015. Found online [Jan. 26, 2021]. <https://www.youtube.com/watch?v=KK8XTZxA2C8> (Year: 2015).*

Top E Cigarette Brands in 2020. By Starmometer. Dated Feb. 29, 2020. Found online [Jan. 26, 2021]. <https://starmometer.com/2020/02/29/top-e-cigarettes-brands-in-2020/> (Year: 2020).*

* cited by examiner

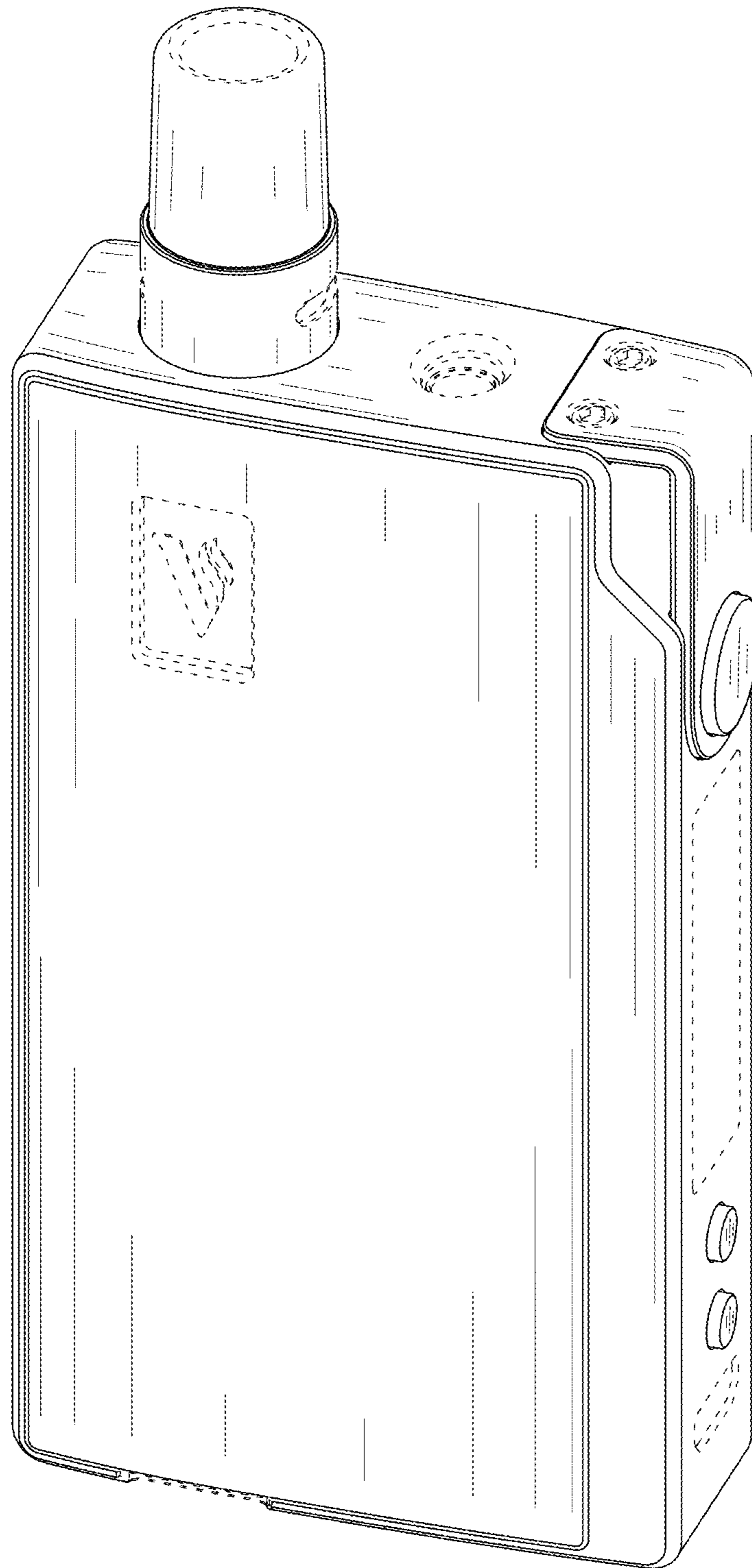


FIG. 1

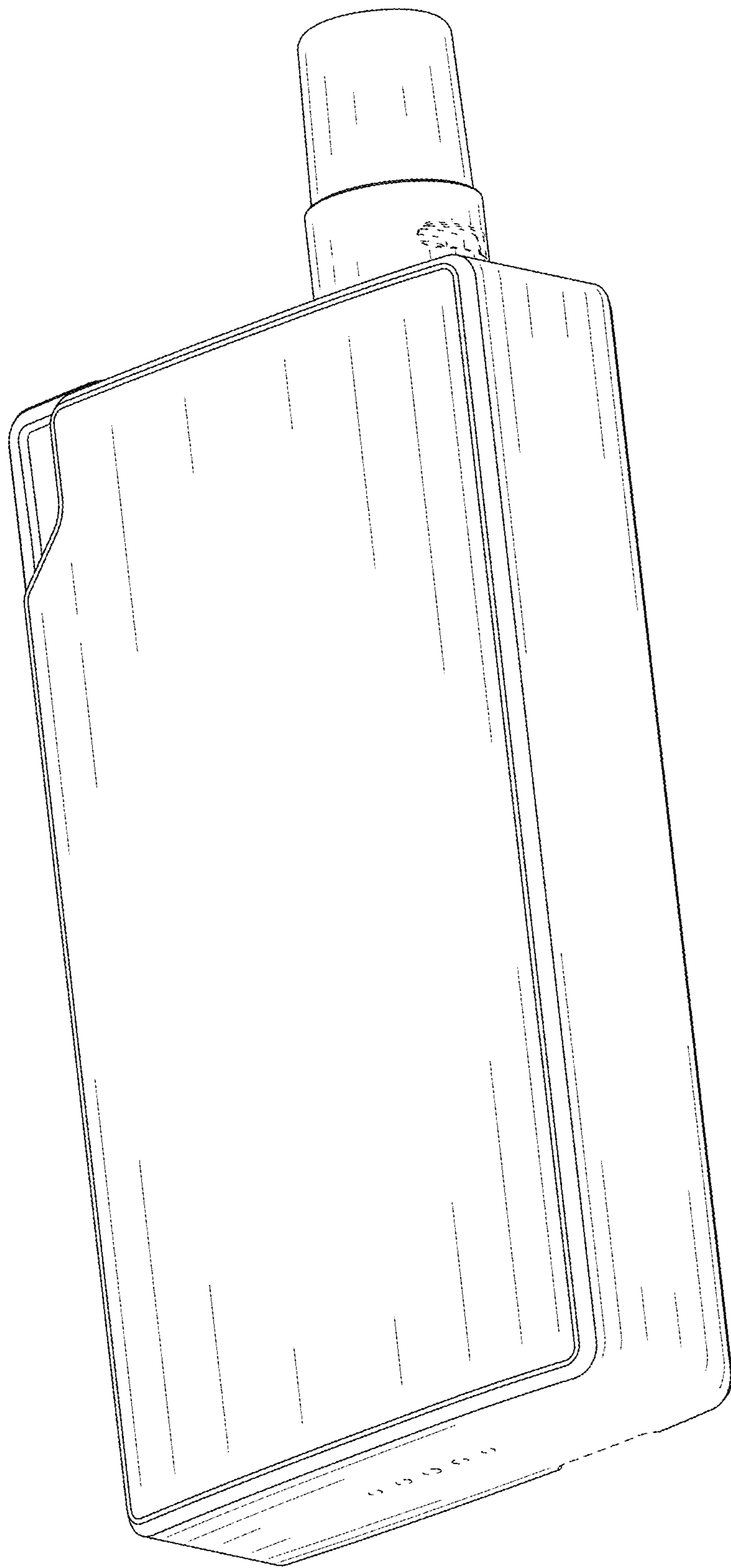


FIG. 2

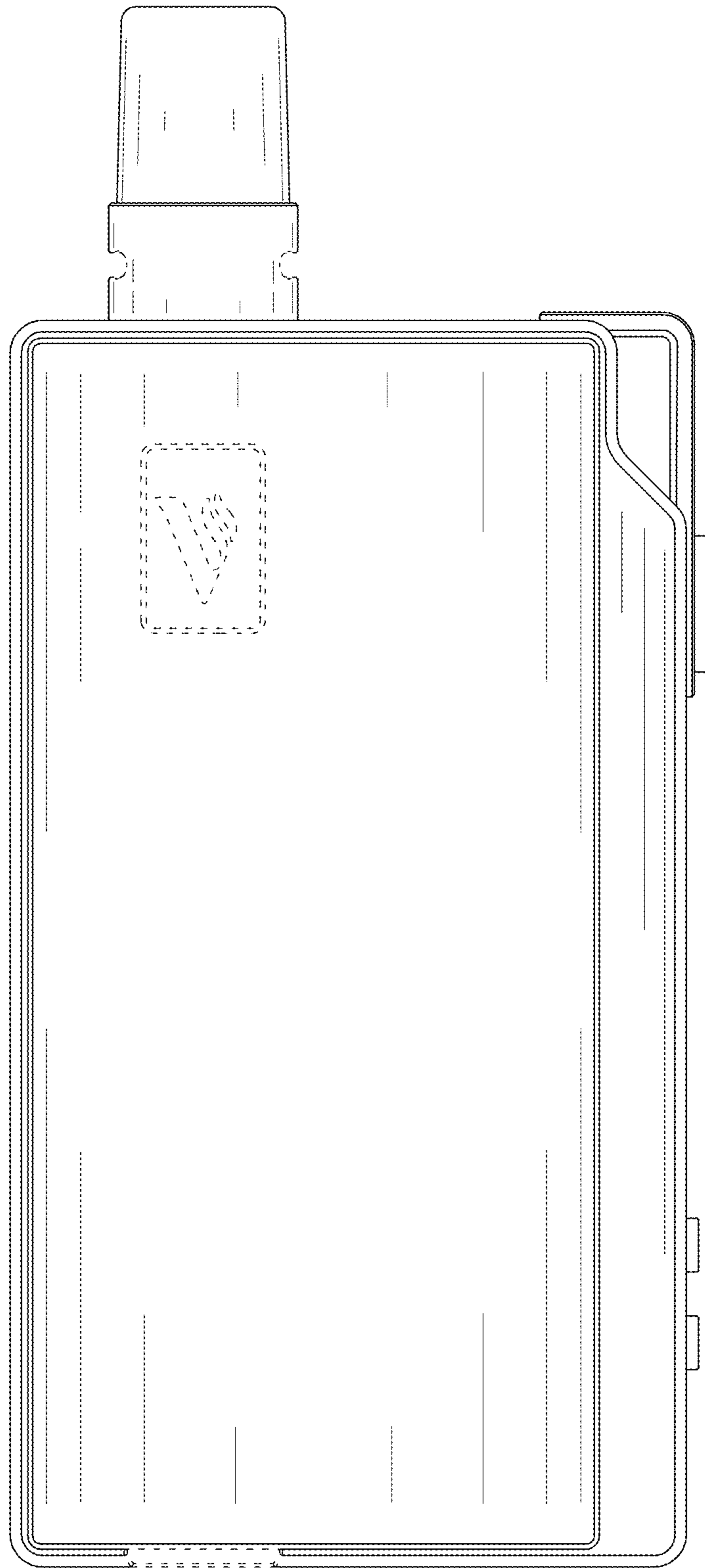


FIG. 3

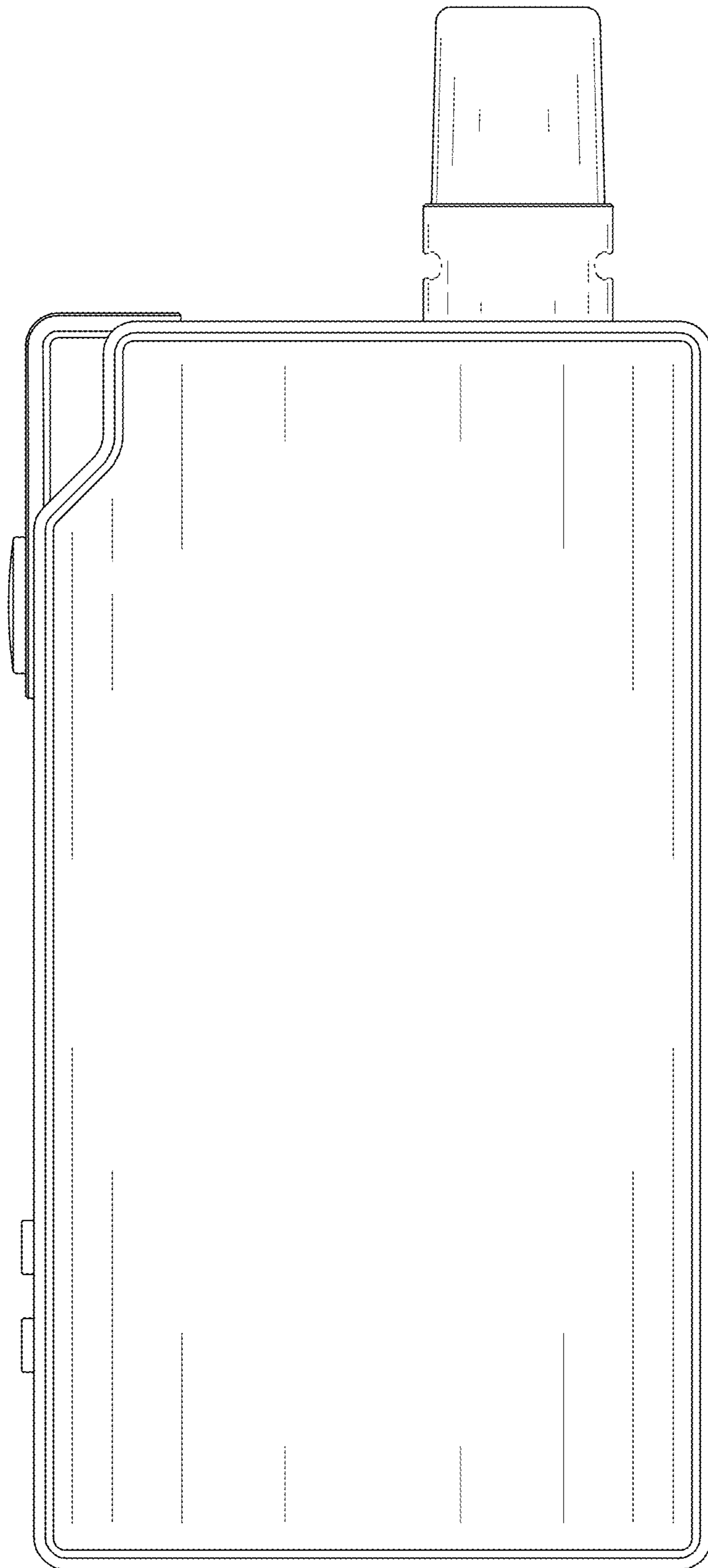


FIG. 4

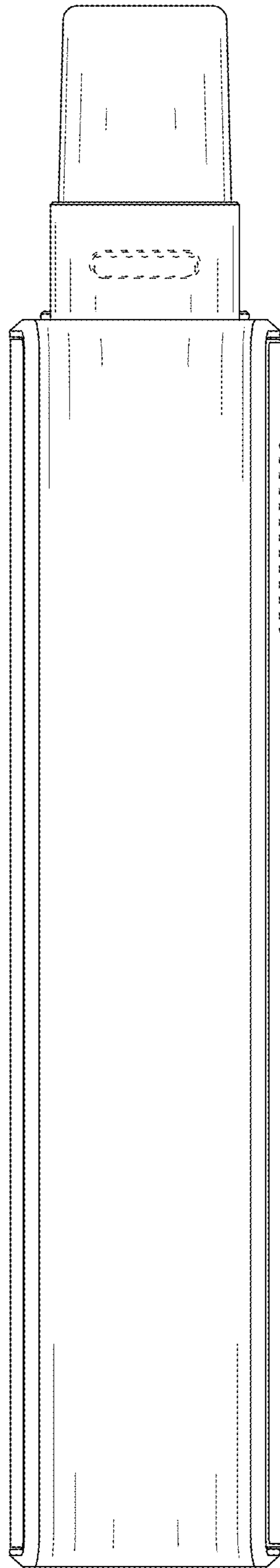


FIG. 5

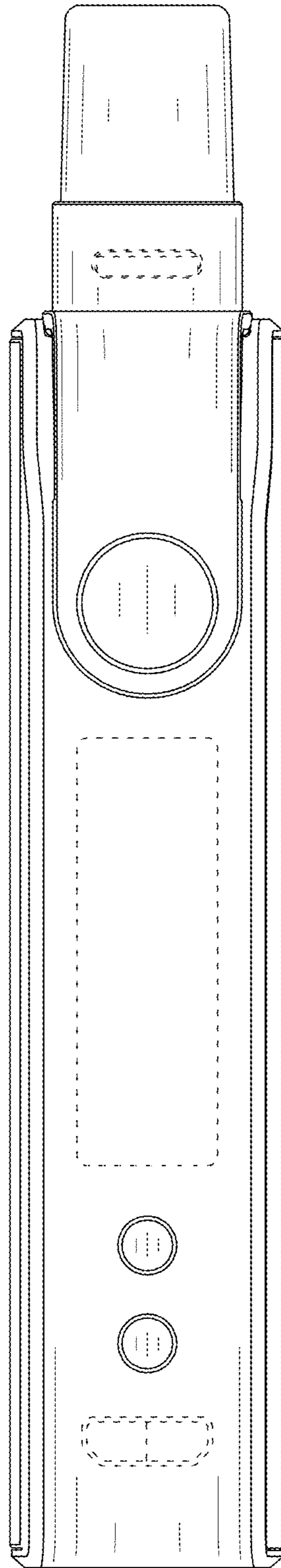


FIG. 6

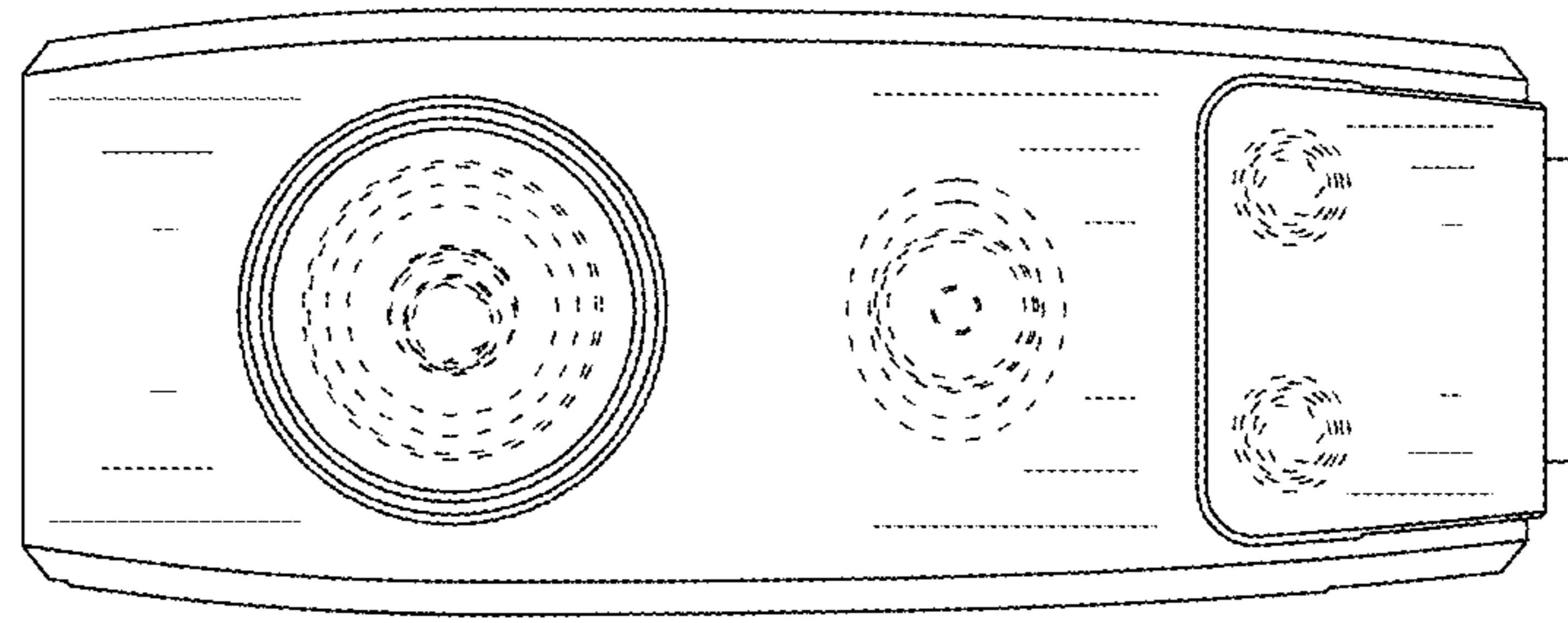


FIG. 7

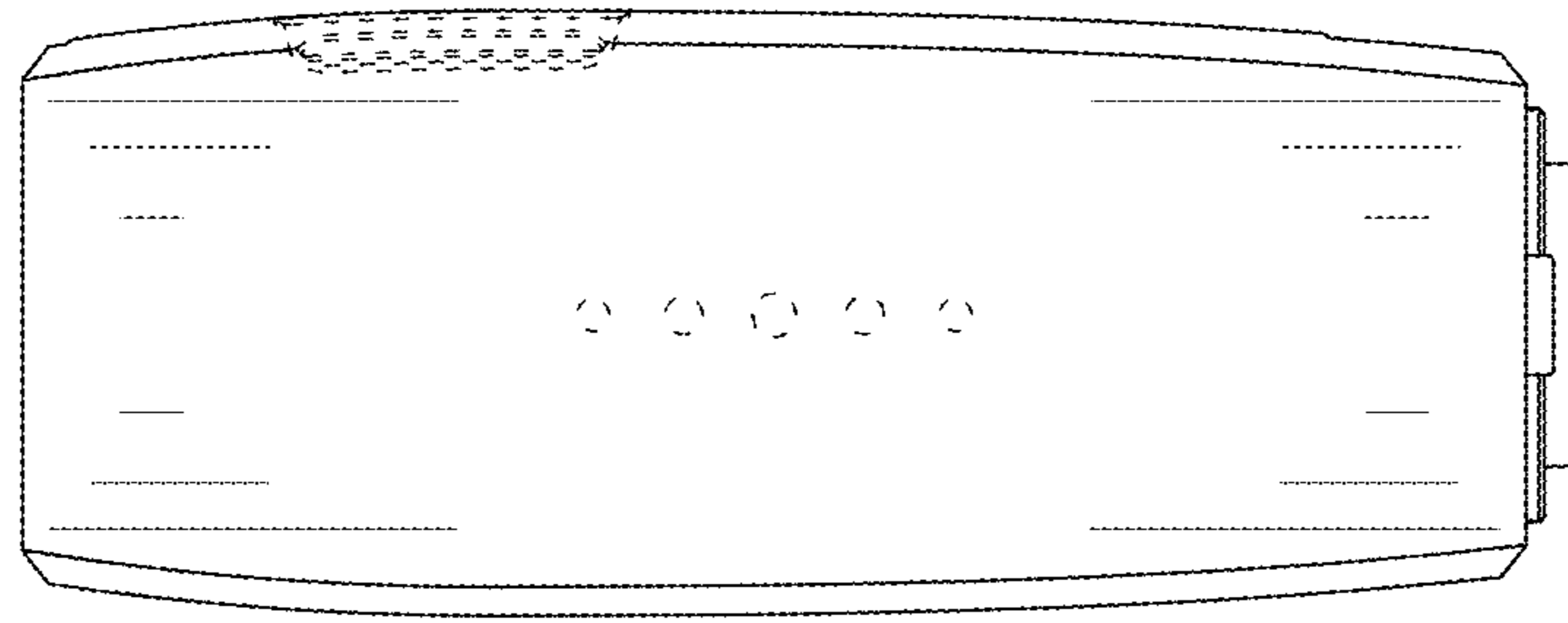


FIG. 8