



US00D932091S

(12) **United States Design Patent**  
**Lin**

(10) **Patent No.:** **US D932,091 S**

(45) **Date of Patent:** **\*\* Sep. 28, 2021**

(54) **AUTOMOBILE HEADLIGHT LENS**

(71) Applicant: **Chi-Chung Lin**, Hsinchu (TW)

(72) Inventor: **Chi-Chung Lin**, Hsinchu (TW)

(\*\*) Term: **15 Years**

(21) Appl. No.: **29/755,123**

(22) Filed: **Oct. 16, 2020**

(51) **LOC (13) Cl.** ..... **26-99**

(52) **U.S. Cl.**  
USPC ..... **D26/139**

(58) **Field of Classification Search**  
USPC ..... D26/28-36, 139  
CPC ..... F21S 48/00; F21S 48/10; F21S 48/115;  
F21S 48/225; F21S 48/1233; F21S  
48/1266; F21S 48/1388; F21S 48/2268;  
F21V 21/04; F21V 29/004; B60Q 9/13;  
B60Q 9/135; B60Q 9/1375  
See application file for complete search history.

(56) **References Cited**

**U.S. PATENT DOCUMENTS**

D425,240 S \* 5/2000 Goeckeritz ..... D26/139  
D440,694 S \* 4/2001 Jeffries ..... D26/139  
D796,092 S 8/2017 Ito et al.

D821,026 S \* 6/2018 Conway ..... D26/139  
D826,437 S 8/2018 Ito et al.  
D837,444 S 1/2019 Thomas  
D837,445 S 1/2019 Thomas  
D841,877 S \* 2/2019 Conway ..... D26/139  
D848,039 S 5/2019 Conway et al.  
D851,818 S 6/2019 Lin  
D863,663 S 10/2019 Lin  
D869,032 S 12/2019 Conway et al.

\* cited by examiner

*Primary Examiner* — Marcus A Jackson

(74) *Attorney, Agent, or Firm* — Alexander Chen, Esq.

(57) **CLAIM**

The ornamental design for an automobile headlight lens, as shown and described.

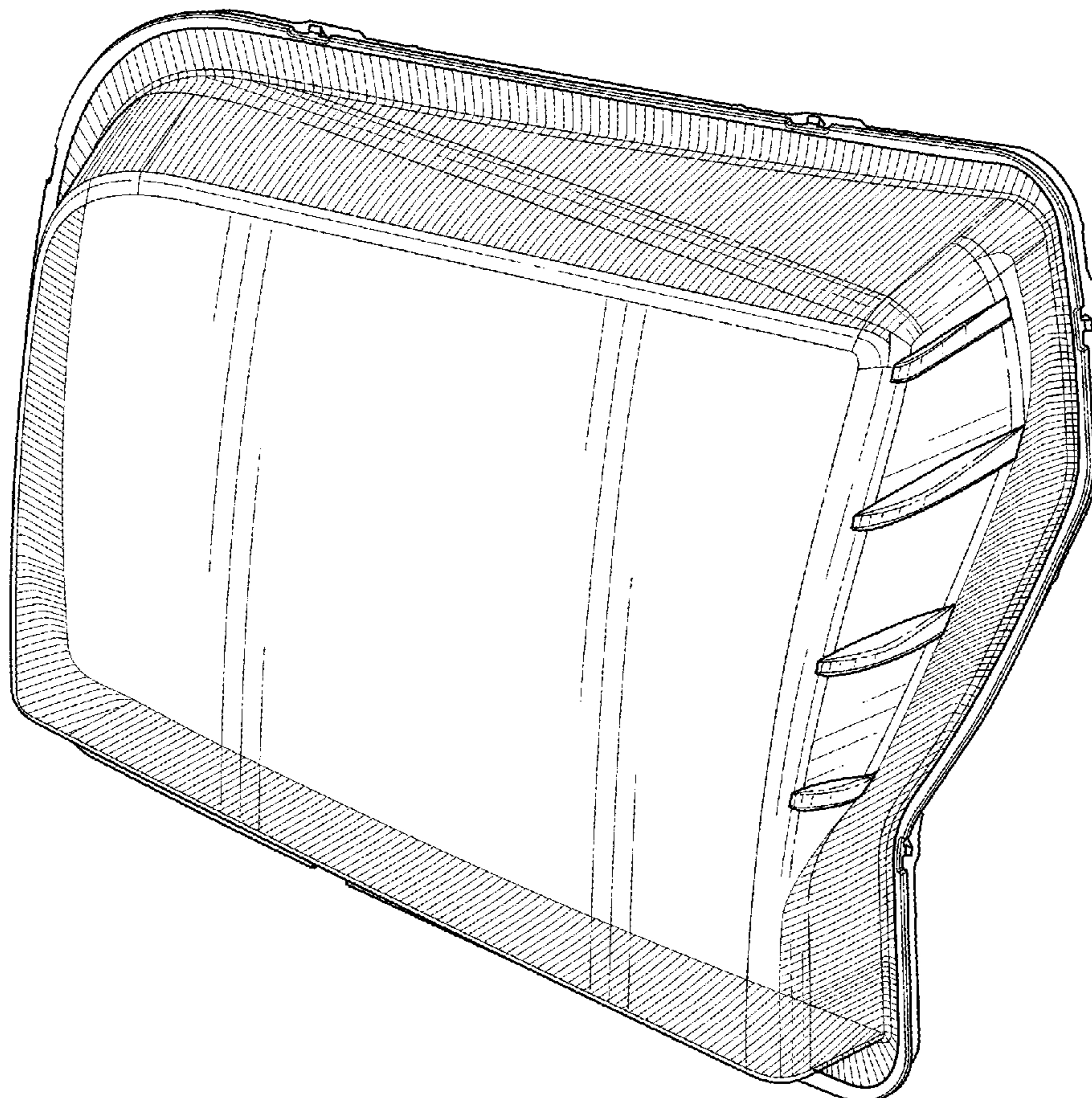
**DESCRIPTION**

FIG. 1 is a perspective view of an automobile headlight lens; FIG. 2 is a front view thereof; FIG. 3 is a side view thereof; FIG. 4 is a top view thereof; and, FIG. 5 is a bottom view thereof.

Any broken lines are included to show environmental structure and form no part of the claimed design.

The drawings and descriptions represent the left side embodiment. The claim is also for a mirror image right side embodiment.

**1 Claim, 5 Drawing Sheets**





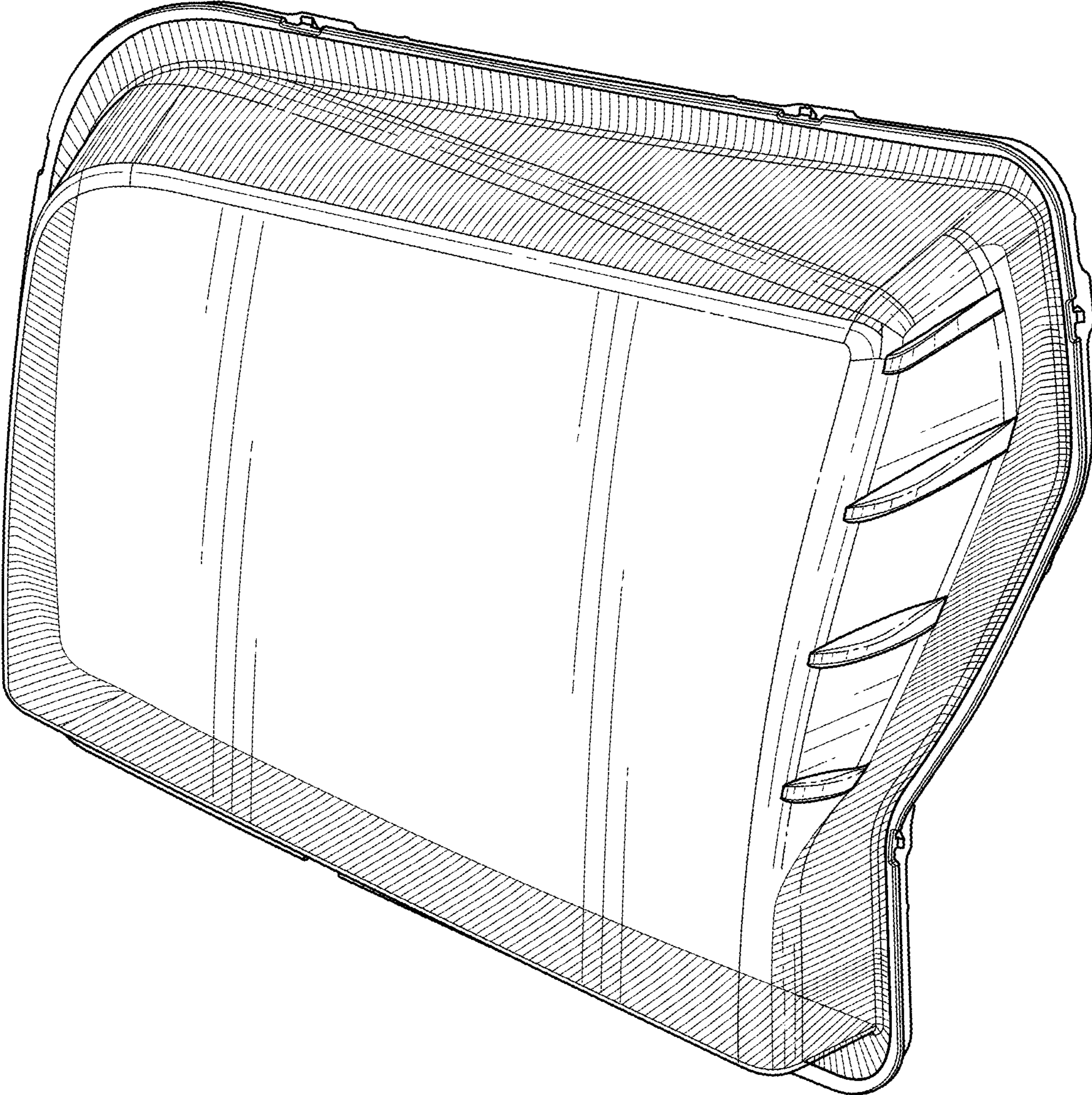


FIG. 1

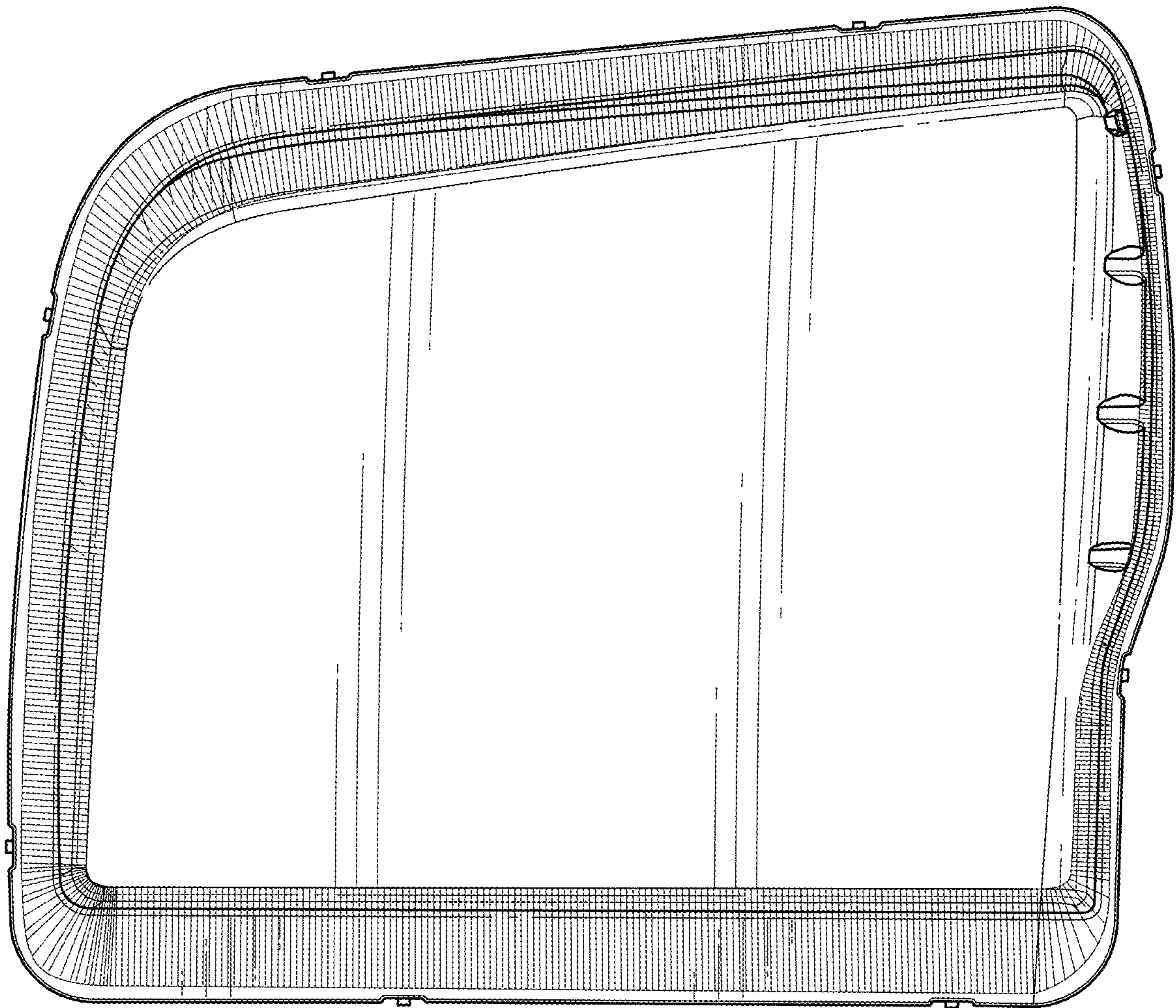


FIG. 2



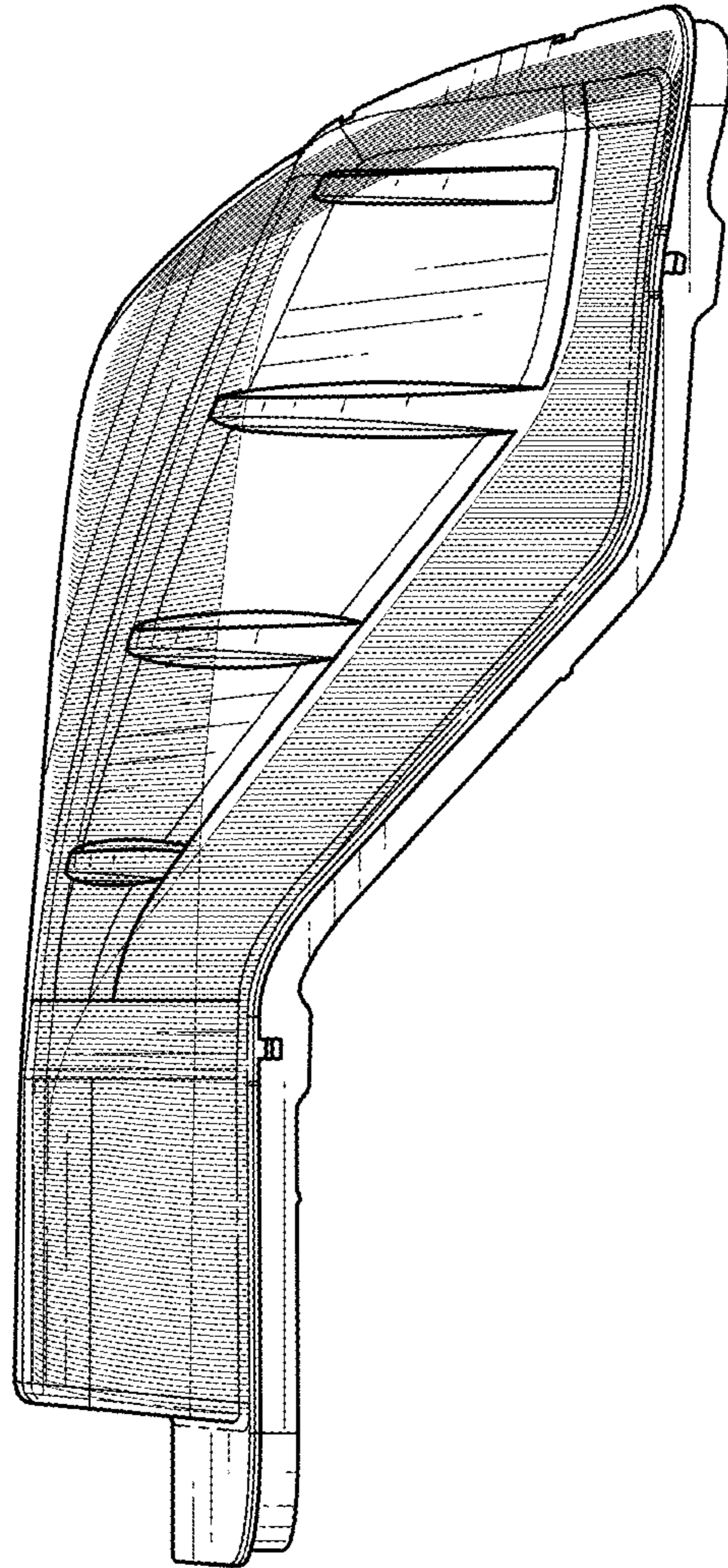


FIG. 3

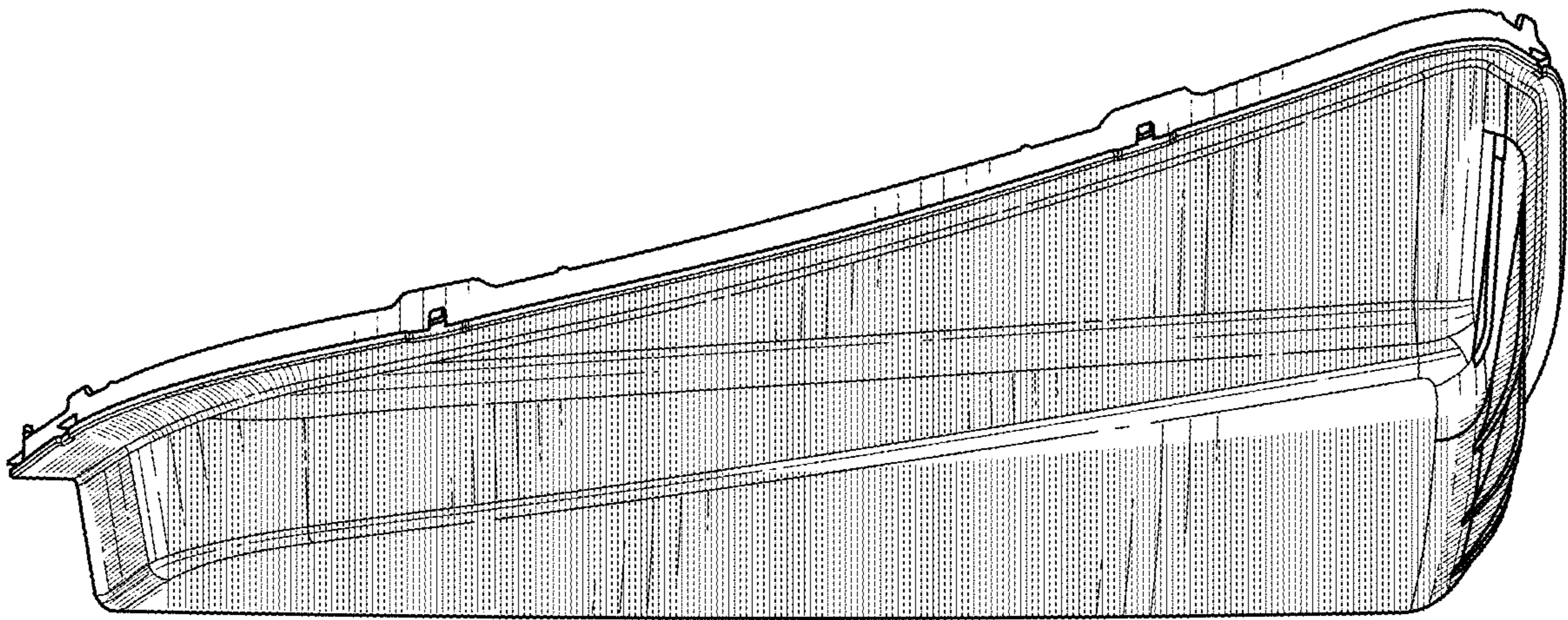


FIG. 4

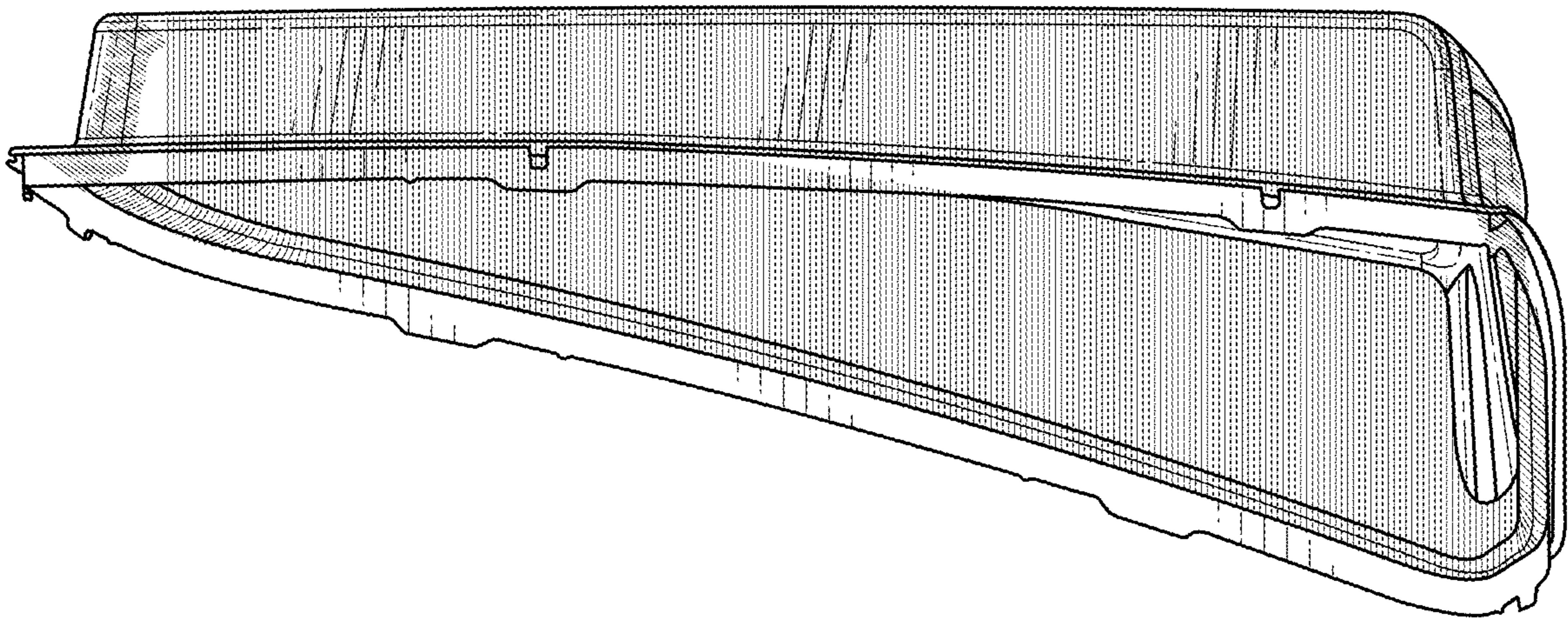


FIG. 5