



US00D932090S

(12) **United States Design Patent**
Amin et al.

(10) **Patent No.:** **US D932,090 S**
(45) **Date of Patent:** **** Sep. 28, 2021**

(54) **LIGHT FIXTURE**

(71) Applicant: **Hubbell Incorporated**, Shelton, CT
(US)

(72) Inventors: **Gaurav Subodhbhai Amin**,
Simpsonville, SC (US); **Dustin Michael
Parsons**, Greer, SC (US); **David John
Strang**, Anderson, SC (US);
Christopher Lane Bailey, Greenville,
SC (US)

(73) Assignee: **Hubbell Incorporated**, Shelton, CT
(US)

(**) Term: **15 Years**

(21) Appl. No.: **29/716,869**

(22) Filed: **Dec. 12, 2019**

(51) **LOC (13) Cl.** **26-05**

(52) **U.S. Cl.**
USPC **D26/118**

(58) **Field of Classification Search**
USPC D26/24, 72, 80, 81, 88, 86, 118, 119,
D26/120, 121, 130
CPC F21S 8/03; F21S 8/04; F21S 8/003; F21S
9/00; F21S 9/022; F21V 1/00; F21V
1/14; F21V 21/00; F21V 21/005; F21V
21/116; F21V 7/00; F21V 7/0025; F21V
15/00; F21V 15/01; F21V 15/012
See application file for complete search history.

(56) **References Cited**

U.S. PATENT DOCUMENTS

D793,616 S *	8/2017	Reynolds	D26/118
D797,351 S *	9/2017	Stanley	D26/118
D797,352 S *	9/2017	Stanley	D26/118
D797,353 S *	9/2017	Stanley	D26/118
D848,663 S *	5/2019	Reynolds	D26/118
D848,664 S *	5/2019	Reynolds	D26/118

D848,665 S *	5/2019	Stanley	D26/118
D857,285 S *	8/2019	Reynolds	D26/118
D863,657 S *	10/2019	Zaderej	D26/118
D871,654 S *	12/2019	Reynolds	D26/118
D879,364 S *	3/2020	Stanley	D26/118
D879,365 S *	3/2020	Stanley	D26/118
10,578,295 B2 *	3/2020	Scribante	F21K 9/278
D893,010 S *	8/2020	Niemiec	D23/366
D893,072 S *	8/2020	Niemiec	D26/59
D894,470 S *	8/2020	Reynolds	D26/118
D895,891 S *	9/2020	Reynolds	D26/118

(Continued)

Primary Examiner — Wan Laymon

Assistant Examiner — Clint A Samuel

(74) *Attorney, Agent, or Firm* — Michael Best &
Friedrich LLP

(57) **CLAIM**

We claim the ornamental design for a light fixture, as shown
and described.

DESCRIPTION

FIG. 1 is a top perspective view of a light fixture, showing
our new design.

FIG. 2 is a bottom perspective view of the light fixture
shown in FIG. 1.

FIG. 3 is a first side view of the light fixture shown in FIG.
1.

FIG. 4 is a second side view of the light fixture shown in
FIG. 1.

FIG. 5 is a top view of the light fixture shown in FIG. 1.

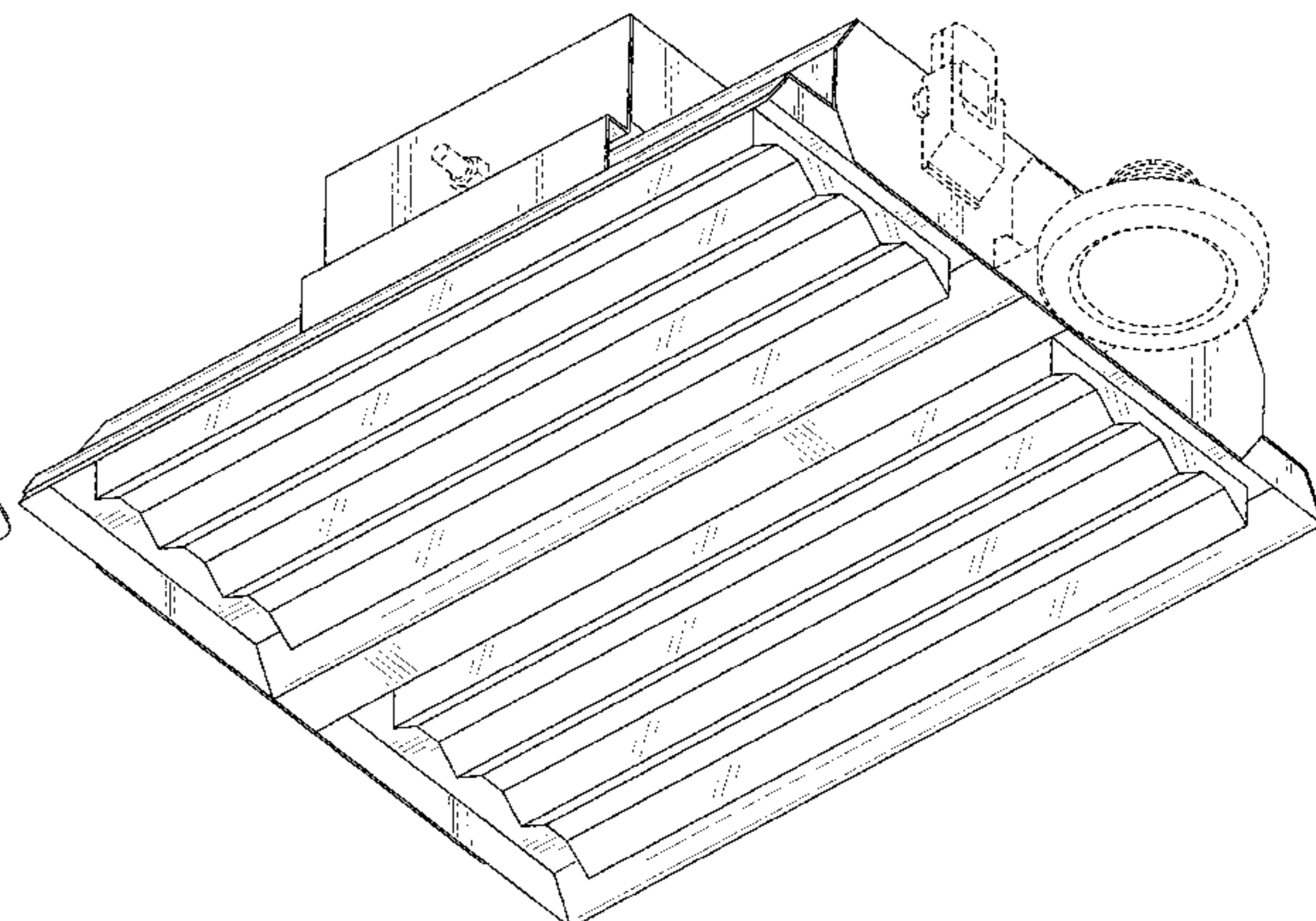
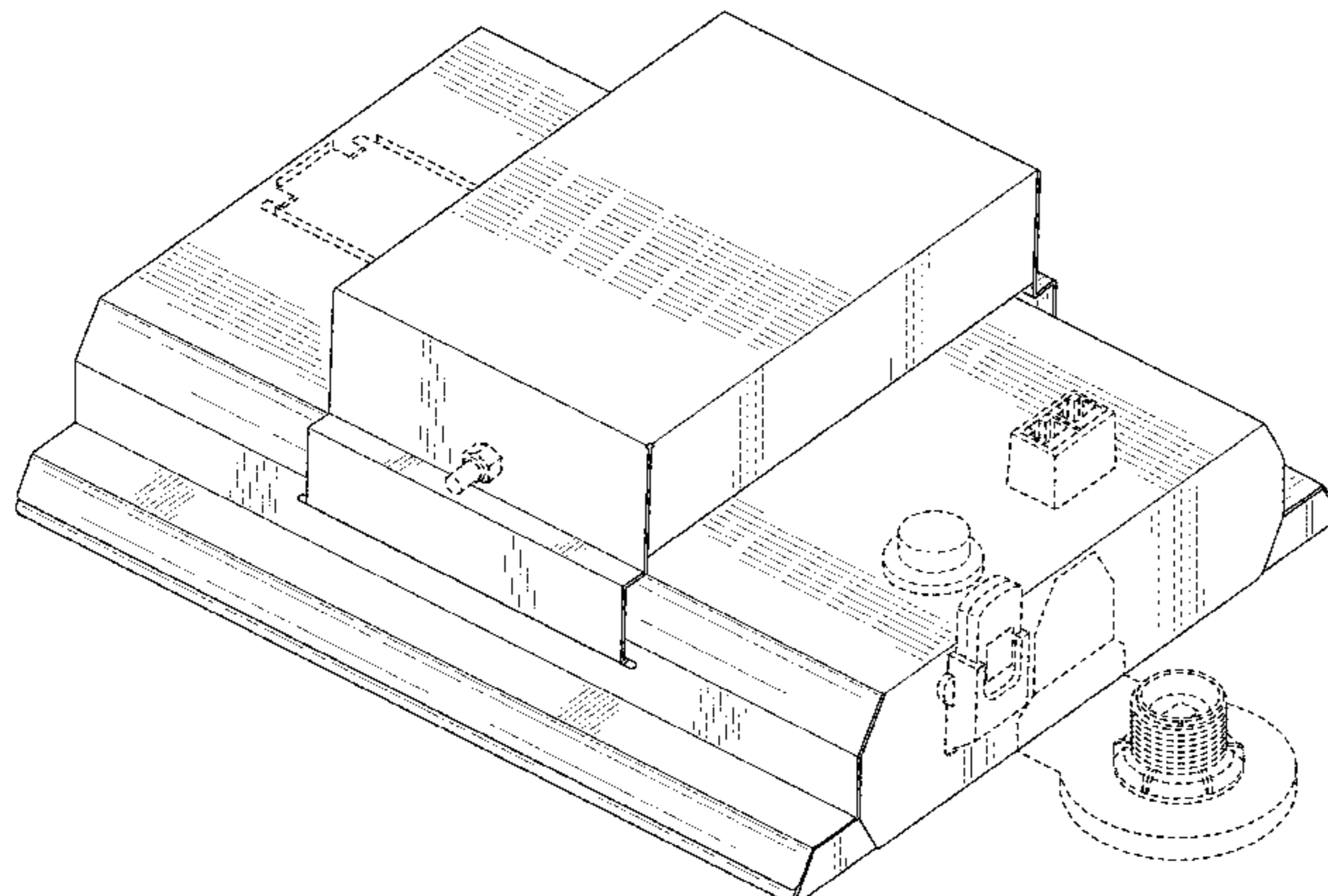
FIG. 6 is a bottom view of the light fixture shown in FIG. 1.

FIG. 7 is a first end view of the light fixture shown in FIG.
1; and,

FIG. 8 is a second end view of the light fixture shown in FIG.
1.

The elements shown in broken lines are included for the
purpose of illustrating environment and form no part of the
claimed design.

1 Claim, 8 Drawing Sheets



(56)

References Cited

U.S. PATENT DOCUMENTS

D897,028 S * 9/2020 Reynolds D26/118
D904,674 S * 12/2020 Reynolds D26/118
2017/0097152 A1* 4/2017 Scribante F21V 7/0083

* cited by examiner

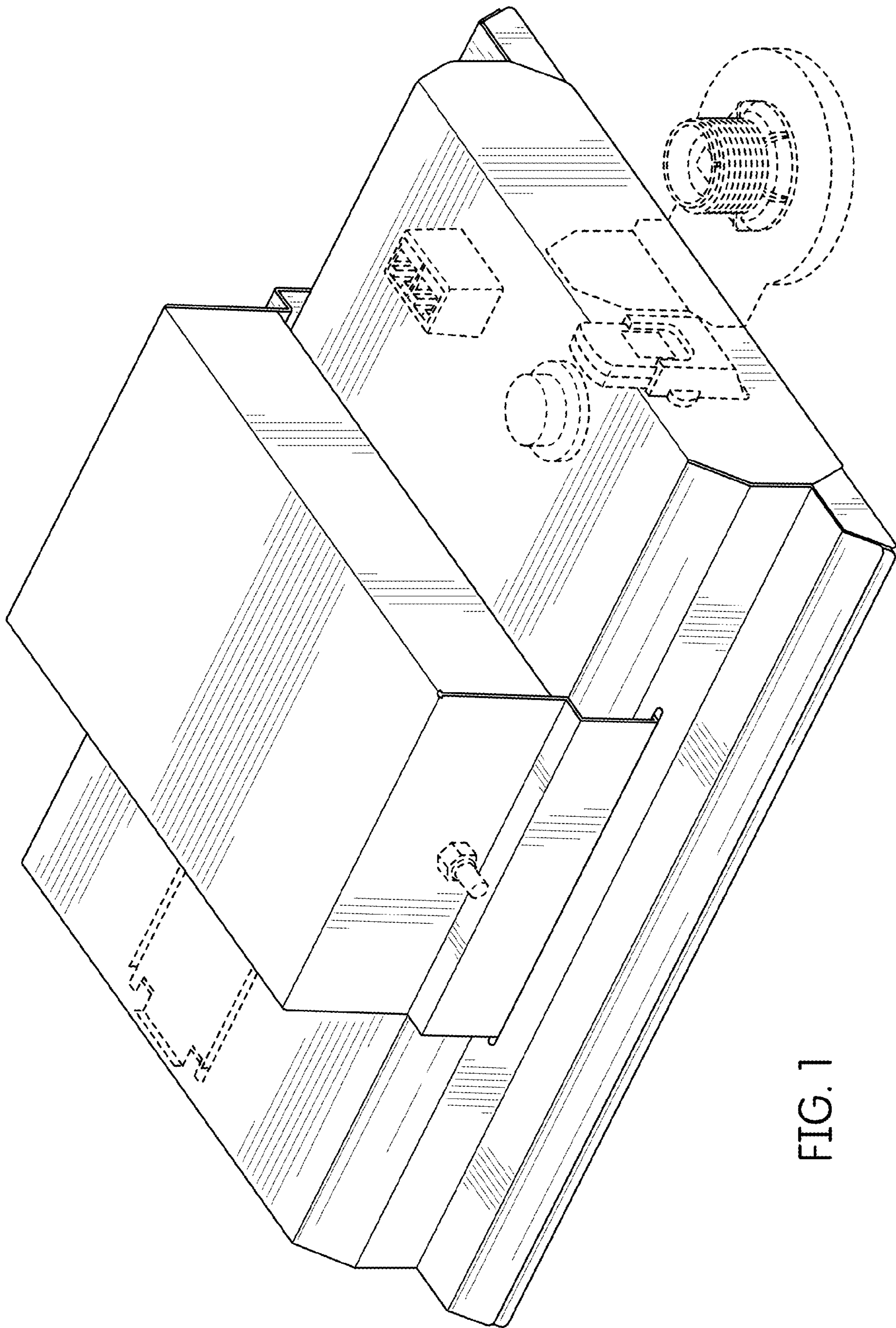


FIG. 1

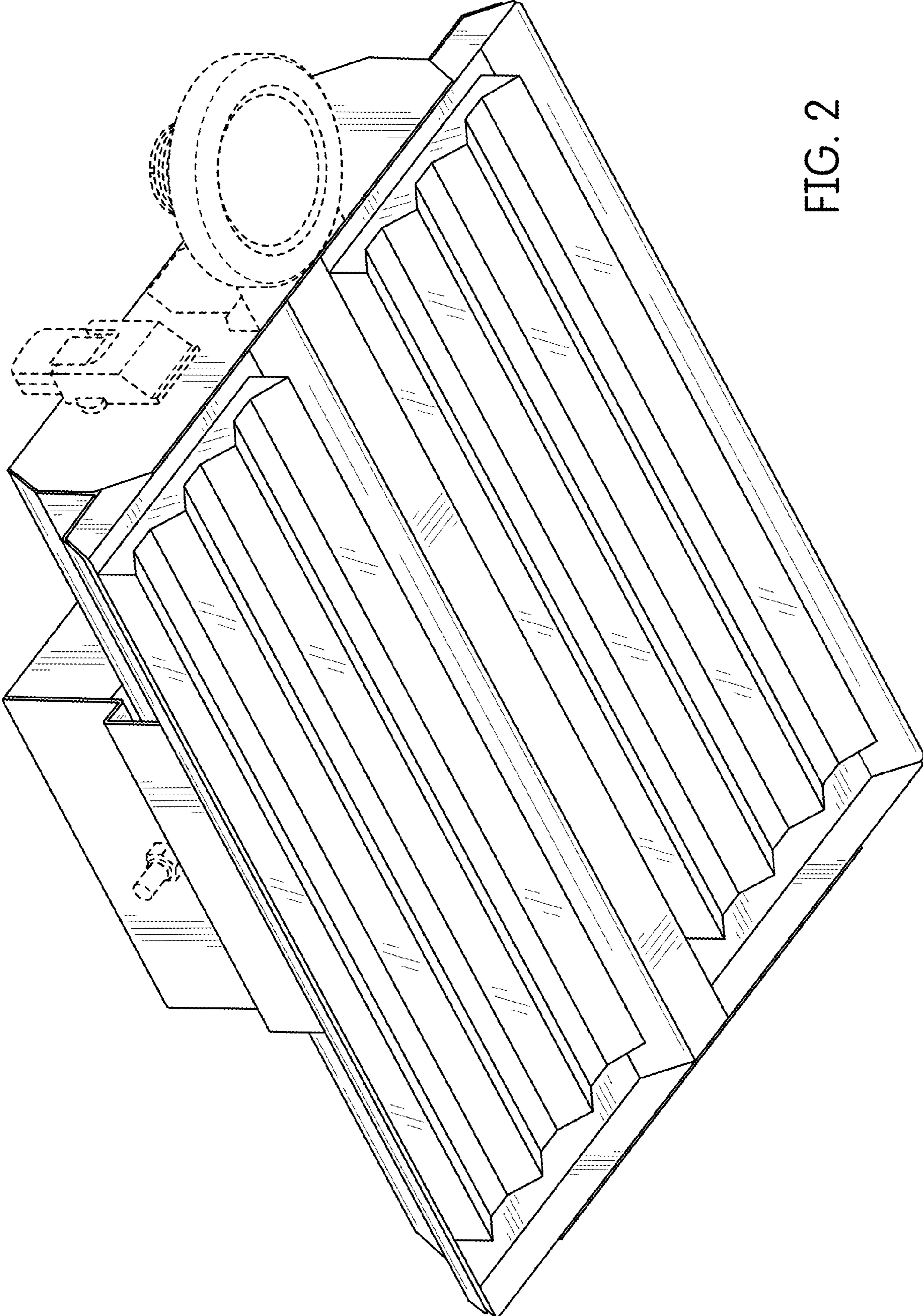


FIG. 2

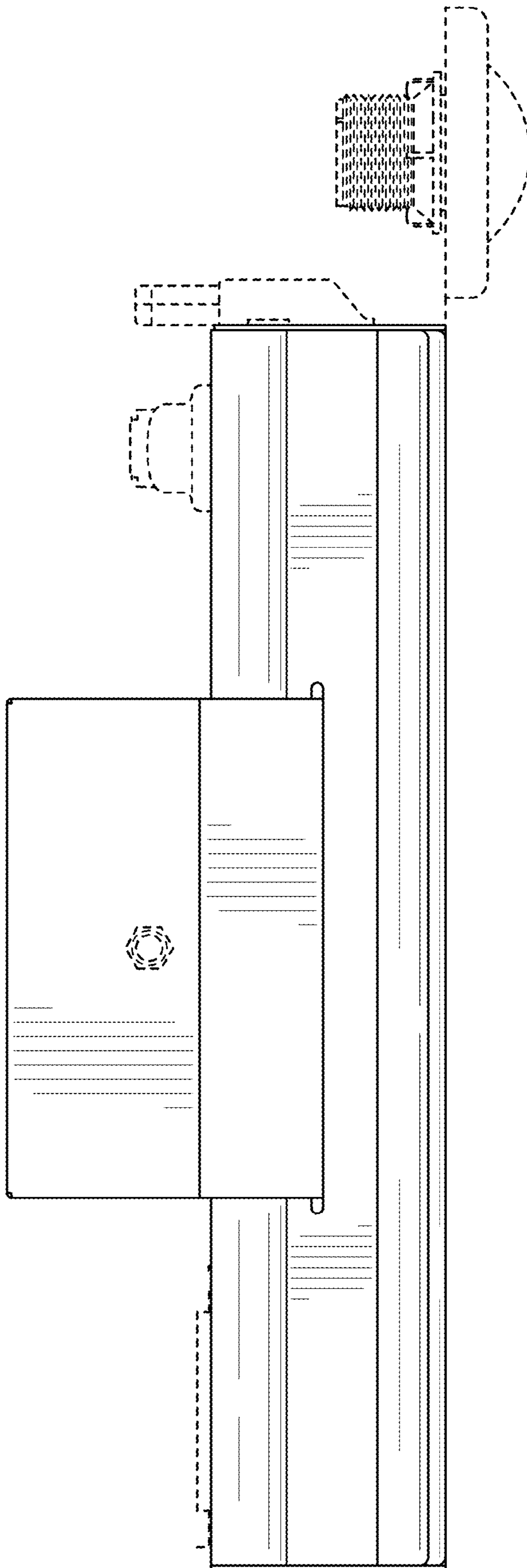


FIG. 3

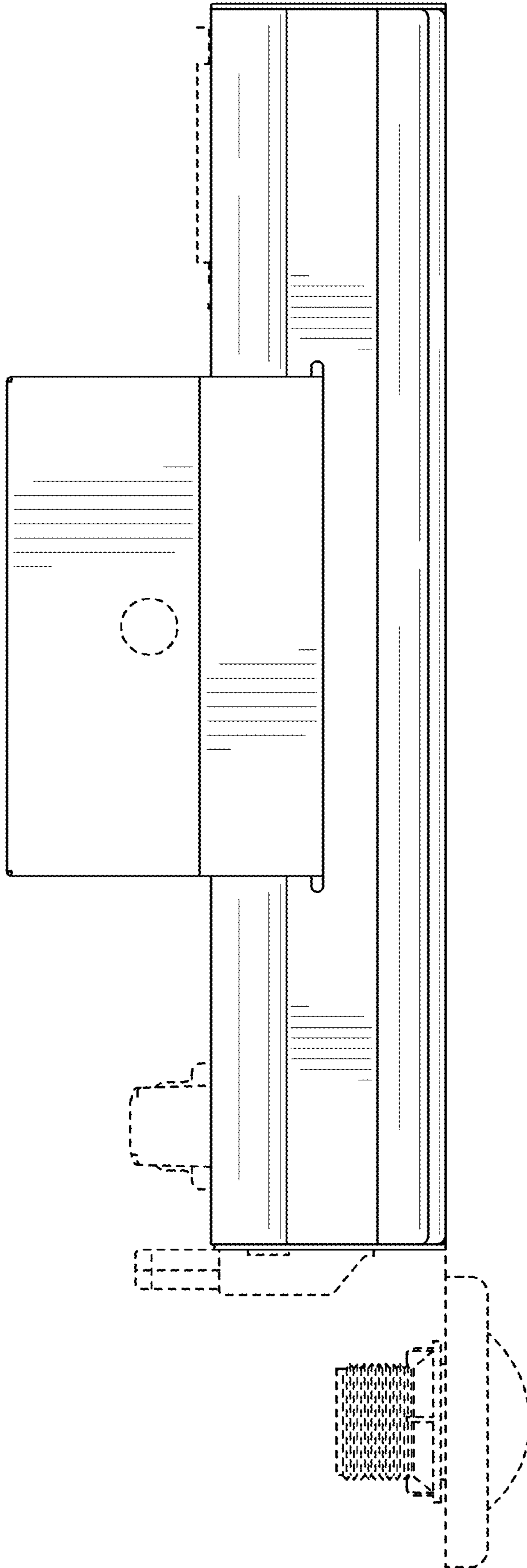


FIG. 4

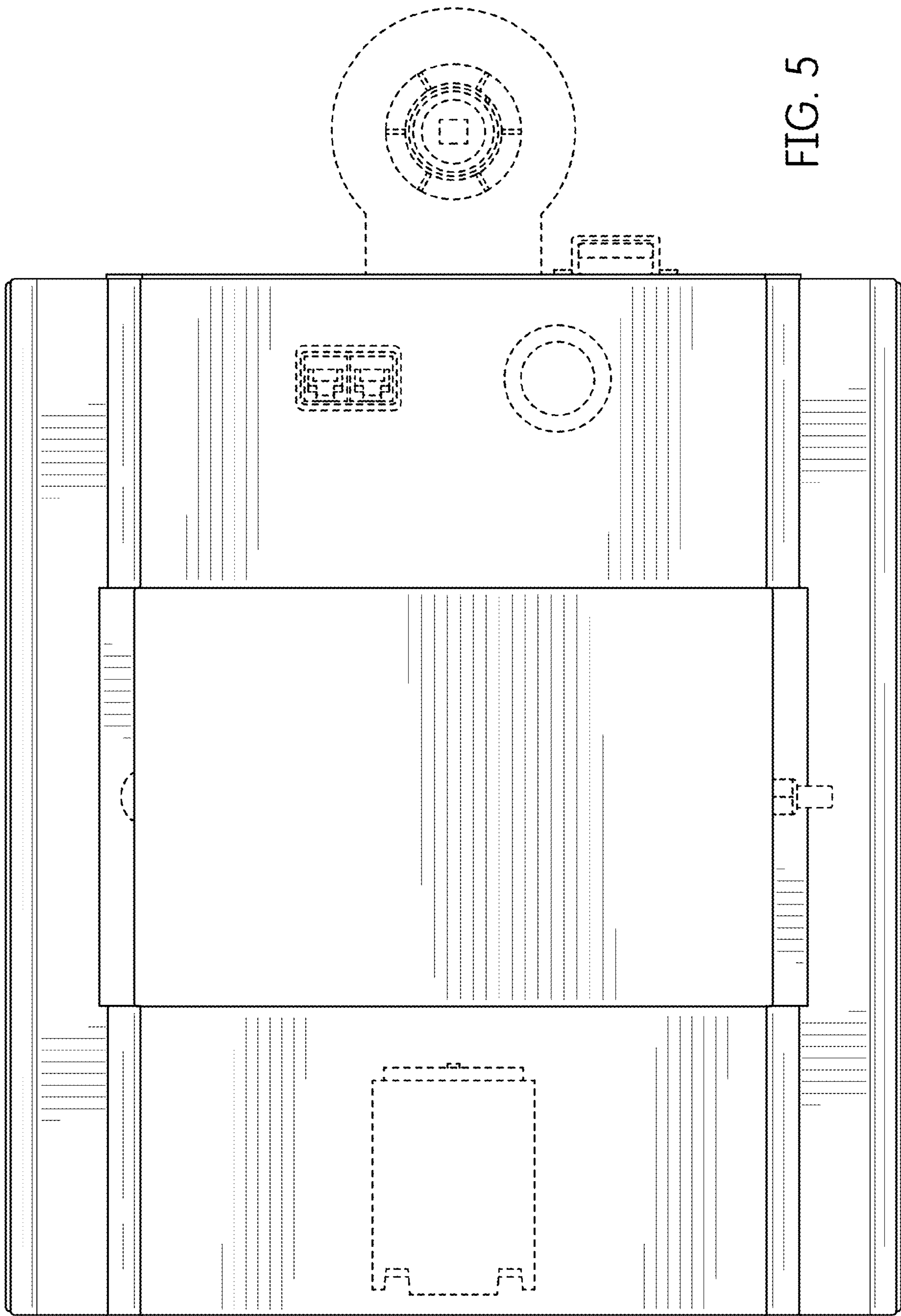


FIG. 5

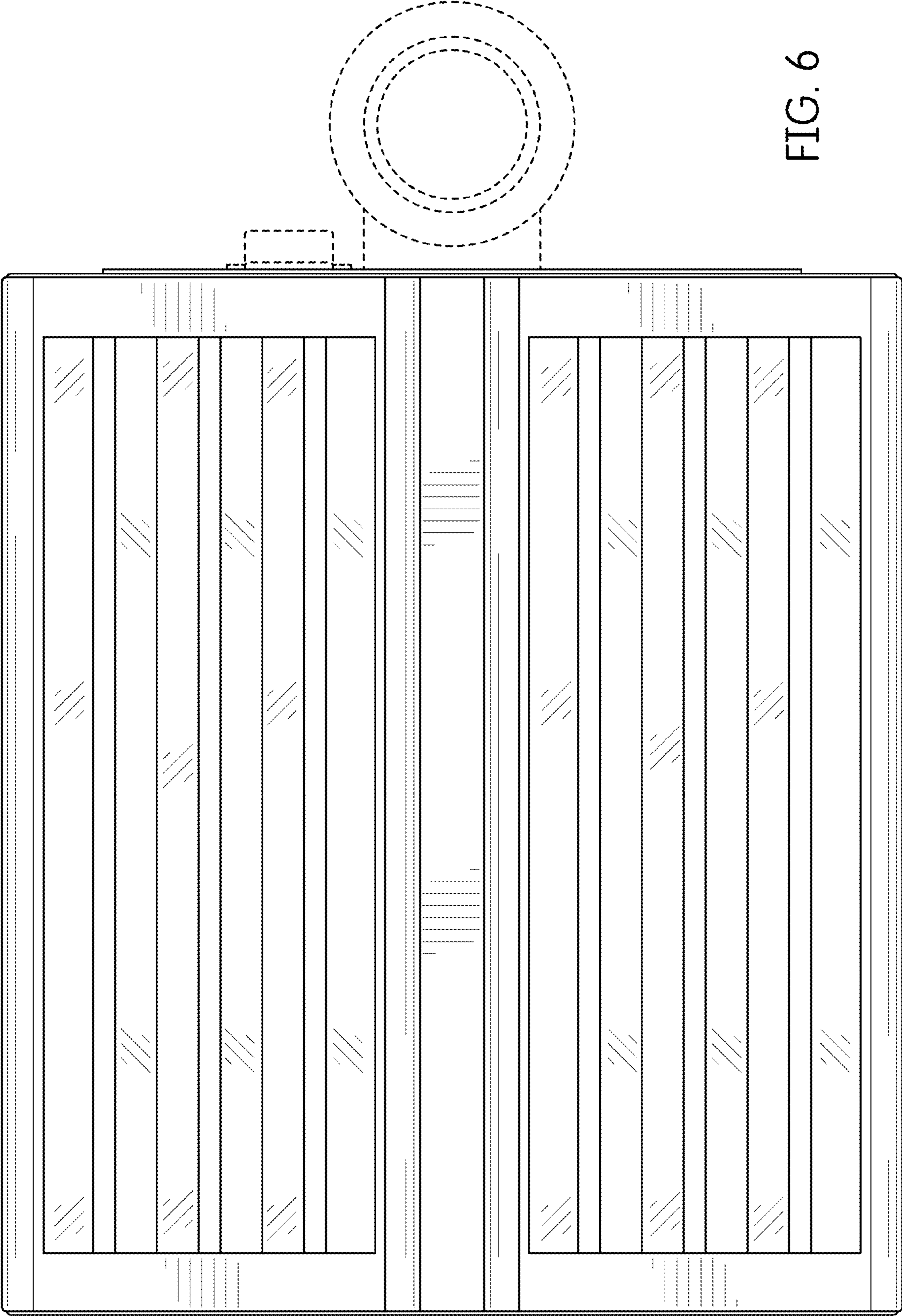


FIG. 6

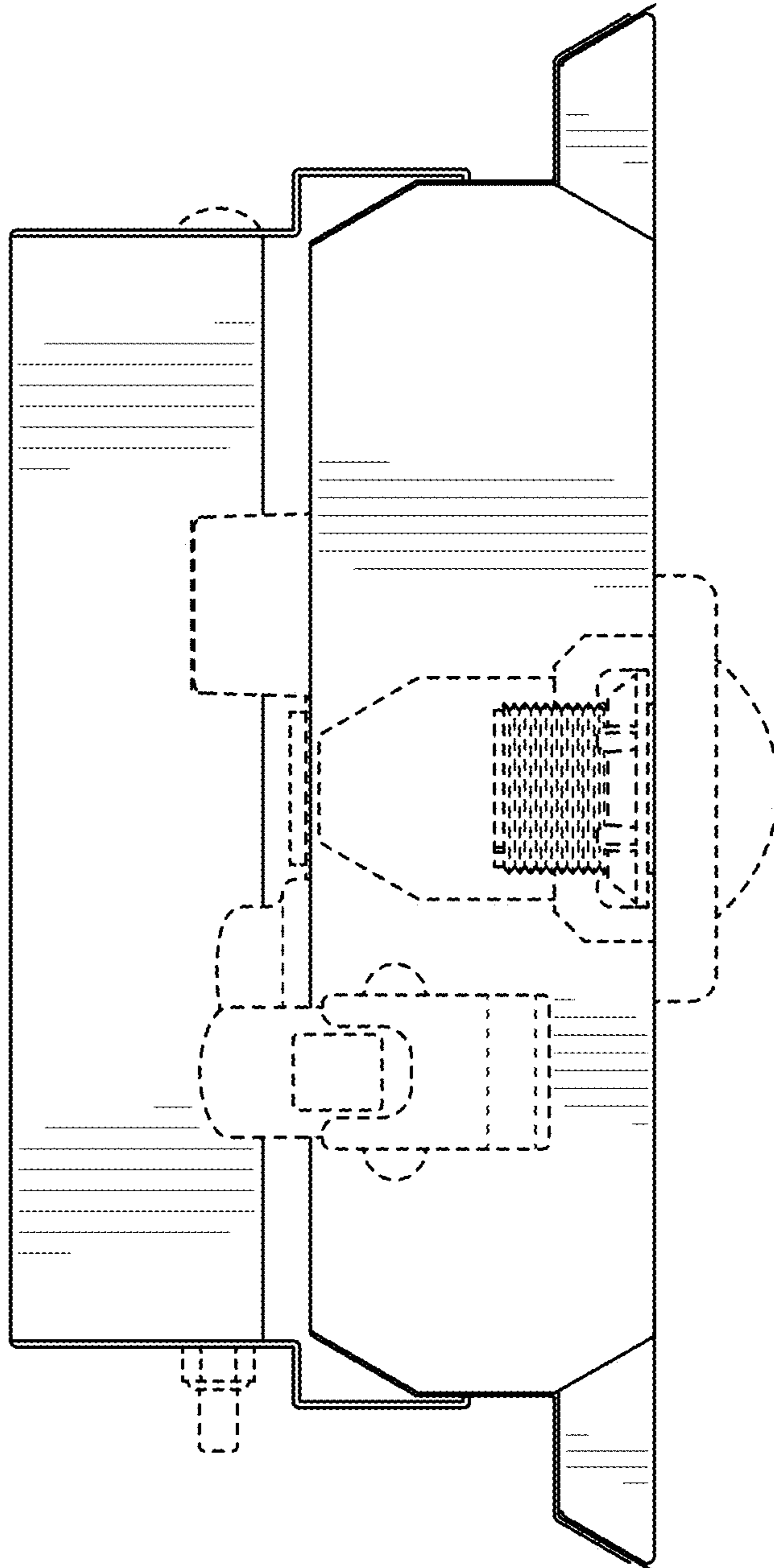


FIG. 7

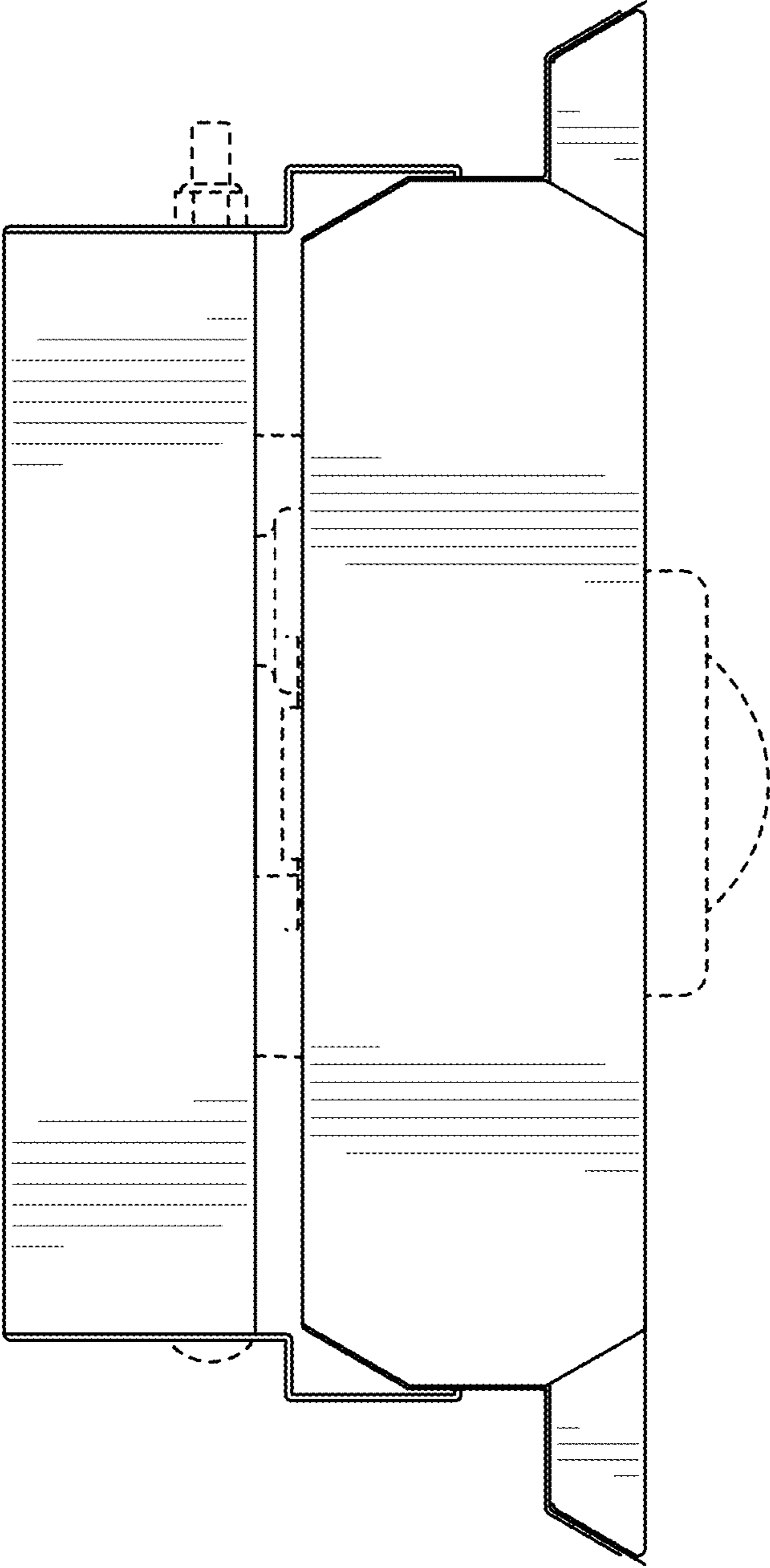


FIG. 8