



US00D932088S

(12) **United States Design Patent**  
**Zhang et al.**

(10) **Patent No.:** **US D932,088 S**

(45) **Date of Patent:** **\*\* Sep. 28, 2021**

(54) **SMART TABLE LAMP**

(71) Applicant: **Shenzhen Li Zhong Xiang Technology Co., Ltd.**, Guangdong (CN)

(72) Inventors: **Shangchao Zhang**, Guangdong (CN); **Hui Dai**, Guangdong (CN); **Chengqiao Liu**, Guangdong (CN); **Yi Ma**, Guangdong (CN)

(73) Assignee: **Shenzhen Li Zhong Xiang Technology Co., Ltd.**, Shenzhen (CN)

(\*\*) Term: **15 Years**

(21) Appl. No.: **29/691,064**

(22) Filed: **May 14, 2019**

(30) **Foreign Application Priority Data**

Dec. 11, 2018 (CN) ..... 201830716608.3

(51) **LOC (13) Cl.** ..... **26-03**

(52) **U.S. Cl.**  
USPC ..... **D26/110**

(58) **Field of Classification Search**  
USPC ..... D26/93, 104, 110, 112  
CPC ..... F21V 3/00; F21V 5/007; F21W 2121/006;  
F21S 6/00; F21S 6/002; F21S 10/00;  
F21S 610/06  
See application file for complete search history.

(56) **References Cited**

**U.S. PATENT DOCUMENTS**

D392,407 S \* 3/1998 Johnson ..... D26/104  
D495,819 S \* 9/2004 Krieger ..... D26/104

D684,078 S \* 6/2013 Clifford ..... D26/110  
D796,725 S \* 9/2017 Recker ..... D26/104  
D800,373 S \* 10/2017 Soni ..... D26/118  
D885,640 S \* 5/2020 Civelekoglu ..... D26/104  
D887,623 S \* 6/2020 Ji ..... D26/110  
D903,931 S \* 12/2020 Guan ..... D26/110  
2018/0087767 A1 \* 3/2018 Trainer ..... F21V 3/00

\* cited by examiner

*Primary Examiner* — Brian N. Vinson

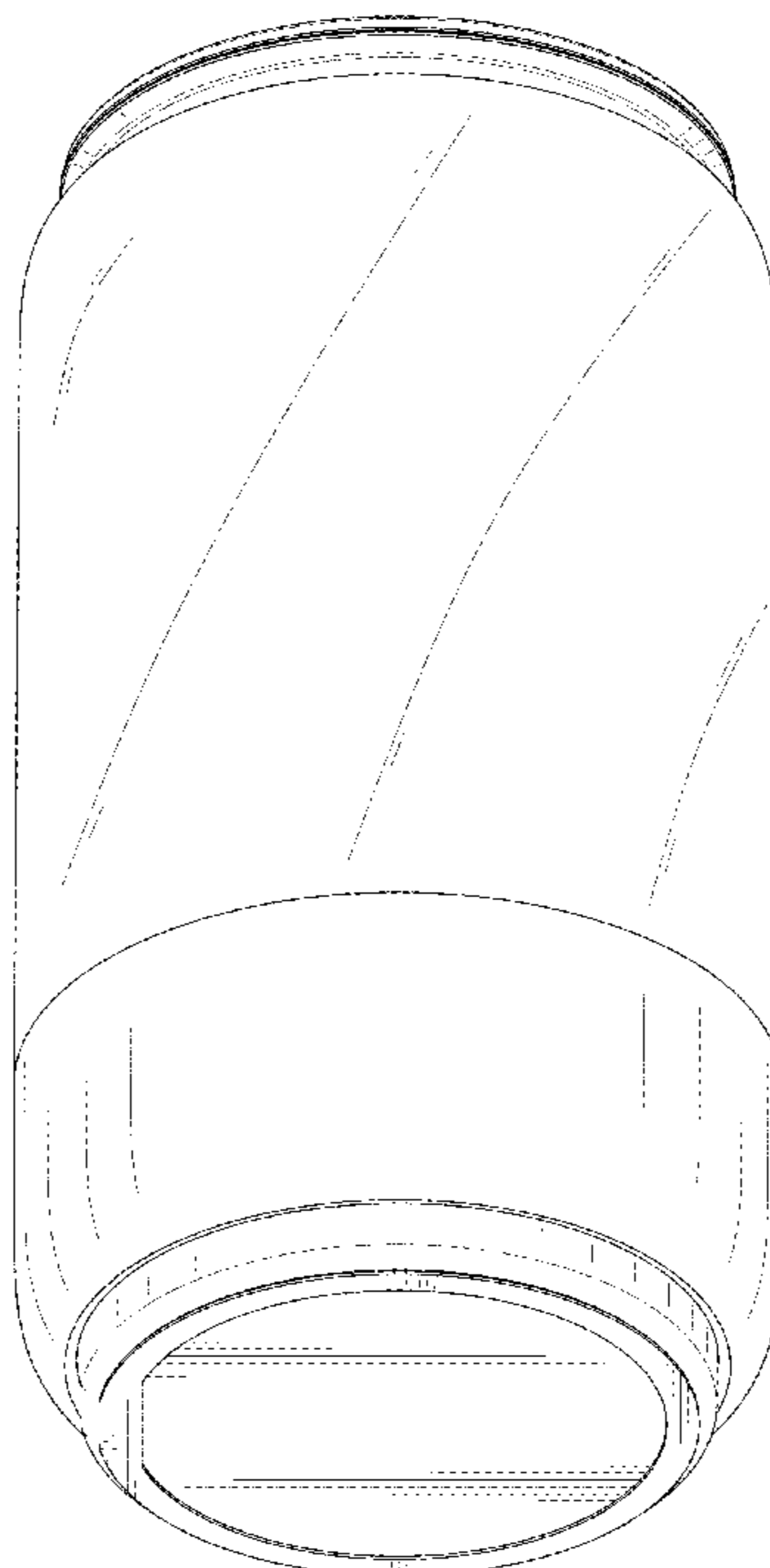
(57) **CLAIM**

The ornamental design for a smart table lamp, as shown and described.

**DESCRIPTION**

FIG. 1 is a top and left side perspective view of a smart table lamp showing our new design;  
FIG. 2 is a bottom and left side perspective view thereof;  
FIG. 3 is a front elevational view thereof;  
FIG. 4 is a rear elevational view thereof;  
FIG. 5 is a left side view thereof;  
FIG. 6 is a right side view thereof;  
FIG. 7 is a top plan view thereof;  
FIG. 8 is a bottom plan view thereof;  
FIG. 9 is an enlarged view of portion 9 in FIG. 1; and,  
FIG. 10 is an enlarged view of portion 10 in FIG. 3.  
The broken lines in the drawings illustrate portions of the smart table lamp which form no part of the claimed design.

**1 Claim, 10 Drawing Sheets**



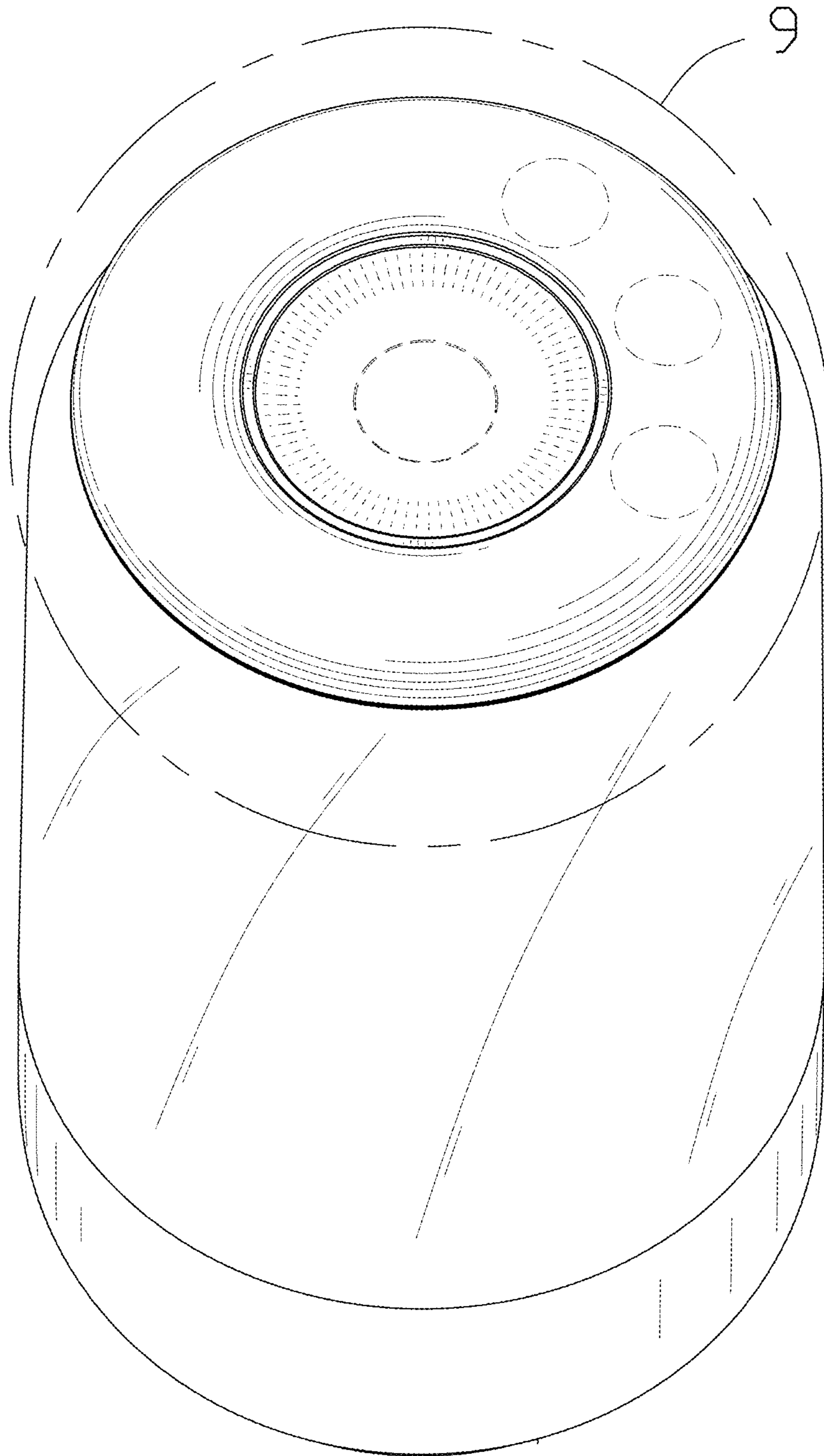


FIG. 1

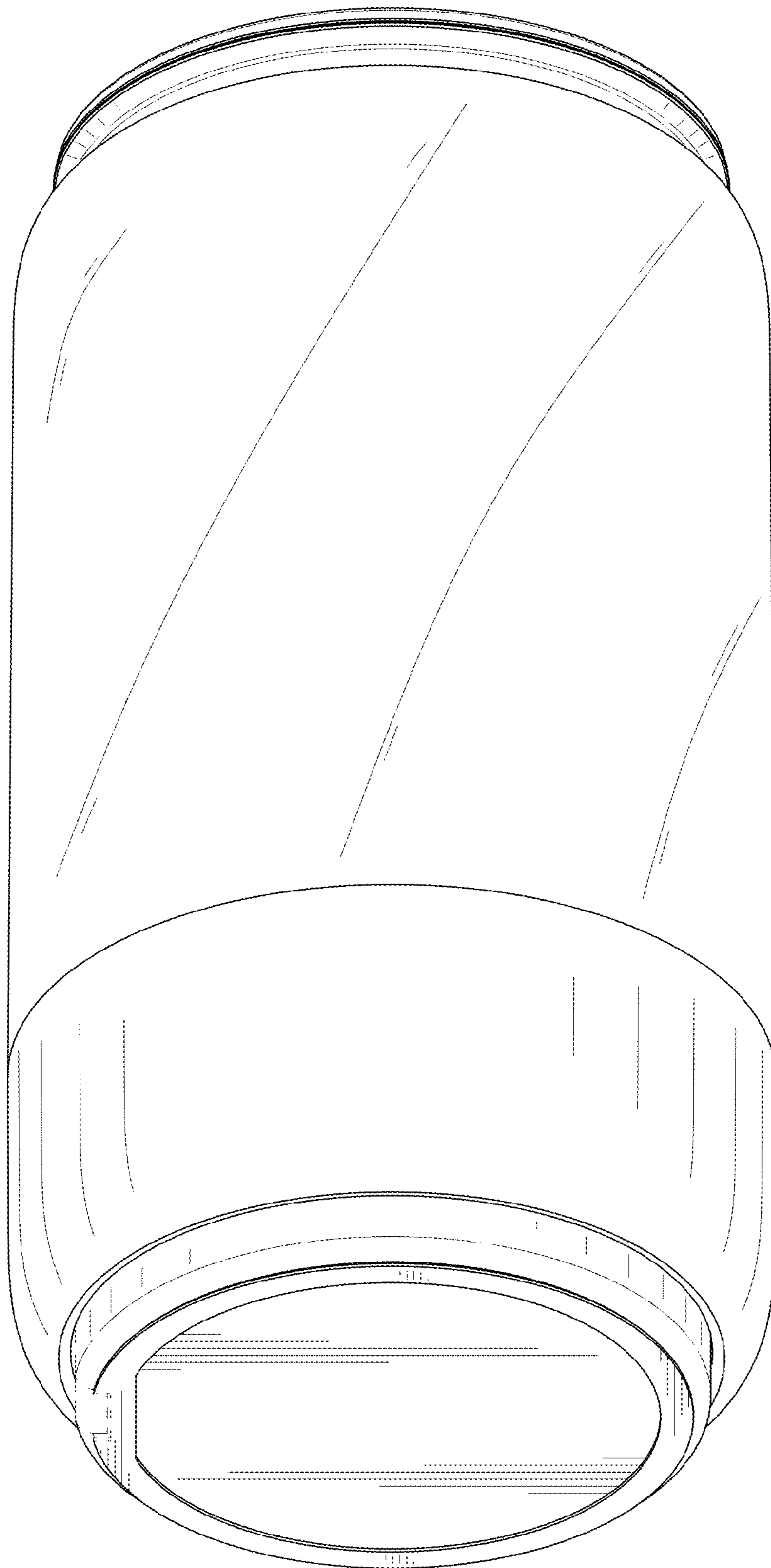


FIG. 2

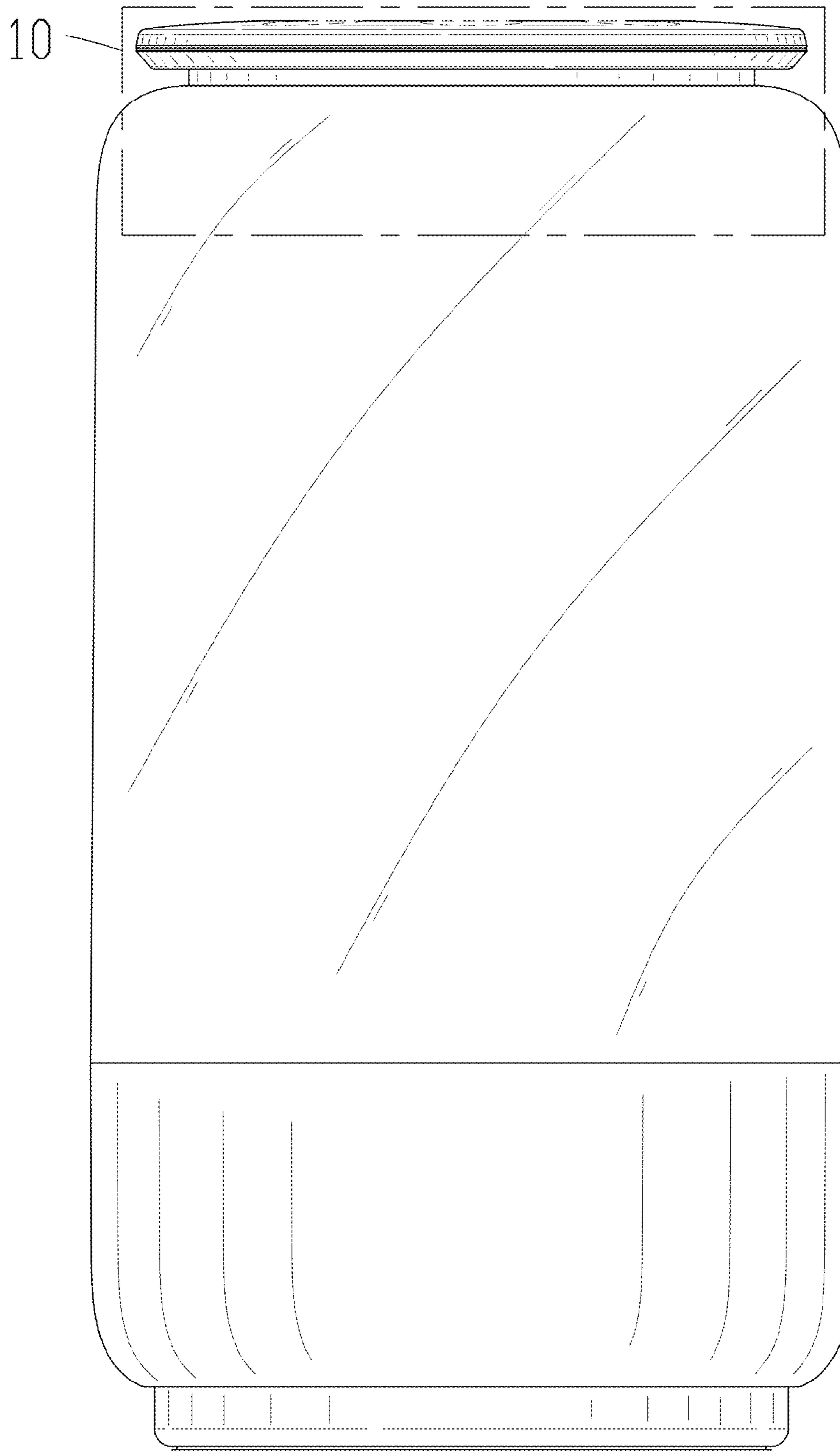


FIG. 3

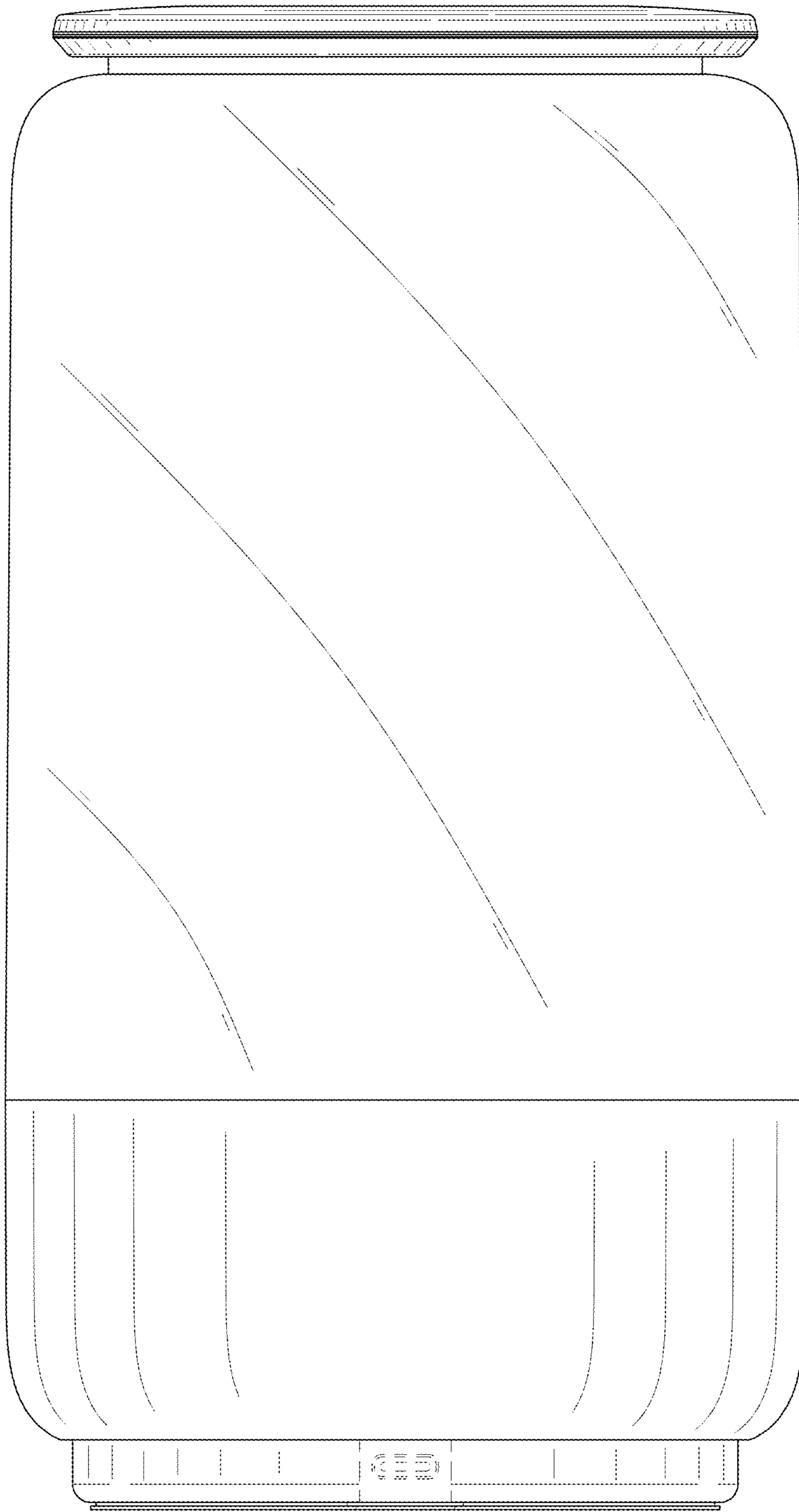


FIG. 4

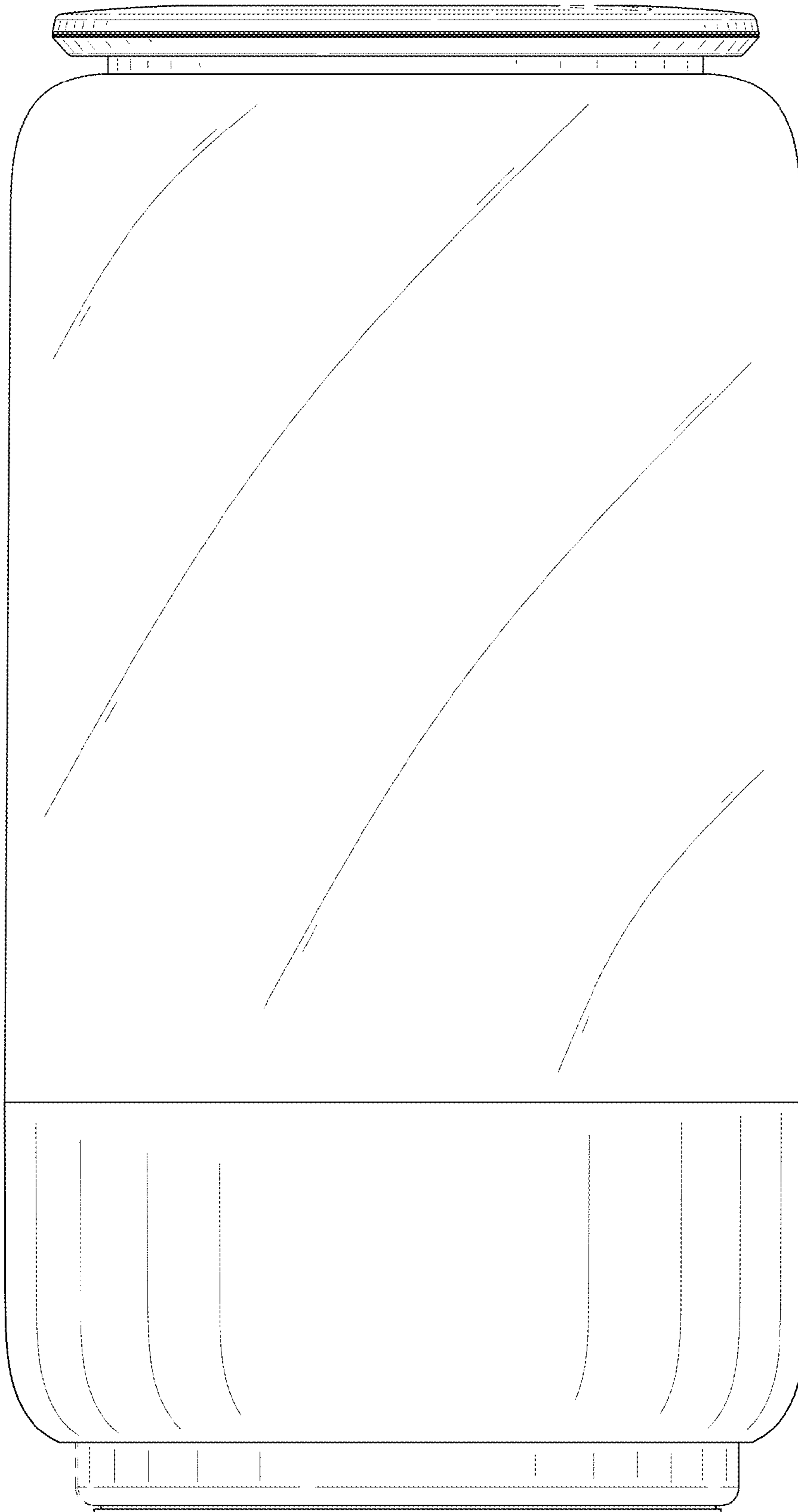


FIG. 5

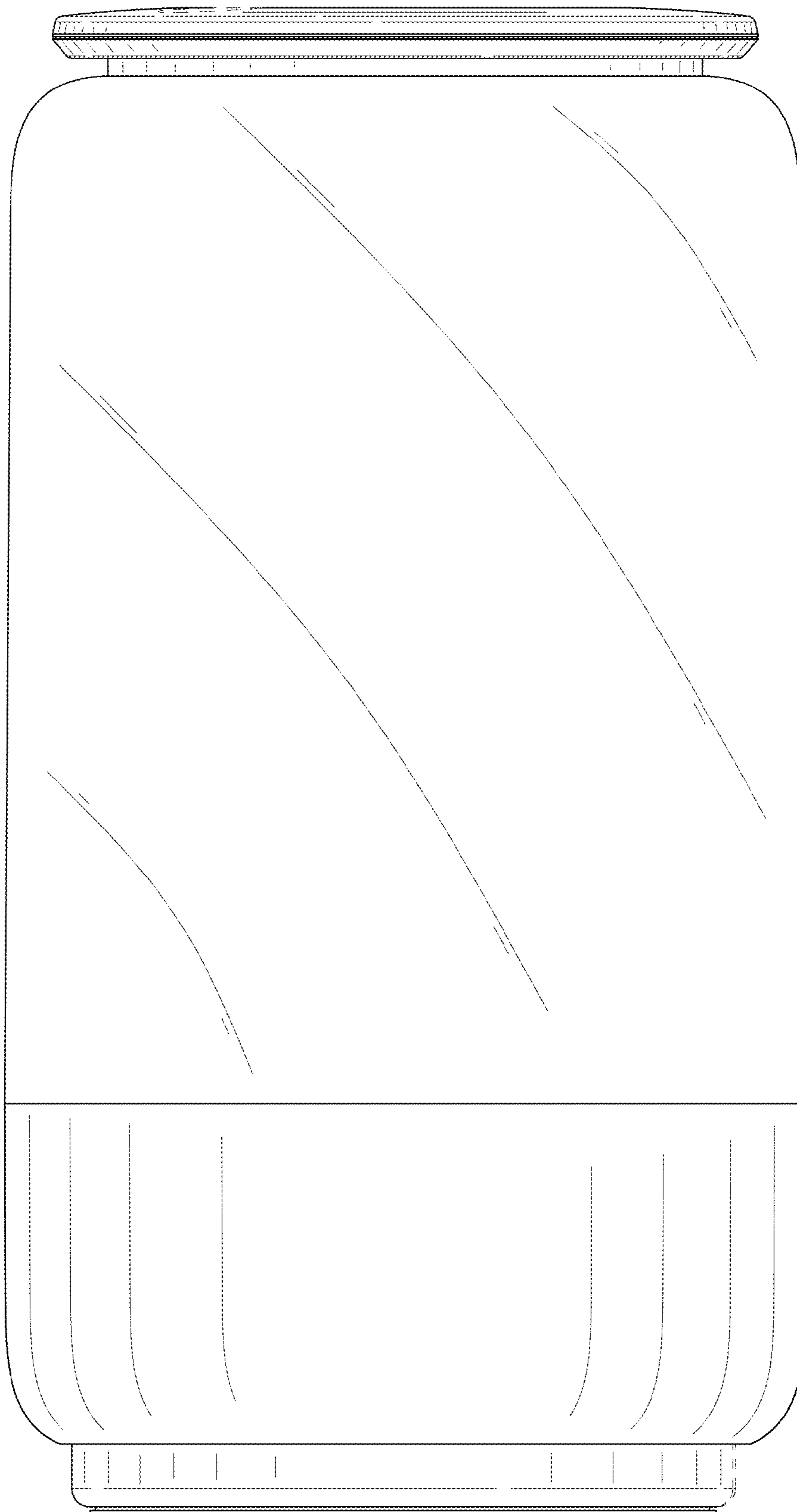


FIG. 6

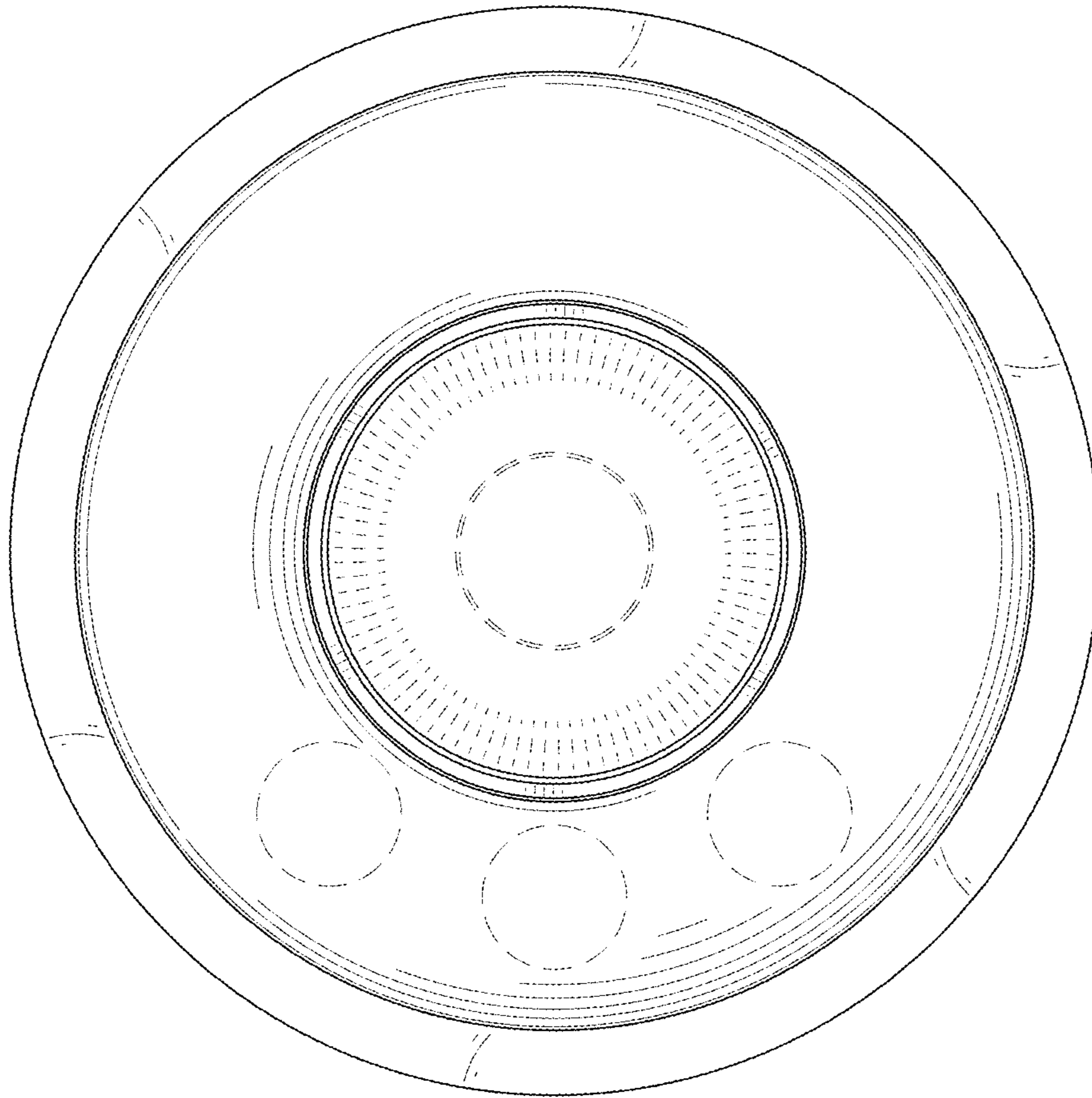


FIG. 7



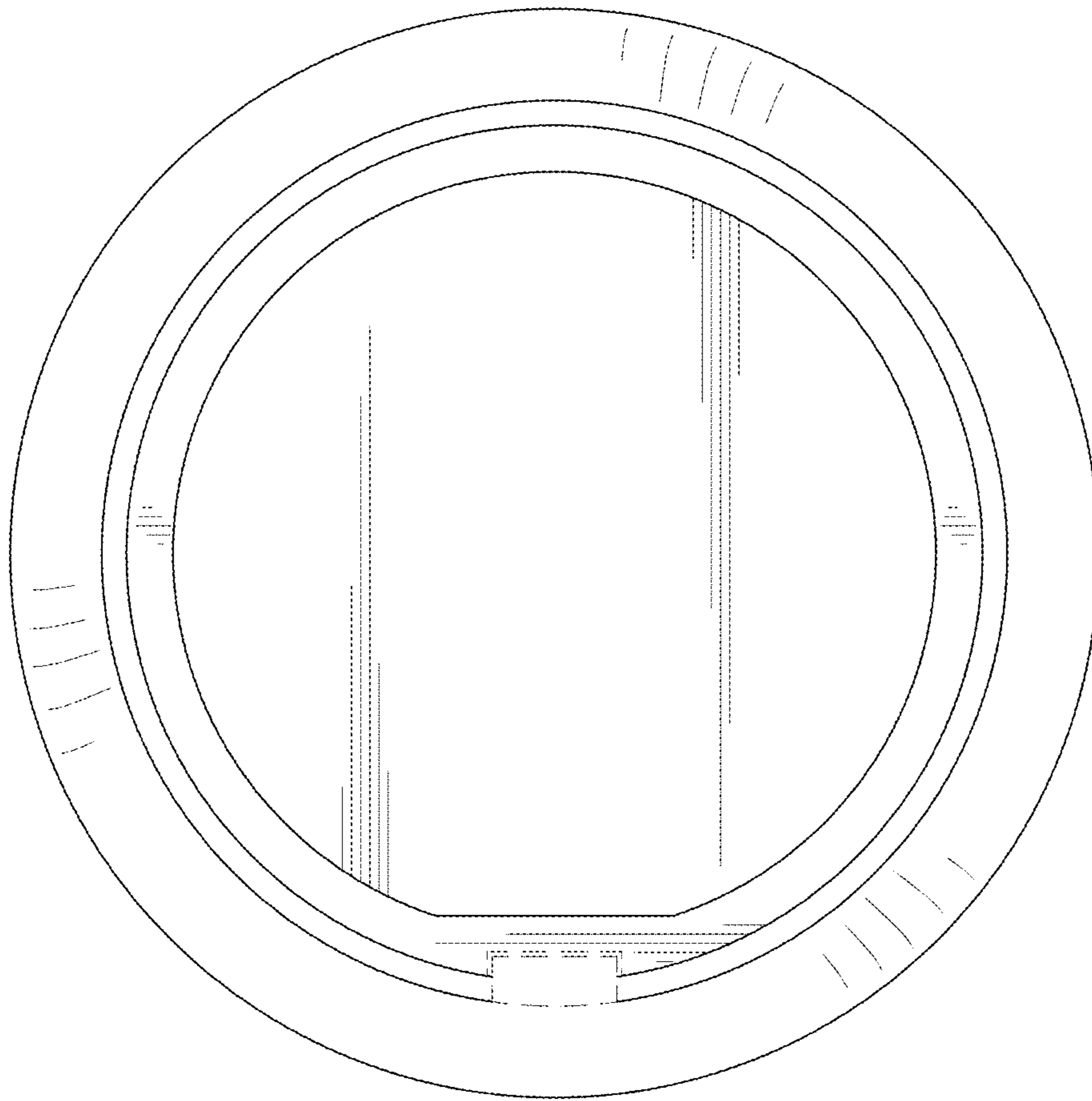


FIG. 8

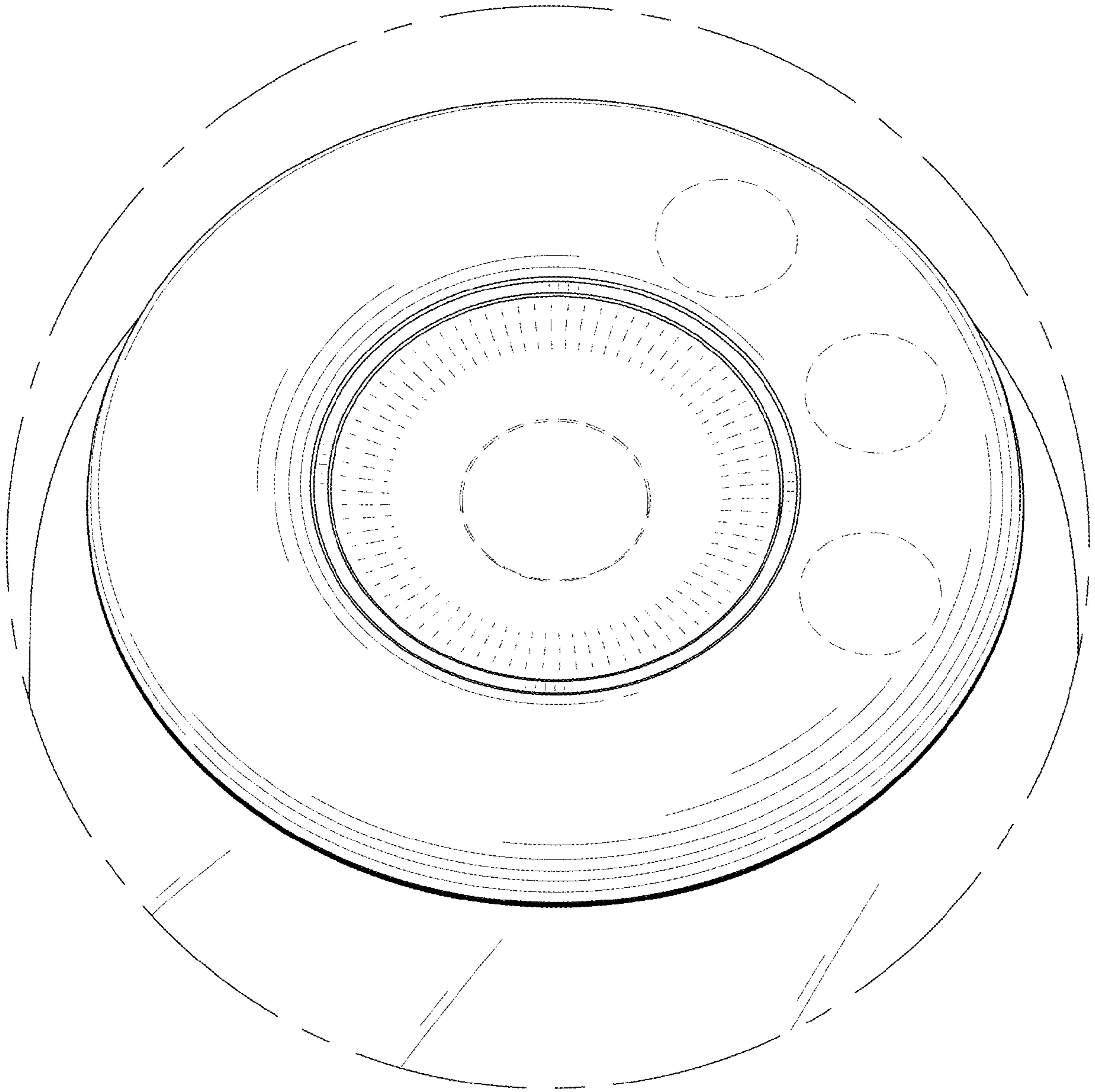


FIG. 9

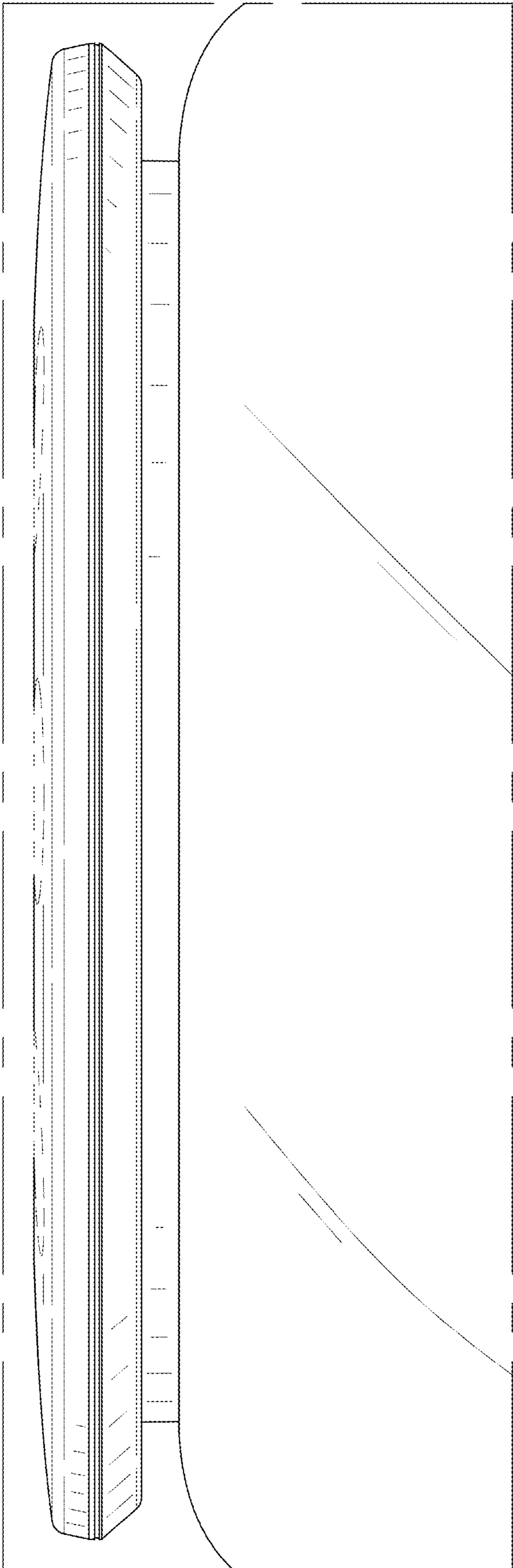


FIG. 10