



US00D932087S

(12) **United States Design Patent**
Ouyang

(10) **Patent No.:** **US D932,087 S**

(45) **Date of Patent:** **** Sep. 28, 2021**

(54) **STAR LIGHT**

(71) Applicant: **Zuhui Ouyang**, Hunan (CN)

(72) Inventor: **Zuhui Ouyang**, Hunan (CN)

(**) Term: **15 Years**

(21) Appl. No.: **29/766,779**

(22) Filed: **Jan. 19, 2021**

(51) **LOC (13) Cl.** **26-03**

(52) **U.S. Cl.**
USPC **D26/106**

(58) **Field of Classification Search**
USPC D26/93, 104, 106, 110, 112
CPC F21Y 2101/02; F21S 10/00; F21V 21/30;
F21V 14/02; F21V 21/00
See application file for complete search history.

(56) **References Cited**

U.S. PATENT DOCUMENTS

D468,050 S	*	12/2002	Poon	D26/104
D730,567 S	*	5/2015	Lee	D26/104
D731,578 S		6/2015	Johnson		
D840,582 S	*	2/2019	Liu	D26/104

D861,965 S	10/2019	Lin	
D861,966 S	10/2019	Wang	
D875,994 S	2/2020	Yu	
D884,955 S	5/2020	Yi et al.	
D889,730 S	7/2020	Lin	
D901,747 S	11/2020	Lin	
D901,750 S	11/2020	Fan	
D914,957 S	*	3/2021	Zeng D26/110

* cited by examiner

Primary Examiner — Brian N. Vinson

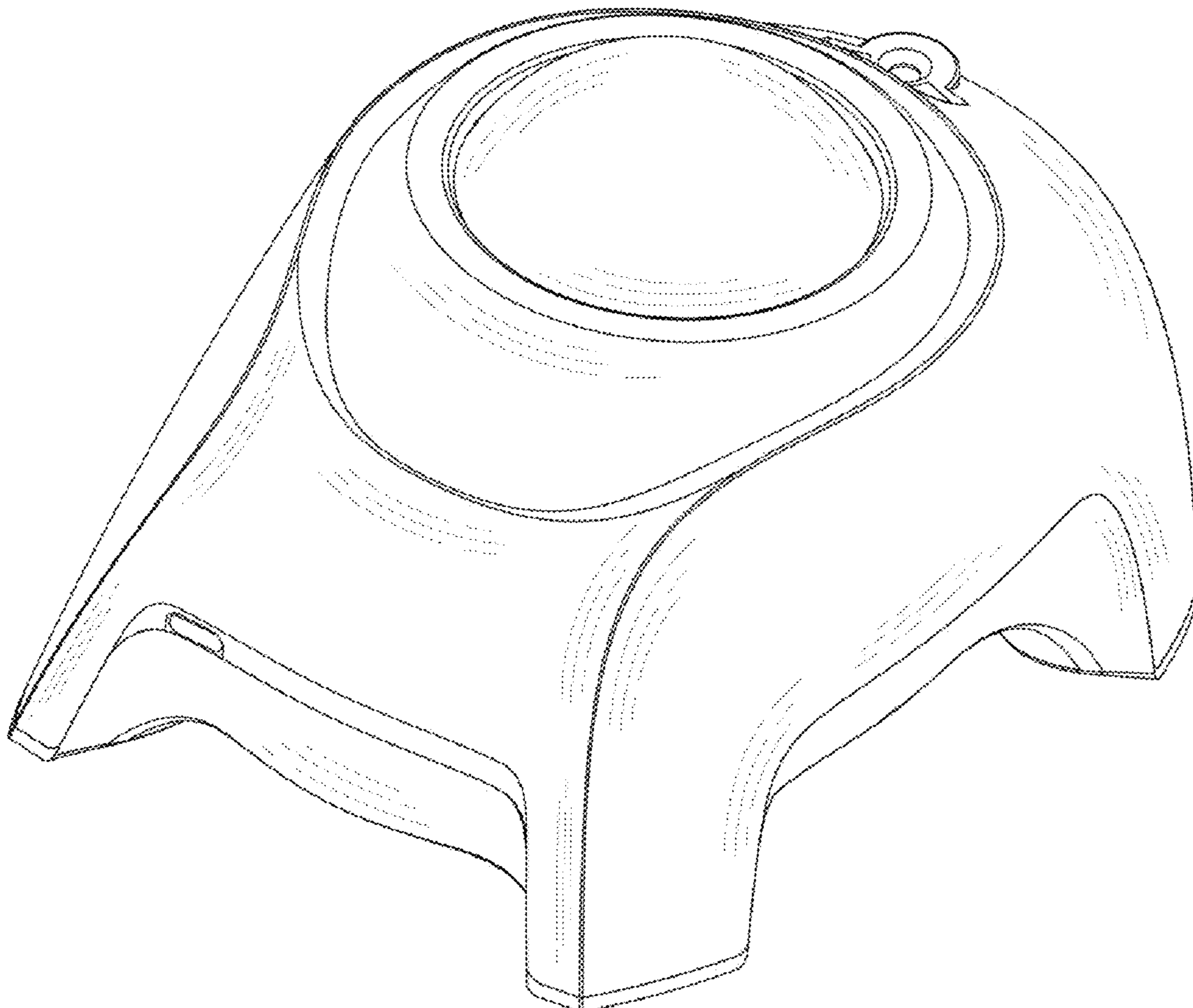
(57) **CLAIM**

The ornamental design for a star light, as shown and described.

DESCRIPTION

FIG. 1 is a top perspective view of a star light showing my new design;
FIG. 2 is a front elevation view thereof;
FIG. 3 is a rear elevation view thereof;
FIG. 4 is a left side elevation view thereof;
FIG. 5 is a right side elevation view thereof;
FIG. 6 is a top plan view thereof;
FIG. 7 is a bottom plan view thereof; and,
FIG. 8 is a bottom perspective thereof, showing the tablet case in a folded state of use.

1 Claim, 8 Drawing Sheets



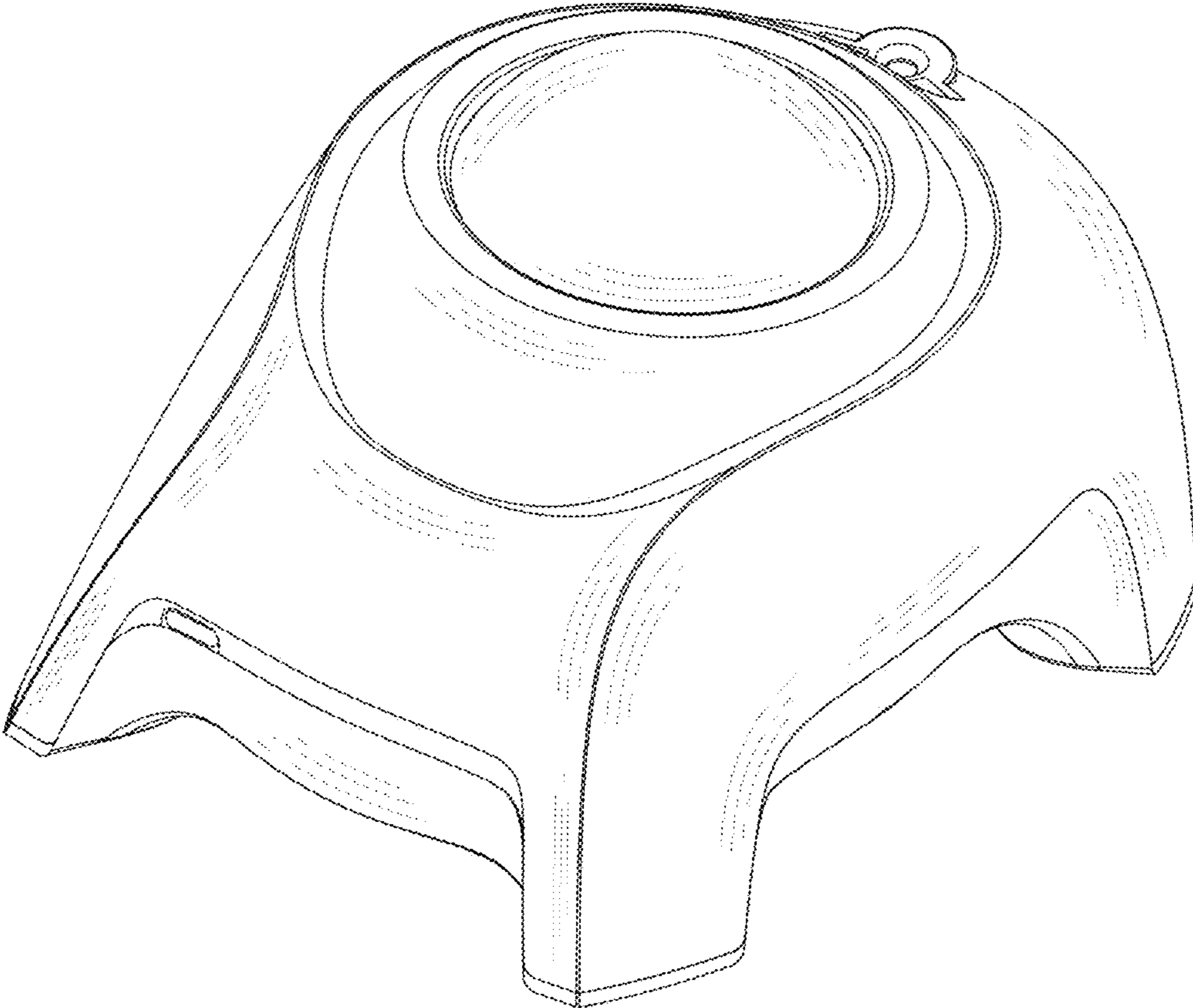


FIG. 1

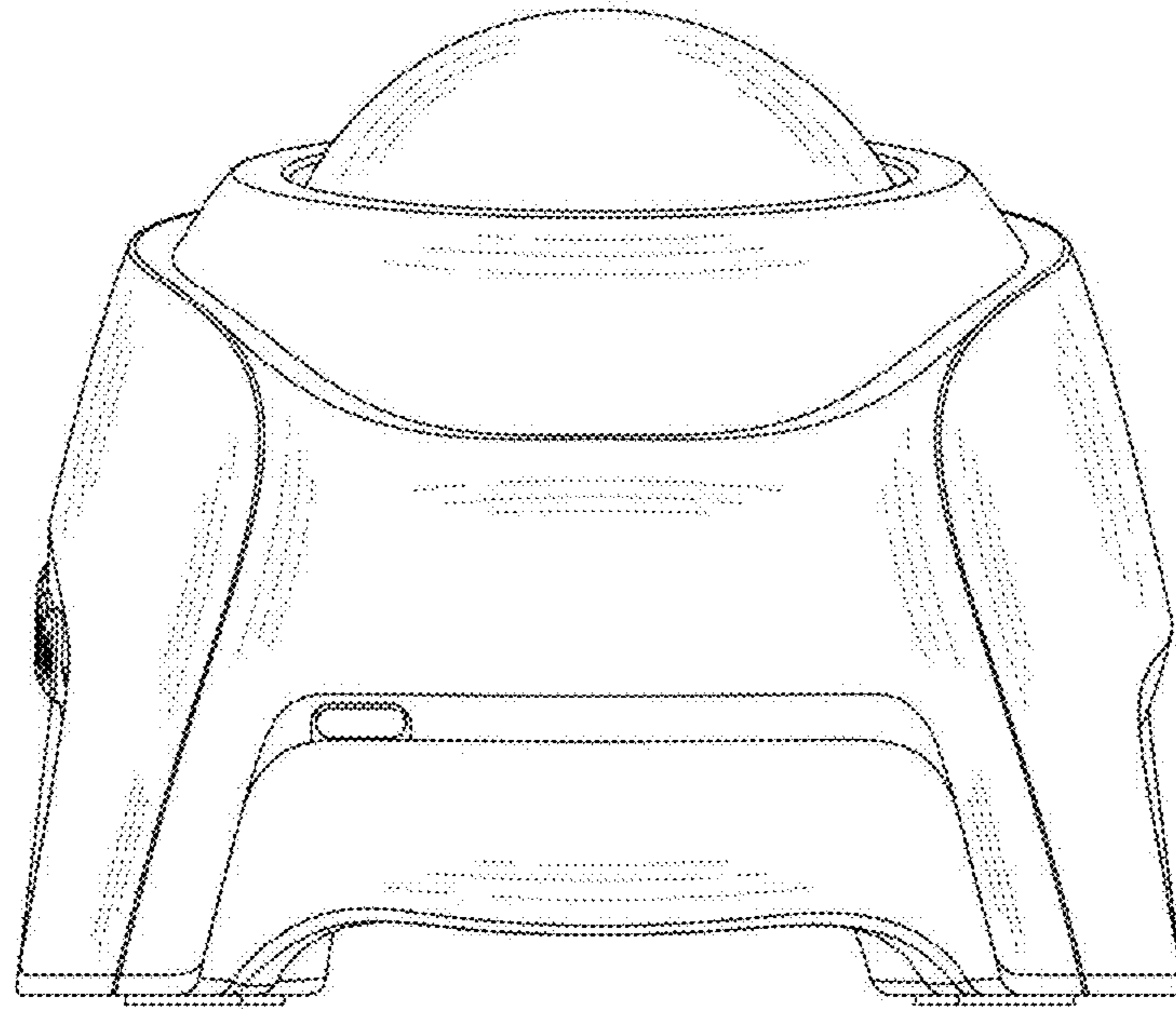


FIG. 2

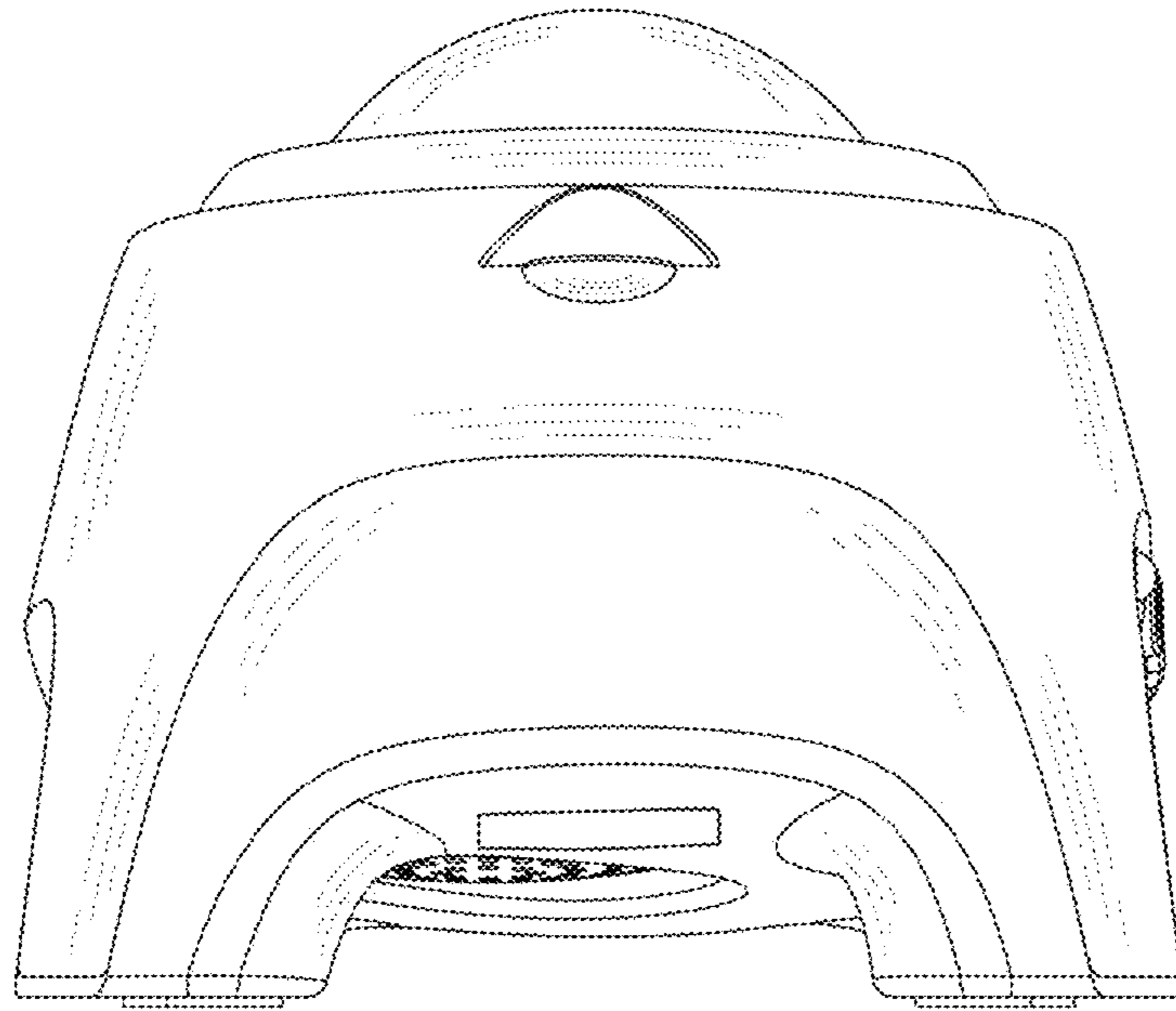


FIG. 3

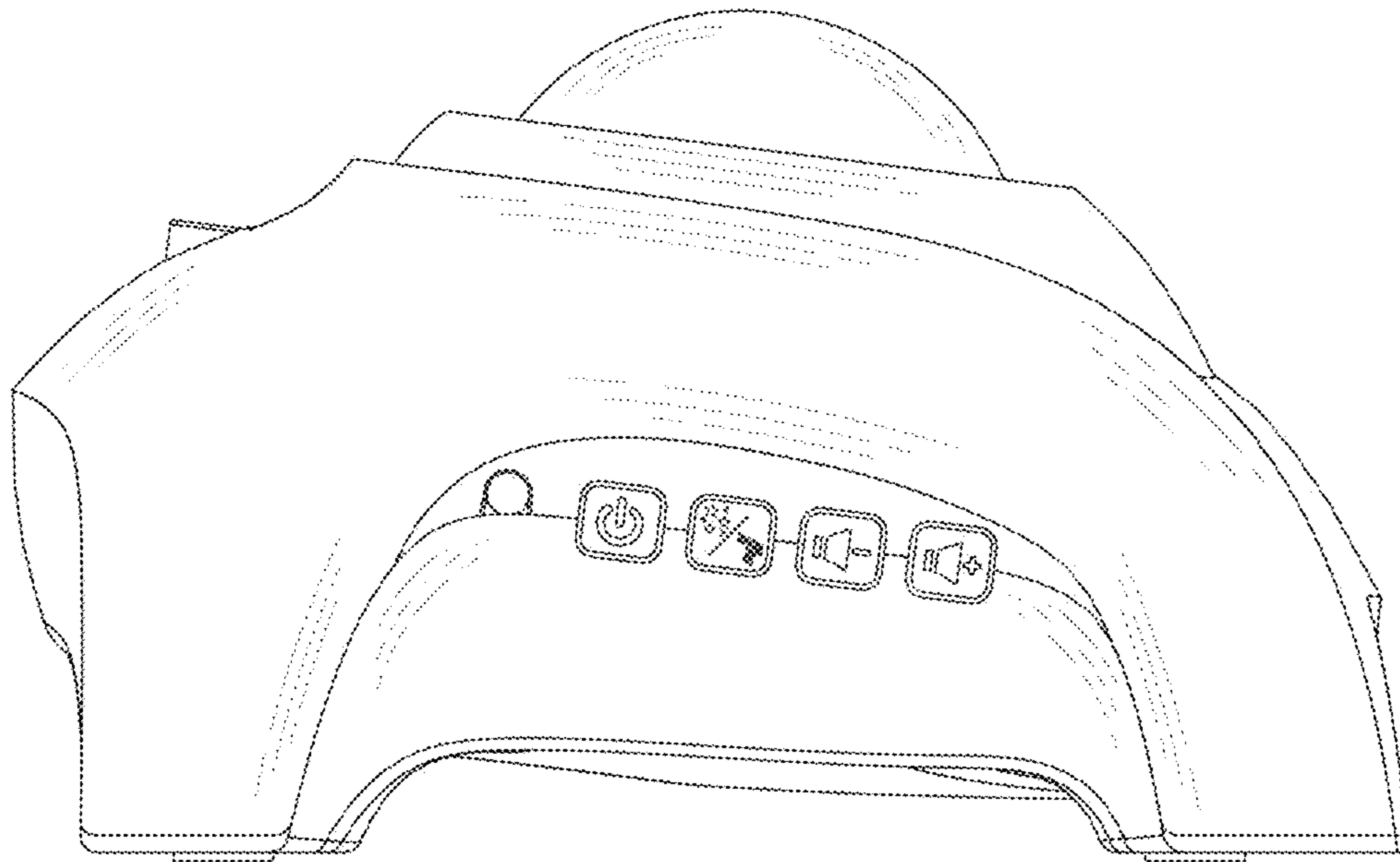


FIG. 4

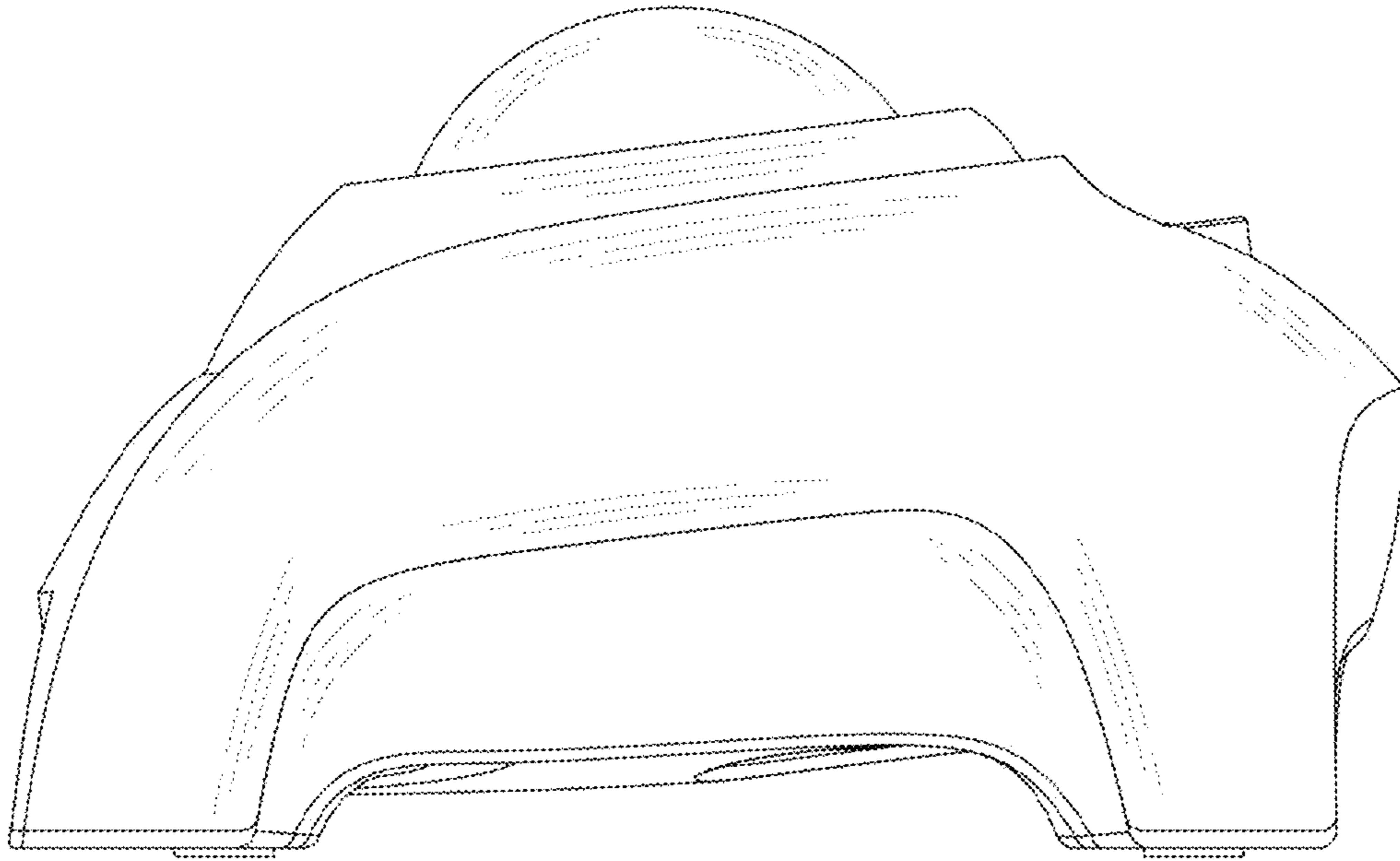


FIG. 5

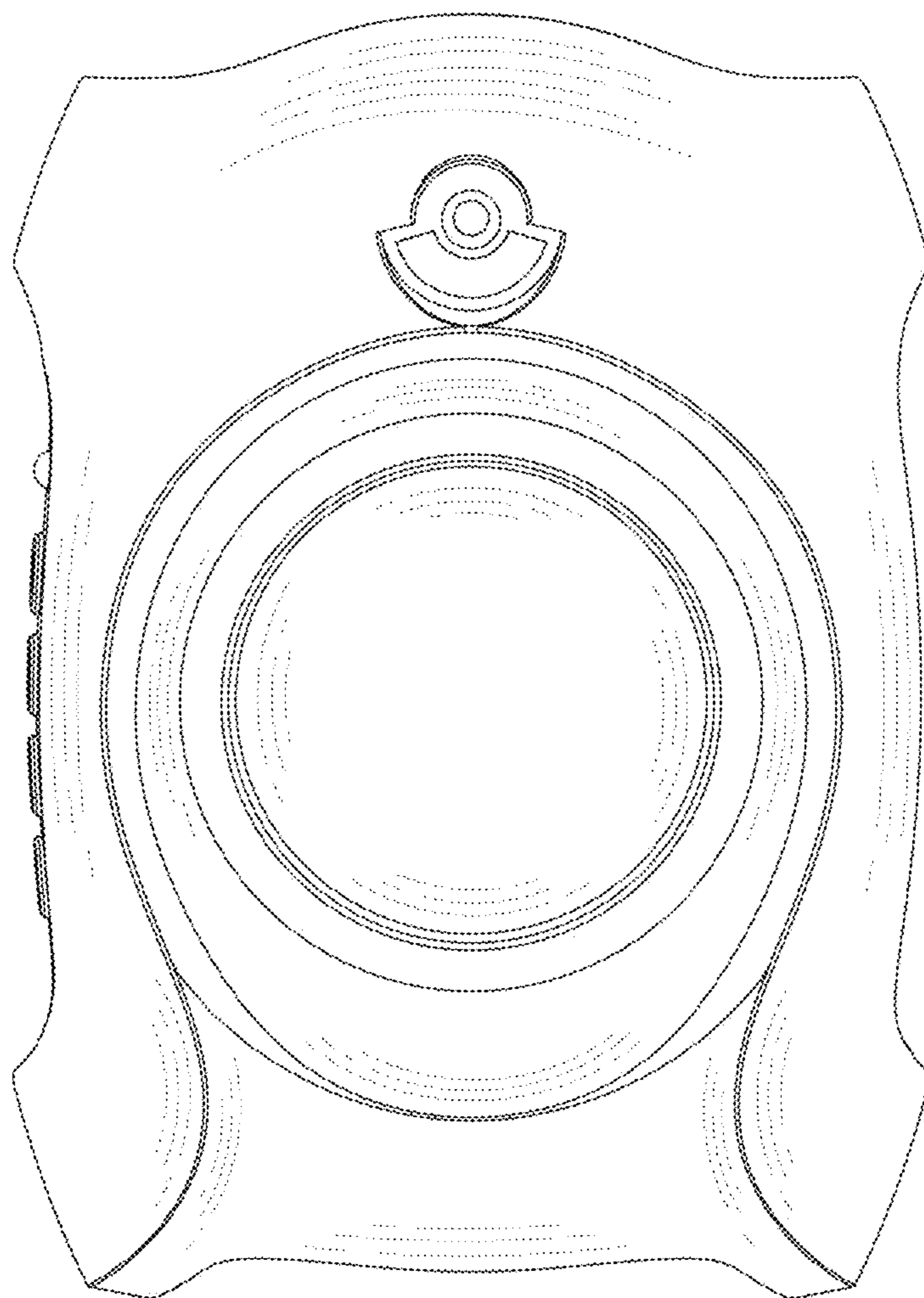


FIG. 6

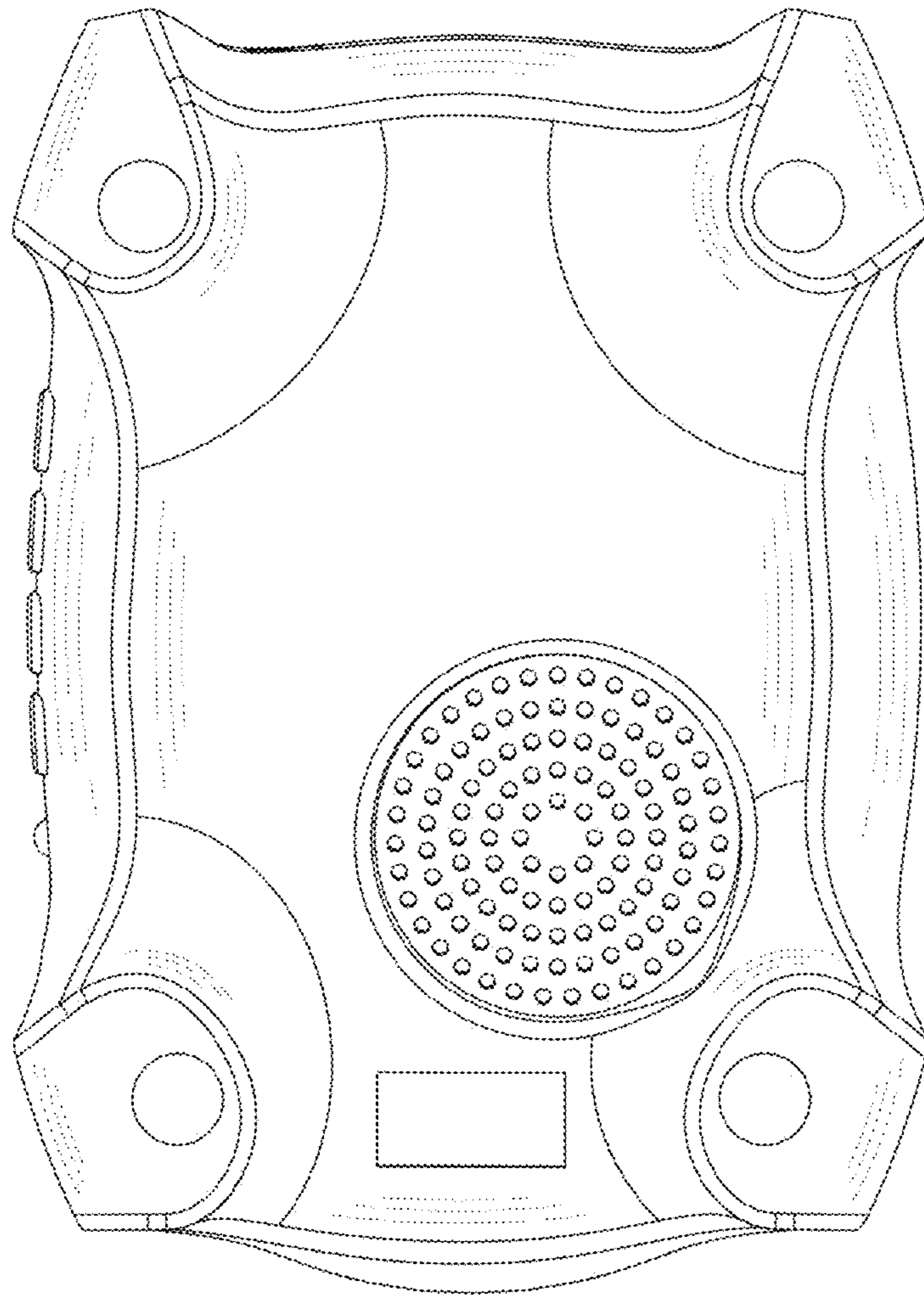


FIG. 7

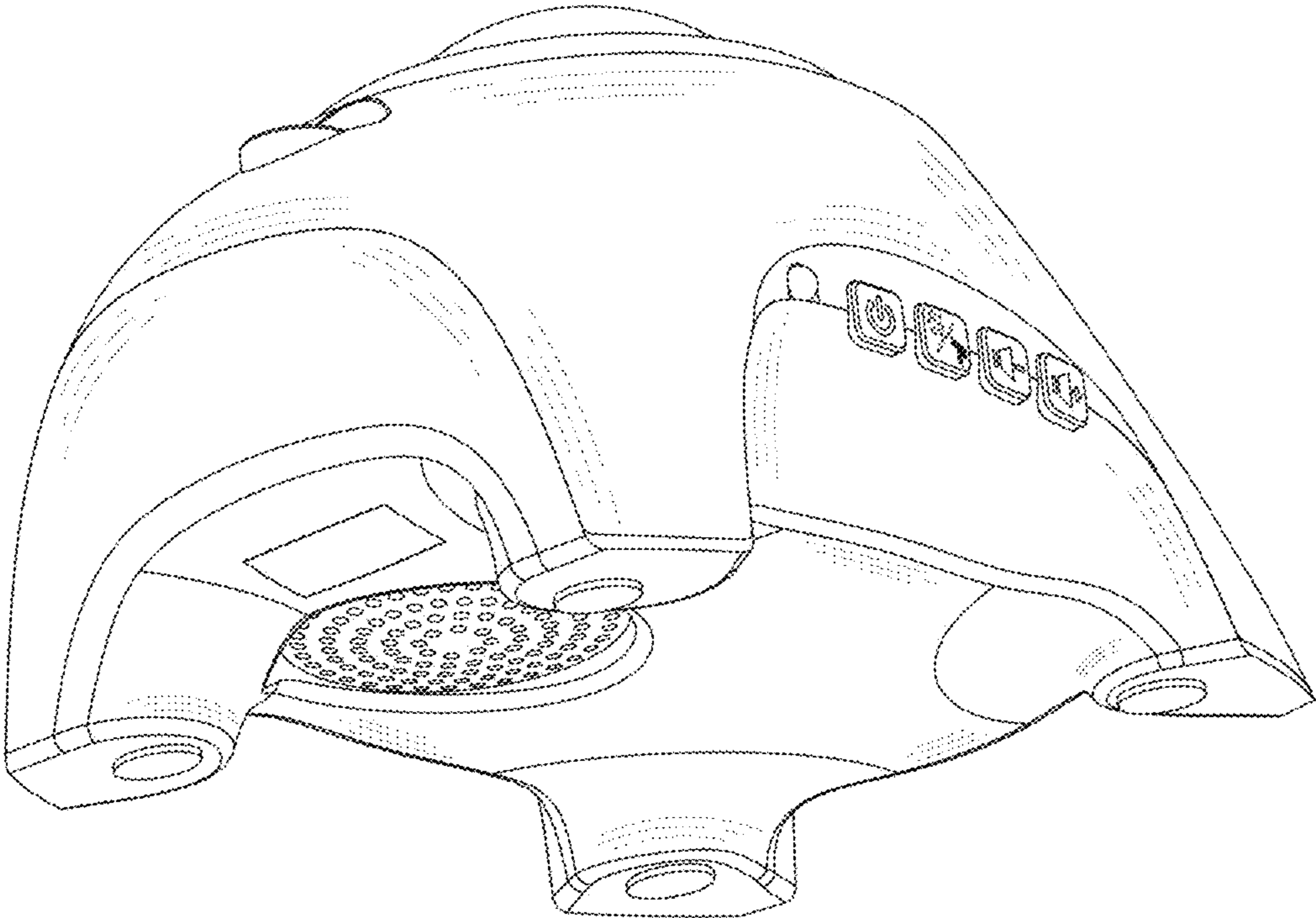


FIG. 8