

US00D932085S

(12) **United States Design Patent**
Orozco

(10) **Patent No.:** **US D932,085 S**

(45) **Date of Patent:** **** Sep. 28, 2021**

(54) **LIGHTING FIXTURE**

(71) Applicant: **Hinkley Lighting, Inc.**, Avon Lake, OH (US)

(72) Inventor: **Sergio Orozco**, New York, NY (US)

(73) Assignee: **HINKLEY LIGHTING, INC.**, Avon Lake, OH (US)

(**) Term: **15 Years**

(21) Appl. No.: **29/726,537**

(22) Filed: **Mar. 4, 2020**

Related U.S. Application Data

(60) Division of application No. 29/678,629, filed on Jan. 30, 2019, which is a continuation of application No. 29/606,526, filed on Jun. 5, 2017, now abandoned.

(51) **LOC (13) Cl.** **26-03**

(52) **U.S. Cl.**
USPC **D26/88**

(58) **Field of Classification Search**
USPC ... D26/72, 84, 85, 86, 88, 90, 118, 128, 154
CPC F21S 8/03; F21S 8/04; F21S 8/043; F21S 8/046; F21S 8/06; F21S 8/062; F21S 8/063; F21S 8/065; F21S 9/035; F21S 9/037; F21S 10/06

See application file for complete search history.

(56) **References Cited**

U.S. PATENT DOCUMENTS

D342,338 S	*	12/1993	Thun	D26/63
D751,235 S	*	3/2016	Sonneman	D26/88
D775,757 S	*	1/2017	Anastassiades	D26/88
D793,611 S	*	8/2017	Goorsenberg	D26/88
D805,237 S	*	12/2017	Amato	D26/88
D805,238 S	*	12/2017	Amato	D26/88
D810,990 S	*	2/2018	Sempe	D26/88

D819,870 S	*	6/2018	Gambrel	D26/88
D820,501 S	*	6/2018	Amato	D26/88
D822,258 S	*	7/2018	Hendifar	D26/85
D870,352 S	*	12/2019	Arola	D26/88
D893,086 S	*	8/2020	Browning	D26/88

OTHER PUBLICATIONS

LMS Lighting Modern Globe Pendant Light ASIN: B07L48Y59S available at amazon.com Dec. 4, 2018 (Year: 2018).*

Elk Lighting 1-Light Pendant in Polished Chrome, ASIN: B00S84GNVA available at amazon.com Jan. 14, 2015. (Year: 2015).*

H XD Global Modern Fashion Spherical Gold Metal & Glass Hanging Light, ASIN: B07D6K9B8Z available at amazon.com as early as Feb. 10, 2019. (Year: 2019).*

Filament Design 1-Light Natural Brass Semi-Flush Mount with White Opal Glass available from homedepot.com, visited Aug. 9, 2021. (Year: 2021).*

* cited by examiner

Primary Examiner — Clare E Heflin

(74) *Attorney, Agent, or Firm* — Pearne & Gordon LLP

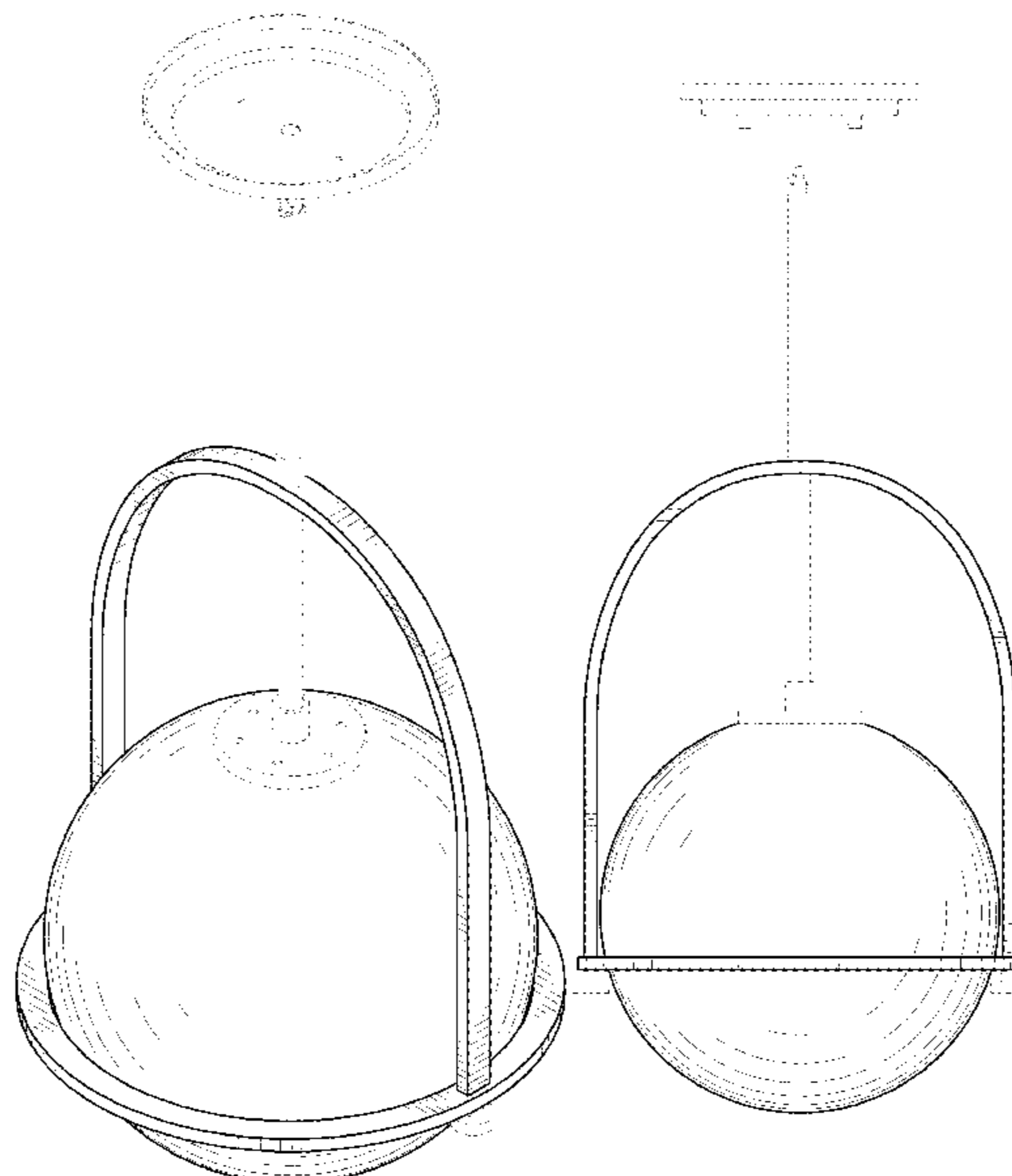
(57) **CLAIM**

The ornamental design for a lighting fixture, as shown and described.

DESCRIPTION

FIG. 1 is a top perspective view of the lighting fixture. FIG. 2 is a bottom perspective view of the lighting fixture. FIG. 3 is a front view of the lighting fixture. FIG. 4 is a right side view of the lighting fixture. FIG. 5 is a rear view of the lighting fixture. FIG. 6 is a left side view of the lighting fixture. FIG. 7 is a bottom view of the lighting fixture; and, FIG. 8 is a top view of the lighting fixture. The broken lines in the figures represent features of the lighting fixture that form no part of claimed design.

1 Claim, 5 Drawing Sheets



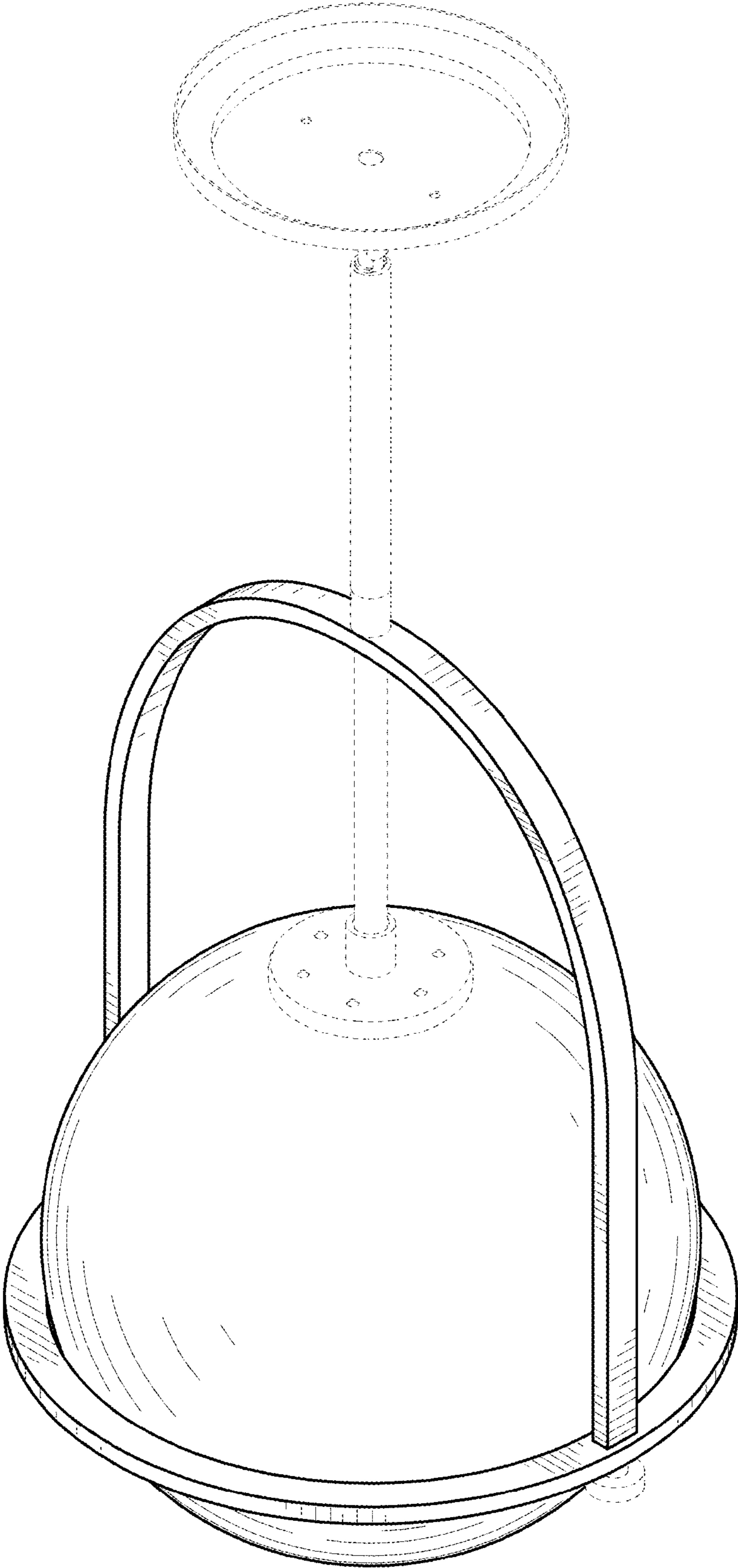


Fig. 1

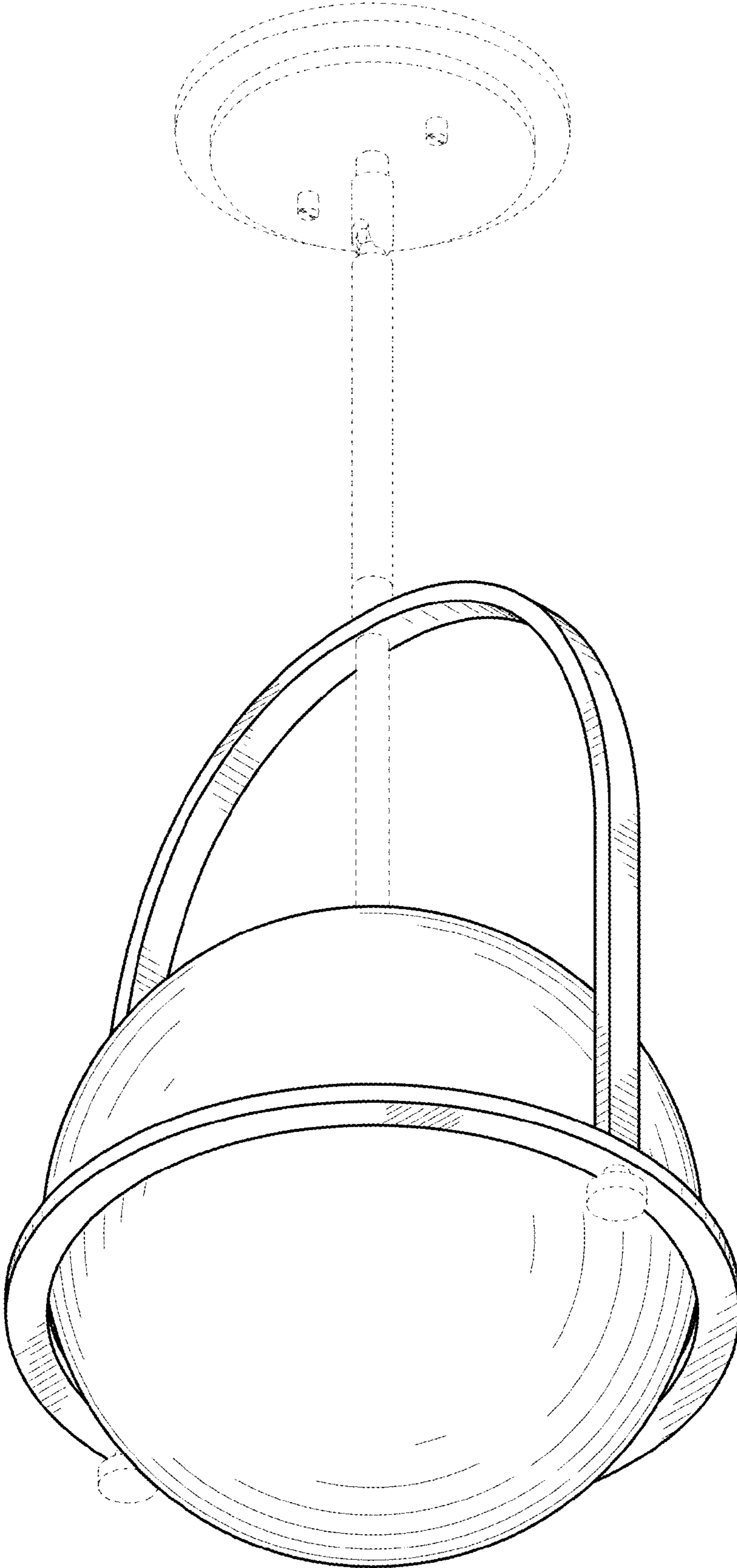


Fig. 2

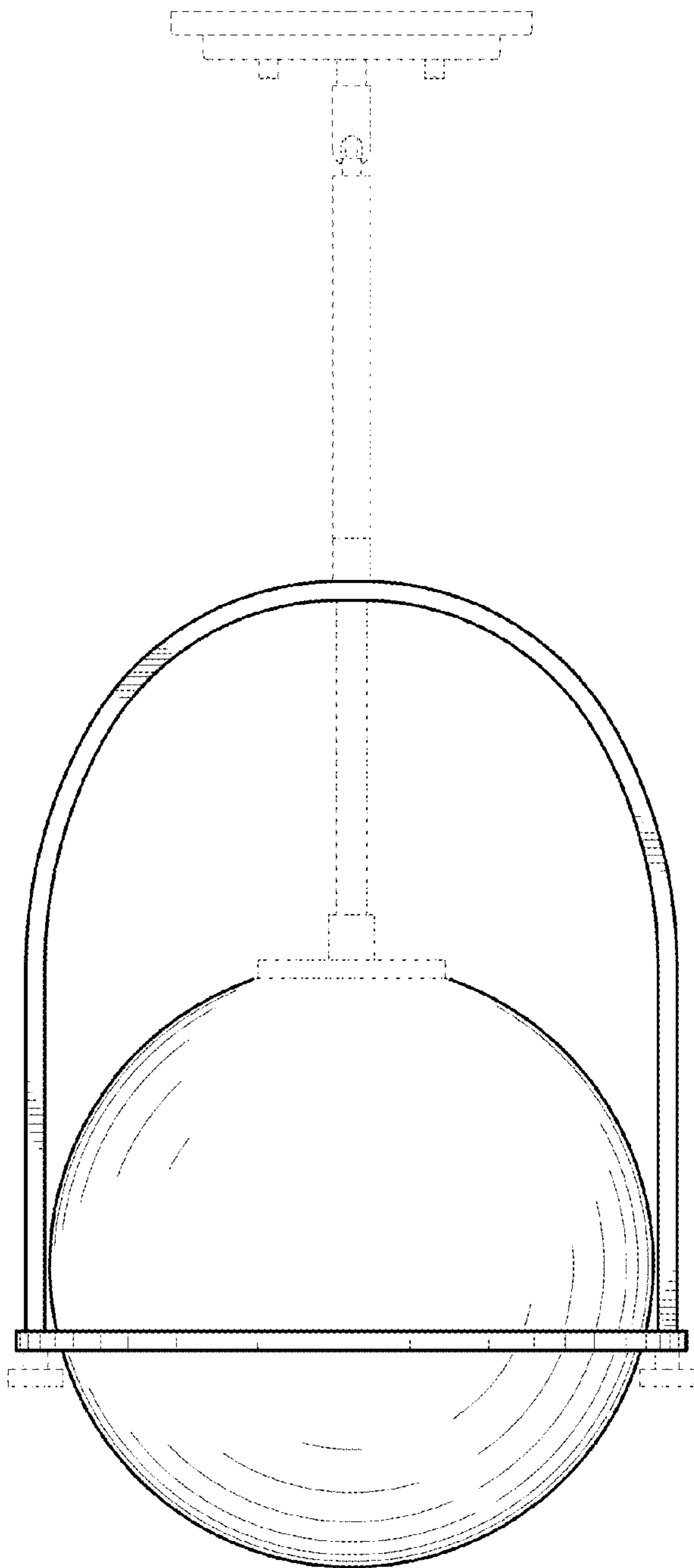


Fig. 3

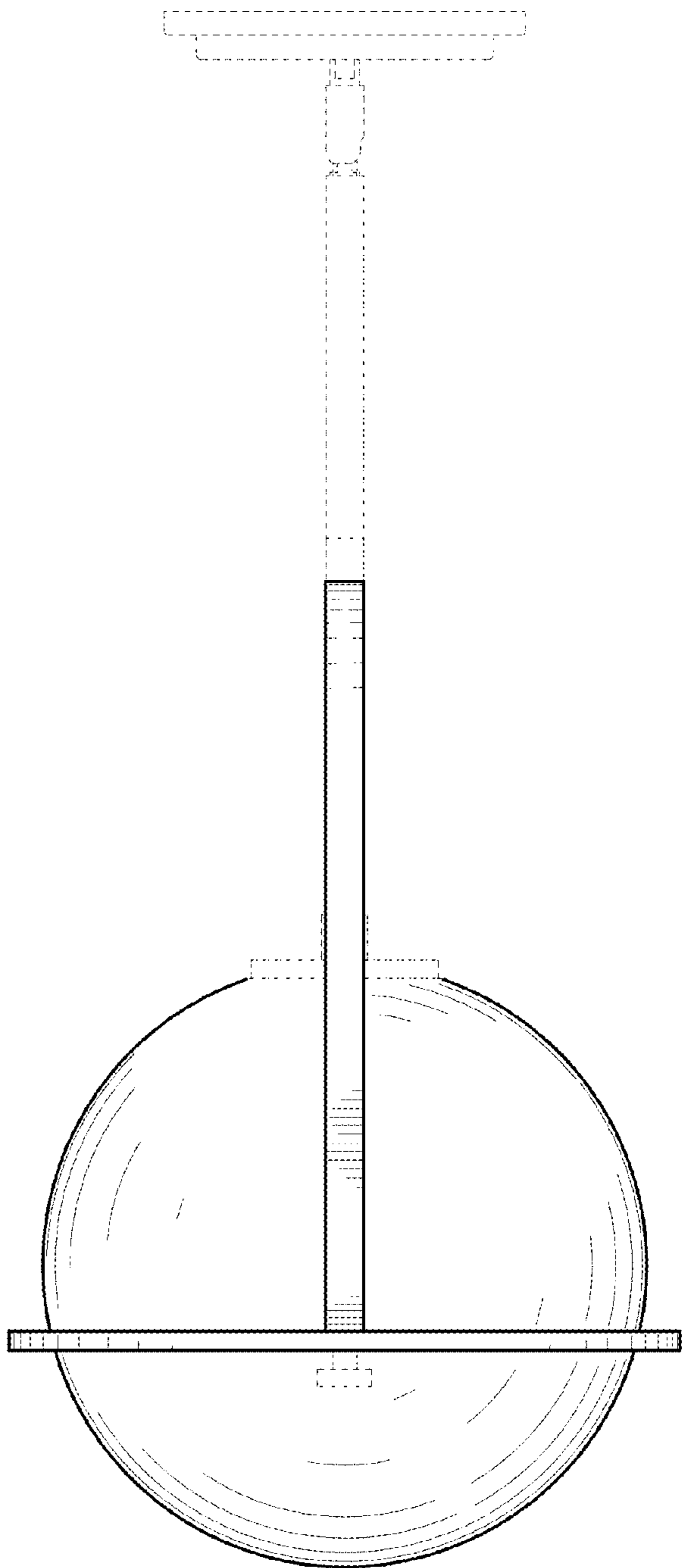


Fig. 4

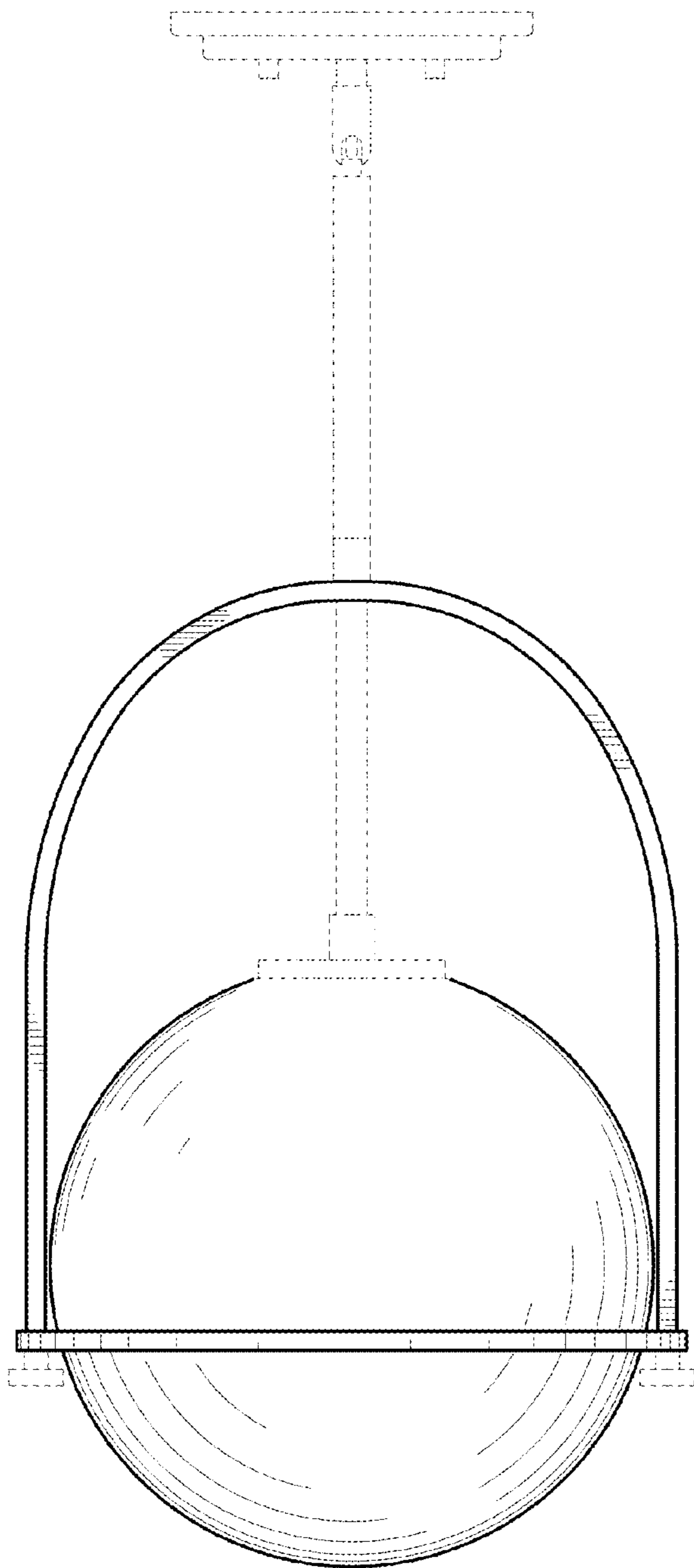


Fig. 5

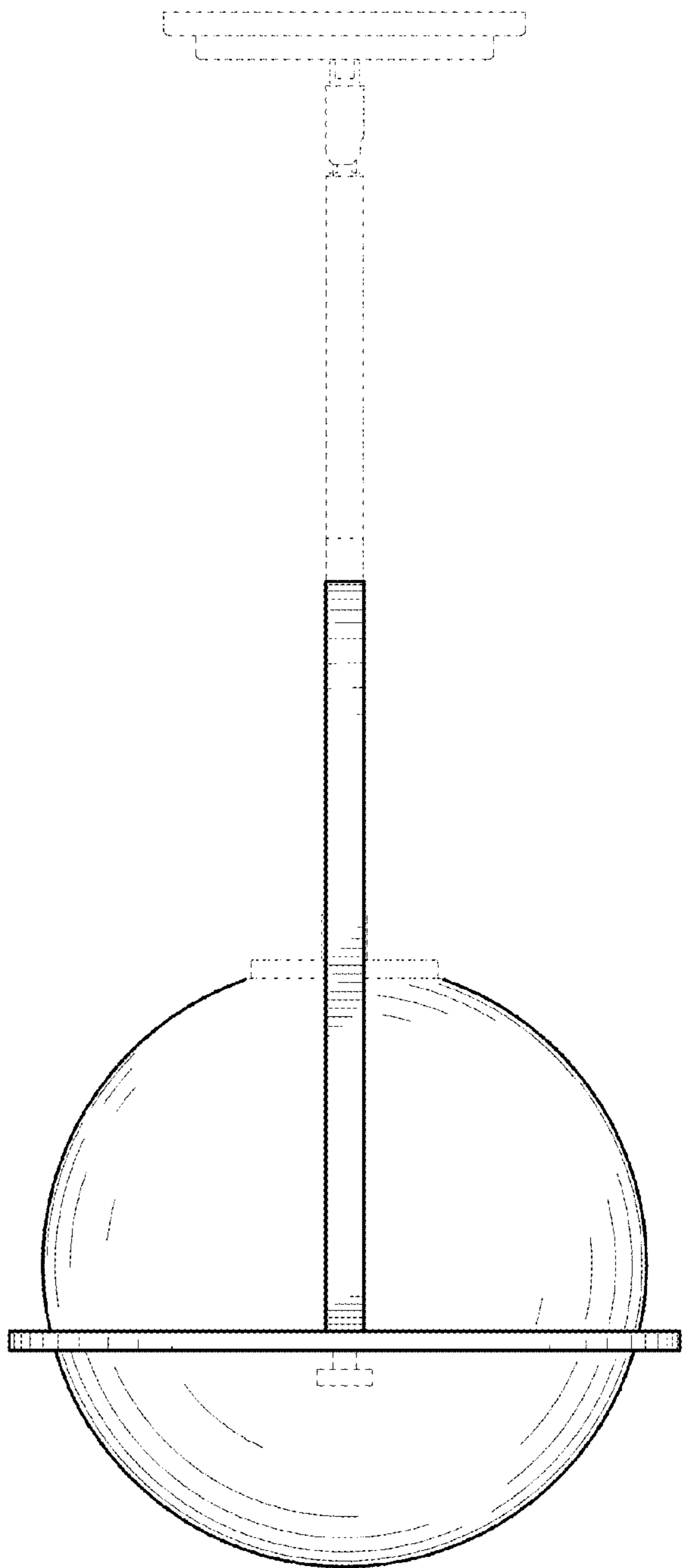


Fig. 6

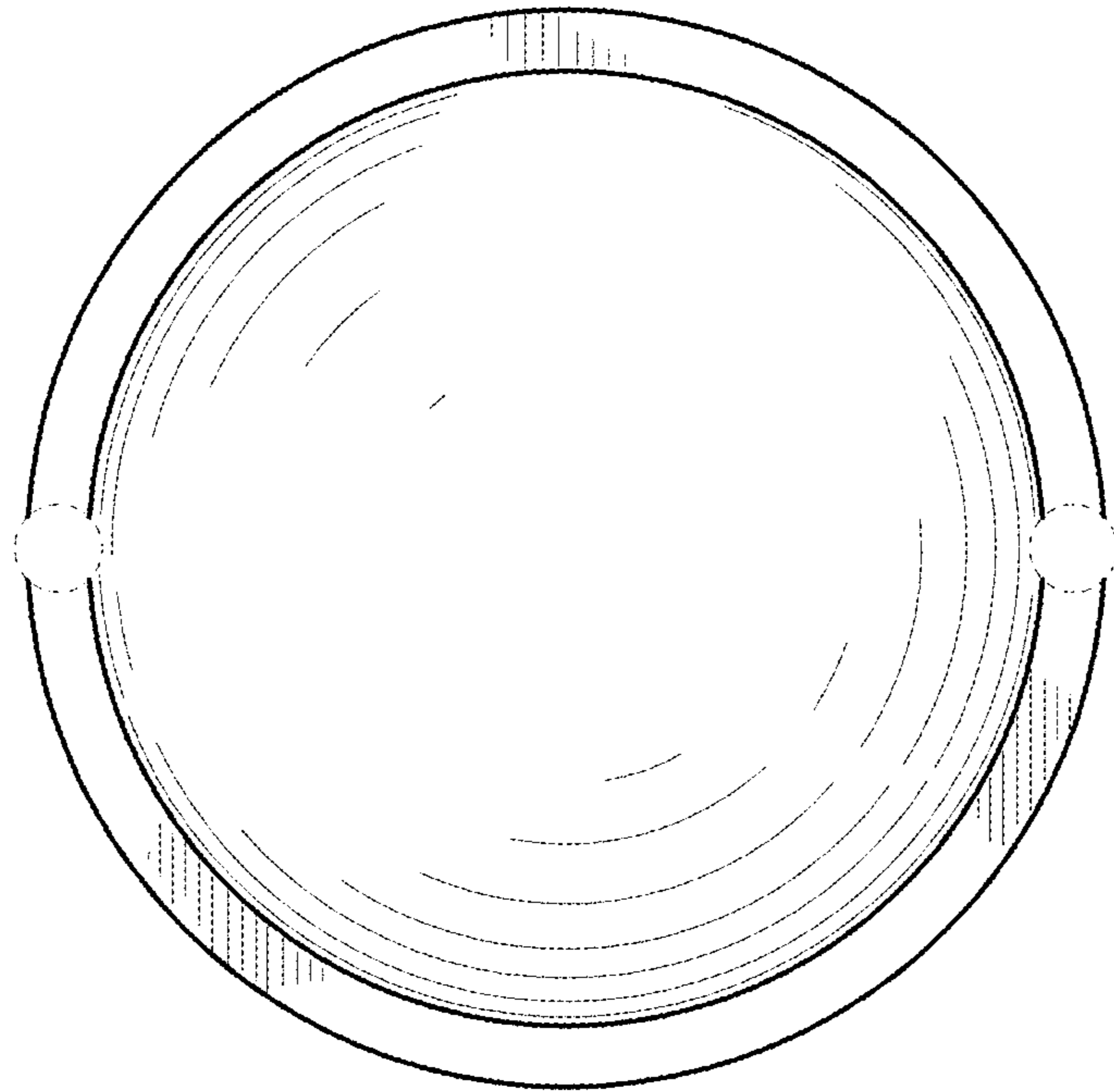


Fig. 7

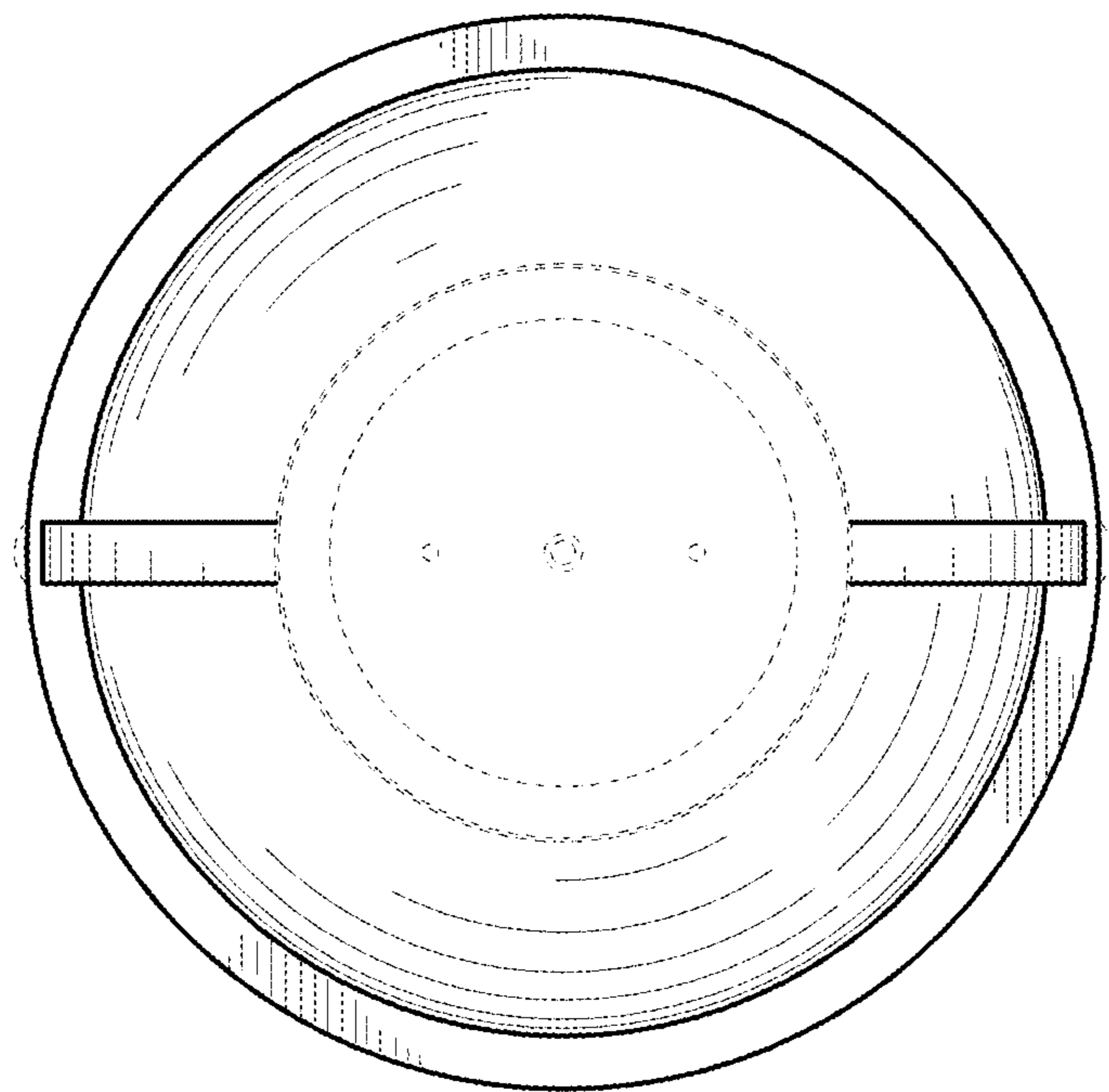


Fig. 8