



US00D932084S

(12) **United States Design Patent**
Knauff

(10) **Patent No.:** **US D932,084 S**

(45) **Date of Patent:** **** Sep. 28, 2021**

(54) **CEILING LAMP**

(71) Applicant: **ANSORG GMBH**, Mulheim an der Ruhr (DE)

(72) Inventor: **Volker Knauff**, Essen (DE)

(73) Assignee: **Ansorg GmbH**, Mulheim an der Ruhr (DE)

(**) Term: **15 Years**

(21) Appl. No.: **29/691,887**

(22) Filed: **May 20, 2019**

(30) **Foreign Application Priority Data**

Nov. 21, 2018 (WO) 77048

(51) **LOC (13) Cl.** **26-05**

(52) **U.S. Cl.**
USPC **D26/76**

(58) **Field of Classification Search**
USPC D26/24, 25, 26, 27, 60-69, 72, 74, 75,
D26/76, 77, 78, 80, 81, 82, 83, 85, 86,
(Continued)

(56) **References Cited**

U.S. PATENT DOCUMENTS

2,323,073 A * 6/1943 Netting H01R 33/02
362/225
D191,762 S * 11/1961 Rothman D26/76
(Continued)

FOREIGN PATENT DOCUMENTS

WO D079617-001 * 12/2012
WO D079617-002 * 12/2012
(Continued)

OTHER PUBLICATIONS

“Sun & Sand Sports,” 2015, ansorg.com, site visited Oct. 29, 2020,
URL: <https://ansorg.com/en/references/fashion/sun-sand-sports/#/> (Year:
2015).*

(Continued)

Primary Examiner — Eric L Goodman

Assistant Examiner — Sarah L Smith

(74) *Attorney, Agent, or Firm* — Dentons US LLP

(57) **CLAIM**

The ornamental design for a ceiling lamp, as shown and described.

DESCRIPTION

FIG. 1 is a front and left side isometric view of a ceiling lamp;

FIG. 2 is a rear and right side isometric view thereof;

FIG. 3 is a front elevation view thereof;

FIG. 4 is a right-side elevation view thereof, the left-side view being a mirror image of the right-side view;

FIG. 5 is a rear elevation view thereof;

FIG. 6 is a top view thereof;

FIG. 7 is a bottom view thereof;

FIG. 8 is a front and left side isometric view of a ceiling lamp according to another embodiment;

FIG. 9 is a rear and right side isometric view thereof;

FIG. 10 is a front elevation view thereof;

FIG. 11 is a right-side elevation view thereof, the left-side view being a mirror image of the right-side view;

FIG. 12 is a rear elevation view thereof;

FIG. 13 is a top view thereof;

FIG. 14 is a bottom view thereof;

FIG. 15 is a front and left side isometric view of a ceiling lamp according to another embodiment;

FIG. 16 is a rear and right side isometric view thereof;

FIG. 17 is a front elevation view thereof;

FIG. 18 is a right-side elevation view thereof, the left-side view being a mirror image of the right-side view;

FIG. 19 is a rear elevation view thereof;

FIG. 20 is a top view thereof;

FIG. 21 is a bottom view thereof;

FIG. 22 is a front and left side isometric view of a ceiling lamp according to another embodiment;

FIG. 23 is a rear and right side isometric view thereof;

FIG. 24 is a front elevation view thereof;

FIG. 25 is a right-side elevation view thereof, the left-side view being a mirror image of the right-side view;

FIG. 26 is a rear elevation view thereof;

(Continued)

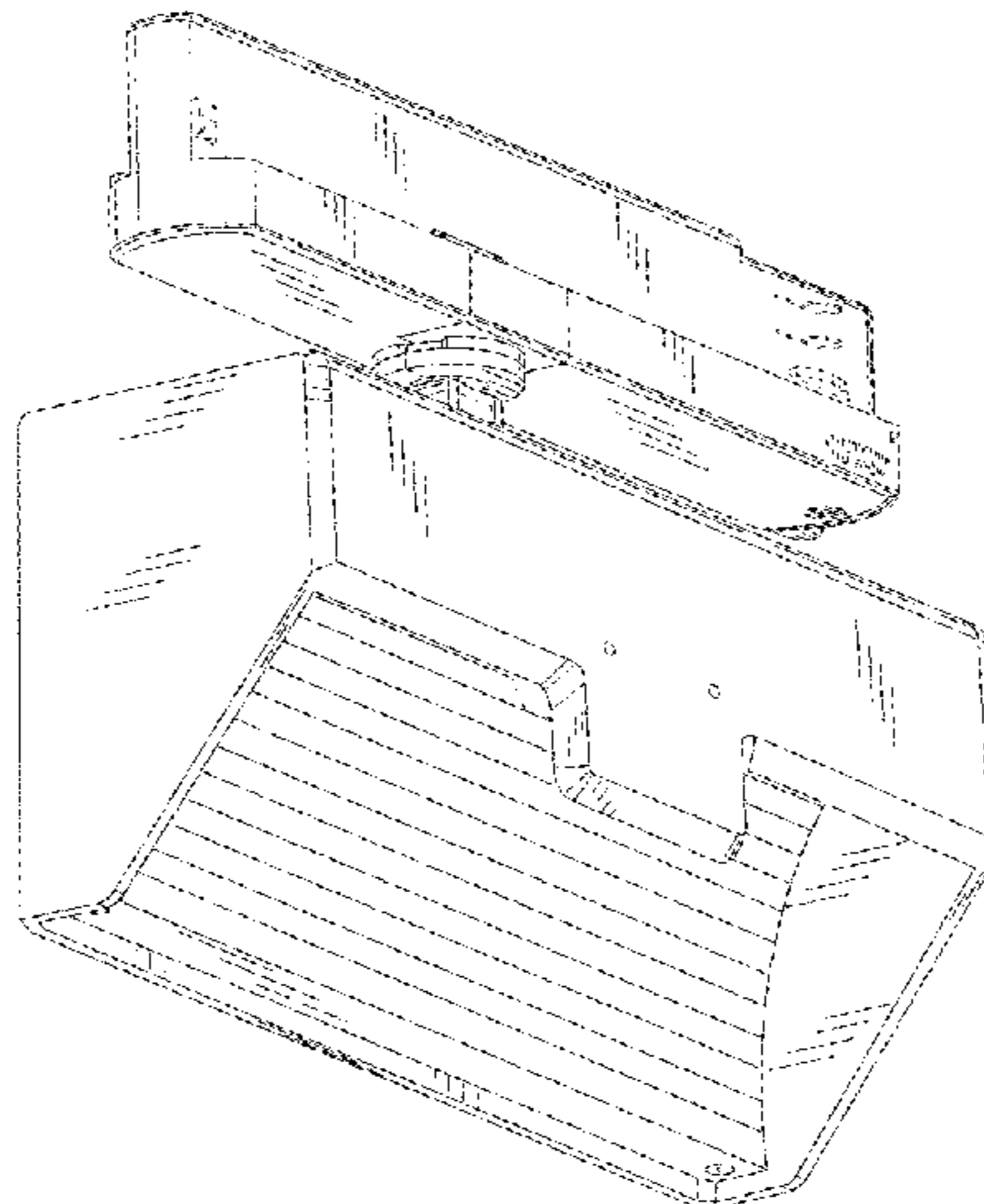


FIG. 27 is a top view thereof; and,
 FIG. 28 is a bottom view thereof.
 The broken lines showing of the ceiling lamps depicts portions of the ceiling lamps and form no part of the claimed design.
 The drawings include surface shading that represents contour and not surface ornamentation.

1 Claim, 12 Drawing Sheets

(58) **Field of Classification Search**

USPC D26/88, 89, 93, 104, 106, 108–115, 118,
 D26/120; D10/111–115
 CPC F21S 8/00; F21S 8/03; F21S 8/04; F21S
 8/026; F21S 8/046; F21S 8/088; F21V
 15/00; F21V 15/01

See application file for complete search history.

(56) **References Cited**

U.S. PATENT DOCUMENTS

D203,060	S	*	11/1965	Schaefer	D26/76
D216,911	S	*	3/1970	Specht	D26/24
D229,628	S	*	12/1973	Wolfson	D26/67
D364,479	S	*	11/1995	Gilbert	D26/75
D378,143	S	*	2/1997	Kollins	D26/60
D390,992	S	*	2/1998	Shemitz	D26/63
D570,037	S	*	5/2008	Hartman	D26/138
D577,146	S	*	9/2008	Haugaard	D26/118
D587,389	S	*	2/2009	Benensohn	D26/63
D612,975	S	*	3/2010	Guercio	D26/85

D617,929	S	*	6/2010	Kuo	D26/60
D623,787	S	*	9/2010	Kuo	D26/60
D629,548	S	*	12/2010	Cai	D26/63
D653,377	S	*	1/2012	Guercio	D26/85
D774,681	S	*	12/2016	Liang	D26/85
D834,736	S	*	11/2018	Liu	26/85
D862,764	S	*	10/2019	Deng	D26/72
D895,194	S	*	9/2020	Bou Harb	D26/113

FOREIGN PATENT DOCUMENTS

WO	D103112-001	*	10/2018
WO	D103112-002	*	10/2018

OTHER PUBLICATIONS

“150W LED Wall Pack Light with Dusk-to-Dawn Photocell,” Jan. 5, 2017, amazon.com, site visited Oct. 29, 2020, URL: https://www.amazon.com/18000lm-Outdoor-Security-600-800W-Replacement/dp/B00P5VMN86/ref=sr_1_8?dchild=1&keywords=wall+pack+light&qid=1603977308&sr=8-8 (Year: 2017).*

“Dodo Outlet Center,” 2017, ansorg.com, site visited Oct. 29, 2020, URL: <https://ansorg.com/en/references/home-stores/dodo-outlet-store/#/> (Year: 2017).*

“Lighting Tools 2017,” 2017, archiexpo.com, site visited Nov. 6, 2020, URL: <https://pdf.archiexpo.com/pdf/ansorg/lighting-tools-2017/53320-293190.html> (Year: 2017).*

“Bio & Co,” 2017, ansorg.com, site visited Oct. 29, 2020, URL: <https://ansorg.com/en/references/food/bio-co-vallauris/#/> (Year: 2017).*

“Organic Farma Zdrowia,” 2018, ansorg.com, site visited Oct. 29, 2020, URL: <https://ansorg.com/en/references/food/organic-farma-zdrowia/#/> (Year: 2018).*

* cited by examiner

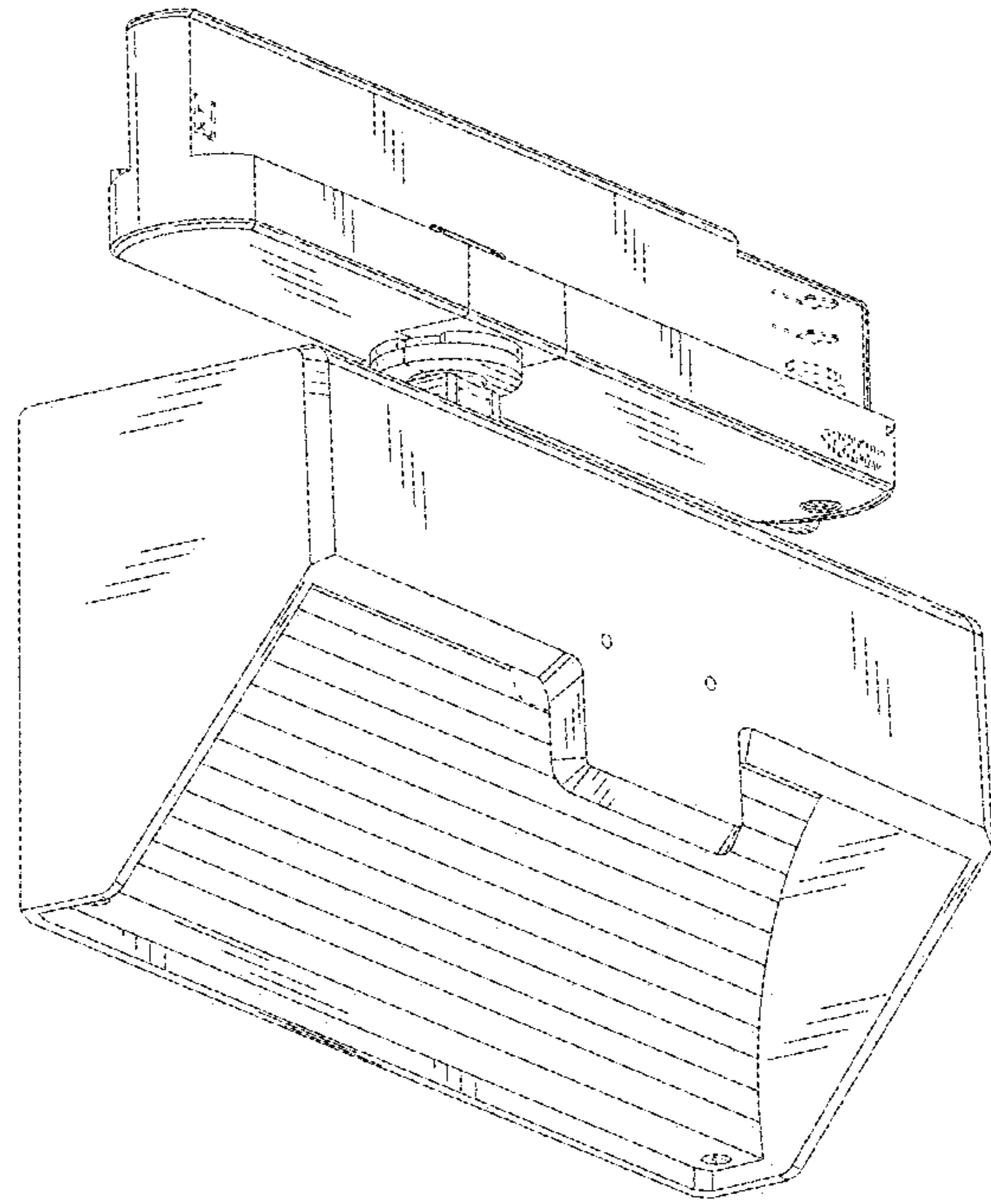


FIG. 1

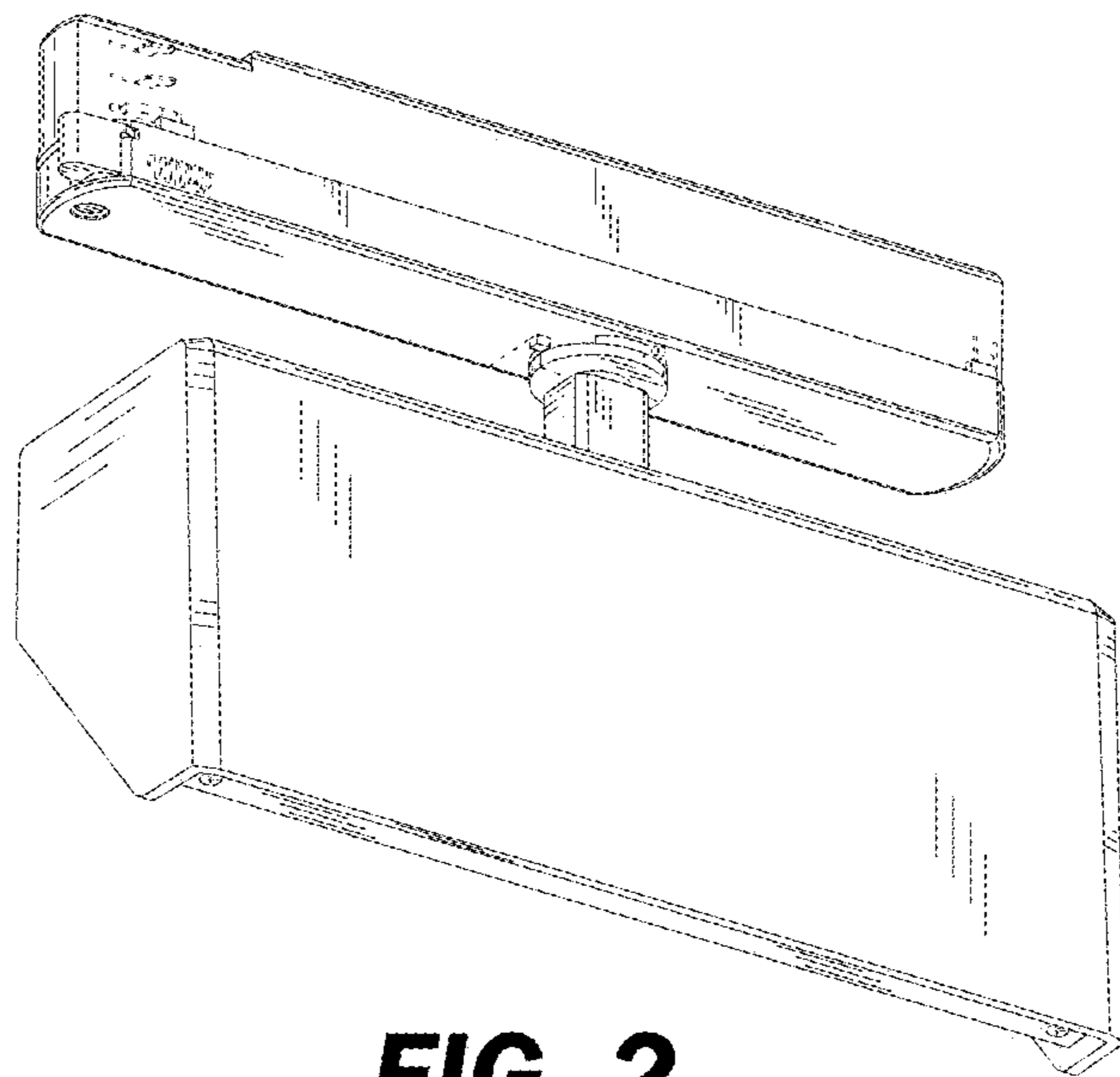


FIG. 2

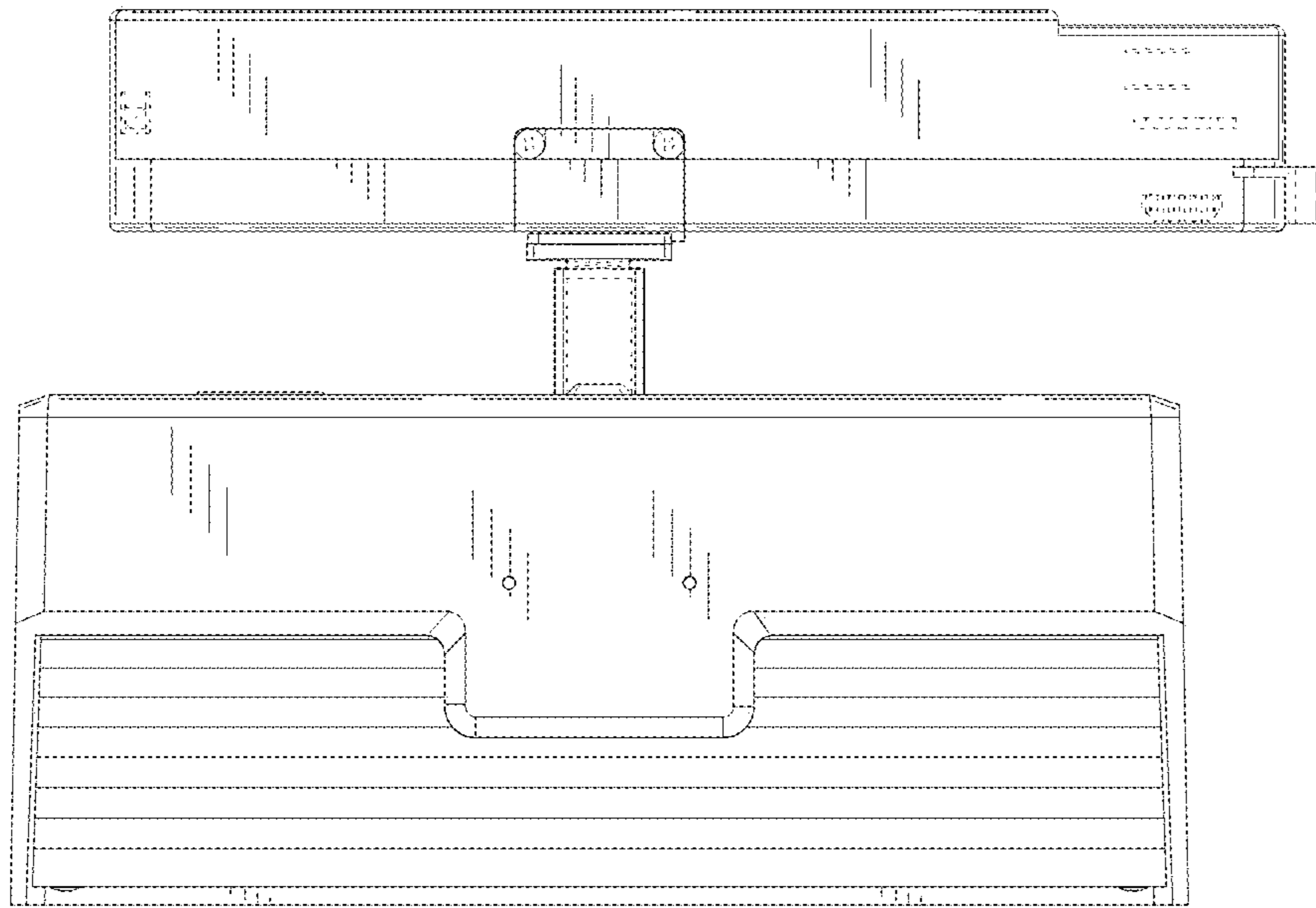


FIG. 3

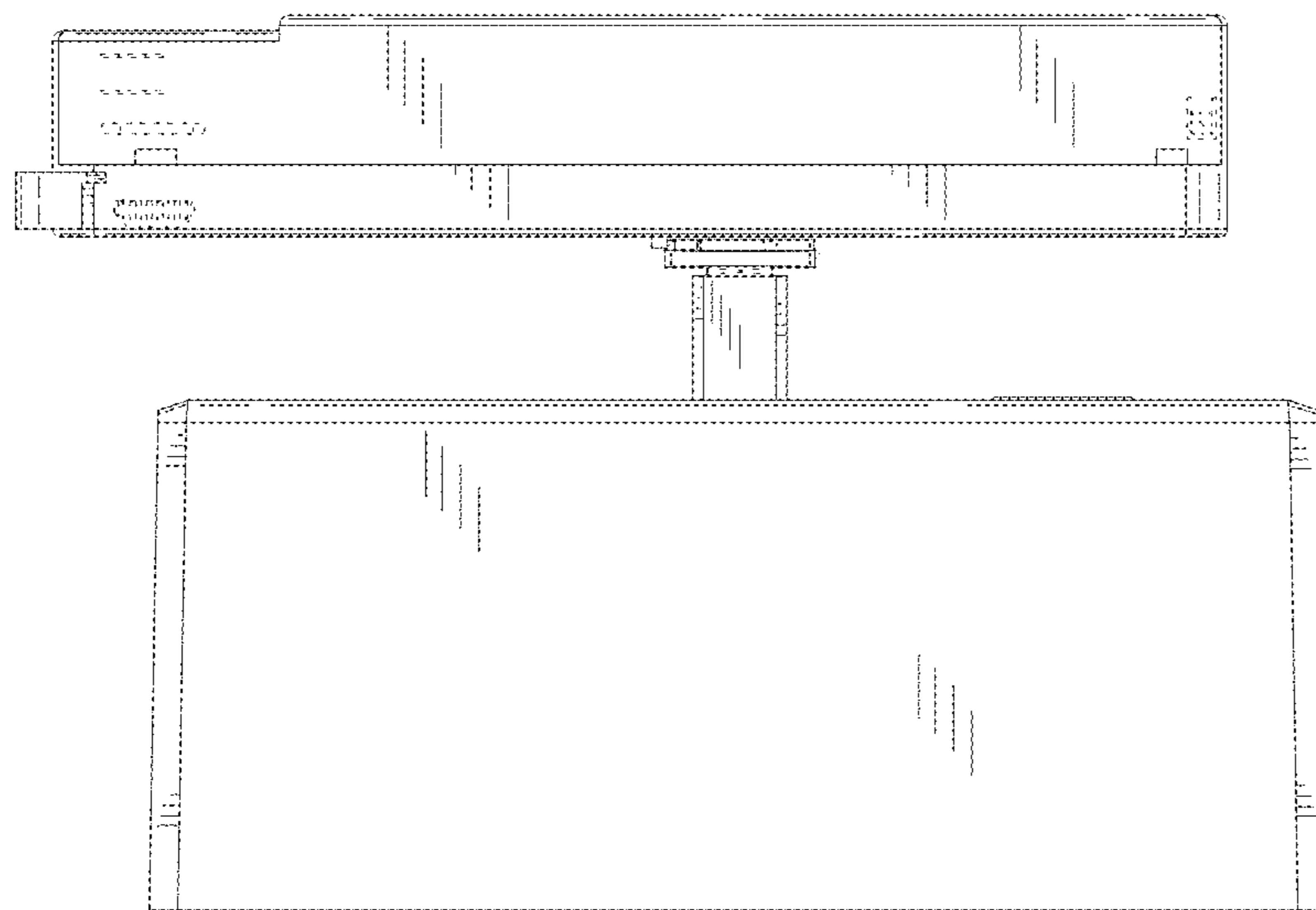


FIG. 5

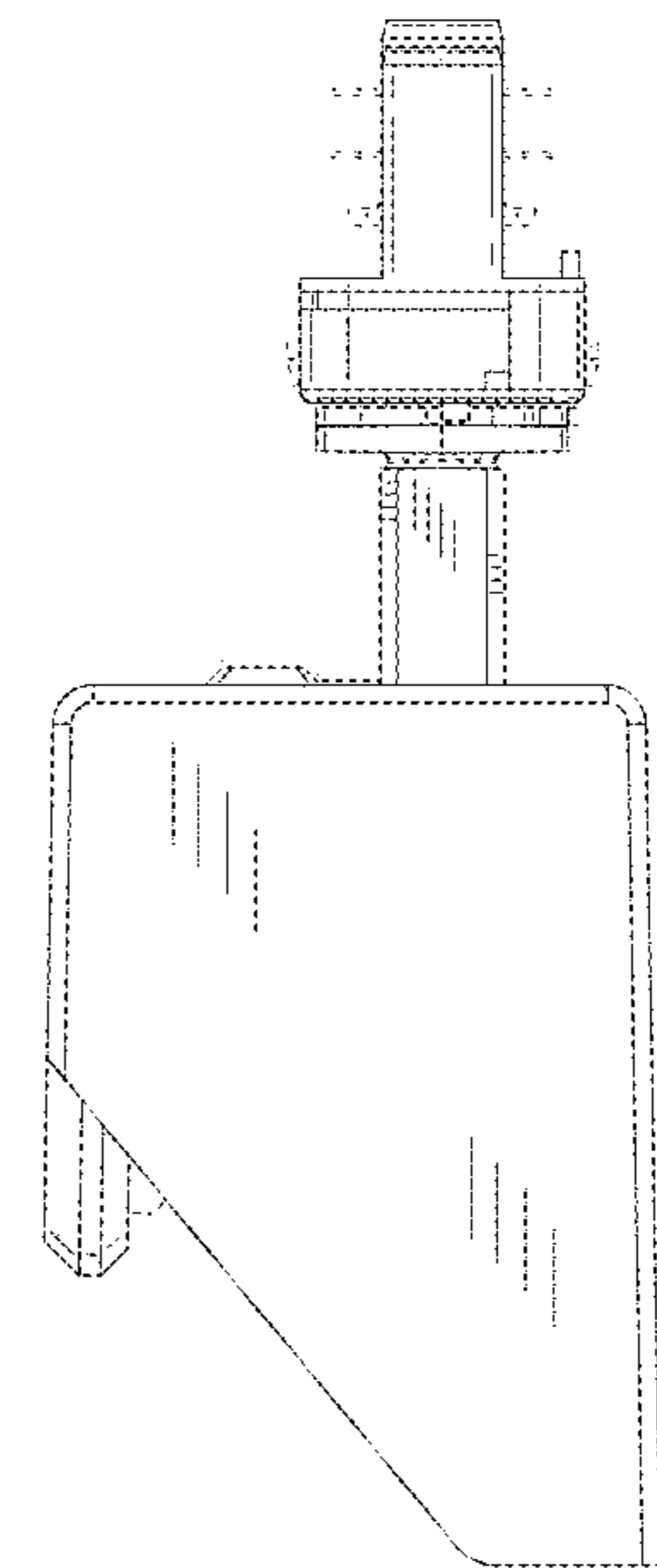


FIG. 4

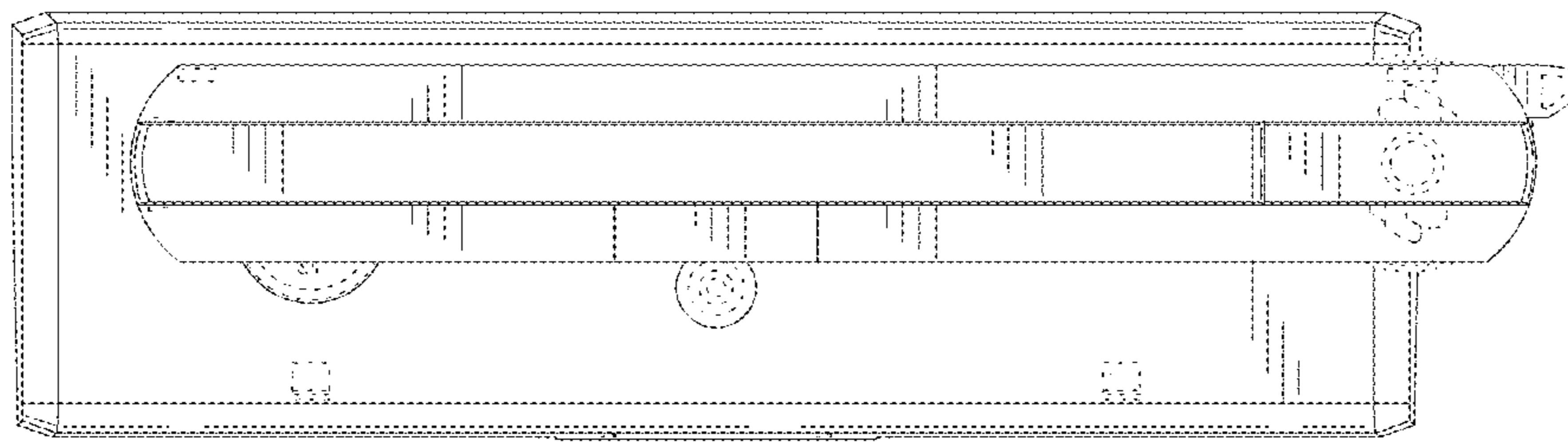


FIG. 6

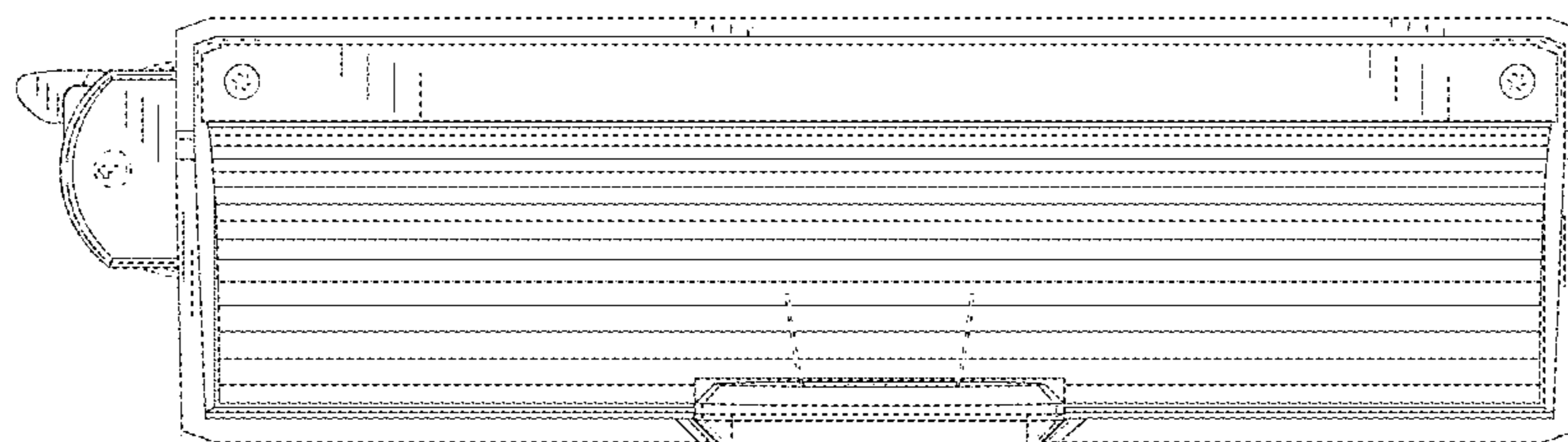


FIG. 7

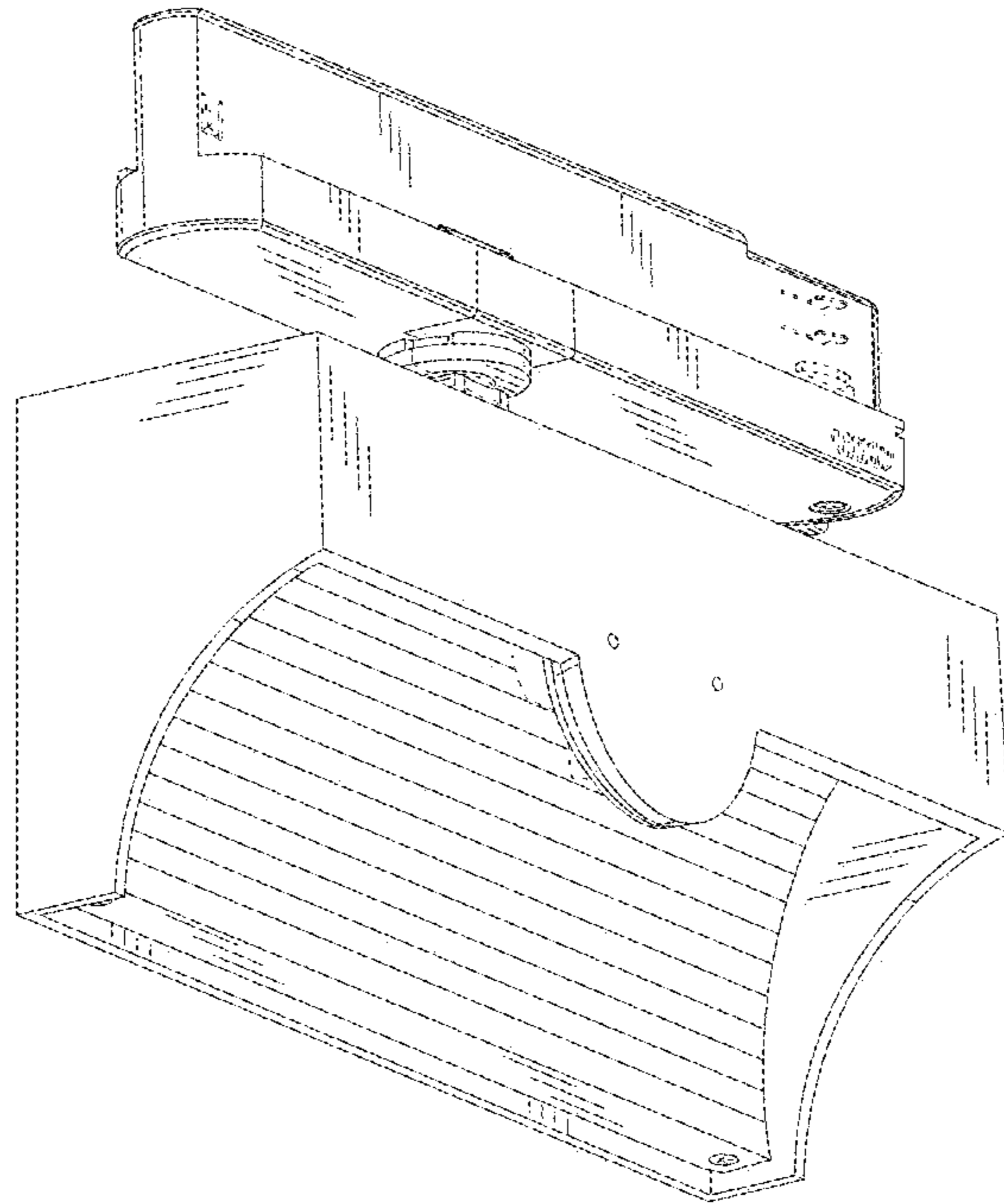


FIG. 8

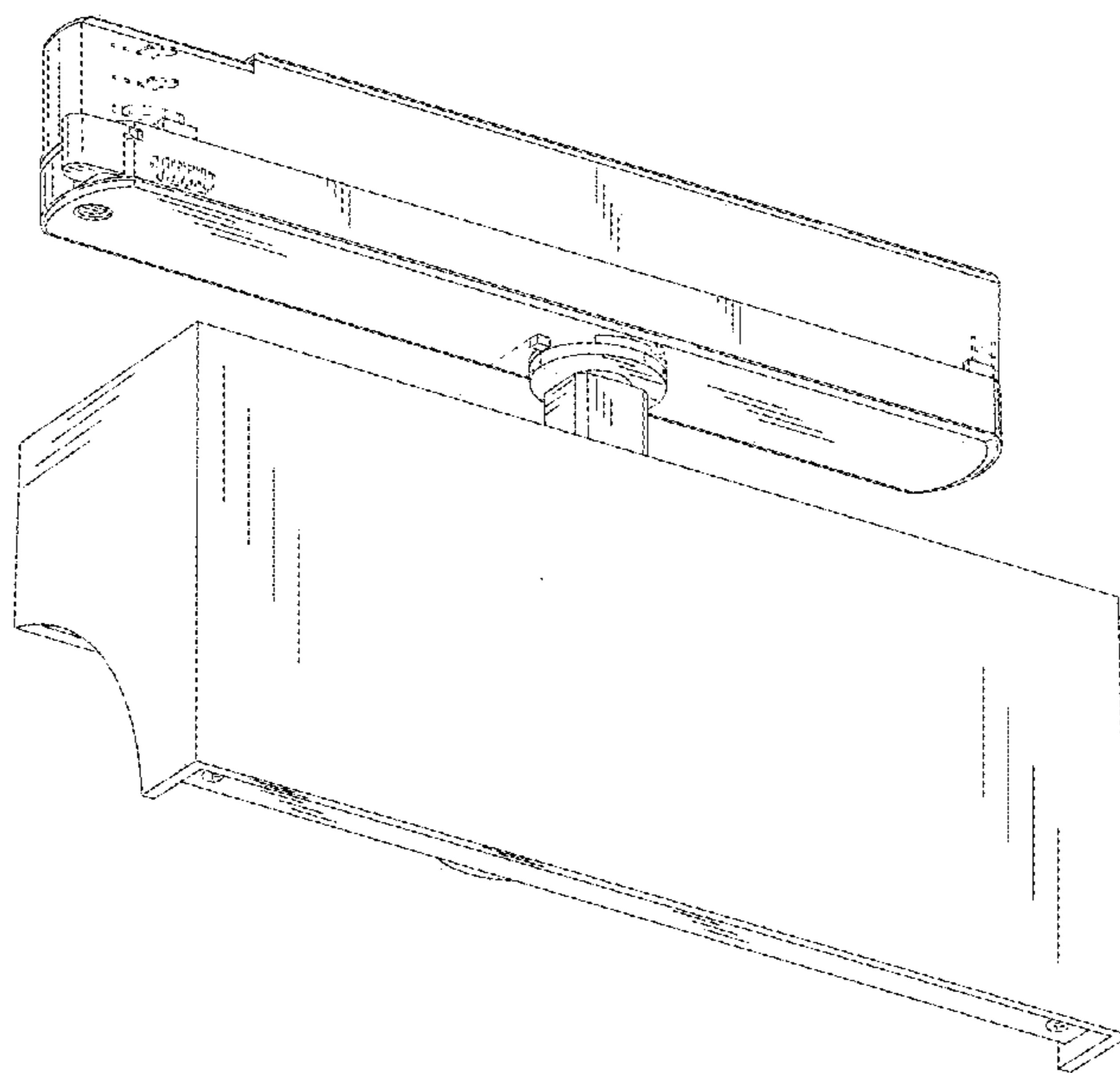


FIG. 9

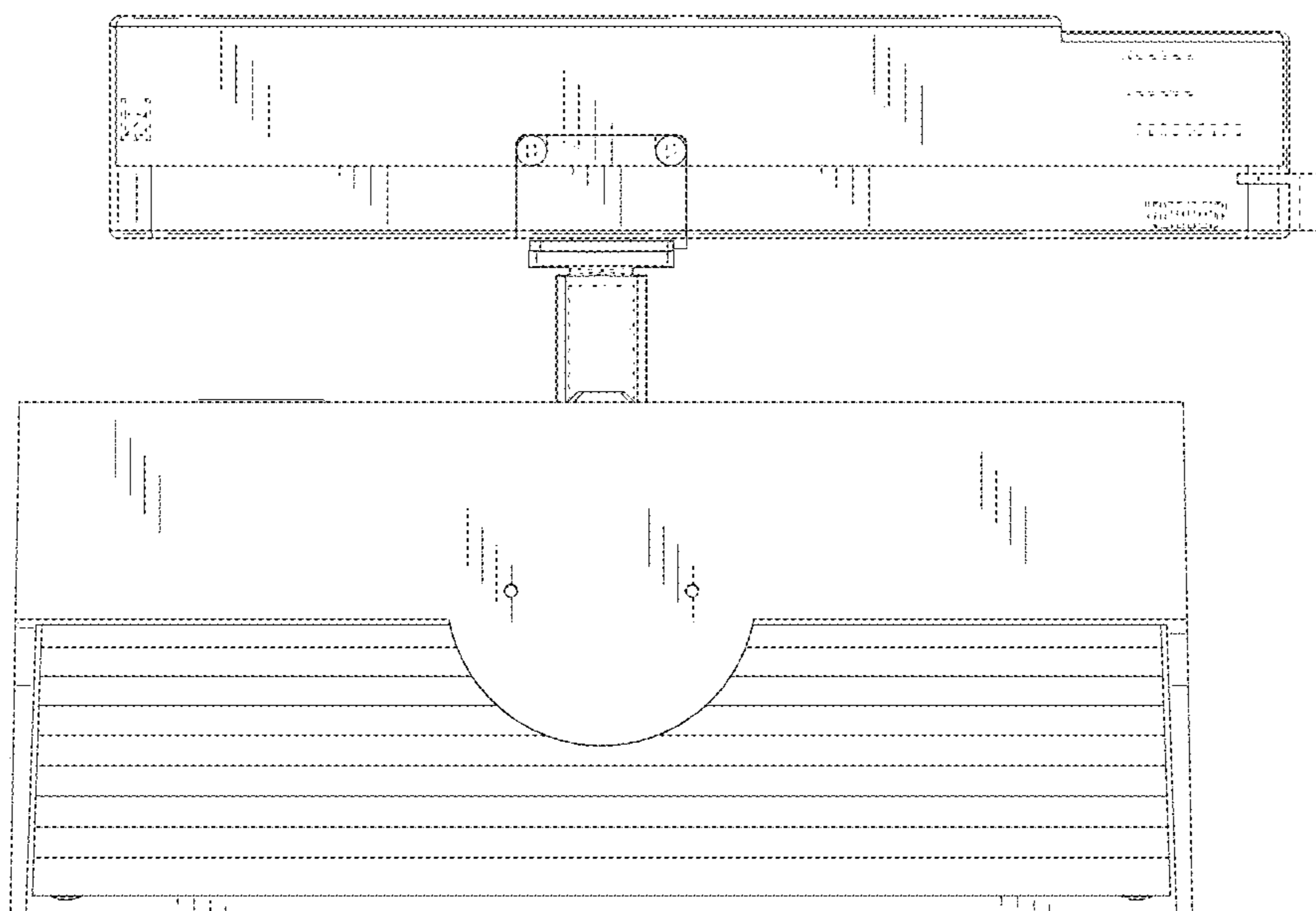


FIG. 10

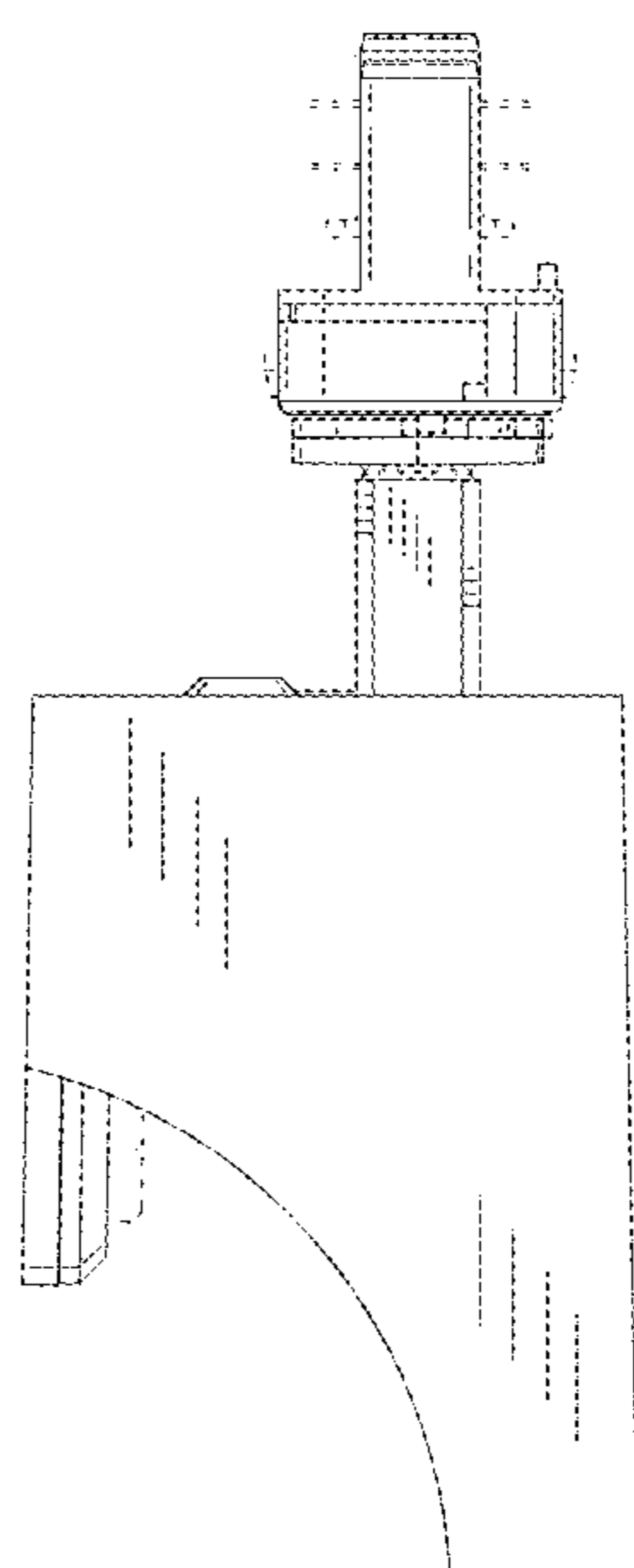


FIG. 11

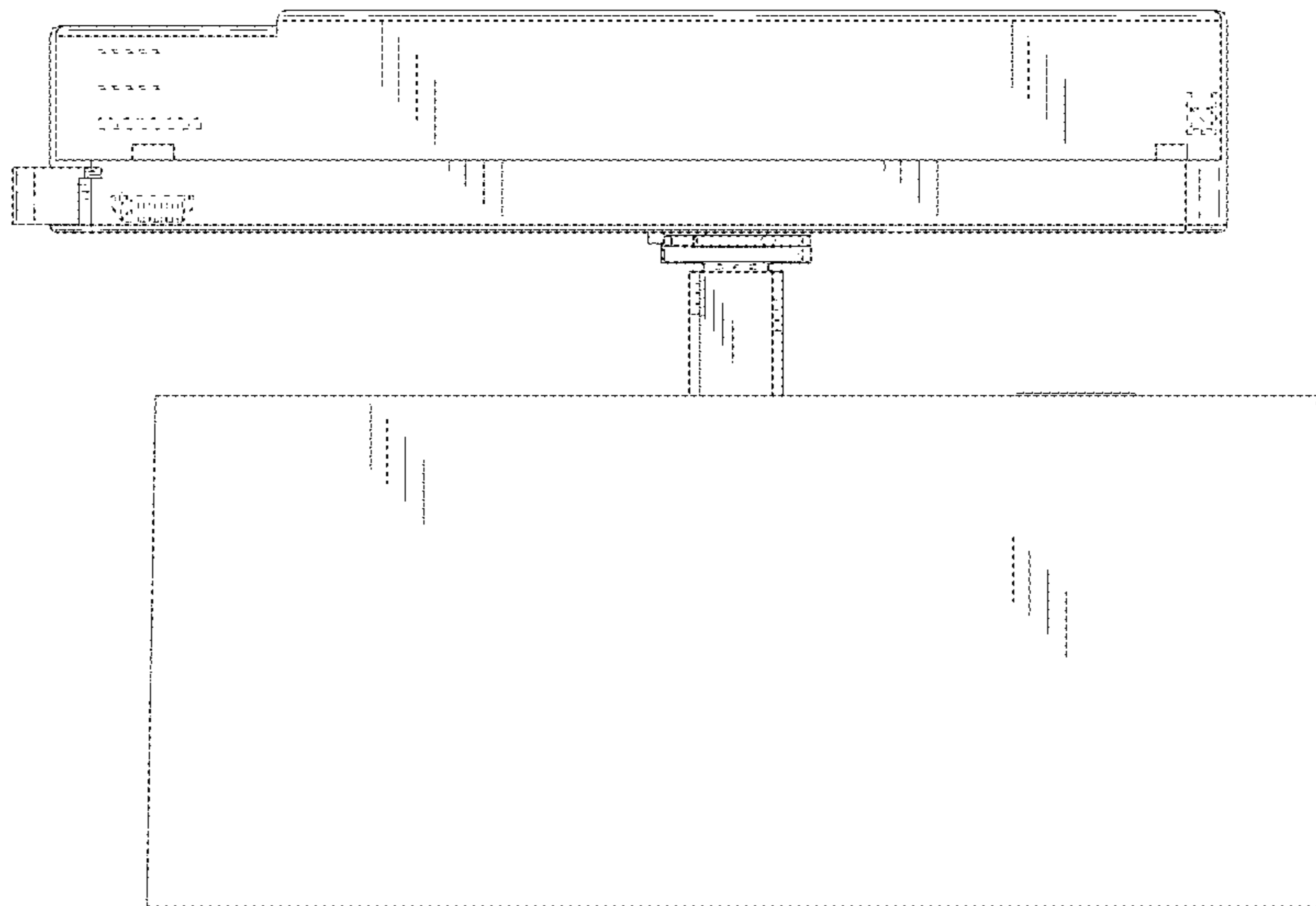


FIG. 12

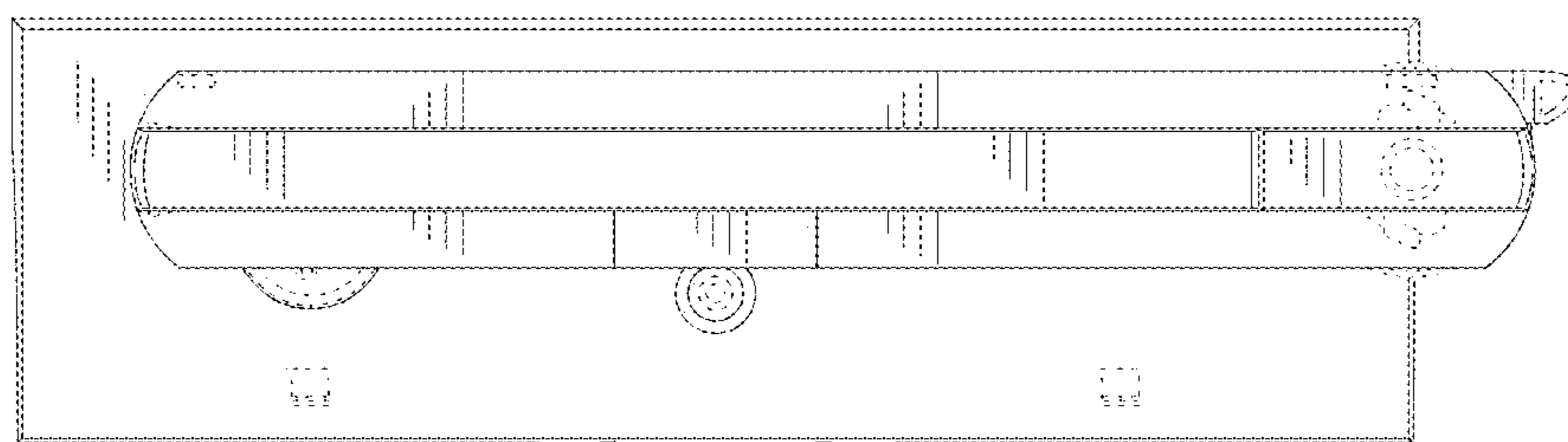


FIG. 13

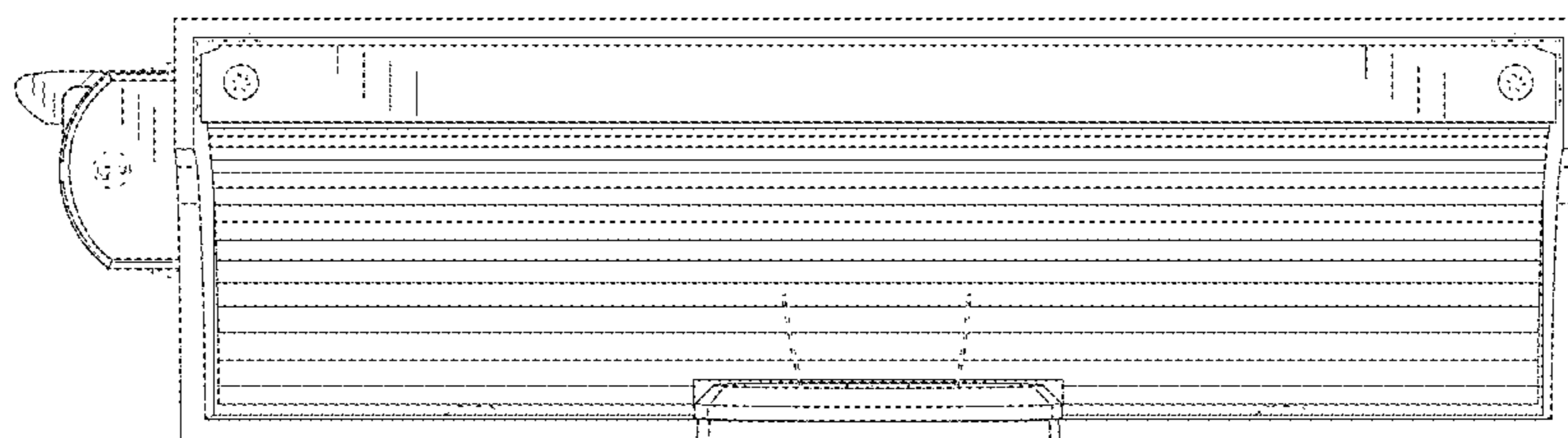


FIG. 14

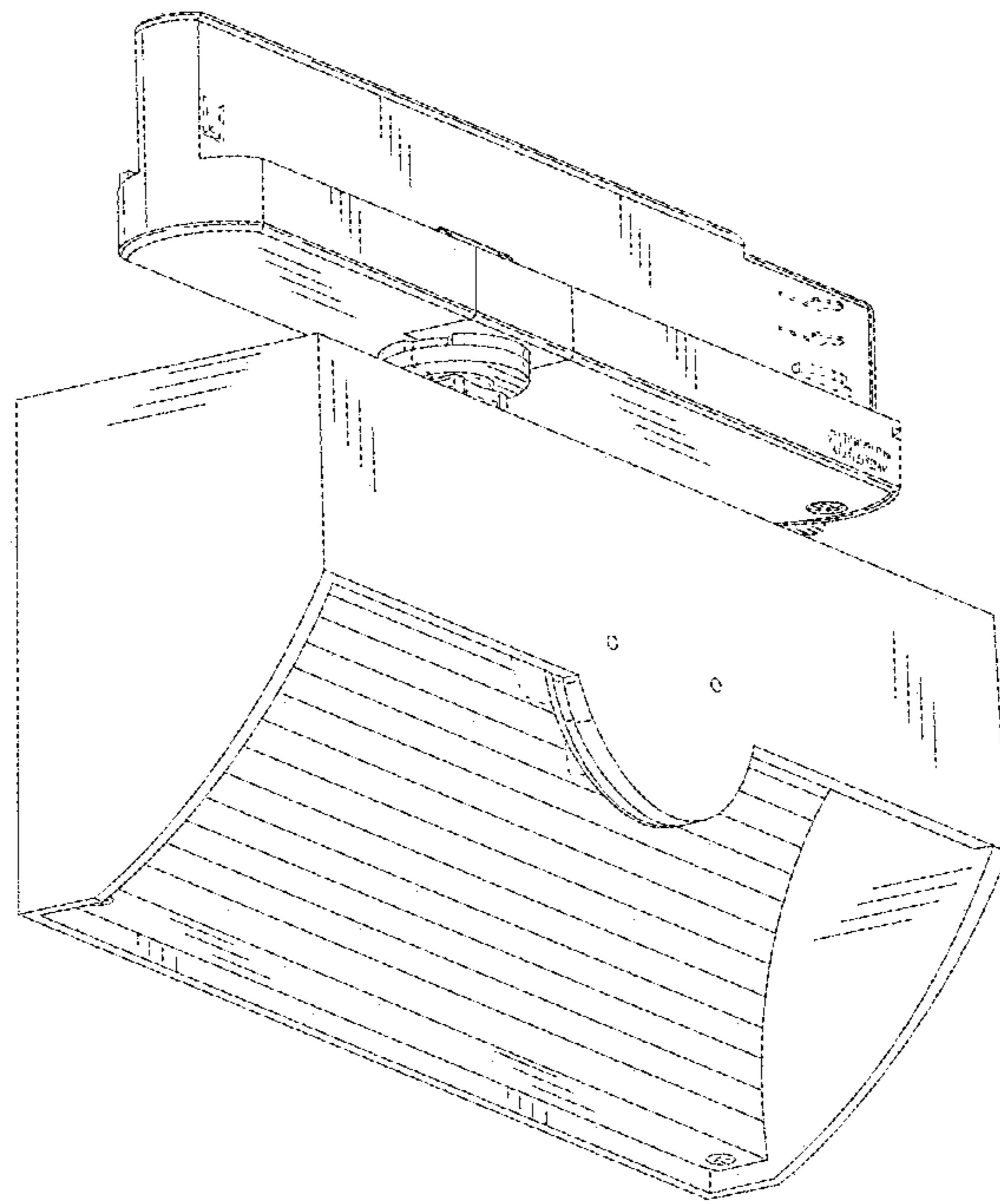


FIG. 15

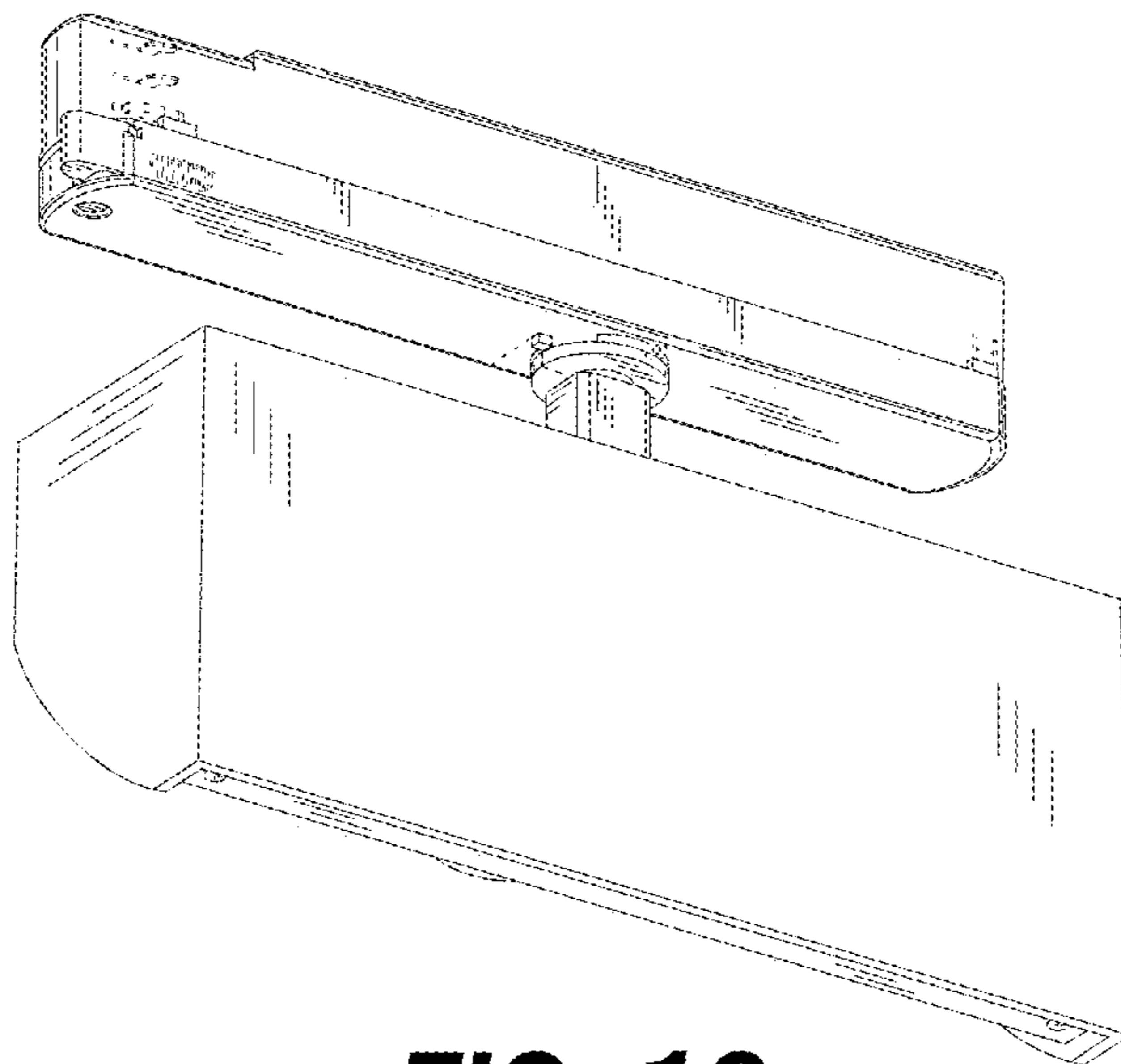


FIG. 16

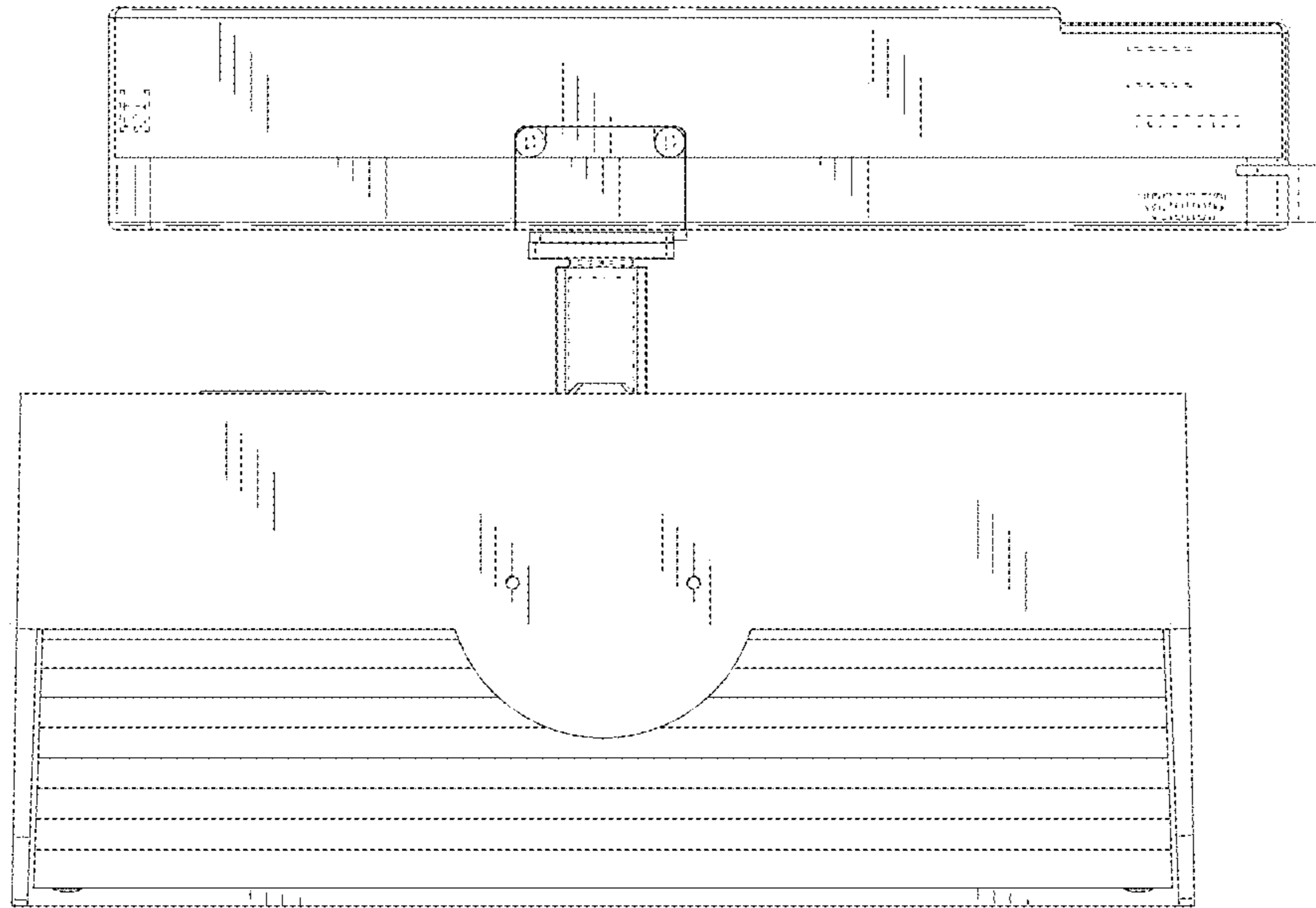


FIG. 17

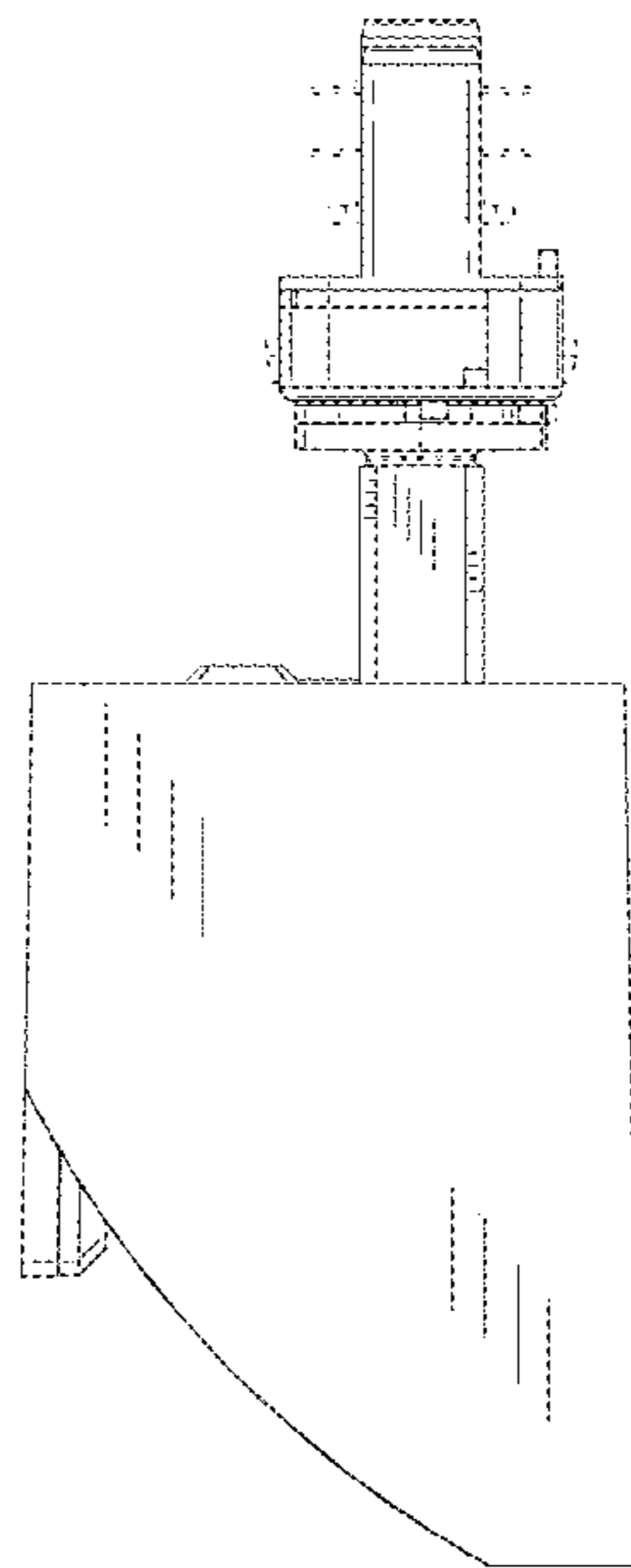


FIG. 18

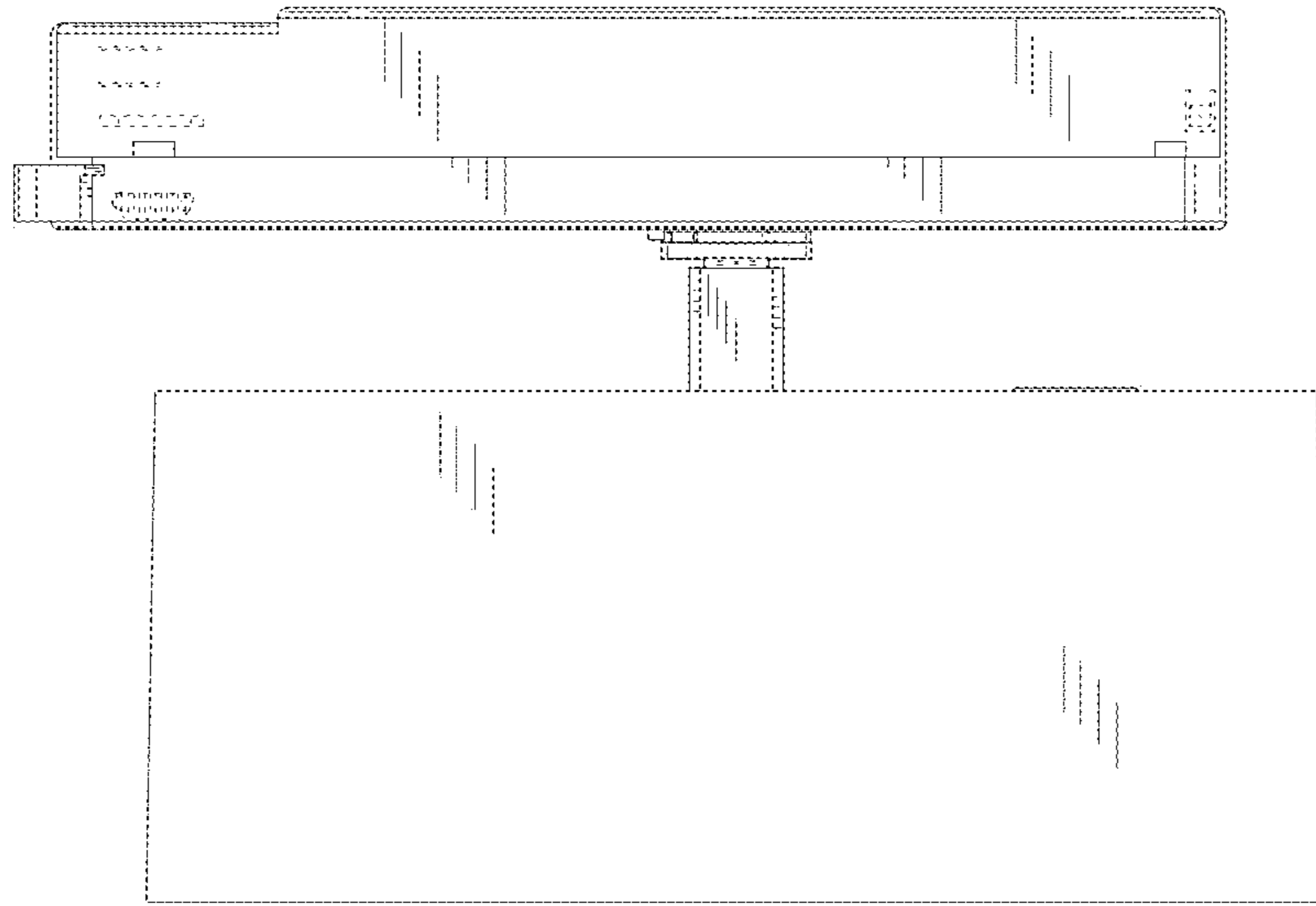


FIG. 19

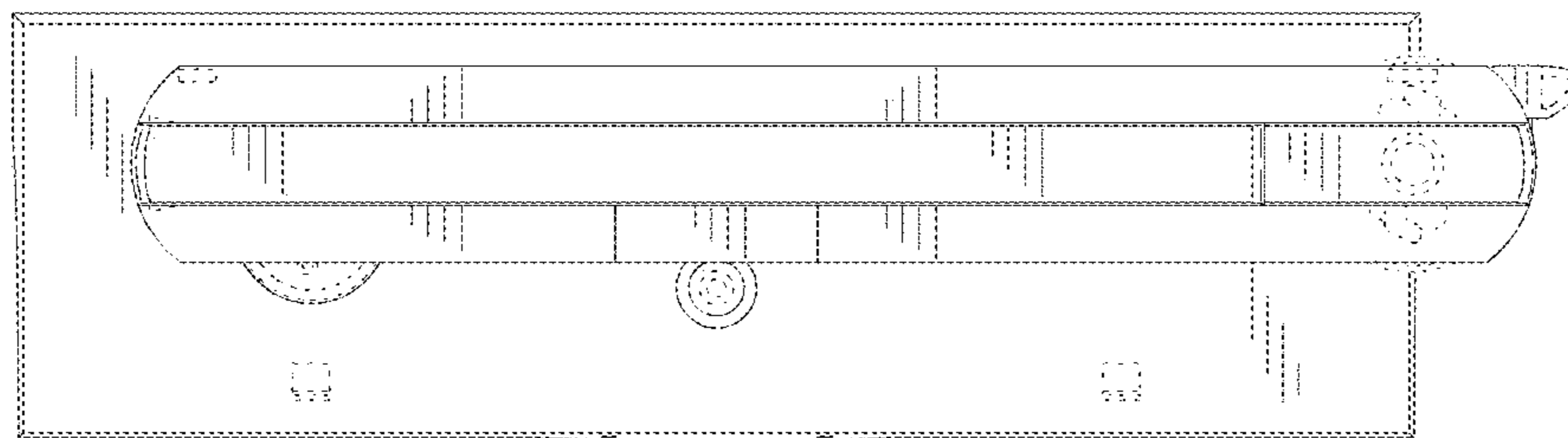


FIG. 20

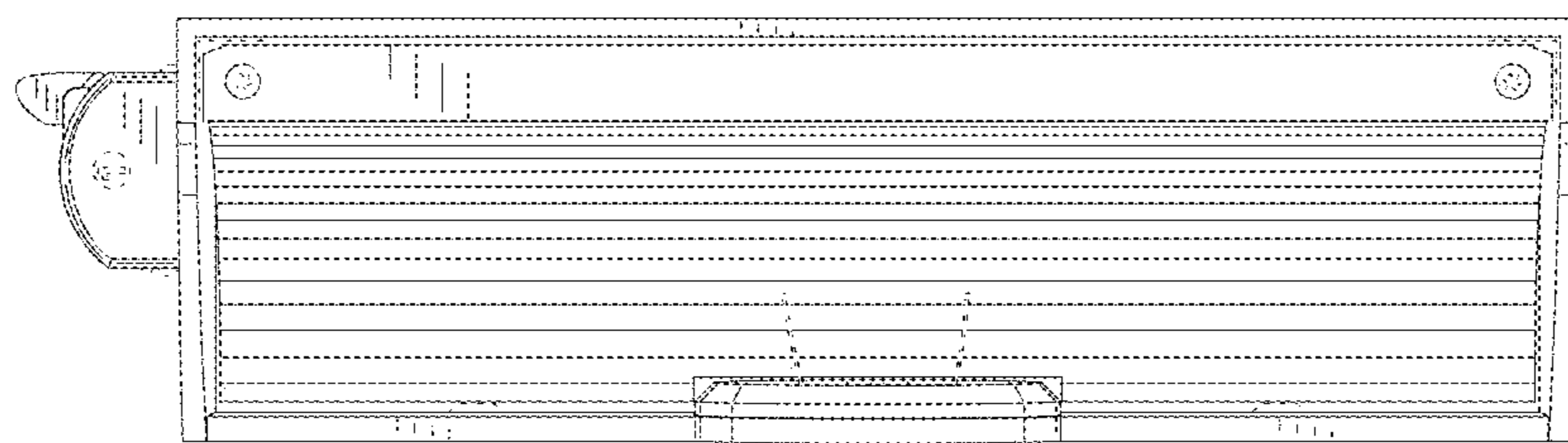


FIG. 21

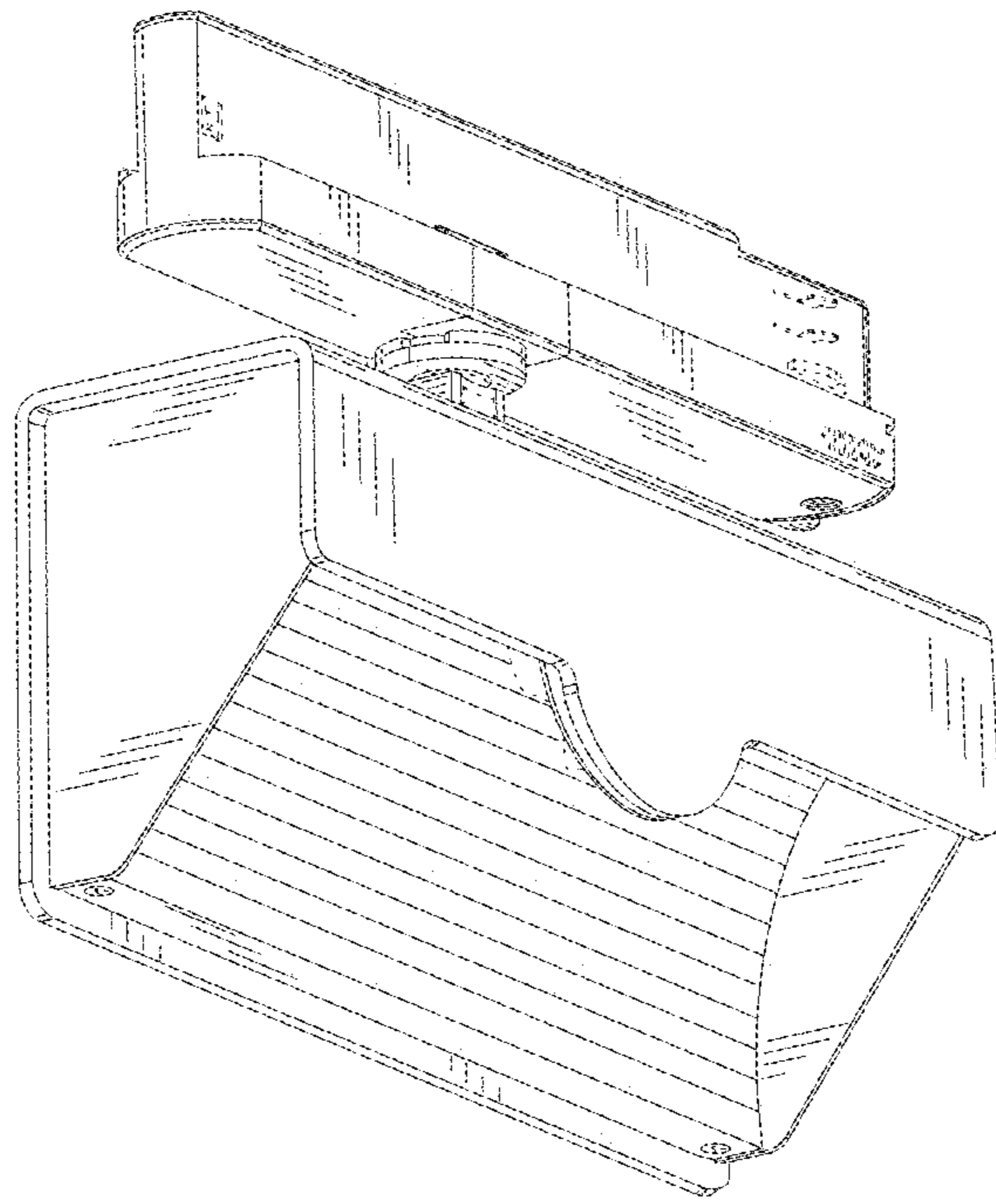


FIG. 22

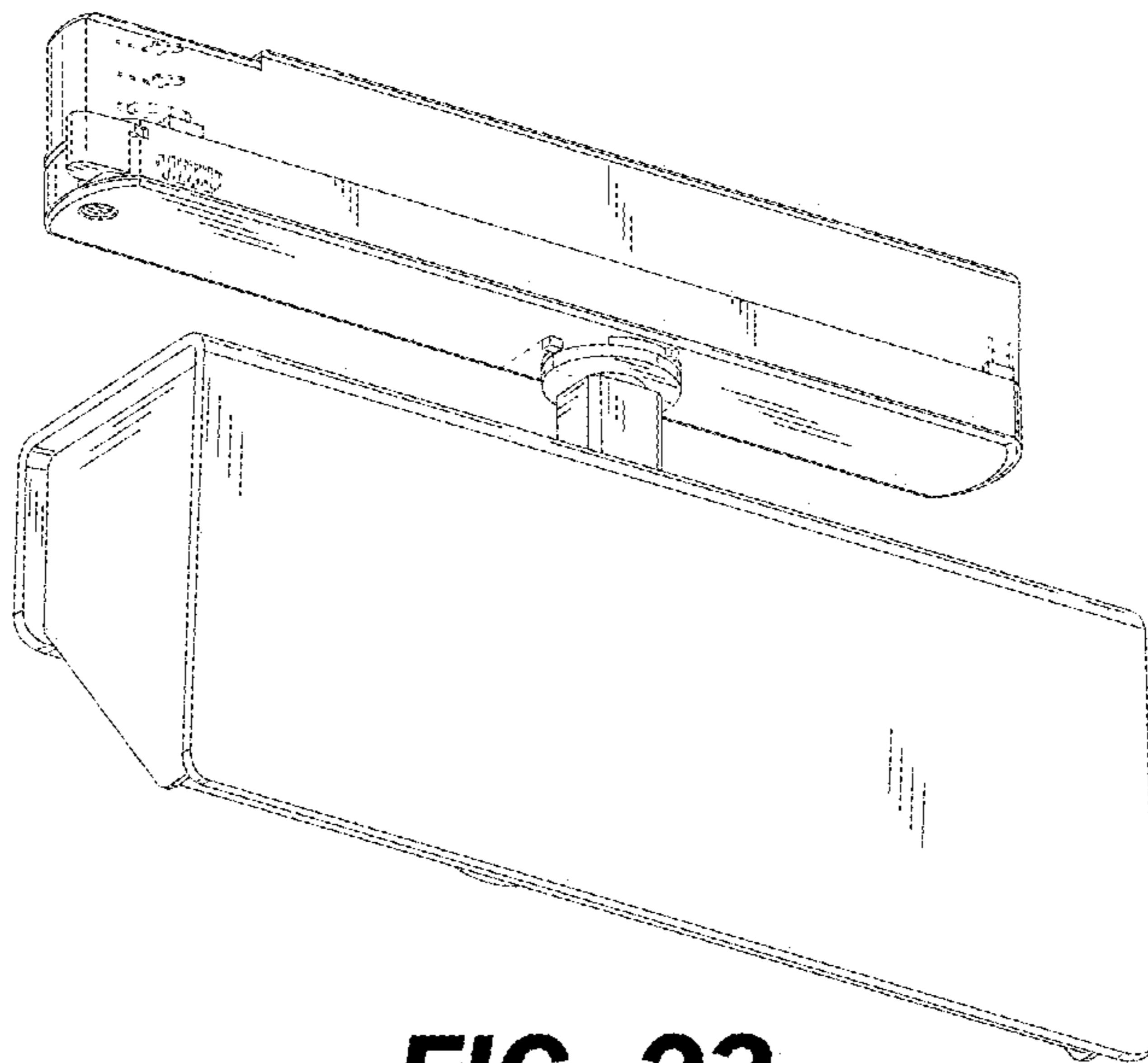


FIG. 23

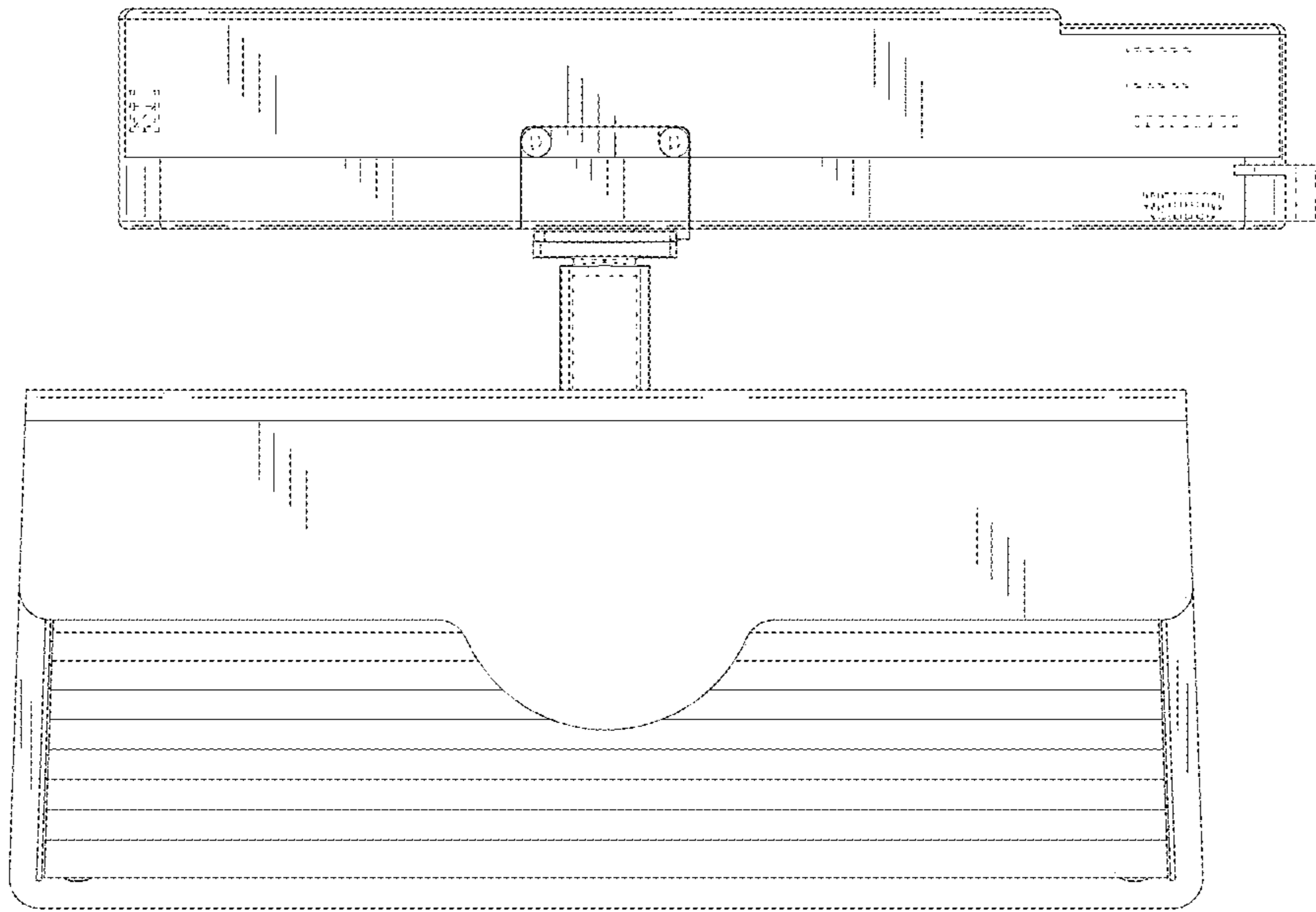


FIG. 24

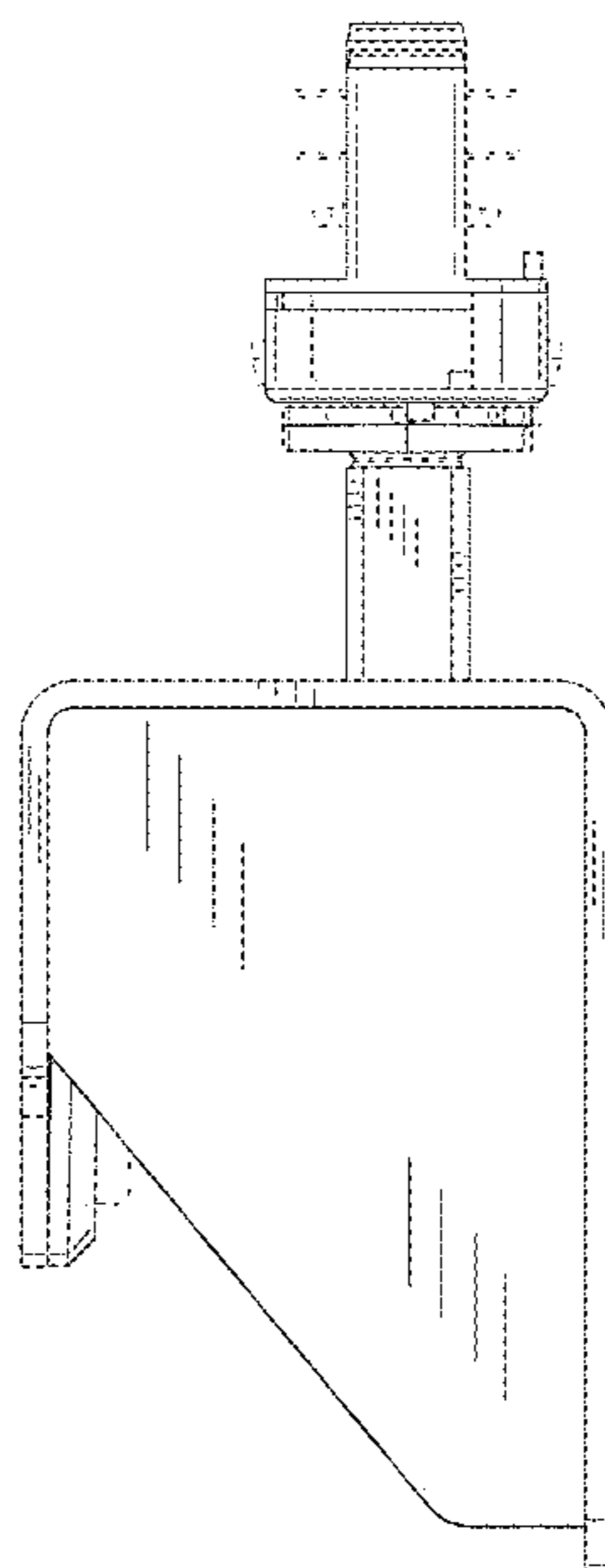


FIG. 25

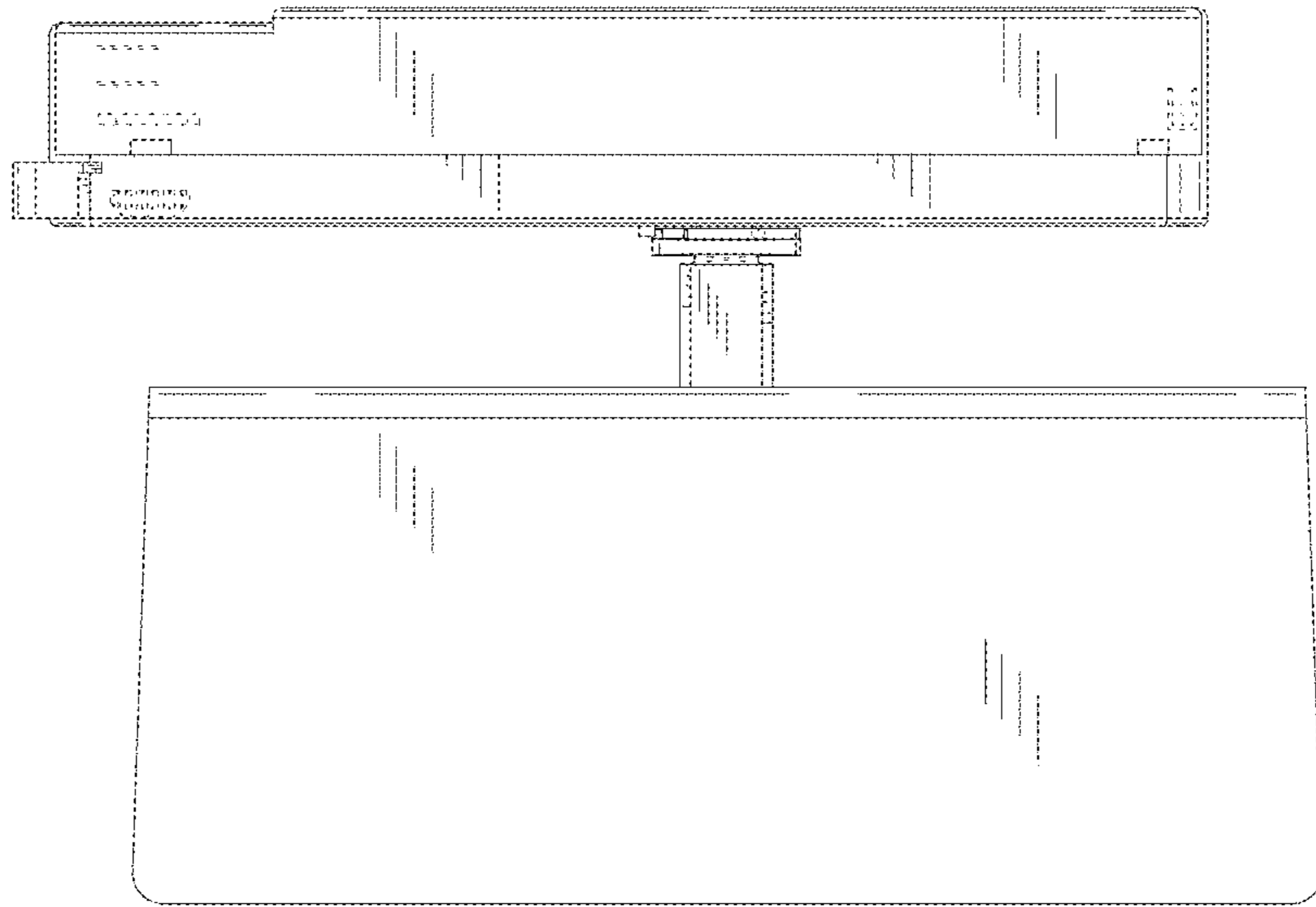


FIG. 26

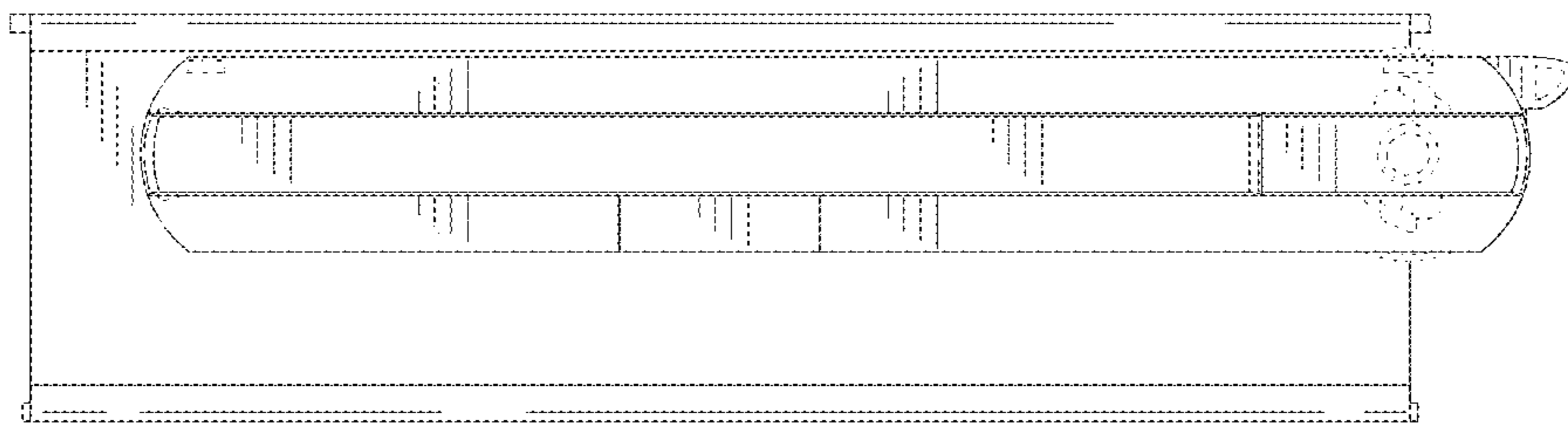


FIG. 27

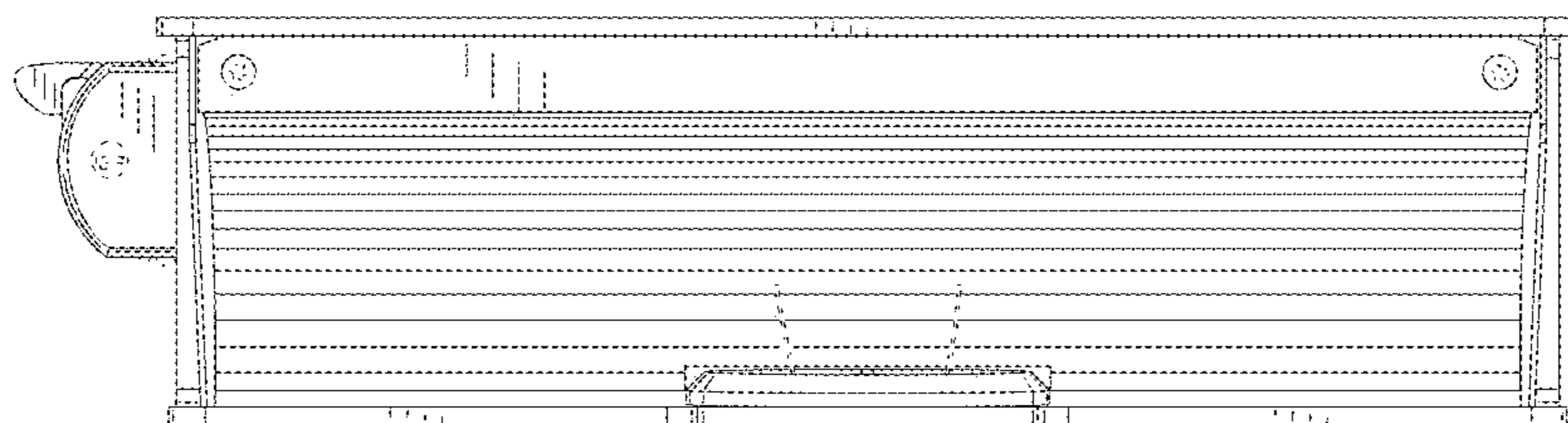


FIG. 28