



US00D932082S

(12) **United States Design Patent**  
**Zhang**

(10) **Patent No.:** **US D932,082 S**

(45) **Date of Patent:** **\*\* Sep. 28, 2021**

(54) **DOUBLE-HEAD WALL LAMP**

(71) Applicant: **Shenzhen Yuyiyuan Technology Co., Ltd.**, Shenzhen (CN)

(72) Inventor: **Donglin Zhang**, Guangdong (CN)

(\*\*) Term: **15 Years**

(21) Appl. No.: **29/719,643**

(22) Filed: **Jan. 7, 2020**

(51) **LOC (13) Cl.** ..... **26-05**

(52) **U.S. Cl.**  
USPC ..... **D26/72**

(58) **Field of Classification Search**  
USPC ..... D10/111–115; D26/24, 26, 34, 44, 51, D26/58, 60, 61, 63, 67, 72, 75, 76, 78, D26/80, 85, 87, 88, 89, 113, 118, 121, D26/135  
CPC ..... F21S 8/00; F21S 8/02; F21S 8/03; F21S 8/04; F21S 8/033; F21S 8/08; F21S 8/36; F21S 8/037; F21S 8/043; F21S 9/022; F21S 9/035; F21V 29/73; F21V 5/02  
See application file for complete search history.

(56) **References Cited**

**U.S. PATENT DOCUMENTS**

D713,582 S	*	9/2014	Liang	.....	D26/63
D742,053 S	*	10/2015	Sussman	.....	D26/63
D747,525 S	*	1/2016	Guercio	.....	D26/63
D774,231 S	*	12/2016	Recker	.....	D26/63
D791,994 S	*	7/2017	Liu	.....	D26/72
D805,672 S	*	12/2017	Dai	.....	D26/63
D810,982 S	*	2/2018	Liang	.....	D26/63
D826,445 S	*	8/2018	Cao	.....	D26/63
D843,631 S	*	3/2019	Wen	.....	D26/85

D858,845 S	*	9/2019	Zhang	.....	D26/63
D875,984 S	*	2/2020	Xiao	.....	D26/63
D882,848 S	*	4/2020	Zhang	.....	D26/63
D889,721 S	*	7/2020	Tan	.....	D26/63
D901,052 S	*	11/2020	Lao	.....	D26/51
D914,946 S	*	3/2021	Siminoff	.....	D26/63

**OTHER PUBLICATIONS**

Topmante\_Upgrade\_Solar\_Lights\_Outdoor (available online Mar. 22, 2019) Retrieved from the internet Nov. 9, 2020 from URL: [https://www.amazon.com/gp/product/B07Q11VFG6?pf\\_rd\\_r=1NS763B1RJGGYM6EQ85F&pf\\_rd\\_p=edaba0ee-c2fe-4124-9f5d-b31d6b1bfbee&pd\\_rd\\_r=1fa5c4fb-132a-4b42-adbb-9053b8607665&pd\\_\\*](https://www.amazon.com/gp/product/B07Q11VFG6?pf_rd_r=1NS763B1RJGGYM6EQ85F&pf_rd_p=edaba0ee-c2fe-4124-9f5d-b31d6b1bfbee&pd_rd_r=1fa5c4fb-132a-4b42-adbb-9053b8607665&pd_*)

\* cited by examiner

*Primary Examiner* — Kevin K Rudzinski  
*Assistant Examiner* — Richard Kearney

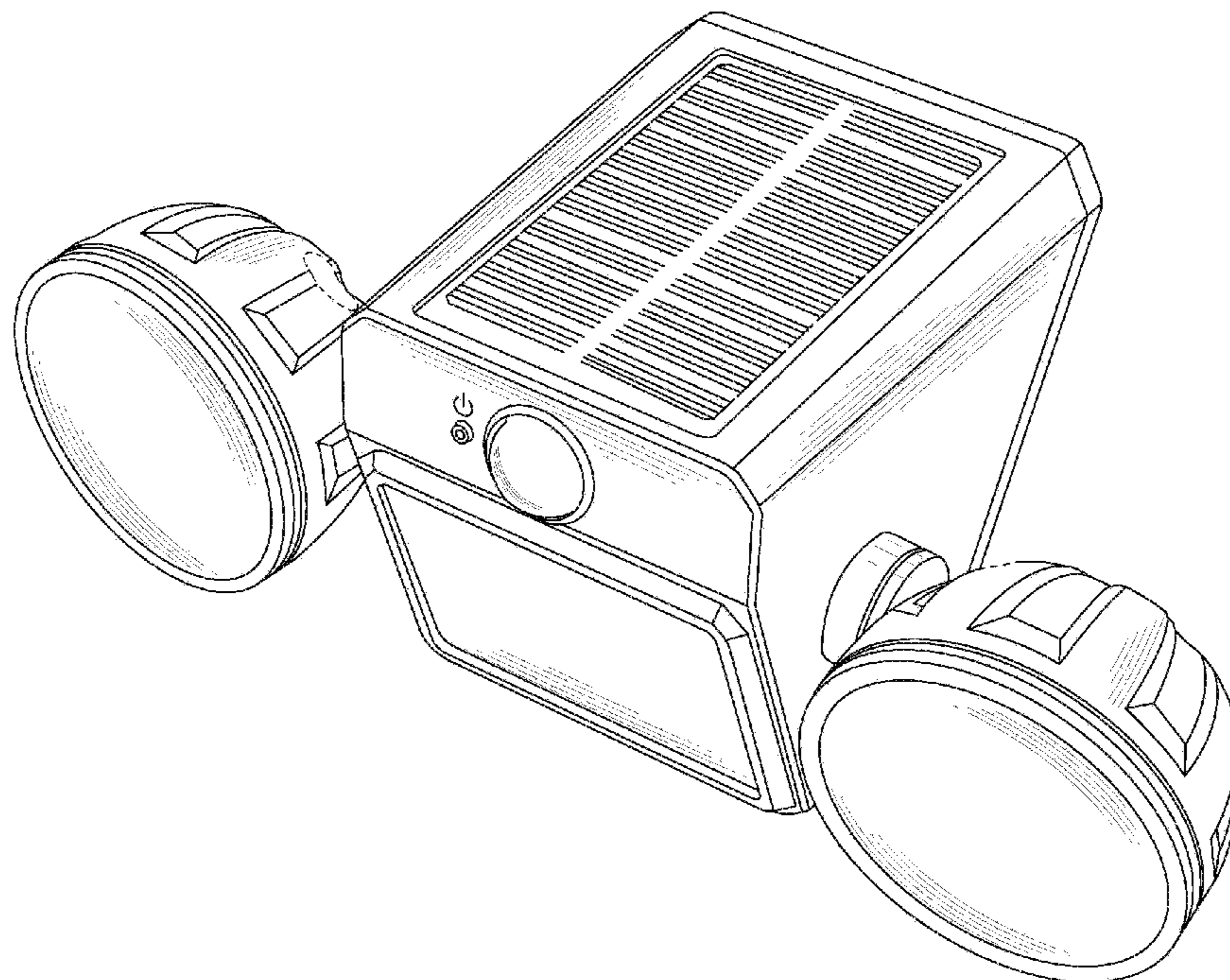
(57) **CLAIM**

I claim the ornamental design for a double-head wall lamp, as shown and described.

**DESCRIPTION**

FIG. 1 is a front elevational view of a double-head wall lamp showing my new design;  
FIG. 2 is a rear elevational view thereof;  
FIG. 3 is a left side elevational view thereof;  
FIG. 4 is a right side elevational view thereof;  
FIG. 5 is a top plan view thereof;  
FIG. 6 is a bottom plan view thereof; and,  
FIG. 7 is a perspective view thereof.  
The broken lines in the drawings depict portions of the double-head wall lamp that form no part of the claimed design.

**1 Claim, 7 Drawing Sheets**



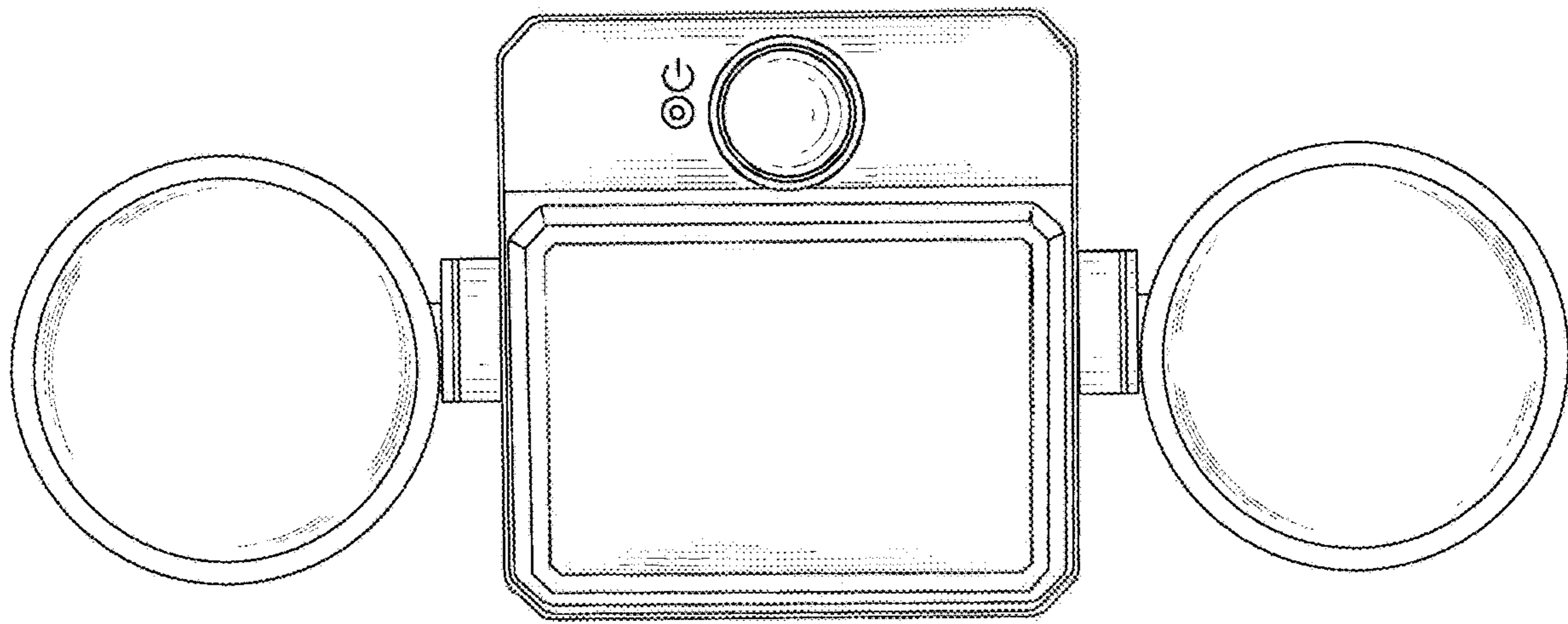


FIG. 1

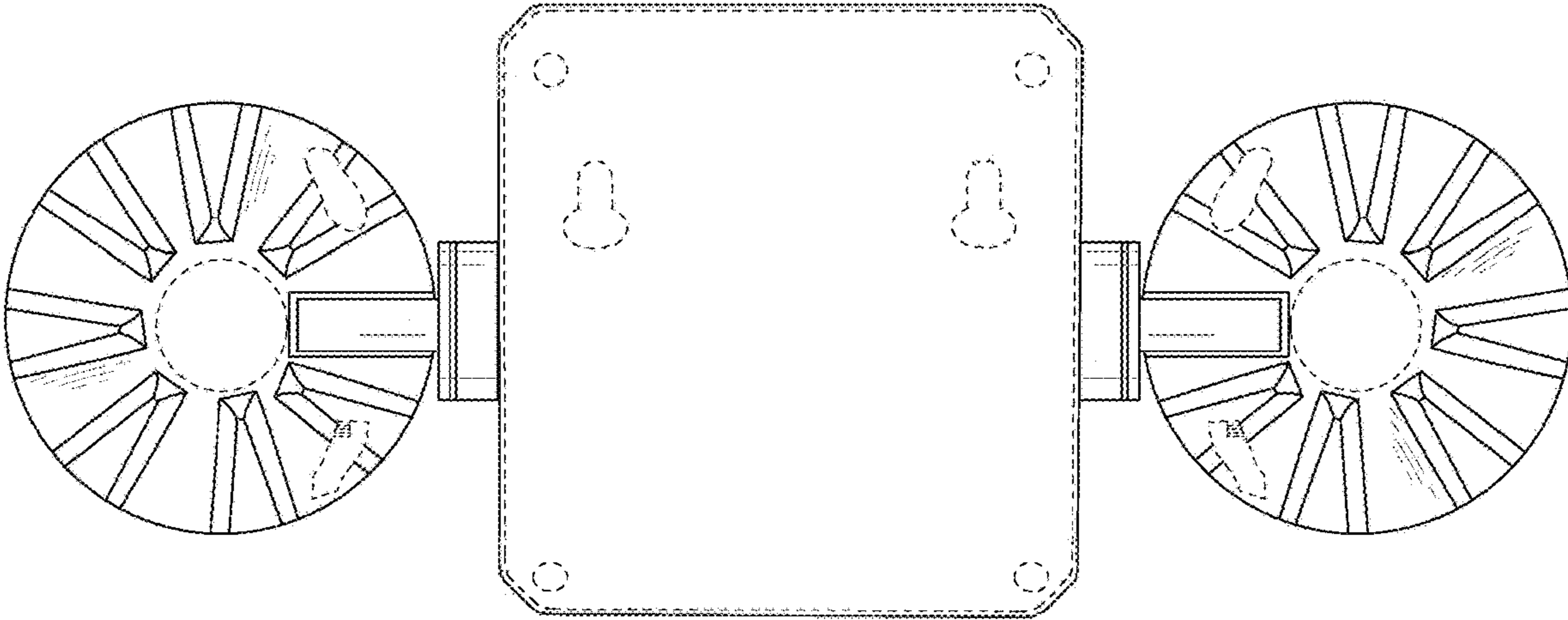


FIG. 2

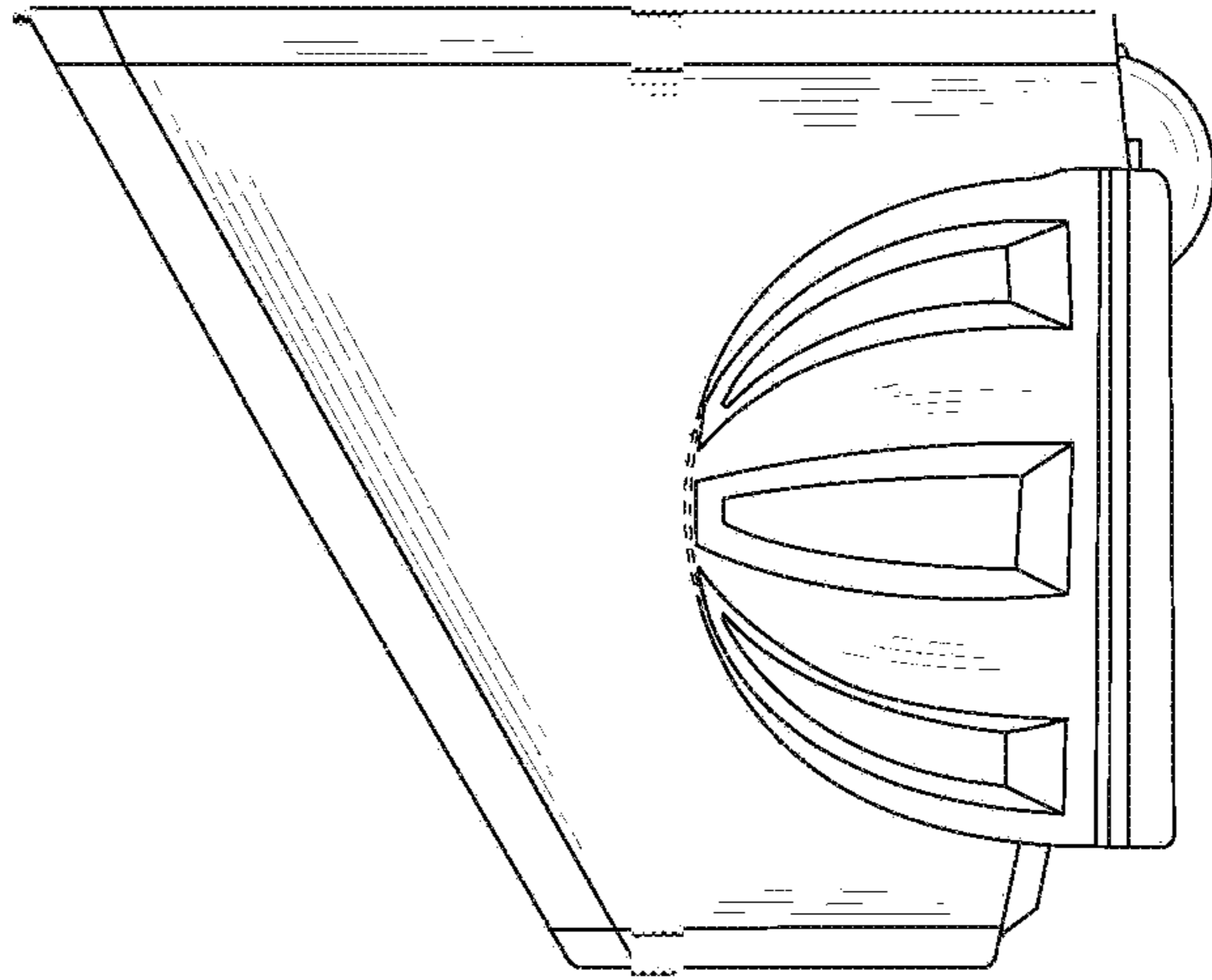


FIG. 3

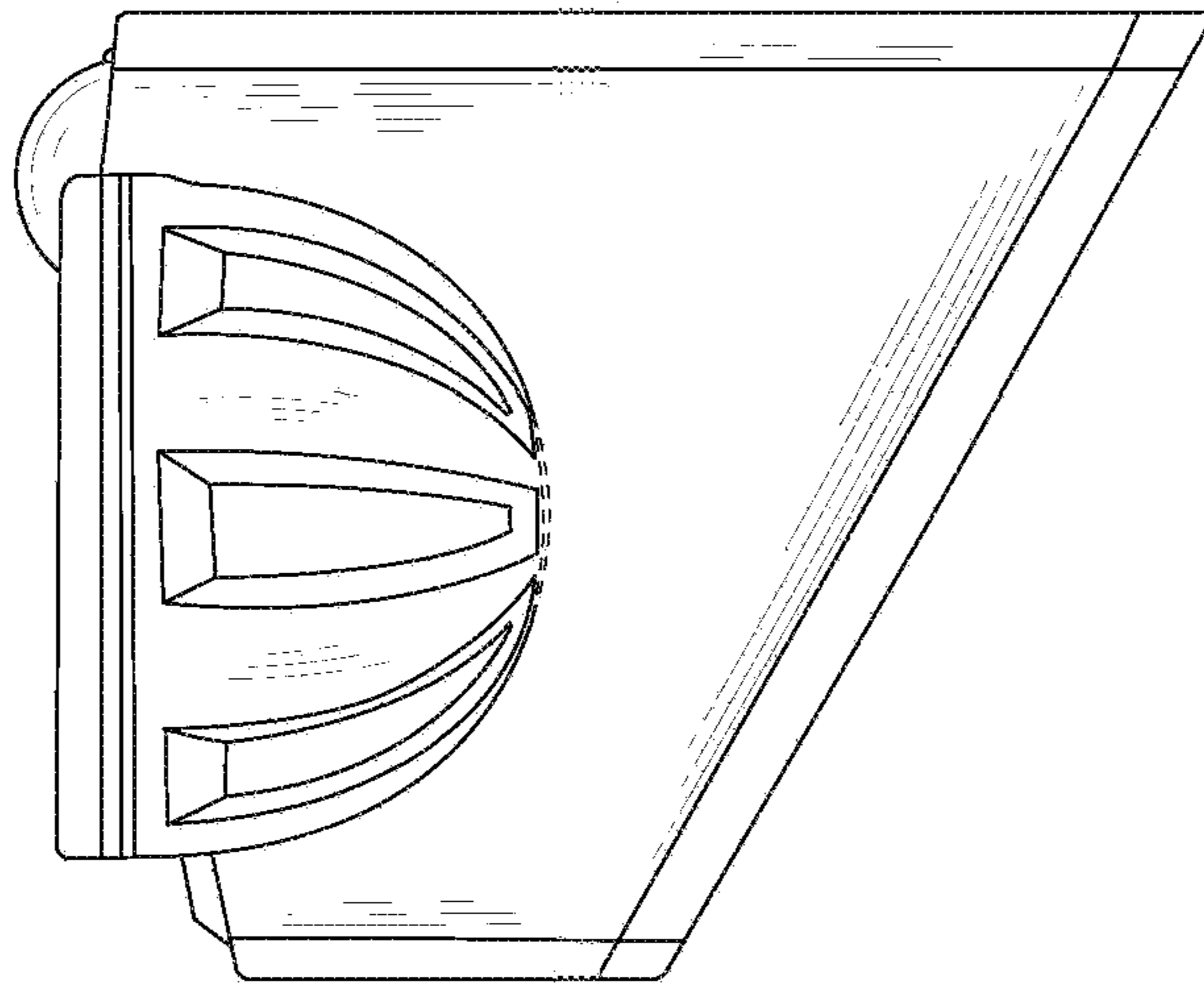


FIG. 4

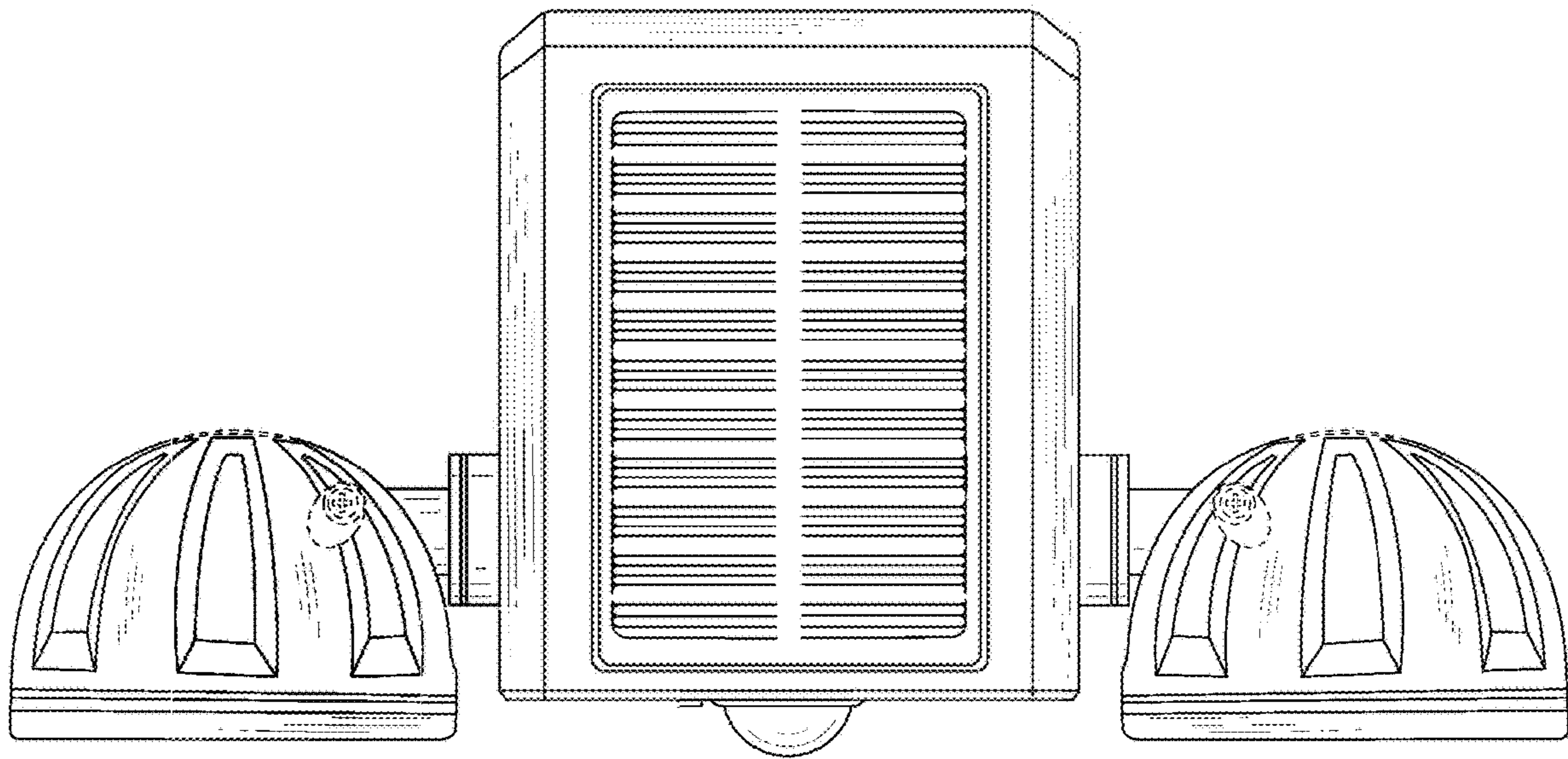


FIG. 5

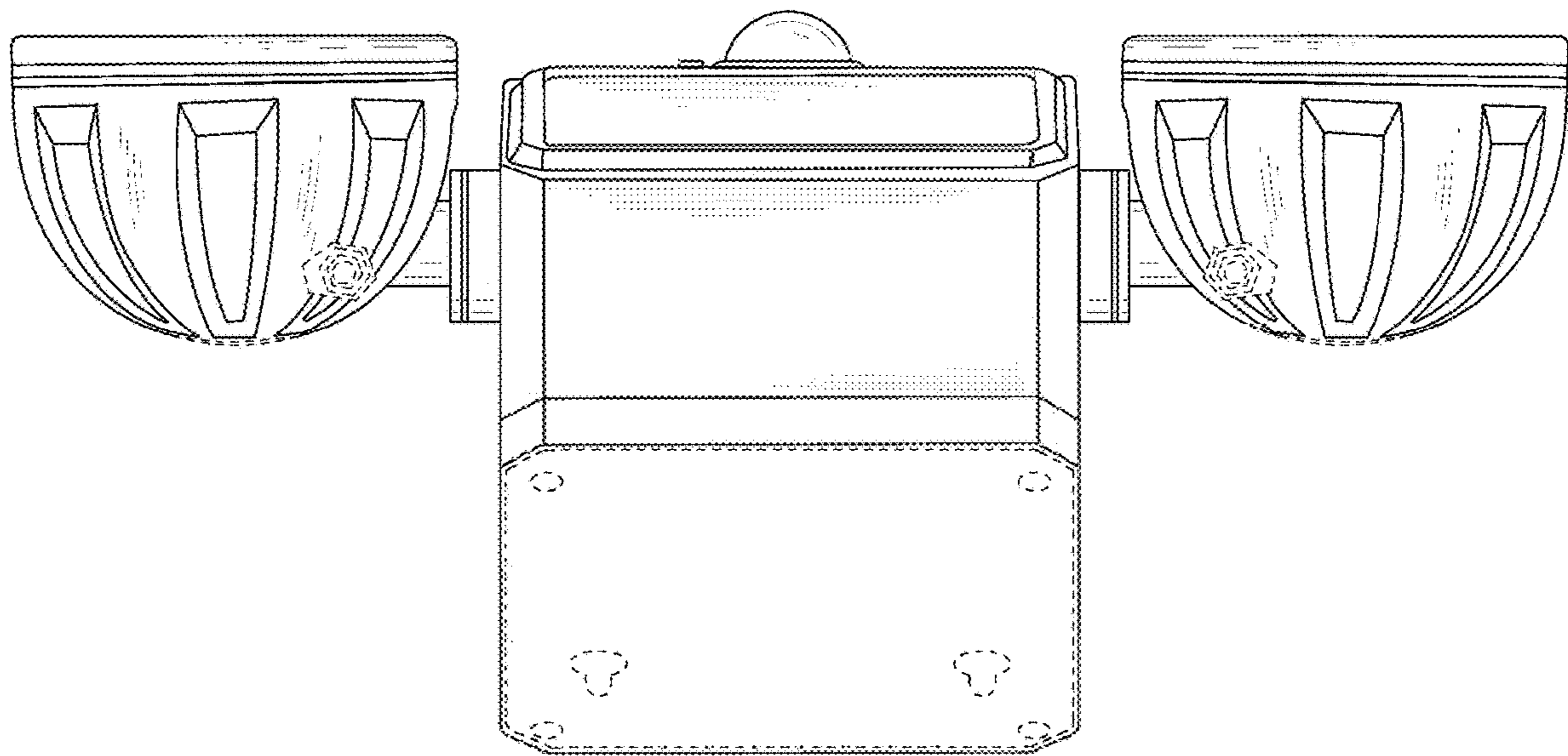


FIG. 6

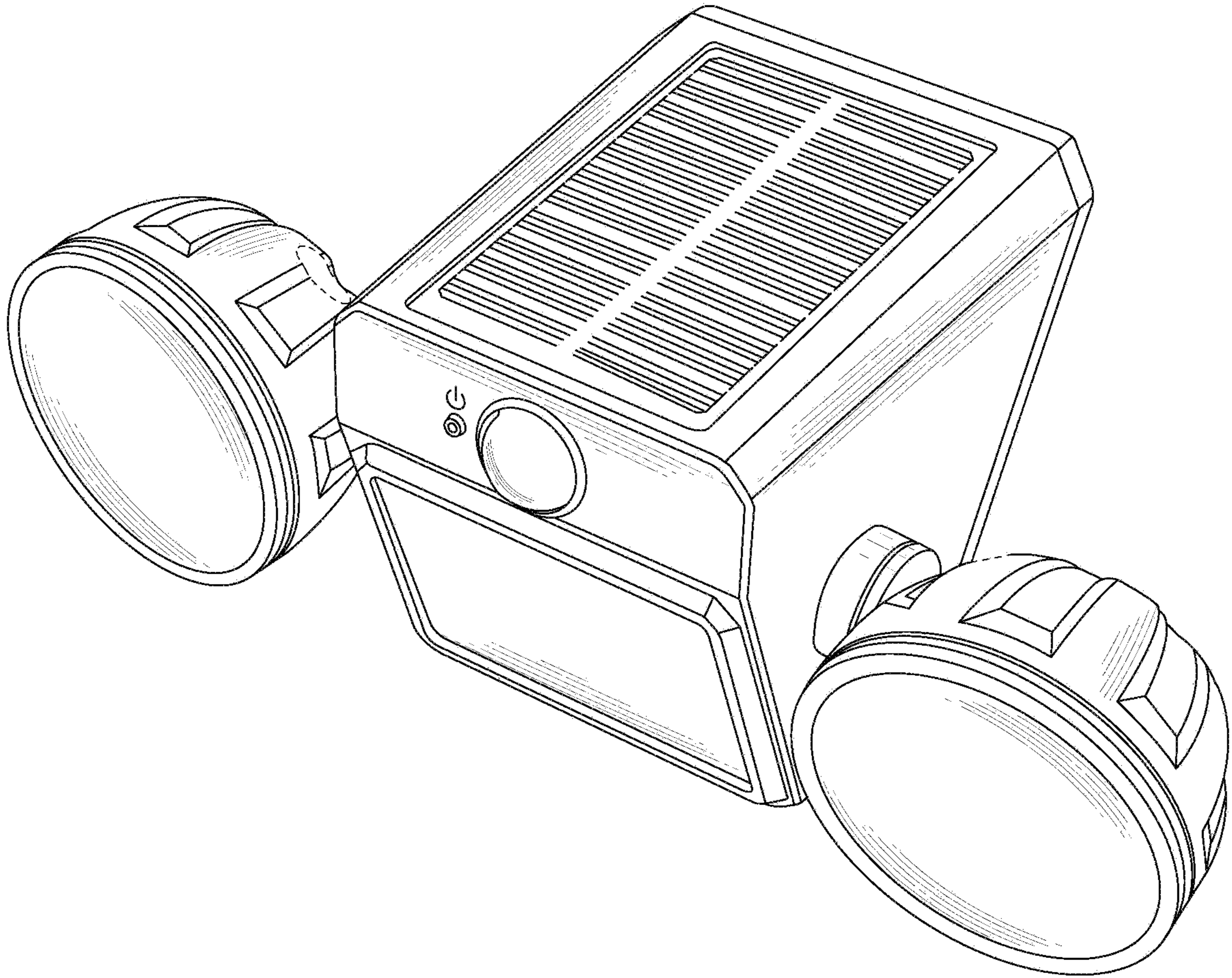


FIG. 7