



US00D932081S

(12) **United States Design Patent**  
**Wang**

(10) **Patent No.:** **US D932,081 S**

(45) **Date of Patent:** **\*\* Sep. 28, 2021**

(54) **LAMP**

(71) Applicant: **Bin Wang**, Shenzhen (CN)

(72) Inventor: **Bin Wang**, Shenzhen (CN)

(\*\*) Term: **15 Years**

(21) Appl. No.: **29/761,544**

(22) Filed: **Dec. 9, 2020**

(51) **LOC (13) Cl.** ..... **26-05**

(52) **U.S. Cl.**  
USPC ..... **D26/60; D16/250**

(58) **Field of Classification Search**  
USPC ..... D26/49, 60, 63, 72, 79, 85, 89, 92, 93,  
D26/104, 106, 111, 118, 123, 124, 138;  
D16/136, 237, 239, 244, 245, 250;  
D28/9, 15, 16, 17, 99; D14/253; D8/71,  
D8/72  
CPC ..... F21V 21/00; F21V 21/14; F21V 21/30;  
F21V 21/096; F21V 1/00; F21V 1/12;  
F21V 17/06; F21V 15/01; F21V 14/00;  
F21V 14/02; G03B 2215/0575; G03B  
2215/0539; G03B 2215/0592; G03B  
2215/0589; G03B 15/03; G03B 15/05;  
A45F 2200/0508-0533; F21K 5/00; F21K  
5/02; F21S 8/003; F21S 8/043  
See application file for complete search history.

(56) **References Cited**

**U.S. PATENT DOCUMENTS**

D250,968 S *	1/1979	Combest	.....	D26/152
D364,241 S *	11/1995	Jaynes	.....	D26/106
D580,580 S *	11/2008	Lodhie	.....	D26/67
D611,178 S *	3/2010	Waring	.....	D26/34
D617,035 S *	6/2010	Sabernig	.....	D26/89
D636,513 S *	4/2011	Furtsch	.....	D26/51
D666,764 S *	9/2012	Gilad	.....	D26/87

D712,073 S *	8/2014	Hirabayashi	.....	D26/2
D827,180 S *	8/2018	Mou	.....	D26/72
D829,355 S *	9/2018	Li	.....	
D854,227 S *	7/2019	Yu	.....	D26/106
D855,242 S *	7/2019	Chen	.....	D26/106
D860,485 S *	9/2019	Yu	.....	D26/24
D872,348 S *	1/2020	Liu	.....	D26/106
D877,392 S *	3/2020	Yu	.....	
D895,877 S *	9/2020	Kaiser	.....	D26/72
D907,836 S *	1/2021	Zhou	.....	D26/106
D909,649 S *	2/2021	Chu	.....	D26/63
D910,220 S *	2/2021	Wang	.....	D26/63
D910,221 S *	2/2021	Wang	.....	D26/63
D924,454 S *	7/2021	Xiong	.....	D26/51
2016/0069548 A1 *	3/2016	Wessel	.....	F21S 9/02 362/183
2017/0118385 A1 *	4/2017	Vargas	.....	G03B 17/561
2019/0003699 A1 *	1/2019	Mondora	.....	F21V 33/004
2020/0281054 A1 *	9/2020	Li	.....	H05B 45/10
2021/0180783 A1 *	6/2021	Frydenger	.....	F21V 23/003

\* cited by examiner

*Primary Examiner* — Wan Laymon  
*Assistant Examiner* — Clint A Samuel

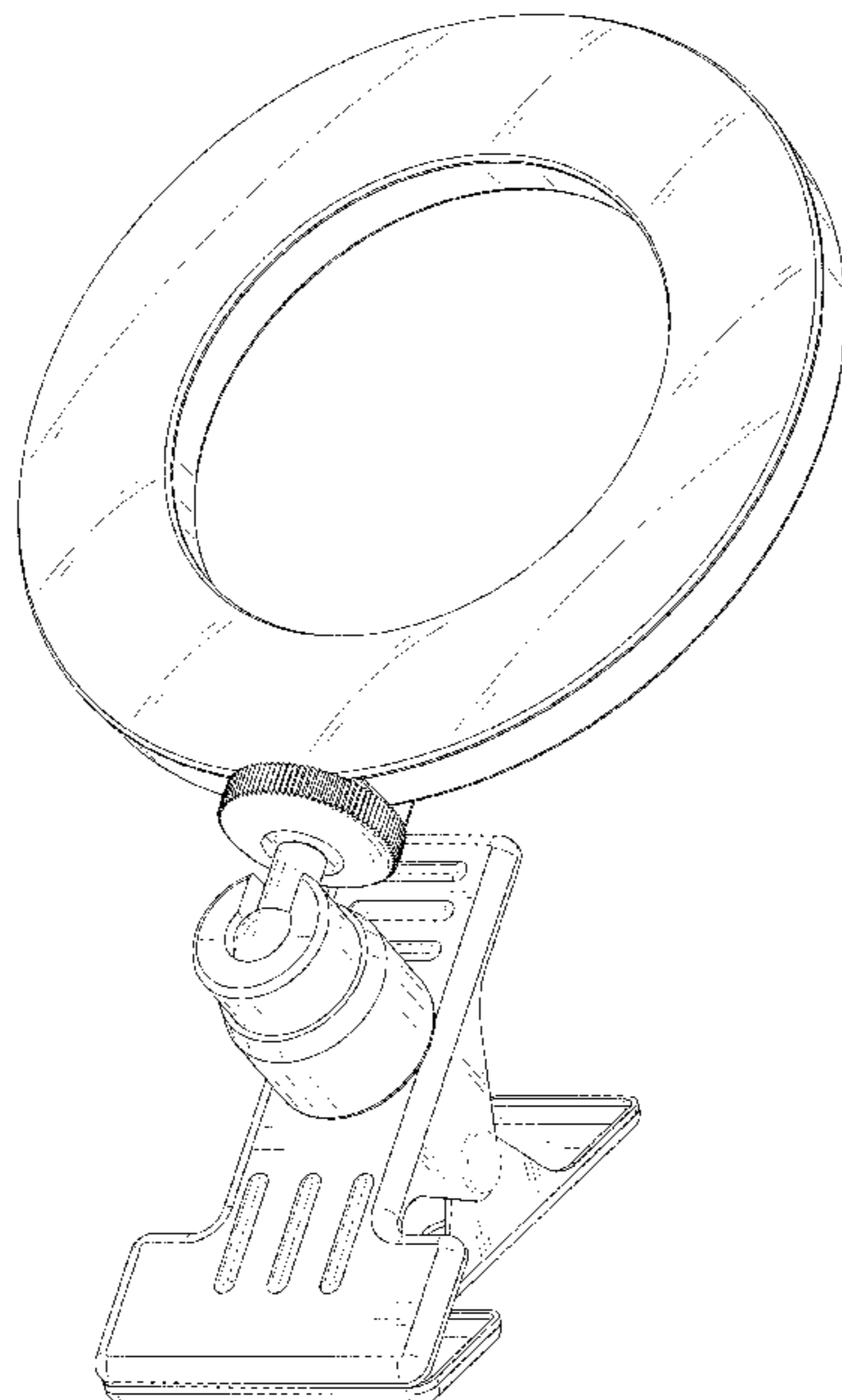
(57) **CLAIM**

The ornamental design for a lamp, as shown and described.

**DESCRIPTION**

FIG. 1 is a perspective view of a lamp showing my new design;  
FIG. 2 is another perspective view thereof;  
FIG. 3 is a front elevational view thereof;  
FIG. 4 is a rear elevational view thereof;  
FIG. 5 is a left side elevational view thereof;  
FIG. 6 is a right side elevational view thereof;  
FIG. 7 is a top plan view thereof; and,  
FIG. 8 is a bottom plan view thereof.  
The broken lines in the drawings depict portions of the lamp that form no part of the claimed design.

**1 Claim, 8 Drawing Sheets**



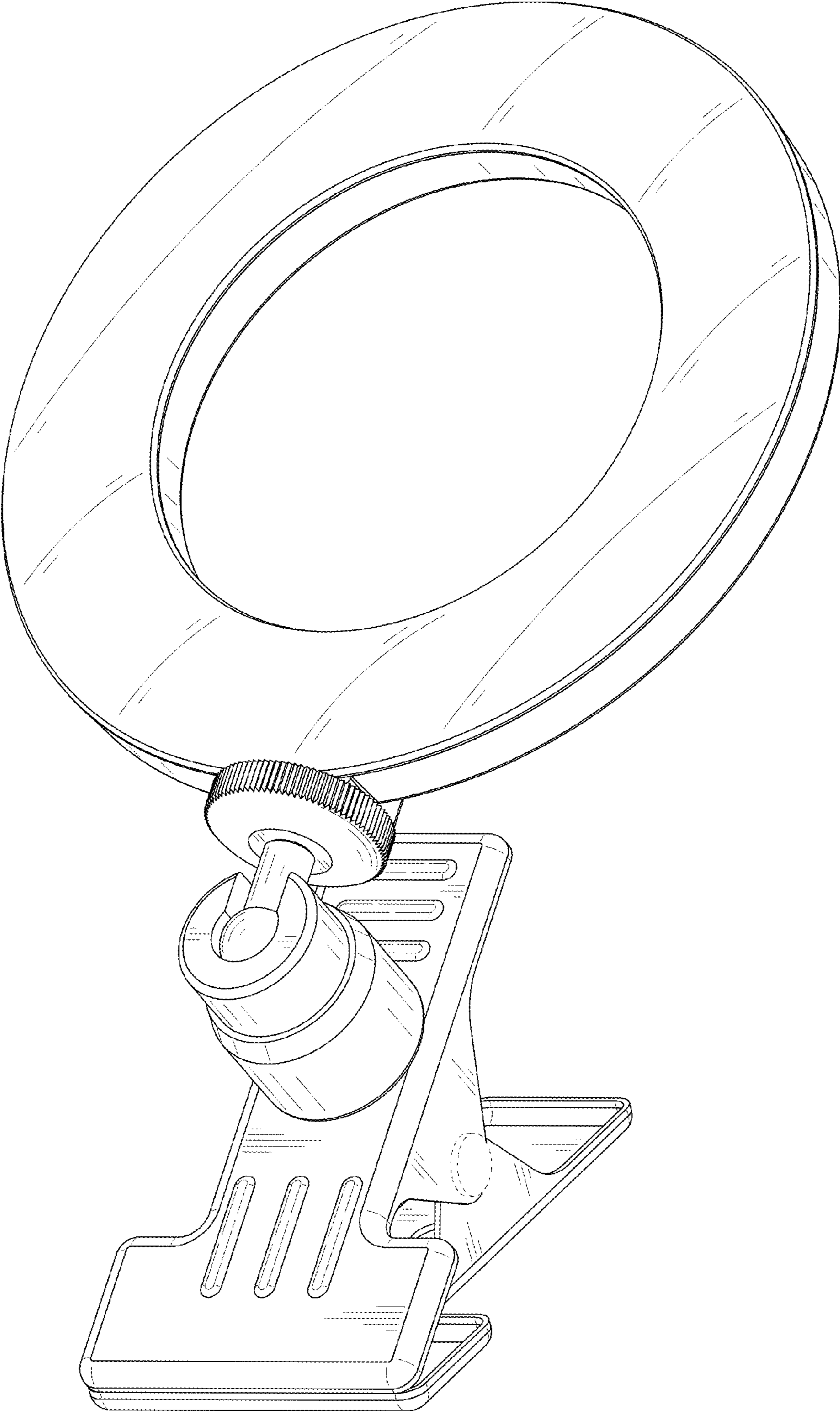


FIG. 1

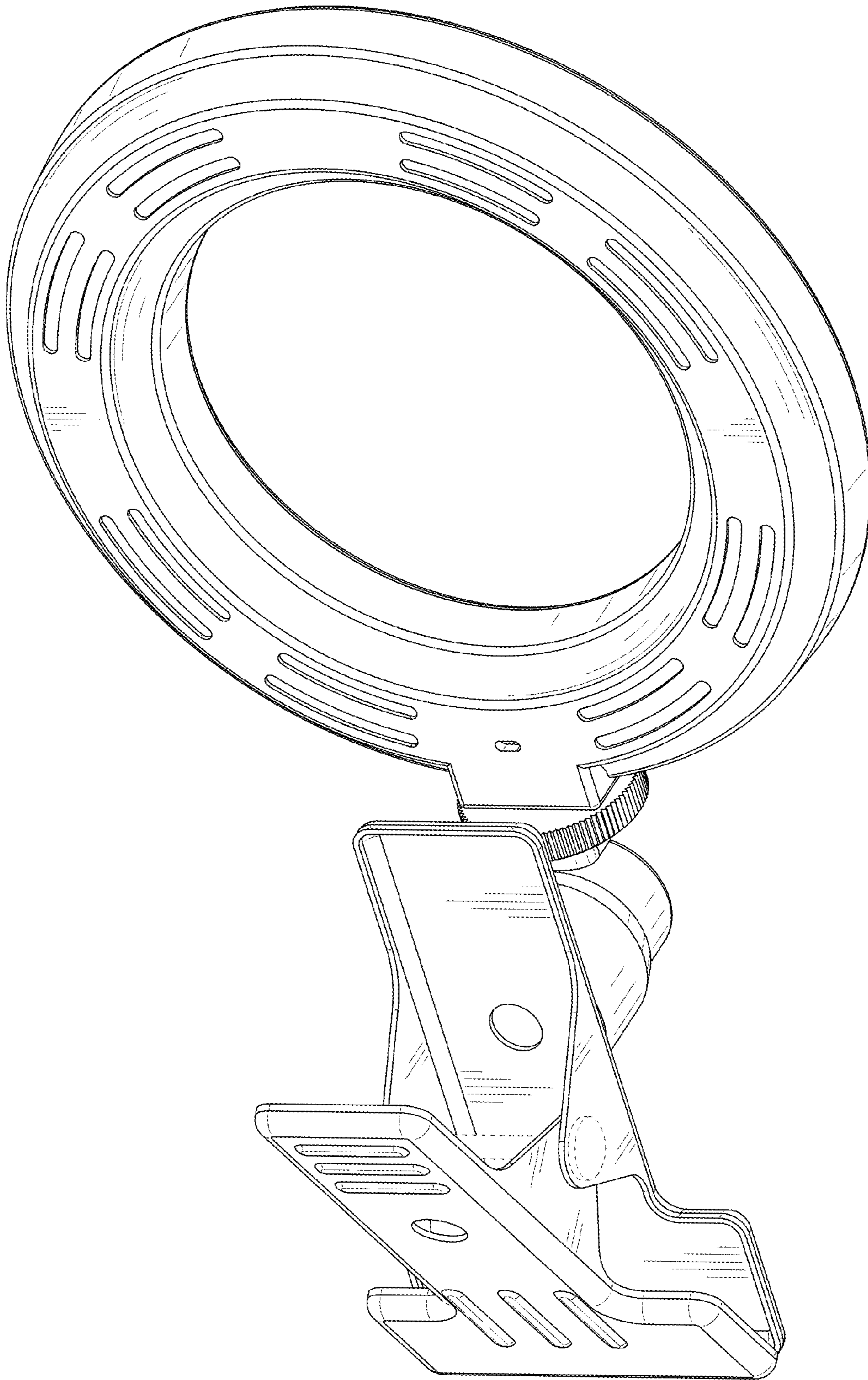


FIG. 2

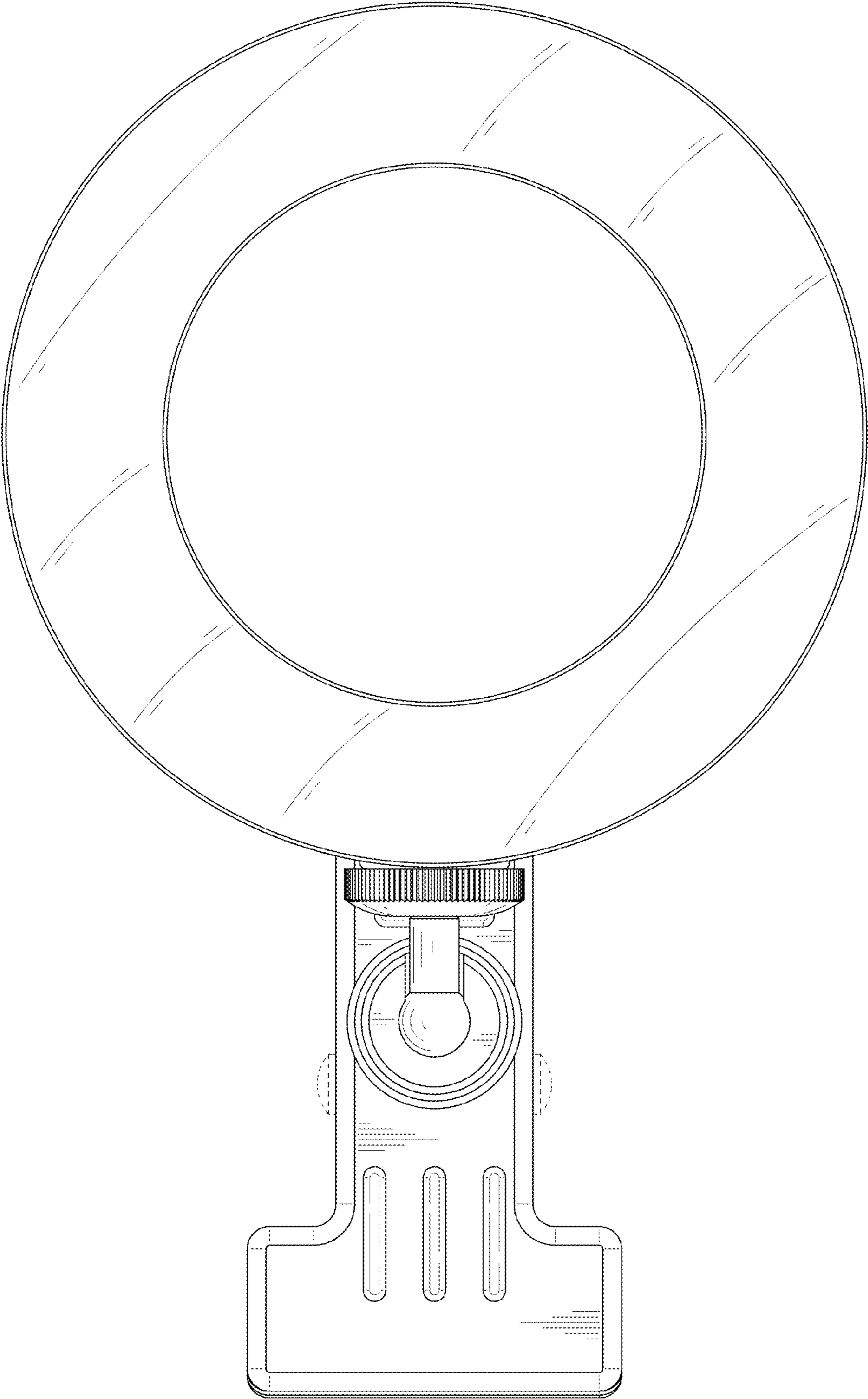


FIG. 3

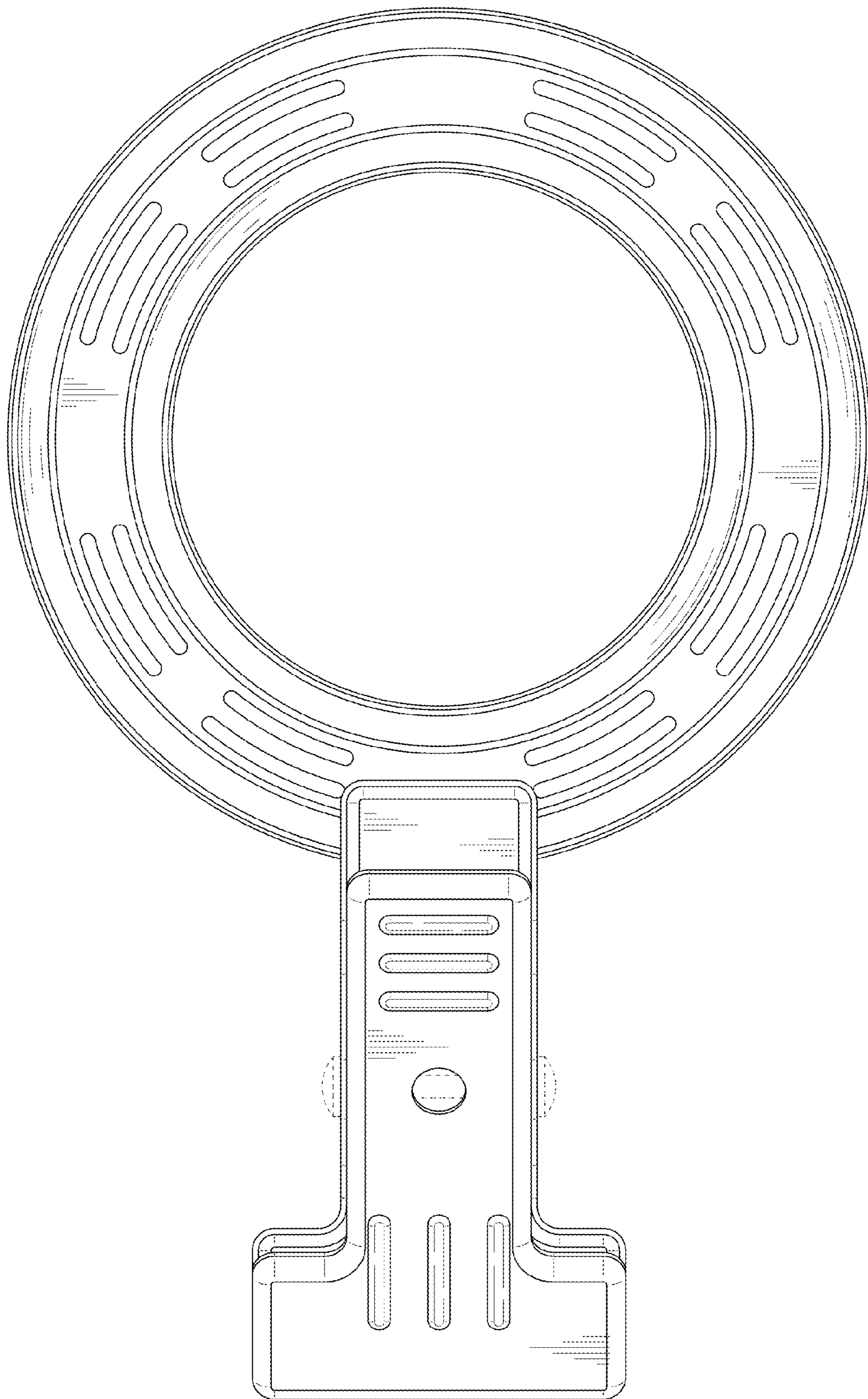


FIG. 4

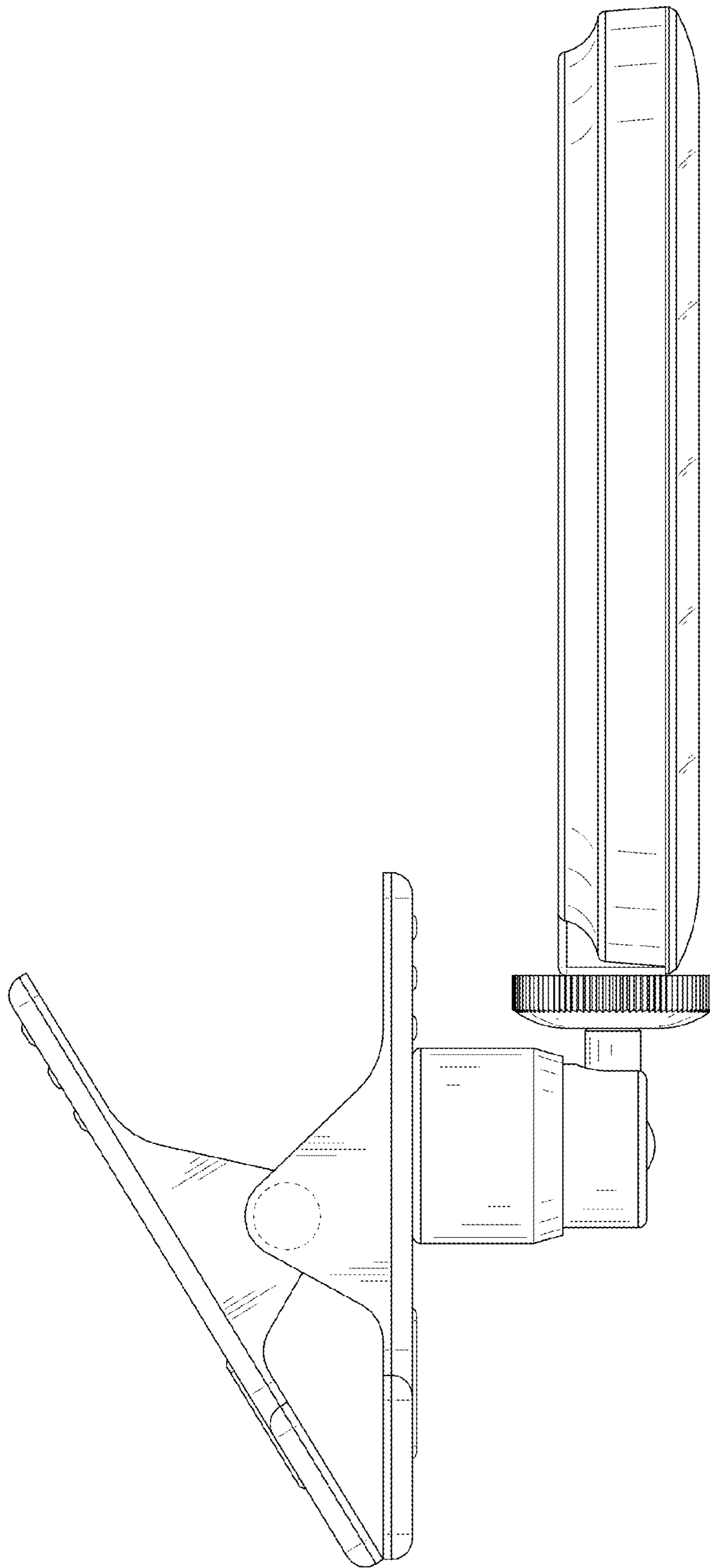


FIG. 5

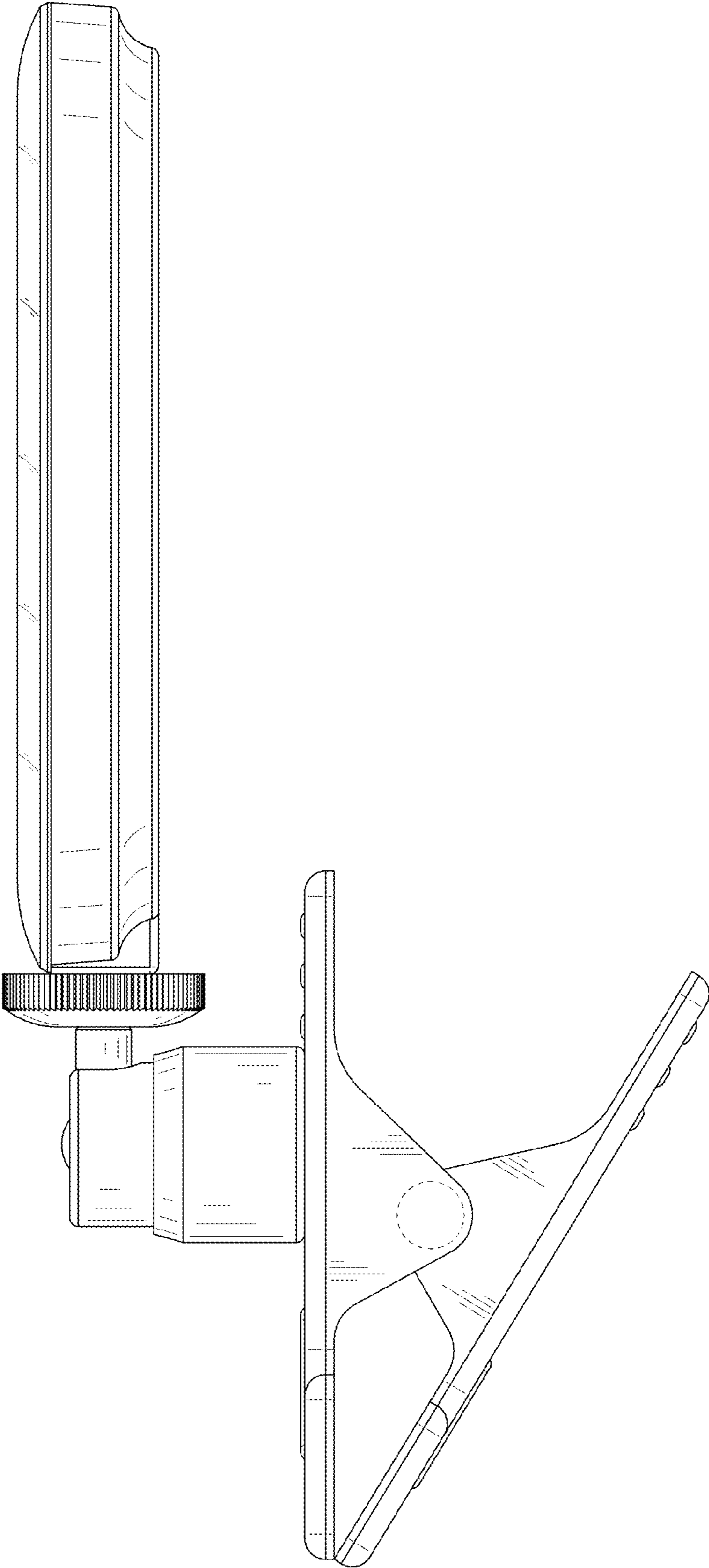


FIG. 6

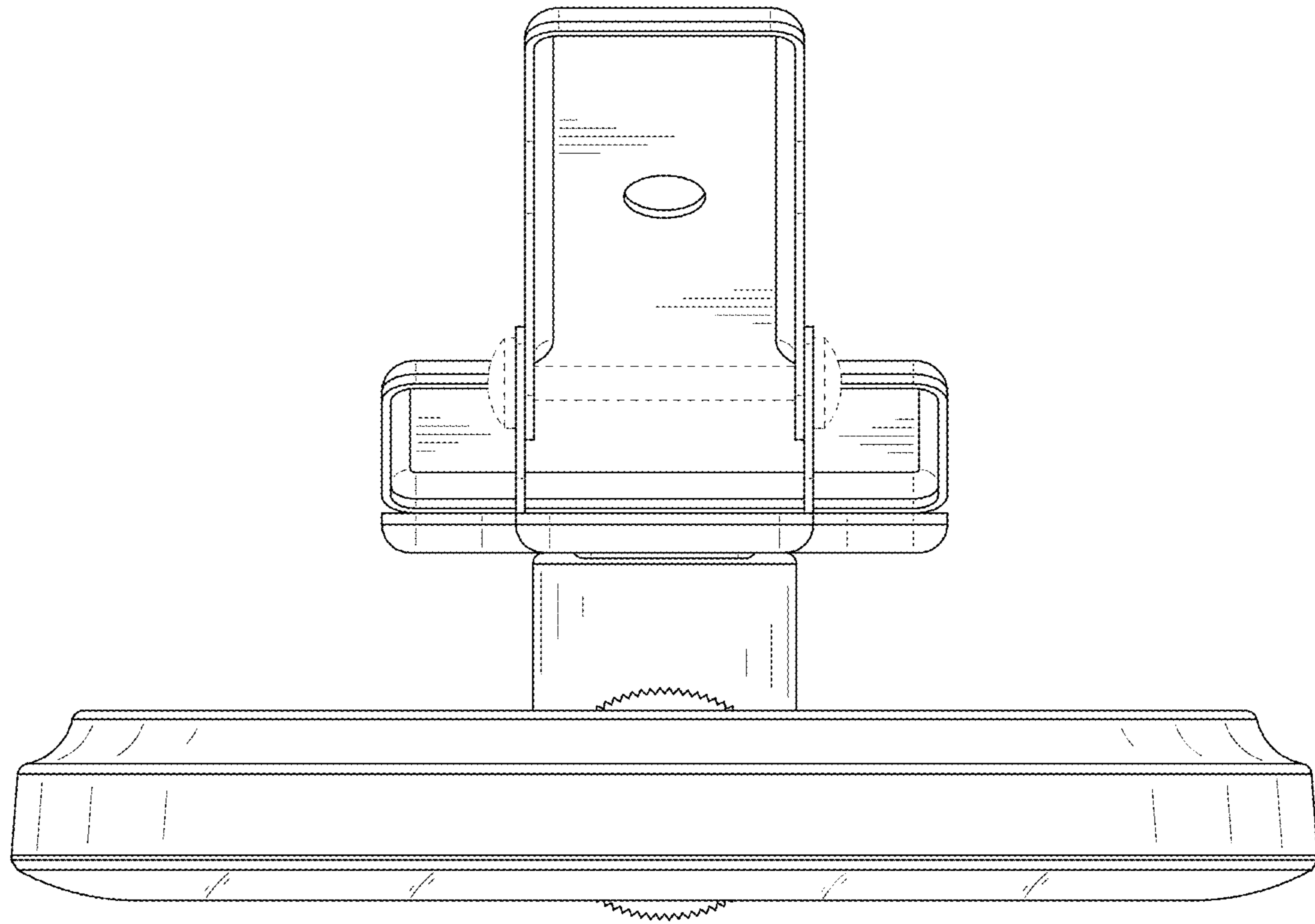


FIG. 7



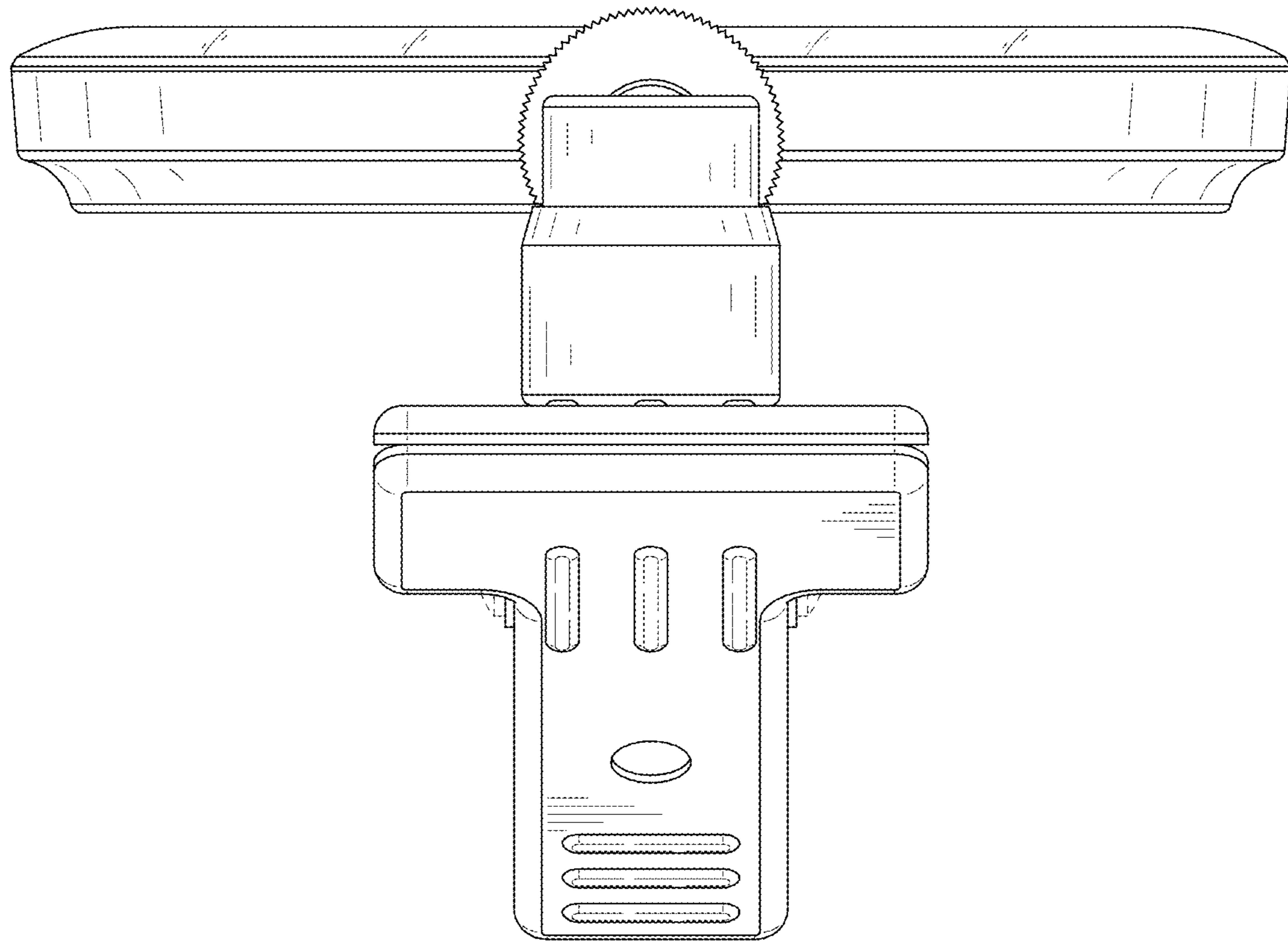


FIG. 8