



US00D932080S

(12) **United States Design Patent**
Wang

(10) **Patent No.:** **US D932,080 S**

(45) **Date of Patent:** **** Sep. 28, 2021**

(54) **LAMP**

(71) Applicant: **Bin Wang**, Shenzhen (CN)

(72) Inventor: **Bin Wang**, Shenzhen (CN)

(**) Term: **15 Years**

(21) Appl. No.: **29/761,535**

(22) Filed: **Dec. 9, 2020**

(51) **LOC (13) Cl.** **26-05**

(52) **U.S. Cl.**
USPC **D26/60; D16/250**

(58) **Field of Classification Search**

USPC D26/49, 60, 63, 72, 79, 85, 89, 92, 93,
D26/104, 106, 111, 118, 123, 124, 138;
D16/136, 237, 239, 244, 245, 250;
D28/9, 15, 16, 17, 99; D14/253; D8/71,
D8/72

CPC F21V 21/00; F21V 21/14; F21V 21/30;
F21V 21/096; F21V 1/00; F21V 1/12;
F21V 17/06; F21V 15/01; F21V 14/00;
F21V 14/02; G03B 2215/0575; G03B
2215/0539; G03B 2215/0592; G03B
2215/0589; G03B 15/03; G03B 15/05;
A45F 2200/0508-0533; F21K 5/00; F21K
5/02; F21S 8/003; F21S 8/043

See application file for complete search history.

(56) **References Cited**

U.S. PATENT DOCUMENTS

D320,466 S * 10/1991 Muzquiz D26/60
D803,449 S * 11/2017 Xu D26/63
D851,311 S 6/2019 Fan
D877,392 S 3/2020 Yu
D884,243 S * 5/2020 Li D26/63

D918,453 S * 5/2021 Rang D26/63
D921,260 S * 6/2021 Ke D26/65
D923,227 S * 6/2021 Ko D26/63
2019/0182418 A1* 6/2019 Lai H04N 5/222
2021/0195715 A1* 6/2021 Kowalenko H05B 45/20
2021/0203816 A1* 7/2021 Machii G03B 17/02

* cited by examiner

Primary Examiner — Wan Laymon

Assistant Examiner — Clint A Samuel

(57) **CLAIM**

The ornamental design for a lamp, as shown and described.

DESCRIPTION

FIG. 1 is a perspective view of a first embodiment of a lamp showing my new design;

FIG. 2 is another perspective view thereof;

FIG. 3 is a front elevational view thereof;

FIG. 4 is a rear elevational view thereof;

FIG. 5 is a left side elevational view thereof;

FIG. 6 is a right side elevational view thereof;

FIG. 7 is a top plan view thereof;

FIG. 8 is a bottom plan view thereof;

FIG. 9 is a perspective view of a second embodiment of the lamp showing my new design;

FIG. 10 is another perspective view thereof;

FIG. 11 is a front elevational view thereof;

FIG. 12 is a rear elevational view thereof;

FIG. 13 is a left side elevational view thereof;

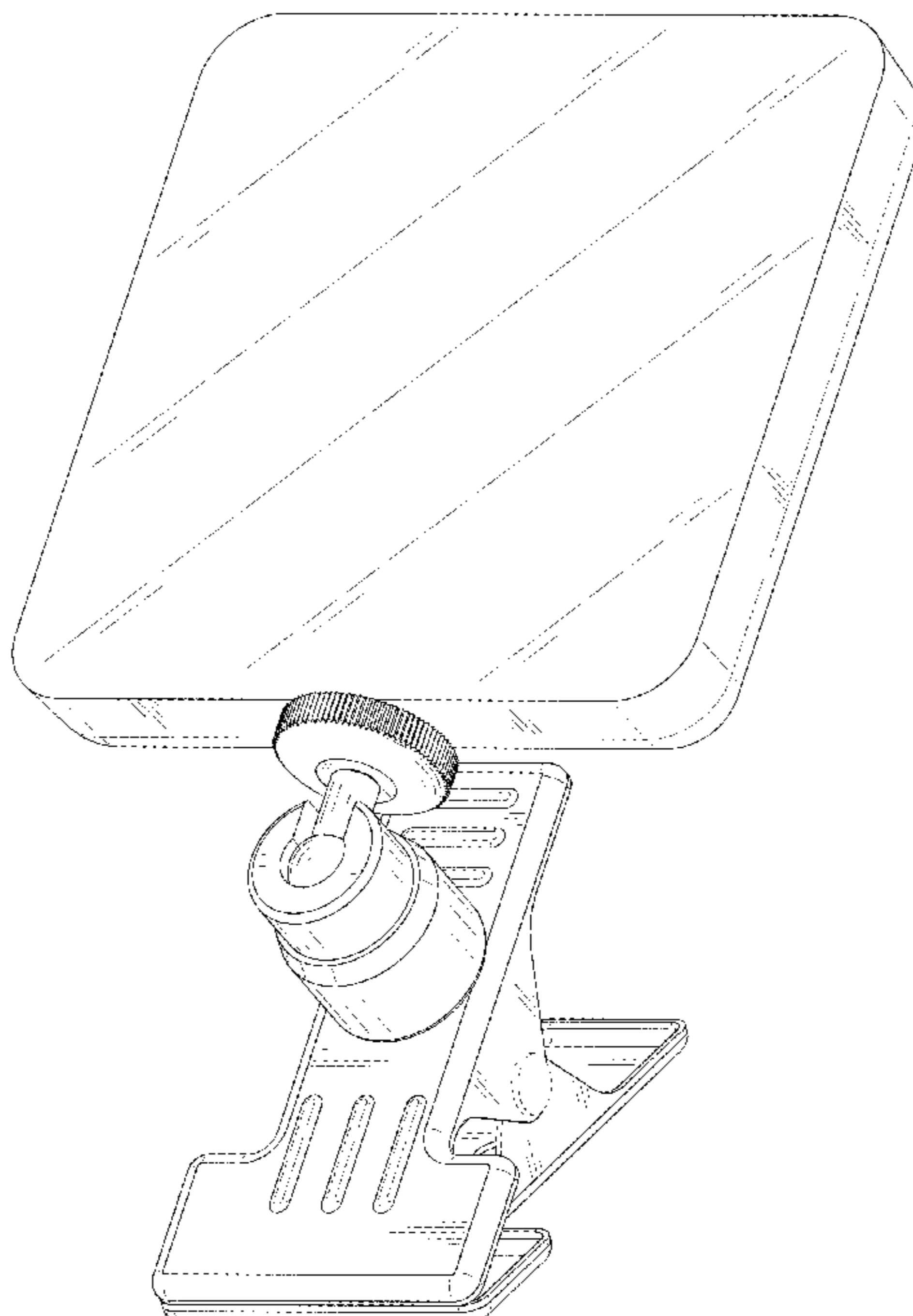
FIG. 14 is a right side elevational view thereof;

FIG. 15 is a top plan view thereof; and,

FIG. 16 is a bottom plan view thereof;

The broken lines shown in drawings are included for the purpose of illustrating portions of the lamp, and form no part of the claimed design.

1 Claim, 16 Drawing Sheets



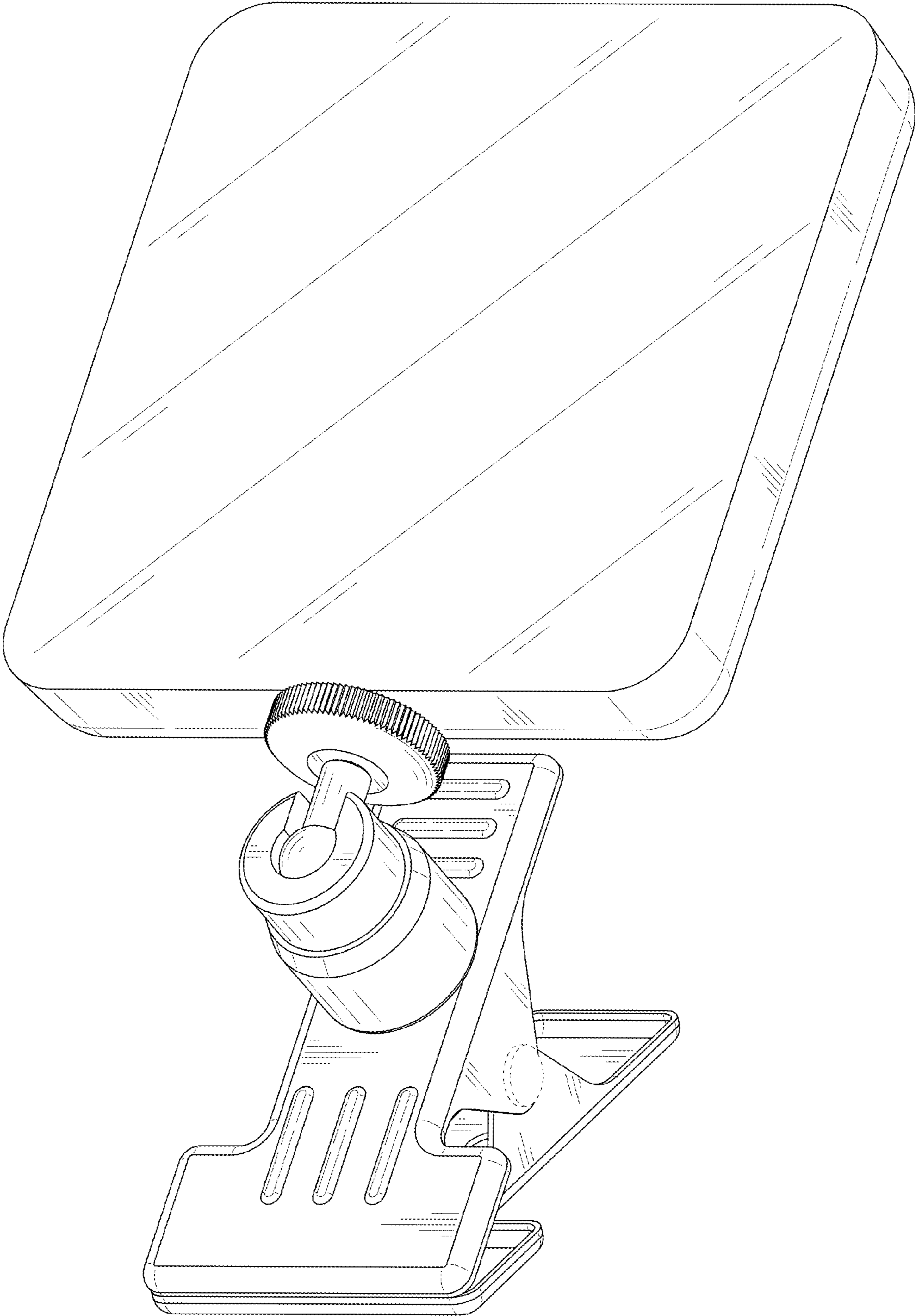


FIG. 1

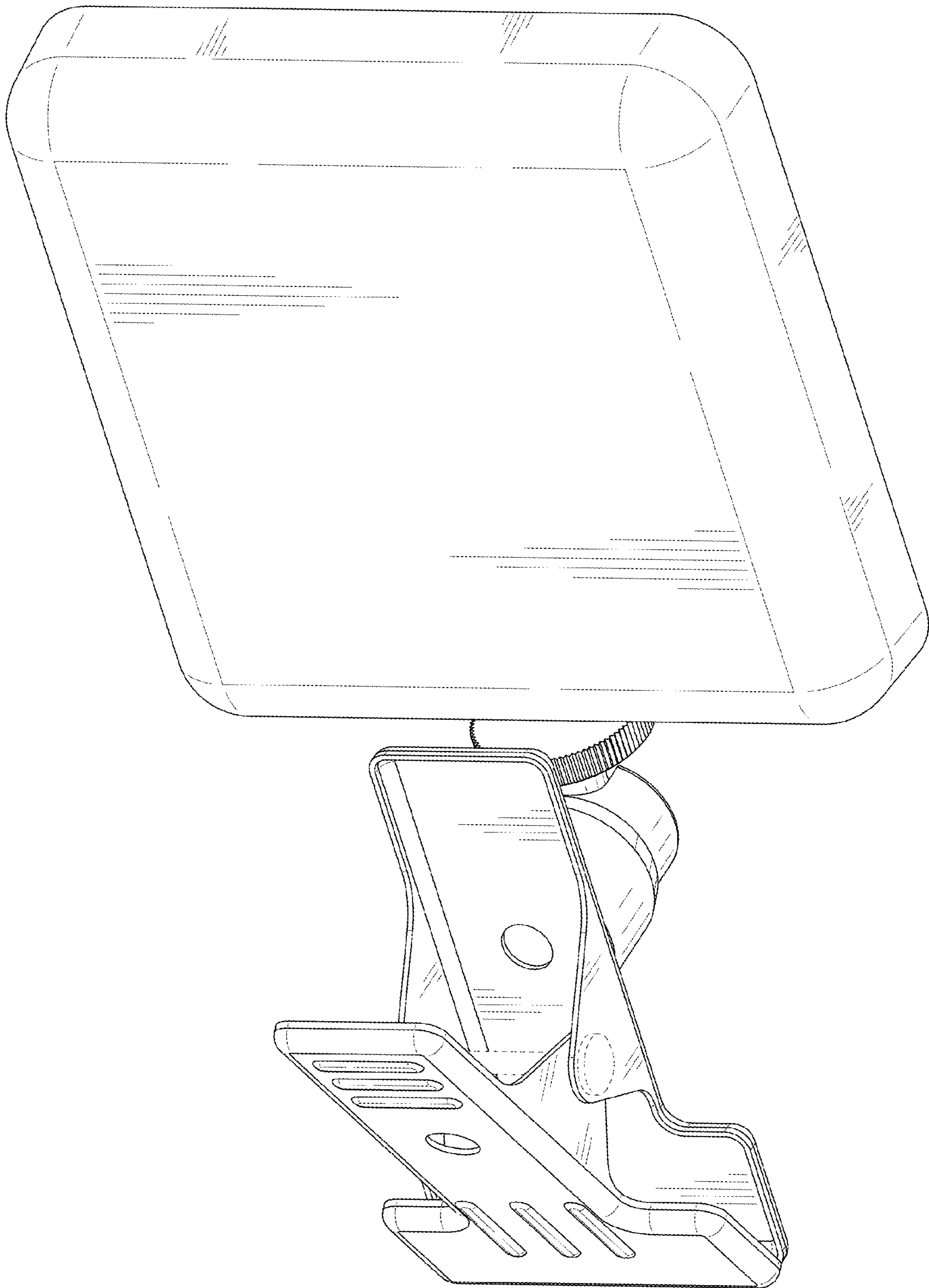


FIG. 2

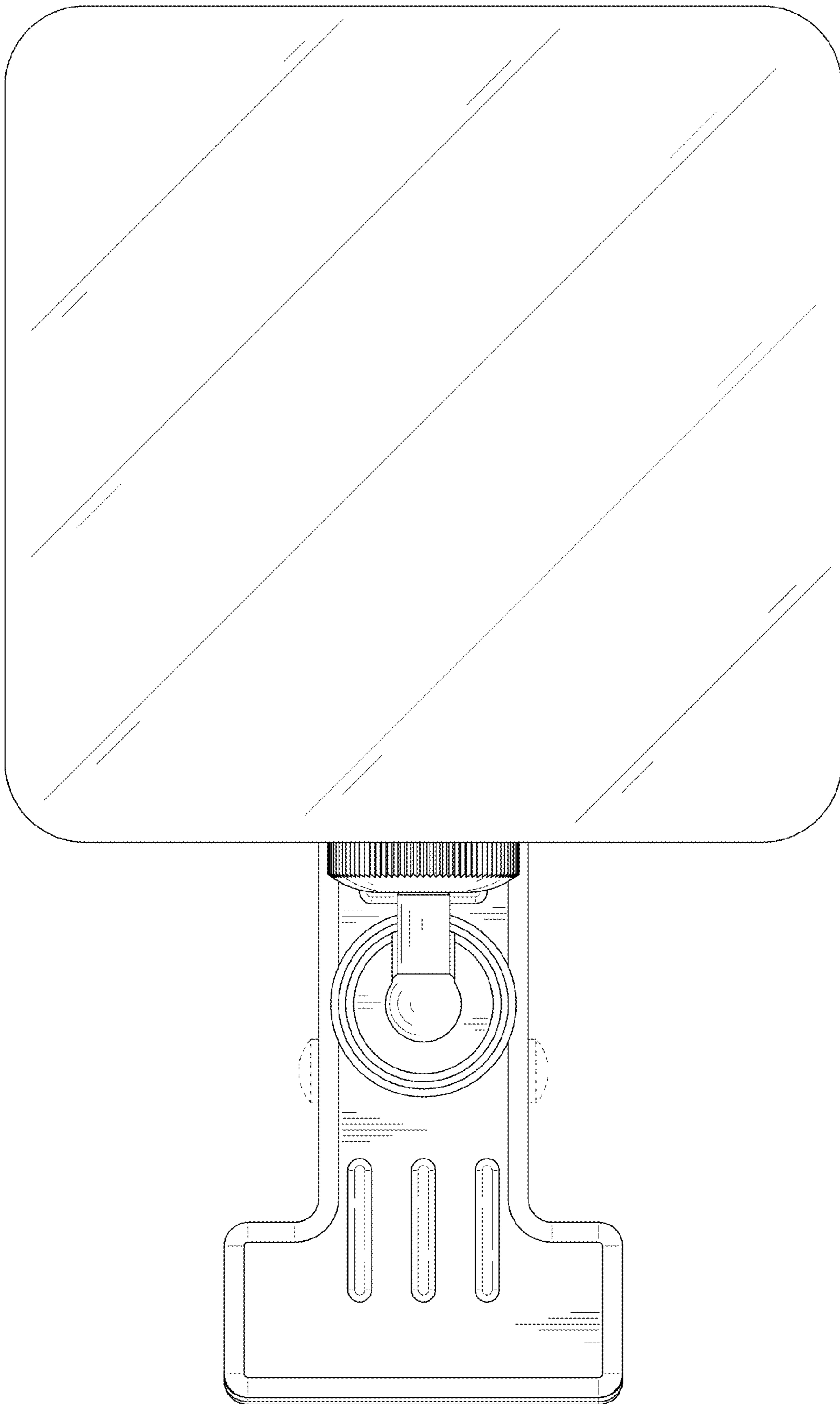


FIG. 3

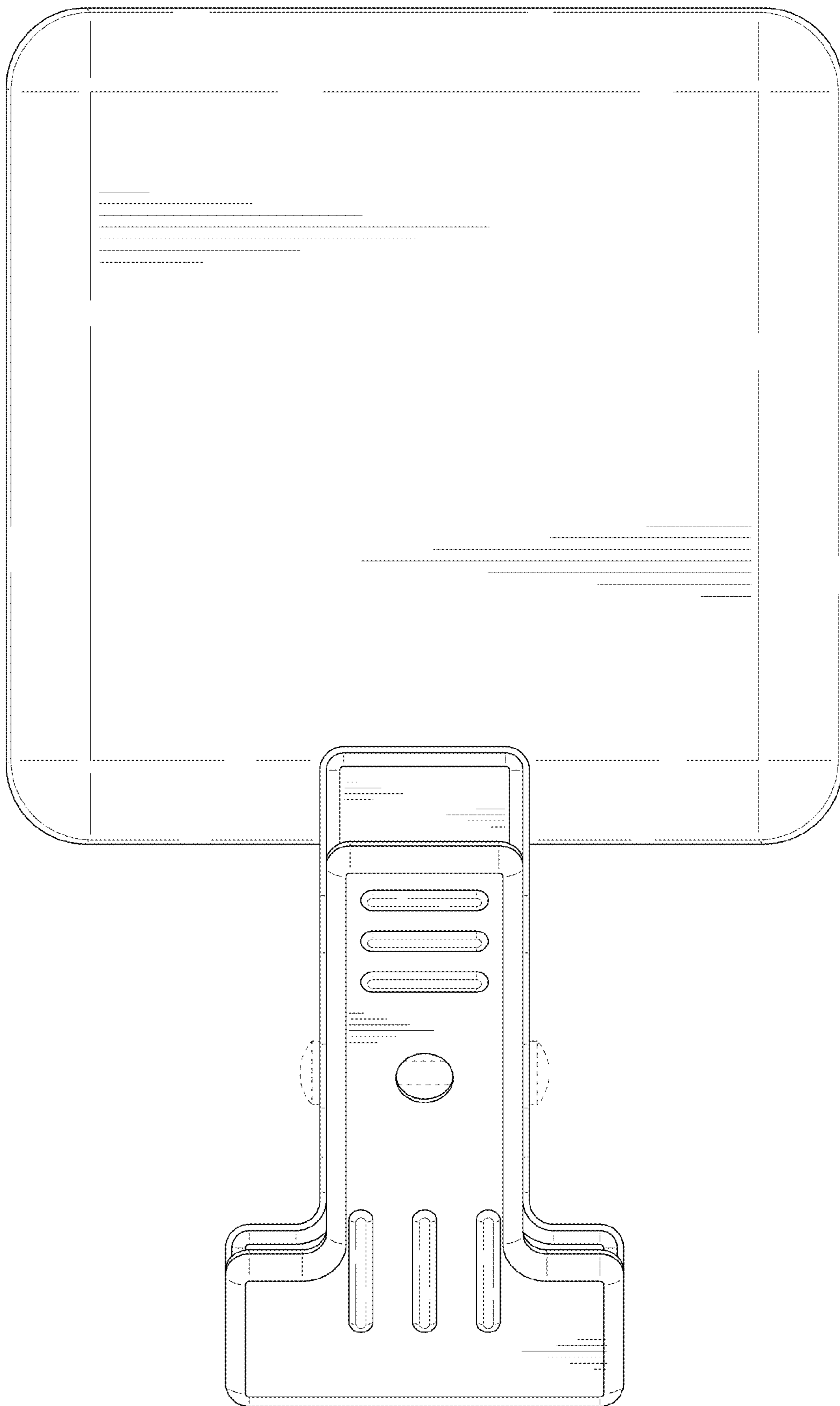


FIG. 4

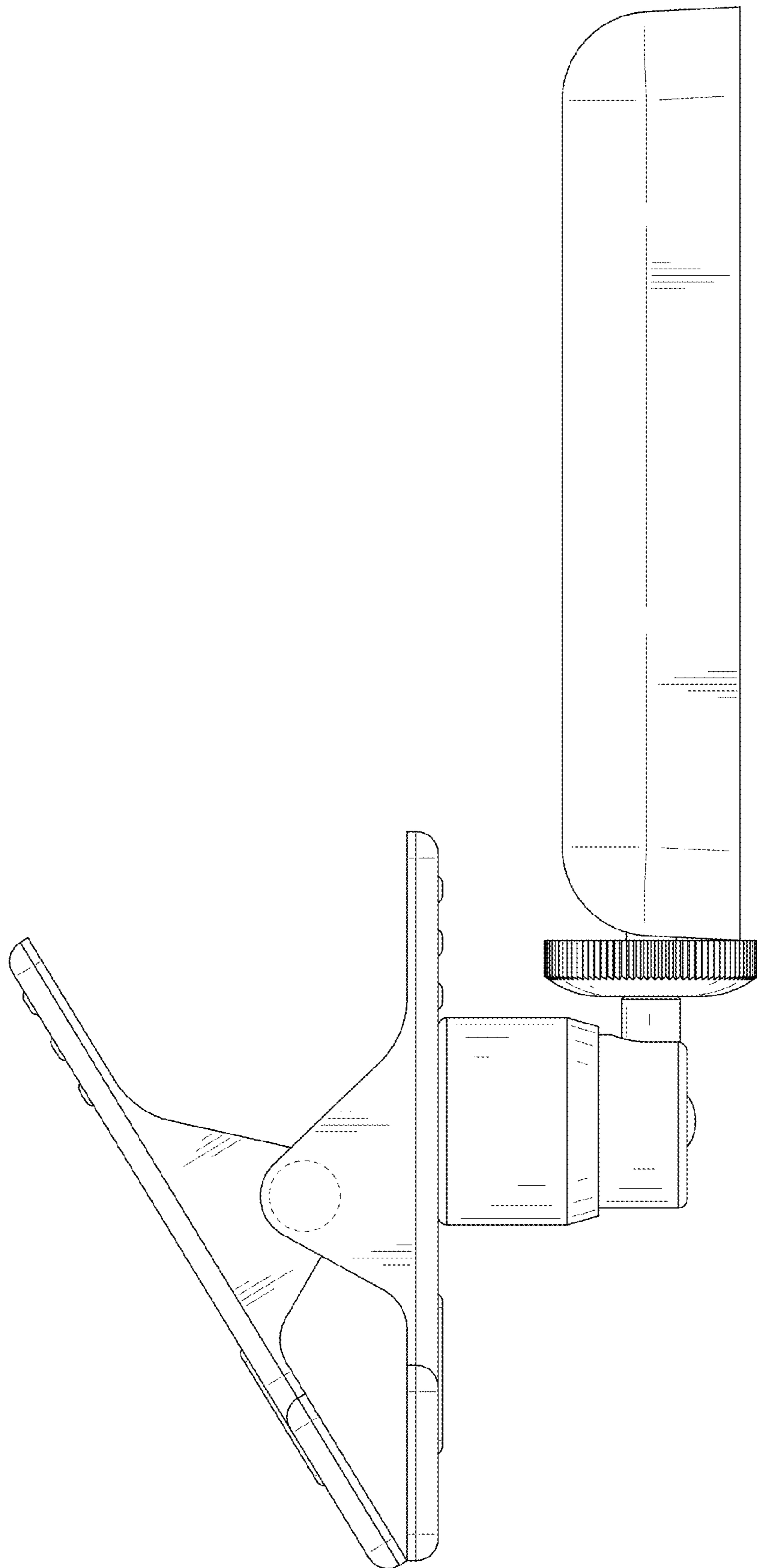


FIG. 5

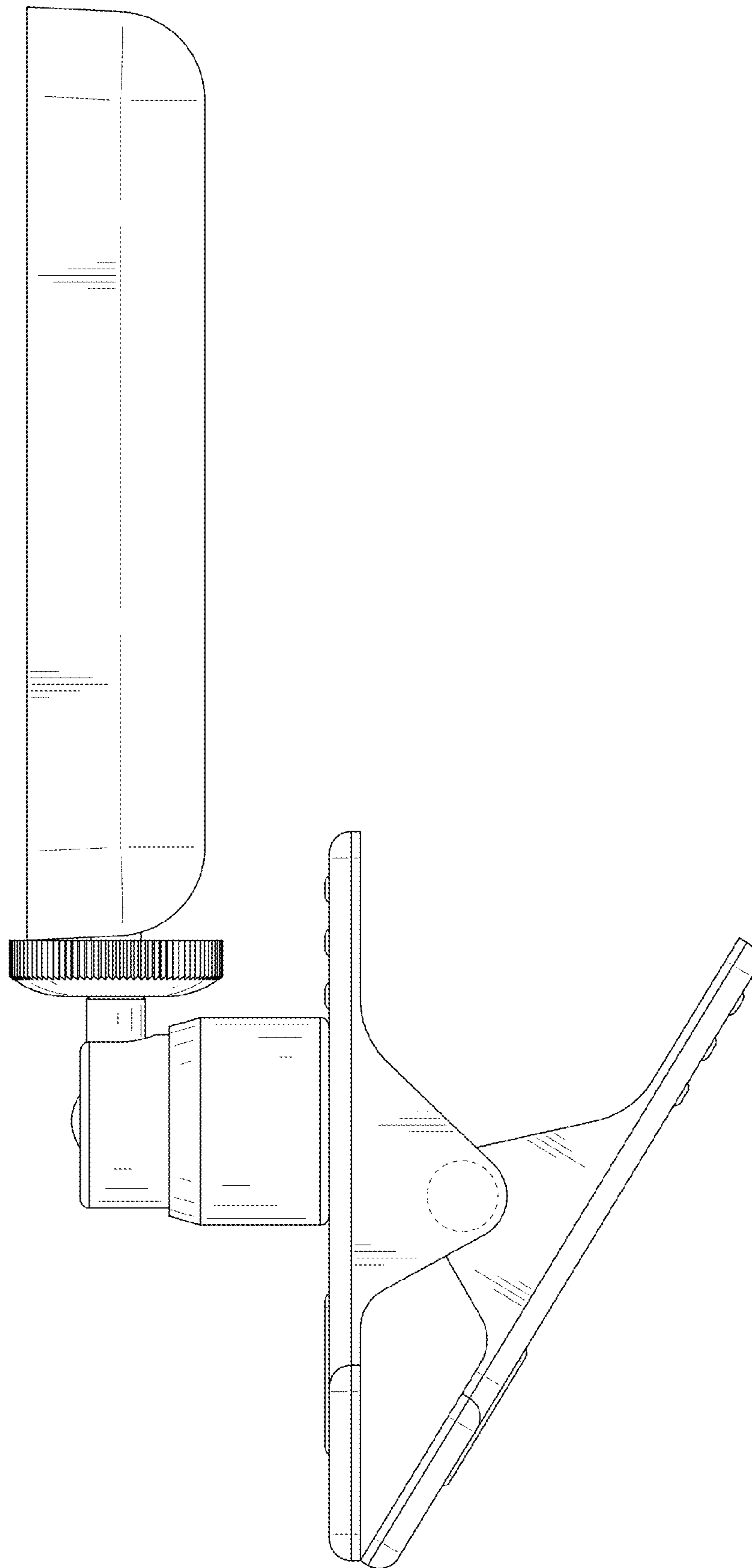


FIG. 6

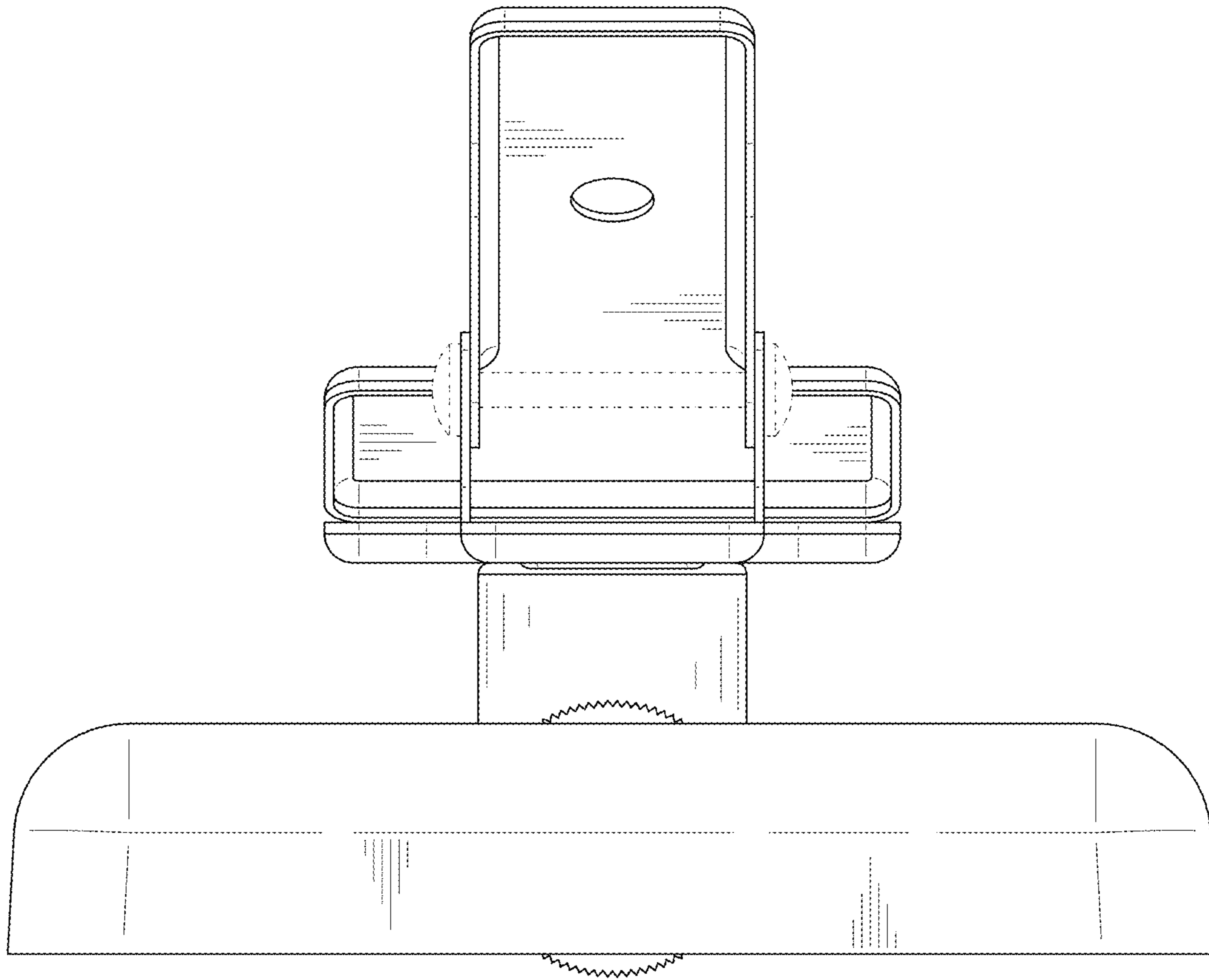


FIG. 7

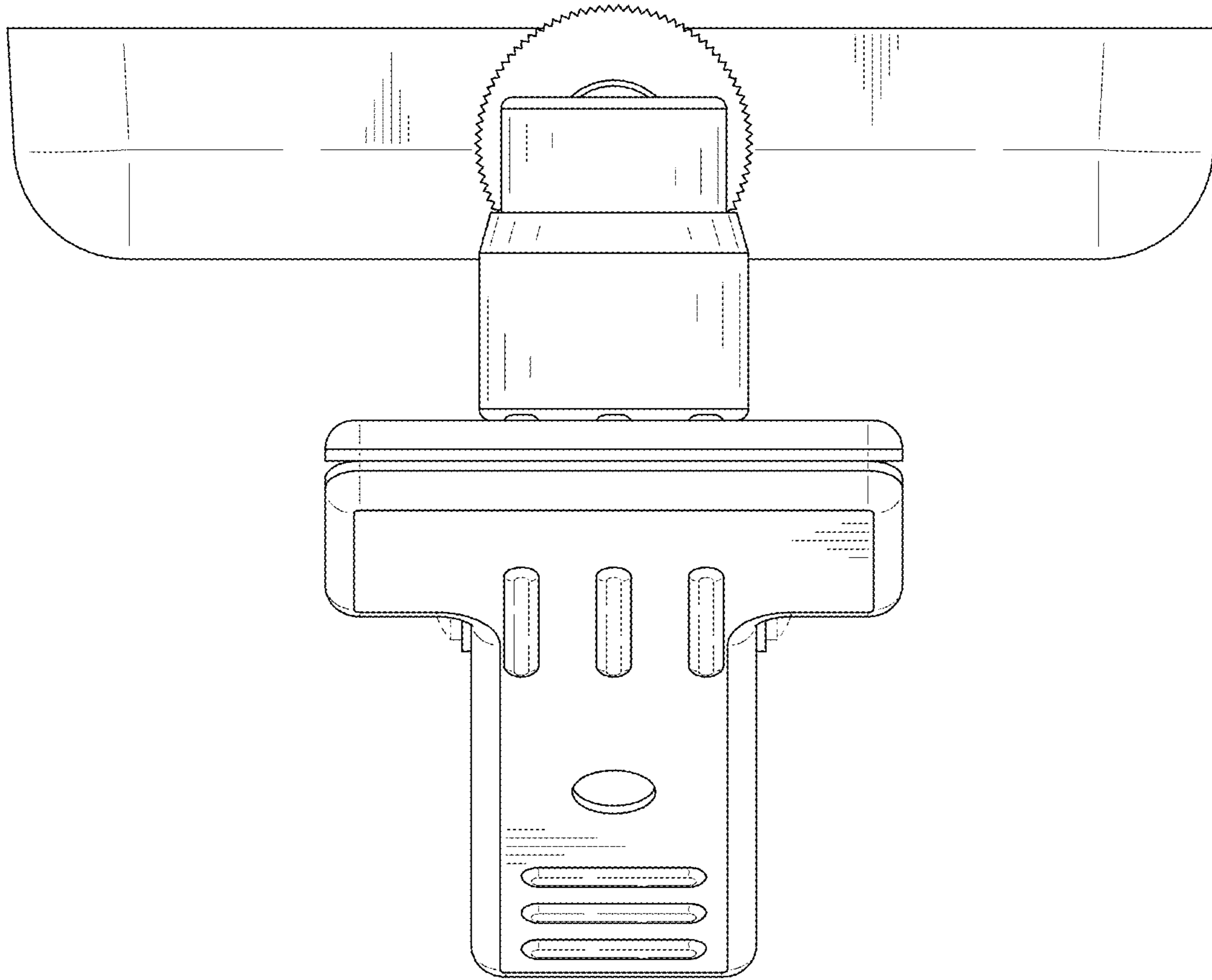


FIG. 8

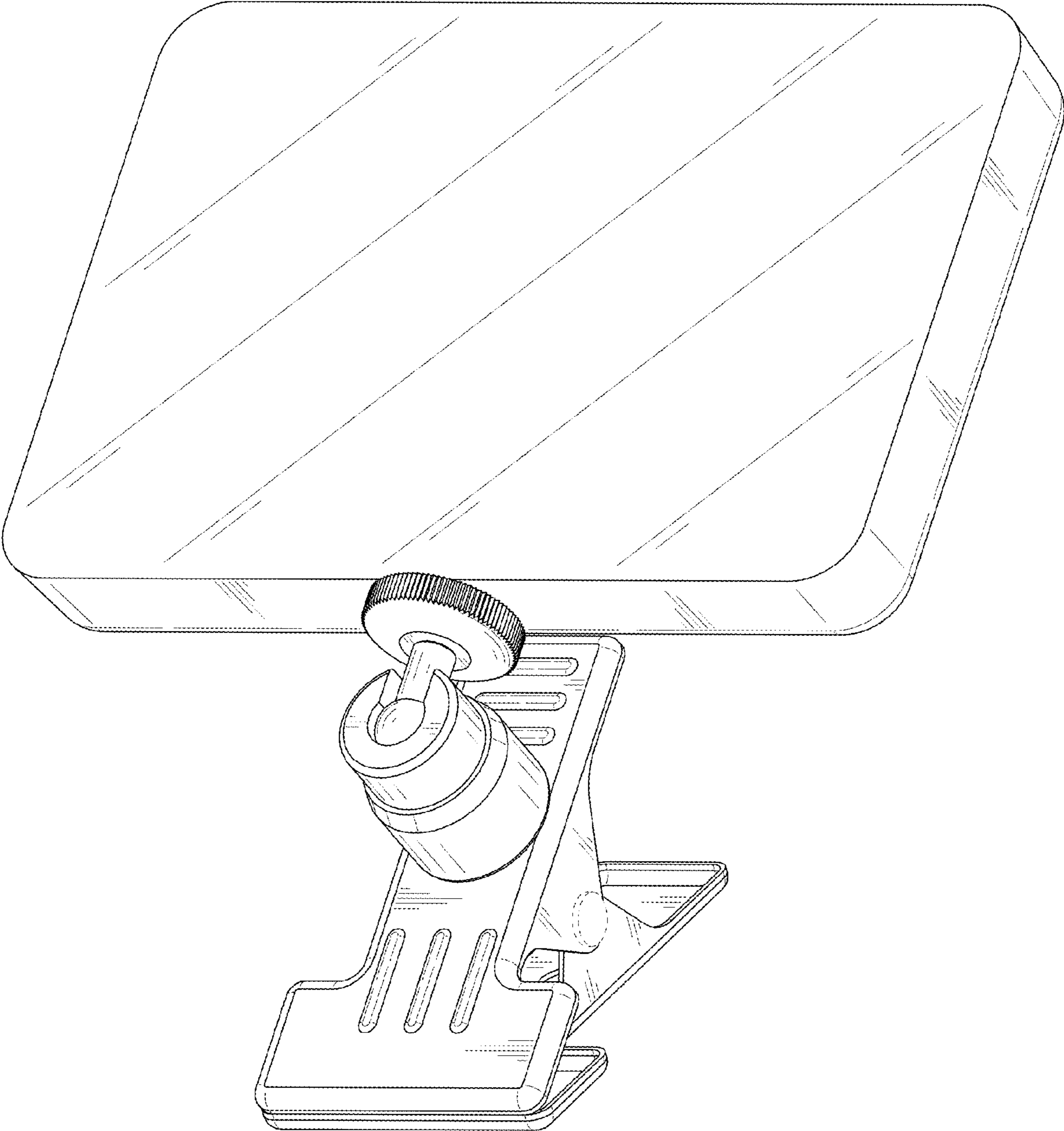


FIG. 9

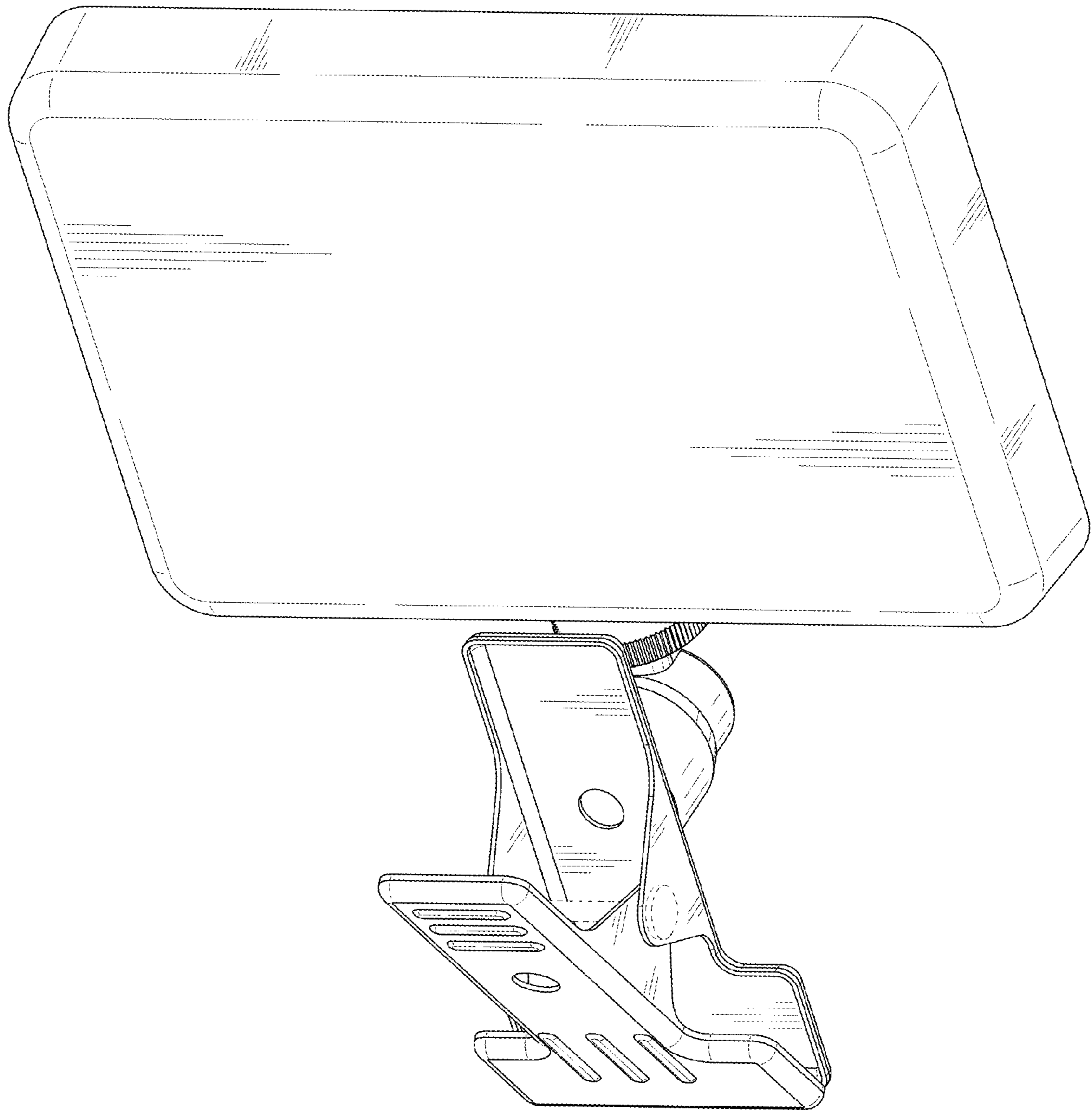


FIG. 10

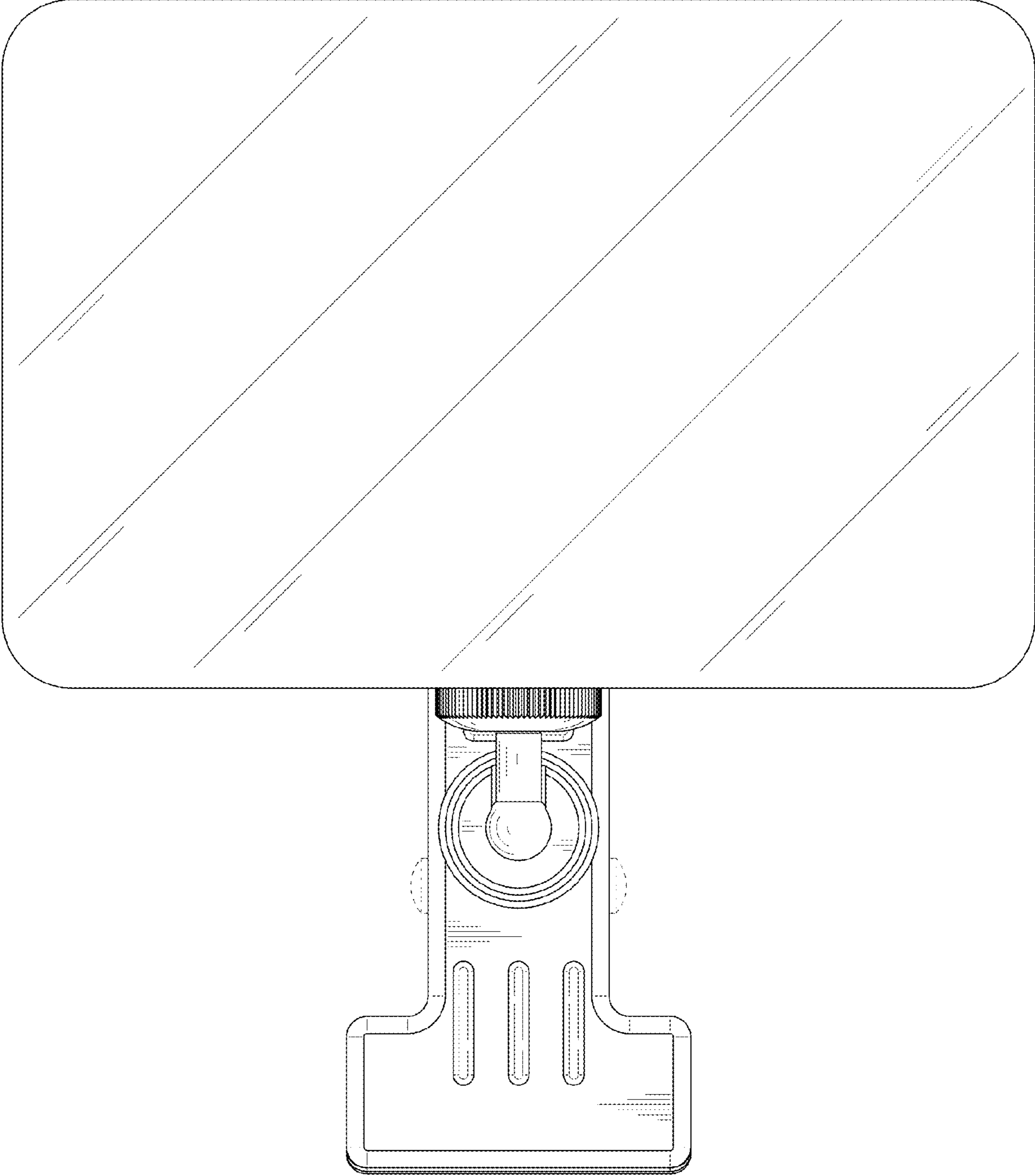


FIG. 11

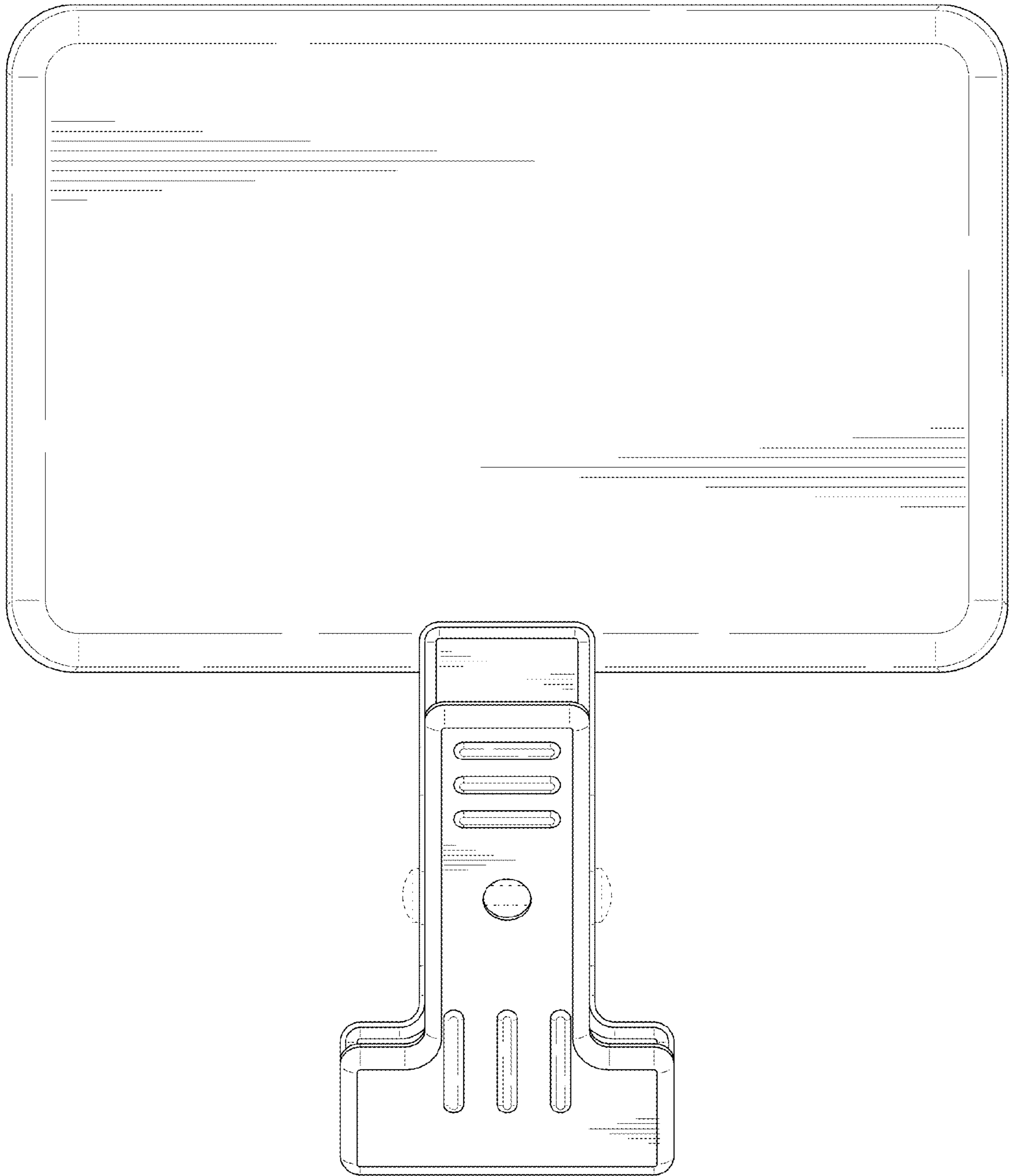


FIG. 12

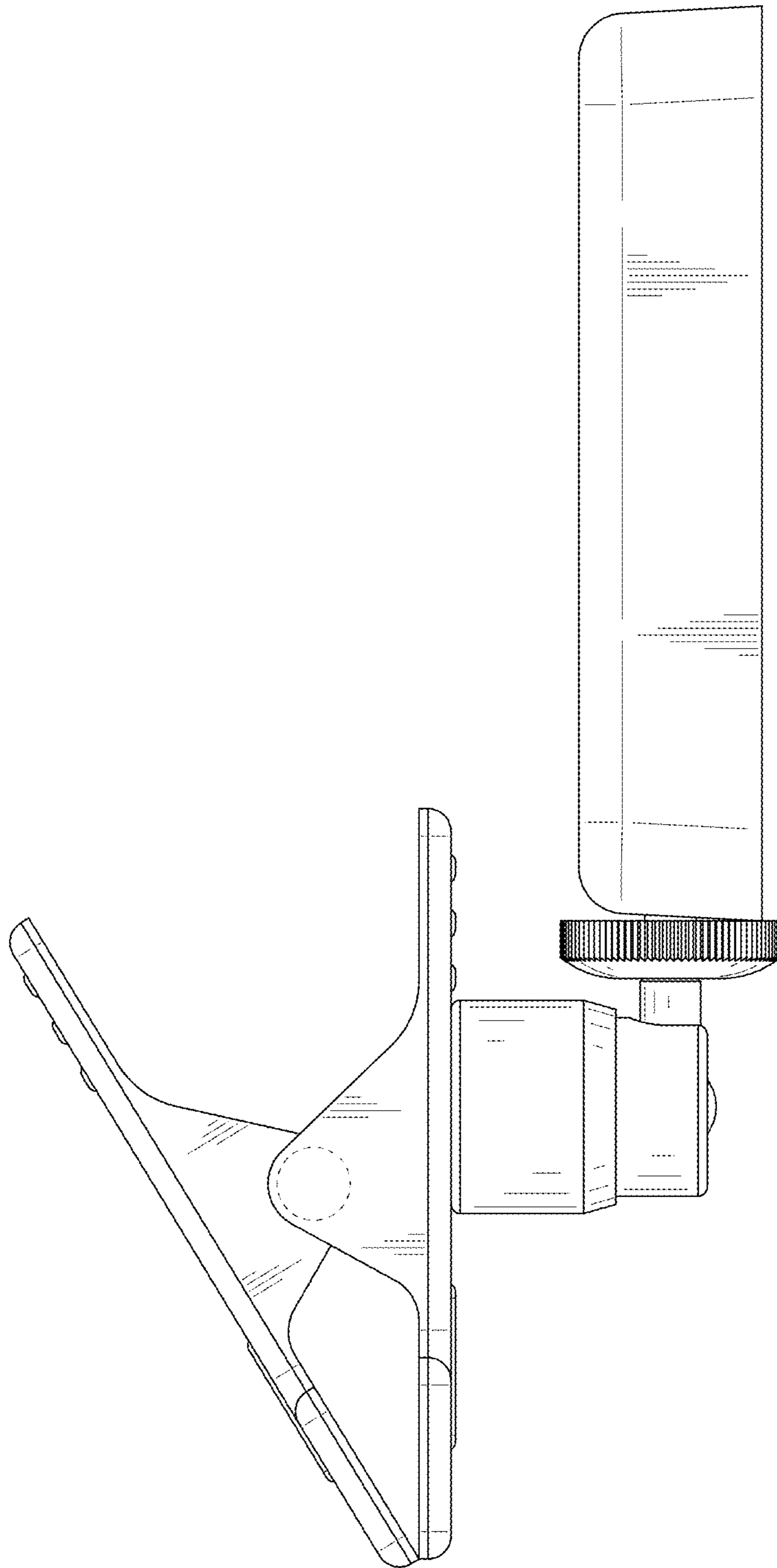


FIG. 13

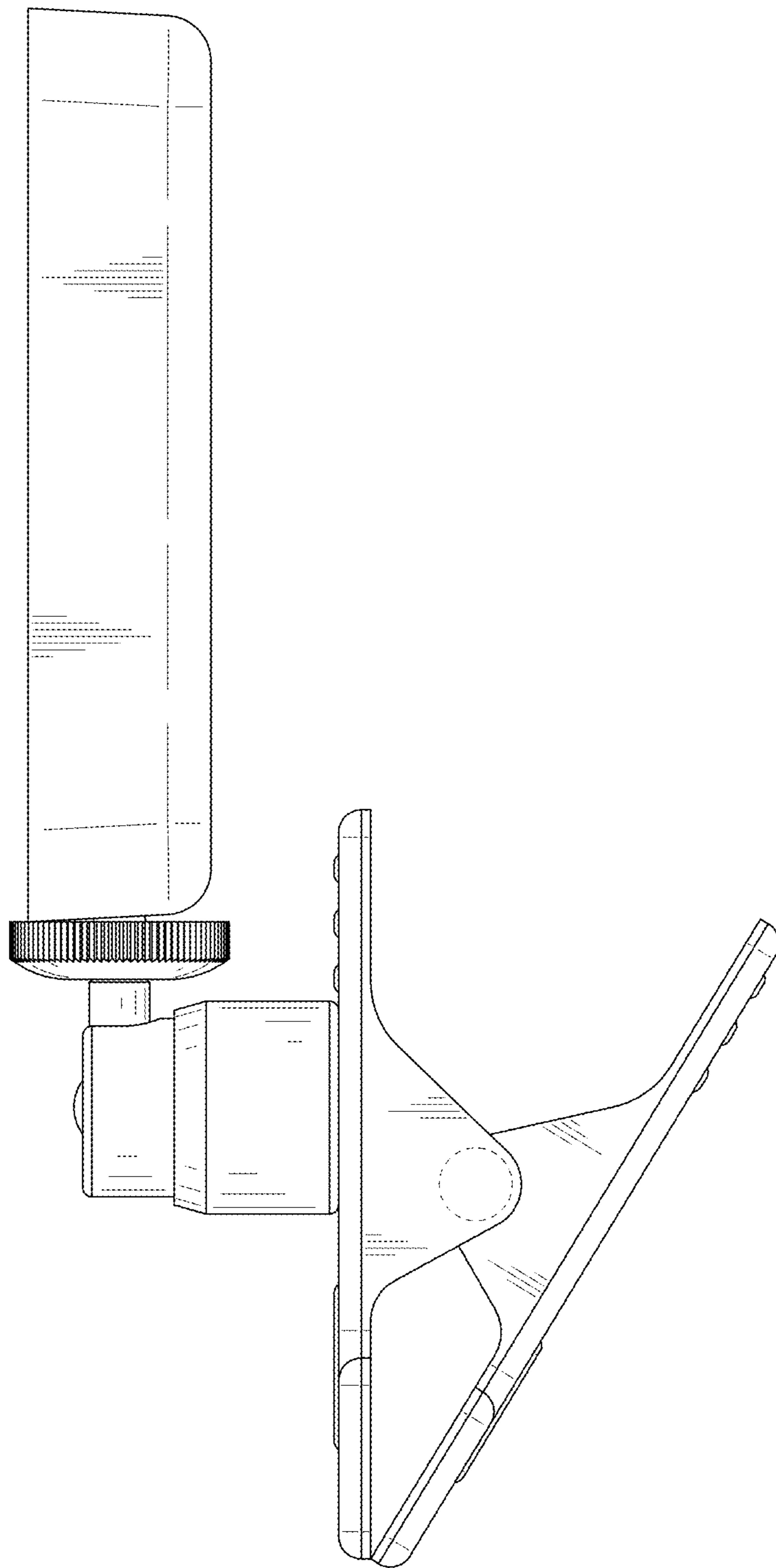


FIG. 14

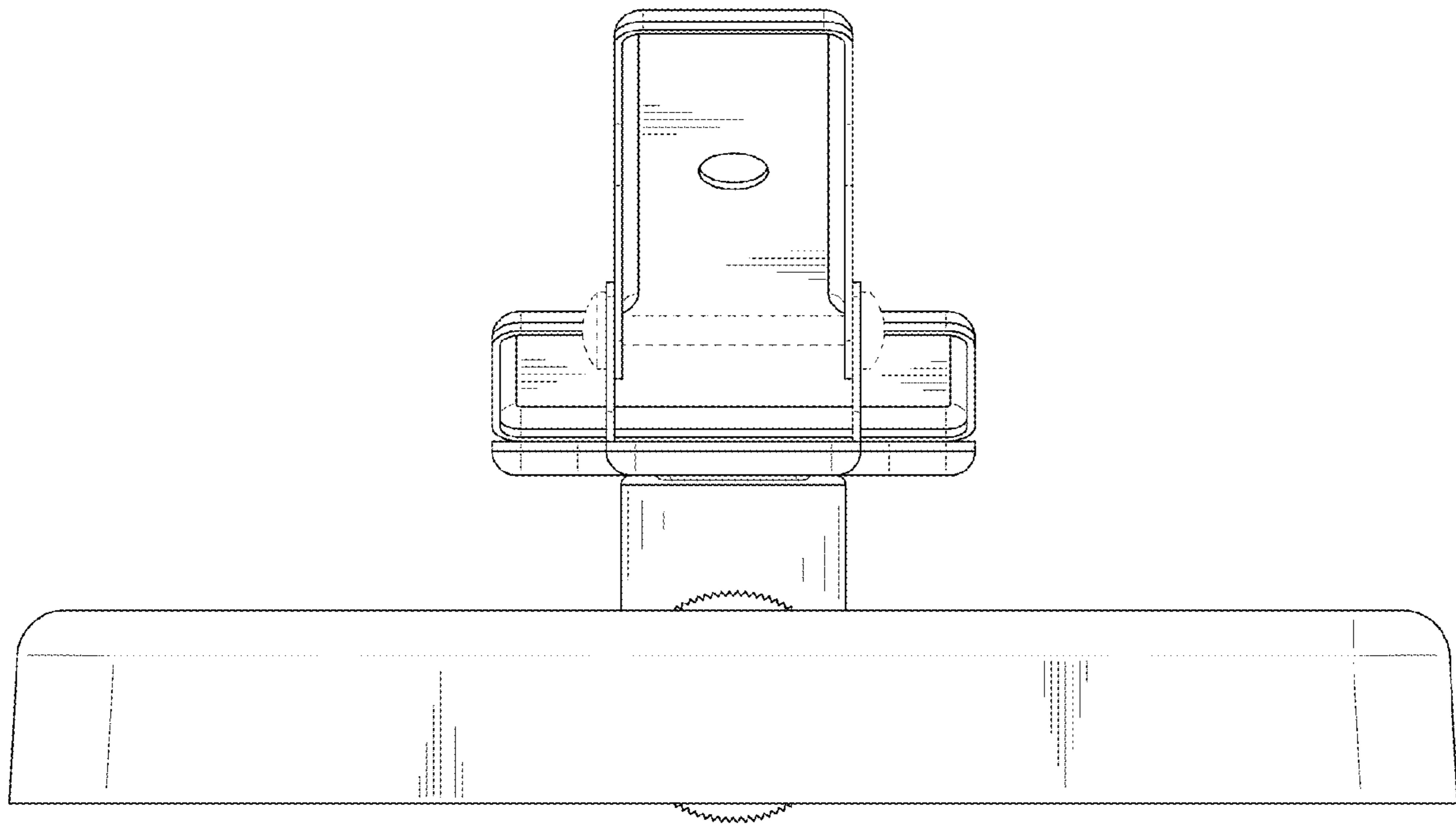


FIG. 15

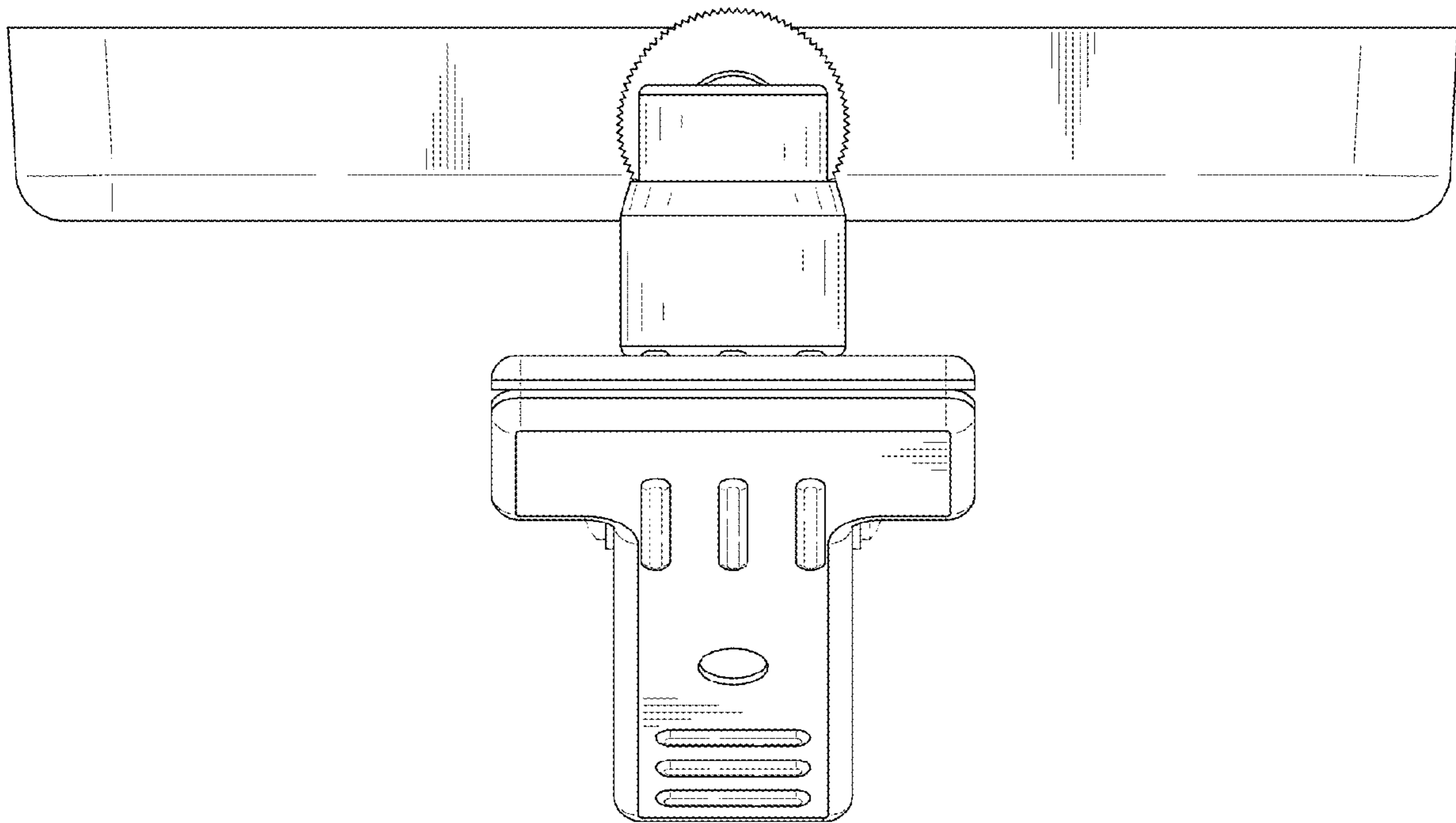


FIG. 16