



US00D932079S

(12) **United States Design Patent**
Weitgasser

(10) **Patent No.:** **US D932,079 S**

(45) **Date of Patent:** **** Sep. 28, 2021**

(54) **ILLUMINATING DEVICES**

(71) Applicant: **Derungs Licht AG**, Gossau (CH)
(72) Inventor: **Erwin Weitgasser**, Salzburg (AT)
(73) Assignee: **DERUNGS LICHT AG**, Gossau (CH)
(**) Term: **15 Years**

(21) Appl. No.: **35/508,629**

(22) Filed: **Jun. 17, 2019**

(80) **Hague Agreement Data**

Int. Filing Date: **Jun. 17, 2019**
Int. Reg. No.: **DM/205835**
Int. Reg. Date: **Jun. 17, 2019**
Int. Reg. Pub. Date: **Feb. 14, 2020**

(51) **LOC (13) Cl.** **26-02**

(52) **U.S. Cl.**
USPC **D26/49**

(58) **Field of Classification Search**
USPC D26/37, 49, 63, 72, 74, 76, 78-83, 85,
D26/86, 88, 90, 93, 111, 113, 118, 119,
D26/120, 121, 122, 138-142, 152
CPC F21S 2/00; F21S 4/00; F21S 4/003; F21S
4/005; F21S 4/006; F21S 4/007; F21S
4/008; F21S 6/00; F21S 8/00; F21S
8/024; F21S 8/026; F21S 8/031; F21S
8/033; F21S 8/035-037; F21S 8/04; F21S
8/043; F21S 8/063
See application file for complete search history.

(56) **References Cited**

U.S. PATENT DOCUMENTS

D325,100 S * 3/1992 Usami D26/49
D368,318 S * 3/1996 Furth D26/49
D375,291 S * 11/1996 Cheung D13/138.2
D403,446 S * 12/1998 Lynch D26/37
D403,447 S * 12/1998 Parsons D26/37

D423,129 S * 4/2000 Nakagawa D26/49
D506,848 S * 6/2005 Kung D26/49
D526,340 S * 8/2006 Hodgson D16/135
D572,394 S * 7/2008 Dalton D26/37
D602,967 S * 10/2009 Hui D16/135
D628,739 S * 12/2010 Lu D26/113
D636,513 S * 4/2011 Furtsch D26/38
D661,419 S * 6/2012 Huang D26/62
D690,457 S * 9/2013 Lu D26/118
D708,779 S * 7/2014 Cha D26/125
D716,482 S * 10/2014 Ma D26/49
D716,983 S * 11/2014 Ma D26/49
D746,500 S * 12/2015 Brown D26/49
D803,446 S * 11/2017 Green D26/49
D860,496 S * 9/2019 Waldmann D26/65
D861,125 S * 9/2019 Baltes D22/147

(Continued)

Primary Examiner — **Natasha Vujcic**

(74) *Attorney, Agent, or Firm* — **Michael J. Bujold**

(57) **CLAIM**

The ornamental design for illuminating devices, as shown and described.

DESCRIPTION

2.-3 Illumination devices

2.1 : Perspective

2.2 : Front

2.3 : Right

2.4 : Back

2.5 : Left

2.6 : Top

2.7 : Bottom

3.1 : Perspective

3.2 : Front

3.3 : Right

3.4 : Back

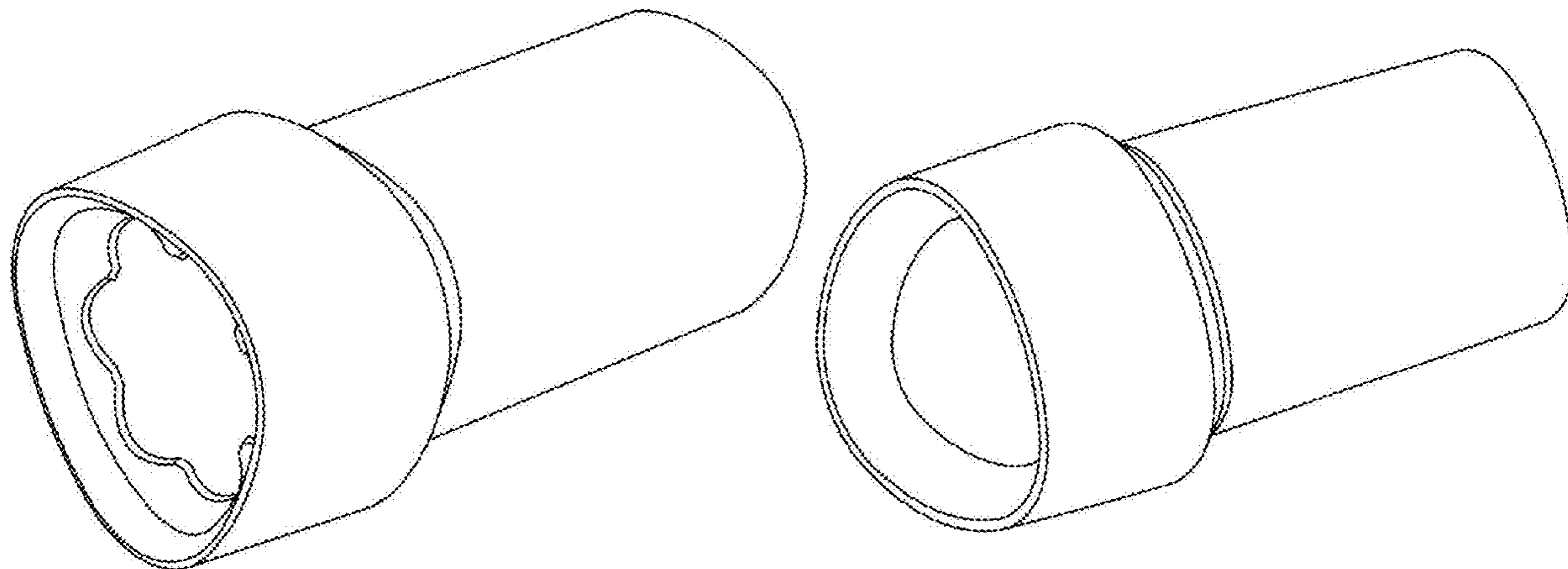
3.5 : Left

3.6 : Top

3.7 : Bottom

The broken lines in the drawings illustrate portions of the lamp and form no part of the claimed design.

1 Claim, 10 Drawing Sheets



(56)

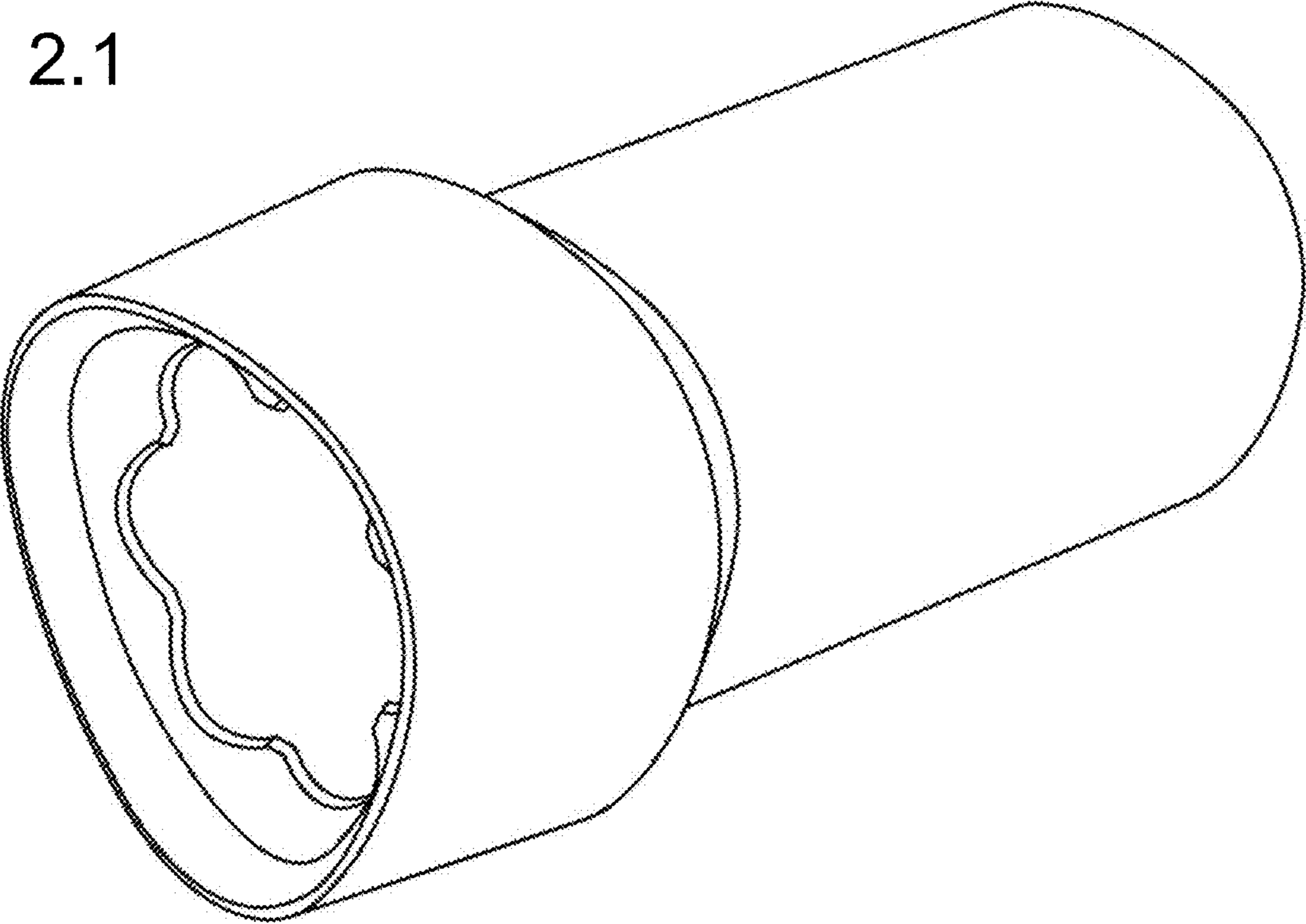
References Cited

U.S. PATENT DOCUMENTS

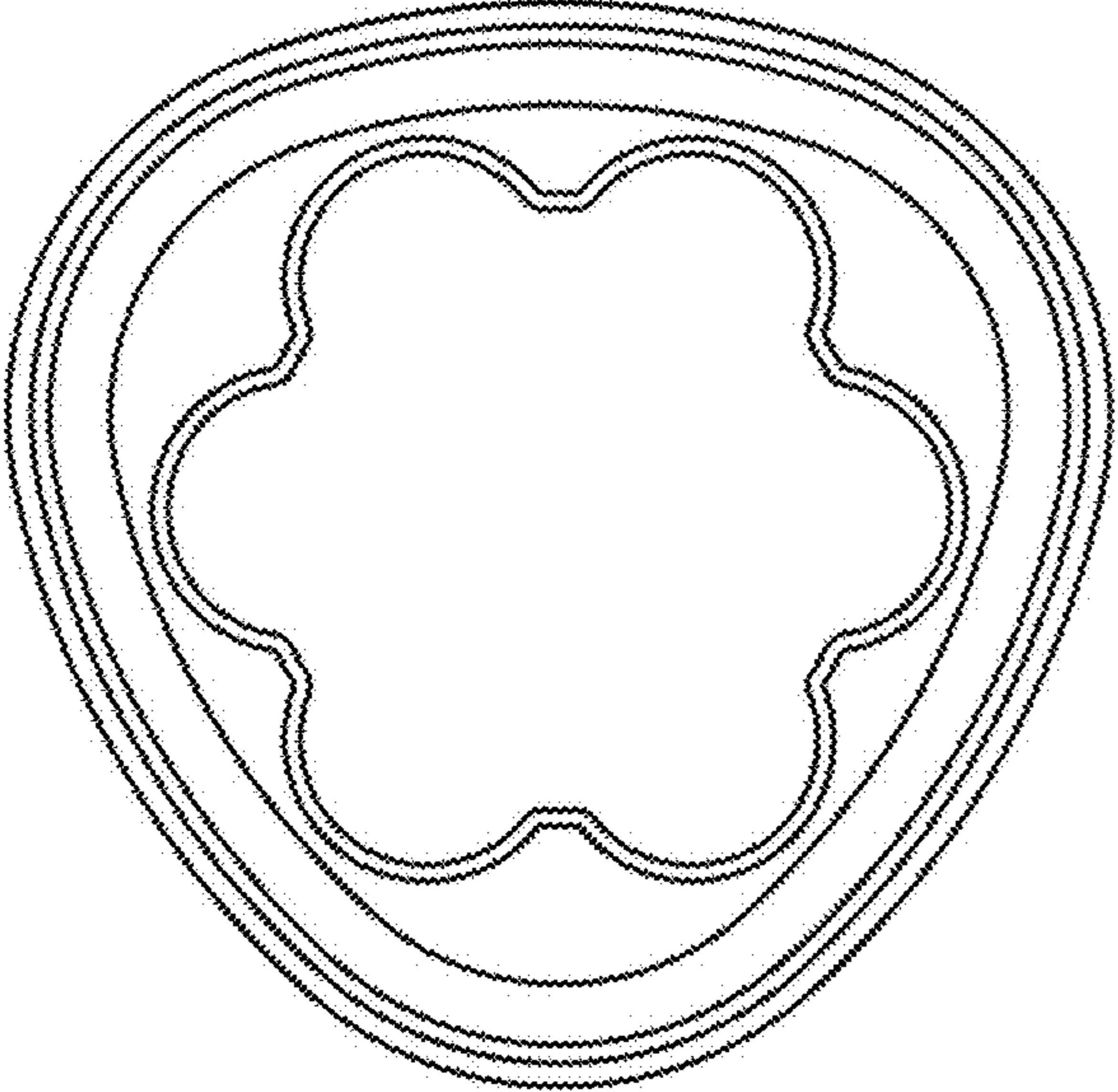
D863,644 S * 10/2019 Gibson D26/71
D891,684 S * 7/2020 Weitgasser D26/113
D896,320 S * 9/2020 Fouts D21/483
2012/0170274 A1 * 7/2012 Lu G07D 7/128
362/253

* cited by examiner

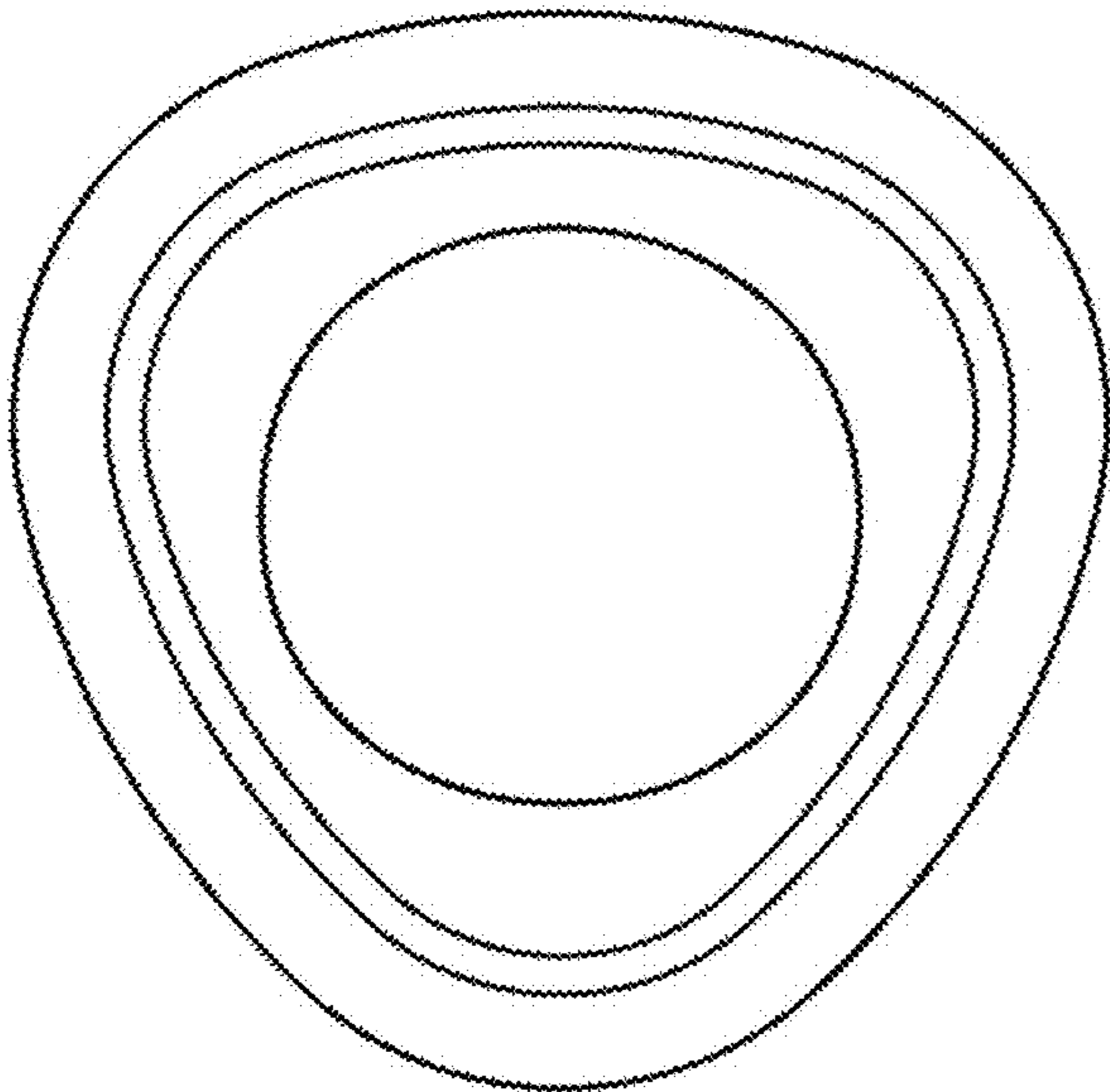
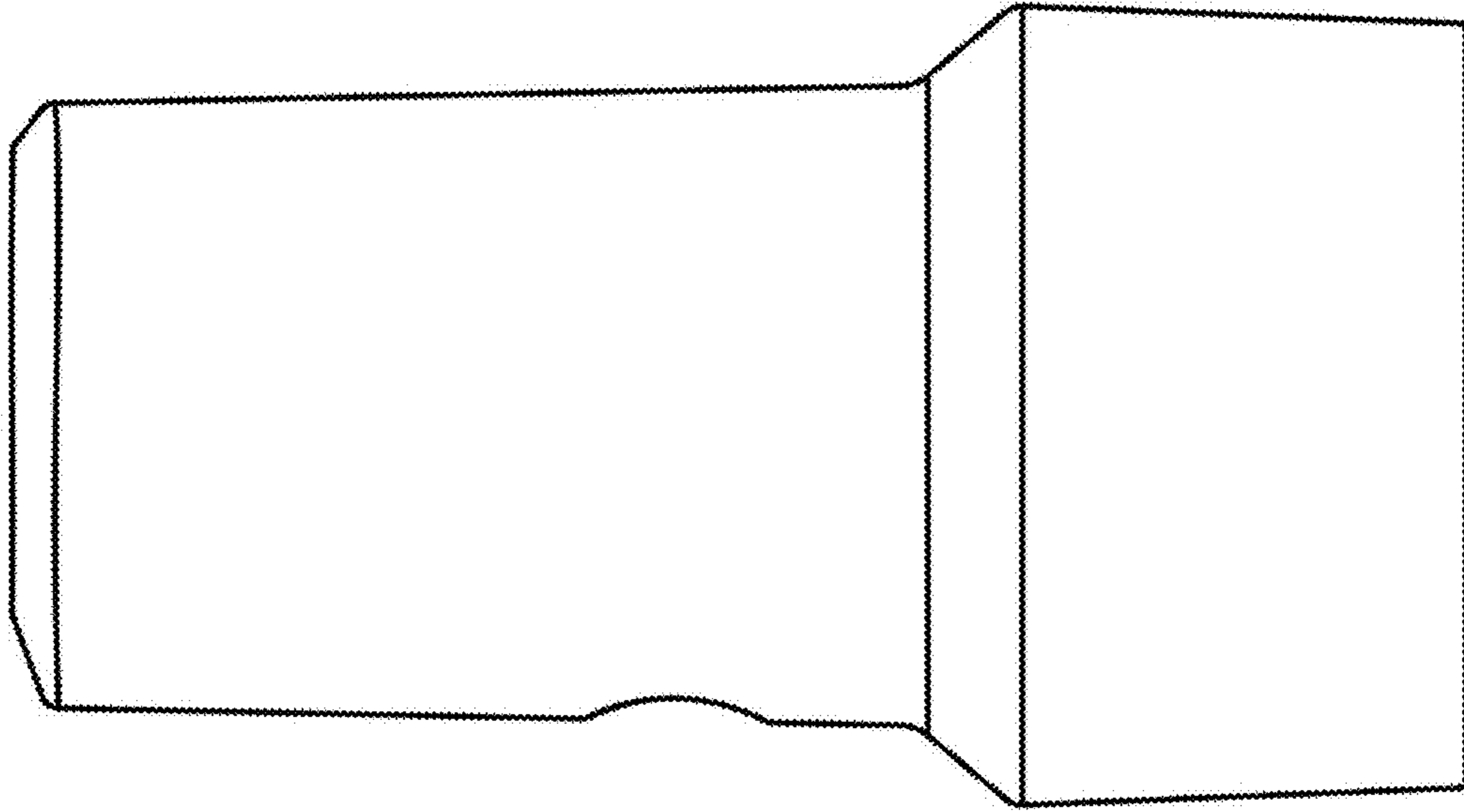
2.1



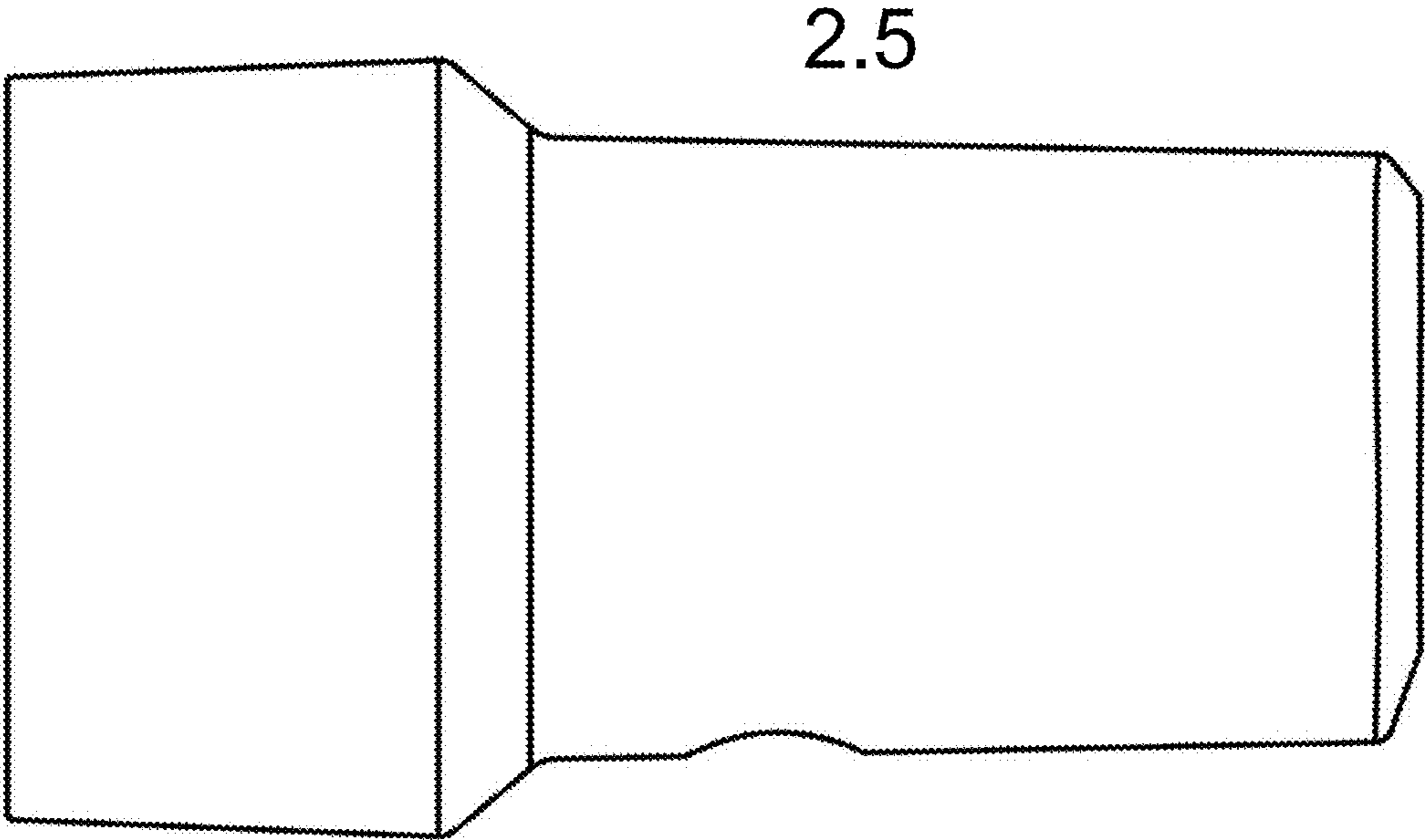
2.2

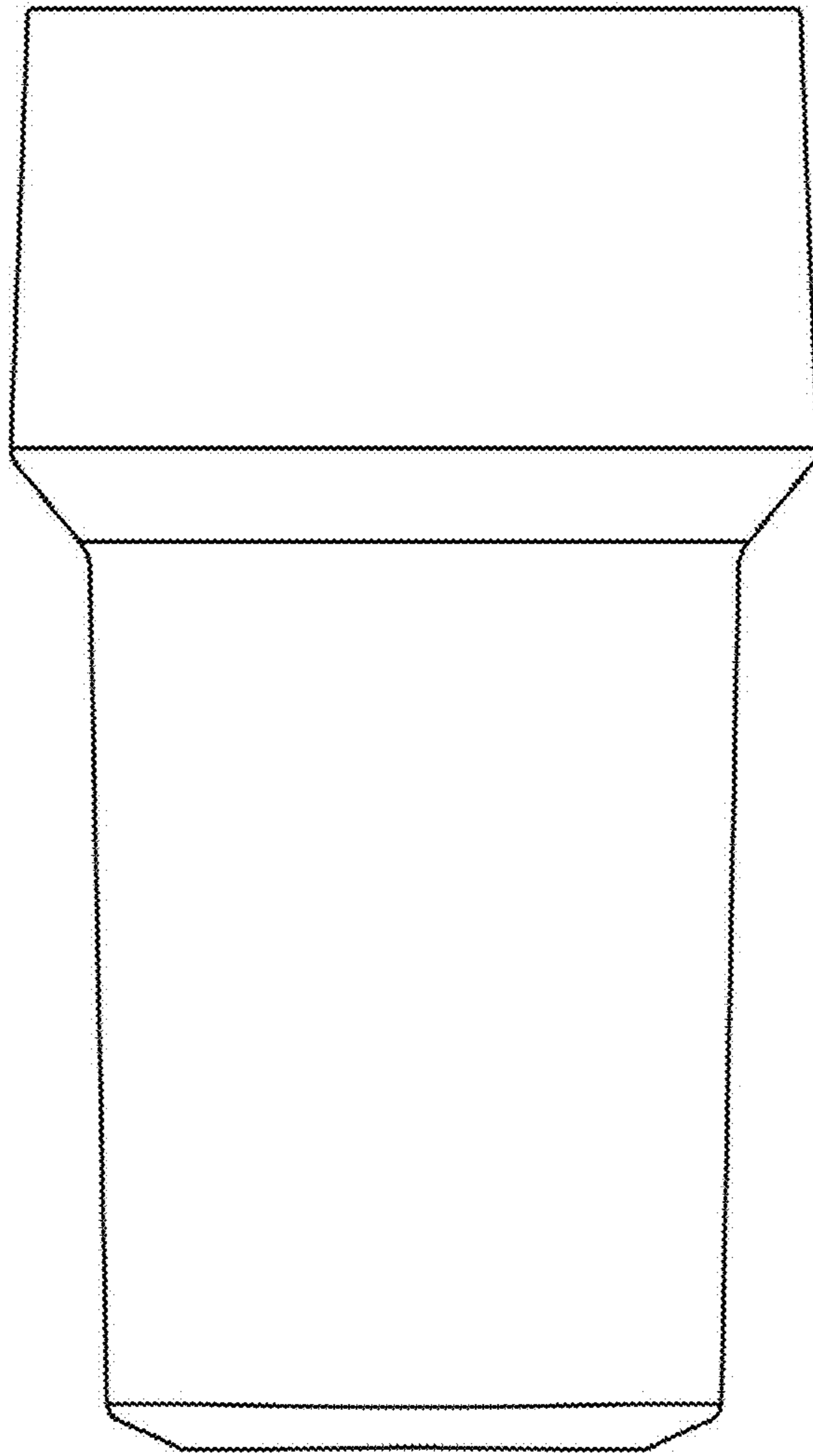


2.3

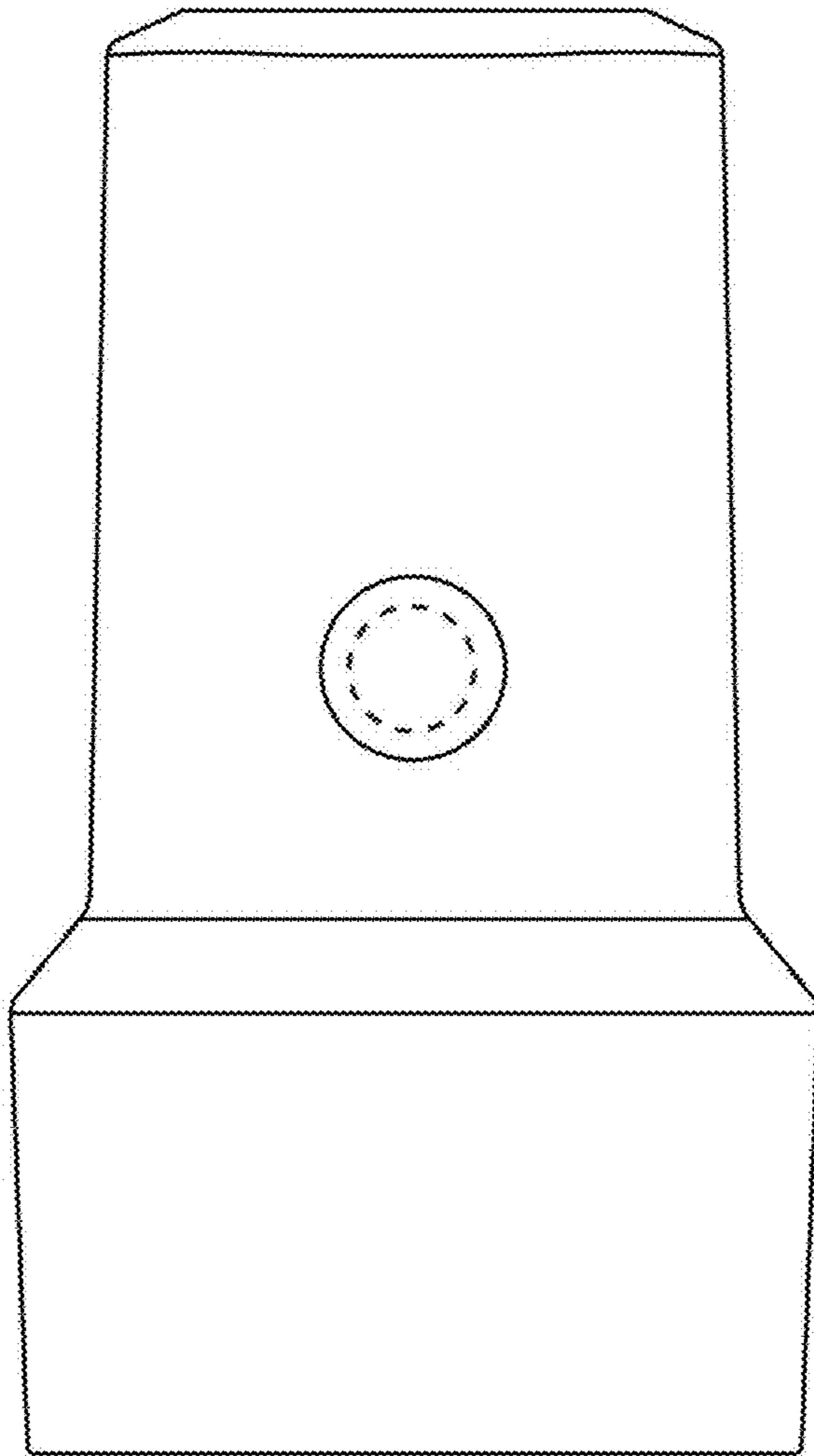


2.4



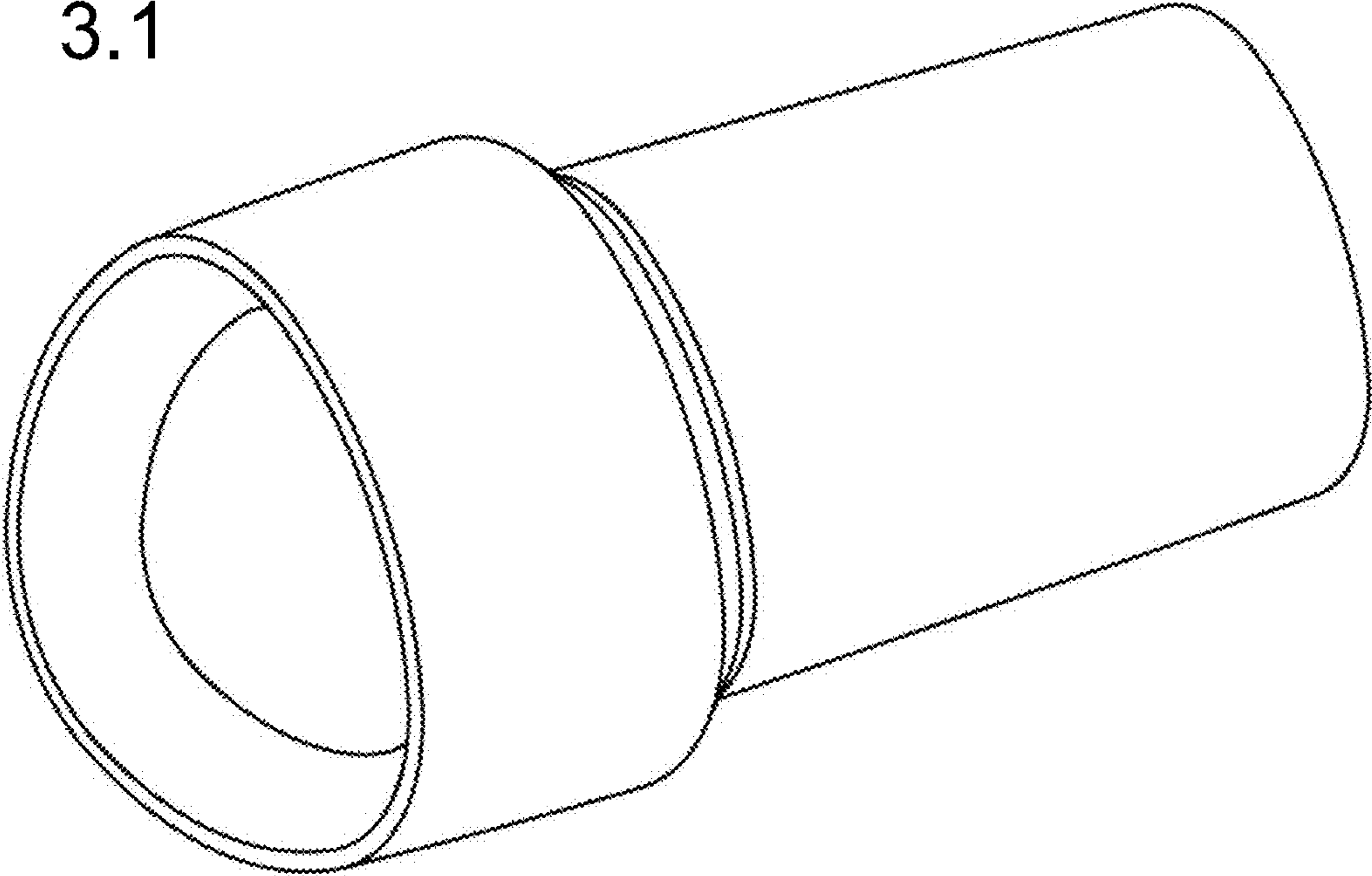


2.6

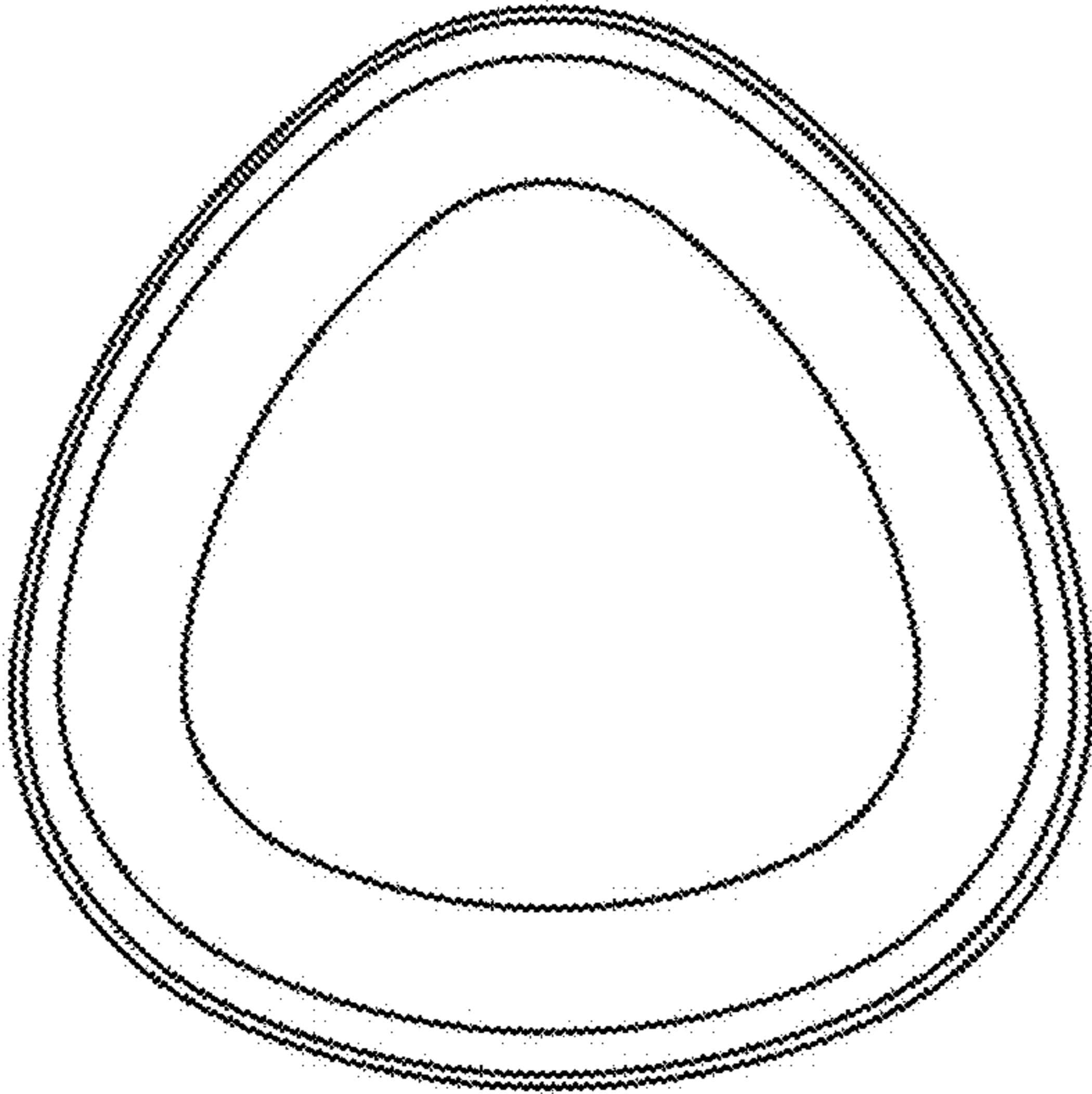


2.7

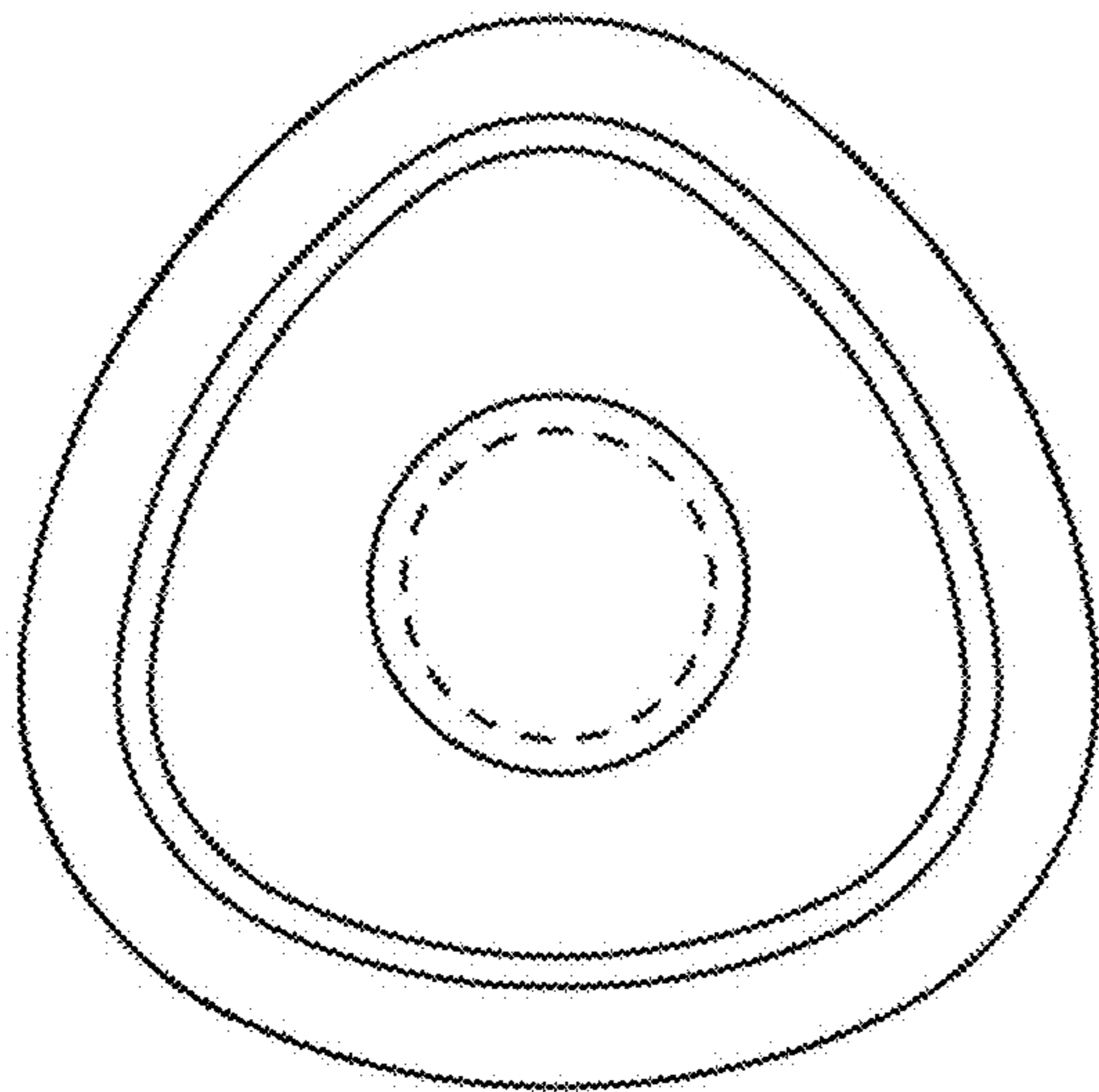
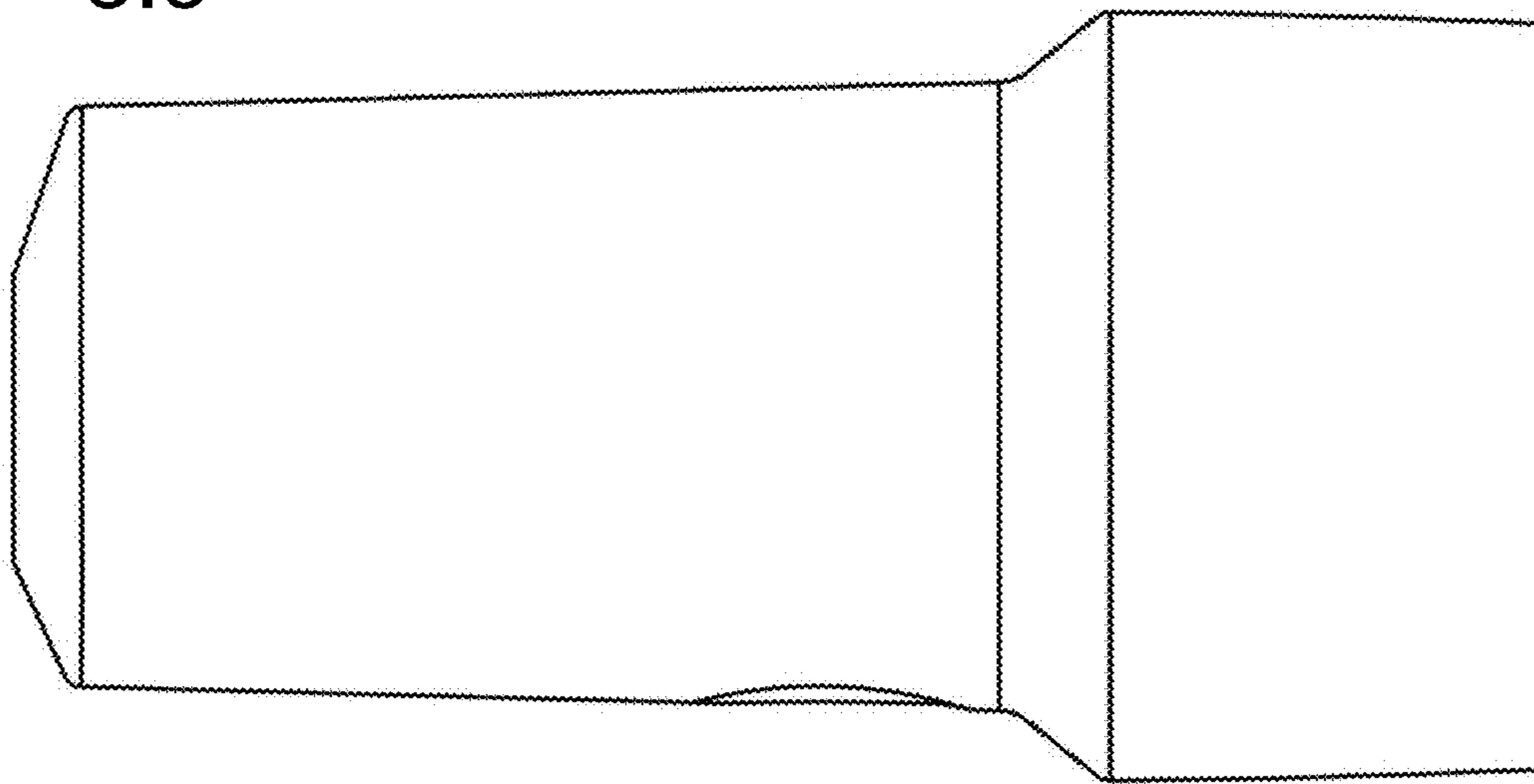
3.1



3.2

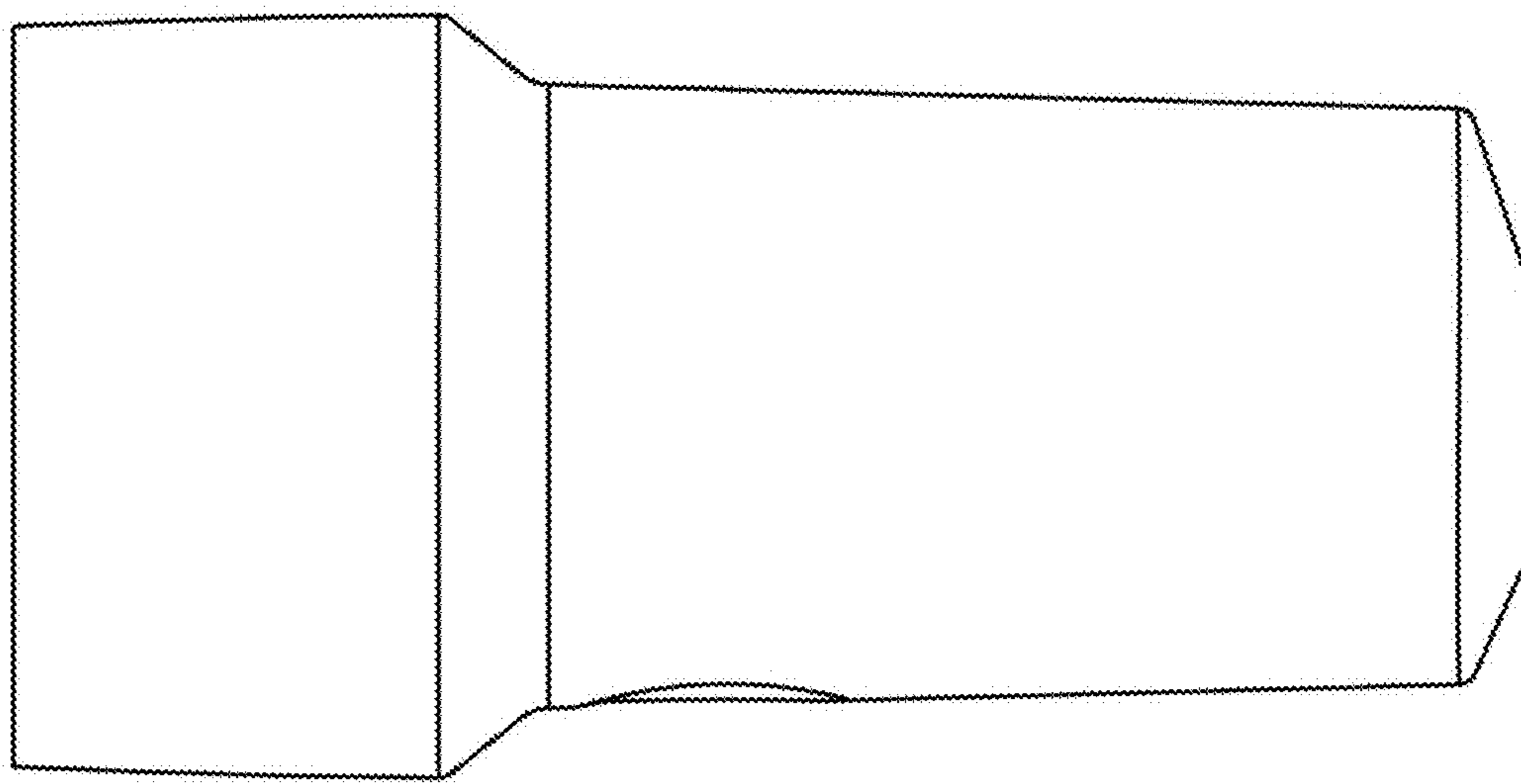


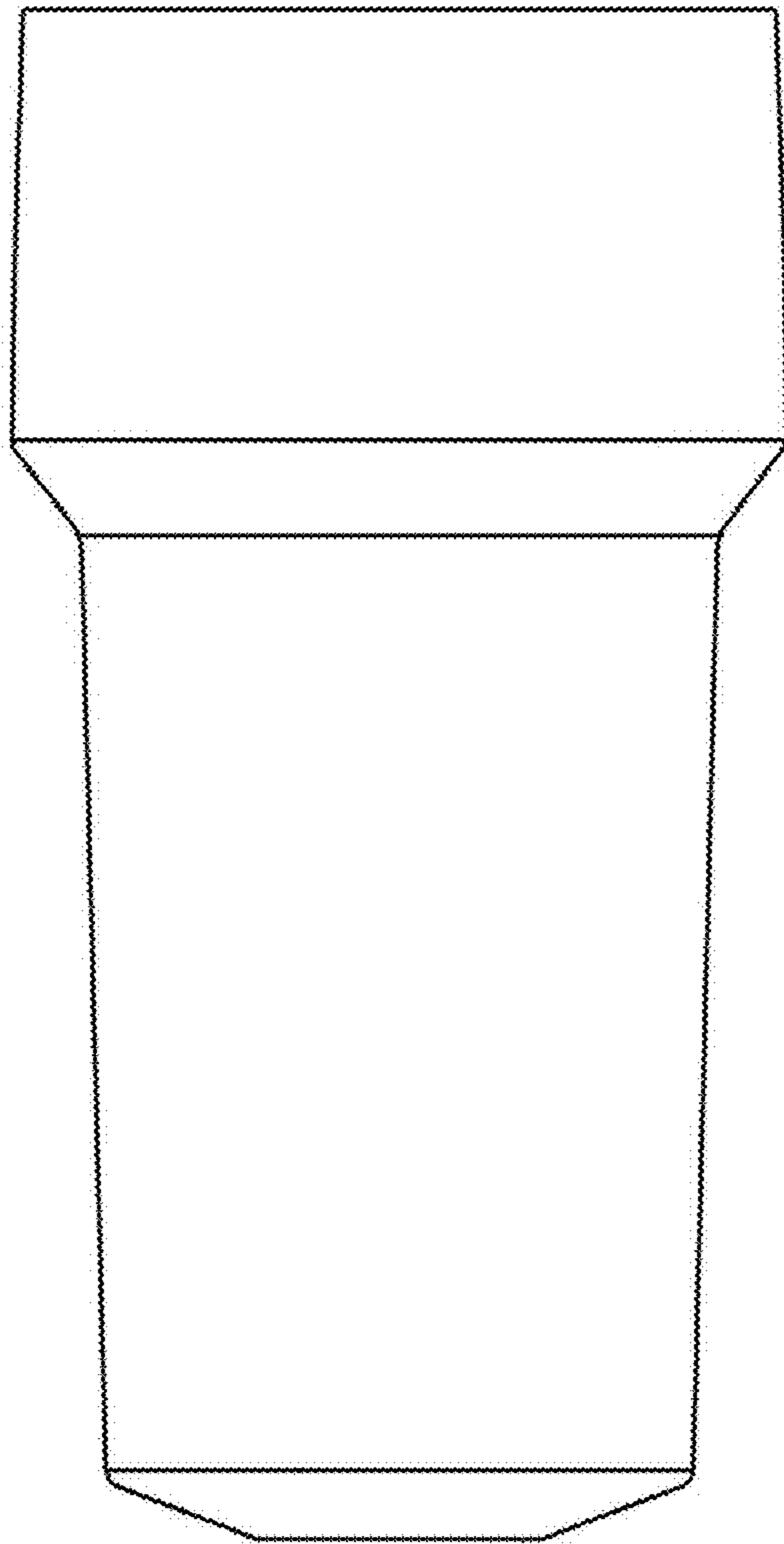
3.3



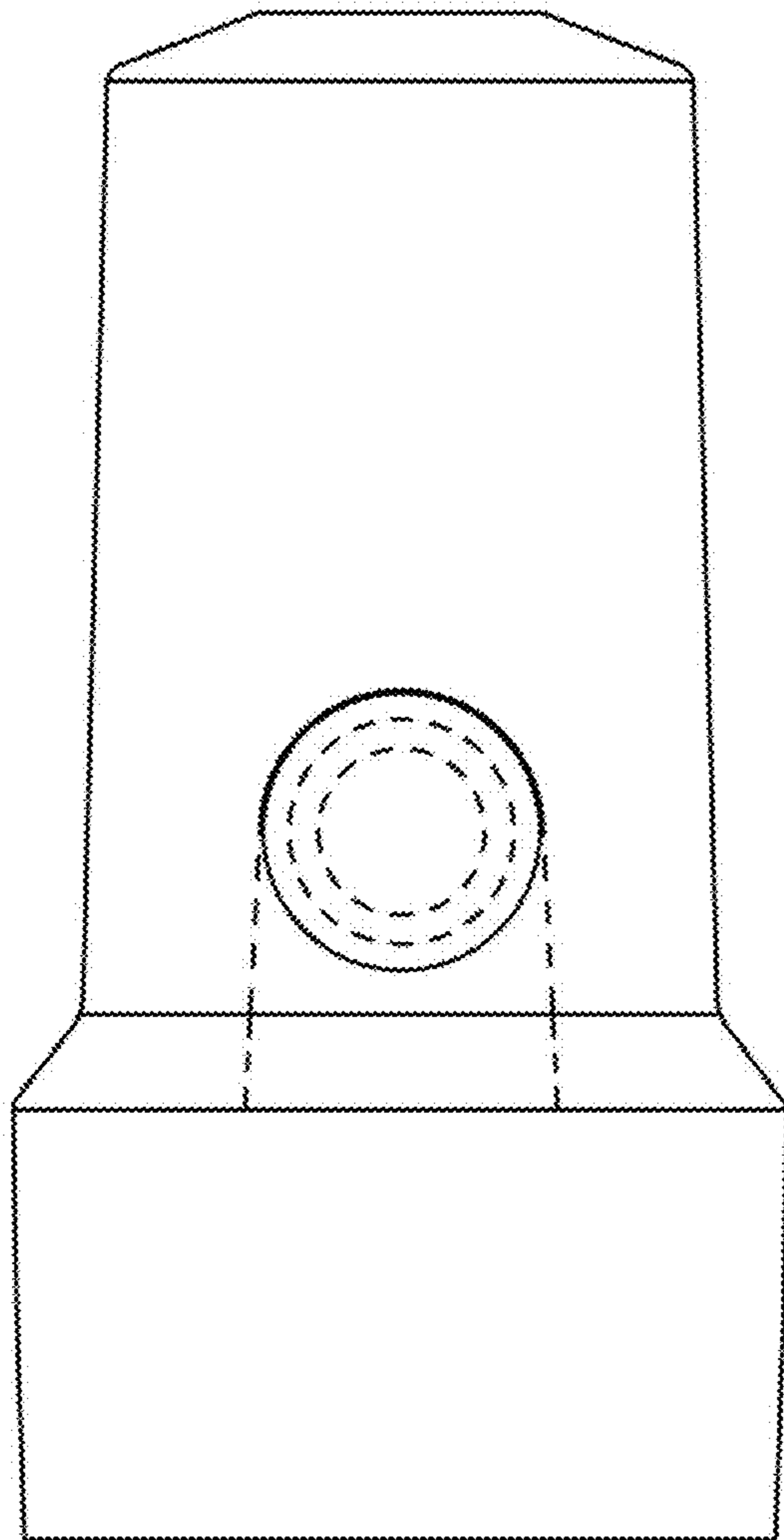
3.4

3.5





3.6



3.7