



US00D932078S

(12) **United States Design Patent** (10) **Patent No.:** **US D932,078 S**  
**Sreshta et al.** (45) **Date of Patent:** **\*\* Sep. 28, 2021**

(54) **EXPANDABLE LIGHT**

5,782,552 A 7/1998 Green et al.  
D397,470 S \* 8/1998 Bassford ..... D10/104.1  
5,888,156 A 3/1999 Cmiel et al.  
(Continued)

(71) Applicant: **LUMINAID LAB LLC**, Houston, TX  
(US)

(72) Inventors: **Andrea M. Sreshta**, Houston, TX  
(US); **Anna Ruth Stork**, Sherborn, MA  
(US)

**FOREIGN PATENT DOCUMENTS**

CA 152065 5/2014  
CN 1162496 10/1997  
(Continued)

(73) Assignee: **LuminAID LAB, LLC**, Houston, TX  
(US)

**OTHER PUBLICATIONS**

(\*\*) Term: **15 Years**

U.S. Appl. No. 61/356,274, filed May 17, 2012, Sreshta.  
(Continued)

(21) Appl. No.: **29/533,052**

(22) Filed: **Jul. 14, 2015**

*Primary Examiner* — Richard E Chilcot  
(74) *Attorney, Agent, or Firm* — Fish & Richardson P.C.

(51) **LOC (13) Cl.** ..... **26-02**

(52) **U.S. Cl.**  
USPC ..... **D26/41**  
CPC ..... **F21L 4/00** (2013.01)

(57) **CLAIM**

The ornamental design for an expandable light and the like,  
as shown and described.

(58) **Field of Classification Search**  
USPC ..... D26/37-51  
CPC ..... F21L 2003/00; F21L 4/00; F21L 4/005;  
F21L 4/02; F21L 4/025; F21L 4/027;  
F21L 4/04; F21L 4/08; F21L 2005/00;  
F21L 7/00; F21L 11/00; F21L 13/00;  
F21L 13/04; F21L 13/08; F21L 14/02;  
F21L 17/00; F21L 19/00

**DESCRIPTION**

See application file for complete search history.

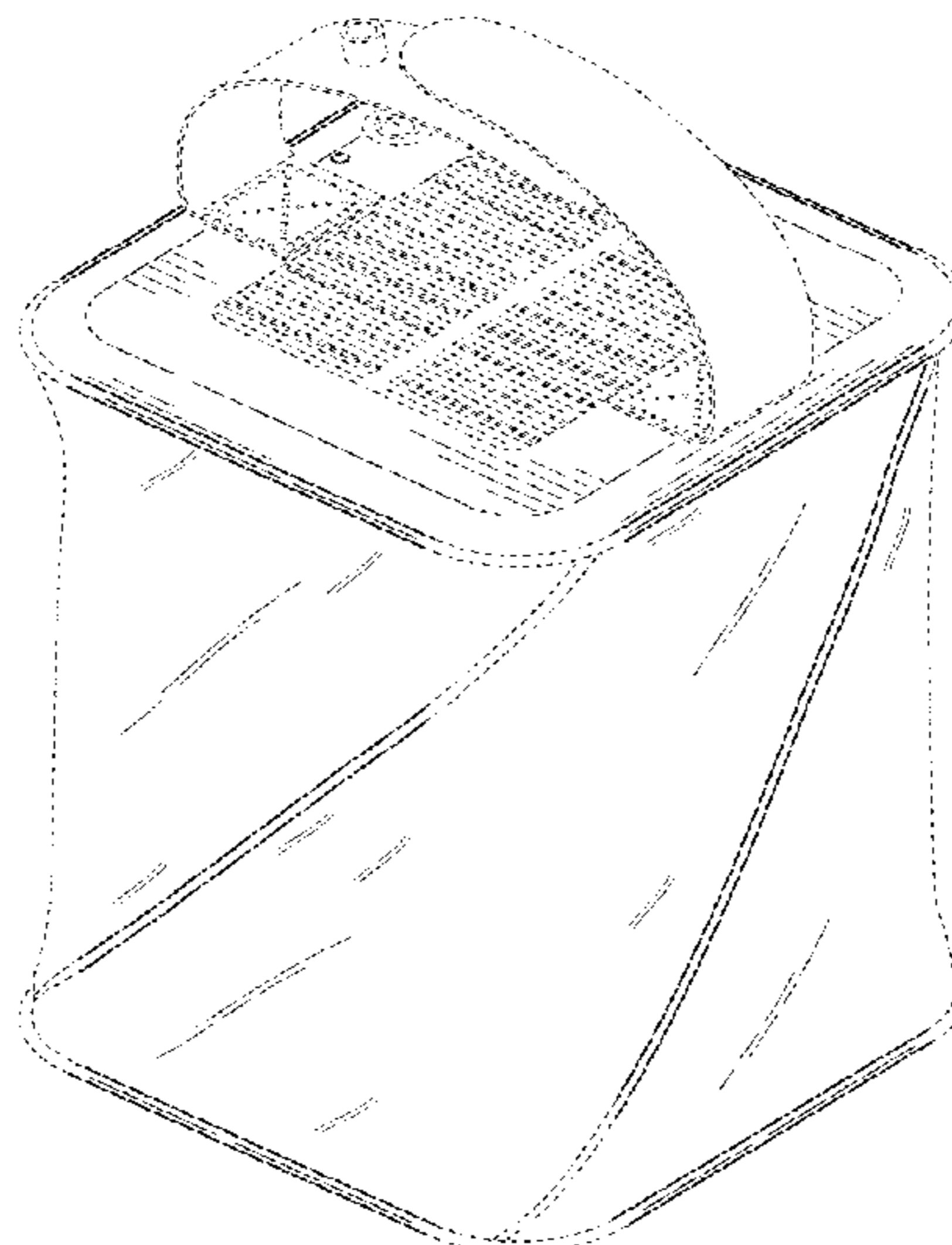
FIG. 1 is a front, left, top perspective view of an expandable light of an eight embodiment of the present invention in an expanded condition;  
FIG. 2 is a front plan view of the invention as illustrated in FIG. 1;  
FIG. 3 is a rear plan view of the invention illustrated in FIG. 1;  
FIG. 4 is a left plan view of the invention illustrated in FIG. 1;  
FIG. 5 is a right plan view of the invention illustrated in FIG. 1;  
FIG. 6 is a top plan view of the invention illustrated in FIG. 1;  
FIG. 7 is a bottom plan view of the invention illustrated in FIG. 1; and,  
FIG. 8 is a front, left, bottom perspective view of the invention illustrated in FIG. 1.

(56) **References Cited**

**U.S. PATENT DOCUMENTS**

2,245,715 A 6/1941 Rieck  
3,553,866 A 1/1971 Redford et al.  
4,243,432 A 1/1981 Jordan  
4,503,563 A 3/1985 Johnson  
4,692,557 A 9/1987 Samuelson  
4,979,339 A 12/1990 Jones et al.  
5,083,250 A 1/1992 Malcom  
5,231,781 A 8/1993 Dunbar  
5,427,258 A 6/1995 Krishnakumar et al.  
5,603,648 A 2/1997 Kea

**1 Claim, 7 Drawing Sheets**



(56)

References Cited

U.S. PATENT DOCUMENTS

5,890,794 A 4/1999 Abtahi et al.  
 5,947,581 A 9/1999 Schrimmer et al.  
 6,013,985 A 1/2000 Green et al.  
 6,018,960 A 2/2000 Parienti  
 6,027,225 A 2/2000 Martin et al.  
 6,193,392 B1 2/2001 Lodhie  
 6,200,000 B1 3/2001 Burnidge  
 6,254,247 B1 7/2001 Carson  
 6,276,815 B1 8/2001 Wu  
 6,280,344 B1 8/2001 Robb  
 6,371,637 B1 4/2002 Atchinson et al.  
 D465,874 S \* 11/2002 Garvin ..... D26/104  
 D468,037 S \* 12/2002 Jarvis ..... D26/37  
 6,499,857 B1 12/2002 Lumley  
 6,502,953 B2 1/2003 Hajianpour  
 D485,003 S \* 1/2004 Olson ..... D26/104  
 7,318,656 B1 1/2008 Merine  
 7,322,137 B2 1/2008 Machala  
 7,377,667 B2 5/2008 Richmond  
 7,458,698 B2 12/2008 Heathcock  
 7,500,746 B1 3/2009 Howell et al.  
 7,690,812 B2 4/2010 Roberts et al.  
 7,699,495 B2 4/2010 Au  
 D617,925 S \* 6/2010 Coushaine ..... D26/37  
 7,753,576 B2 7/2010 Marcinkewicz et al.  
 D627,090 S \* 11/2010 Sanoner ..... D26/40  
 7,825,325 B2 11/2010 Kennedy et al.  
 7,857,490 B1 12/2010 Fett et al.  
 D639,494 S \* 6/2011 Schrimmer ..... D26/104  
 8,011,816 B1 9/2011 Janda  
 D694,445 S \* 11/2013 Shiu ..... D26/40  
 D699,376 S \* 2/2014 Kim ..... D26/37  
 D706,968 S \* 6/2014 McDonough ..... D26/41  
 8,845,126 B1 9/2014 Martzall  
 9,016,886 B2 4/2015 Snyder  
 D728,835 S \* 5/2015 Metlen ..... D26/41  
 D728,836 S \* 5/2015 Metlen ..... D26/41  
 9,022,614 B2 5/2015 Chin-Huan  
 D738,553 S \* 9/2015 Fletcher ..... D26/41  
 D741,530 S \* 10/2015 Snyder ..... D26/41  
 D745,988 S \* 12/2015 Ahn ..... D26/38  
 9,200,770 B2 12/2015 Chun  
 9,347,629 B2 5/2016 Stork et al.  
 D759,869 S \* 6/2016 Huang ..... D26/41  
 D775,390 S \* 12/2016 Zimmer ..... D26/39  
 D777,362 S \* 1/2017 Killion ..... D26/46  
 D778,474 S \* 2/2017 Scazziga ..... D26/37  
 2002/0085329 A1 7/2002 Lee  
 2003/0169590 A1 9/2003 Sorli et al.  
 2004/0130888 A1 7/2004 Twardawski  
 2005/0002188 A1 1/2005 Bucher et al.  
 2005/0007773 A1 1/2005 Shirataki et al.  
 2005/0261091 A1 11/2005 Buschfort  
 2005/0265029 A1 12/2005 Epstein et al.  
 2006/0108612 A1 5/2006 Richmond  
 2006/0193126 A1 8/2006 Kuelbs et al.  
 2006/0221595 A1 10/2006 Payne  
 2006/0279956 A1 12/2006 Richmond  
 2006/0291217 A1 12/2006 Vanderschuit  
 2007/0014125 A1 1/2007 Chu  
 2007/0091594 A1 4/2007 Soon  
 2007/0109772 A1 5/2007 Chang  
 2007/0147063 A1 6/2007 Collomb et al.  
 2007/0183143 A1 9/2007 Allsop et al.  
 2008/0013317 A1 1/2008 Hinds  
 2008/0032589 A1 2/2008 Sun  
 2008/0130272 A1 6/2008 Waters  
 2008/0175005 A1 7/2008 Kellmann et al.  
 2008/0175006 A1 7/2008 Kellmann et al.  
 2008/0273319 A1 11/2008 VanderSchuit  
 2008/0311820 A1 12/2008 Murdock  
 2009/0053946 A1 2/2009 Ashby  
 2009/0133636 A1 5/2009 Richmond  
 2009/0141491 A1 6/2009 Chu  
 2009/0175029 A1 7/2009 Chiang

2009/0268439 A1 10/2009 Chen  
 2009/0269045 A1 10/2009 Astill  
 2009/0322495 A1 12/2009 Richmond  
 2010/0286910 A1 11/2010 Hudson  
 2010/0308005 A1 12/2010 Callanan  
 2011/0018439 A1 1/2011 Fabbri et al.  
 2011/0118062 A1 5/2011 Krysiak et al.  
 2012/0069554 A1 3/2012 Toya  
 2012/0120642 A1 5/2012 Sreshta et al.  
 2012/0134143 A1 5/2012 Lederer et al.  
 2012/0193660 A1 8/2012 Donofrio et al.  
 2012/0200235 A1 8/2012 Shuy et al.  
 2012/0224359 A1 9/2012 Chun  
 2013/0107506 A1 5/2013 Mustafa  
 2013/0187569 A1 7/2013 Chin-Huan  
 2013/0335953 A1 12/2013 Gold et al.  
 2014/0003037 A1 1/2014 Kuelzow et al.  
 2014/0049942 A1 2/2014 Chilton et al.  
 2014/0118997 A1 5/2014 Snyder  
 2014/0146525 A1 5/2014 Lueptow  
 2015/0036325 A1 2/2015 Cohen  
 2015/0219294 A1 8/2015 Sreshta et al.  
 2016/0341380 A1 11/2016 Stork et al.  
 2017/0211760 A9 7/2017 Sreshta et al.  
 2017/0234493 A1 8/2017 Stork et al.

FOREIGN PATENT DOCUMENTS

CN 101576204 11/2009  
 CN 101690402 3/2010  
 CN 101886746 11/2010  
 CN 201715273 1/2011  
 CN 102116415 7/2011  
 CN 102379502 3/2012  
 CN 102403929 4/2012  
 CN 202203682 4/2012  
 CN 202511013 10/2012  
 CN 202884514 4/2013  
 CN 302782955 6/2013  
 CN 203215307 9/2013  
 CN 203489018 3/2014  
 DE 20209138 9/2002  
 DE 10 2006 022185 11/2007  
 EP 002289363-0001 8/2013  
 JP 2000057808 2/2000  
 JP 2006047829 2/2006  
 JP 2006201307 8/2006  
 JP 2009278763 11/2009  
 WO WO 2001/83067 11/2001  
 WO WO 2006/070724 6/2006

OTHER PUBLICATIONS

'bbc.com' [online]. "Lantern shines light on disasters," available on or before Feb. 29, 2012, via Internet Archive: Wayback Machine URL <<https://web.archive.org/web/20120229073911/http://www.bbc.com/future/story/20120207-lantern-shines-light-on-disasters>>, URL:<<http://www.bbc.com/future/story/20120207-lantern-shines-light-on-disasters>>, 2 pages.  
 Boyd, "Luminad Shining a light on disasters," Published on Feb. 14, 2012, [retrieved on Mar. 1, 2019], retrieved from the Internet: URL:<<https://www.bbc.com/future/story/20120207-lantern-shines-light-on-disasters>>. 11 page.  
 European Communication of Notice of Opposition, in European Application No. 12875772.1, dated. Jan. 18, 2019, 23 pages.  
 Exhibit documents from IPR2018-01524, filed Aug. 8, 2018, 2132 pages.  
 'Indiegogo.com' [online]. "LuminAID: An Inflatable Solar Light, Story" Published on Feb. 15, 2012, retrieved from the Internet: URL:<<https://www.indiegogo.com/projects/luminaid-an-inflatable-solar-light--3#/updates/all>>. 1 page.  
 'Indiegogo.com' [online]. "LuminAID: An Inflatable Solar Light, Updates" Published on Feb. 15, 2012, retrieved from the Internet: URL:<<https://www.indiegogo.com/projects/luminaid-an-inflatable-solar-light--3#/updates/all>>. 1 page.



(56)

**References Cited**

## OTHER PUBLICATIONS

Korean Office Action in Korean Application No. 10-2014-7033620, dated Sep. 27, 2018, 14 pages, English Translation.

Korosec, "An Inflatable Solar light for Disaster Relief (or Camping)," [online]. Published on Nov. 17, 2011, [retrieved on Dec. 18, 2018], retrieved from the Internet: URL:<<https://www.zdnet.com/article/an-inflatable-solar-light-for-distaster-relief-or-camping/>>. 11 pages.

'luminaidlab.com' [online]. "LuminAID The World's First Inflatable Solar Light," available on or before Jan. 21, 2012, via Internet Archive: Wayback Machine URL <<https://web.archive.org/web/20120121014311/http://luminaidiab.com:80/blog/>>, URL<<http://luminaidiab.com:80/blog/>>, 6 pages.

*Mpowerd Inc. v. LuminAID Lab, LLC*, IPR2018-01524, "Petition for Inter Partes Review of U.S. Pat. No. 9,347,629", dated Aug. 8, 2018, 71 pages.

Piejko, "LuminAID solar-powered inflatable lantern—simply a good idea," Published on Nov. 15, 2011, [retrieved on Dec. 14, 2018], retrieved from the Internet: URL:<<https://newatlas.com/luminaid-solar-powered-lamp/20501/>>. 2 pages.

Australian Office Action in Australian Application No. 2017200735, dated Feb. 12, 2018, 3 pages.

Chinese Second Office Action in Chinese Application No. 201288072931.1, dated Feb. 26, 2018, 12 pages, with English Translation.

Cumberbatch et al, "Self-Assembled Solar Lighting Systems", Oct. 11, 2009, Proc.ISES Solar World Congress, pp. 1-10.

D Light Kiran Lantern, [www.dlightdesign.com/products](http://www.dlightdesign.com/products), printed Jun. 15, 2011.

D Light Nova S100, Nova Series, [www.dlightdesign.com/products](http://www.dlightdesign.com/products), printed Jun. 15, 2011.

European Search Report dated Sep. 23, 2015, European Pat. Appl. No. 13851862.6, pp. 1-5.

European Search Report in European application No. 12875772 dated Nov. 11, 2015, 8 pages.

Floating Solar Pool Light, [www.brandsonsale.com](http://www.brandsonsale.com), printed Jun. 16, 2011.

Goering Laurie, Blow-up solar lantern lights up Haiti's prospects, Thomson Reuters Foundation, Jun. 22, 2012, <http://www.trust.org/item/20120622150100-k9yos/>, 11 pages.

International Search Report and The Written Opinion of the International Searching Authority, International Application No. PCT/US2012/061848, filed Jan. 8, 2013.

International Search Report for International Application No. PCT/US14/10246, dated Aug. 27, 2014.

International Search Report for International Application No. PCT/US2016/014222, dated Apr. 8, 2016 (2 pages).

Jonsson, J. Project Soul Cell, YouTube, Oct. 28, 2009 (1 page). Retrieved from the Internet: <URL:<<https://www.youtube.com/watch?v=DG7lkGUUr4M>>>.

Lichauco De Leon, "Sunlight-powered 'bulbs' made from plastic bottles light up homes." The Guardian, Dec. 23, 2011, p. 1-2, Retrieved from the Internet: <URL:<<https://www.theguardian.com/environment/2011/dec/23/sunlight-bulbs-plastic-bottles-light>>>.

Mini-BoGo Flashlight, [www.bogolight.com/productdetails](http://www.bogolight.com/productdetails), printed Jun. 16, 2011.

Nonfinal Office Action, U.S. Appl. No. 13/163,239, dated Apr. 24, 2015.

Nonfinal Office Action, U.S. Appl. No. 13/450,974, dated Mar. 17, 2015.

Nonfinal office action, U.S. Appl. No. 13/163,239, dated Jun. 5, 2013.

Nonfinal Office Action, U.S. Appl. No. 14/643,519, dated Jul. 6, 2015.

Office Action in Australian Application No. 2012378999, dated Dec. 19, 2016, 4 pages.

Office Action in European Application No. 12875772.1, dated Mar. 31, 2017, 6 pages.

Office Action in European Application No. 12875772.1, dated Nov. 7, 2016, 5 pages.

Office Action in Japanese Application No. 2015510245, dated Jul. 26, 2016, 5 pages (English translation).

Oskay, W., 'Simple Solar Circuits' [Viewed on internet on Dec. 19, 2016], <http://www.evilmadscientist.com/2008/simple-solar-circuits/>, Published Oct. 22, 2008, 13 pages.

Patent Evaluation Report for Chinese Patent Application No. ZL201320570977.8, dated Feb. 26, 2014.

Portable Light Project, <http://portablelight.org>, printed Jun. 16, 2011.

Sreshta, Andrea M., et al., Solar-Powered Inflatable Light, Kauffman Innovation Network, Inc., Copyright 2011, [www.ibridgenetwork.org/columbia](http://www.ibridgenetwork.org/columbia), printed Jun. 16, 2011.

\* cited by examiner

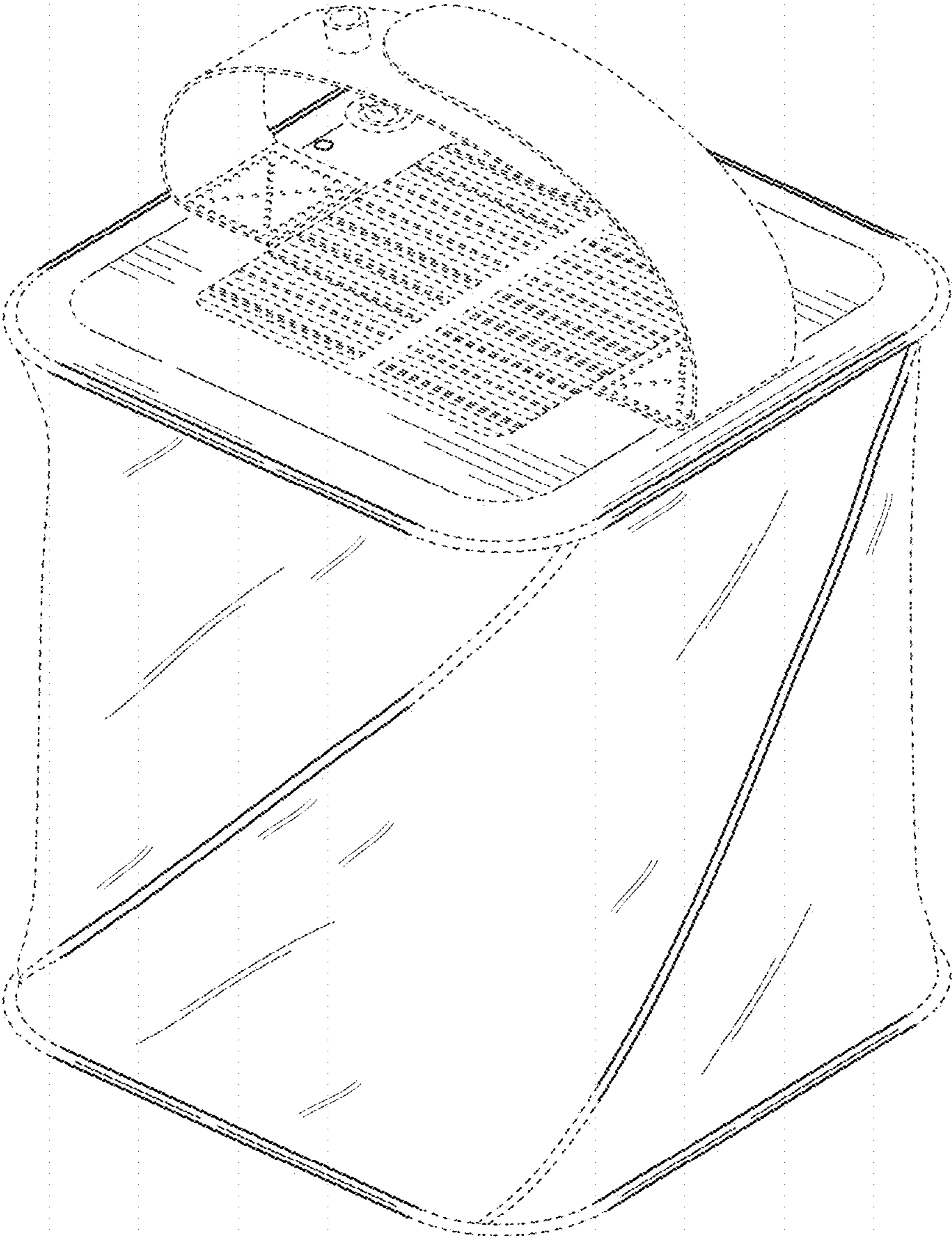


FIG. 1

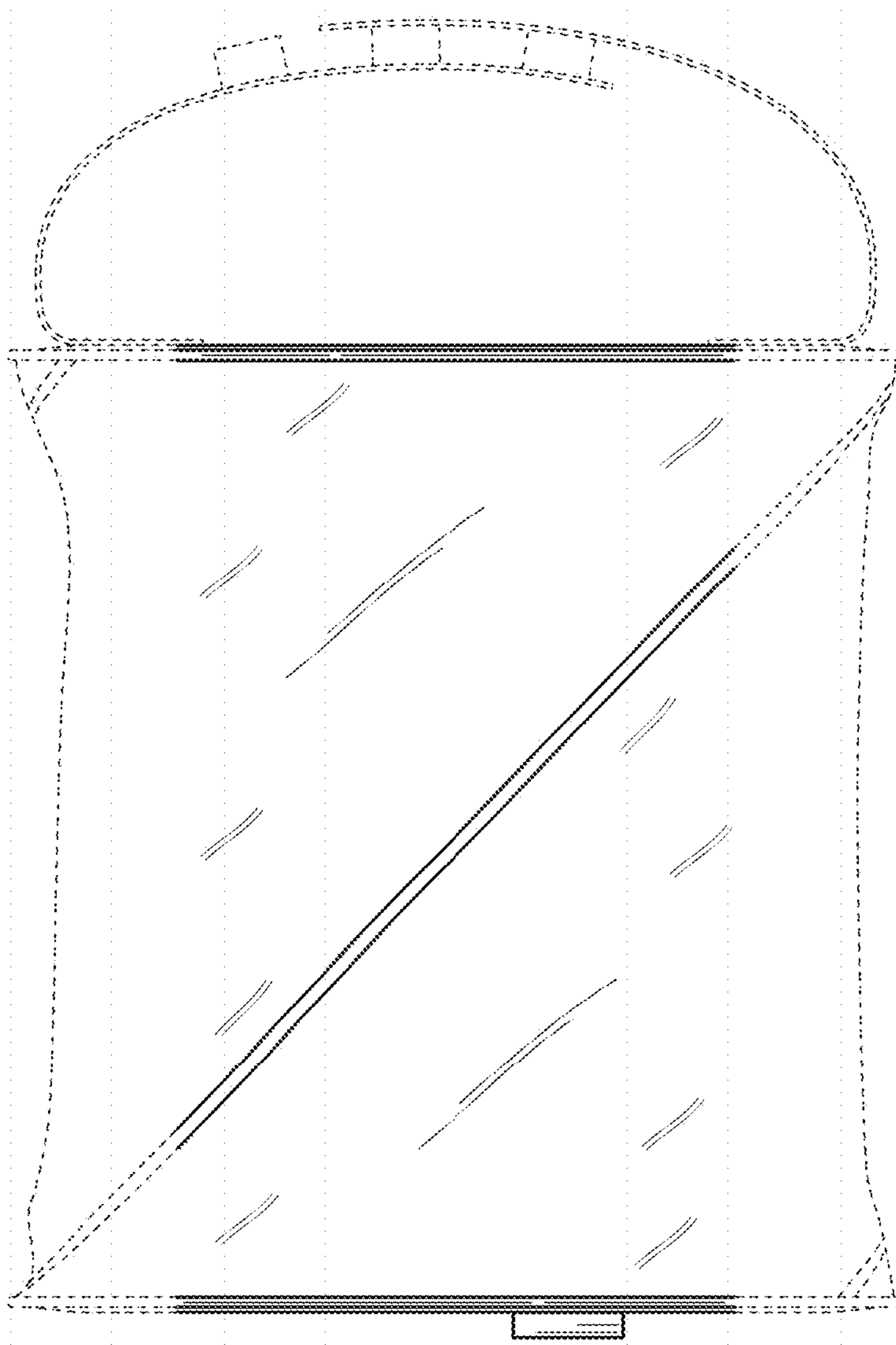


FIG. 2

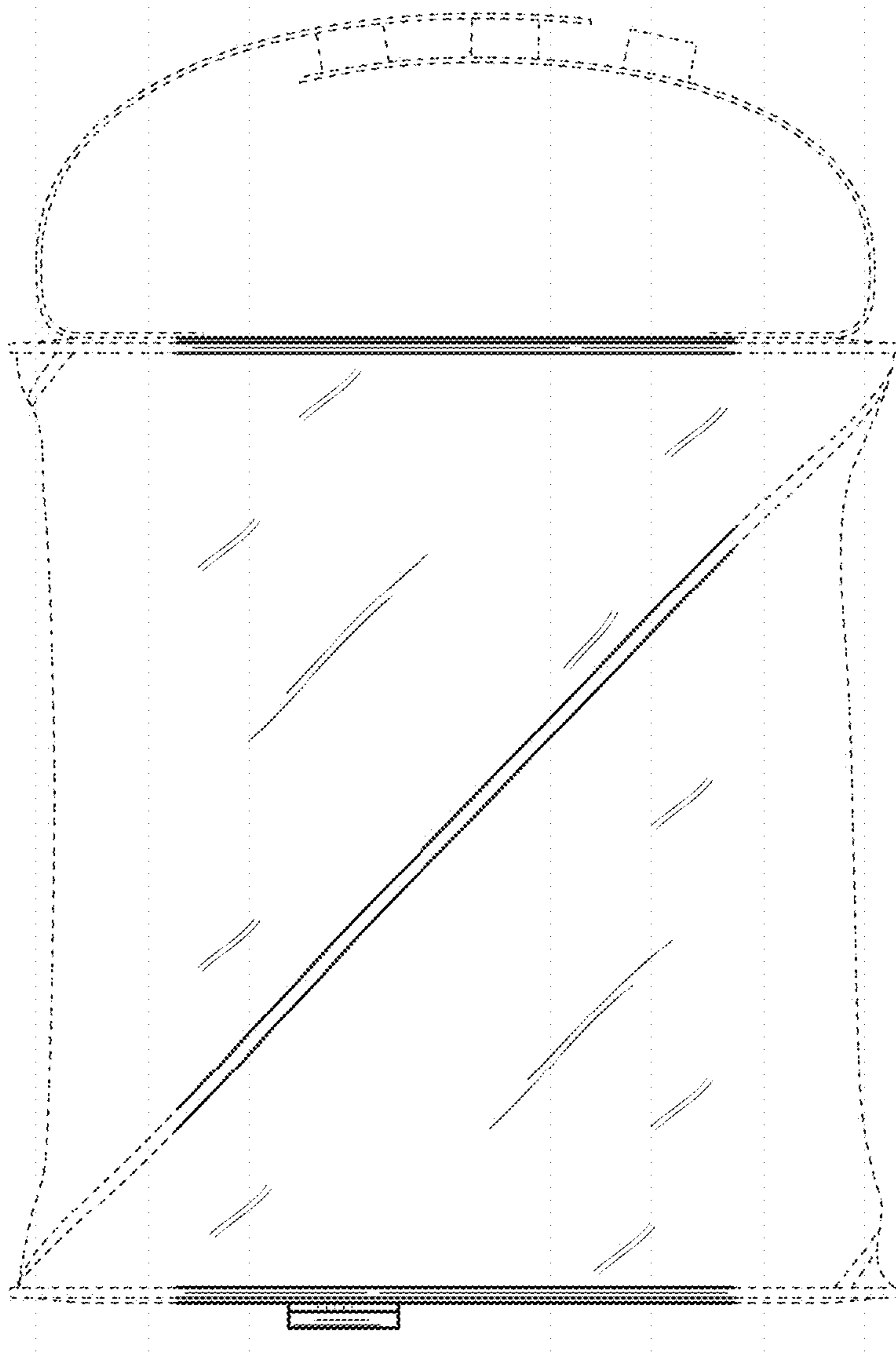


FIG. 3

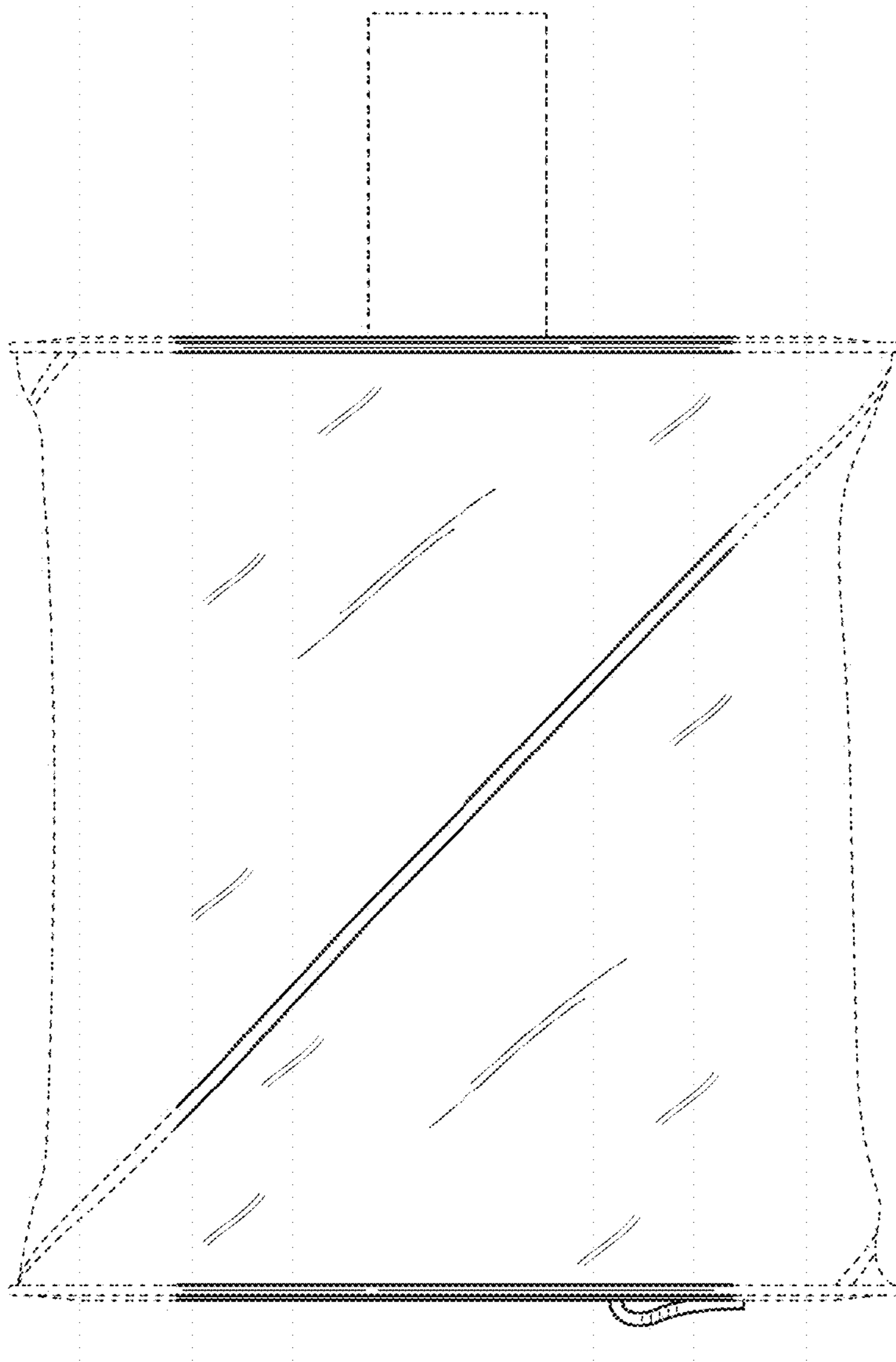


FIG. 4



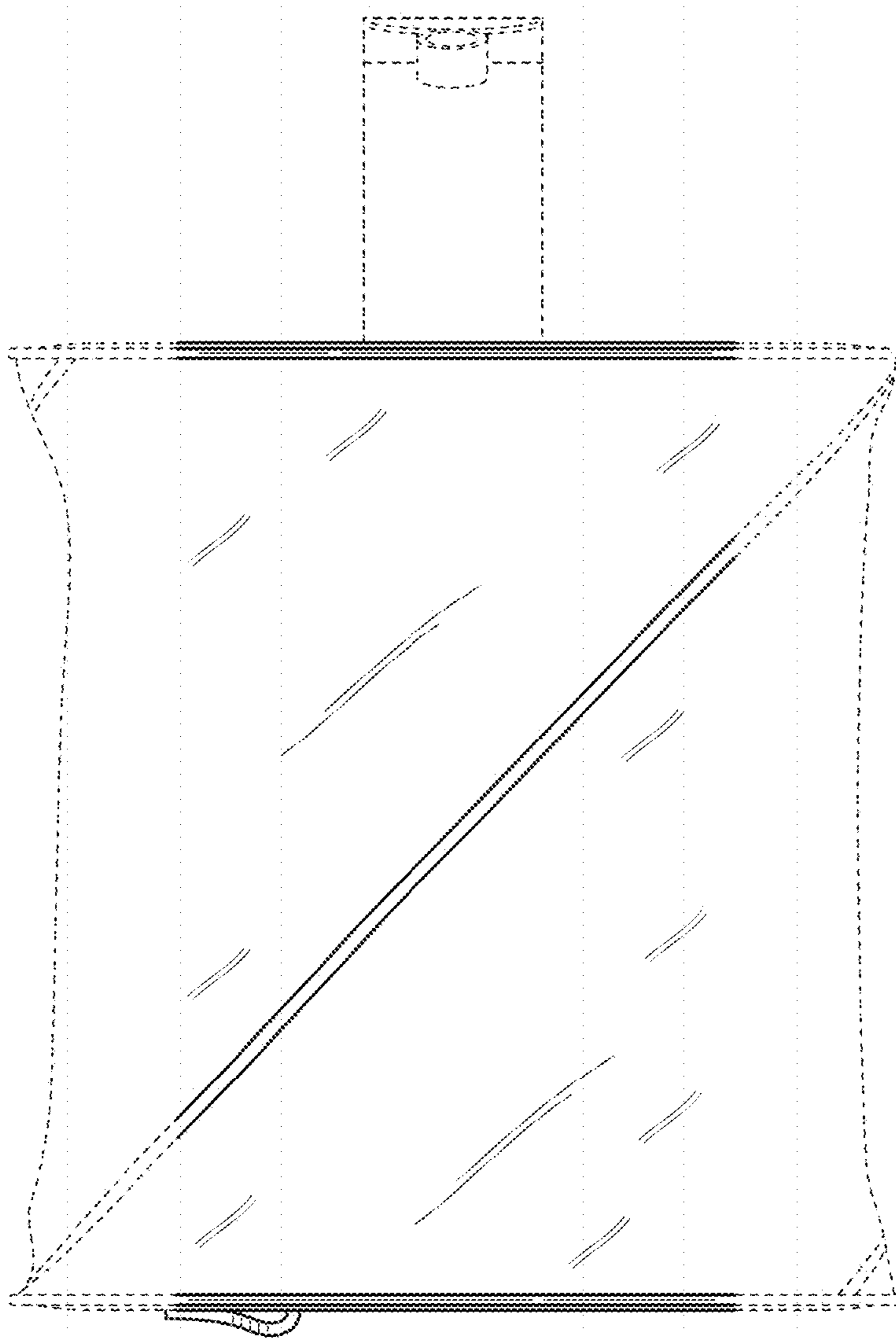


FIG. 5



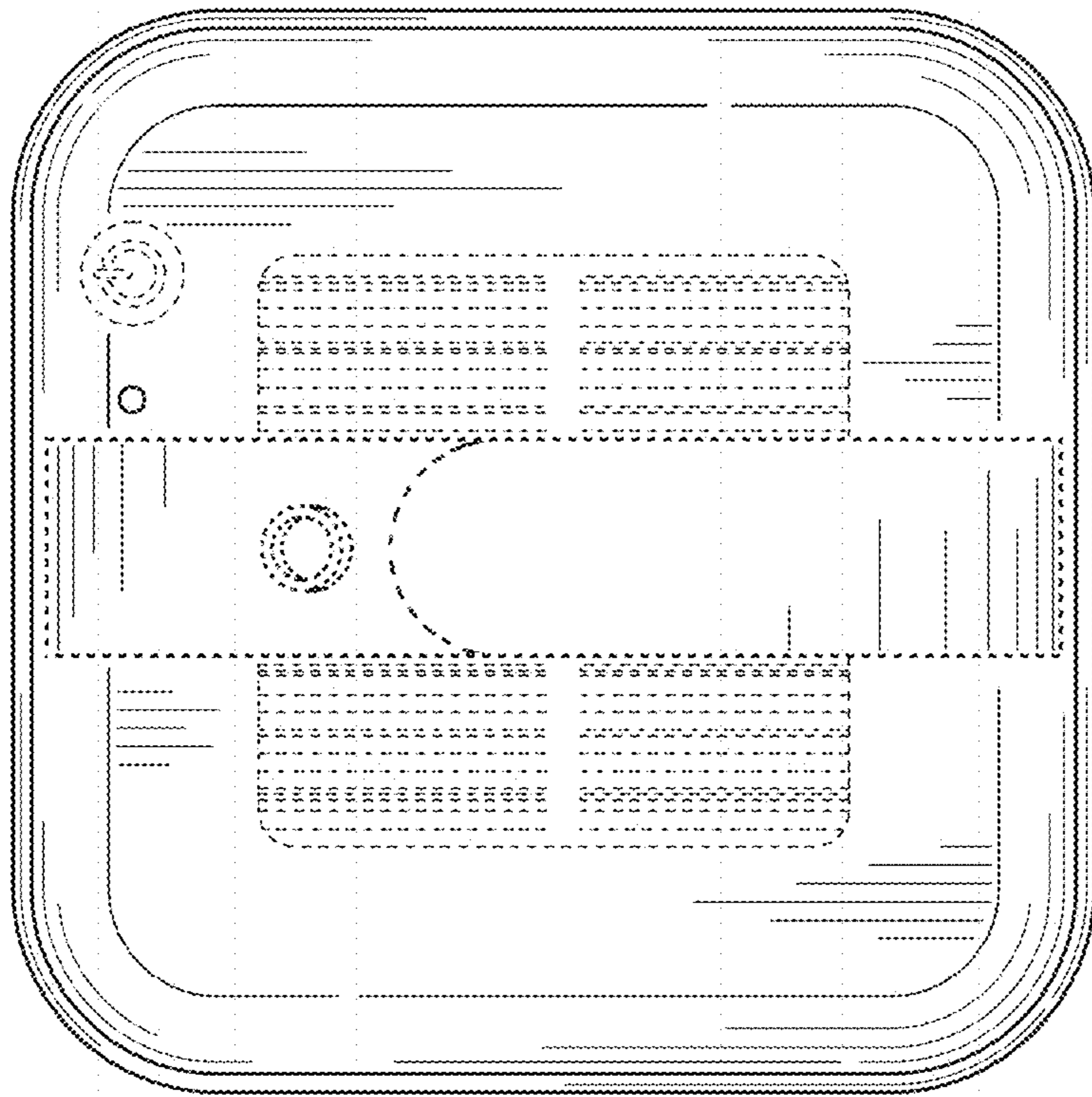


FIG. 6

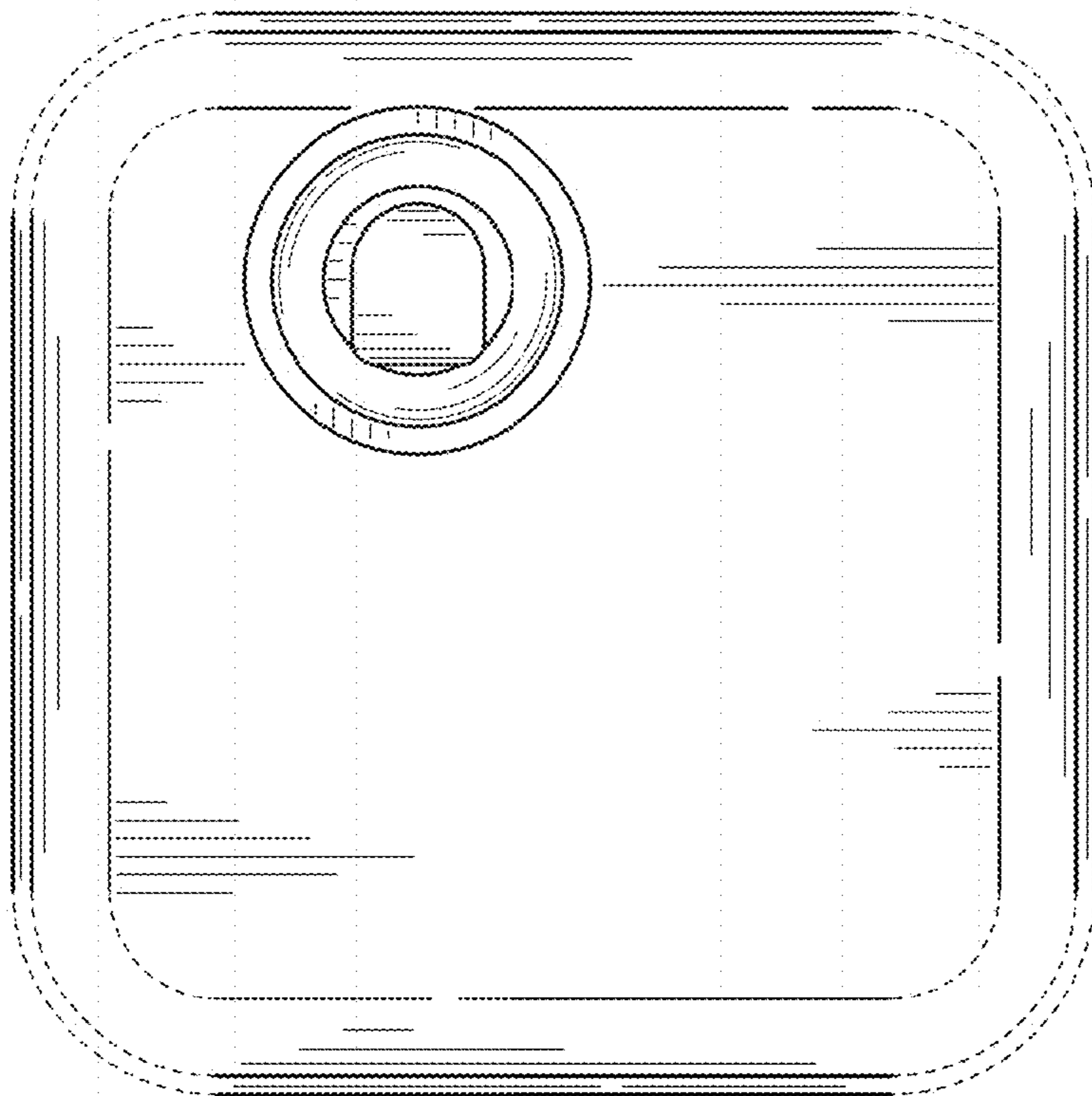


FIG. 7

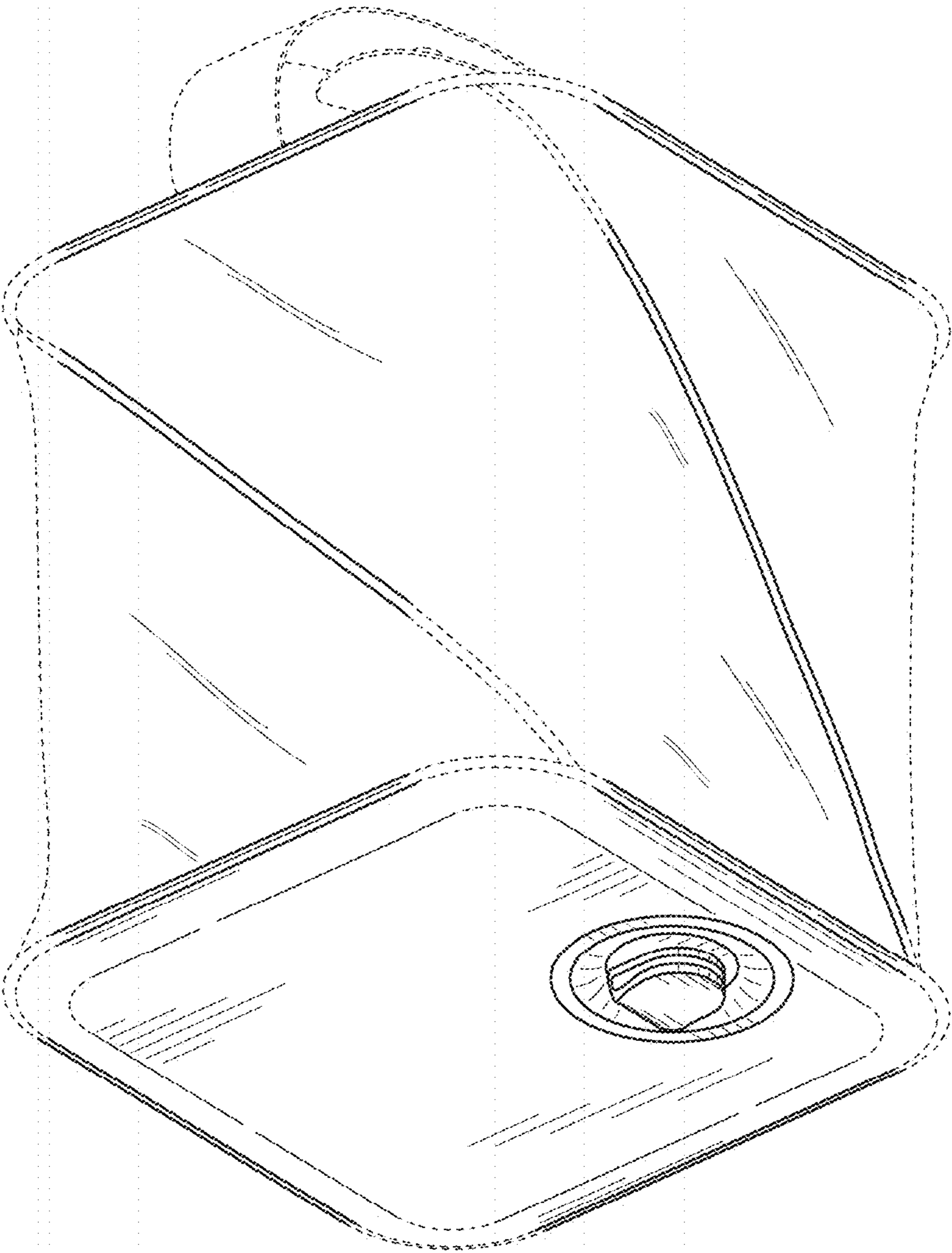


FIG. 8