



US00D932077S

(12) **United States Design Patent** (10) **Patent No.:** **US D932,077 S**
Green et al. (45) **Date of Patent:** **** Sep. 28, 2021**

- (54) **WORK LIGHT**
- (71) Applicant: **Home Depot Product Authority, LLC**,
Atlanta, GA (US)
- (72) Inventors: **Adam Green**, Marietta, GA (US);
Bernard Scott, II, Lawrenceville, GA
(US)
- (73) Assignee: **Home Depot Product Authority, LLC**,
Atlanta, GA (US)
- (**) Term: **15 Years**
- (21) Appl. No.: **29/738,394**
- (22) Filed: **Jun. 17, 2020**

D530,843 S *	10/2006	Yamamoto	D26/42
D538,457 S *	3/2007	Kovacik	D26/42
D541,962 S *	5/2007	Bayat	D26/42
D543,301 S *	5/2007	Chen	D26/42
D545,469 S *	6/2007	Wikle	D26/42
D556,926 S *	12/2007	Thirouin	D26/37
D593,695 S *	6/2009	Levine	D26/42
D596,326 S *	7/2009	Jiang	D26/42
D626,673 S *	11/2010	Kovacik	D26/42
D647,651 S *	10/2011	Leen	D26/42
D648,054 S *	11/2011	Zhuang	D26/37
D656,645 S *	3/2012	Houghton	D26/42
D661,417 S *	6/2012	Kung	D26/42
D684,283 S *	6/2013	Zhou	D26/49
D689,640 S *	9/2013	Leen	D26/44
D691,310 S *	10/2013	Zhou	D26/37
D703,356 S *	4/2014	Grandadam	D26/44
D708,376 S *	7/2014	Crowe	D26/37
D721,841 S	1/2015	Kwon	

(Continued)

Related U.S. Application Data

- (63) Continuation of application No. 29/637,852, filed on
Feb. 22, 2018, now Pat. No. Des. 889,714.

- (51) **LOC (13) Cl.** **26-02**
- (52) **U.S. Cl.**
USPC **D26/37**

- (58) **Field of Classification Search**
USPC D26/37-51
CPC F21L 2003/00; F21L 4/005; F21L 4/025;
F21L 4/027; F21L 4/04; F21L 4/08; F21L
13/00; F21L 13/08; F21L 14/02; F21L
19/00; F21L 2/00; F21L 4/00-4/085;
F21L 15/00-15/14; F21L 2001/00; F21L
2005/00; F21L 25/00
See application file for complete search history.

(56) **References Cited**

U.S. PATENT DOCUMENTS

D501,688 S *	2/2005	Kovacik	D26/42
D505,217 S *	5/2005	Bayat	D26/42
D515,721 S *	2/2006	Lin	D26/44
D523,577 S *	6/2006	Bayat	D26/42

Primary Examiner — Michelle E. Wilson

(74) *Attorney, Agent, or Firm* — Greenberg Traurig, LLP

(57) **CLAIM**

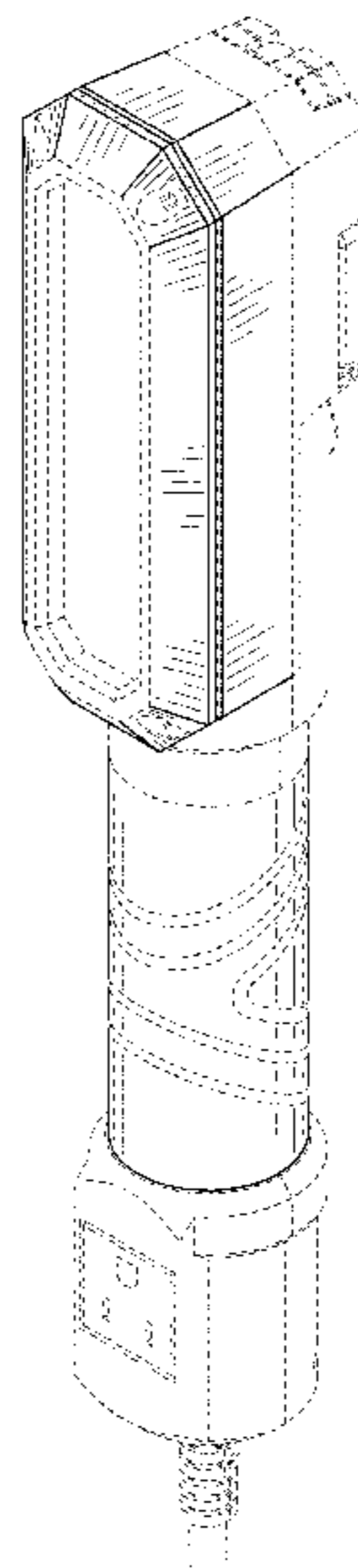
We claim the ornamental design for a work light, as shown and described.

DESCRIPTION

FIG. 1 is a front perspective view of our work light;
 FIG. 2 is a front view thereof;
 FIG. 3 is a rear view thereof;
 FIG. 4 is a left side view thereof;
 FIG. 5 is a right side view thereof;
 FIG. 6 is a top view thereof; and,
 FIG. 7 is a bottom view thereof.

The dashed lines in the figures show portions of the work light which form no part of the claimed design. All other surface(s) or portion(s) of our designs not shown in the figures or otherwise described in the specification form no part of the claimed design.

1 Claim, 4 Drawing Sheets



(56)

References Cited

U.S. PATENT DOCUMENTS

D742,568 S	11/2015	Abernethy	
D752,792 S	3/2016	Grandadam	
D757,971 S	5/2016	Kovacik	
D760,927 S	7/2016	Bao	
D791,379 S *	7/2017	Koshiba	D26/37
D803,444 S	11/2017	Green	
D809,169 S	1/2018	Grandadam	
D810,335 S	2/2018	Levy	
D821,007 S	6/2018	Chen	
D859,712 S *	9/2019	Kaye	D26/42
D878,650 S *	3/2020	Grandadam	D26/42
D891,662 S *	7/2020	Poffler	D26/46

* cited by examiner

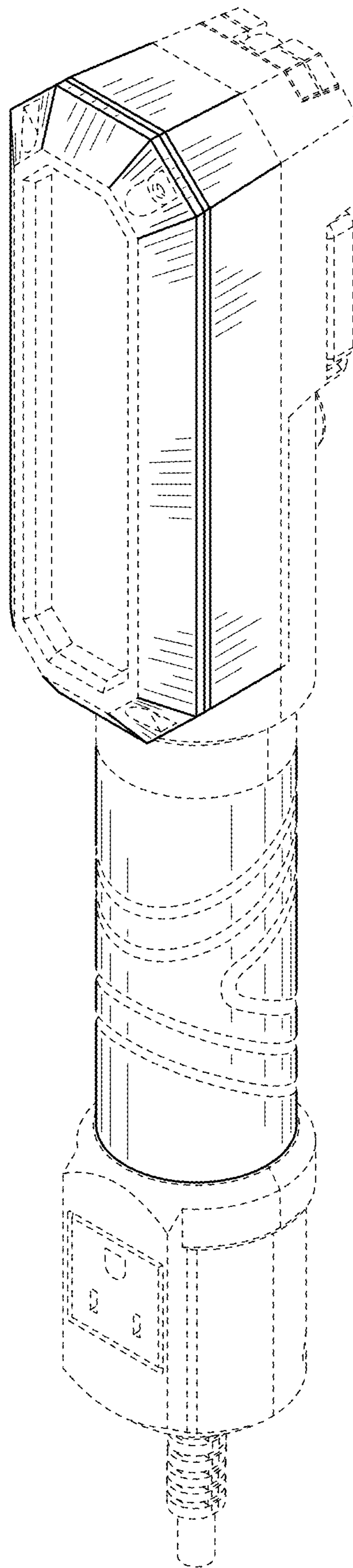


FIG. 1

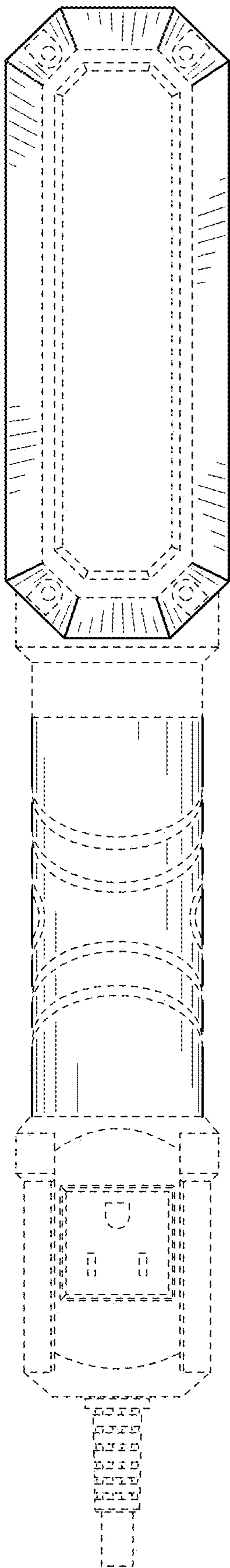


FIG. 2

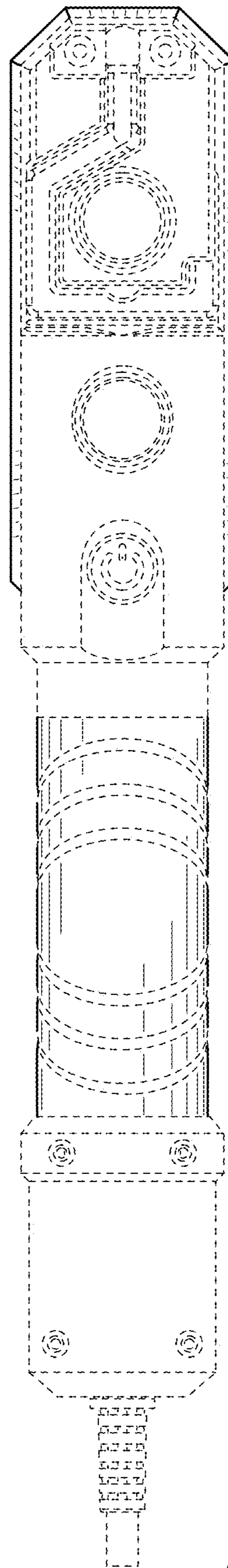


FIG. 3

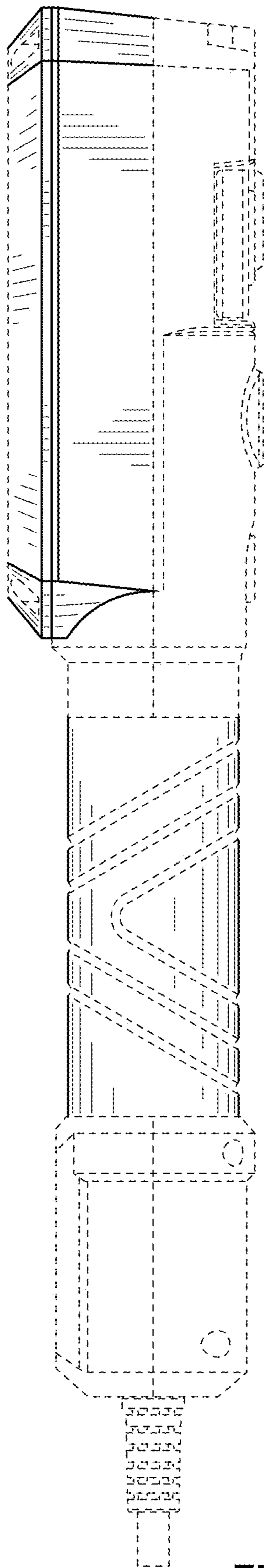


FIG. 4

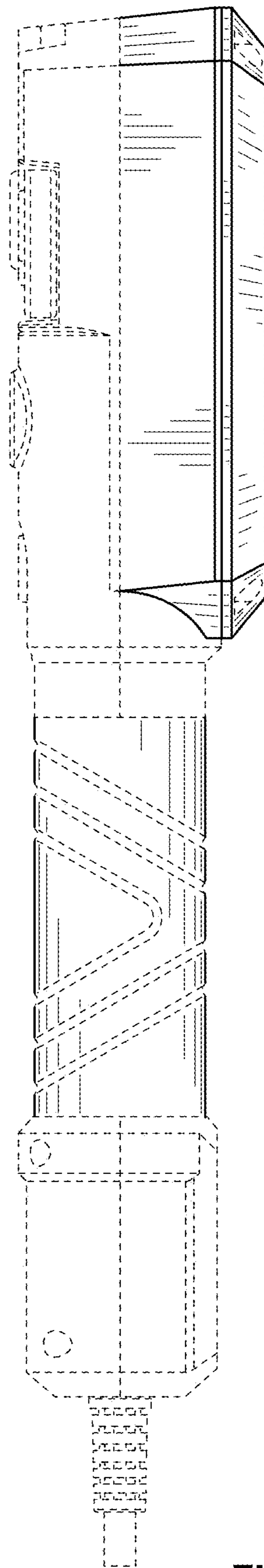


FIG. 5

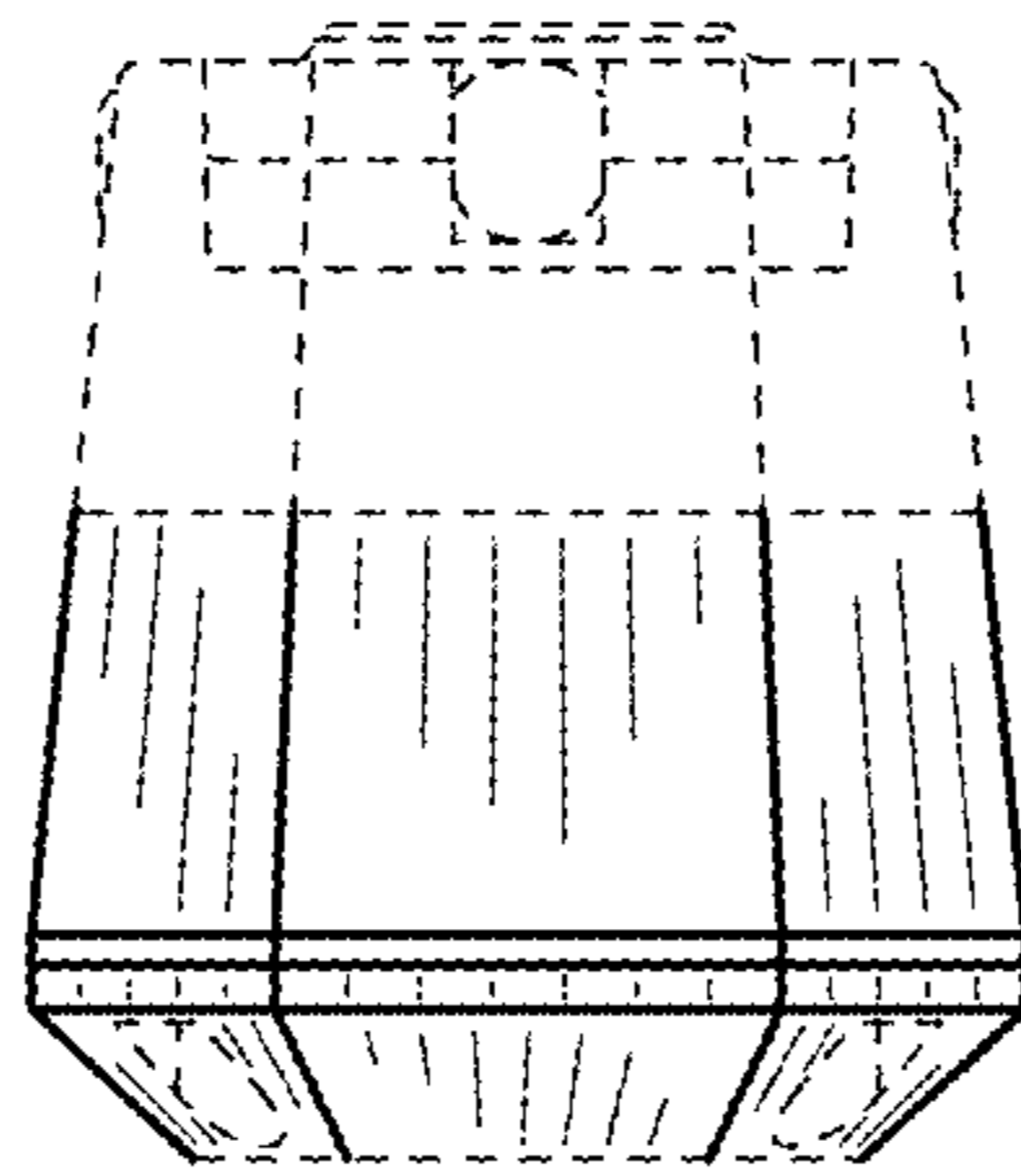


FIG. 6

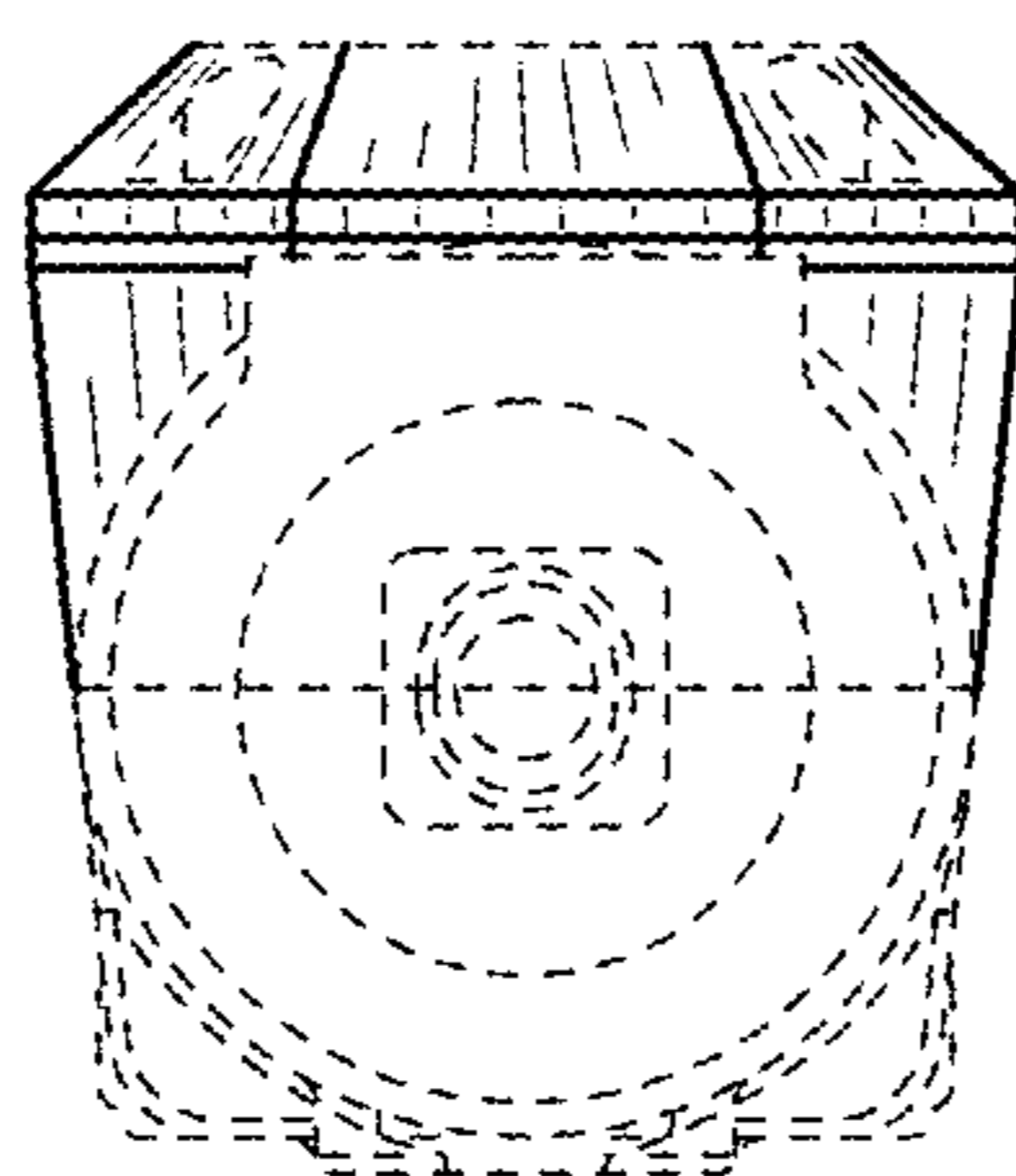


FIG. 7