



US00D932076S

(12) **United States Design Patent** (10) **Patent No.:** **US D932,076 S**
Green et al. (45) **Date of Patent:** **** Sep. 28, 2021**

- (54) **WORK LIGHT**
- (71) Applicant: **Home Depot Product Authority, LLC**,
Atlanta, GA (US)
- (72) Inventors: **Adam Green**, Marietta, GA (US);
Bernard Scott, II, Lawrenceville, GA
(US)
- (73) Assignee: **Home Depot Product Authority, LLC**,
Atlanta, GA (US)
- (**) Term: **15 Years**
- (21) Appl. No.: **29/733,608**
- (22) Filed: **May 5, 2020**

Related U.S. Application Data

- (63) Continuation of application No. 29/637,859, filed on
Feb. 22, 2018, now Pat. No. Des. 889,711.
- (51) **LOC (13) Cl.** **26-02**
- (52) **U.S. Cl.**
USPC **D26/37**
- (58) **Field of Classification Search**
USPC D26/37-51
CPC F21L 2003/00; F21L 4/005; F21L 4/025;
F21L 4/027; F21L 4/04; F21L 4/08; F21L
13/00; F21L 13/08; F21L 14/02; F21L
19/00; F21L 2/00; F21L 4/00-4/085;
F21L 15/00-15/14; F21L 2001/00; F21L
2005/00; F21L 25/00
See application file for complete search history.

(56) **References Cited**
U.S. PATENT DOCUMENTS

- D332,839 S 1/1993 Beckner, Jr.
- D361,396 S 8/1995 Bruckler
- D361,633 S 8/1995 Chabria

- D553,276 S * 10/2007 Campbell D26/37
- D576,326 S 9/2008 Lee
- D603,080 S * 10/2009 Benensohn D26/61
- D613,437 S * 4/2010 Chan D26/38
- D632,830 S * 2/2011 Sekowski D26/118
- D703,355 S * 4/2014 Kotsis D26/37
- D713,076 S * 9/2014 von Waldthausen D26/37
- D747,263 S 1/2016 Lafferty
- D753,856 S * 4/2016 Iwaki D26/37
- D758,299 S 6/2016 Lafferty
- D760,414 S * 6/2016 Brown D26/37
- D766,477 S * 9/2016 Ma D26/37
- D768,897 S 10/2016 Cooper
- D779,694 S * 2/2017 Crowe D26/50
- D787,728 S 5/2017 Wing et al.
- D805,666 S 12/2017 Nguyen et al.
- D806,294 S 12/2017 Nguyen et al.
- D808,555 S * 1/2018 Inskeep D26/41
- D821,007 S 6/2018 Chen
- D835,327 S * 12/2018 Li D26/89
- D836,064 S 12/2018 Liu
- D846,780 S * 4/2019 Reiser D26/37

(Continued)

Primary Examiner — Michelle E. Wilson
(74) *Attorney, Agent, or Firm* — Greenberg Traurig, LLP

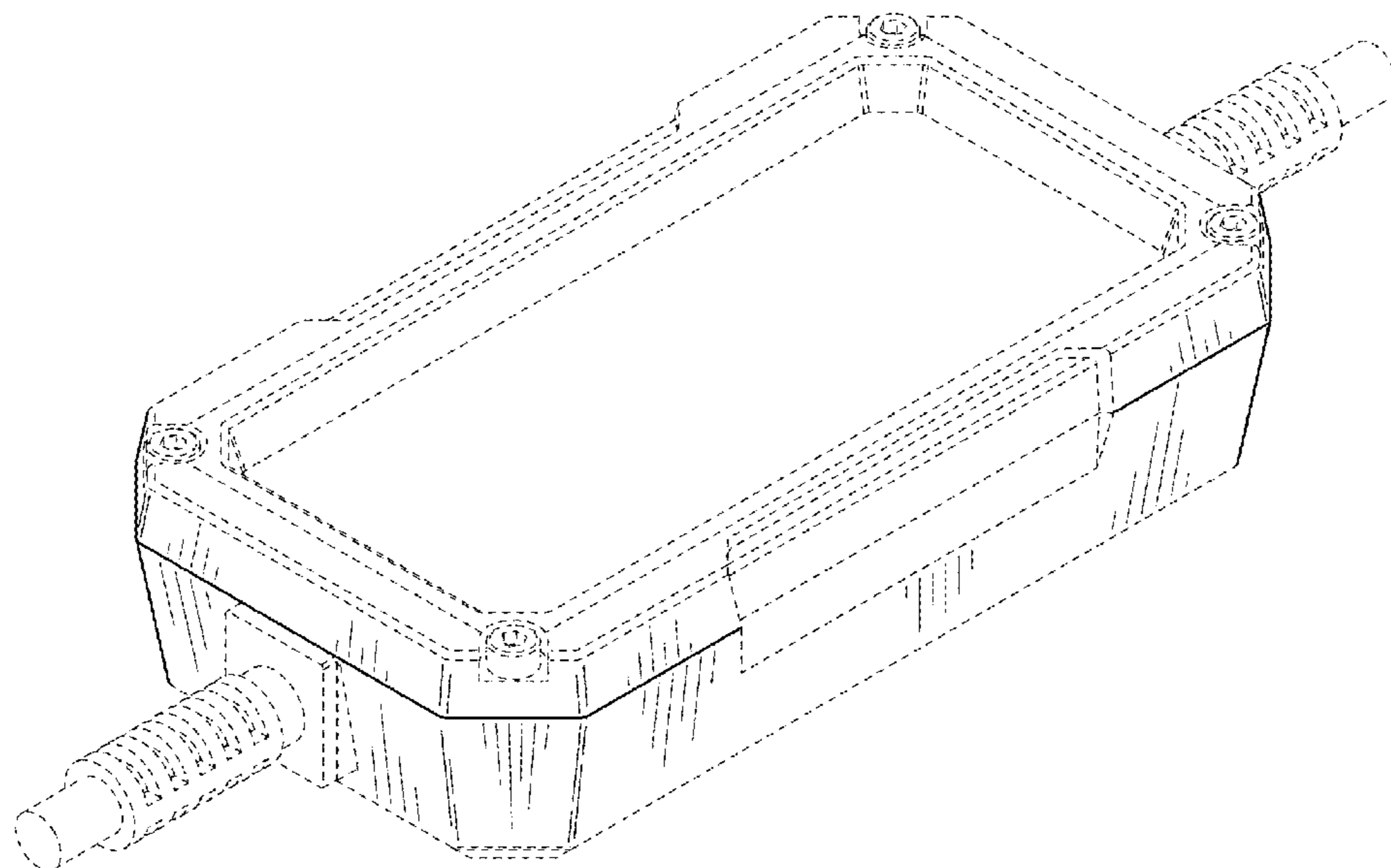
(57) **CLAIM**

We claim the ornamental design for a work light, as shown and described.

DESCRIPTION

FIG. 1 is a front perspective view of our work light; FIG. 2 is a rear perspective view thereof; FIG. 3 is a front view thereof, the rear view being a mirror image thereof; FIG. 4 is a left side view thereof, the right side being a mirror image thereof; FIG. 5 is a top view thereof; and, FIG. 6 is a bottom view thereof. The dashed lines in the figures represent portions of the work light which form no part of the claimed design.

1 Claim, 4 Drawing Sheets



(56)

References Cited

U.S. PATENT DOCUMENTS

D850,685	S	*	6/2019	Inskip	D26/51
D851,586	S	*	6/2019	Liu	D13/108
D858,831	S	*	9/2019	Proeber	D26/37
D858,833	S	*	9/2019	Cooper	D26/43
D861,209	S	*	9/2019	Cooper	D26/37
D863,632	S	*	10/2019	Cacciabeve	D26/37
D867,985	S	*	11/2019	Nook	D13/107
D872,331	S	*	1/2020	Smith	D26/39
D875,284	S	*	2/2020	Cacciabeve	D26/37

* cited by examiner

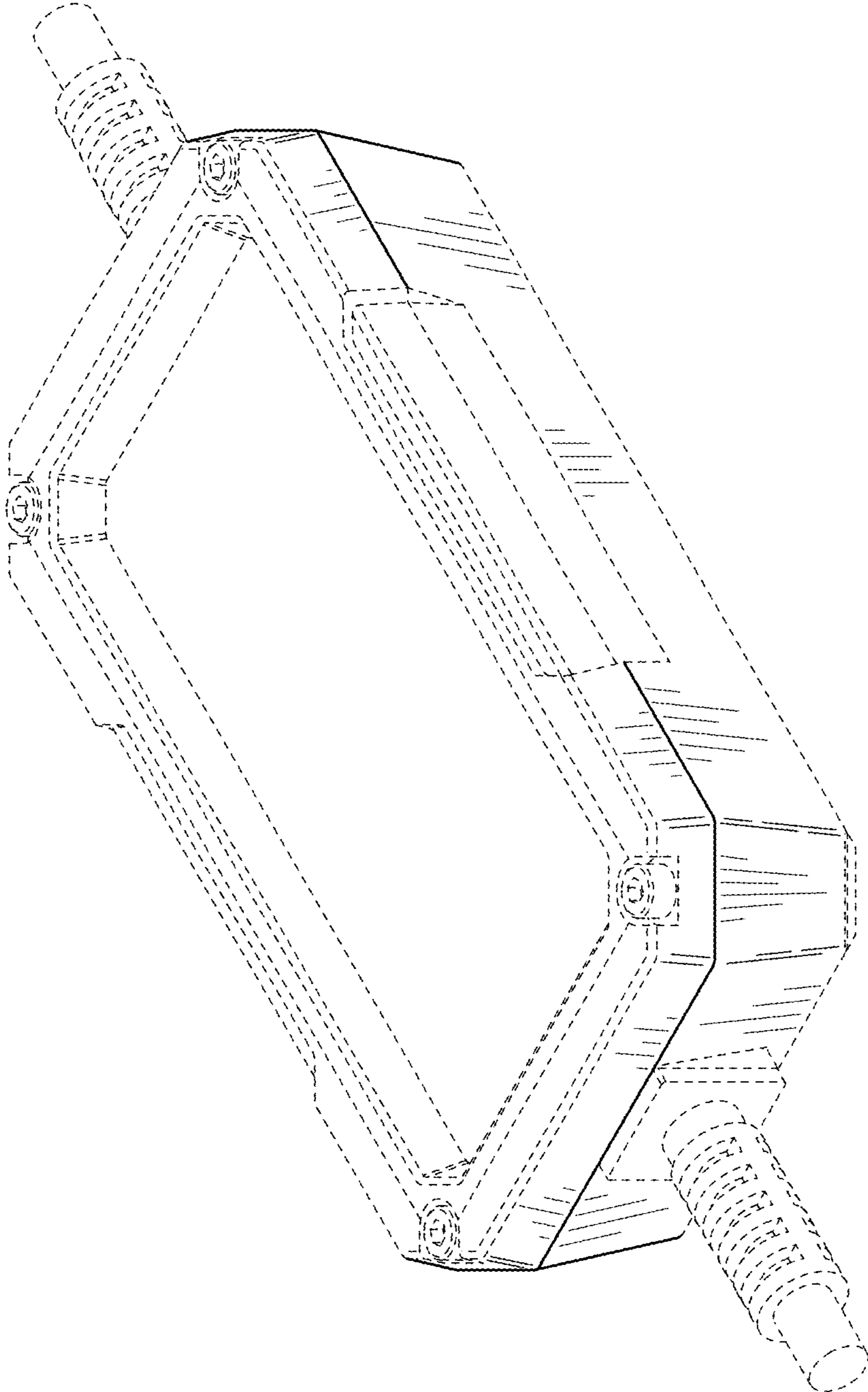


FIG. 1

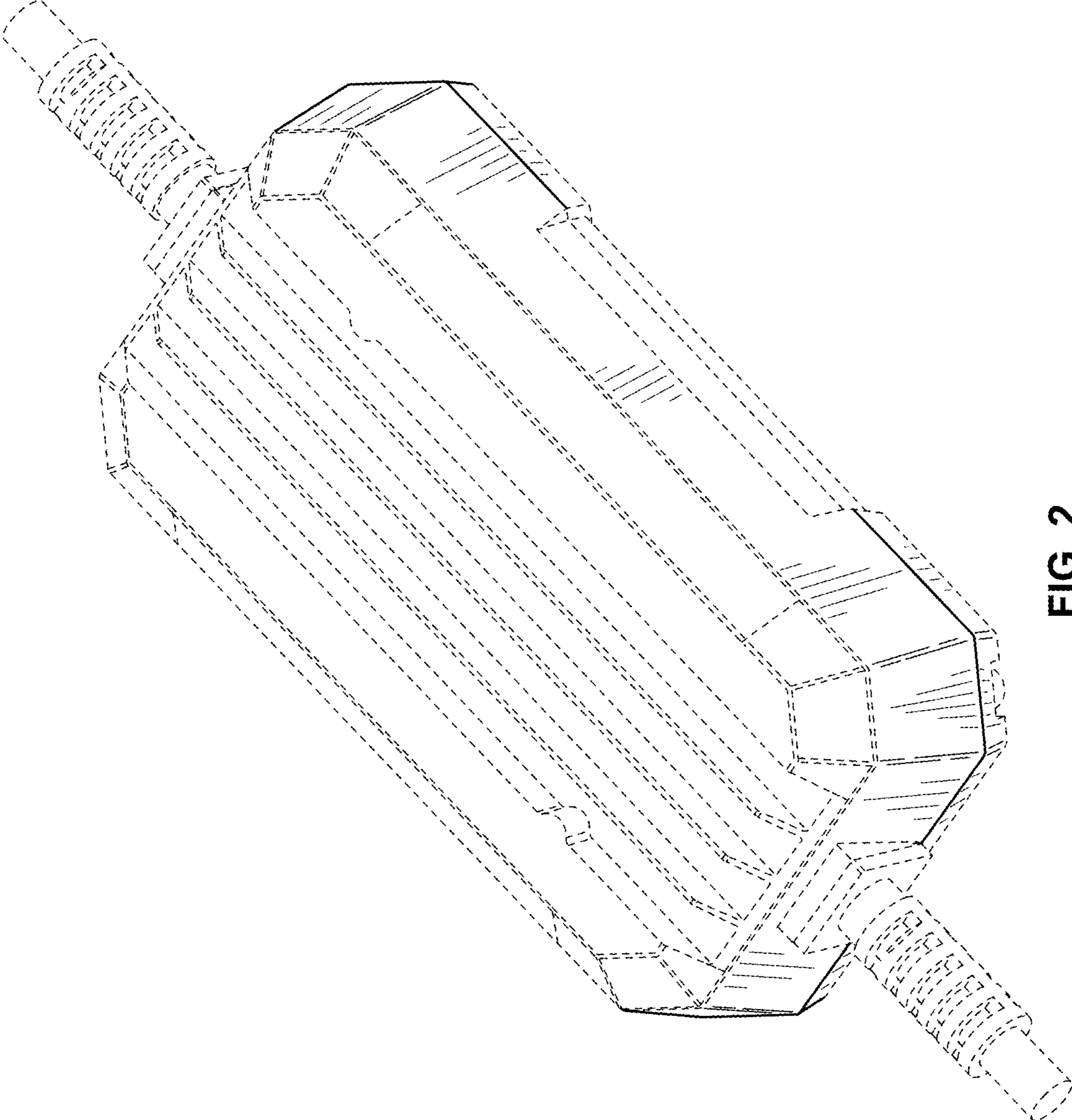


FIG. 2

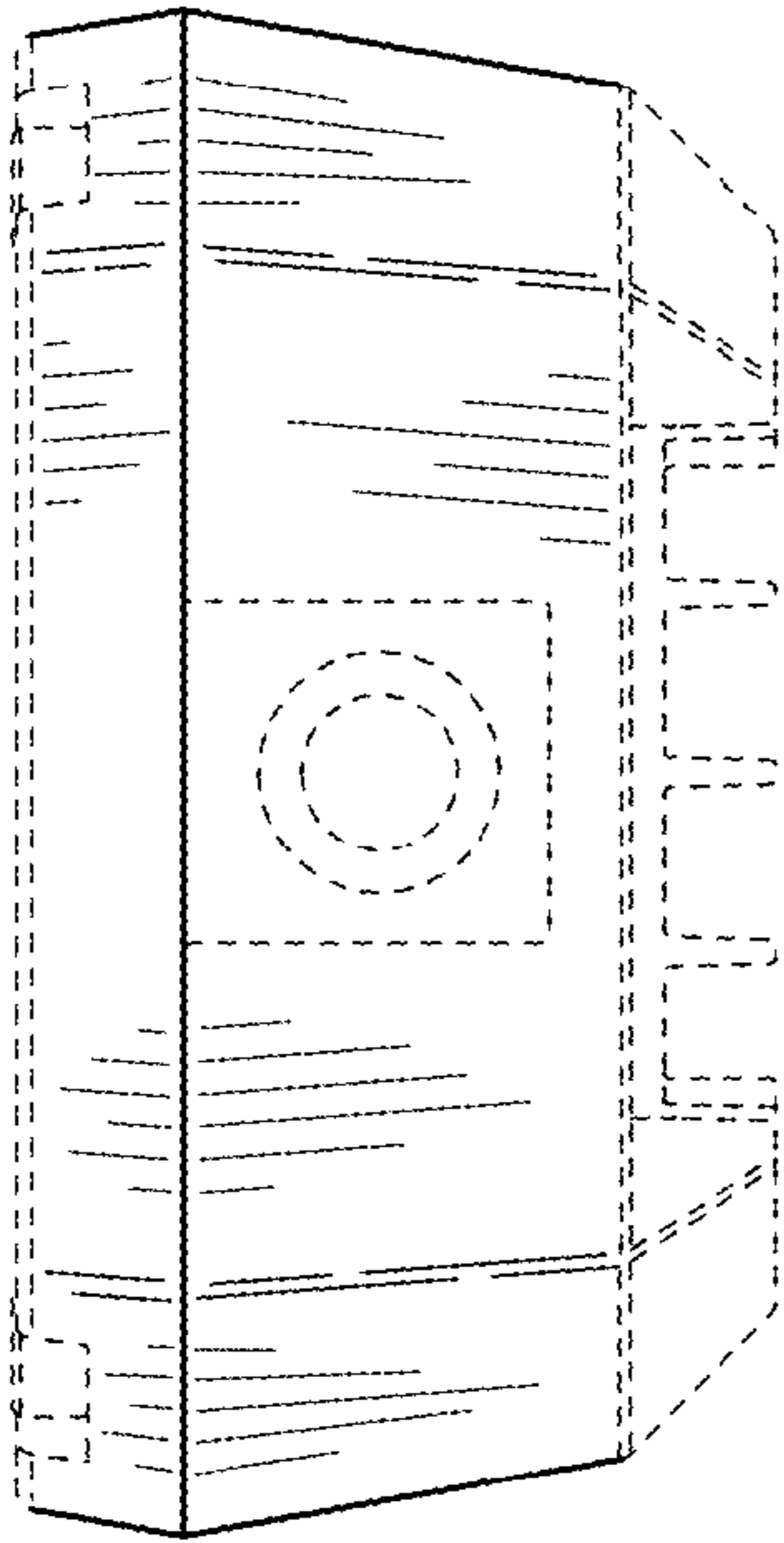


FIG. 3

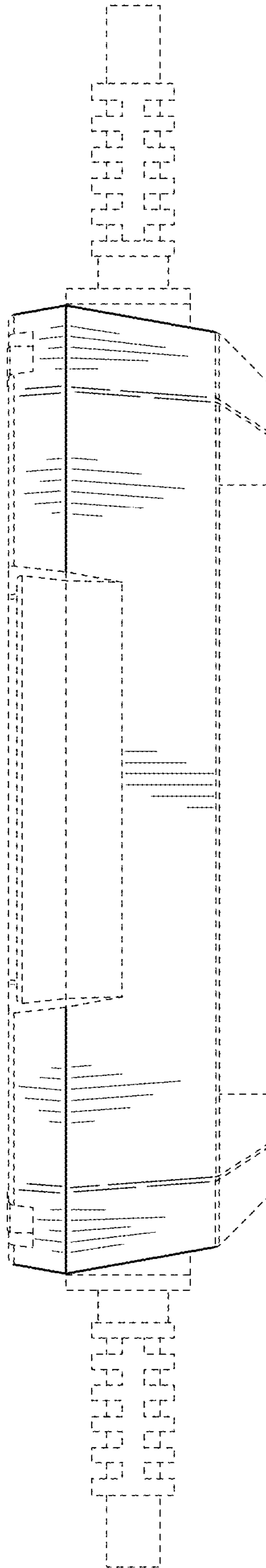


FIG. 4

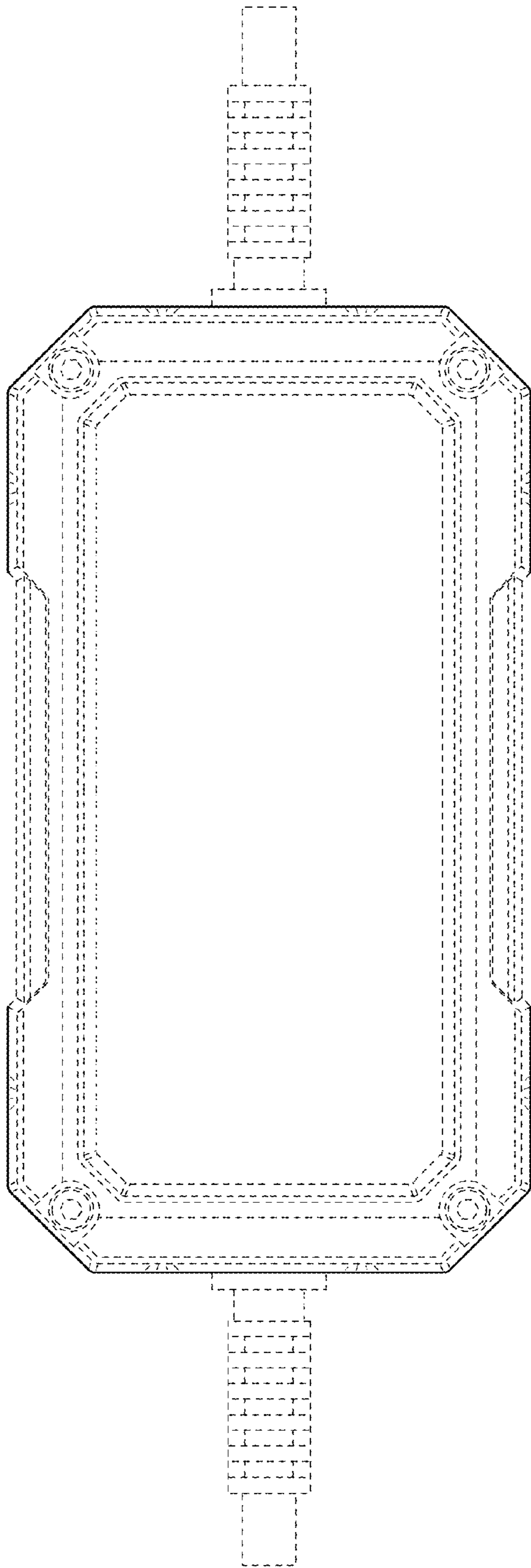


FIG. 5

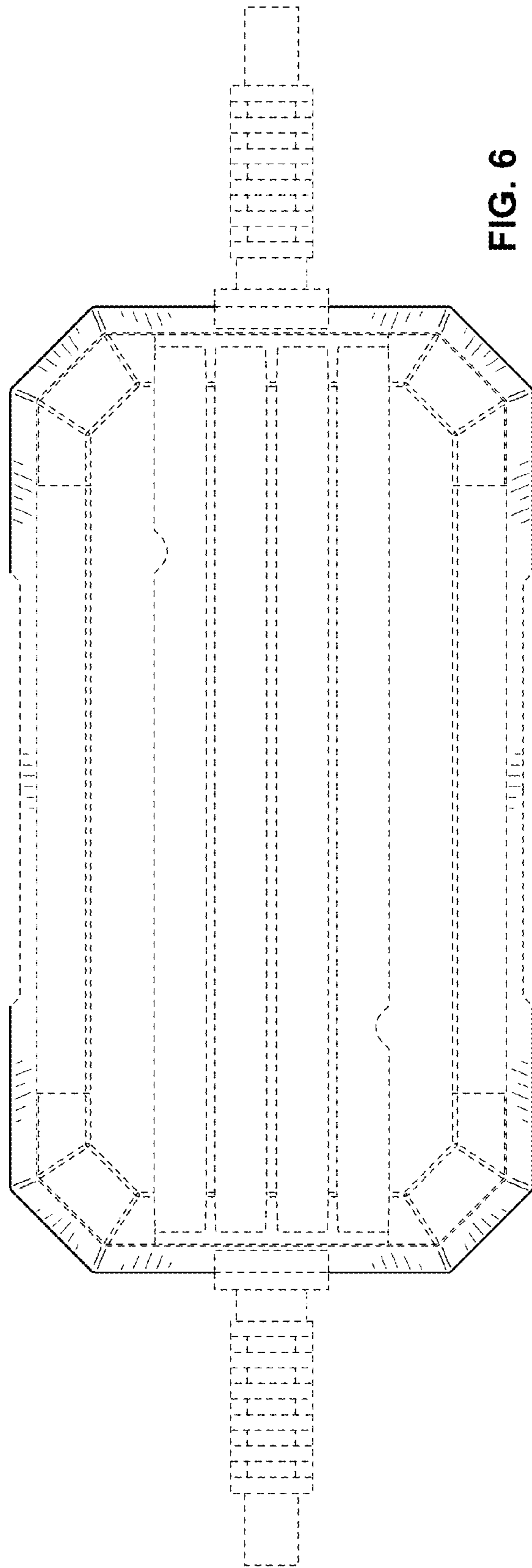


FIG. 6