



US00D932075S

(12) **United States Design Patent**  
**Chen**

(10) **Patent No.:** **US D932,075 S**

(45) **Date of Patent:** **\*\* Sep. 28, 2021**

(54) **CAR HEADLIGHT**

(71) Applicant: **ZHEJIANG YUANZHENG  
AUTO&MOTORCYCLE  
ACCESSORIES CO., LTD.**, Rui'an  
(CN)

(72) Inventor: **Yu Chen**, Rui'an (CN)

(\*\*) Term: **15 Years**

(21) Appl. No.: **29/749,324**

(22) Filed: **Sep. 4, 2020**

(51) **LOC (13) Cl.** ..... **26-06**

(52) **U.S. Cl.**  
USPC ..... **D26/28**

(58) **Field of Classification Search**  
USPC ..... D26/28, 29, 30, 31, 32, 33, 34, 35, 36,  
D26/44

CPC ..... F21S 48/00; F21S 48/10; F21S 48/115;  
F21S 48/225; F21S 48/1233; F21S  
48/1266; F21S 48/1388; F21S 48/2268;  
F21V 21/04; F21W 2103/35; F21W 3/40;  
F21W 2102/17; F21W 2102/30; F21W  
2103/00; F21W 2103/55; F21W 2104/00;  
F21W 2107/17; F21W 2107/13

See application file for complete search history.

(56) **References Cited**

**U.S. PATENT DOCUMENTS**

D593,233 S 5/2009 Bai et al.  
D597,689 S 8/2009 Sun et al.

D740,979 S \* 10/2015 Lee ..... D26/28  
D769,482 S \* 10/2016 Morikawa ..... D26/28  
D849,291 S \* 5/2019 Wu ..... D26/28  
D865,242 S \* 10/2019 Kim ..... D26/28  
D878,642 S 3/2020 Ren  
D889,697 S \* 7/2020 Tovey ..... D26/28  
D897,573 S \* 9/2020 Patel ..... D26/28  
D905,302 S \* 12/2020 Wu ..... D26/28  
D909,641 S \* 2/2021 Chen ..... D26/28  
D909,642 S \* 2/2021 Chen ..... D26/28

\* cited by examiner

*Primary Examiner* — Angela J Lee

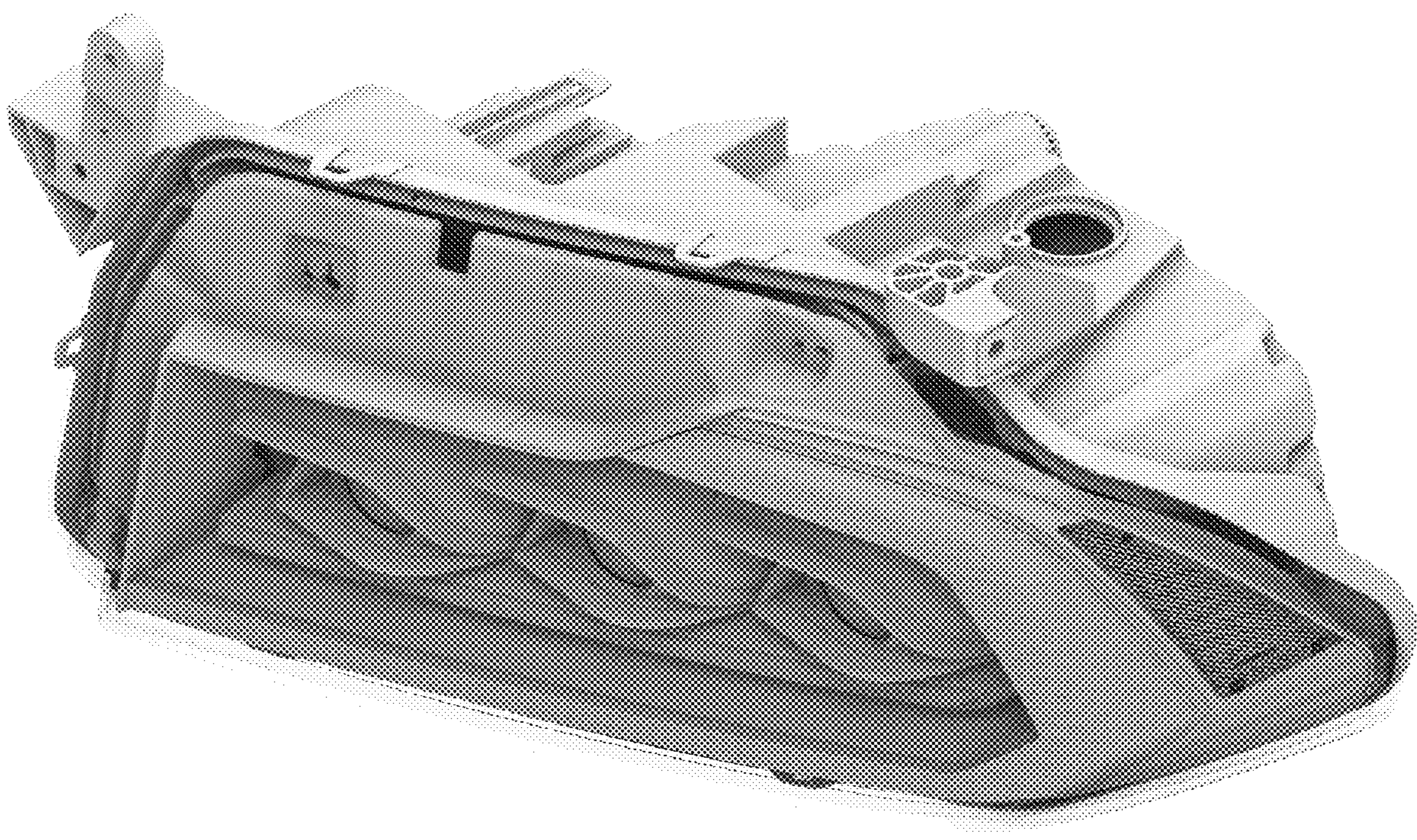
(57) **CLAIM**

The ornamental design for a car headlight, as shown and described.

**DESCRIPTION**

FIG. 1 is a perspective view of a car headlight showing my new design;  
FIG. 2 is a front view thereof;  
FIG. 3 is a back view thereof;  
FIG. 4 is a left side view thereof;  
FIG. 5 is a right side view thereof;  
FIG. 6 is a top view thereof; and,  
FIG. 7 is a bottom view thereof.

**1 Claim, 7 Drawing Sheets**



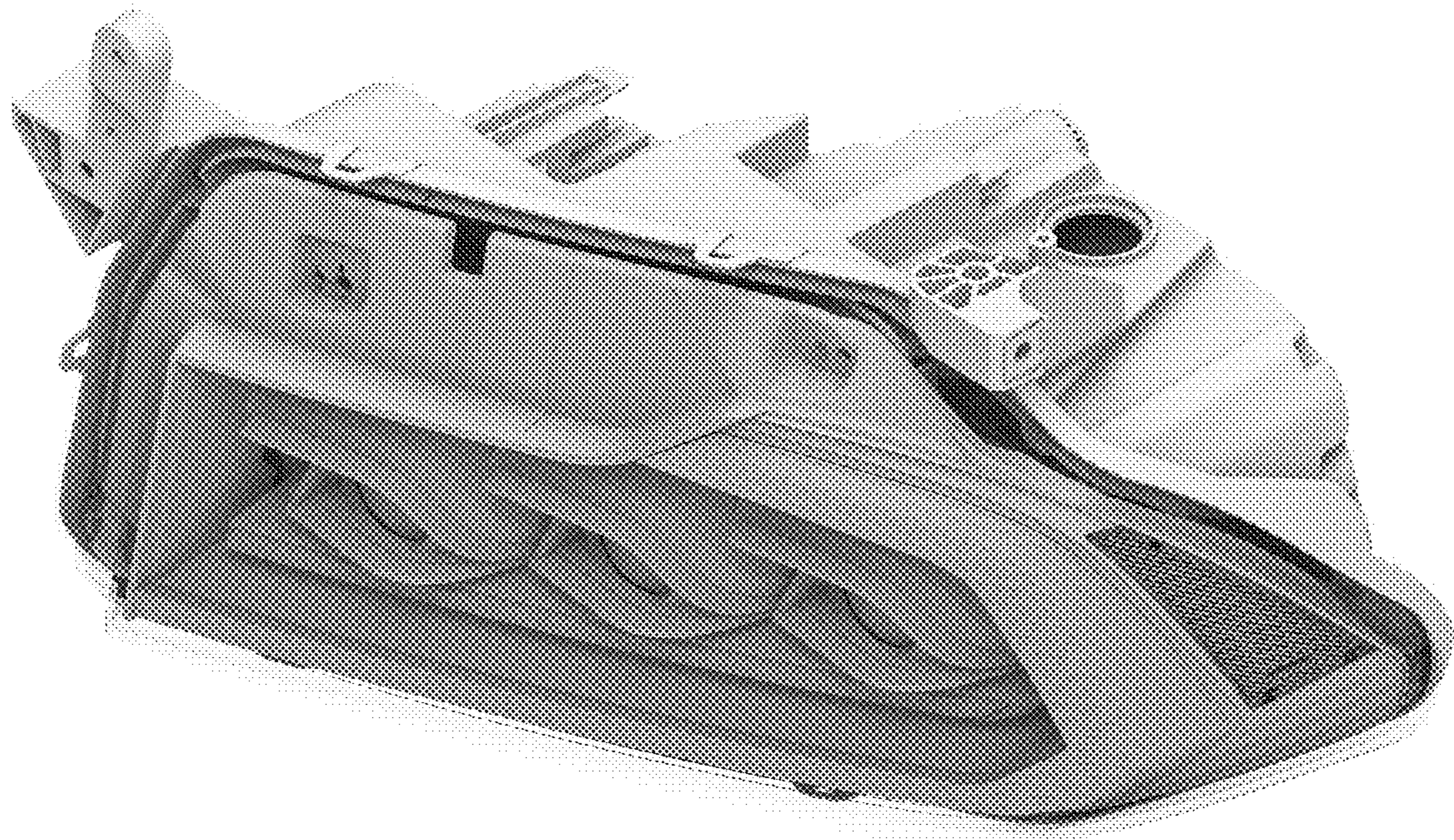


FIG. 1

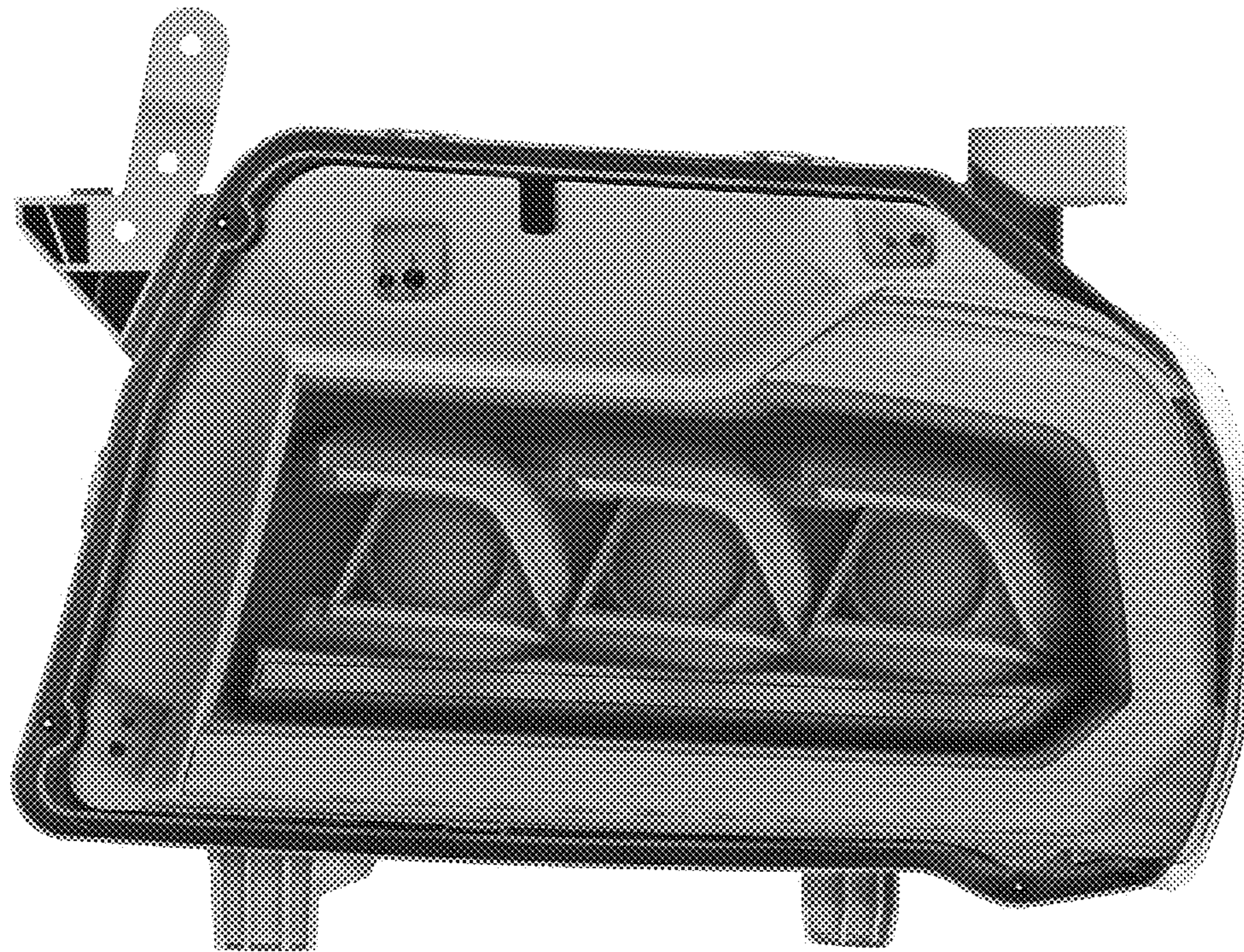


FIG. 2

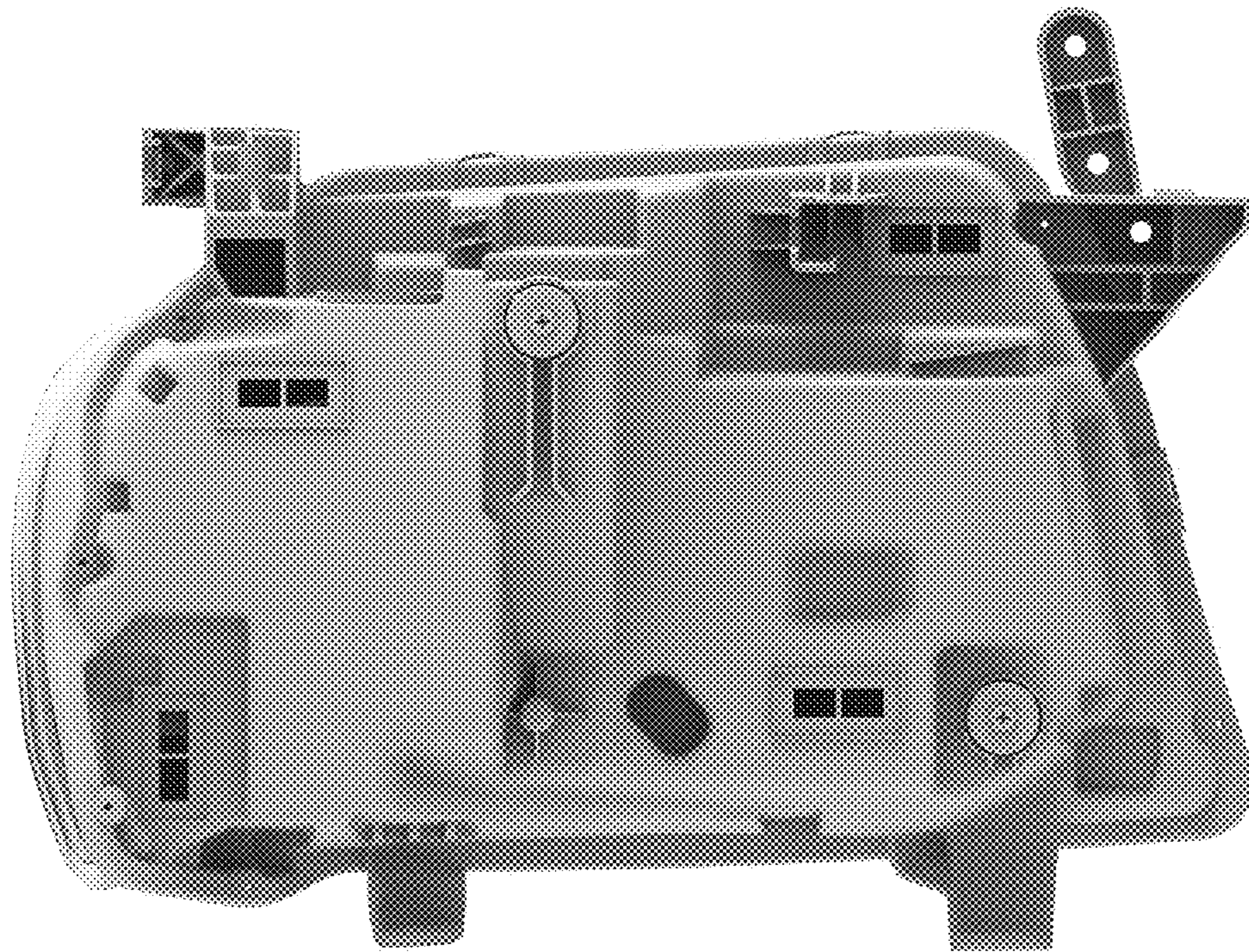


FIG. 3

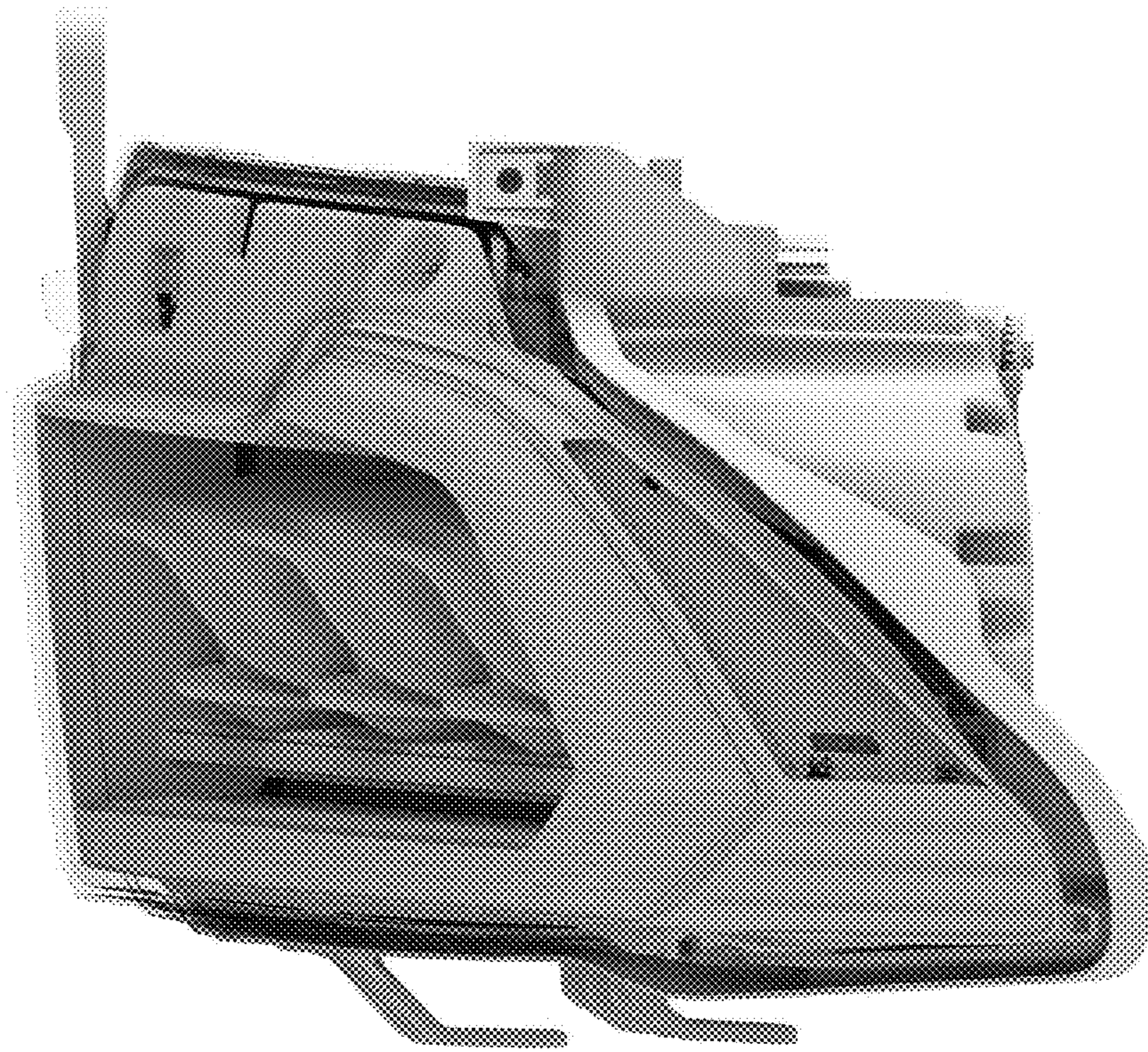


FIG. 4

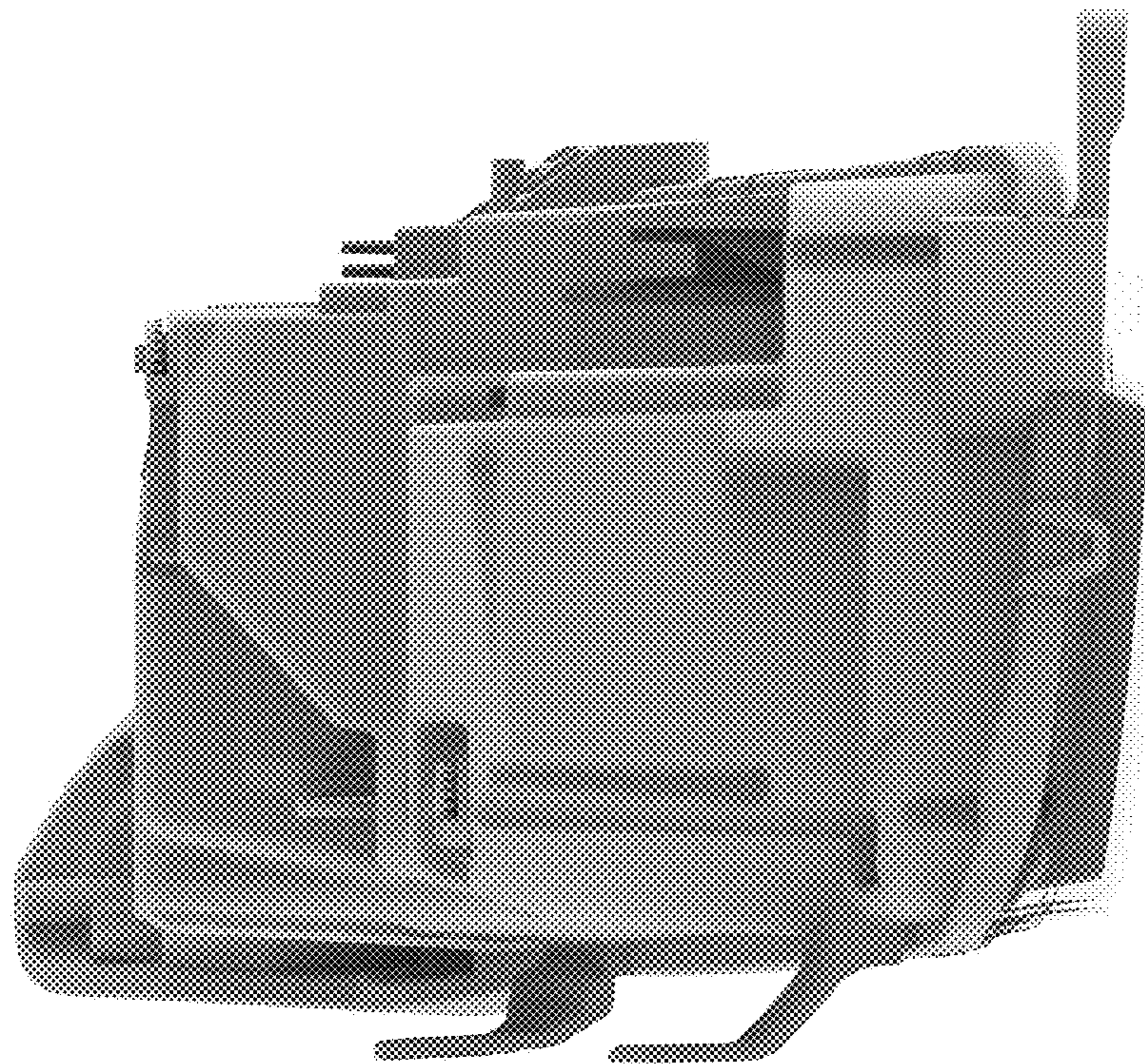


FIG. 5

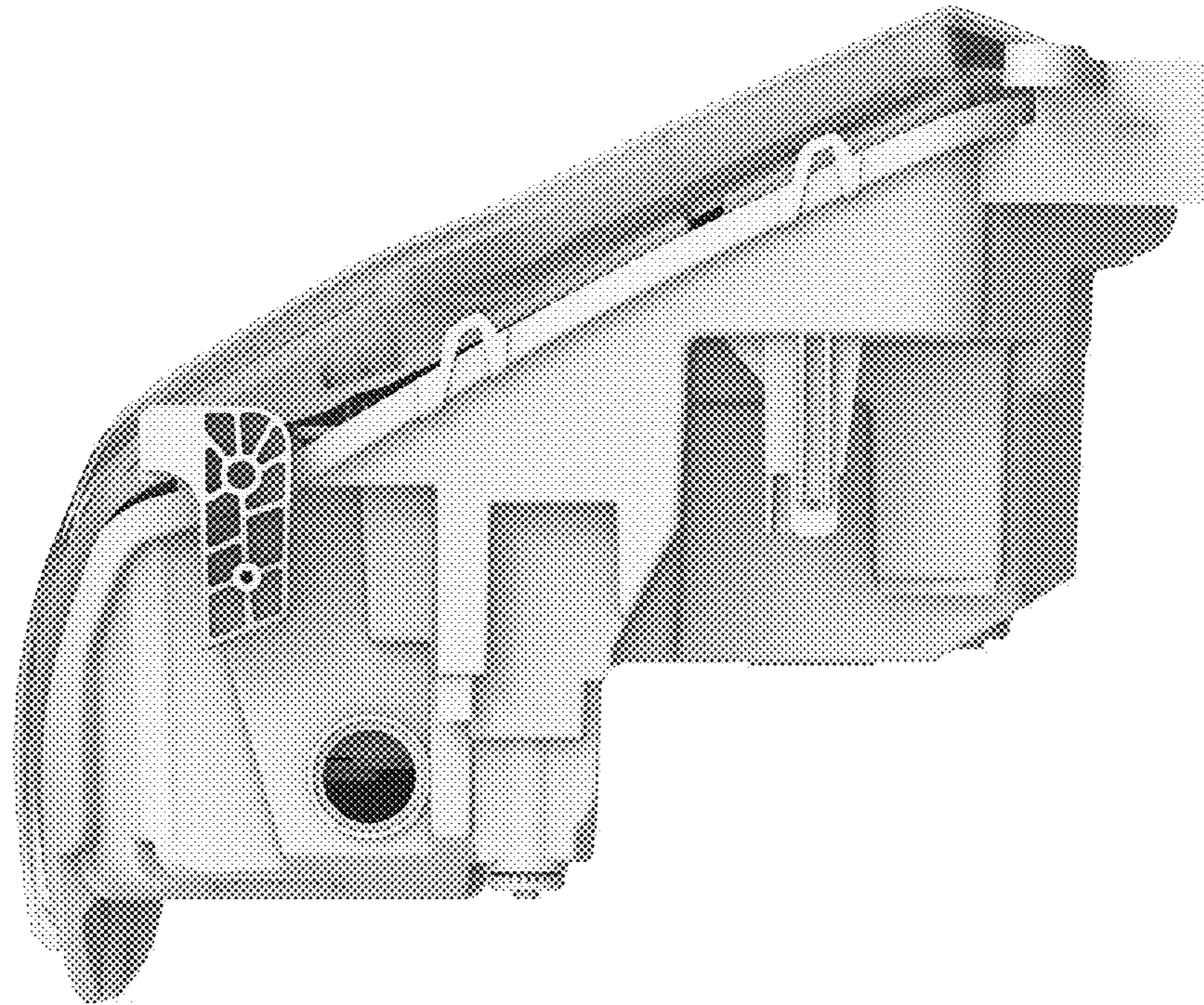


FIG. 6

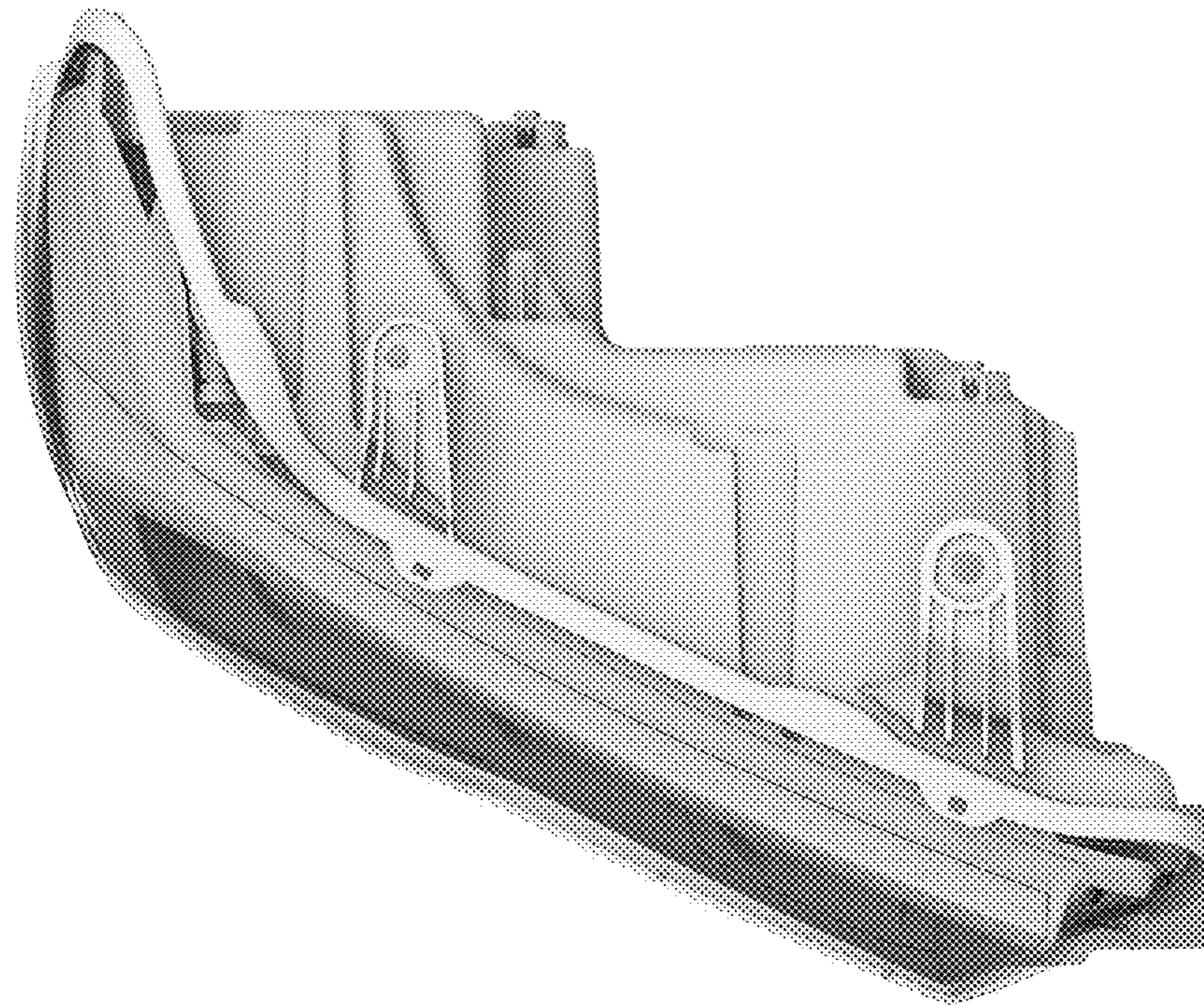


FIG. 7