



US00D932074S

(12) **United States Design Patent**
Lin

(10) **Patent No.:** **US D932,074 S**

(45) **Date of Patent:** **** Sep. 28, 2021**

- (54) **AUTOMOBILE HEADLIGHT LENS**
- (71) Applicant: **Chi-Chung Lin**, Hsinchu (TW)
- (72) Inventor: **Chi-Chung Lin**, Hsinchu (TW)
- (**) Term: **15 Years**
- (21) Appl. No.: **29/745,253**
- (22) Filed: **Aug. 5, 2020**
- (51) **LOC (13) Cl.** **26-06**
- (52) **U.S. Cl.**
USPC **D26/28**
- (58) **Field of Classification Search**
USPC D26/28-36, 139
CPC F21S 48/00; F21S 48/10; F21S 48/115;
F21S 48/225; F21S 48/1233; F21S
48/1266; F21S 48/1388; F21S 48/2268;
F21V 21/04; F21V 29/004; B60Q 9/13;
B60Q 9/135; B60Q 9/1375
See application file for complete search history.

- D660,507 S * 5/2012 Davidson D26/139
- D825,832 S * 8/2018 Lin D26/139
- D846,770 S 4/2019 Kozub
- D859,708 S 9/2019 Kozub

* cited by examiner

Primary Examiner — Marcus A Jackson

(74) *Attorney, Agent, or Firm* — Alexander Chen, Esq.

(57) **CLAIM**

The ornamental design for an automobile headlight lens, as shown and described.

DESCRIPTION

FIG. 1 is a perspective view of an automobile headlight lens; FIG. 2 is a front view thereof; FIG. 3 is a back view thereof; FIG. 4 is a right view thereof; FIG. 5 is a left view thereof; FIG. 6 is a top view thereof; and, FIG. 7 is a bottom view thereof.

Any broken lines are included to show environmental structure and form no part of the claimed design.

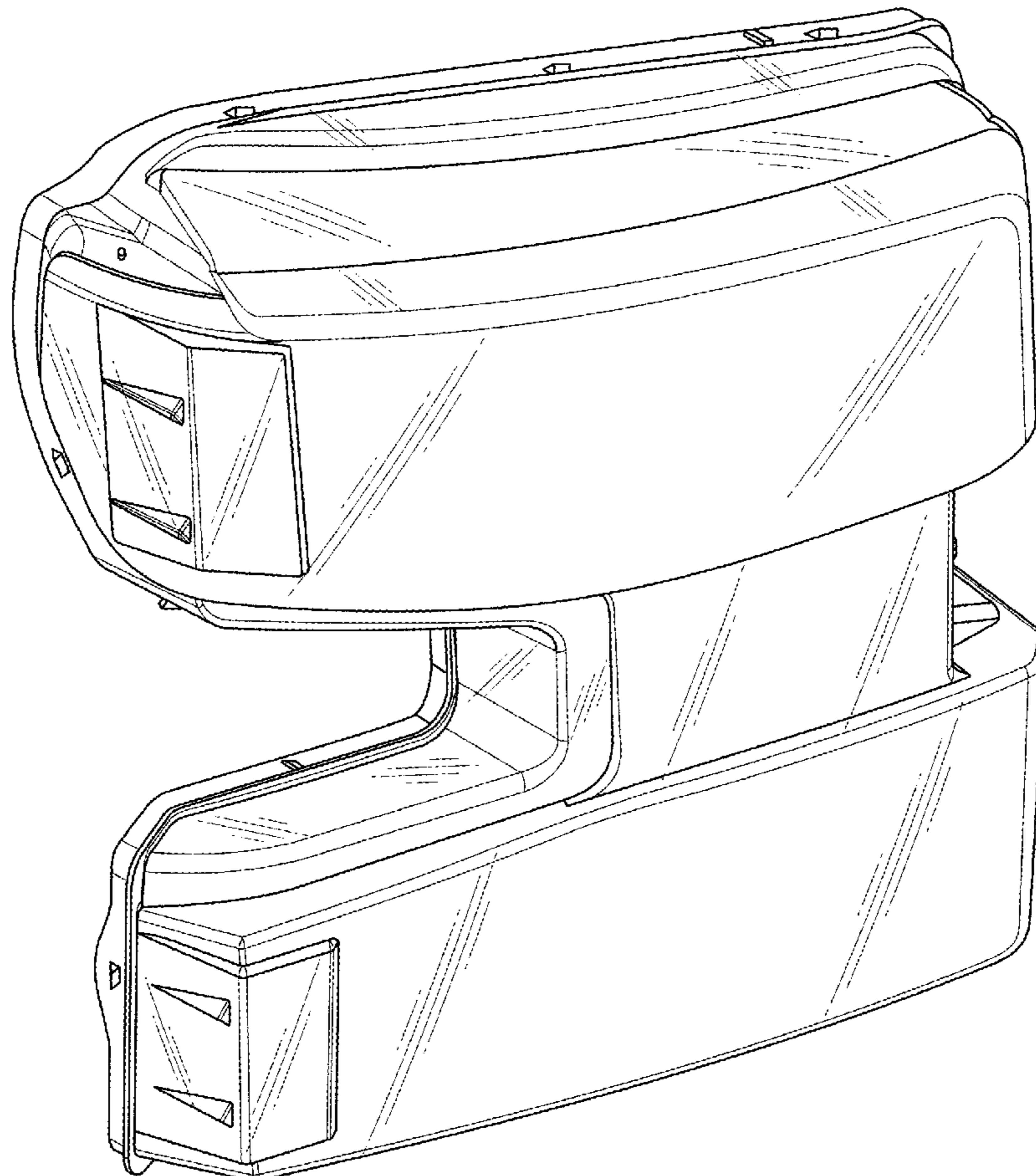
The drawings and descriptions represent the left side embodiment. The claim is also for a mirror image right side embodiment.

(56) **References Cited**

U.S. PATENT DOCUMENTS

- D318,537 S * 7/1991 Allman D26/139
- D640,826 S * 6/2011 Beigel D26/139

1 Claim, 7 Drawing Sheets



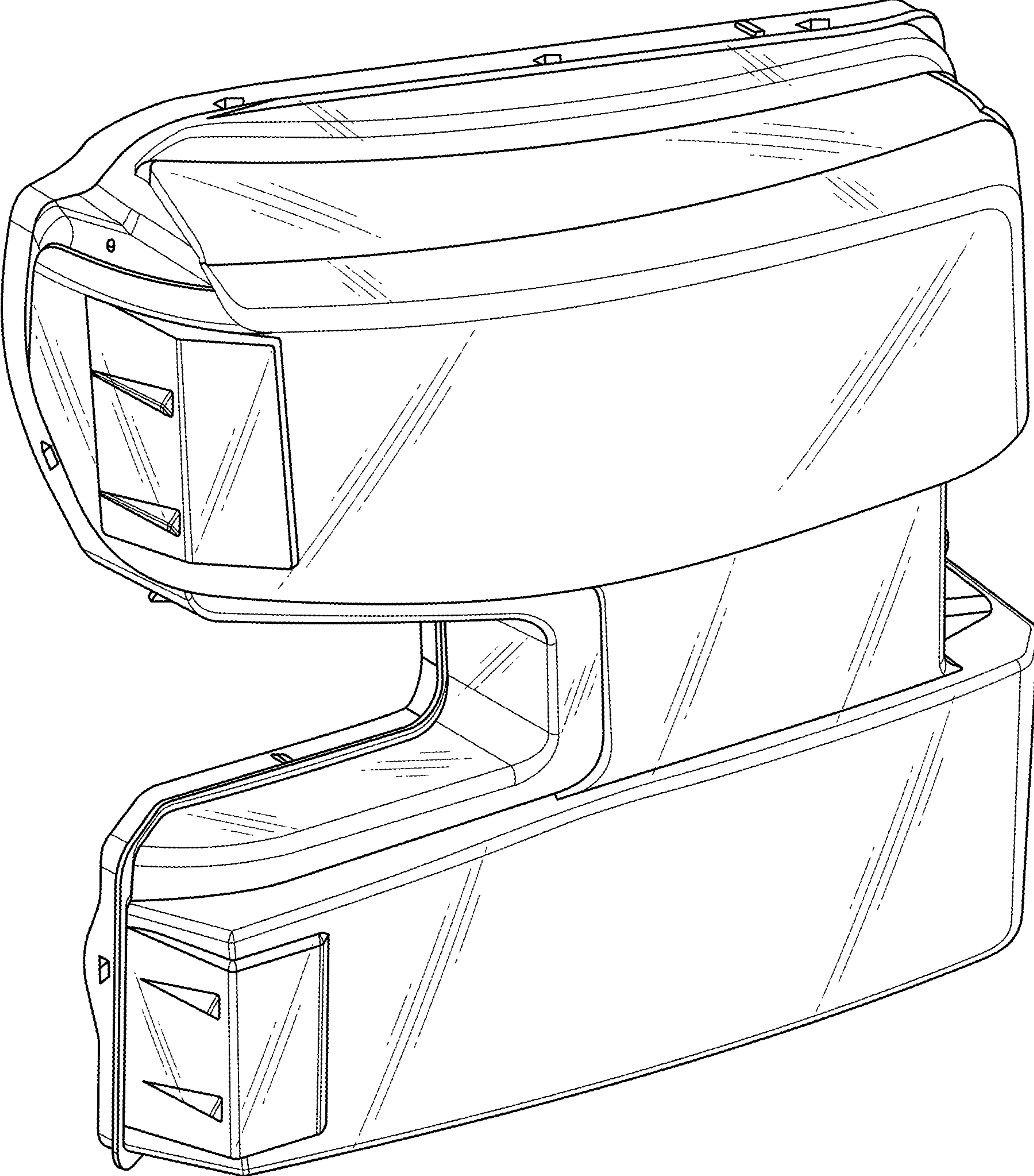


FIG. 1

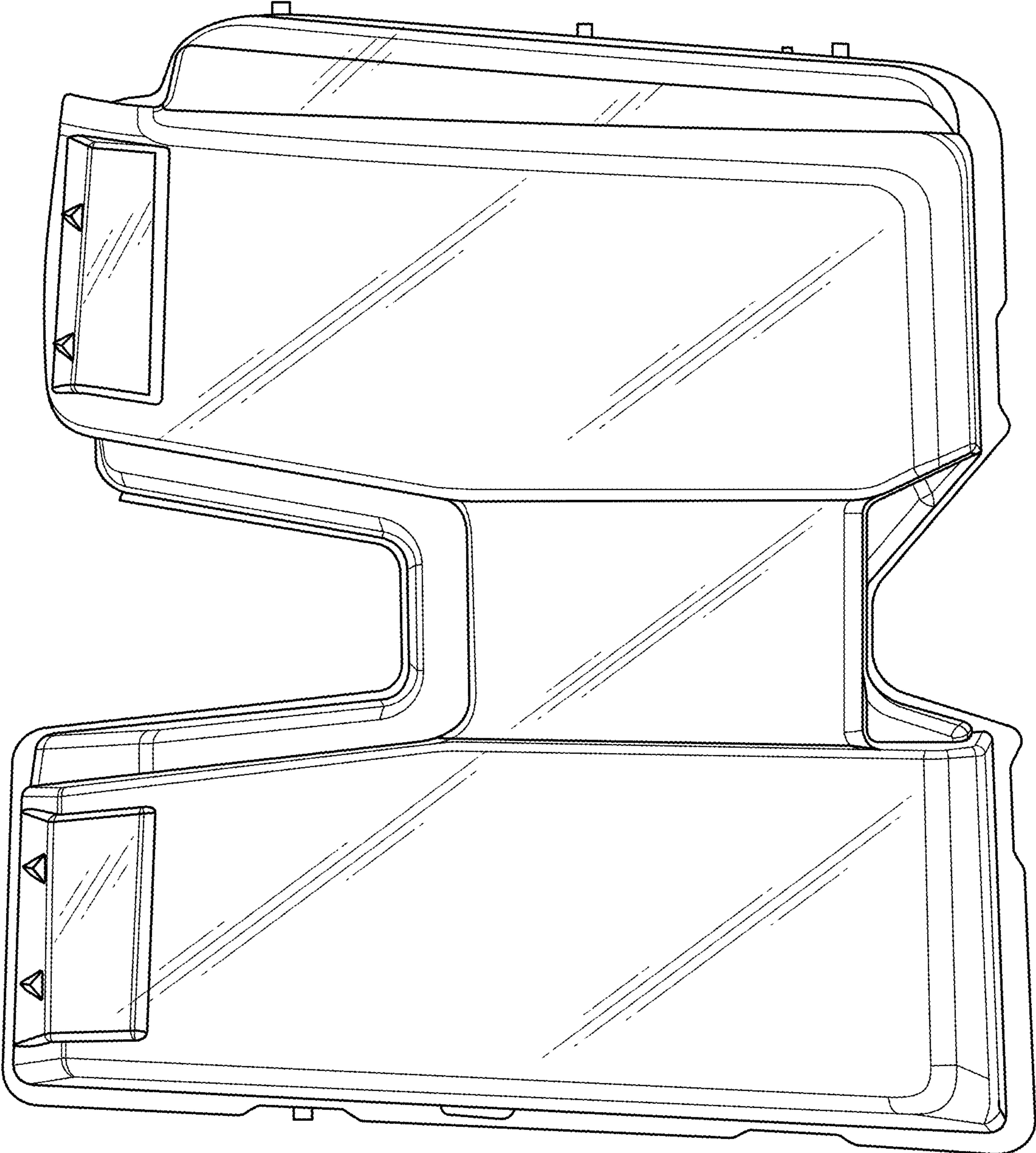


FIG. 2

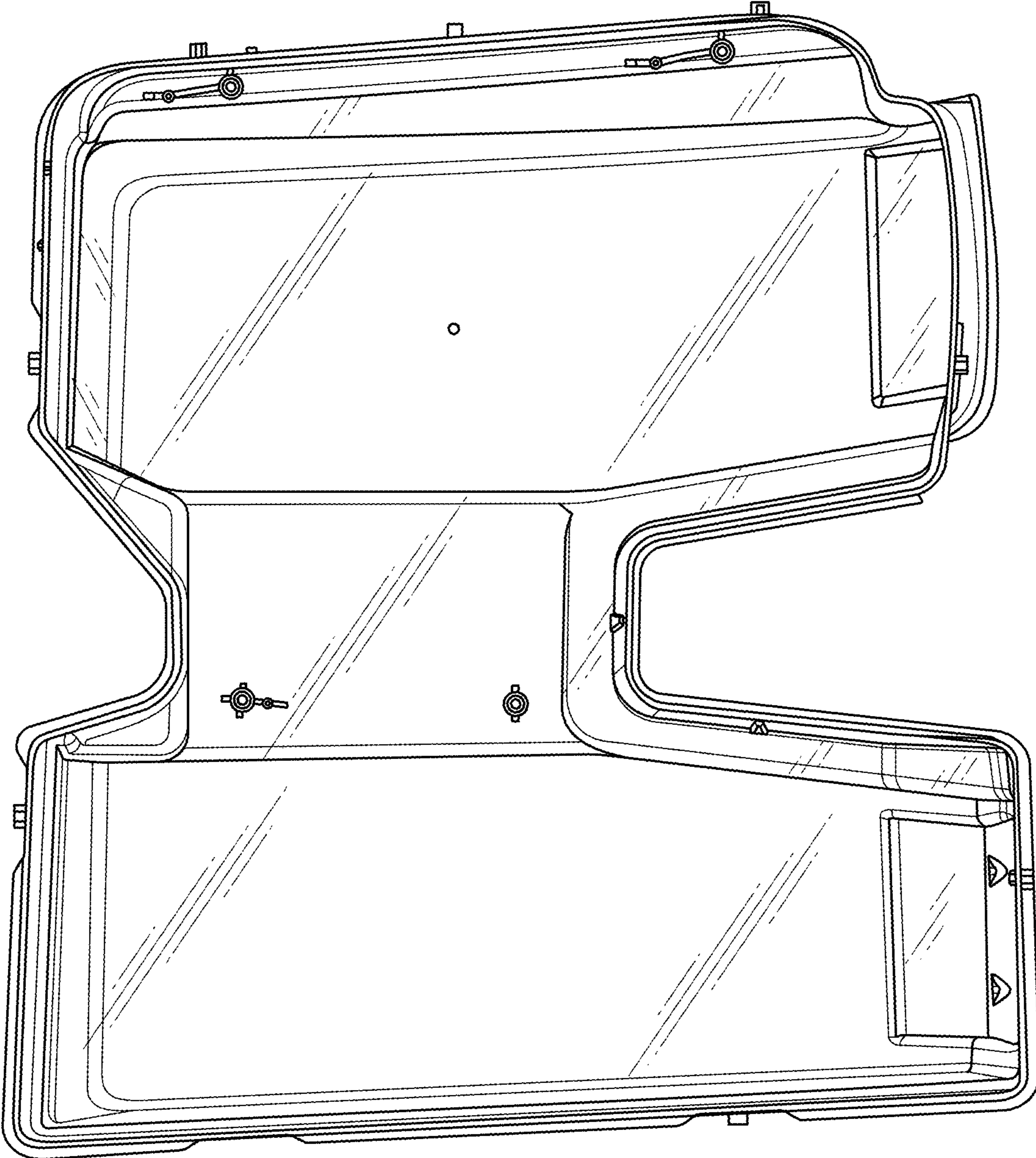


FIG. 3

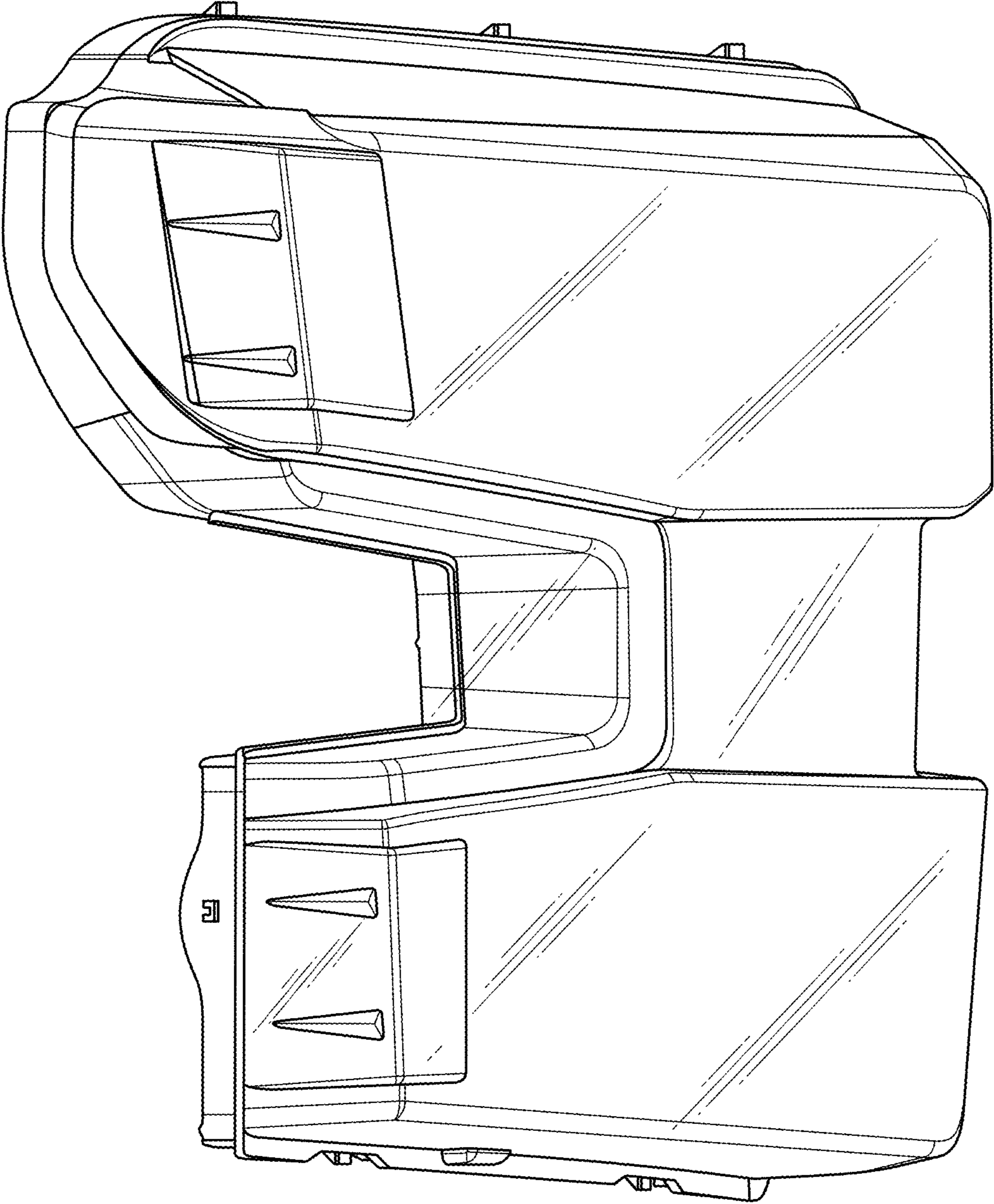


FIG. 4

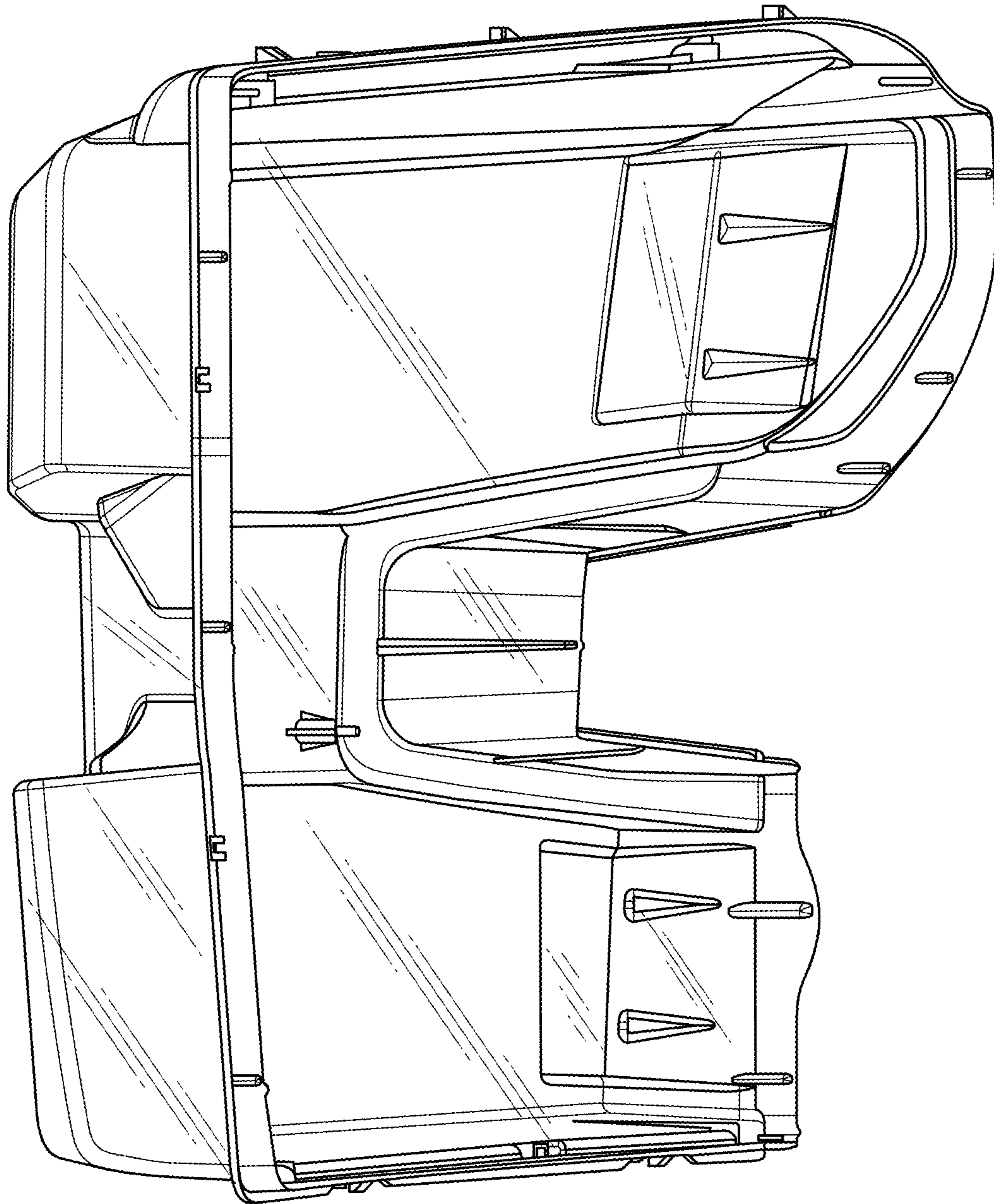


FIG. 5

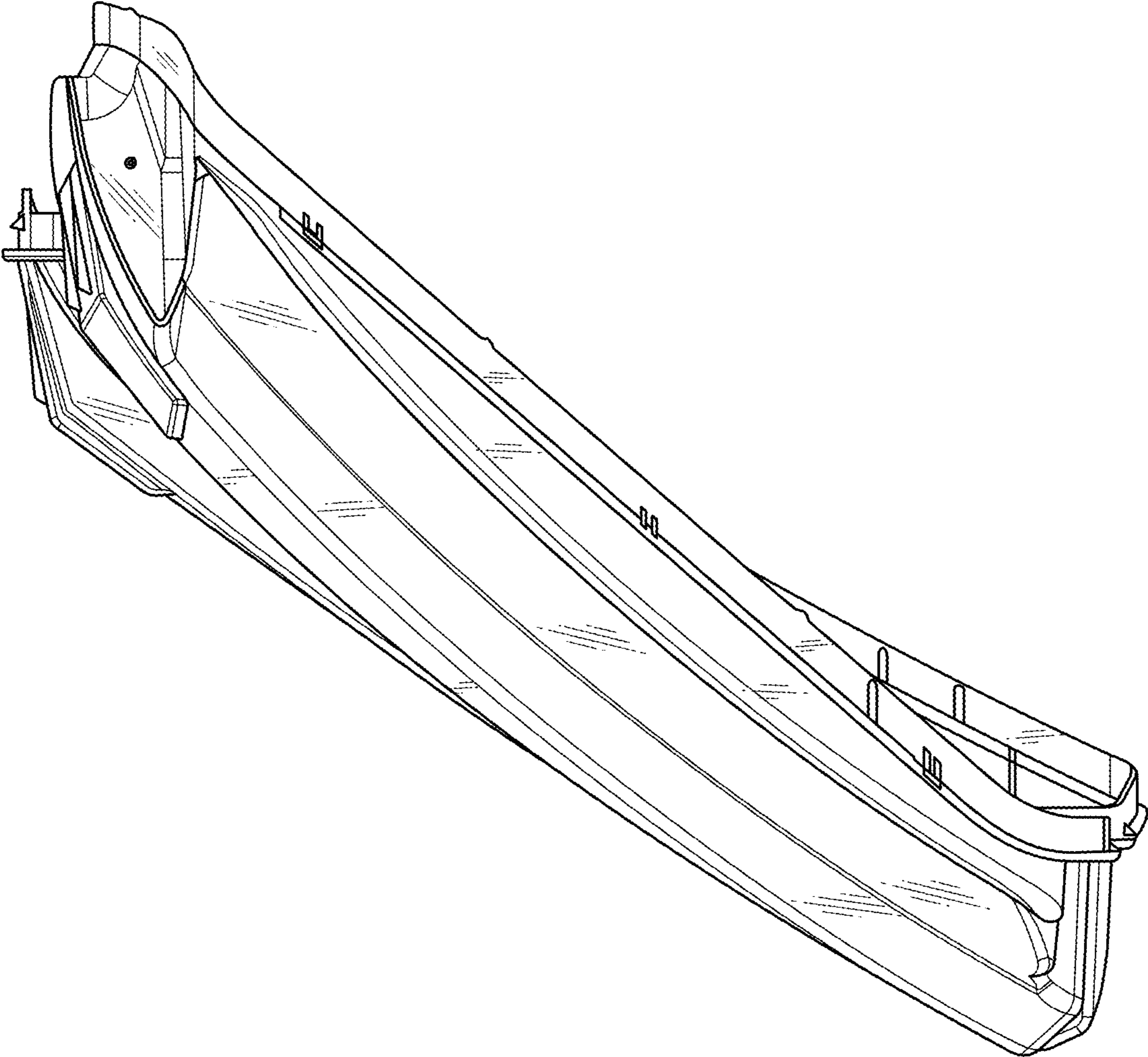


FIG. 6

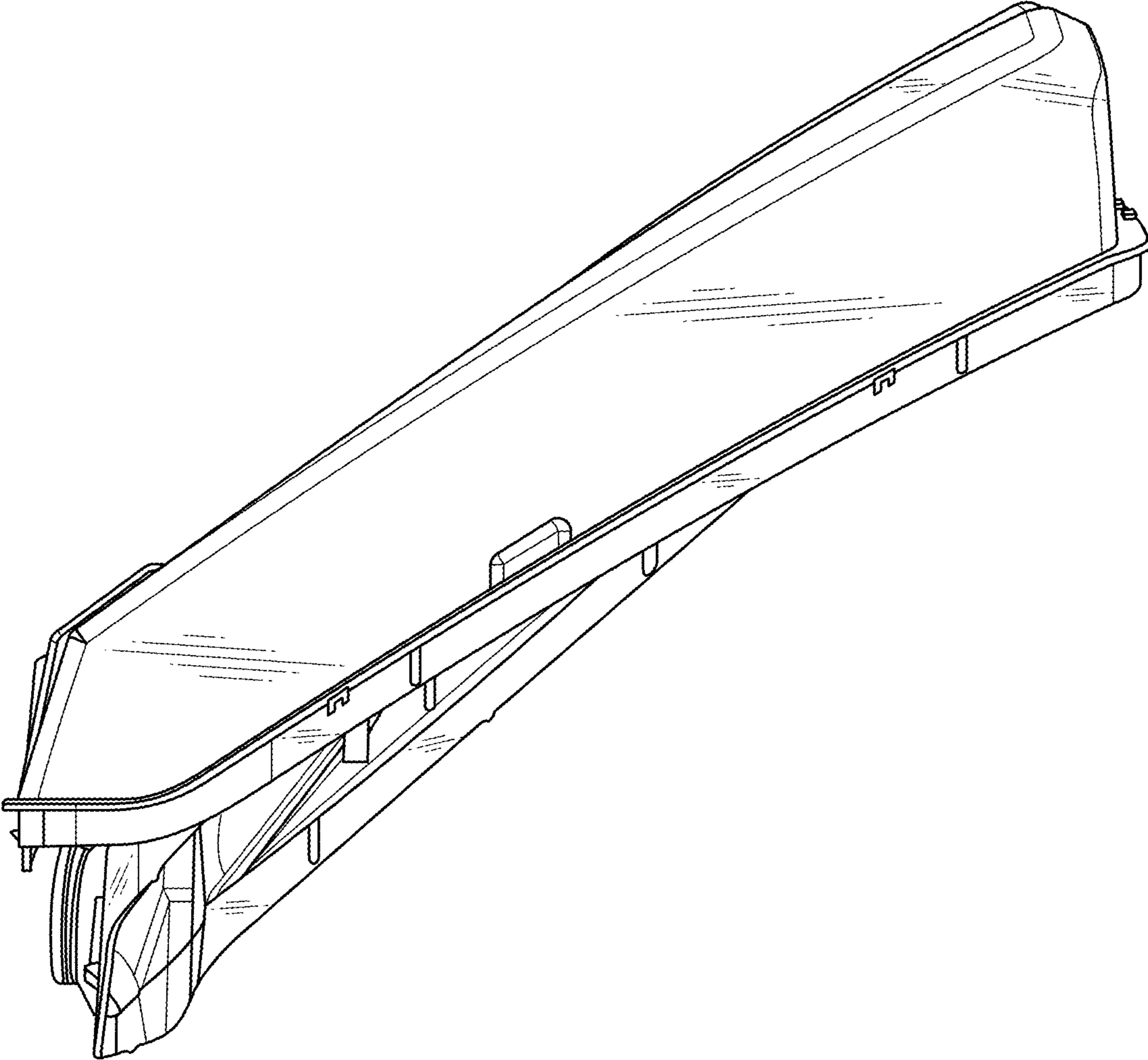


FIG. 7