



US00D932071S

(12) **United States Design Patent**
Lin

(10) **Patent No.:** **US D932,071 S**

(45) **Date of Patent:** **** Sep. 28, 2021**

(54) **AUTOMOBILE TAIL LIGHT**

(71) Applicant: **Chi-Chung Lin**, Hsinchu (TW)

(72) Inventor: **Chi-Chung Lin**, Hsinchu (TW)

(**) Term: **15 Years**

(21) Appl. No.: **29/735,272**

(22) Filed: **May 20, 2020**

(51) **LOC (13) Cl.** **26-06**

(52) **U.S. Cl.**
USPC **D26/28**

(58) **Field of Classification Search**
USPC D26/28-36, 139
CPC F21S 48/00; F21S 48/10; F21S 48/115;
F21S 48/225; F21S 48/1233; F21S
48/1266; F21S 48/1388; F21S 48/2268;
F21V 21/04; F21V 29/004; B60Q 9/13;
B60Q 9/135; B60Q 9/1375
See application file for complete search history.

(56) **References Cited**

U.S. PATENT DOCUMENTS

D604,874 S * 11/2009 Golden D26/28
D631,177 S 1/2011 Yang

D637,320 S 5/2011 Yang
D703,847 S * 4/2014 MacKay D26/28
D735,911 S * 8/2015 O'Donnell D26/28
D744,678 S * 12/2015 Lai D26/28
D745,725 S * 12/2015 McMahan D26/28
D749,246 S * 2/2016 Thole D26/28
D772,447 S 11/2016 Lin
D835,312 S 12/2018 Yang

* cited by examiner

Primary Examiner — Marcus A Jackson

(74) *Attorney, Agent, or Firm* — Alexander Chen, Esq.

(57) **CLAIM**

The ornamental design for an automobile tail light, as shown and described.

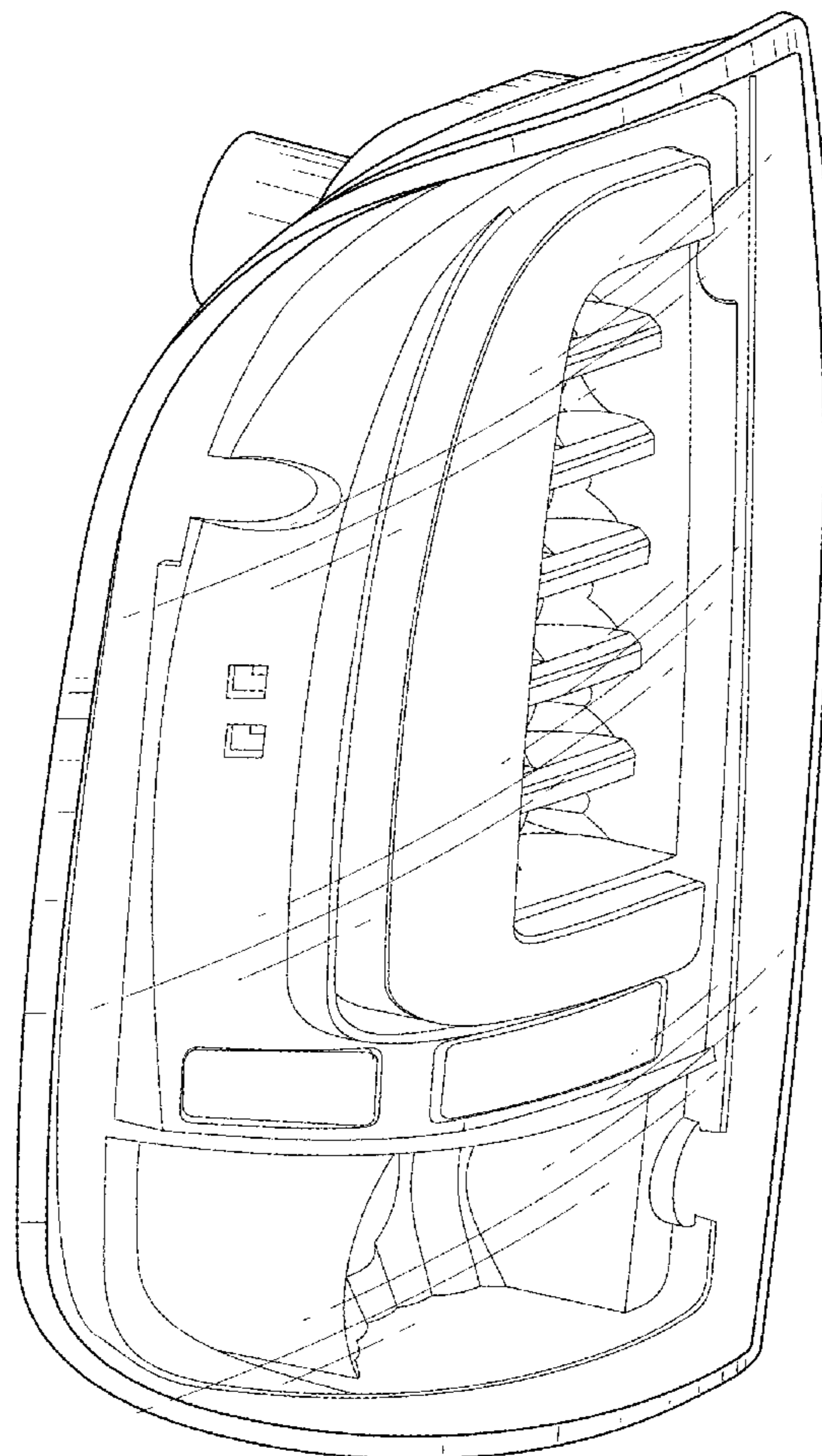
DESCRIPTION

FIG. 1 is a perspective view of an automobile tail light;
FIG. 2 is a front view thereof;
FIG. 3 is a side view thereof;
FIG. 4 is a top view thereof; and,
FIG. 5 is a bottom view thereof.

The broken lines are included to show environmental structure and form no part of the claimed design.

The design envisioned contains a second portion whose image is mirror symmetrical to the one shown.

1 Claim, 5 Drawing Sheets



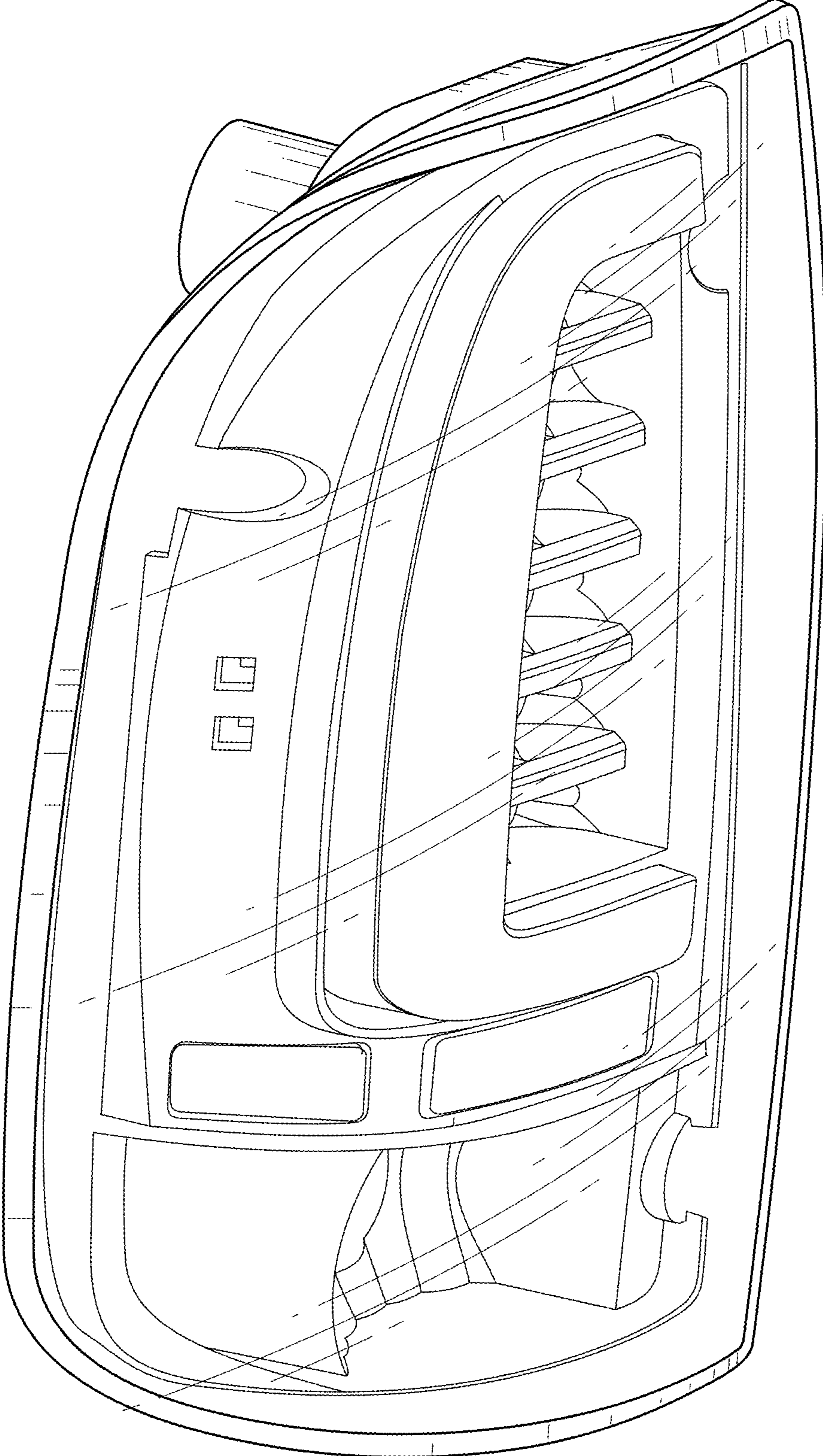


FIG. 1

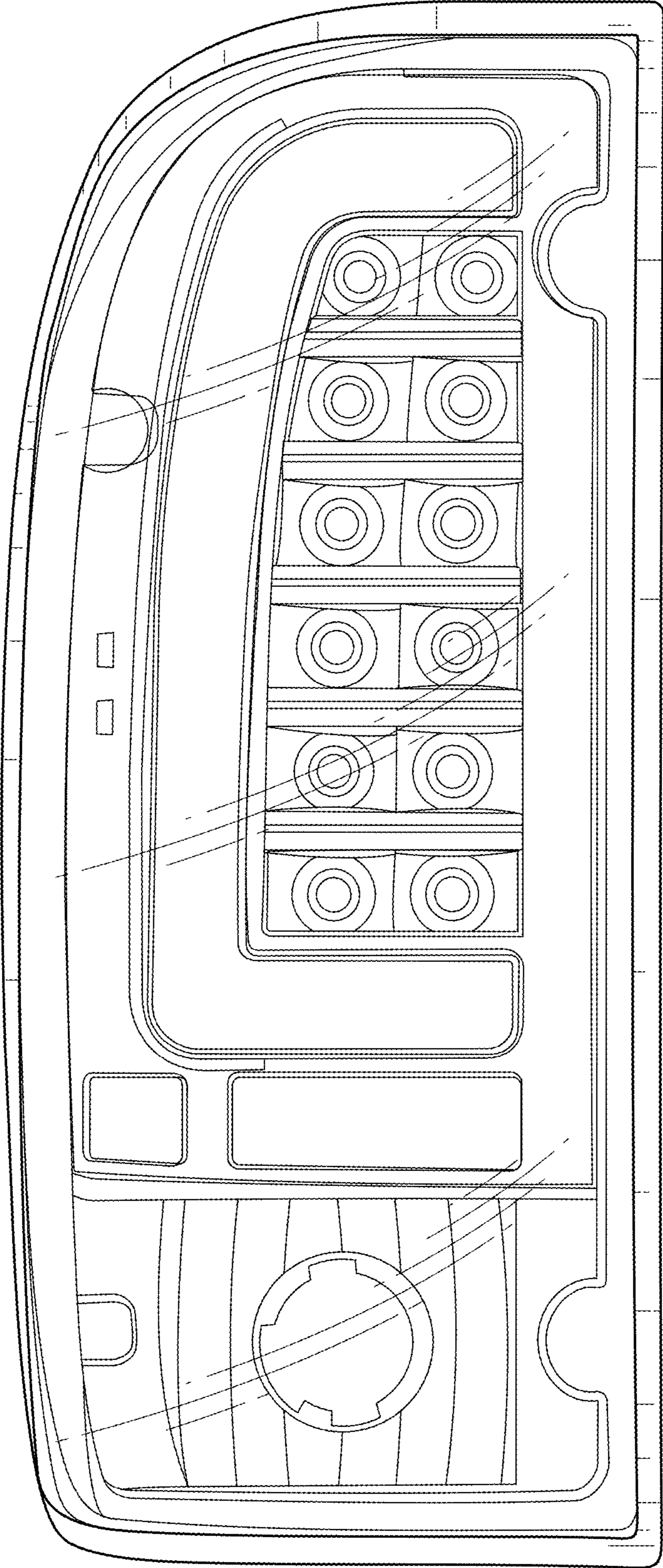


FIG. 2

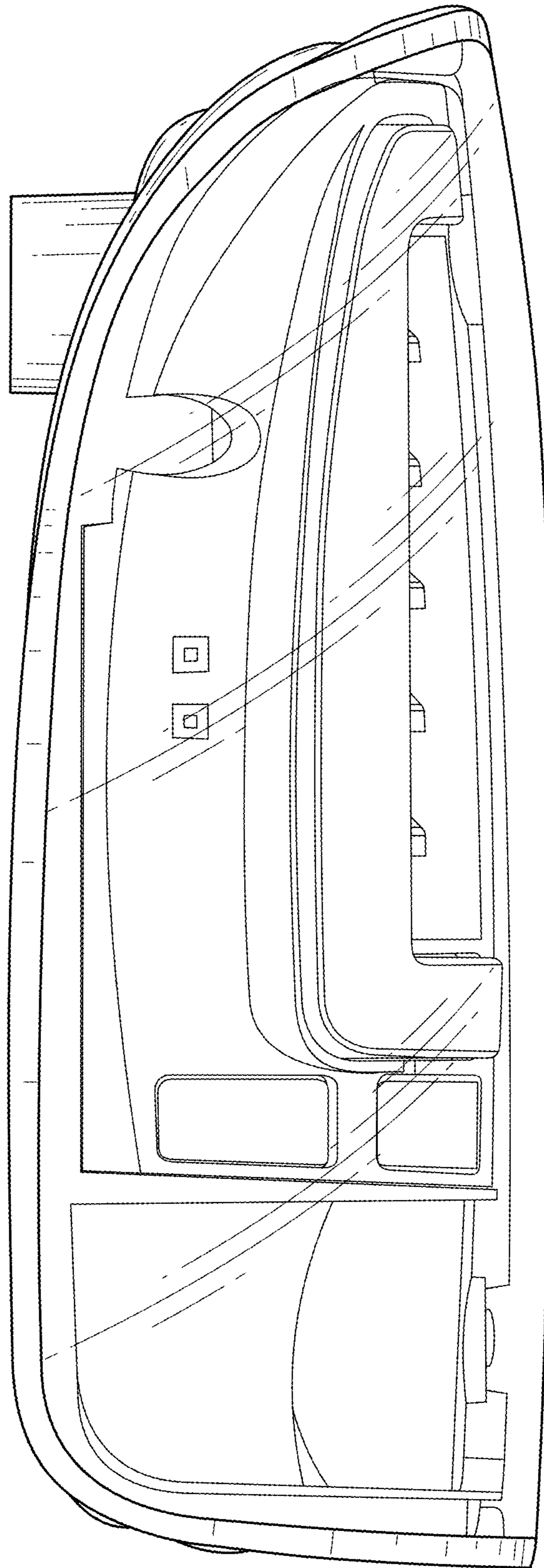


FIG. 3

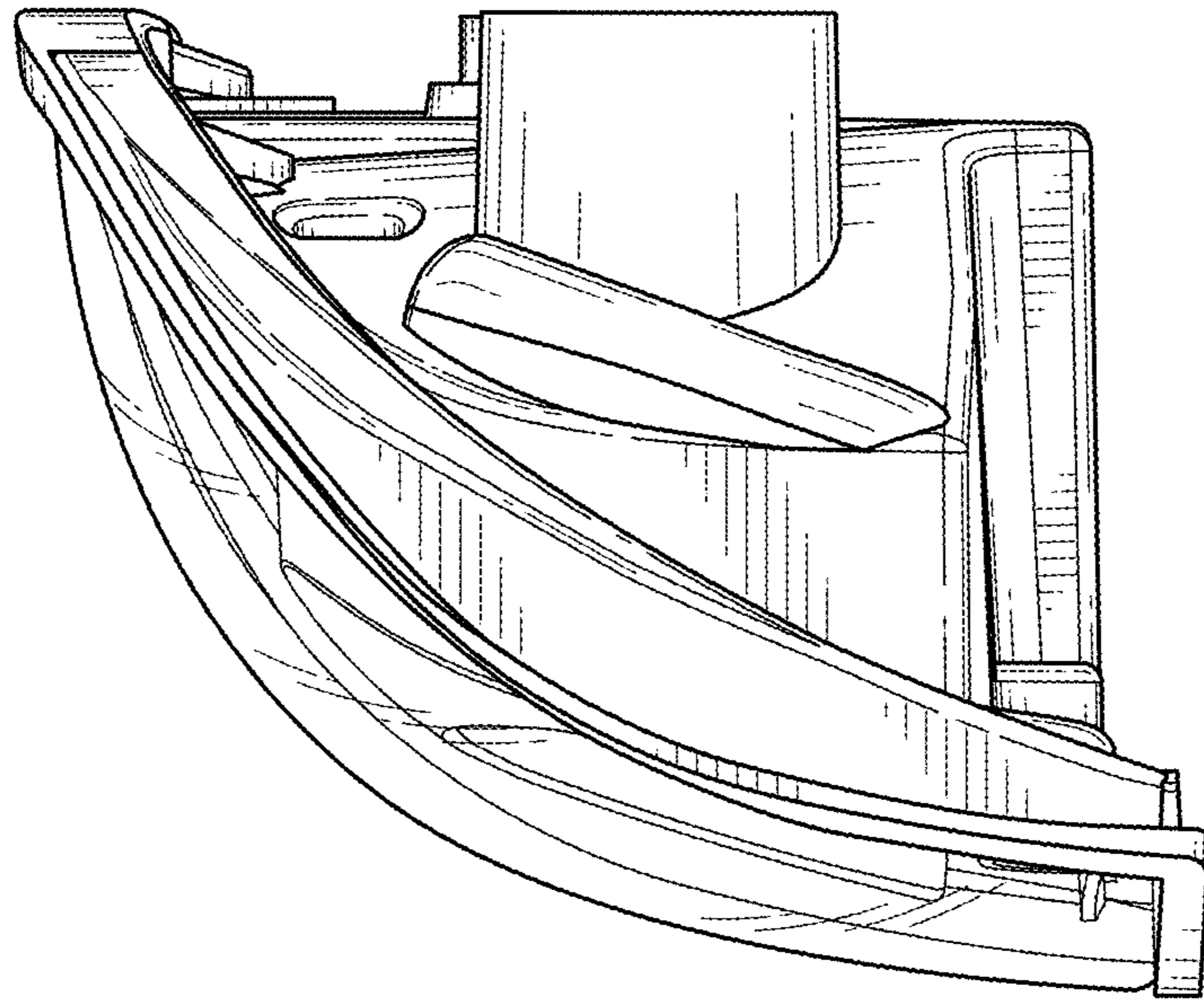


FIG. 4

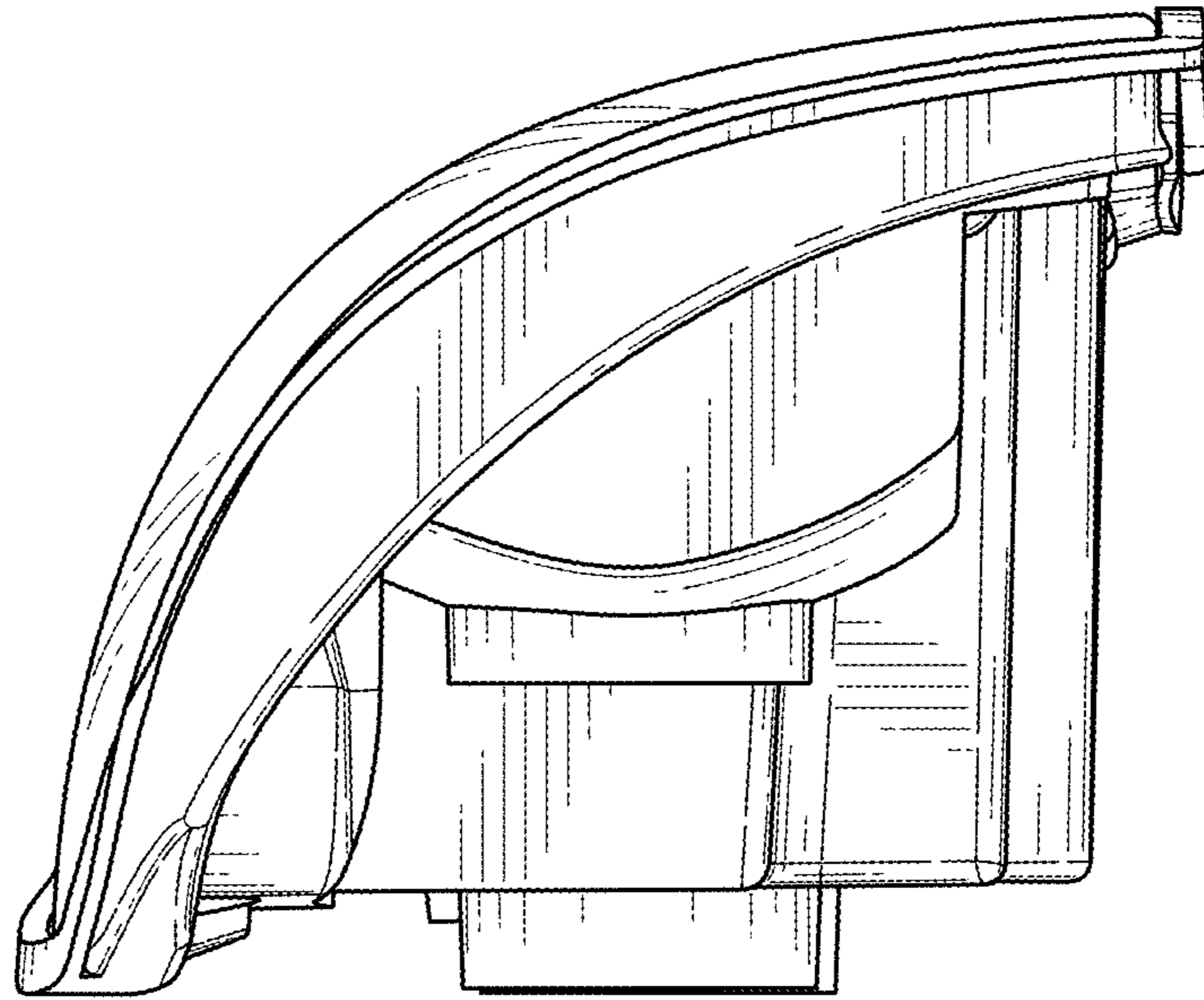


FIG. 5