



US00D932068S

(12) **United States Design Patent**
Fukunaga

(10) **Patent No.:** **US D932,068 S**

(45) **Date of Patent:** **** Sep. 28, 2021**

(54) **FRONT COMBINATION LAMP FOR AN AUTOMOBILE**

(71) Applicant: **TOYOTA JIDOSHA KABUSHIKI KAISHA**, Toyota (JP)

(72) Inventor: **Keisuke Fukunaga**, Kariya (JP)

(73) Assignee: **TOYOTA JIDOSHA KABUSHIKI KAISHA**

(**) Term: **15 Years**

(21) Appl. No.: **29/729,911**

(22) Filed: **Mar. 31, 2020**

(51) **LOC (13) Cl.** **26-06**

(52) **U.S. Cl.**
USPC **D26/28**

(58) **Field of Classification Search**
USPC D26/28, 29, 30, 31, 32, 33, 34, 35, 36, D26/44
CPC F21S 48/00; F21S 48/10; F21S 48/115; F21S 48/225; F21S 48/1233; F21S 48/1266; F21S 48/1388; F21S 48/2268; F21V 21/04; F21W 2103/35; F21W 3/40; F21W 2102/17; F21W 2102/30; F21W 2103/00; F21W 2103/55; F21W 2104/00; F21W 2107/17; F21W 2107/13

See application file for complete search history.

(56) **References Cited**

U.S. PATENT DOCUMENTS

D707,866 S *	6/2014	Yoshida	D26/28
D748,301 S *	1/2016	Sperling	D26/28
D758,626 S *	6/2016	Sperling	D26/28
D759,273 S *	6/2016	Ogihara	D26/28
D781,471 S *	3/2017	Han	D26/28

D807,544 S *	1/2018	Yoshida	D26/28
D841,846 S *	2/2019	Nakamura	D26/28
D842,510 S *	3/2019	Kang	D26/28
D843,034 S *	3/2019	Kim	D26/28
D846,778 S *	4/2019	Hwang	D26/28
D870,334 S *	12/2019	Choi	D26/28
D872,327 S *	1/2020	Iida	D26/28
D908,257 S *	1/2021	Sato	D26/28

OTHER PUBLICATIONS

netcarshow.com, Toyota Mirai (2016), <https://www.netcarshow.com/toyota/2016-mirai/>> available as early as Nov. 31, 2014.
netcarshow.com, Hyundai i20 (2019) <https://www.netcarshow.com/hyundai/2019-i20/>>, available as early as Dec. 31, 2018.
Mercedes-Benz, Mercedes-Benz B Class (2014), <https://mercedes-benz.de/>>, available as early as Dec. 31, 2014.

* cited by examiner

Primary Examiner — Angela J Lee

(74) *Attorney, Agent, or Firm* — Saidman DesignLaw Group, LLC

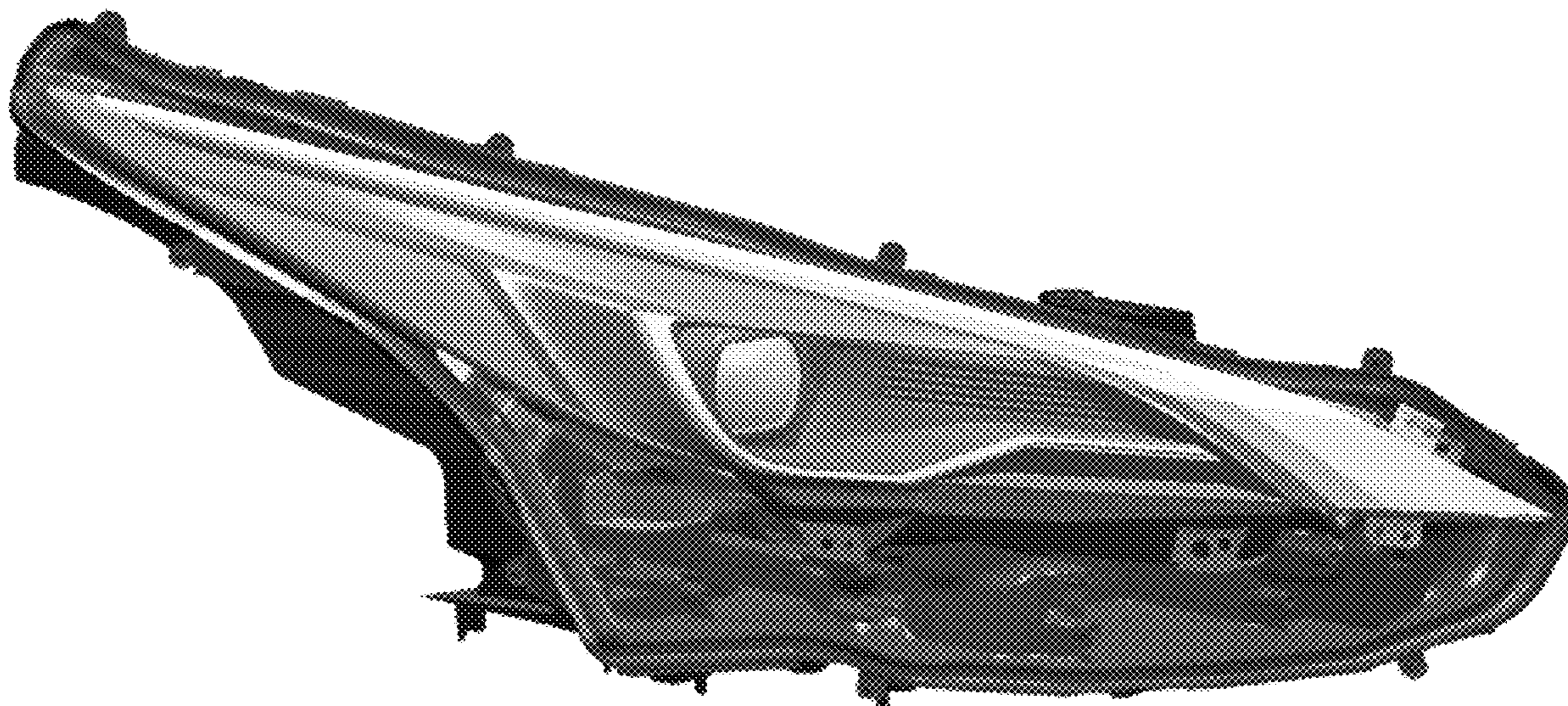
(57) **CLAIM**

The ornamental design for a front combination lamp for an automobile, as shown and described.

DESCRIPTION

FIG. 1 is a perspective view of a front combination lamp for an automobile showing my new design;
FIG. 2 is a front view thereof;
FIG. 3 is a rear view thereof;
FIG. 4 is a right side view thereof;
FIG. 5 is a left side view thereof;
FIG. 6 is a top view thereof; and,
FIG. 7 is a bottom view thereof.

1 Claim, 7 Drawing Sheets



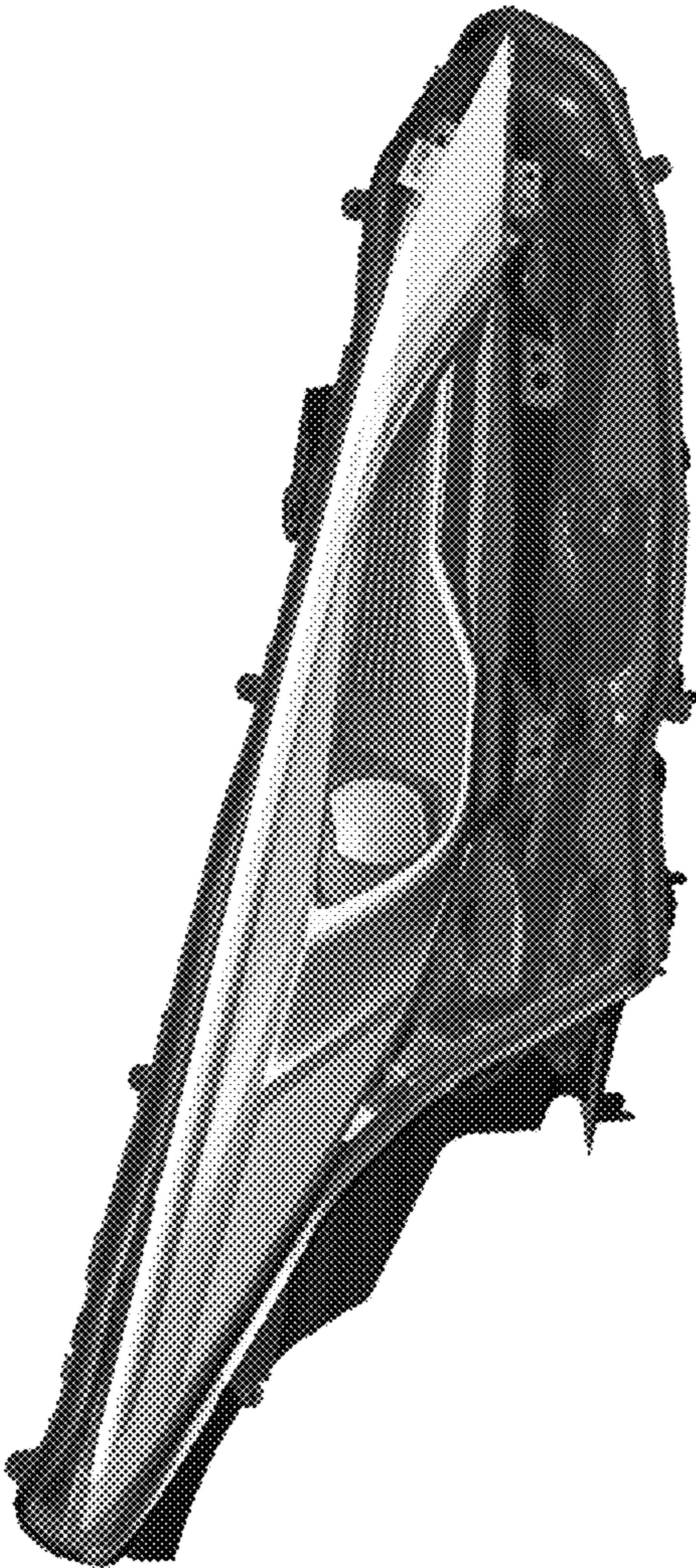


FIG. 1

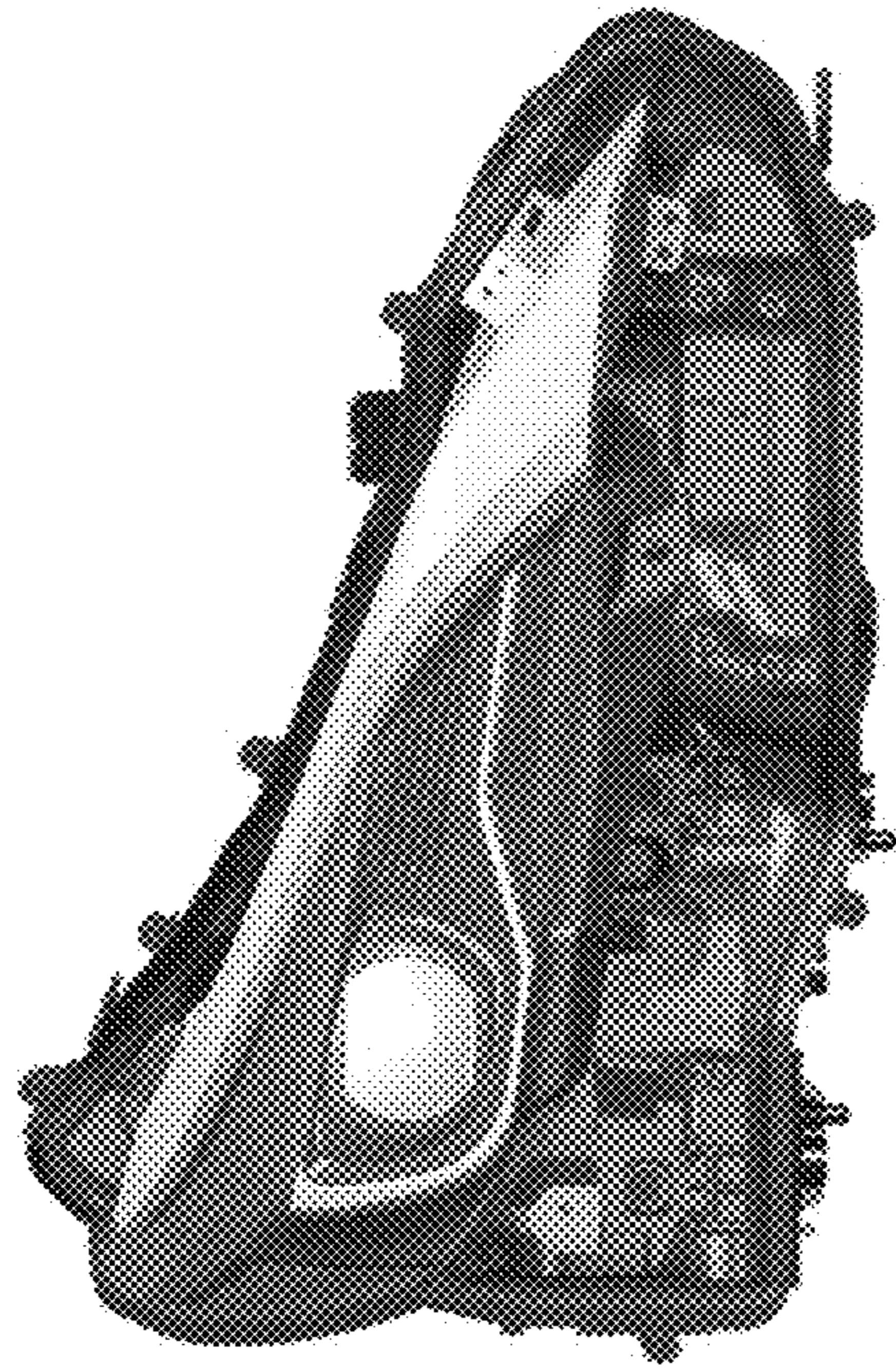


FIG. 2

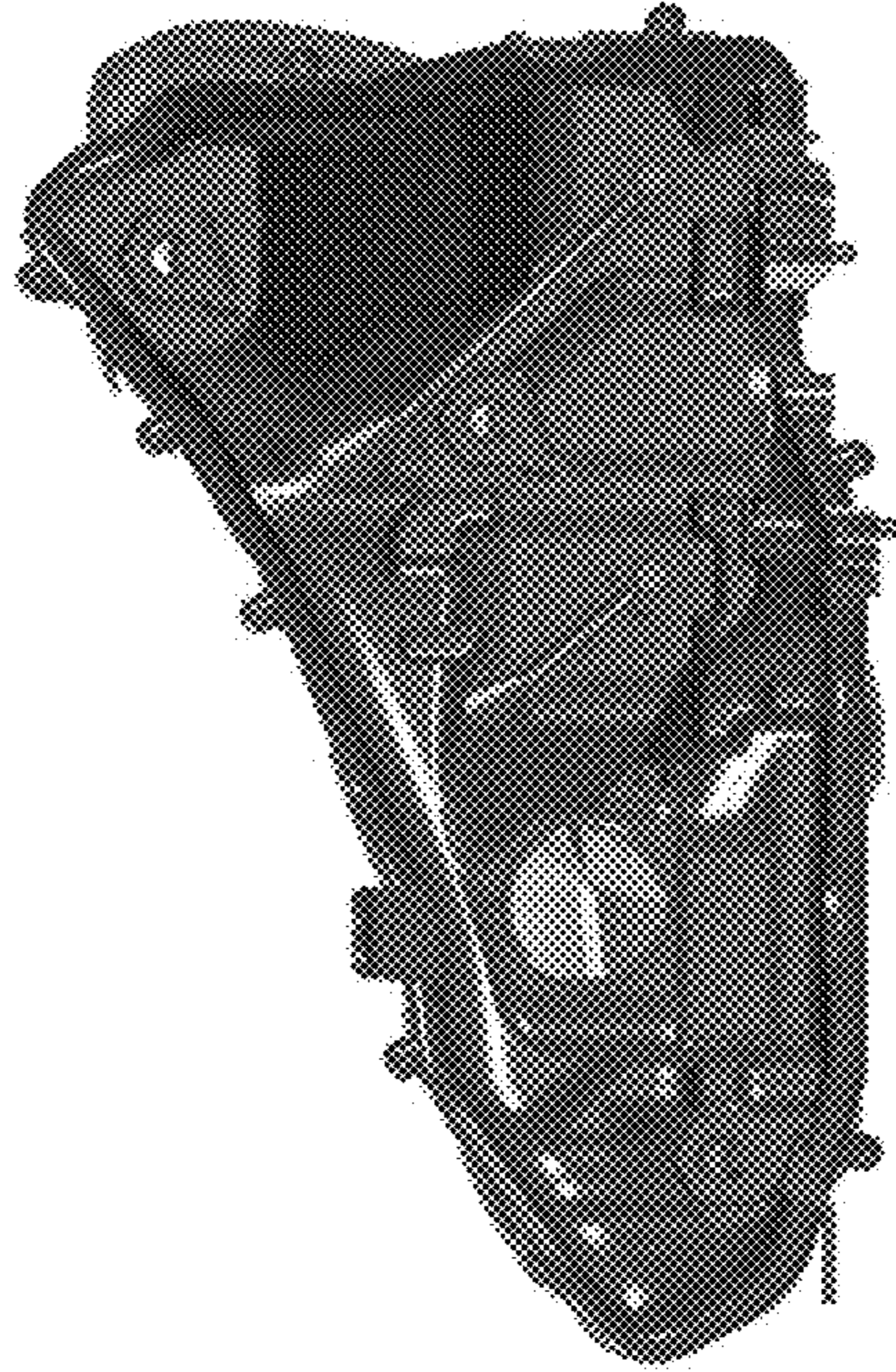


FIG. 3

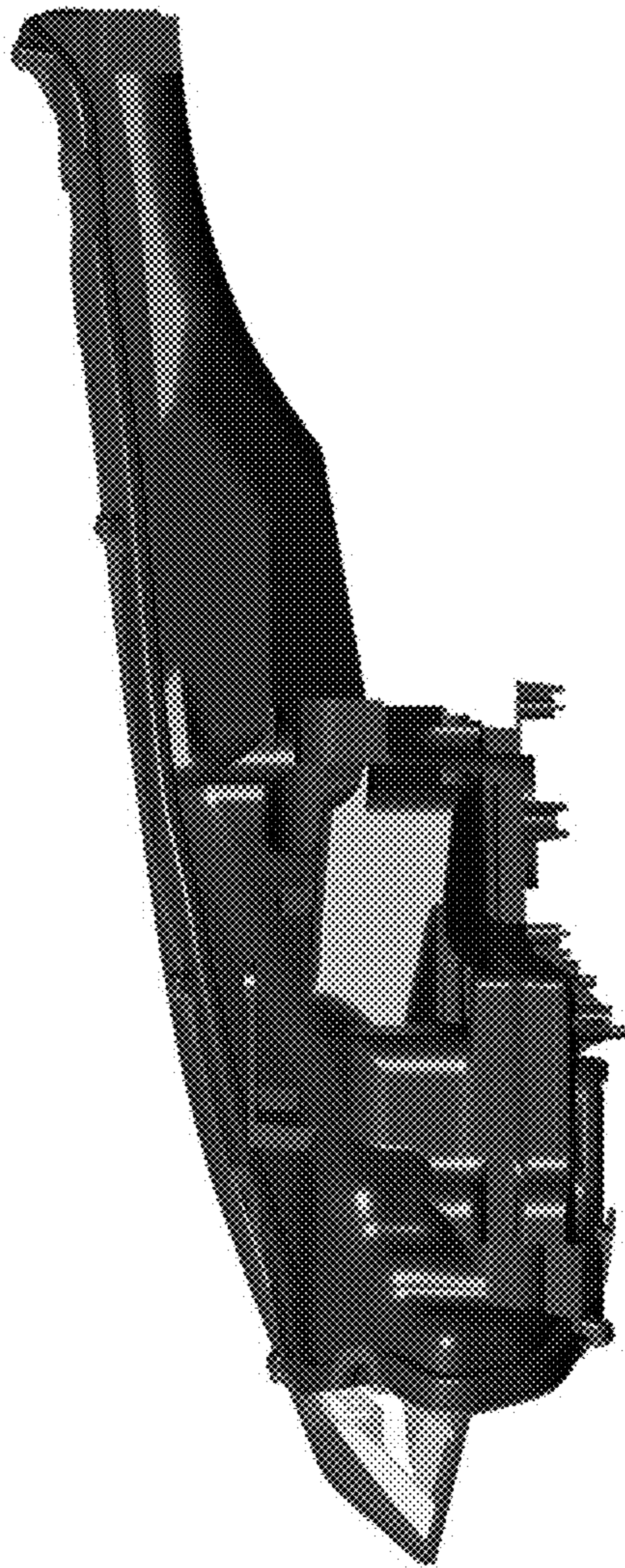


FIG. 4

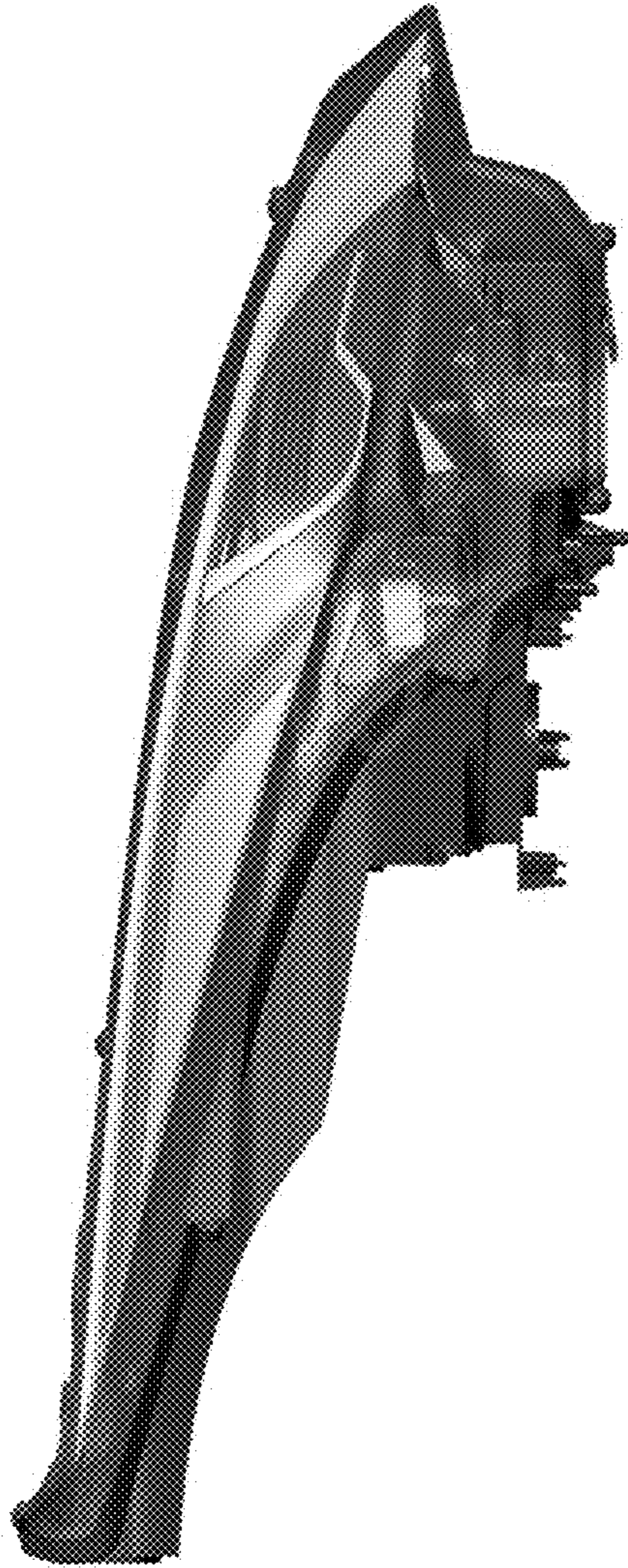


FIG. 5

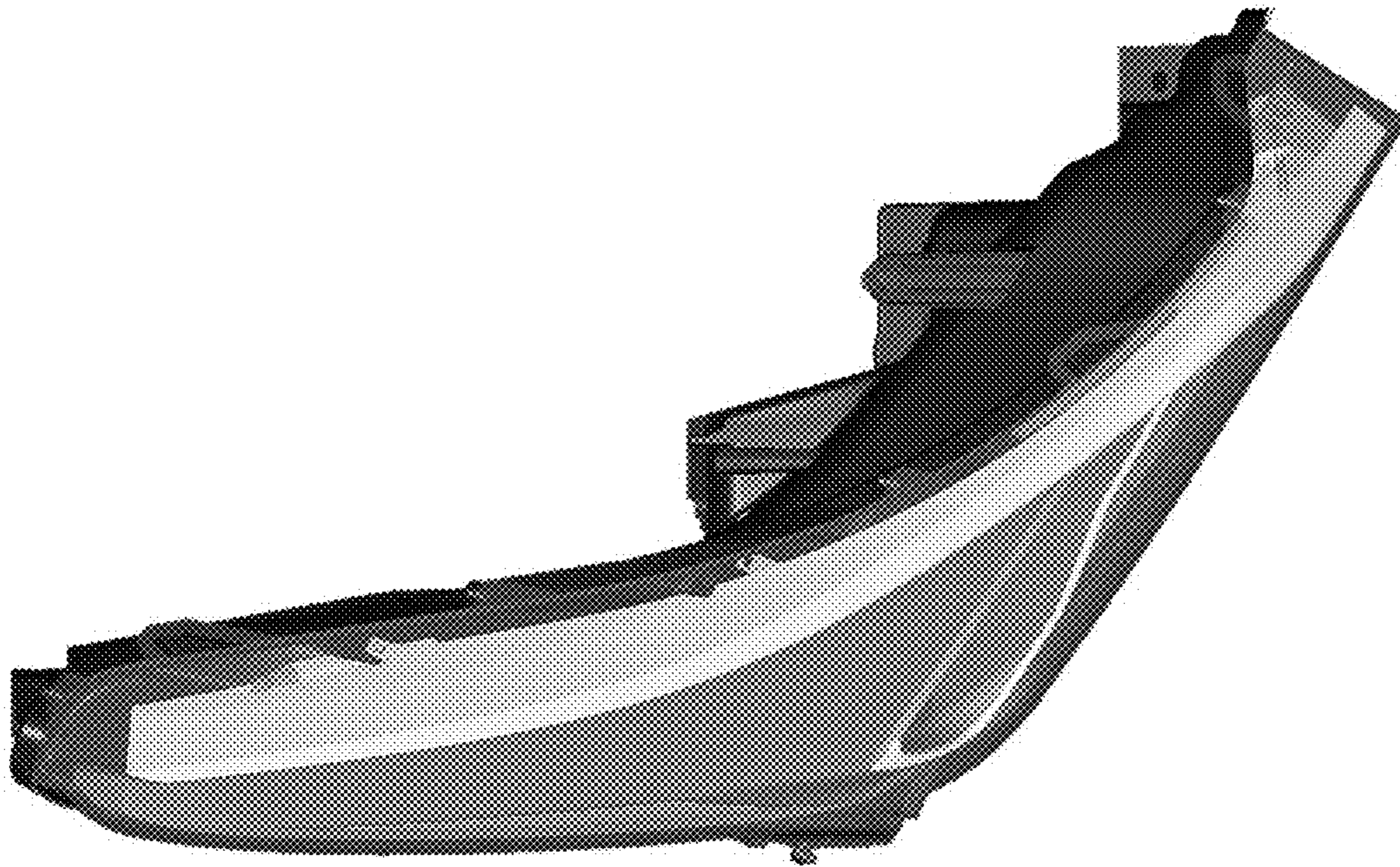


FIG. 6

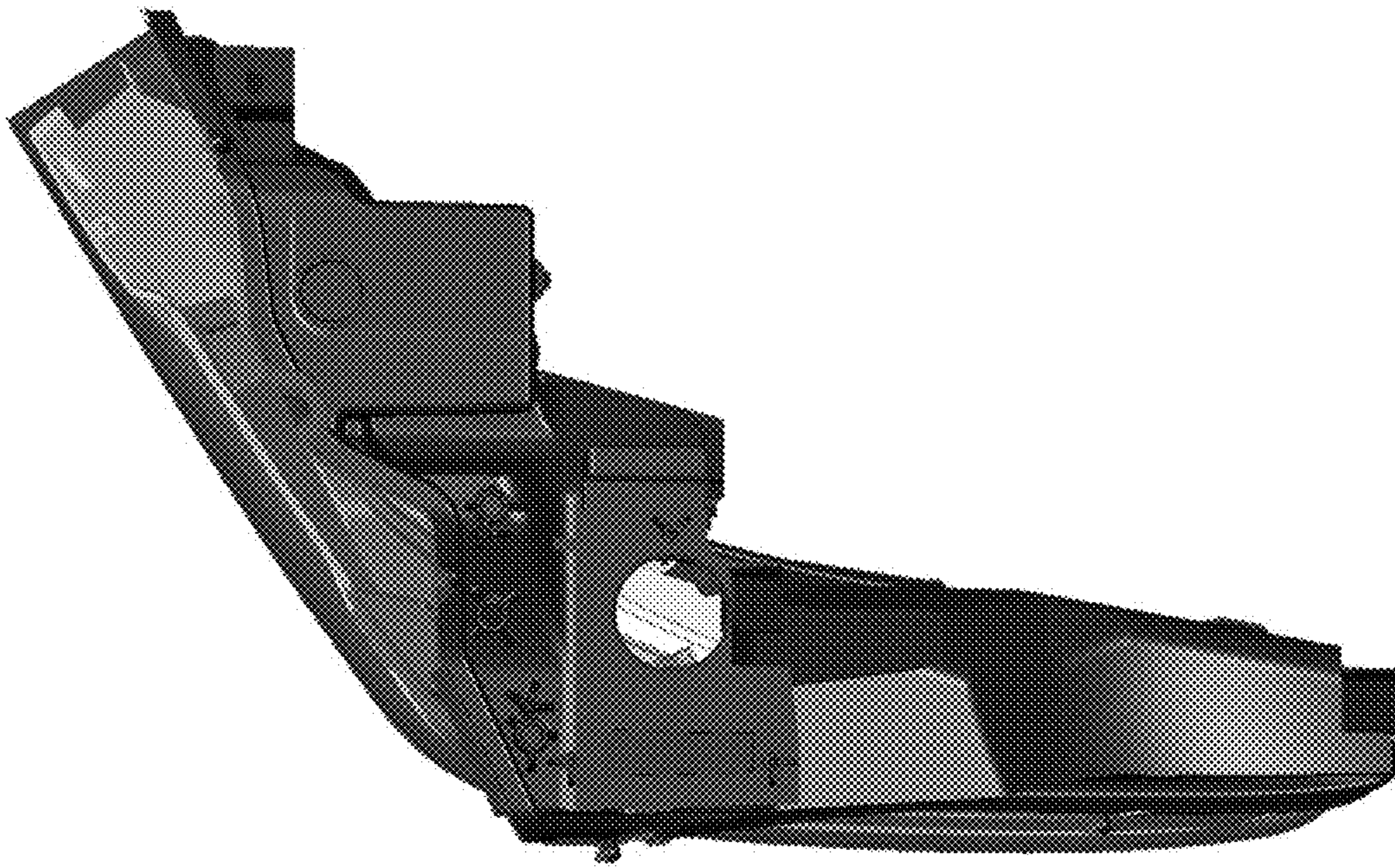


FIG. 7