

US00D932067S

(12) **United States Design Patent** (10) **Patent No.:** **US D932,067 S**  
**Anton** (45) **Date of Patent:** **\*\* Sep. 28, 2021**

(54) **TAILLIGHT FOR A VEHICLE**  
(71) Applicant: **Bayerische Motoren Werke Aktiengesellschaft, Munich (DE)**  
(72) Inventor: **Moritz Anton, Munich (DE)**  
(73) Assignee: **Bayerische Motoren Werke Aktiengesellschaft, Munich (DE)**

(\*\*) Term: **15 Years**  
(21) Appl. No.: **29/722,603**

(22) Filed: **Jan. 31, 2020**

(30) **Foreign Application Priority Data**

Aug. 5, 2019 (DE) ..... 402019100841.1

(51) **LOC (13) Cl.** ..... **26-06**

(52) **U.S. Cl.**  
USPC ..... **D26/28**

(58) **Field of Classification Search**  
USPC ..... D26/28-36, 139  
CPC ..... F21S 48/00; F21S 48/10; F21S 48/115;  
F21S 48/225; F21S 48/1233; F21S 48/1266; F21S 48/1388; F21S 48/2268;  
F21V 21/04; F21V 29/004; B60Q 9/13;  
B60Q 9/135; B60Q 9/1375  
See application file for complete search history.

(56) **References Cited**

**U.S. PATENT DOCUMENTS**

D642,711 S 8/2011 Schneider  
D703,847 S \* 4/2014 MacKay ..... D26/28

D749,246 S \* 2/2016 Thole ..... D26/28  
D761,458 S \* 7/2016 Chung ..... D26/28  
D770,066 S 10/2016 Schneider  
D796,708 S \* 9/2017 Lai ..... D26/28  
D805,229 S 12/2017 Morgenstern  
D812,274 S \* 3/2018 Wu ..... D26/28  
D816,247 S \* 4/2018 Wu ..... D26/28  
D869,018 S \* 12/2019 Dewitt ..... D26/28  
D869,026 S \* 12/2019 Zipfel ..... D26/28

\* cited by examiner

*Primary Examiner* — Marcus A Jackson

(74) *Attorney, Agent, or Firm* — Crowell & Moring LLP

(57) **CLAIM**

The ornamental design for a taillight for a vehicle, as shown and described.

**DESCRIPTION**

This application contains subject matter related to the following co-pending U.S. design patent application: Application Ser. No. 29/722,604, filed herewith and entitled "Taillight for a Vehicle".

FIG. 1 is a front view of a taillight for a vehicle according to the design;

FIG. 2 is a left, bottom perspective view thereof;

FIG. 3 is a right, front perspective view thereof;

FIG. 4 is a left side view thereof;

FIG. 5 is a right side view thereof;

FIG. 6 is a top view thereof;

FIG. 7 is a bottom view thereof; and,

FIG. 8 is a rear view thereof.

**1 Claim, 8 Drawing Sheets**

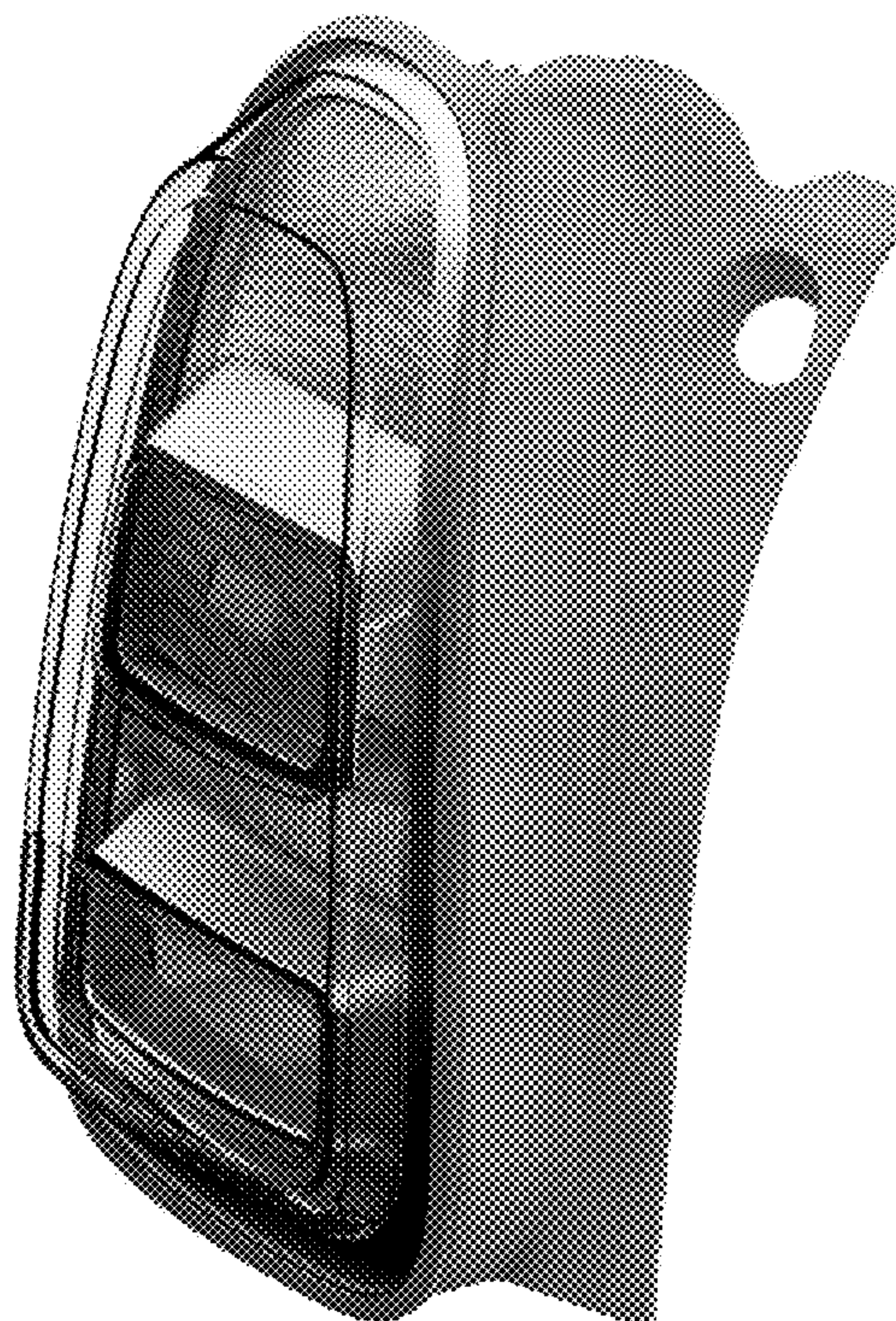






Fig. 1



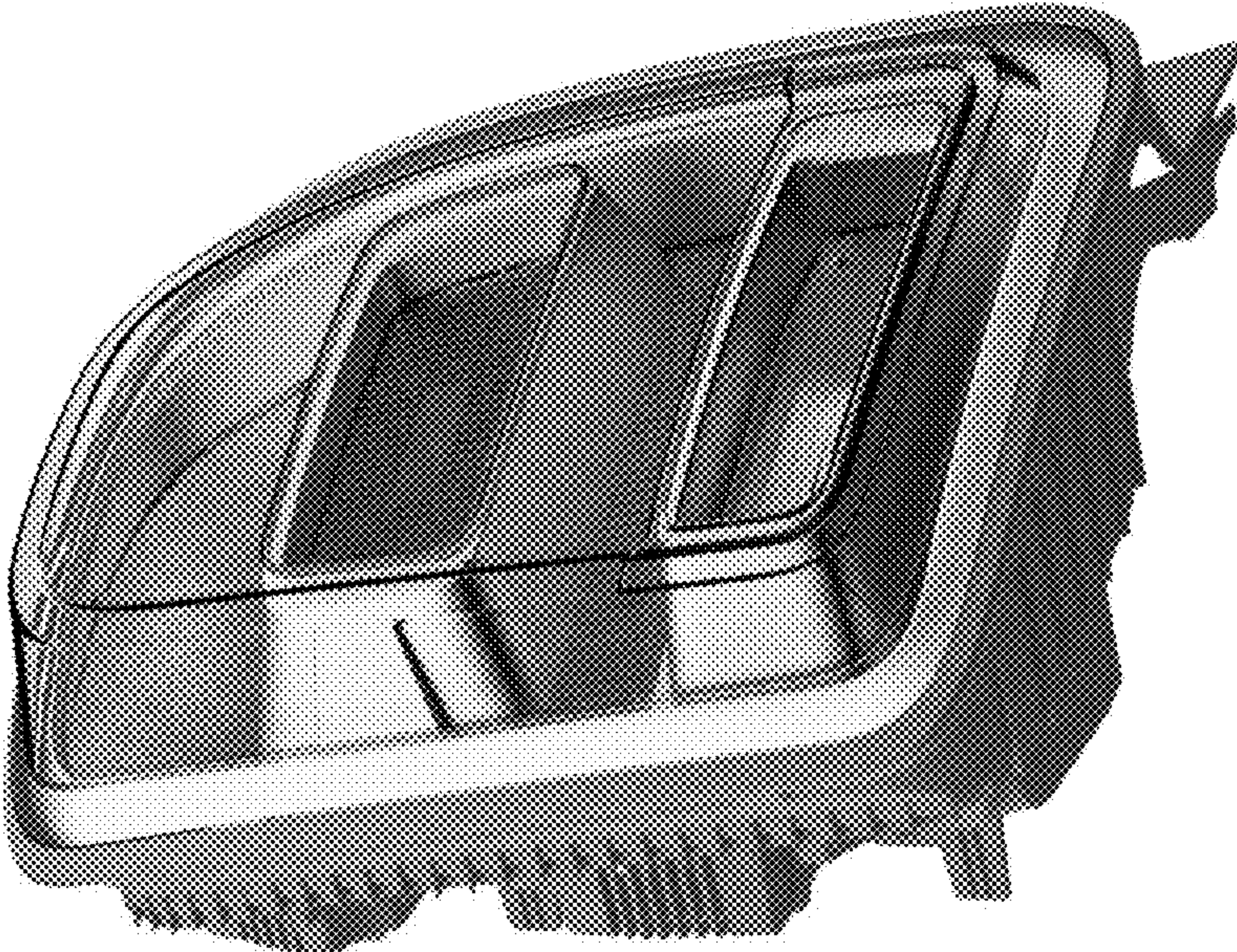


Fig. 2

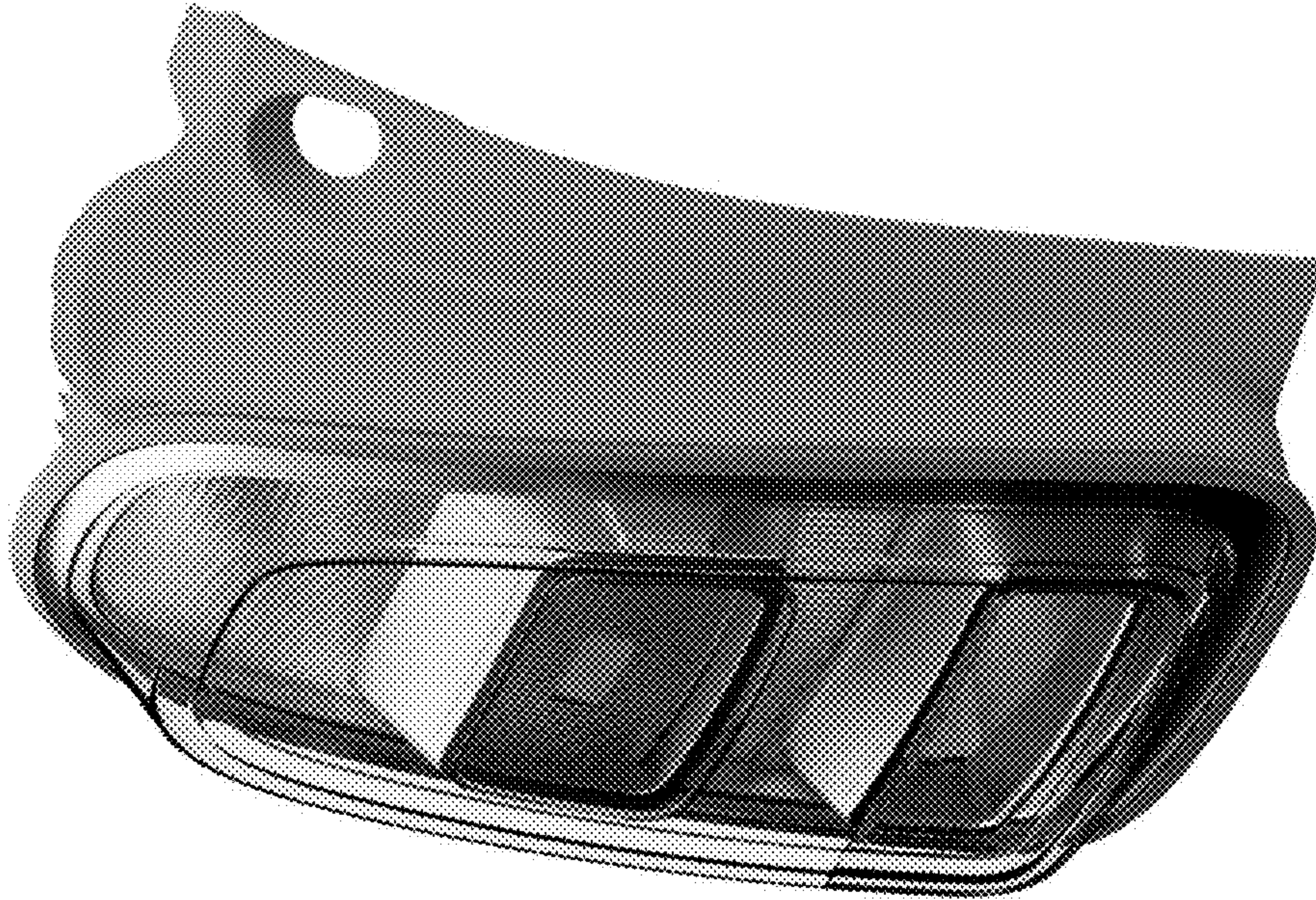


Fig. 3



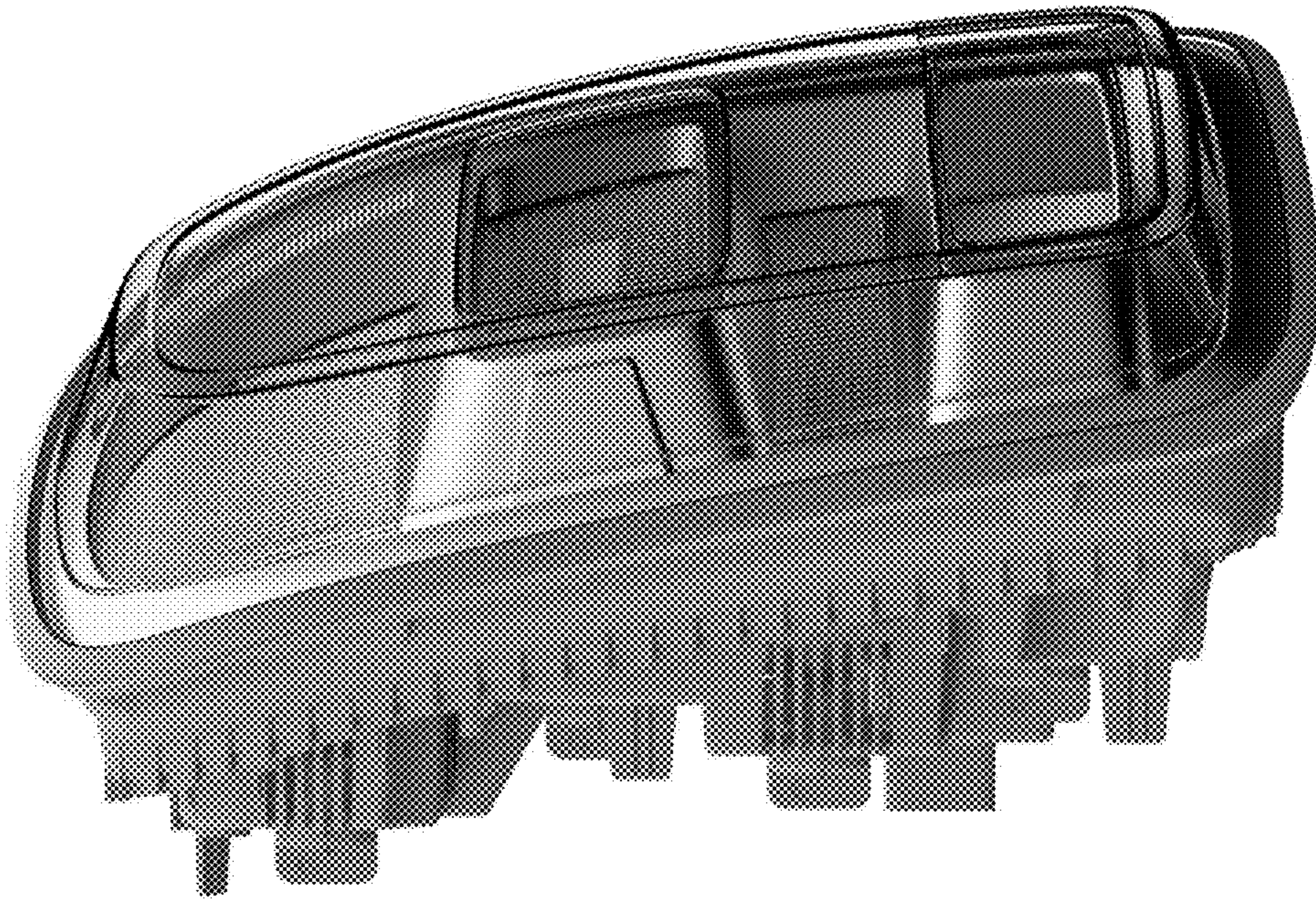


Fig. 4



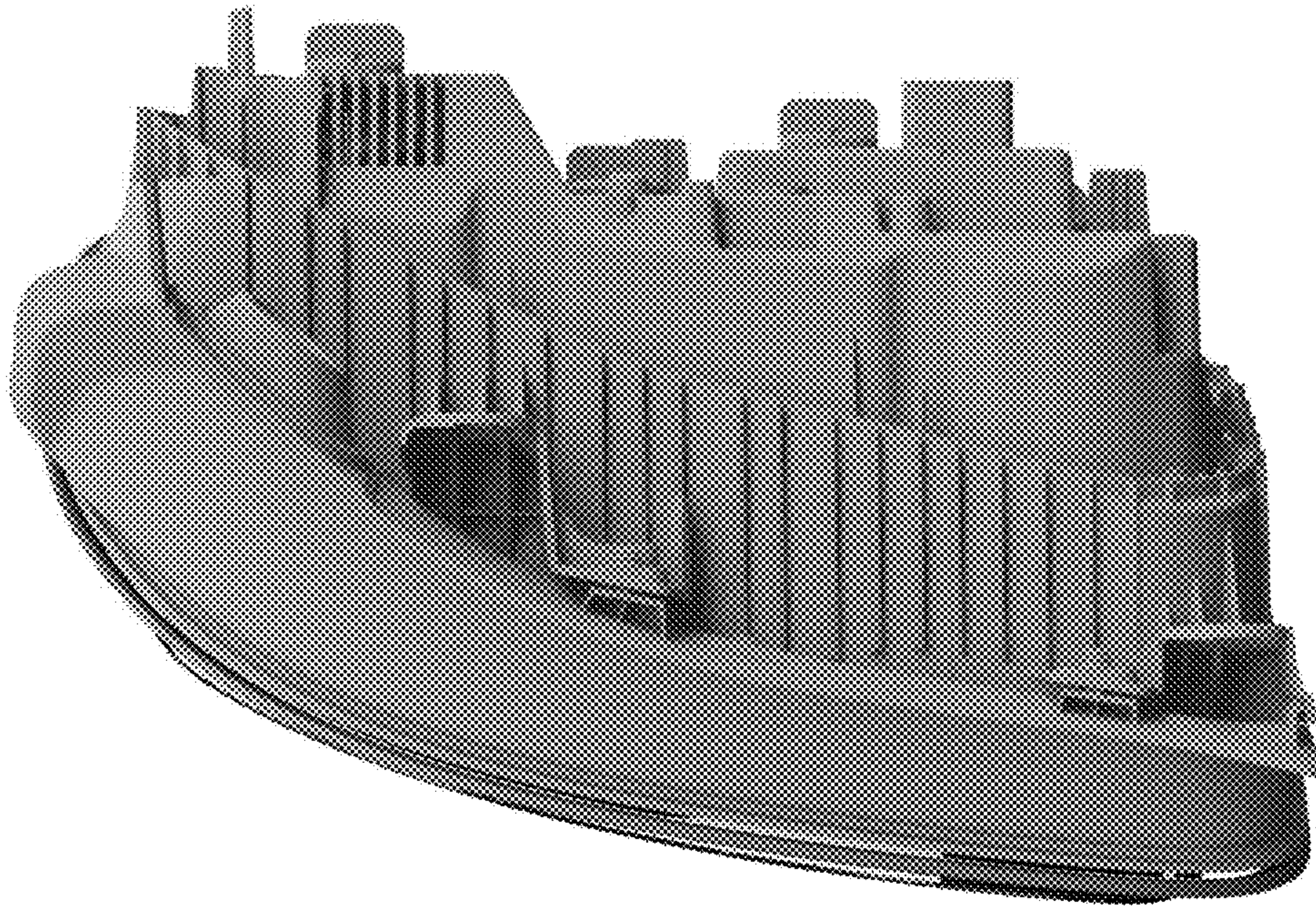


Fig. 5

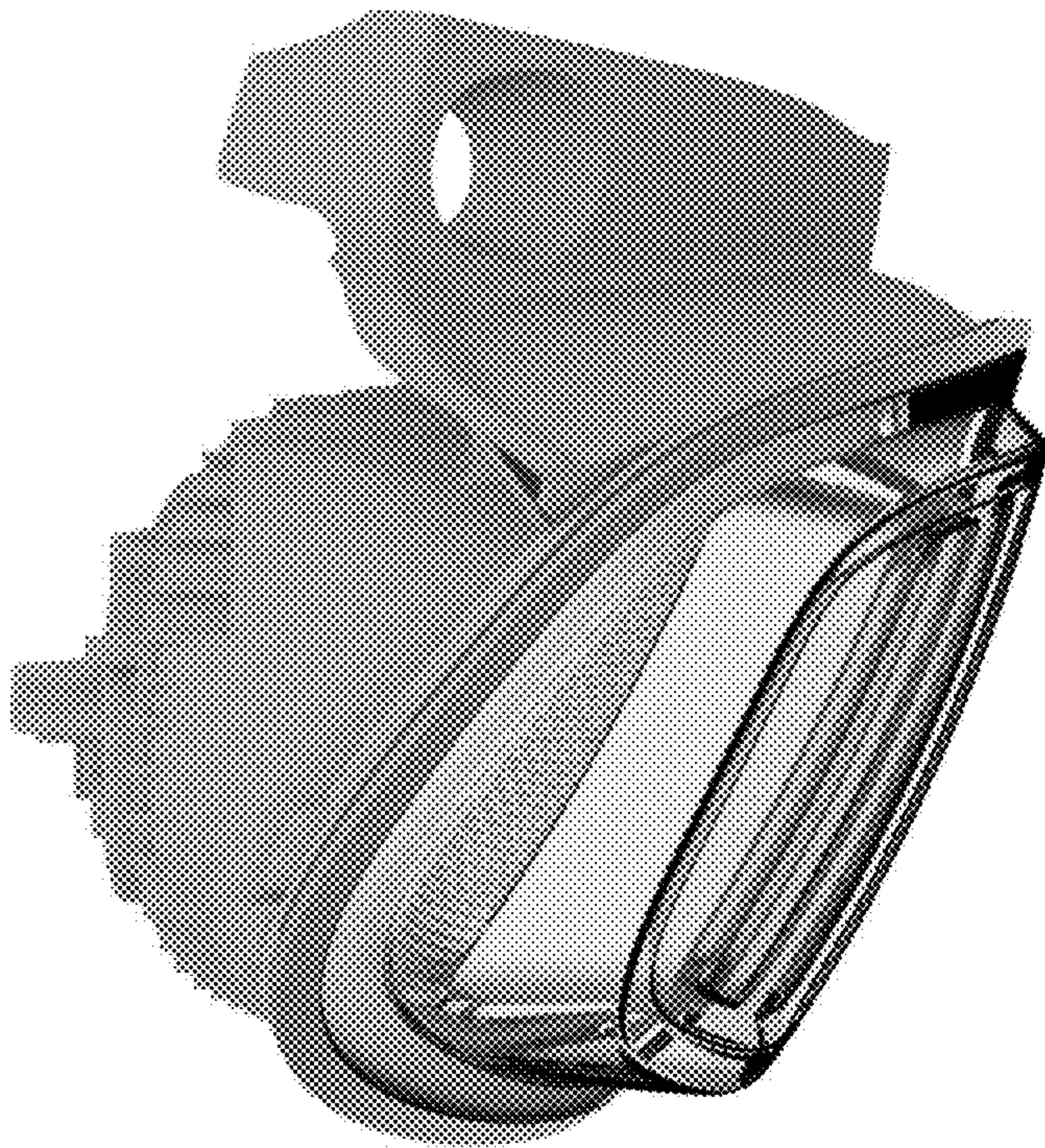


Fig. 6



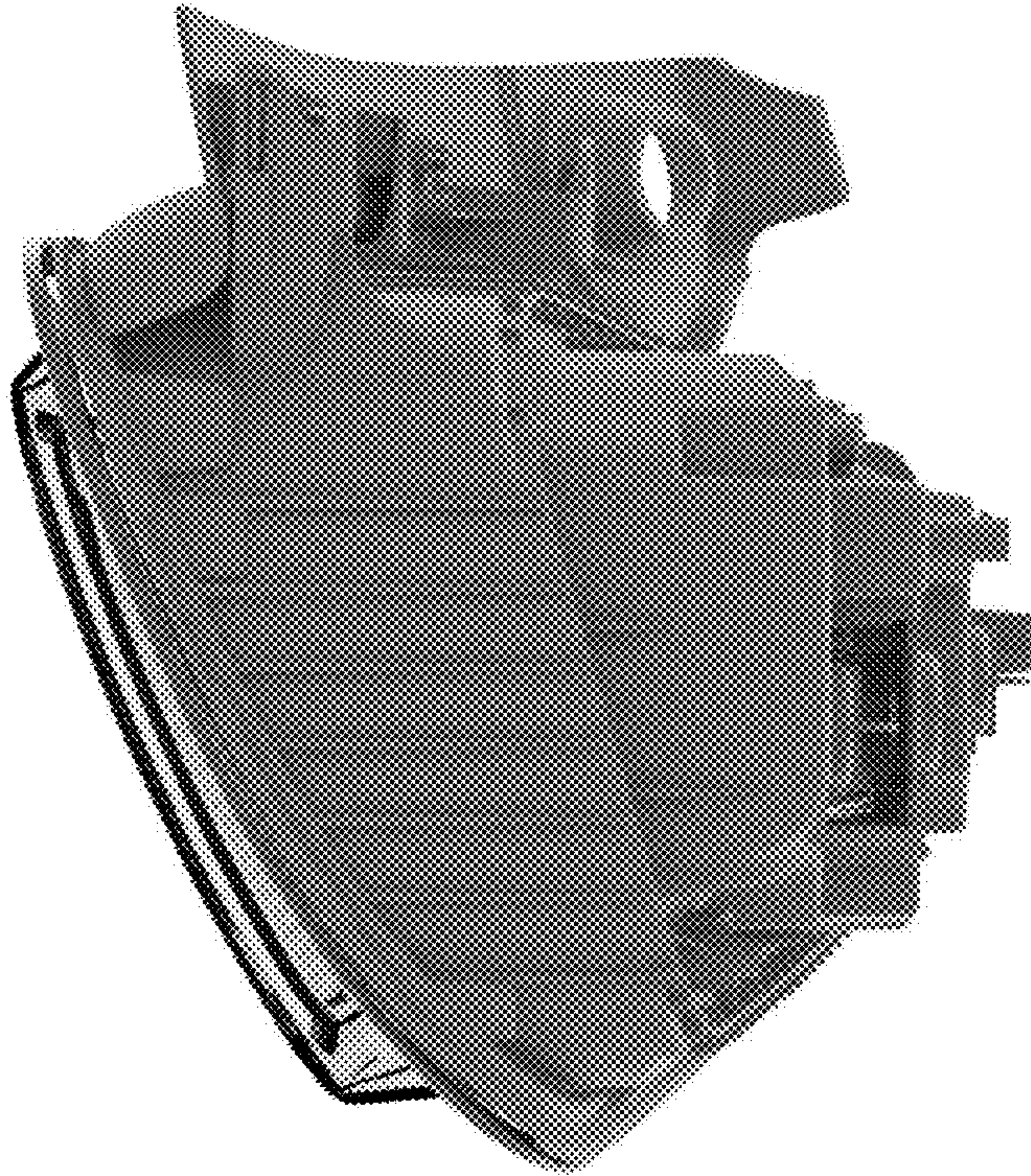


Fig. 7



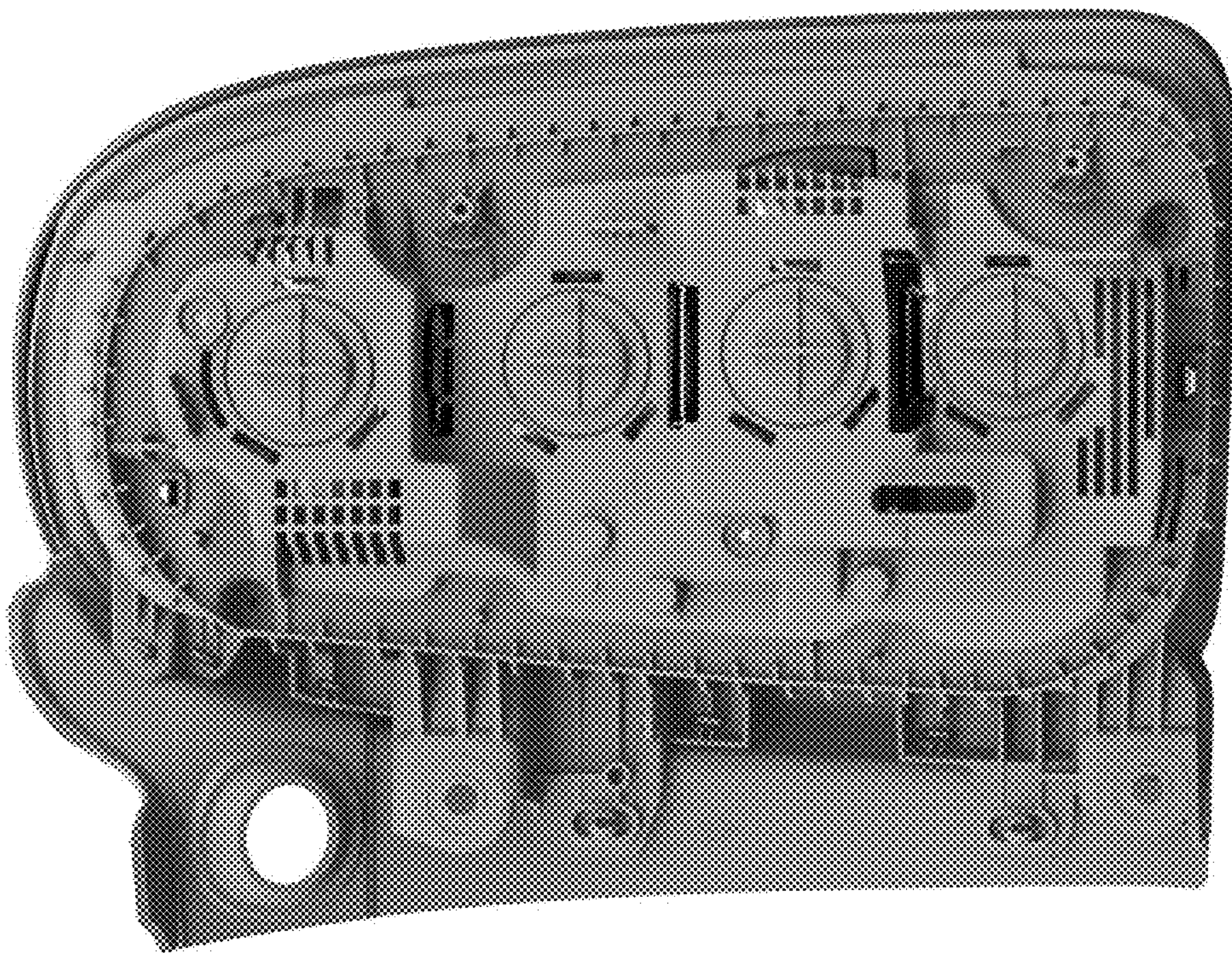


Fig. 8