



US00D932066S

(12) **United States Design Patent**
Nordgren

(10) **Patent No.:** **US D932,066 S**

(45) **Date of Patent:** **** Sep. 28, 2021**

(54) **WORK LIGHT**

(71) Applicant: **Tyri International, Inc.**, Stevens Point, WI (US)

(72) Inventor: **Klas Nordgren**, Gothenburg (SE)

(73) Assignee: **Tyri International, Inc.**, Stevens Point, WI (US)

(**) Term: **15 Years**

(21) Appl. No.: **29/685,213**

(22) Filed: **Mar. 27, 2019**

(51) **LOC (13) Cl.** **26-06**

(52) **U.S. Cl.**
USPC **D26/28; D26/118**

(58) **Field of Classification Search**
USPC ... D26/1, 24, 28, 34, 35, 36, 60, 61, 63, 72, D26/74, 76, 82, 83, 123, 124, 139; D10/104.1, 114.2, 114.3, 114.4
CPC ... B60Q 1/00; B60Q 1/18; B60Q 1/20; B60Q 1/24; B60Q 1/26; B60Q 1/0483; B60Q 1/2619; F21S 43/00; F21S 43/14; F21S 43/242-251; F21S 8/02; F21S 8/003; F21S 41/00; F21S 41/26; F21S 41/162; F21S 41/173; F21V 29/00; F21V 29/74; F21V 29/76; F21V 29/763; F21V 15/00; F21V 15/01; F21V 15/04; F21V 15/012
See application file for complete search history.

(56) **References Cited**

U.S. PATENT DOCUMENTS

D600,838 S	*	9/2009	Kuboshima	D26/28
D625,034 S	*	10/2010	Metzger	D26/28
D642,303 S	*	7/2011	King	D26/28
D646,828 S	*	10/2011	Pan	D26/74
D697,241 S		1/2014	Chen		
D714,488 S	*	9/2014	Chen	D26/123
D718,478 S		11/2014	Adams		

D724,244 S	*	3/2015	Hayez	D26/28
D729,973 S	*	5/2015	Gebhard	D26/138
D730,555 S	*	5/2015	Gebhard	D26/72
D739,577 S		9/2015	Kani		
D780,350 S		2/2017	Dennis et al.		
D788,334 S	*	5/2017	Jacq	D26/28
D793,592 S	*	8/2017	Chen	D26/28
D793,593 S	*	8/2017	Chen	D26/28
D794,844 S	*	8/2017	Leban	D26/28
D798,475 S	*	9/2017	Georgitsis	D26/28
D799,080 S	*	10/2017	Dennis	D26/28
D799,082 S	*	10/2017	Lai	D26/28
D808,551 S	*	1/2018	Chi	D26/28
D815,318 S	*	4/2018	LaMarche	D26/28
D816,261 S	*	4/2018	Jones, III	D26/123
D818,184 S	*	5/2018	Wu	D26/124
D819,876 S	*	6/2018	Wu	D26/124
D821,634 S	*	6/2018	Wu	D26/120
D827,167 S	*	8/2018	Deyaf	D26/28

(Continued)

Primary Examiner — Wan Laymon

Assistant Examiner — Clint A Samuel

(74) *Attorney, Agent, or Firm* — Boyle Fredrickson, S.C.

(57) **CLAIM**

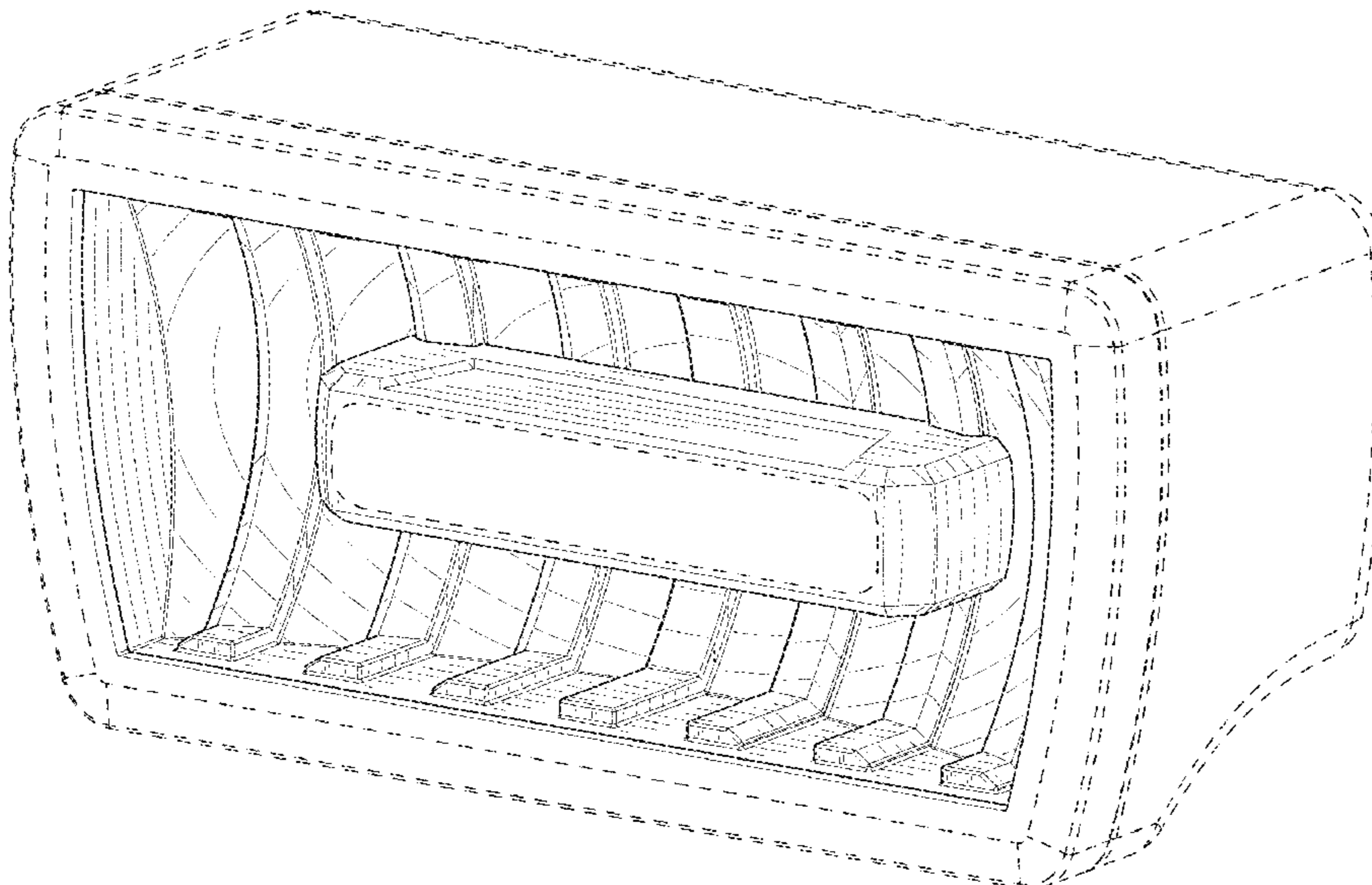
The ornamental design for a work light, as shown and described.

DESCRIPTION

FIG. 1 is a top isometric view of a work light, incorporating my new design;
FIG. 2 is a front elevation view thereof;
FIG. 3 is a top plan view thereof;
FIG. 4 is a right side elevation view thereof;
FIG. 5 is a left side elevation view thereof;
FIG. 6 is a rear elevation view thereof; and,
FIG. 7 is a bottom plan view thereof.

The broken lines shown in the drawings are for the purpose of illustrating environmental structure and form no part of the claimed design.

1 Claim, 7 Drawing Sheets



(56)

References Cited

U.S. PATENT DOCUMENTS

D827,883	S	*	9/2018	Deyaf	D26/28
D839,458	S	*	1/2019	Ting	D26/28
D843,620	S	*	3/2019	LaMarche	D26/28
D848,651	S	*	5/2019	Ko	D26/36
D852,395	S	*	6/2019	Chen	D26/36
D861,202	S	*	9/2019	Renvall	D26/28
D863,614	S	*	10/2019	Renvall	D26/28
D863,615	S	*	10/2019	Renvall	D26/28
D863,616	S	*	10/2019	Renvall	D26/28
D863,617	S	*	10/2019	Lindholm	D26/28
D864,446	S	*	10/2019	Lai	D26/28
D874,037	S	*	1/2020	Grabowski	D26/28
D882,836	S	*	4/2020	Dennis	D26/28
D886,343	S	*	6/2020	Chen	D26/28
D904,654	S	*	12/2020	Horn	D26/28
D906,557	S	*	12/2020	Patel	D26/28
D914,252	S	*	3/2021	Maxey	D26/24
D917,751	S	*	4/2021	Chen	D26/28
D919,139	S	*	5/2021	Wu	D26/28
2021/0108777	A1	*	4/2021	LaMarche	B60Q 1/30

* cited by examiner

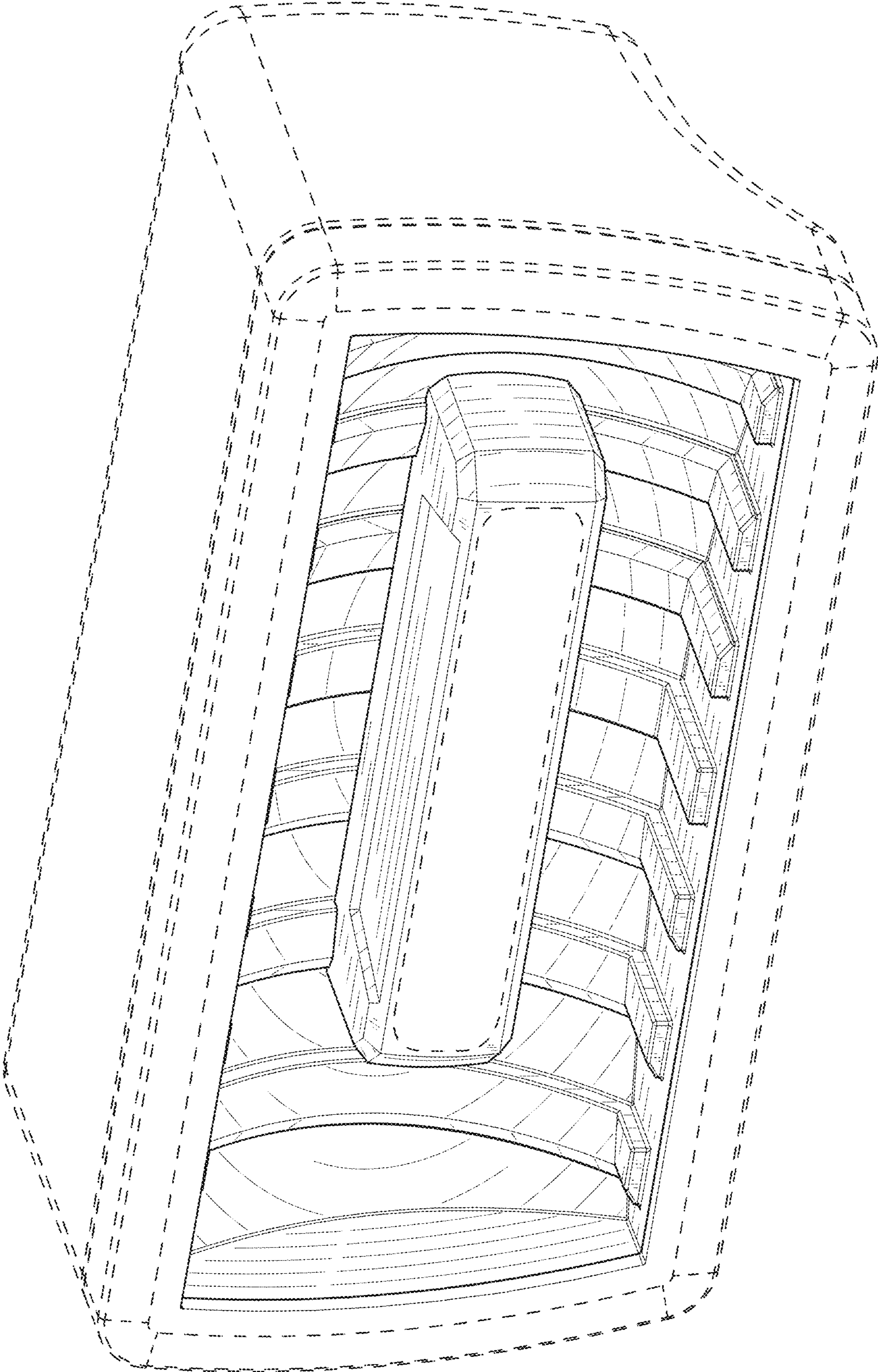


FIG. 1

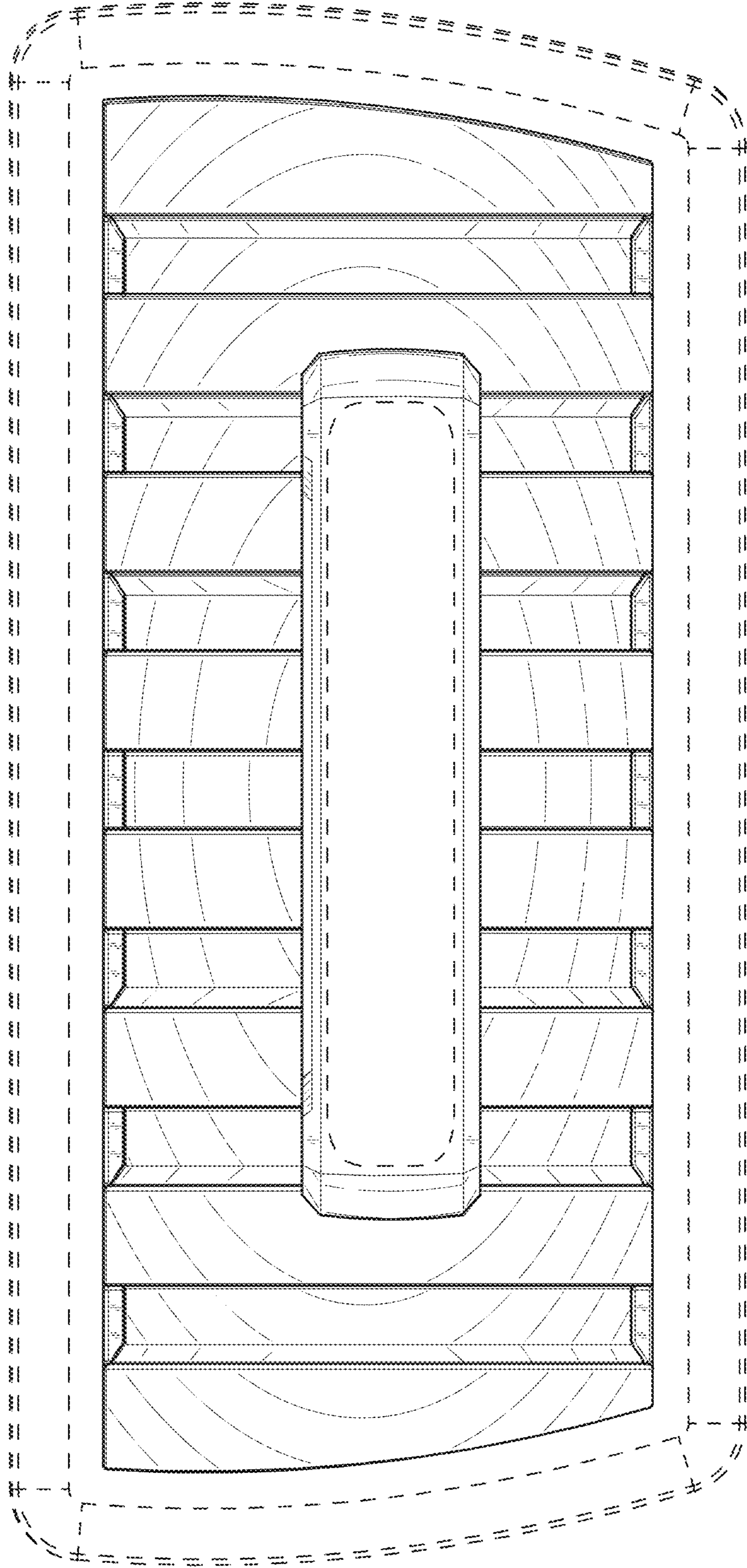


FIG. 2

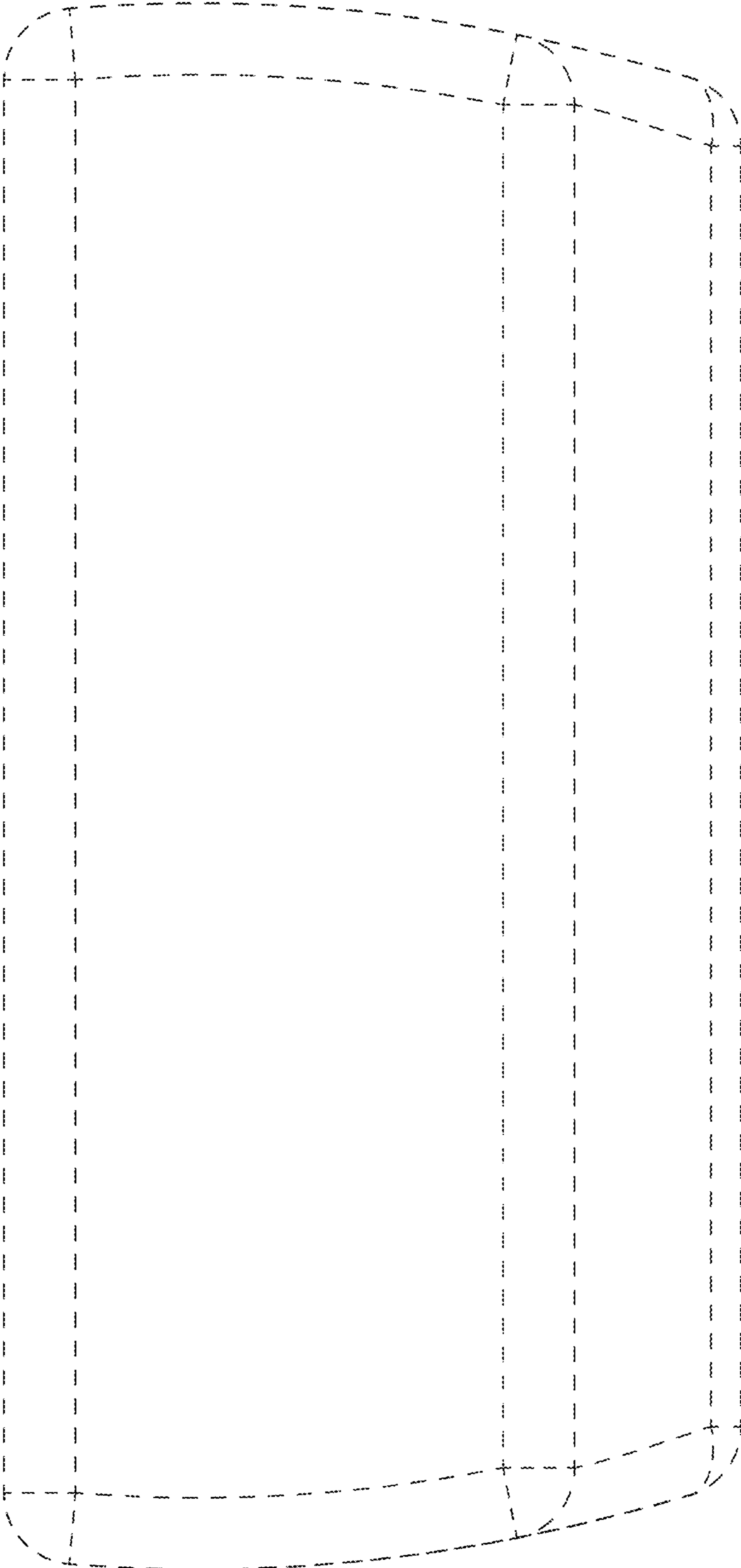


FIG. 3

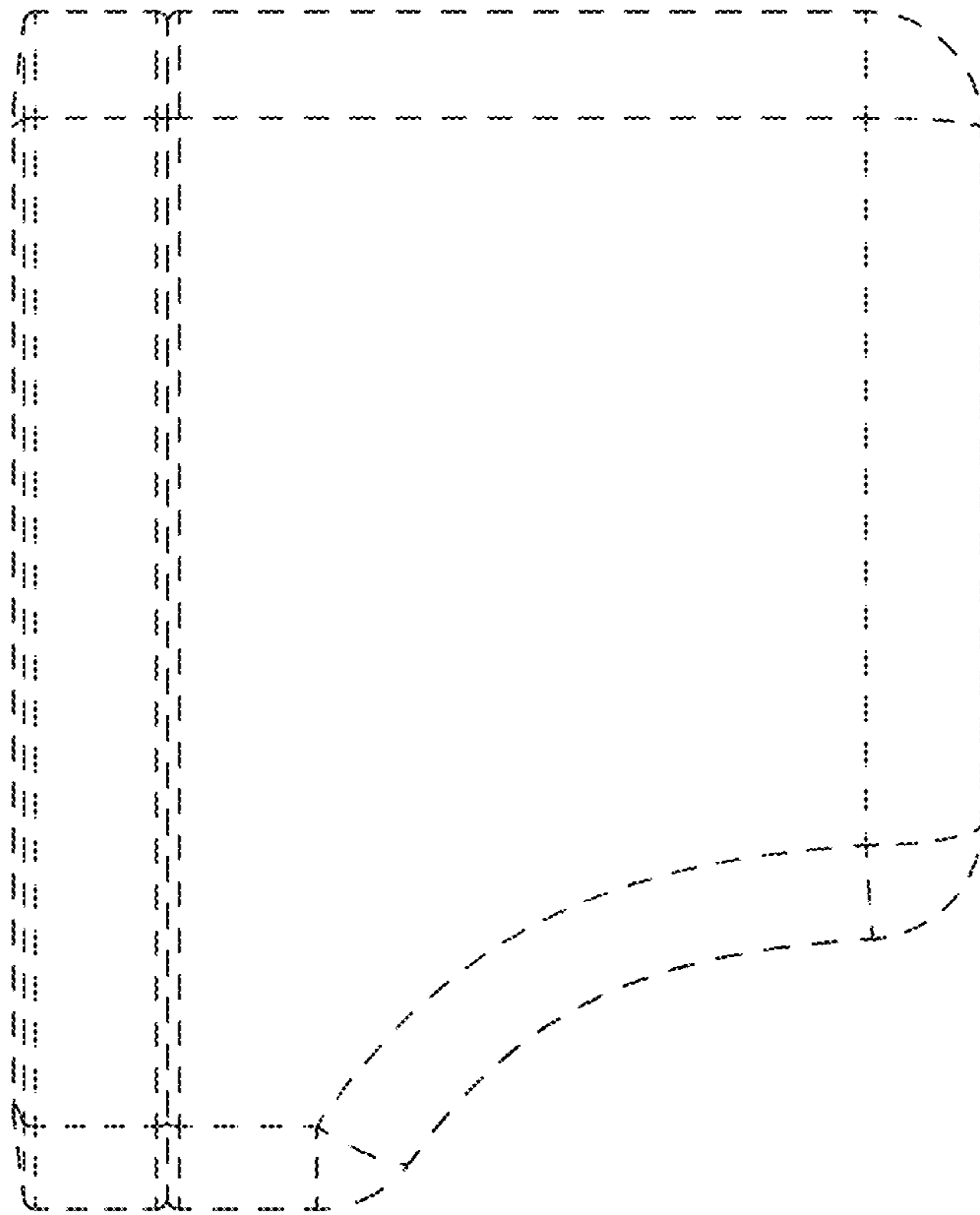


FIG. 4

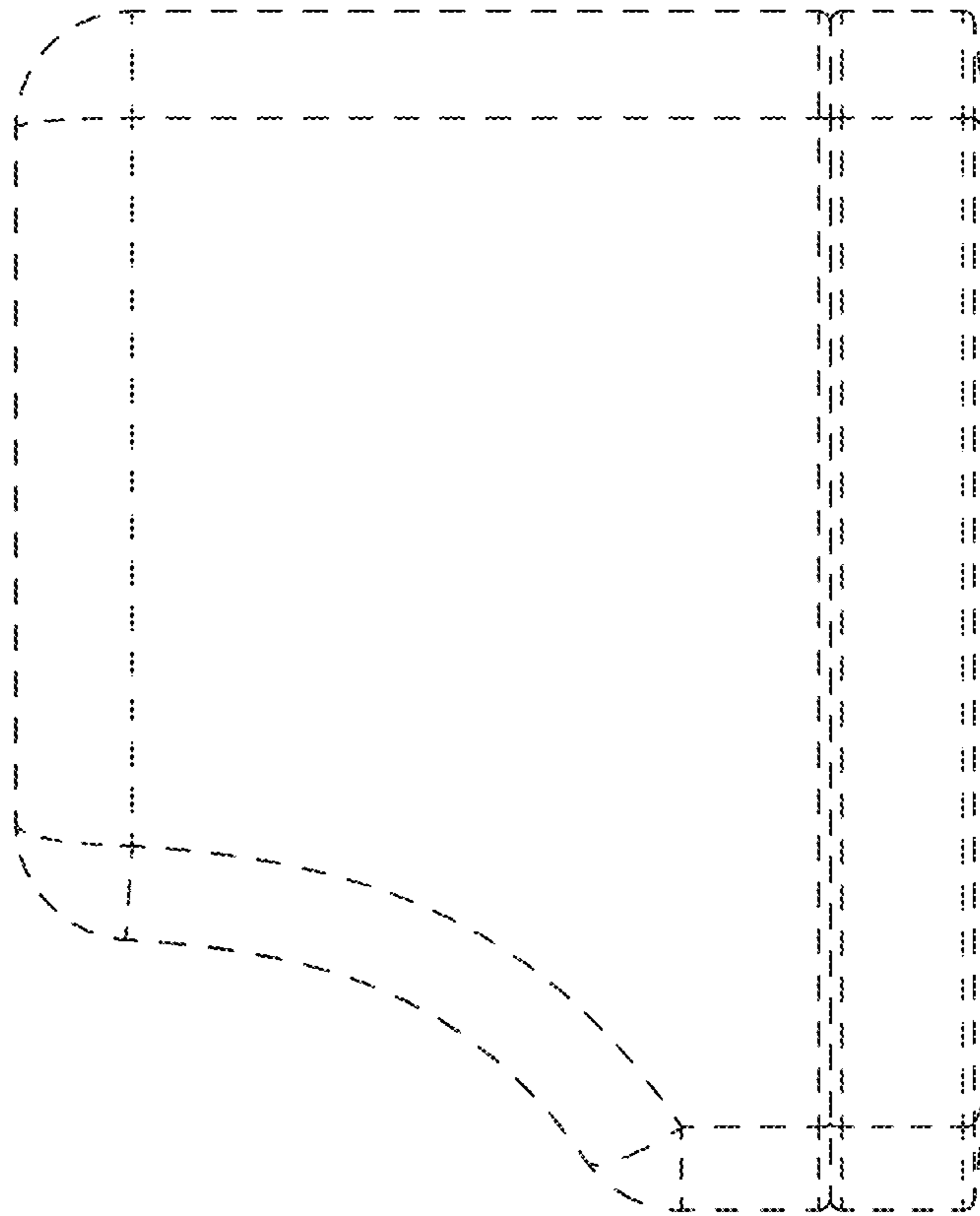


FIG. 5

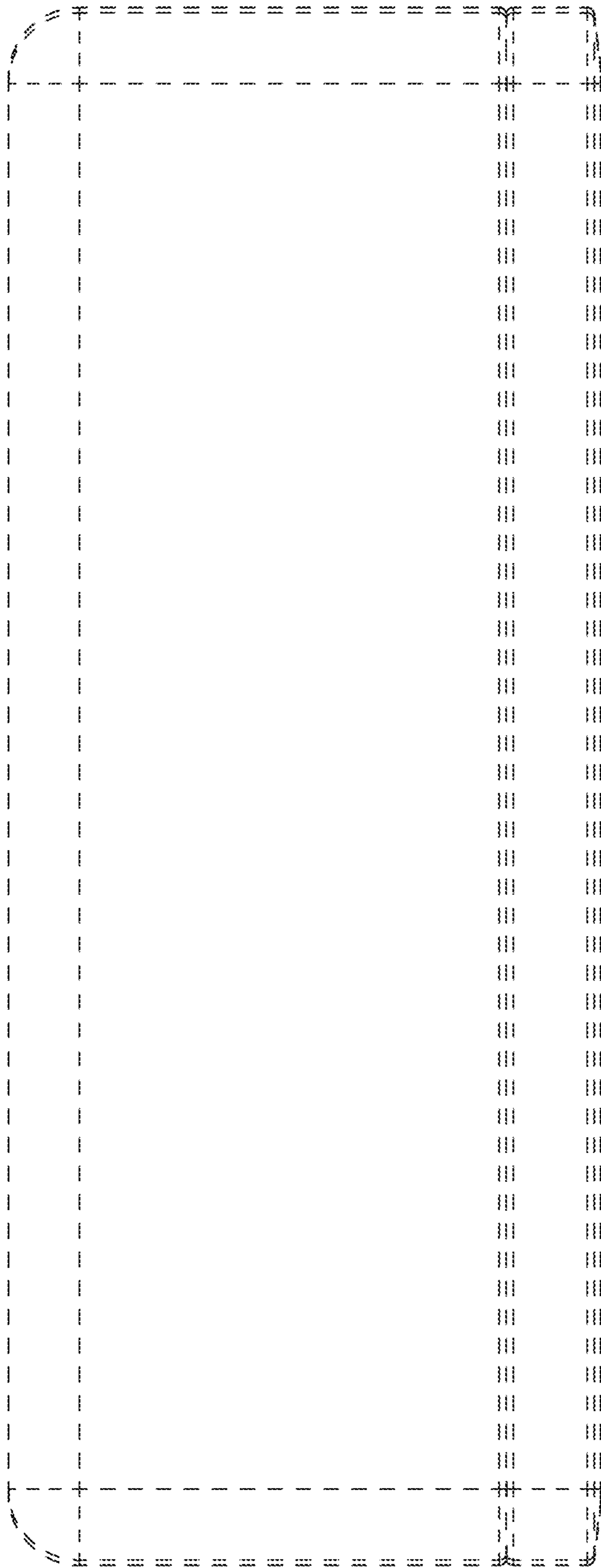


FIG. 6

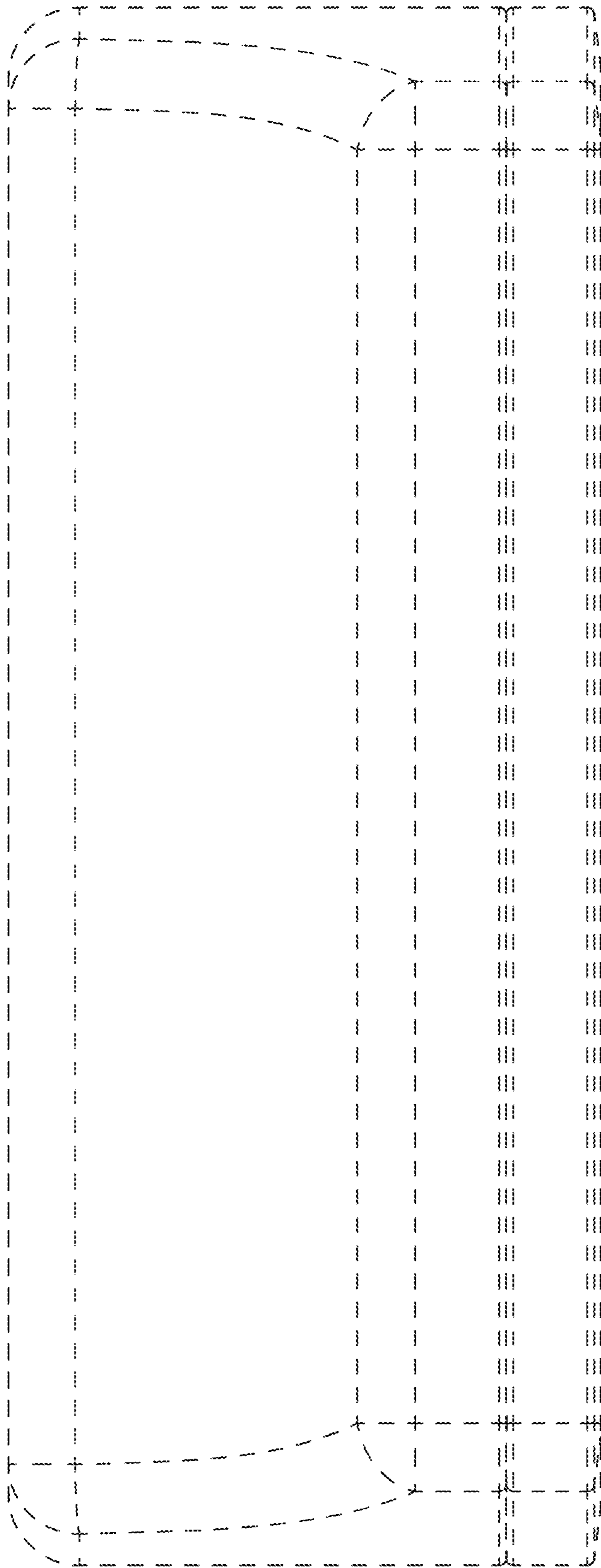


FIG. 7