



US00D932065S

(12) **United States Design Patent**
Mecker et al.

(10) **Patent No.:** **US D932,065 S**

(45) **Date of Patent:** **** Sep. 28, 2021**

(54) **JAR**

(71) Applicant: **S. C. JOHNSON & SON, INC.**,
Racine, WI (US)

(72) Inventors: **Alex Mecker**, Chicago, IL (US); **James T. Walker**, Racine, WI (US)

(73) Assignee: **S. C. Johnson & Son, Inc.**, Racine, WI (US)

(**) Term: **15 Years**

(21) Appl. No.: **29/655,435**

(22) Filed: **Jul. 3, 2018**

(51) **LOC (13) Cl.** **26-01**

(52) **U.S. Cl.**
USPC **D26/9; D9/516; D9/549**

(58) **Field of Classification Search**
USPC D26/9-23, 96; D11/143, 144, 146, 152,
D11/131; D23/366; D7/354, 601, 602,
D7/603, 605, 608, 610, 612, 615, 509,
D7/523, 550.1, 554.1, 554.2, 619.1, 607,
D7/624.1, 624.2; D9/516, 549, 428, 772,
D9/783, 716

(Continued)

(56) **References Cited**

U.S. PATENT DOCUMENTS

2,012,113 A 8/1935 Thompson
D125,932 S 3/1941 Guild

(Continued)

FOREIGN PATENT DOCUMENTS

CA 116208 S 2/2008
EM 000658828-0002 1/2007

(Continued)

OTHER PUBLICATIONS

Amazon.com “Glade Candle Apple Cinnamon, Fragrance Candle Infused with Essential Oils, Air Freshener Candle, 3-Wick Candle, 6.8 Oz, 3 Count” (online) first available Sep. 1, 2019. Retrieved from Internet Jul. 15, 2021, URL: <https://www.amazon.com/Glade-Cinnamon-Fragrance-Infused-Essential/dp/B07XK924S3> (11 pages).*

(Continued)

Primary Examiner — Wendy L Arminio

(74) *Attorney, Agent, or Firm* — Quarles & Brady LLP

(57) **CLAIM**

The ornamental design for a jar, as shown and described.

DESCRIPTION

FIG. 1 is an isometric view of a top, front, and interior of a first embodiment of a jar;

FIG. 2 is a front elevational view of the jar of FIG. 1;

FIG. 3 is a rear elevational view of the jar of FIG. 1;

FIG. 4 is a right side elevational view of the jar of FIG. 1;

FIG. 5 is a left side elevational view of the jar of FIG. 1;

FIG. 6 is a top plan view of the jar of FIG. 1;

FIG. 7 is an isometric view of a top, front, and interior of a second embodiment of a jar;

FIG. 8 is a front elevational view of the jar of FIG. 7;

FIG. 9 is a rear elevational view of the jar of FIG. 7;

FIG. 10 is a right side elevational view of the jar of FIG. 7;

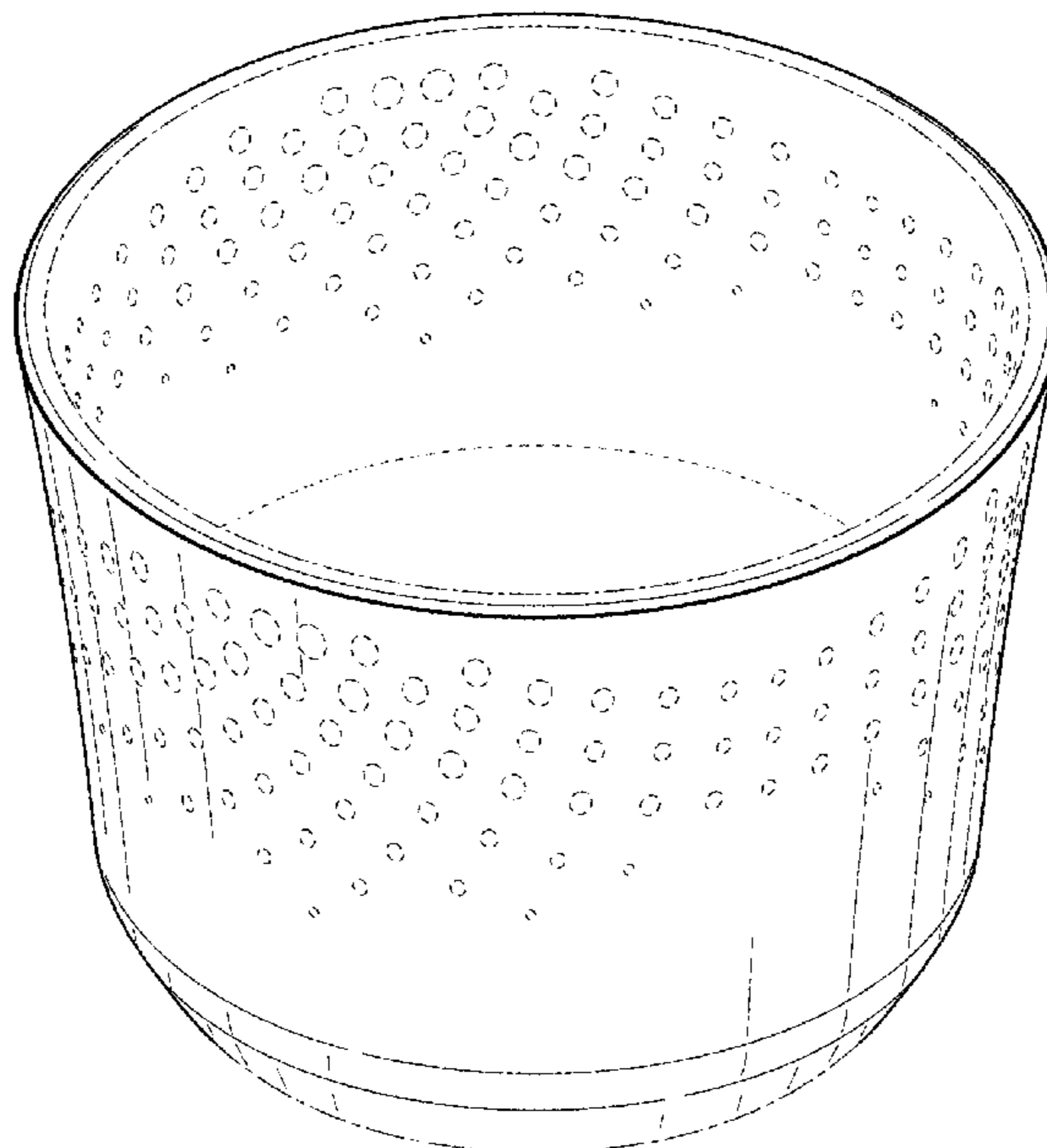
FIG. 11 is a left side elevational view of the jar of FIG. 7;

and,

FIG. 12 is a top plan view of the jar of FIG. 7.

The dash-dash-dash broken lines are included for the purpose of illustrating portions of the jar that form no part of the claimed design. The dash-dot-dash broken lines depict the boundaries of the claim and form no part thereof.

1 Claim, 8 Drawing Sheets



(58) **Field of Classification Search**
 CPC F21V 35/00; F21V 37/00; F21V 21/06;
 F21V 33/0028; F23D 3/16; F21W
 2121/00; A61L 9/127; B65D 1/265;
 B65D 2543/00509; A47G 19/2205
 See application file for complete search history.

(56) **References Cited**

U.S. PATENT DOCUMENTS

2,563,352	A	8/1951	Morse	
D204,781	S	5/1966	Wanderer	
D206,889	S	2/1967	Benes	
3,363,820	A	1/1968	Schilling	
D216,094	S	11/1969	Lawton	
D216,096	S	11/1969	Lawton	
D217,781	S	6/1970	Stone	
D233,297	S	10/1974	Raymer	
D242,200	S	11/1976	Ashton	
4,759,699	A	7/1988	Rubarth	
D422,101	S	3/2000	Barraclough et al.	
D471,112	S	3/2003	Davis et al.	
D471,763	S	3/2003	Hurlbut et al.	
D498,382	S	11/2004	Davis	
D503,310	S	3/2005	Jalet et al.	
D506,640	S	* 6/2005	Marek	D7/509
D509,742	S	9/2005	Biondich et al.	
D527,120	S	* 8/2006	Konkle, Jr.	D26/11
D530,838	S	* 10/2006	Adams	D26/9
D531,452	S	* 11/2006	Toth	D7/523
D543,326	S	5/2007	Dretzka	
D545,626	S	7/2007	Frank	
D546,481	S	* 7/2007	Adams	D26/22
D547,469	S	7/2007	Flores	
D547,659	S	7/2007	Heisner	
D548,528	S	8/2007	Cha et al.	
D548,587	S	8/2007	DuVal et al.	
D561,021	S	2/2008	DuVal et al.	
D566,562	S	4/2008	Snyder et al.	
D572,140	S	7/2008	Davis et al.	
D582,278	S	12/2008	Bourne	
D582,580	S	12/2008	Spangler et al.	
D607,315	S	1/2010	George et al.	
D611,348	S	3/2010	Handy	
D612,688	S	3/2010	Bardolet	
D624,352	S	9/2010	Lion et al.	
D624,783	S	10/2010	Lion et al.	
D625,851	S	* 10/2010	Furner	D26/22
D626,420	S	11/2010	Mondon	
D633,229	S	2/2011	McWillis	
D644,879	S	9/2011	Hadley	
D658,315	S	4/2012	Walters	
D659,267	S	5/2012	Slatkin et al.	
D660,996	S	5/2012	Rein	
D662,237	S	6/2012	Baraky et al.	
D667,151	S	* 9/2012	Arslanian	D26/9
D667,574	S	9/2012	Abbondanzio et al.	
D667,575	S	* 9/2012	Santini	D26/22
D672,481	S	12/2012	Arslanian	
D680,377	S	4/2013	Romley	
D682,448	S	5/2013	Nugent	
D699,075	S	2/2014	Mariotti	
D699,078	S	* 2/2014	Katterheinrich	D7/587
D707,373	S	* 6/2014	Nugent	D26/22
D710,743	S	8/2014	Bartter	
D713,205	S	* 9/2014	Katterheinrich	D7/524
D717,123	S	11/2014	Epstein	
D717,203	S	* 11/2014	Thuma	D11/154
D721,278	S	1/2015	Eble	
D723,931	S	3/2015	Mini	
D727,100	S	4/2015	DelMuro	
D727,101	S	* 4/2015	Oas	D7/523
D734,671	S	7/2015	Herbst	
D740,163	S	10/2015	Pettigrew et al.	
D742,561	S	11/2015	Kasha	
D750,437	S	* 3/2016	Katterheinrich	D7/523
D752,378	S	3/2016	Wang	

D763,626	S	8/2016	Westrick et al.	
D767,810	S	9/2016	Li	
D768,834	S	10/2016	Schuller et al.	
D770,231	S	11/2016	Hume et al.	
D770,852	S	11/2016	Vu et al.	
D772,972	S	11/2016	Anari, III et al.	
D781,488	S	3/2017	Patton	
D800,503	S	* 10/2017	Notheis	D7/523
D815,901	S	4/2018	Steinmann	
D817,718	S	5/2018	Furneaux et al.	
D842,040	S	3/2019	Lou	
D853,547	S	7/2019	Advidor et al.	
D861,432	S	* 10/2019	Ou	D7/507
D878,864	S	3/2020	Lawson-Shanks et al.	
D885,835	S	6/2020	Adams, Jr. et al.	
D898,520	S	10/2020	Katopis	
2011/0280009	A1	* 11/2011	Krause	F21S 9/035 362/183

FOREIGN PATENT DOCUMENTS

EM	000873757-0001	2/2008
EM	001917774-0001	9/2011
EM	002021089-0001	4/2012
EM	002330696-0001	10/2013
EM	002330696-0002	10/2013
EM	001421366-0002	9/2014
EM	002840553-0016	10/2015
EM	003422724-0001	10/2016
EM	003850601-0022	4/2017
JP	1231467	2/2005
JP	1239875 S	5/2005
JP	1251947 S	9/2005
JP	1265643	3/2006
JP	1301301 S	5/2007
JP	1494720	4/2014
JP	1530455 S	8/2015
JP	HA30004110	7/2018
JP	1650017 S	1/2020
JP	1650018 S	1/2020
JP	1671099 S	10/2020
JP	1671453 S	11/2020
WO	DM/075912	4/2011
WO	DM/079361	11/2012
WO	DM/086082	2/2015
WO	DM/091142	12/2015
WO	DM/089961	2/2016
WO	DM/094518	11/2016

OTHER PUBLICATIONS

Notice of Allowance issued in corresponding Japanese Application No. 2018-028939, dated Nov. 26, 2019, 3 pages.
 Notice of Allowance issued in corresponding Japanese Application No. 2018-028938, dated Nov. 26, 2019, 3 pages.
 "Packaging container—Desert Cup Catalog vol. 25 Desert Selection," Product No. 3632478, (JP Patent Office Design Division Publication material No. HC2501021300), Publisher: Ito Kei Pack Industry Co., Ltd., Published Sep. 18, 2013, 4 pages.
 "Glass—Kinsai Soba Higuchi Set, 068328740000, New Products in Jun. 2014, WAKO Online Store | Ginza / Wako," Seiko Holdings Corporation, URL: http://shop.wako.co.jp/ecvm/cmd/item_detail/category_cd/SUB113/item_cd/068328740000, Product No. 0683287400, (JP Patent Office Design Division Publication material No. HJ26012594), Published May 27, 2014, 4 pages.
 "Desert Cup Catalog 2005" (JP Patent Office Design Division Publication material No. HC1701081000), issued by Kishimoto Sangyo Co., Ltd., dated May 27, 2005, 3 pages.
 "Glass—Detailed photo" Noble Traders Co., Ltd., URL: http://www.le-noble.com/d/s/product_photo.php?p_id=750001711001&photo_no=1 (retrieved on Dec. 4, 2019), (JP Patent Office Design Division Publication material No. HJ2306637800), 4 pages.
 "Glass—Asaha Fumi cold tea bowl (2 customers group), 068328720000, new goods in Jun. 2014, WAKO online store Ginza Wako" Seiko Holdings Corporation, Product No. 0683287200, URL: http://shop.wako.co.jp/ecvm/cmd/item_detail/category_cd/SUB113/item_cd/

(56)

References Cited

OTHER PUBLICATIONS

068328720000, (JP Patent Office Design Division Publication material No. HJ2601259300), published May 27, 2014, 3 pages.

“Bormioli Rocco Dublino Shot Glass Set of 6-1 1/8 oz.” Amazon.com, 8 pages. Retrieved from Internet on Jul. 15, 2020, URL: <https://www.amazon.com/Bormioli-Rocco-Dublino-Shot-Glass/dp/B00200Y27A#customerReviews> (Year: 2017).

“Hot Shot Glasses 1.2oz / 35ml” Drinkstuff.com, 3 pages. Retrieved from Internet on Jul. 15, 2020, URL: <https://www.drinkstuff.com/products/product.asp?ID=196#reviews> (Year: 2013).

Askul Webpage. Accessed online at askul.co.jp/p/3456665/. With translation. 2016.

Bodum. Bodum Canteen Webpage. Accessed online at <https://web.archive.org/web/20170221130141/http://www.bodum.com/jp/ja/tea/glasses/10109-10>. Version dated Feb. 21, 2017.

Notice of Allowance issued in corresponding Japanese Application No. 2019-022492, dated Sep. 15, 2020, 4 pages.

Notice of Allowance issued in corresponding Japanese Application No. 2019-022497, dated Sep. 15, 2020, 6 pages.

Sempre. Catalog Page. Accessed online at http://www.sempre.jp/detail_photo.php?detail_cd=264563815. 2014.

Stil & Markt. Glassware. Catalog p. 2019.

Werner Meister. Glassware. Product sheet. 2017.

Notice of Allowance issued in corresponding Japanese Application No. 2020-017673, dated Dec. 8, 2020, 7 pages.

Notice of Allowance issued in corresponding Japanese Application No. 2020-017406, dated Dec. 8, 2020, 4 pages.

* cited by examiner

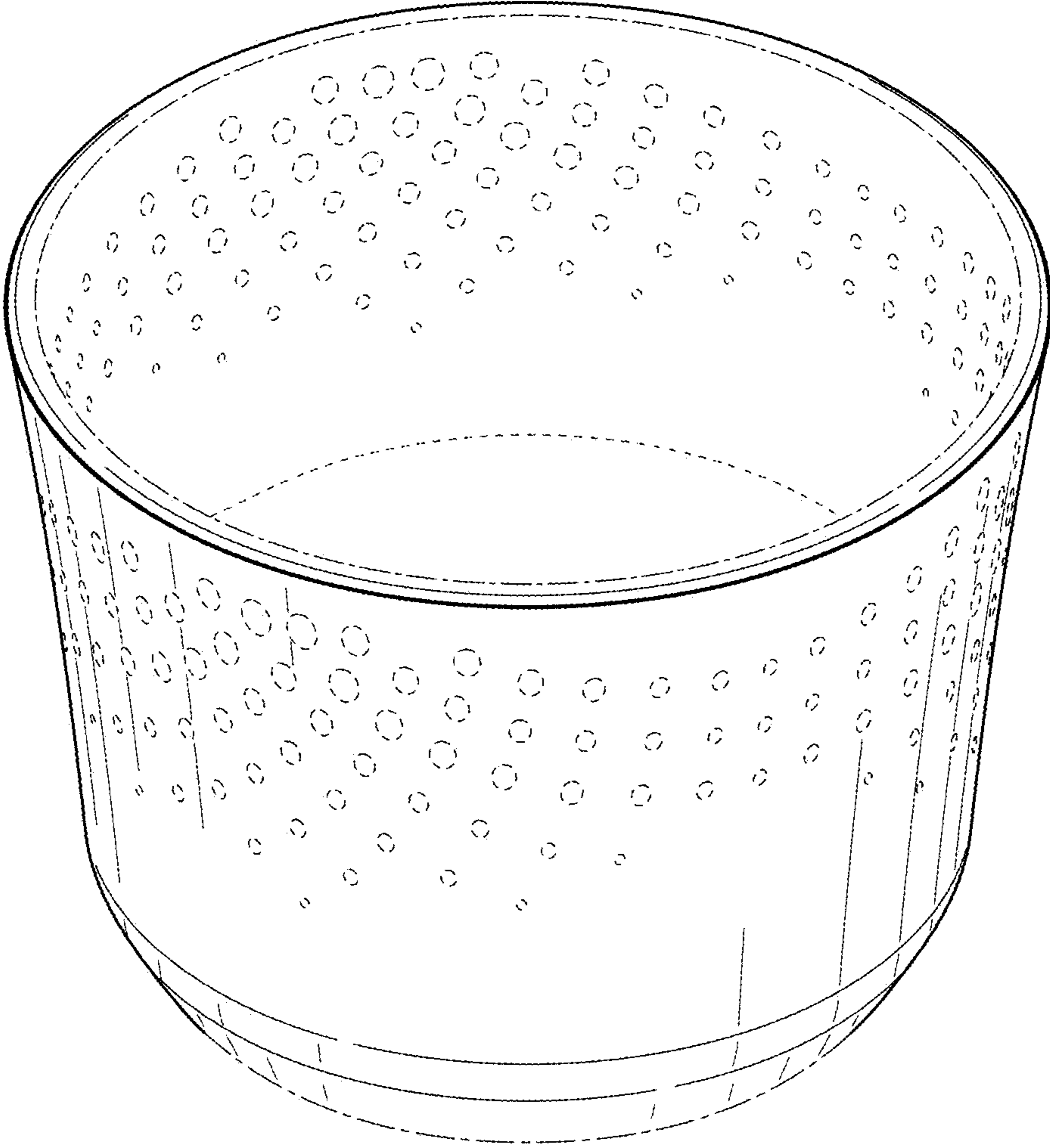


FIG. 1

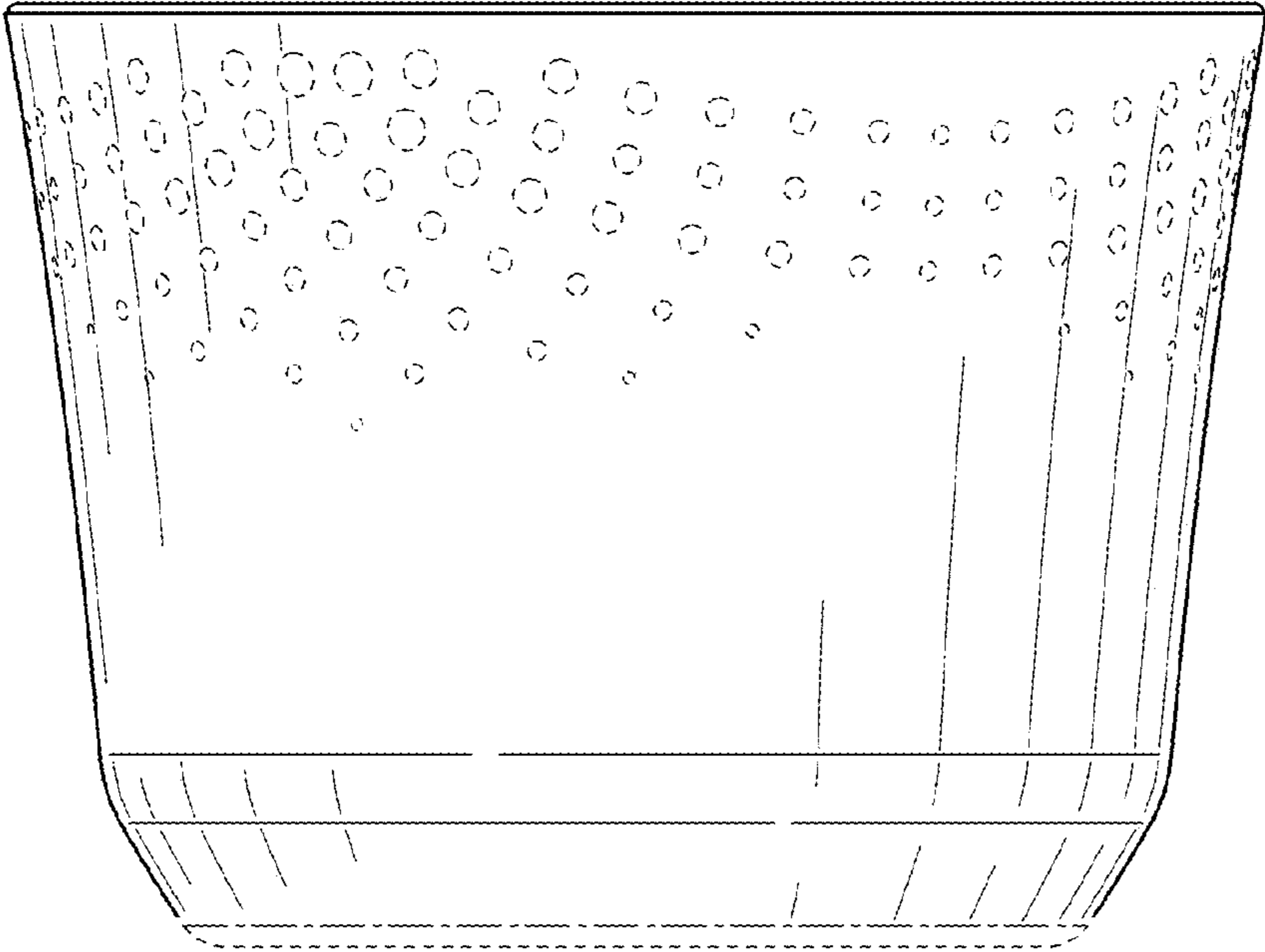


FIG. 2

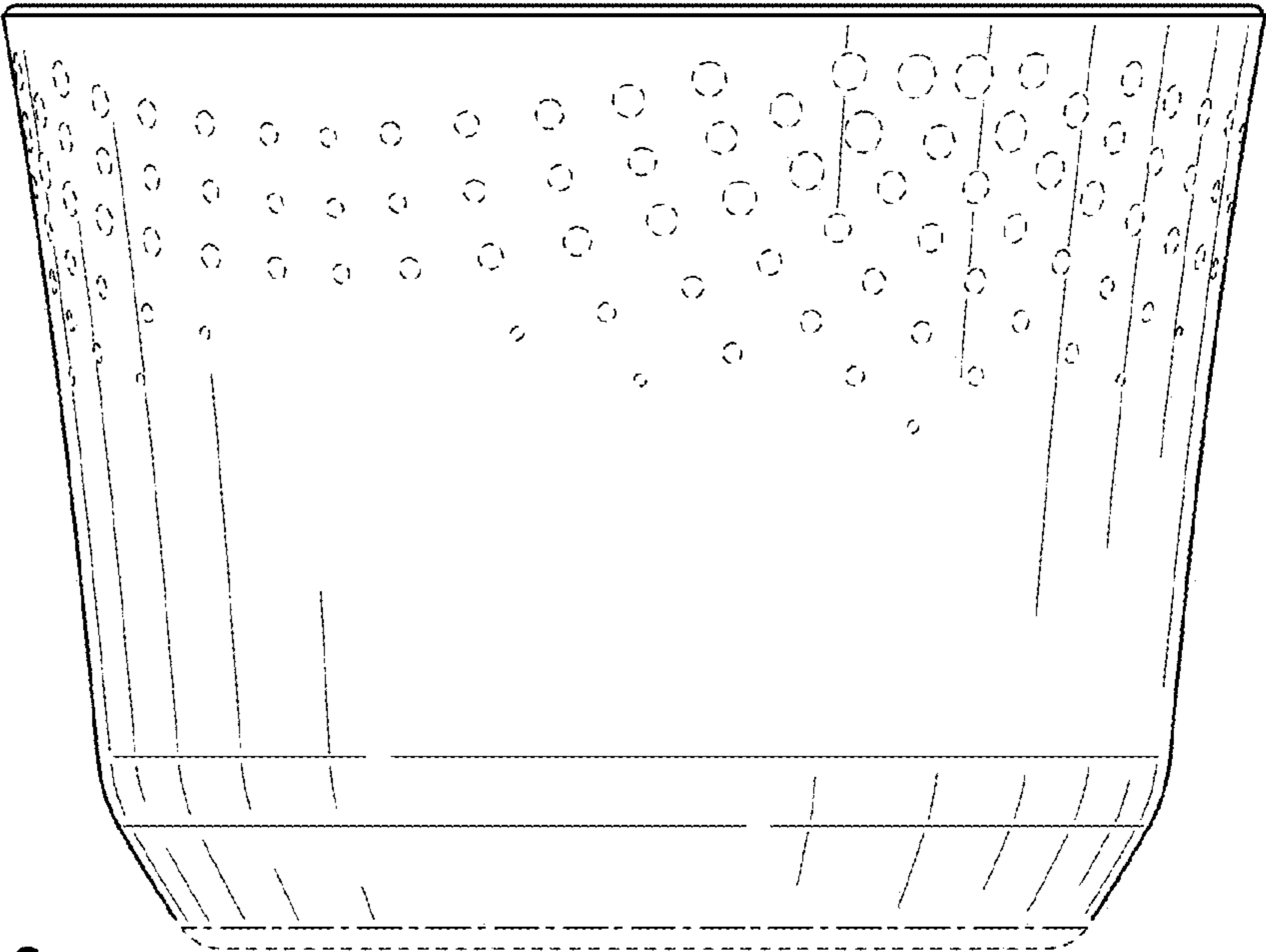


FIG. 3

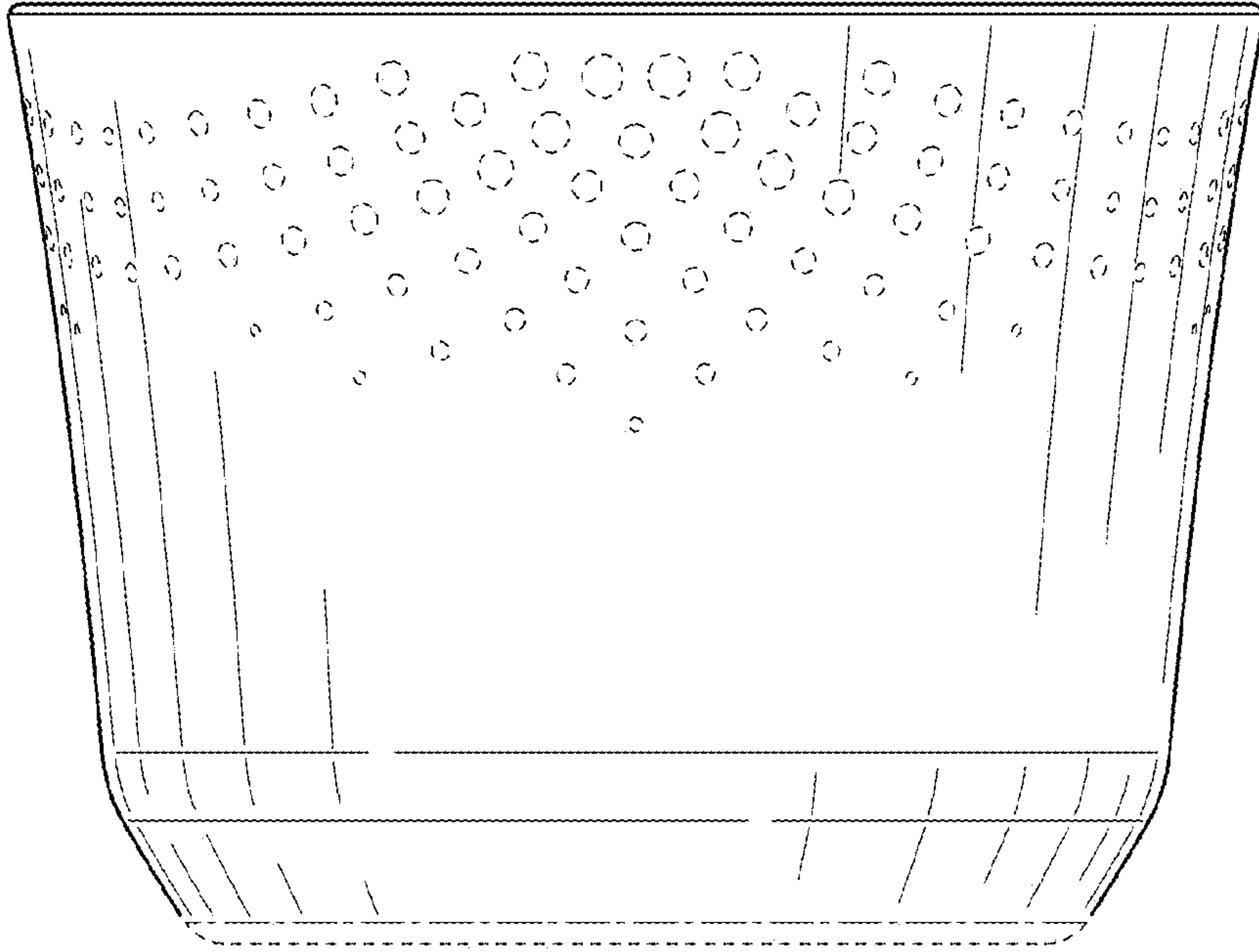


FIG. 4

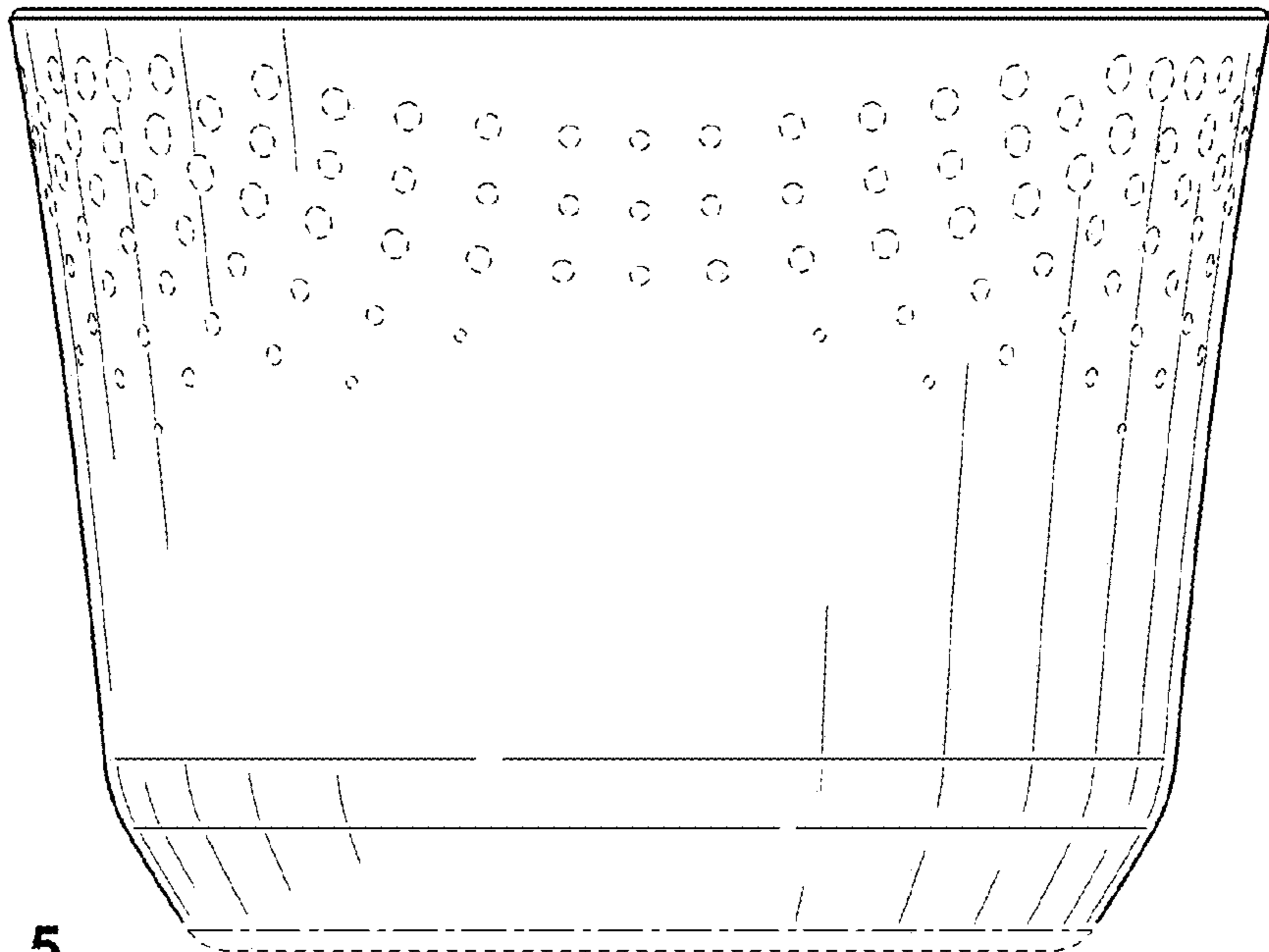


FIG. 5

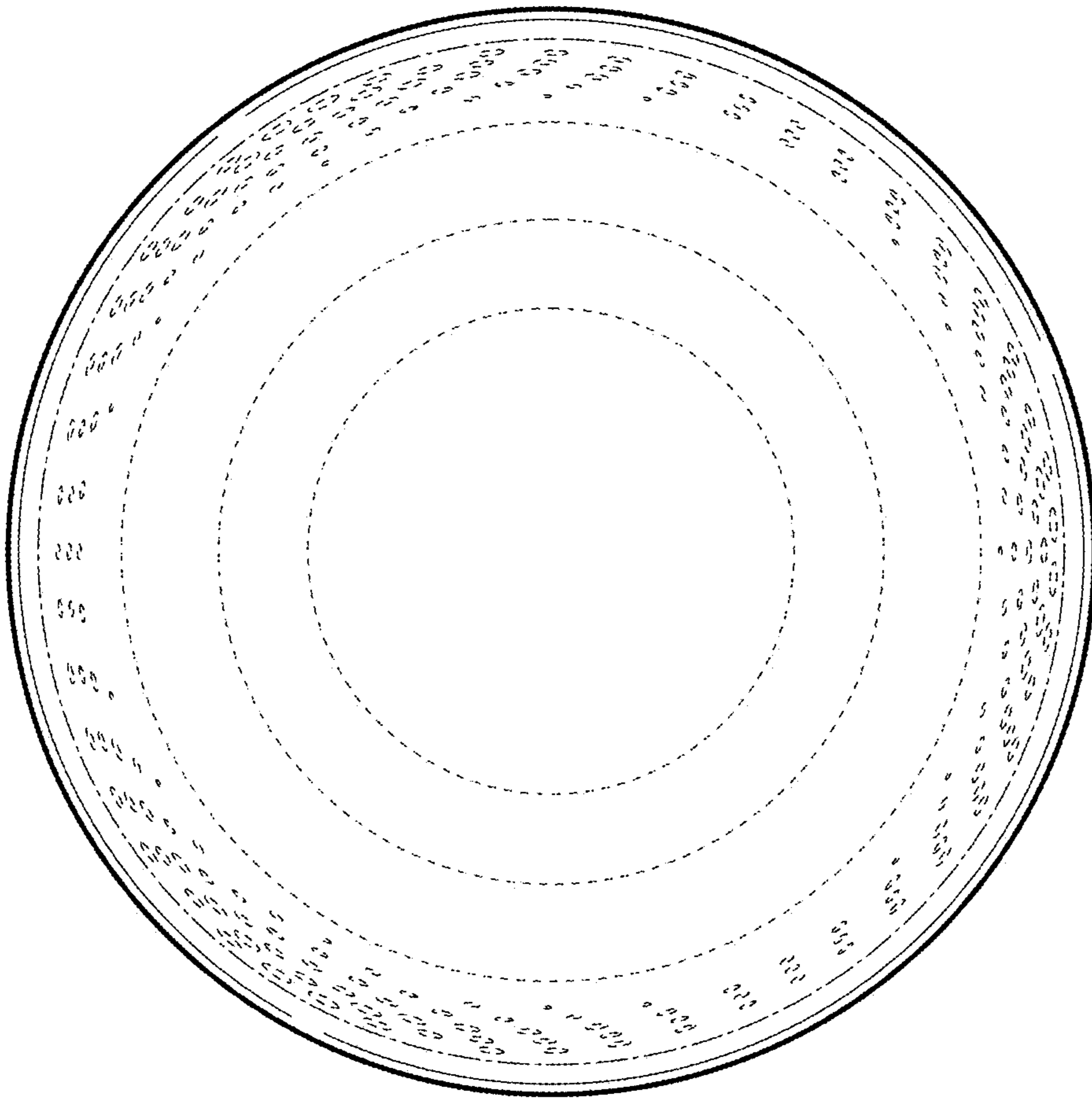


FIG. 6

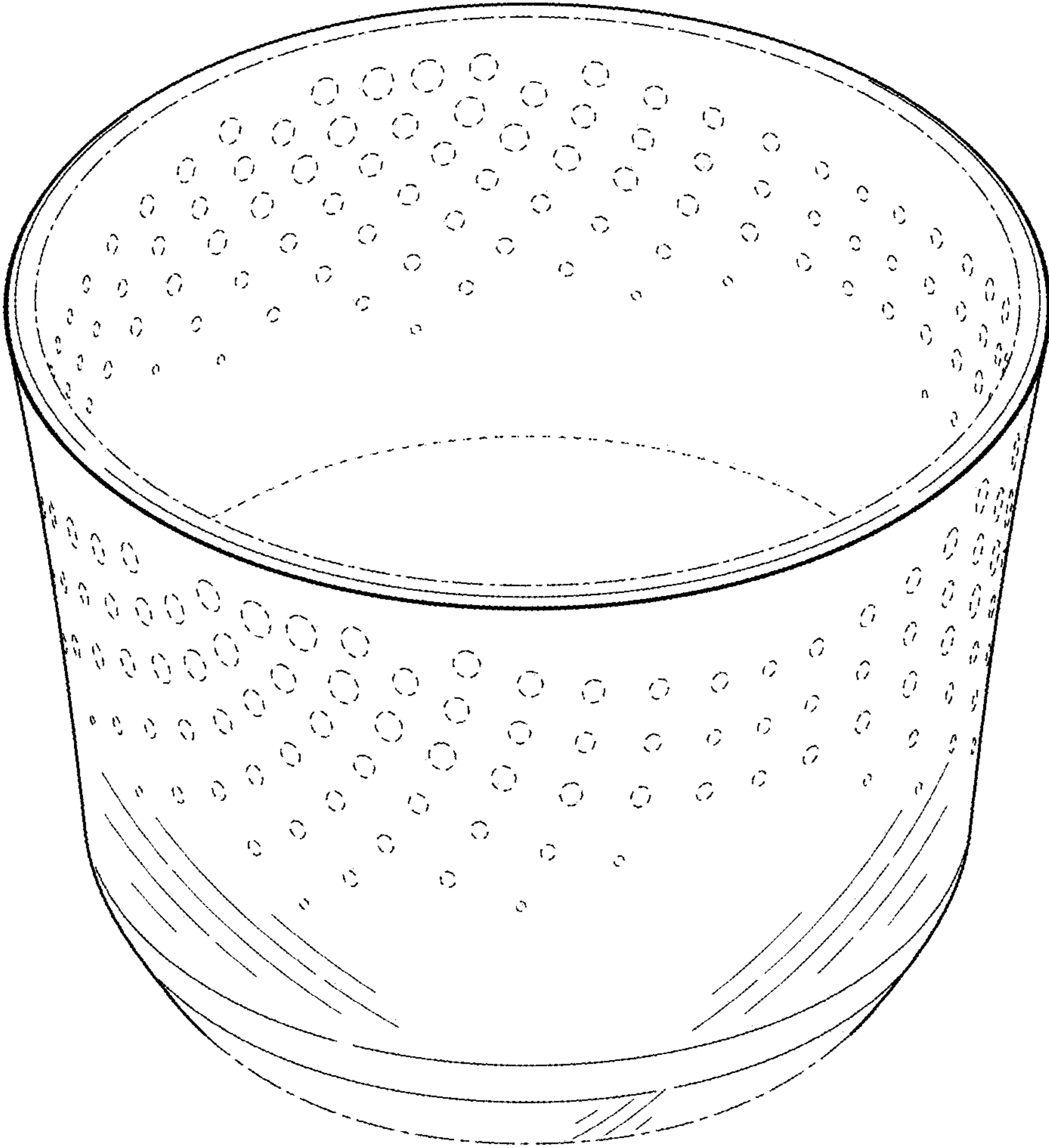


FIG. 7

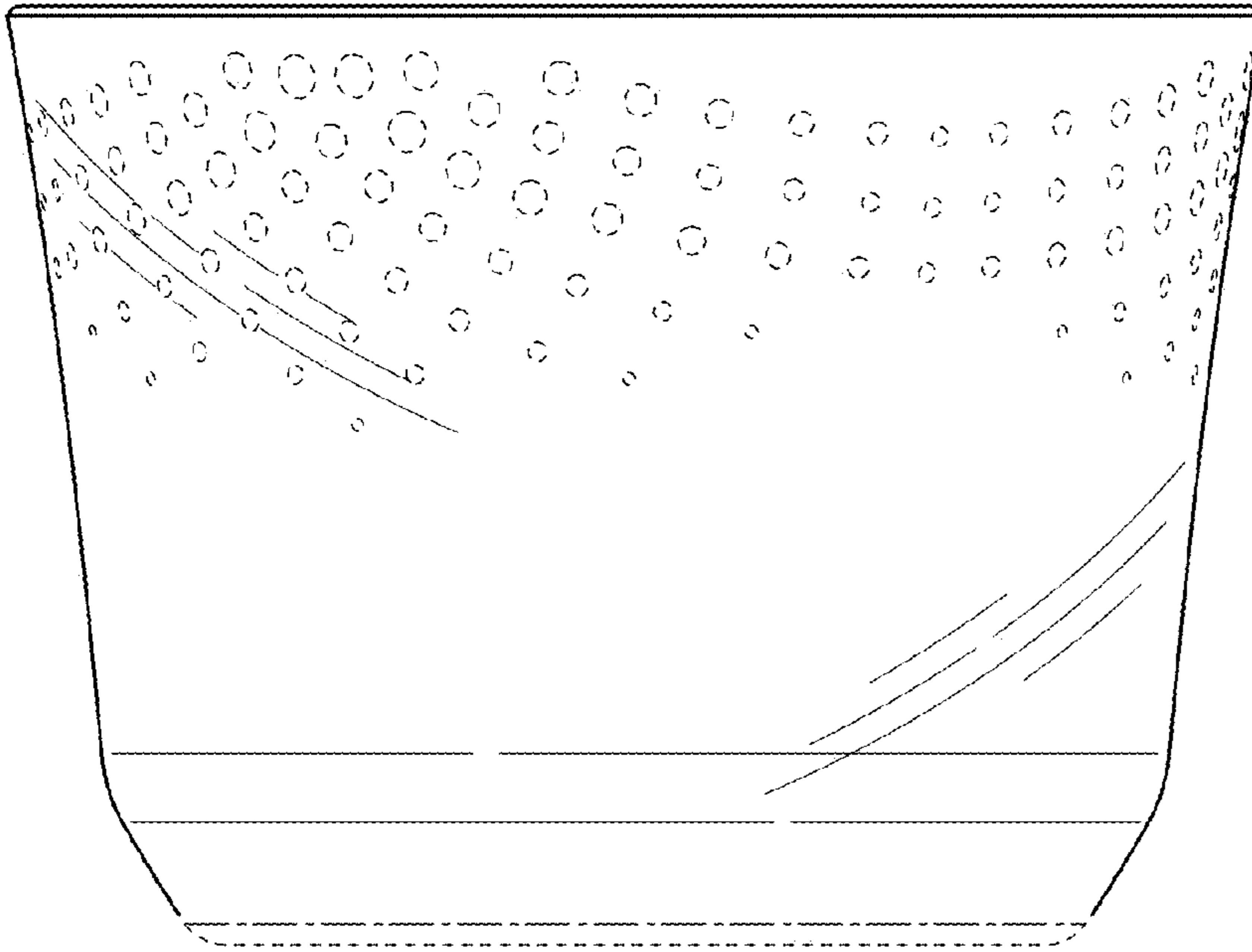


FIG. 8

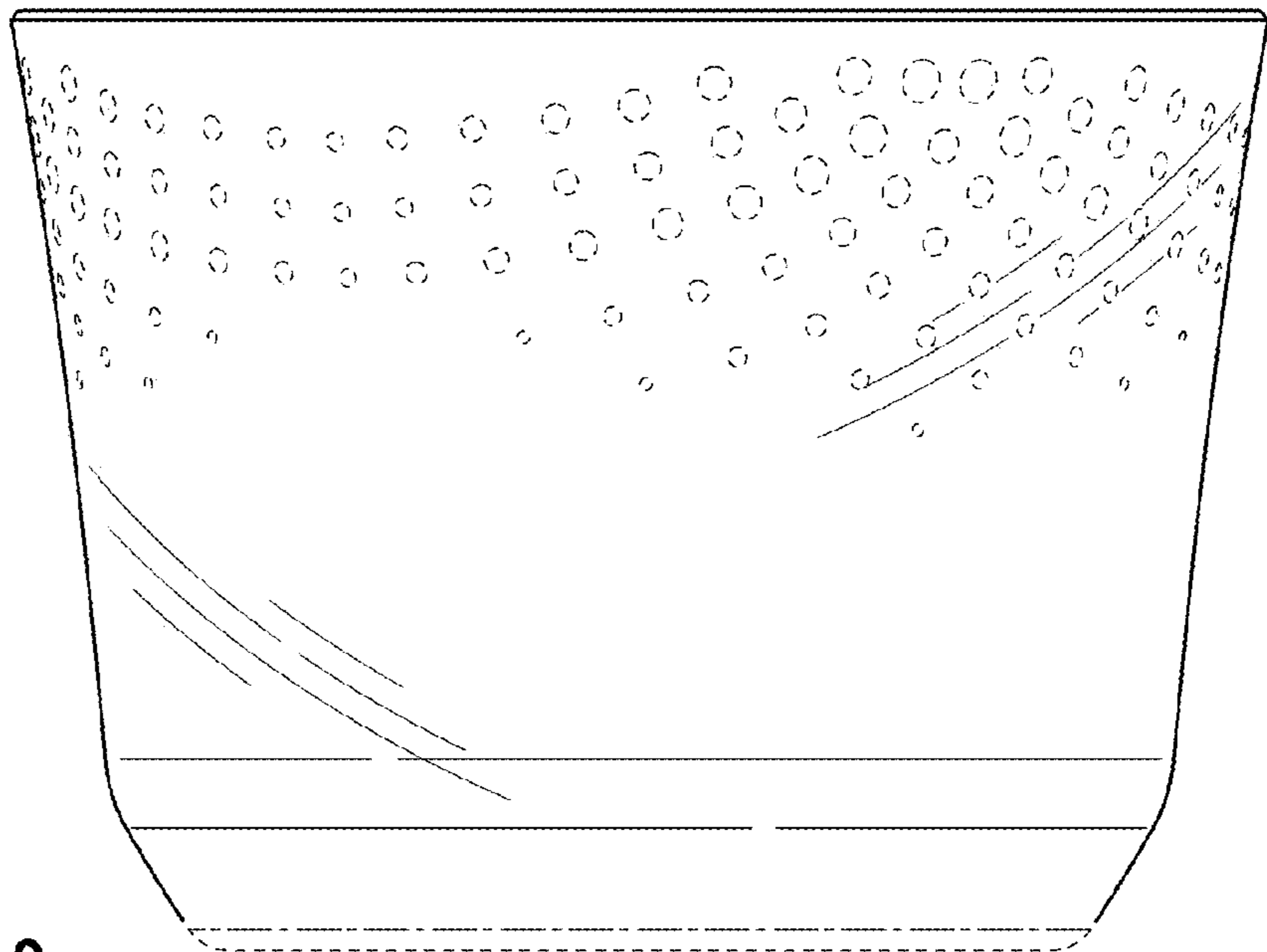


FIG. 9

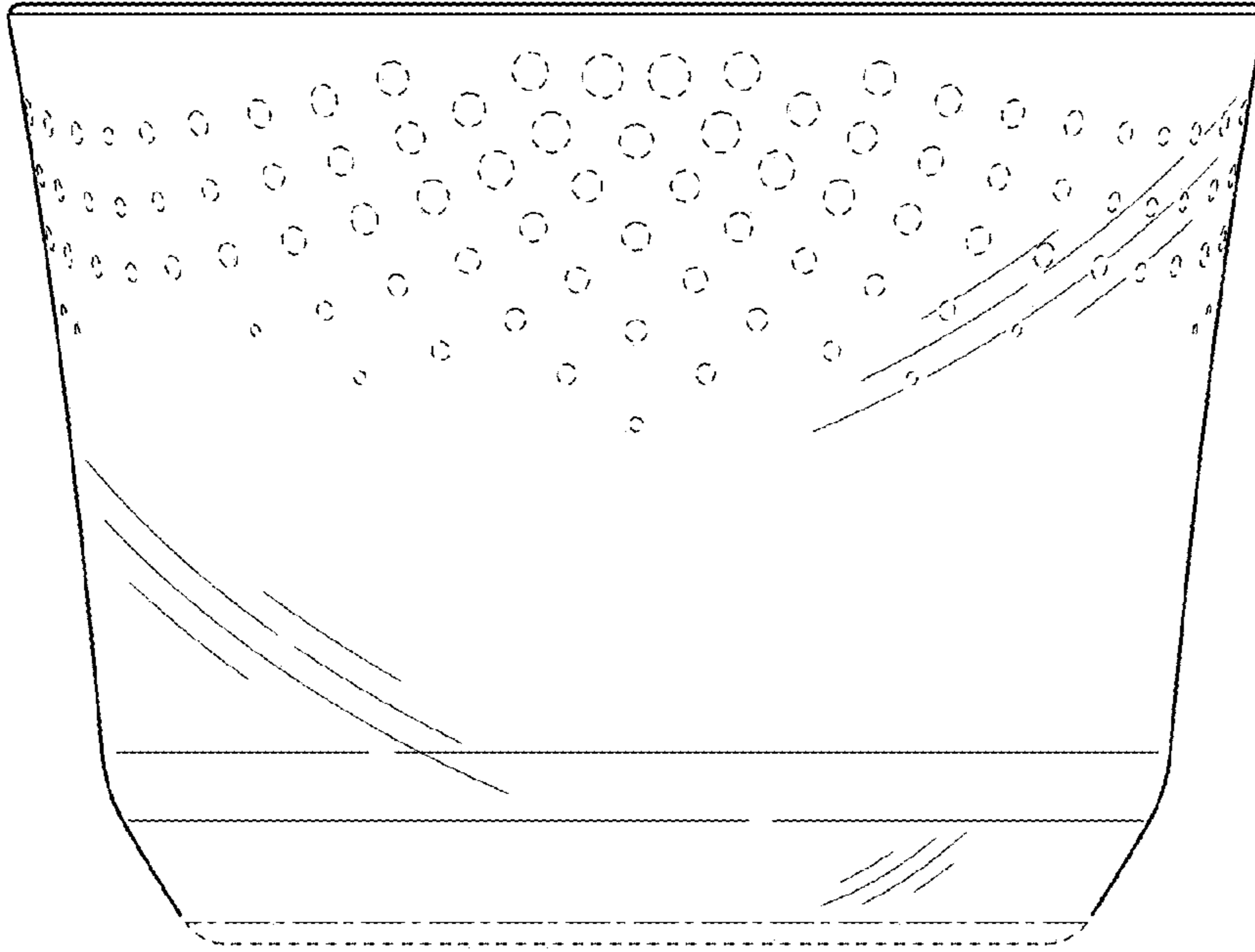


FIG. 10

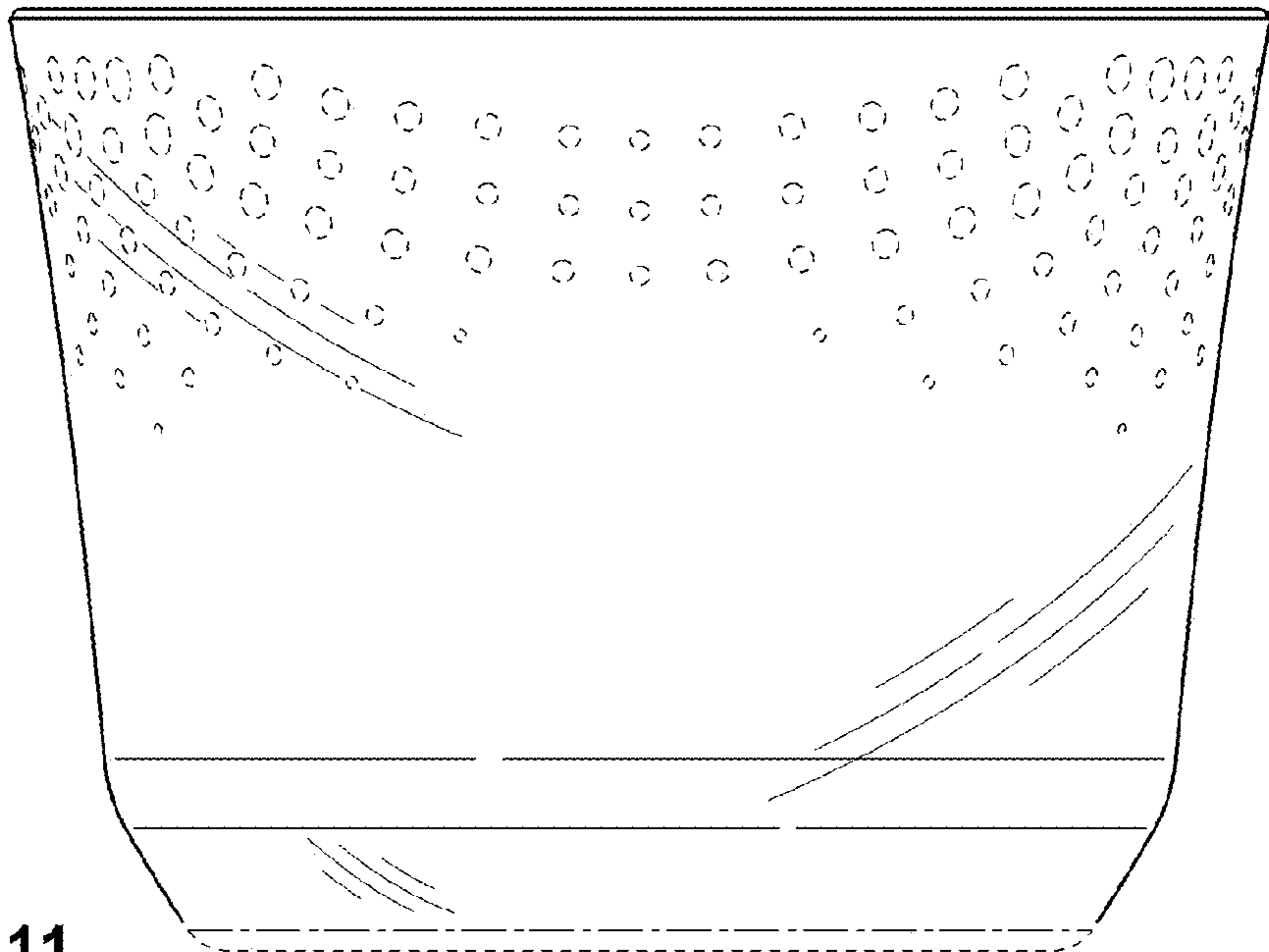


FIG. 11

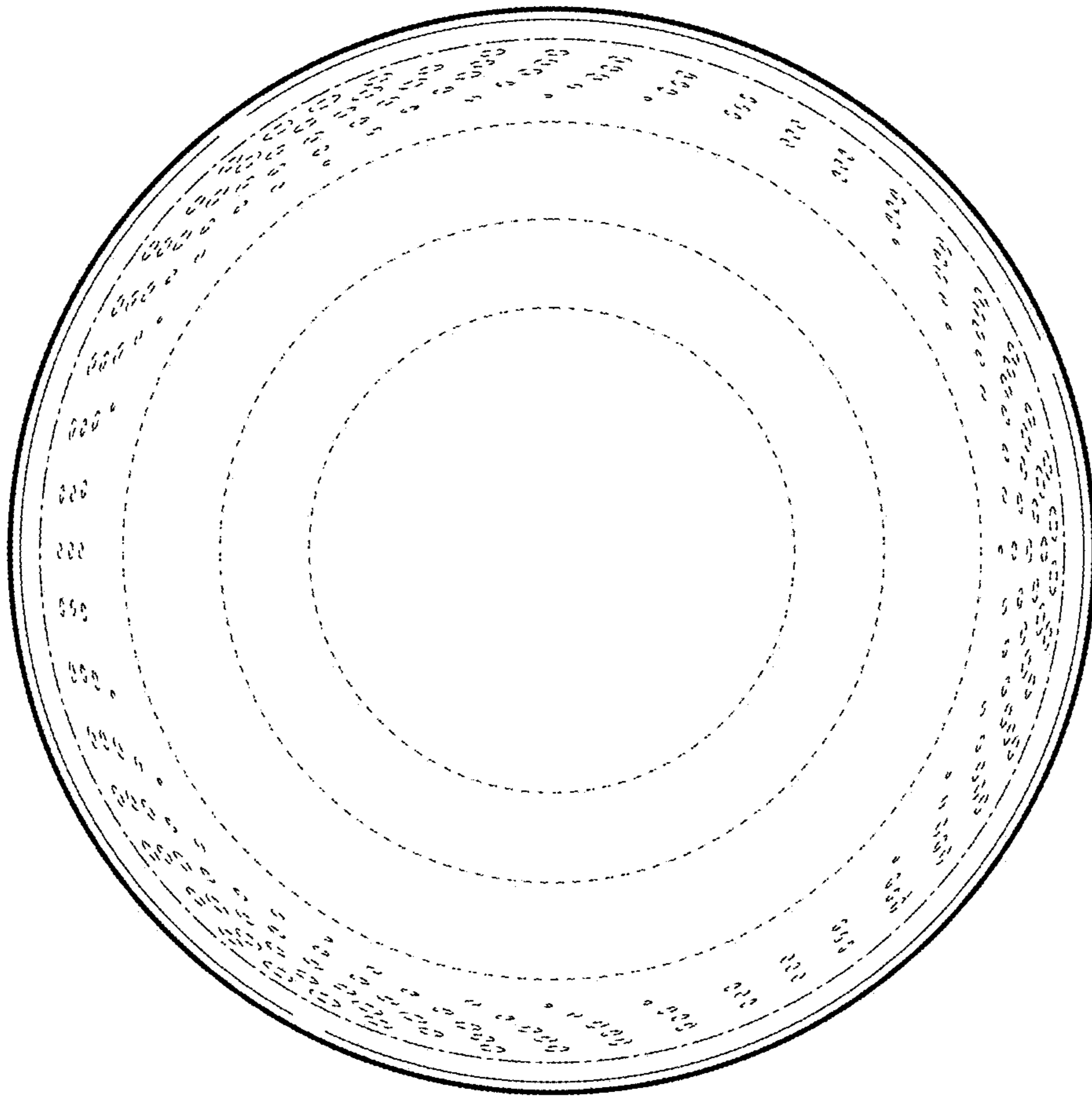


FIG. 12