



US00D932063S

(12) **United States Design Patent** (10) **Patent No.:** **US D932,063 S**  
**Lu et al.** (45) **Date of Patent:** **\*\* Sep. 28, 2021**

(54) **LIGHT BULB OR PORTION THEREOF**

D566,300 S \* 4/2008 Lo ..... D26/2  
D581,555 S \* 11/2008 To ..... D26/2  
D584,838 S \* 1/2009 To ..... D26/2

(71) Applicant: **Amazon Technologies, Inc.**, Seattle, WA (US)

\* cited by examiner

(72) Inventors: **Wen-Yo Lu**, Pasadena, CA (US);  
**Christopher Loew**, Palo Alto, CA (US);  
**Mark D. Siminoff**, Mountain View, CA (US);  
**James Siminoff**, Pacific Palisades, CA (US);  
**Jiawei Li**, Avon, OH (US)

*Primary Examiner* — Marcus A Jackson

(74) *Attorney, Agent, or Firm* — Lee & Hayes, P.C.

(73) Assignee: **Amazon Technologies, Inc.**, Seattle, WA (US)

(57) **CLAIM**

The ornamental design for a light bulb or portion thereof, as shown and described.

(\*\*) Term: **15 Years**

**DESCRIPTION**

(21) Appl. No.: **29/709,666**

(22) Filed: **Oct. 16, 2019**

(51) **LOC (13) Cl.** ..... **26-04**

(52) **U.S. Cl.**  
USPC ..... **D26/2**

(58) **Field of Classification Search**  
USPC ..... D26/1-11  
CPC ..... H01R 5/00; H01R 13/46; H01R 13/514;  
H01R 31/02; H01R 31/048; H01J 5/00;  
H01J 5/16; H01J 1/02; H01J 15/00; H01J  
5/48; H01J 5/50; H01J 19/54; F21V 5/00;  
F21K 9/00; F21K 13/00

See application file for complete search history.

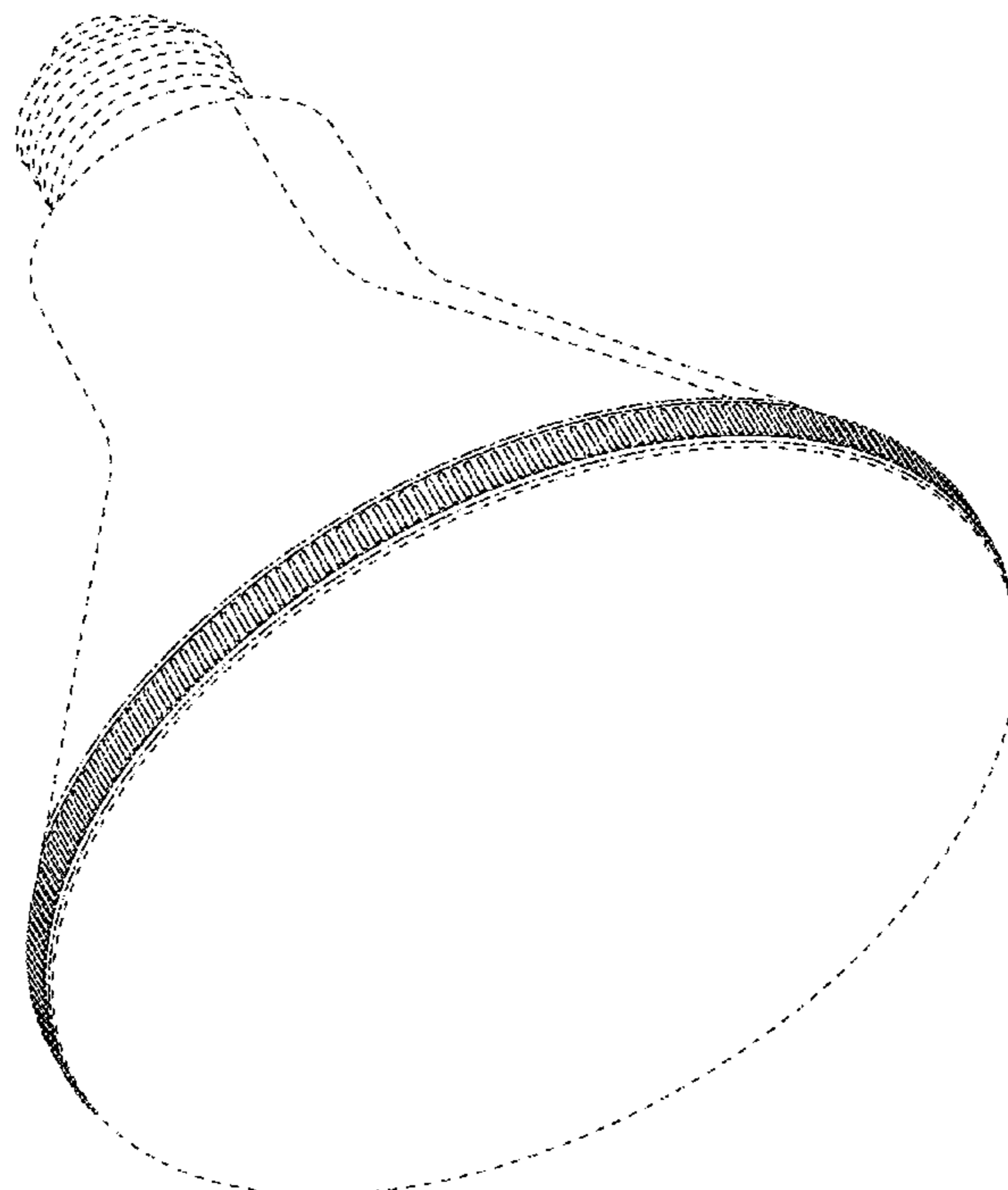
FIG. 1 is a front, top perspective view of a light bulb or portion thereof;  
FIG. 2 is a top plan view thereof;  
FIG. 3 is a bottom plan view thereof;  
FIG. 4 is a left-side elevation view thereof;  
FIG. 5 is a right-side elevation view thereof;  
FIG. 6 is a back elevation view thereof;  
FIG. 7 is a front elevation view thereof; and,  
FIG. 8 is an enlarged view of an area marked 8 in FIG. 2.  
The dashed broken lines depict portions of the light bulb or portion thereof that form no part of the claimed design. The dot-dashed broken lines represent boundaries of the claimed light bulb or portion thereof and form no part of the claimed design.

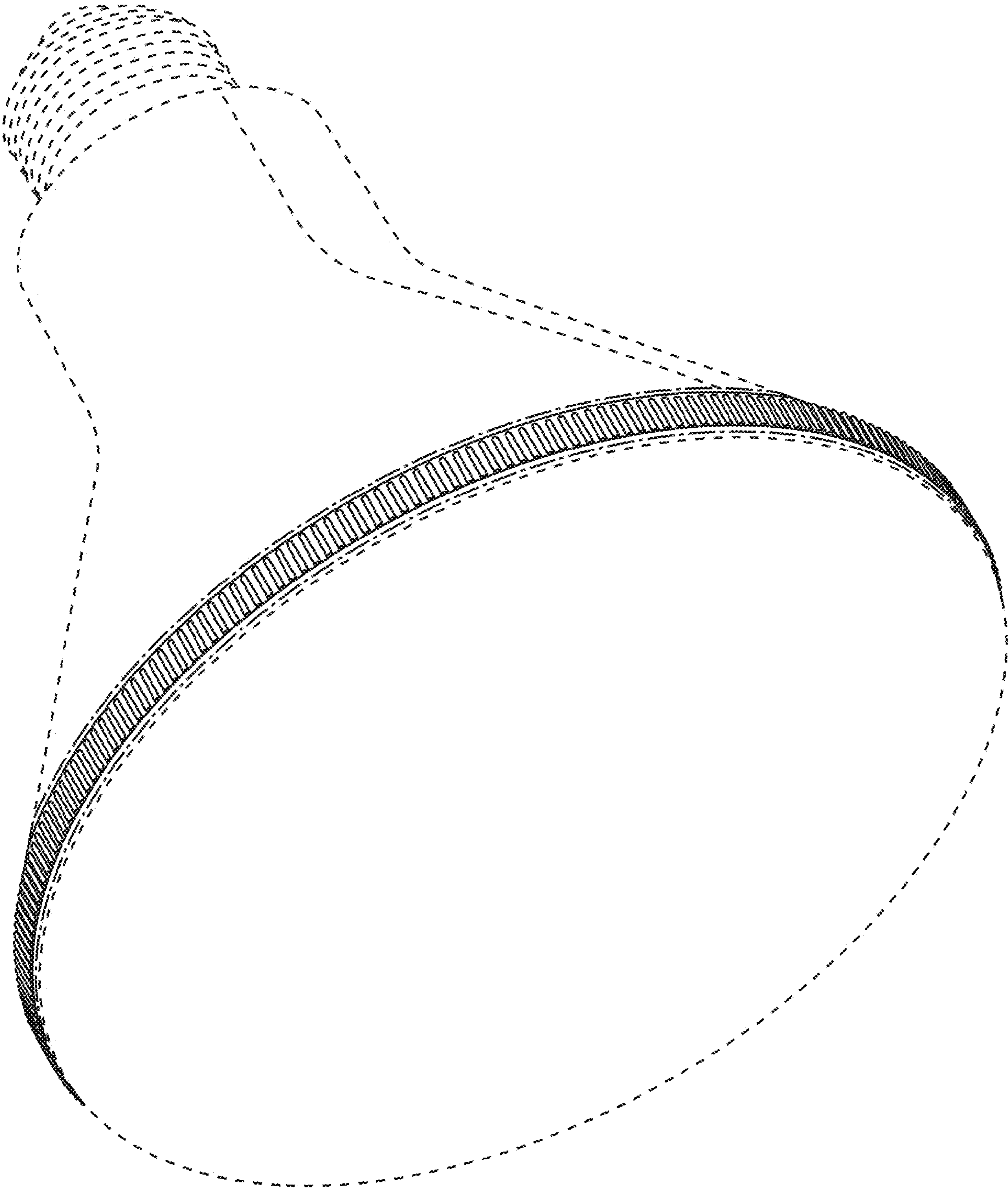
(56) **References Cited**

U.S. PATENT DOCUMENTS

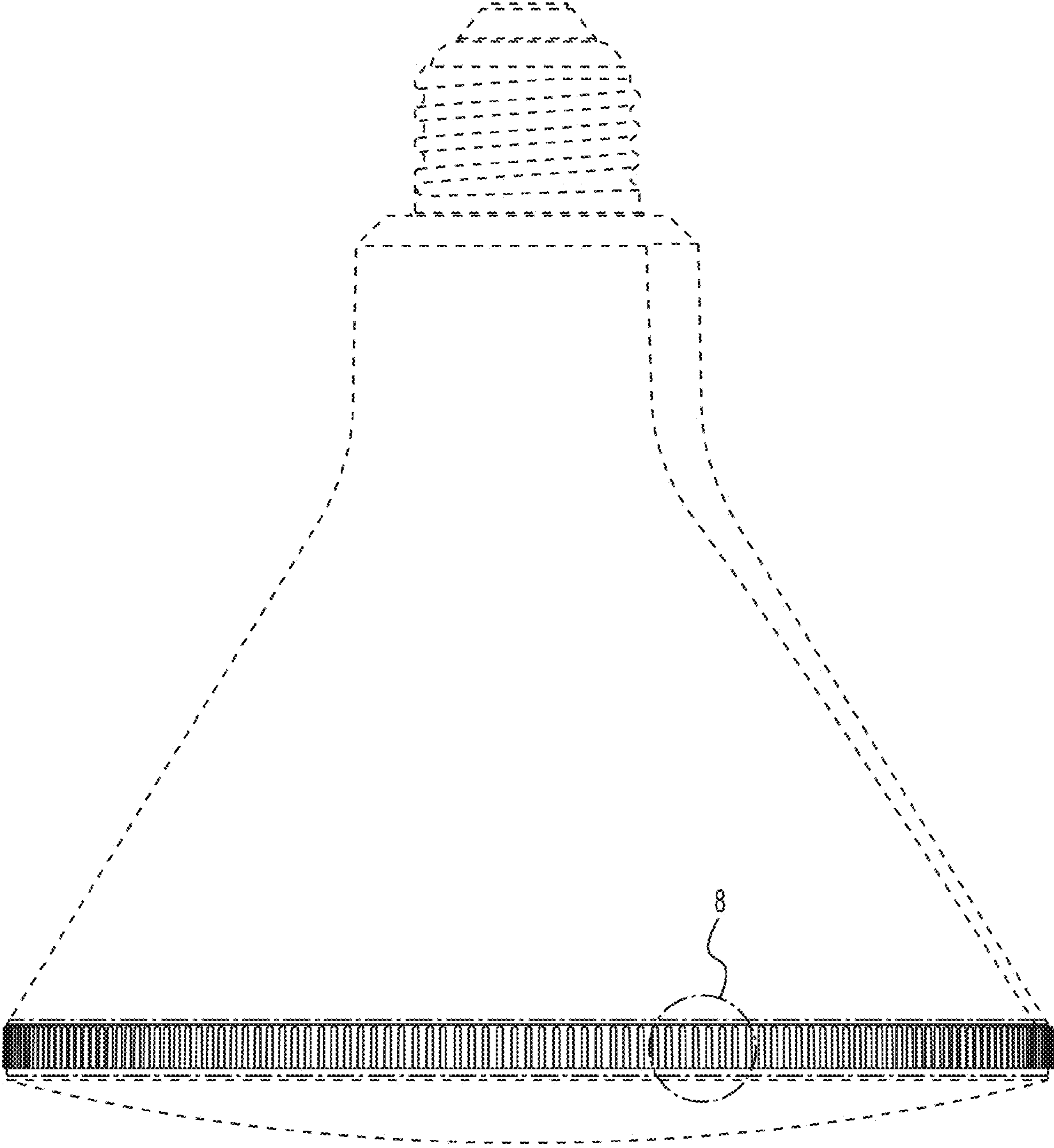
D532,532 S \* 11/2006 Maxik ..... D26/2  
D544,110 S \* 6/2007 Hooker ..... D26/2

**1 Claim, 8 Drawing Sheets**

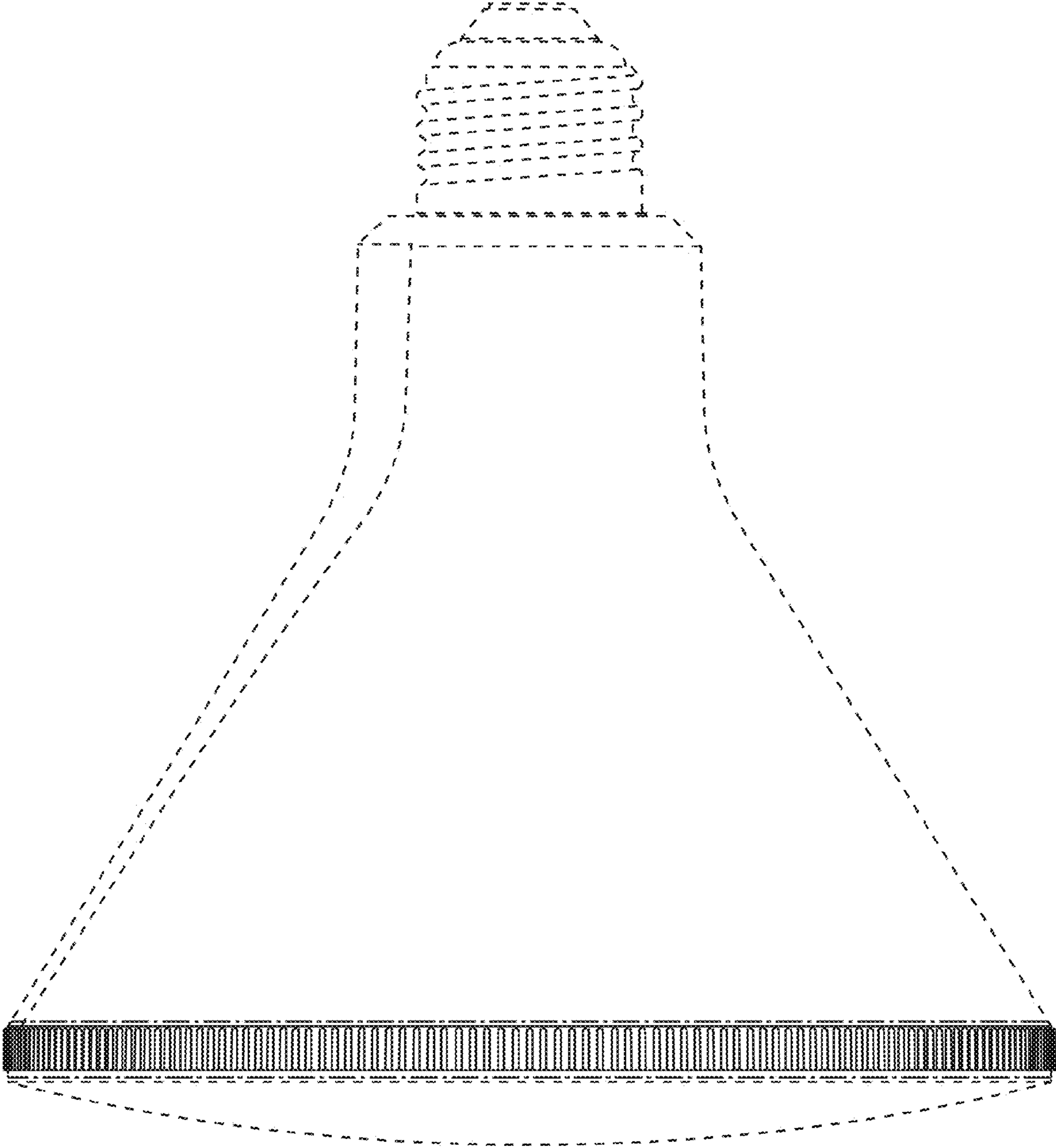




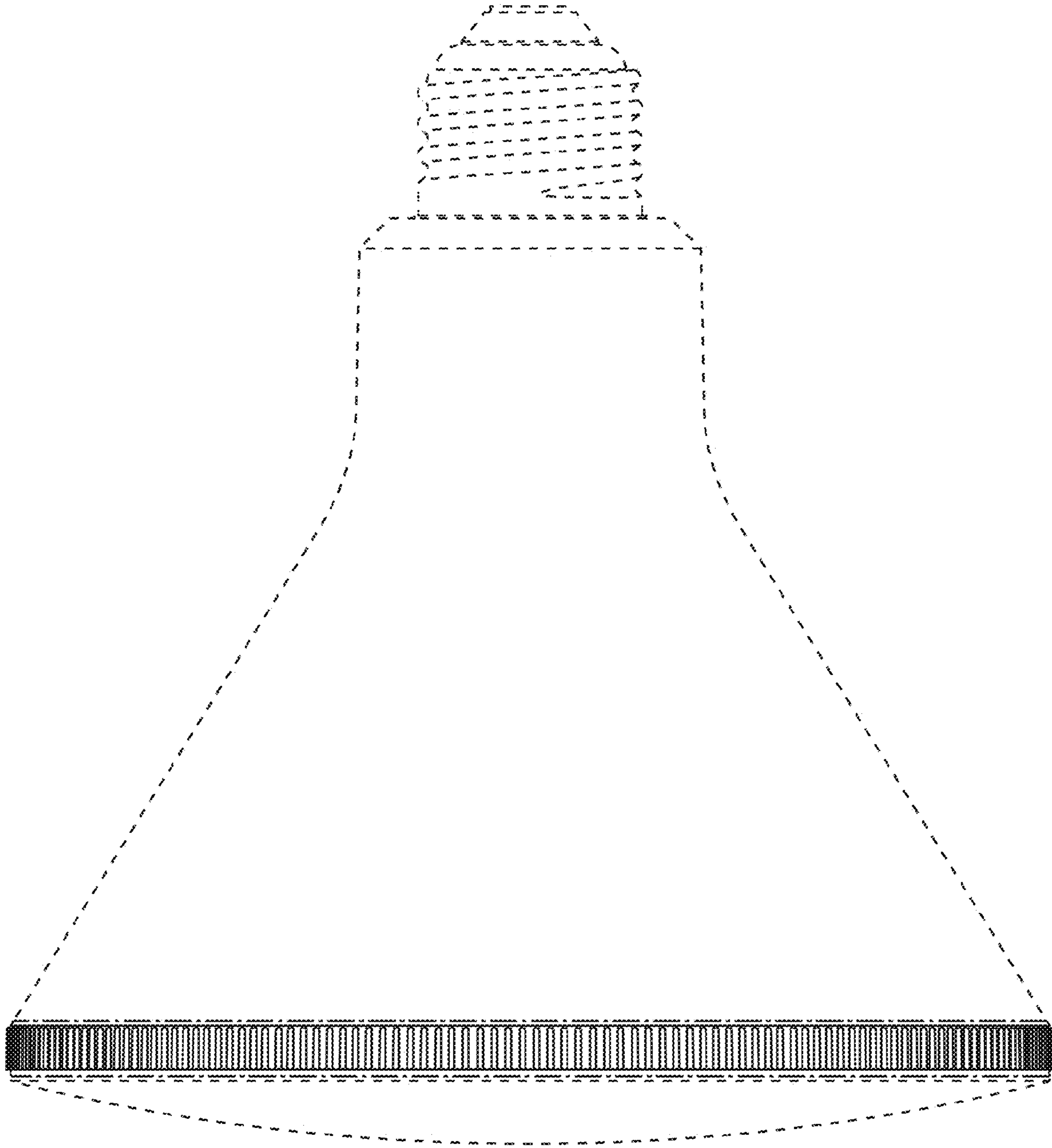
**FIG. 1**



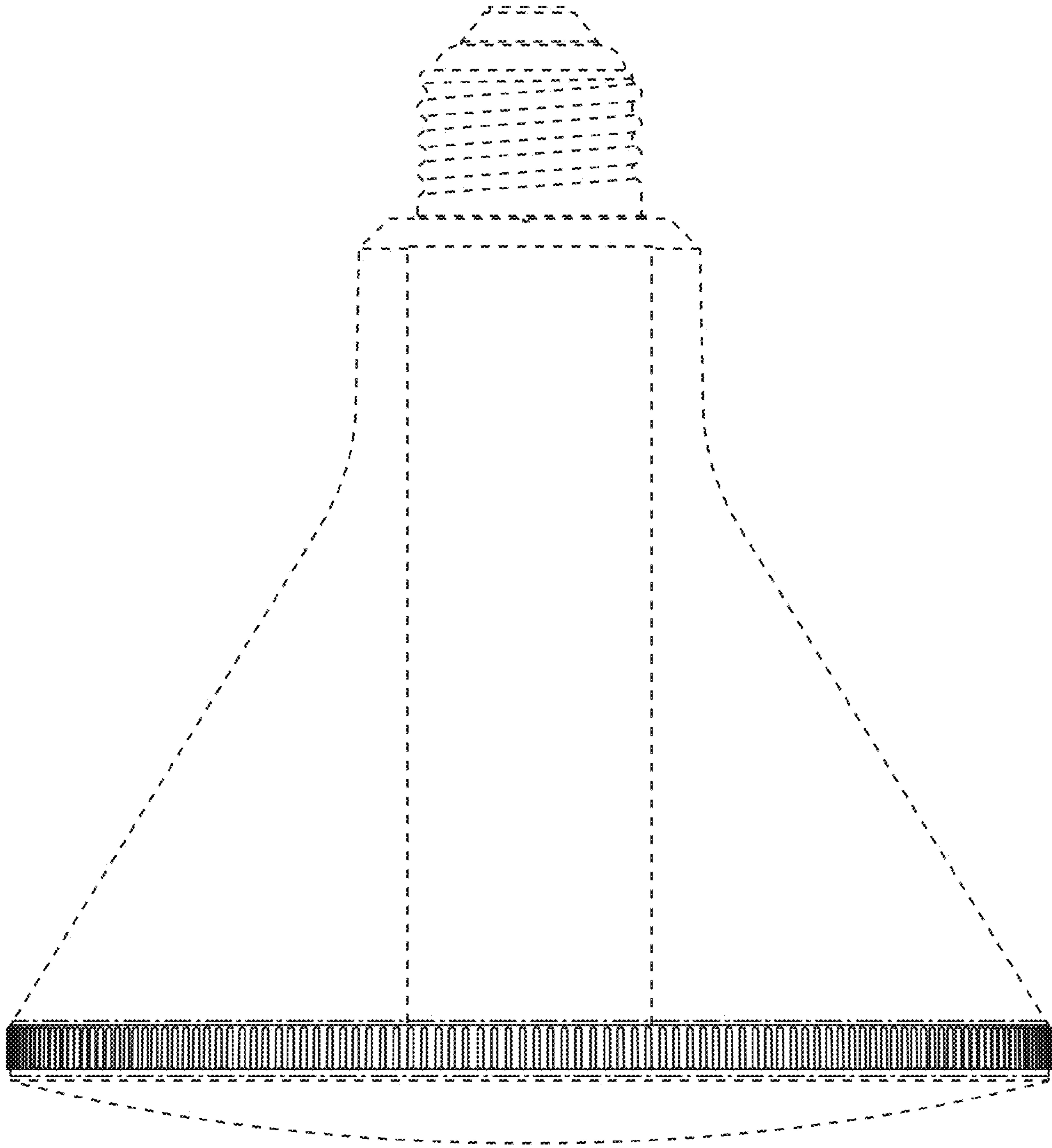
**FIG. 2**



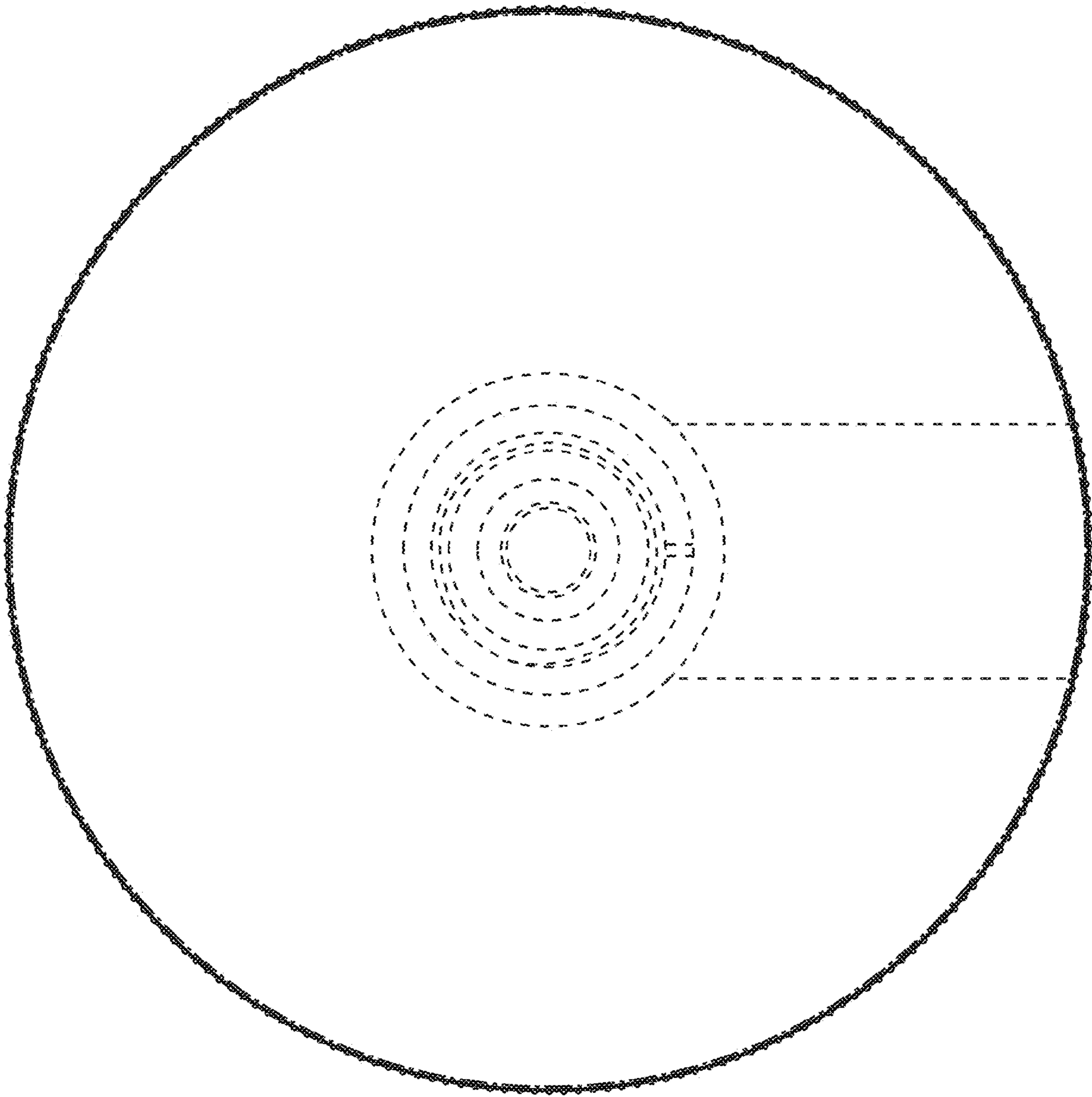
**FIG. 3**



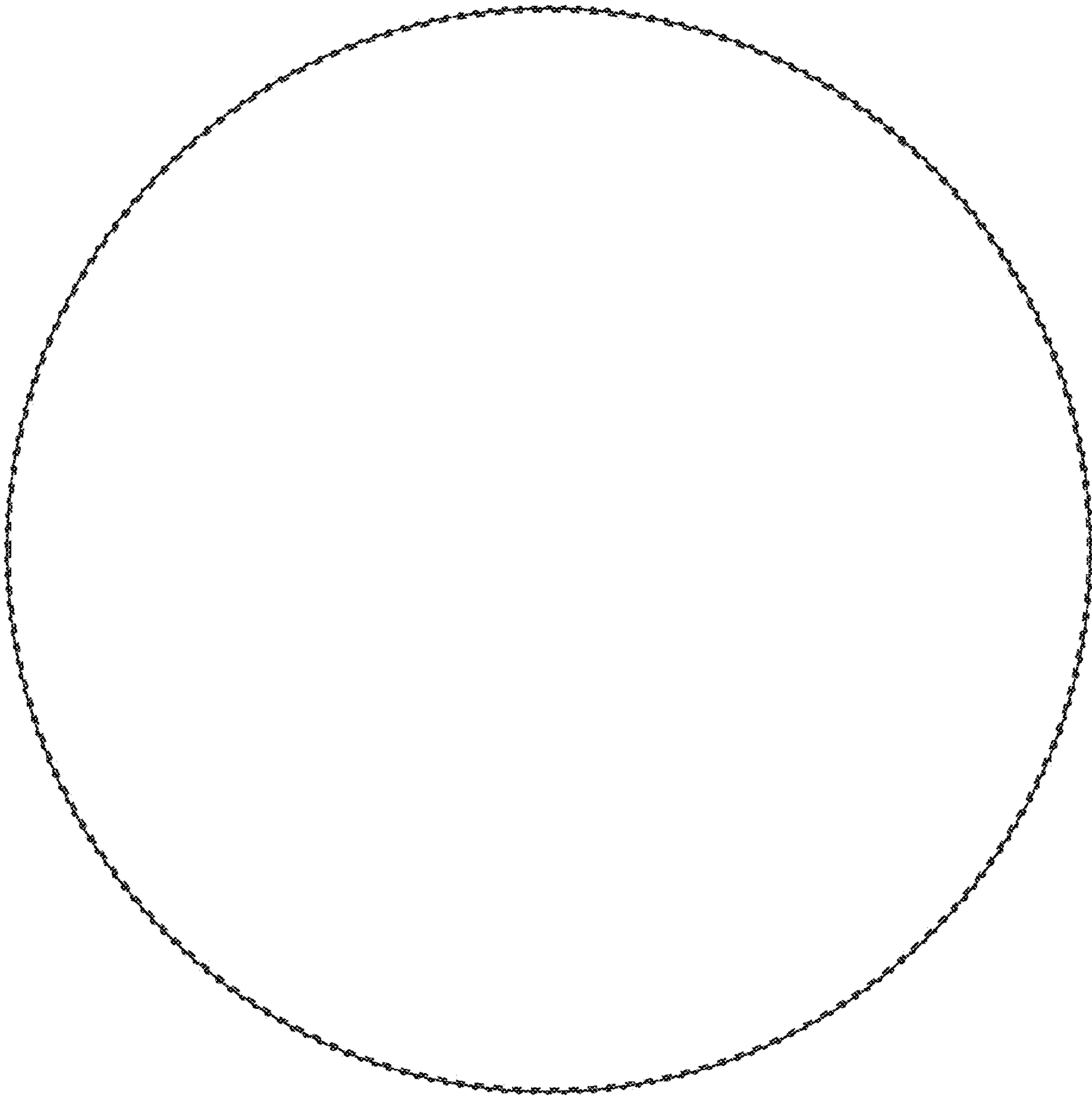
**FIG. 4**



**FIG. 5**

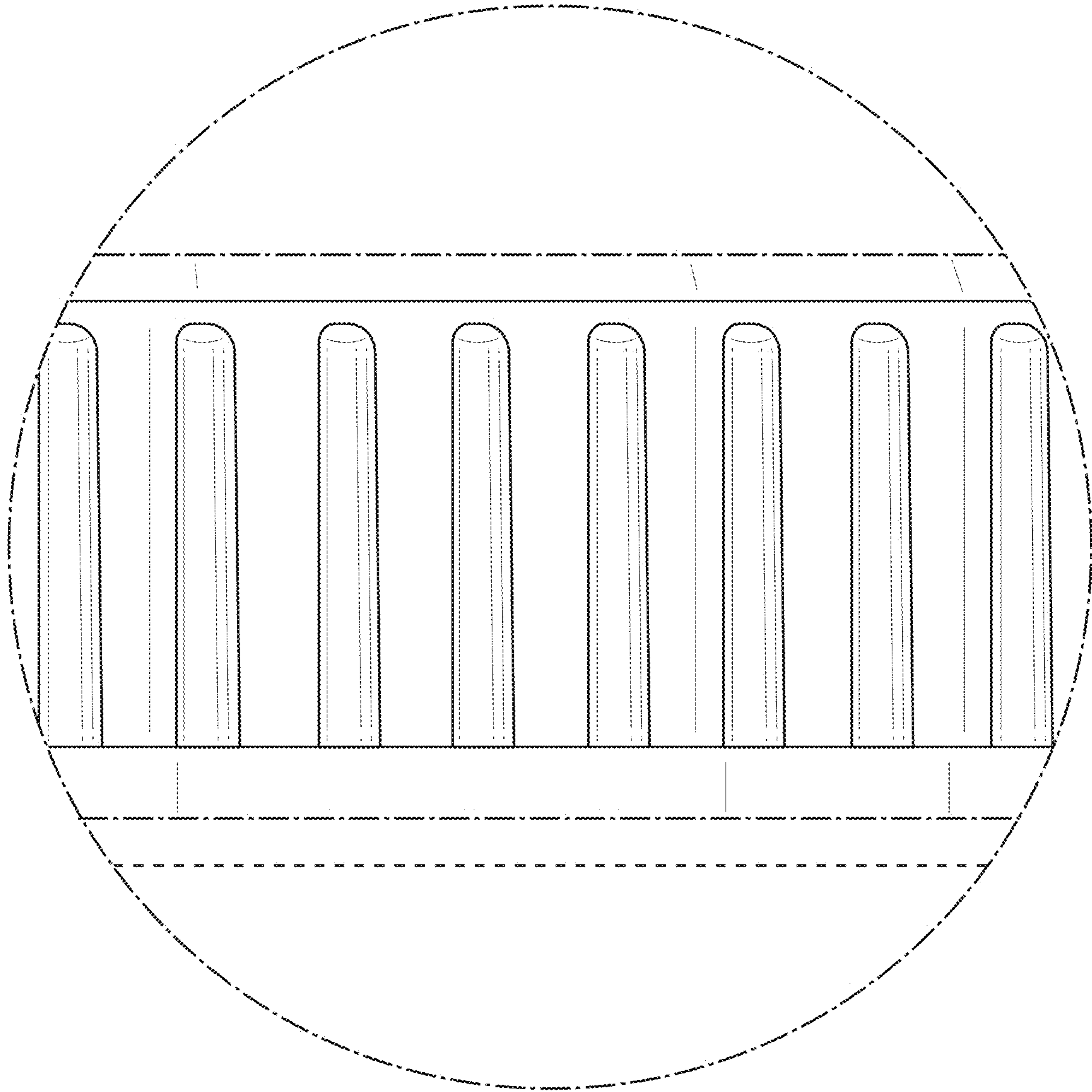


**FIG. 6**



***FIG. 7***





**FIG. 8**