



US00D932061S

(12) **United States Design Patent** (10) **Patent No.:** **US D932,061 S**
Freely (45) **Date of Patent:** **** Sep. 28, 2021**

(54) **DRYWALL TAPE**
(71) Applicant: **DreWay Construction Service LLC**,
Philadelphia, PA (US)
(72) Inventor: **Andre Freely**, Philadelphia, PA (US)
(73) Assignee: **DREWAY CONSTRUCTION**
SERVICE LLC, Philadelphia, PA (US)
(**) Term: **15 Years**
(21) Appl. No.: **29/718,011**
(22) Filed: **Dec. 20, 2019**
(51) **LOC (13) Cl.** **25-99**
(52) **U.S. Cl.**
USPC **D25/199**
(58) **Field of Classification Search**
USPC D19/69; D24/189; D5/7; D25/138, 199
CPC B65H 2701/37; B65H 2701/377; B64H
2701/379; E04F 13/042; E04F 19/022;
C09J 2301/18
See application file for complete search history.

(56) **References Cited**

U.S. PATENT DOCUMENTS

2,303,144 A * 11/1942 Stephenson B65H 75/32
242/160.1
2,508,855 A * 5/1950 Brown B65D 63/1009
428/43
4,313,991 A * 2/1982 Lamb E04F 13/04
428/131
D297,596 S * 9/1988 Marquart, Sr. 428/43
5,153,043 A * 10/1992 Wang B65D 85/672
206/813
5,246,775 A * 9/1993 Loscuito E04F 13/042
428/343
5,486,394 A * 1/1996 Stough B32B 27/10
428/61
5,616,387 A * 4/1997 Augst A61F 15/002
428/43

5,687,528 A * 11/1997 Rouch E04G 23/0203
52/514
5,711,124 A * 1/1998 Stough E04F 13/042
52/417
5,894,282 A * 4/1999 Betts H03M 1/48
341/157
6,226,946 B1 * 5/2001 Stough E04B 2/00
52/417
D572,156 S * 7/2008 Payne D10/71
D607,212 S * 1/2010 Lian D5/7
D637,299 S * 5/2011 Cowles D24/189
8,181,896 B1 * 5/2012 Scribner B65H 18/28
242/160.4
9,476,206 B2 * 10/2016 Miller E04F 13/042
2003/0096076 A1 * 5/2003 Allison C09J 7/20
428/43
2013/0189500 A1 * 7/2013 Adams E04F 13/042
428/195.1

(Continued)

Primary Examiner — Philip S Hyder

(74) Attorney, Agent, or Firm — Buchanan Ingersoll & Rooney PC

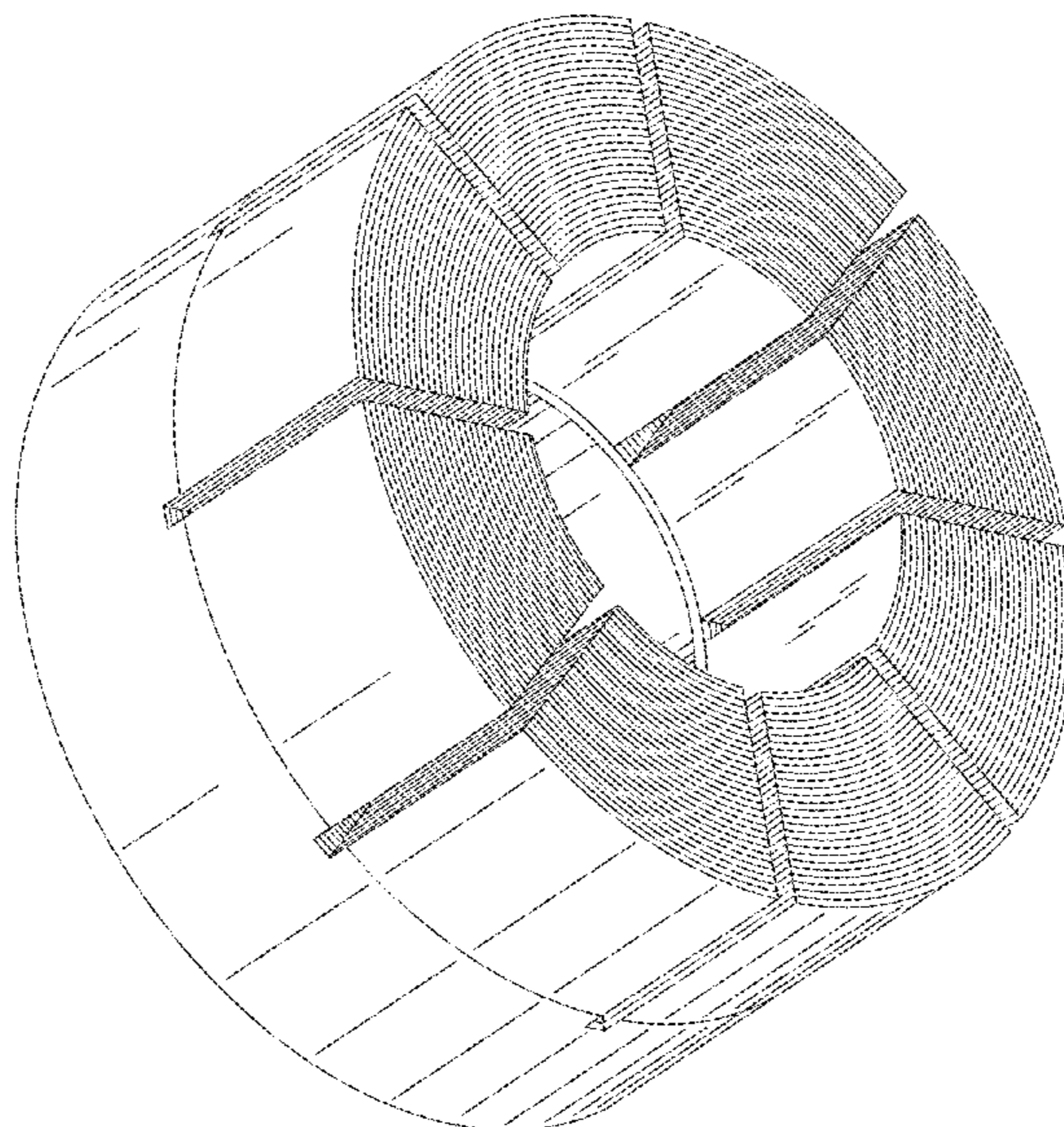
(57) **CLAIM**

The ornamental design for a drywall tape, as shown and described.

DESCRIPTION

FIG. 1 is a front perspective view of a drywall tape showing my new design;
FIG. 2 is the drywall tape of FIG. 1 showing that the drywall tape can have individual layers;
FIG. 3 is a back perspective view thereof;
FIG. 4 is a top view thereof;
FIG. 5 is a top view of an alternate embodiment showing my new design;
FIG. 6 is a bottom view of FIG. 5;
FIG. 7 is a ride side view of FIG. 5; and,
FIG. 8 is a left side view of FIG. 5.

1 Claim, 6 Drawing Sheets



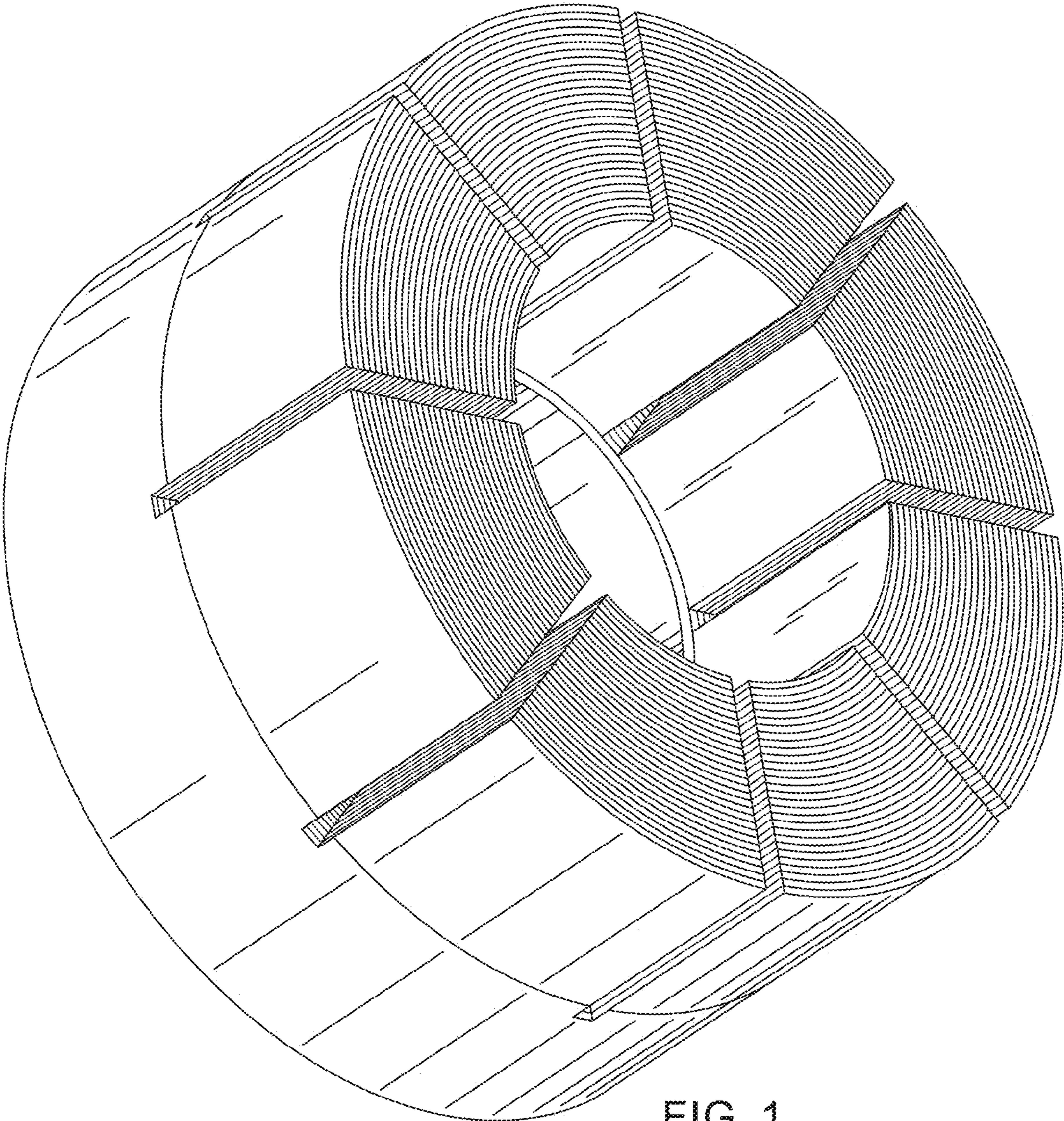
(56)

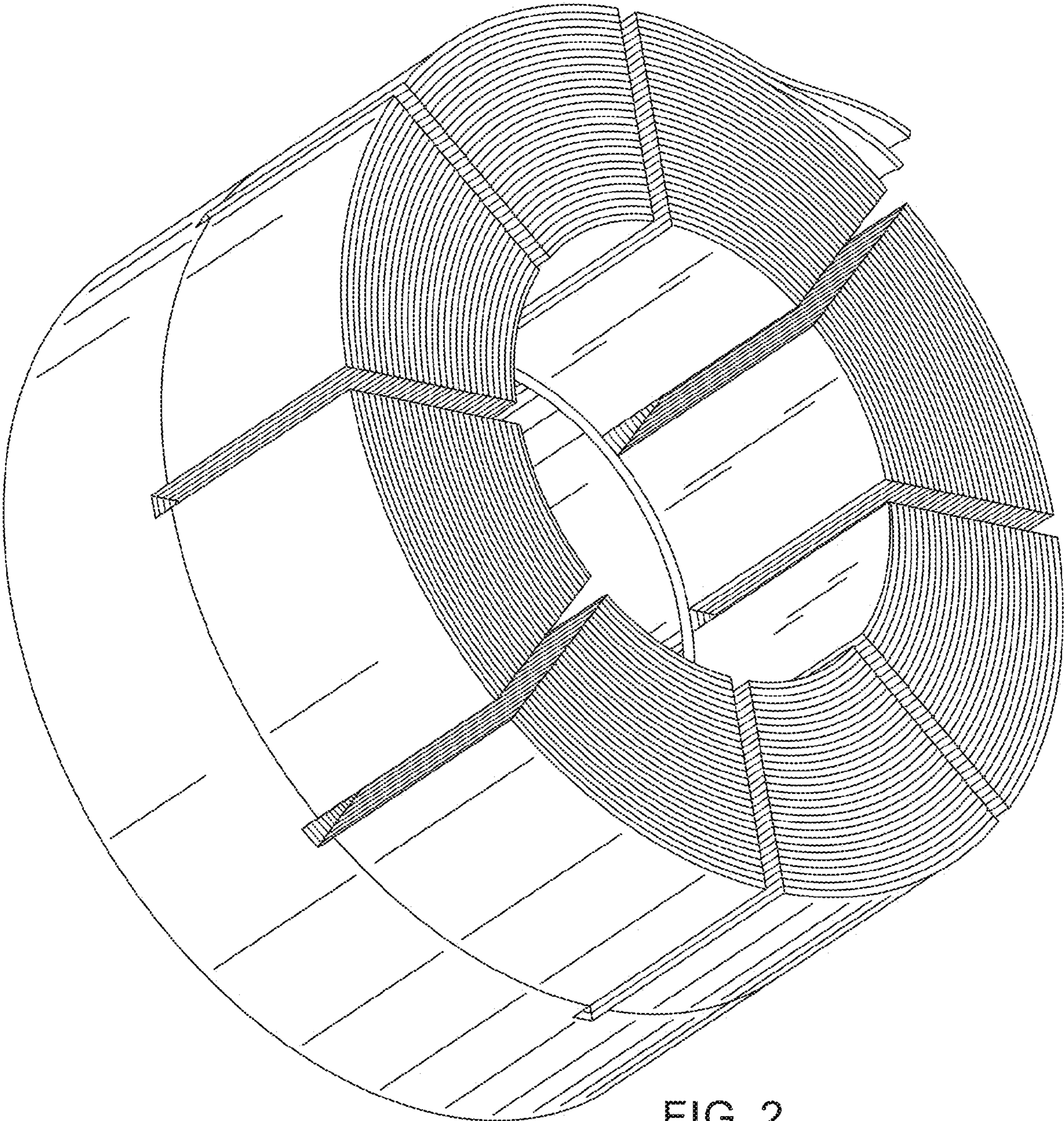
References Cited

U.S. PATENT DOCUMENTS

2015/0096252 A1* 4/2015 Miller E04F 19/022
52/417
2016/0160088 A1* 6/2016 Yen C09J 7/20
428/43
2017/0138058 A1* 5/2017 Swartz E04F 13/042

* cited by examiner





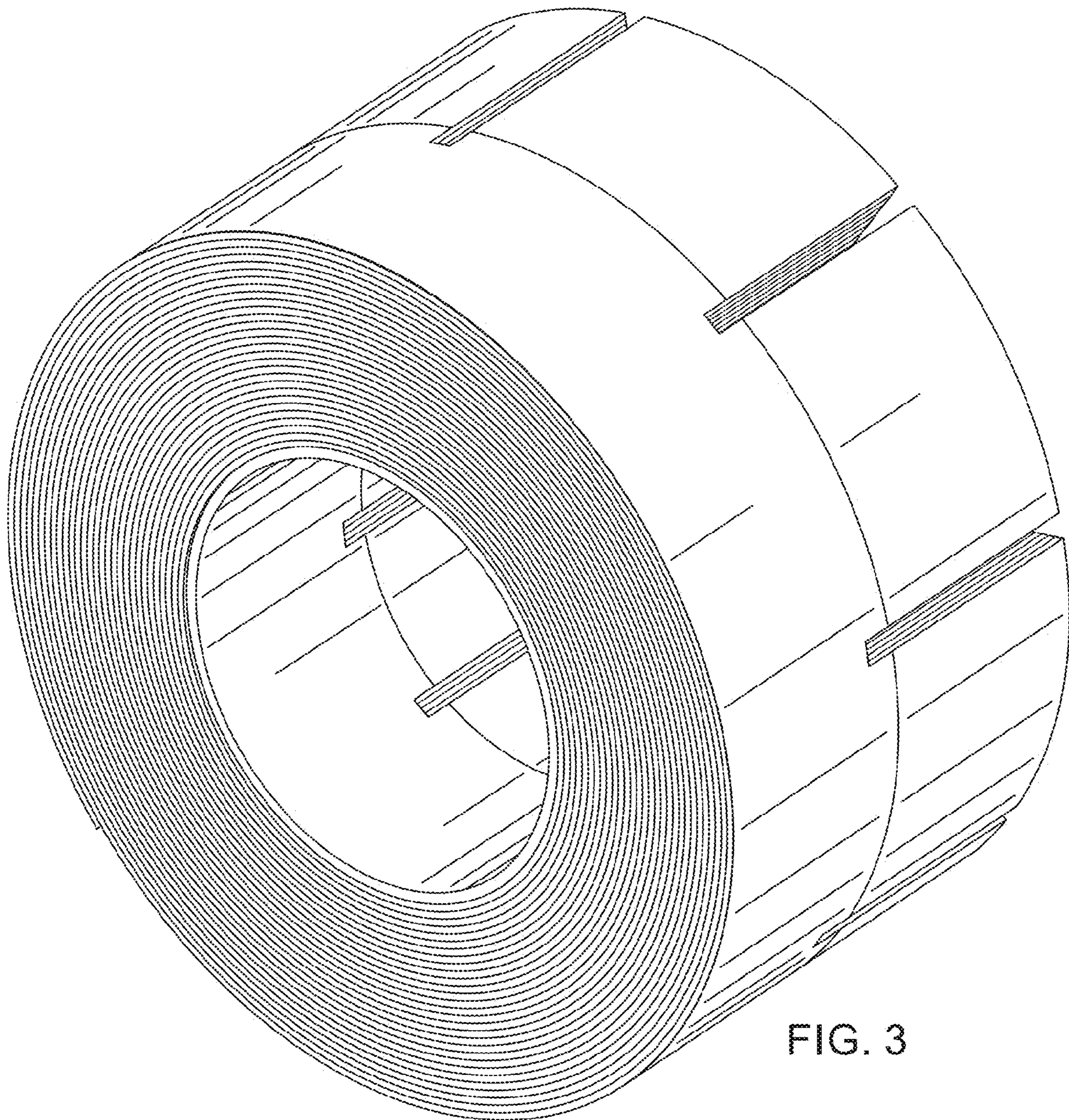


FIG. 3

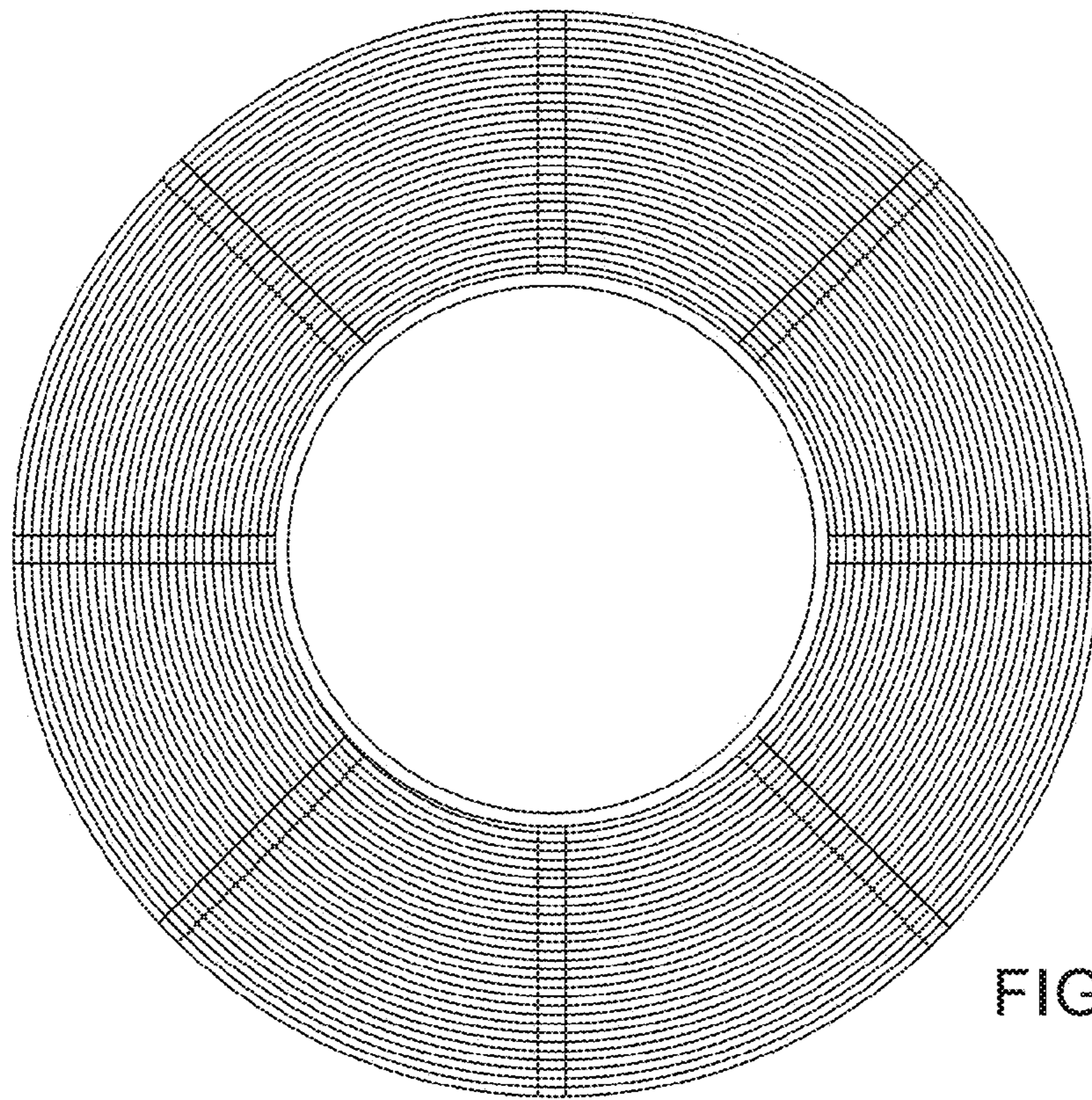


FIG. 4

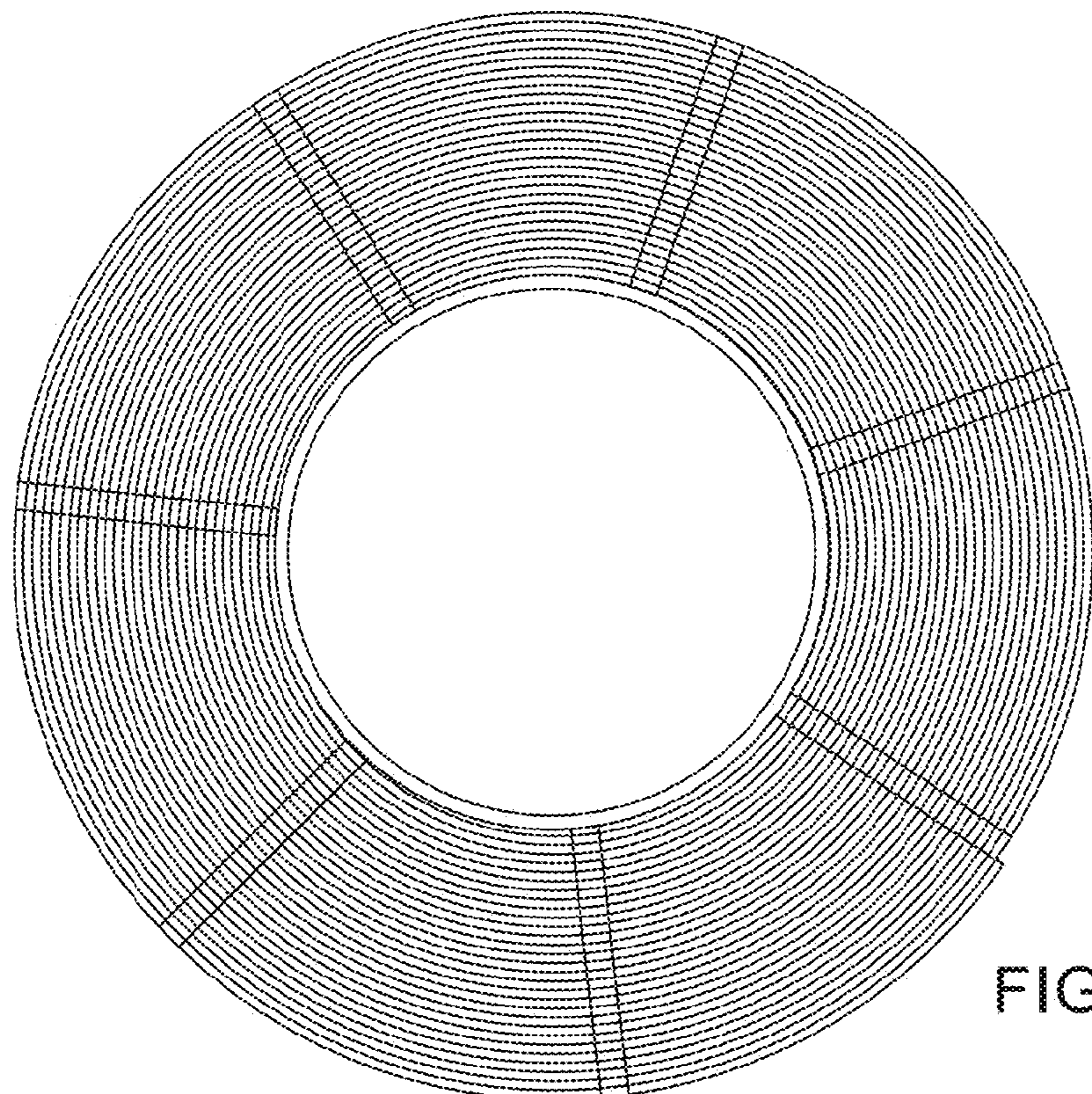


FIG. 5

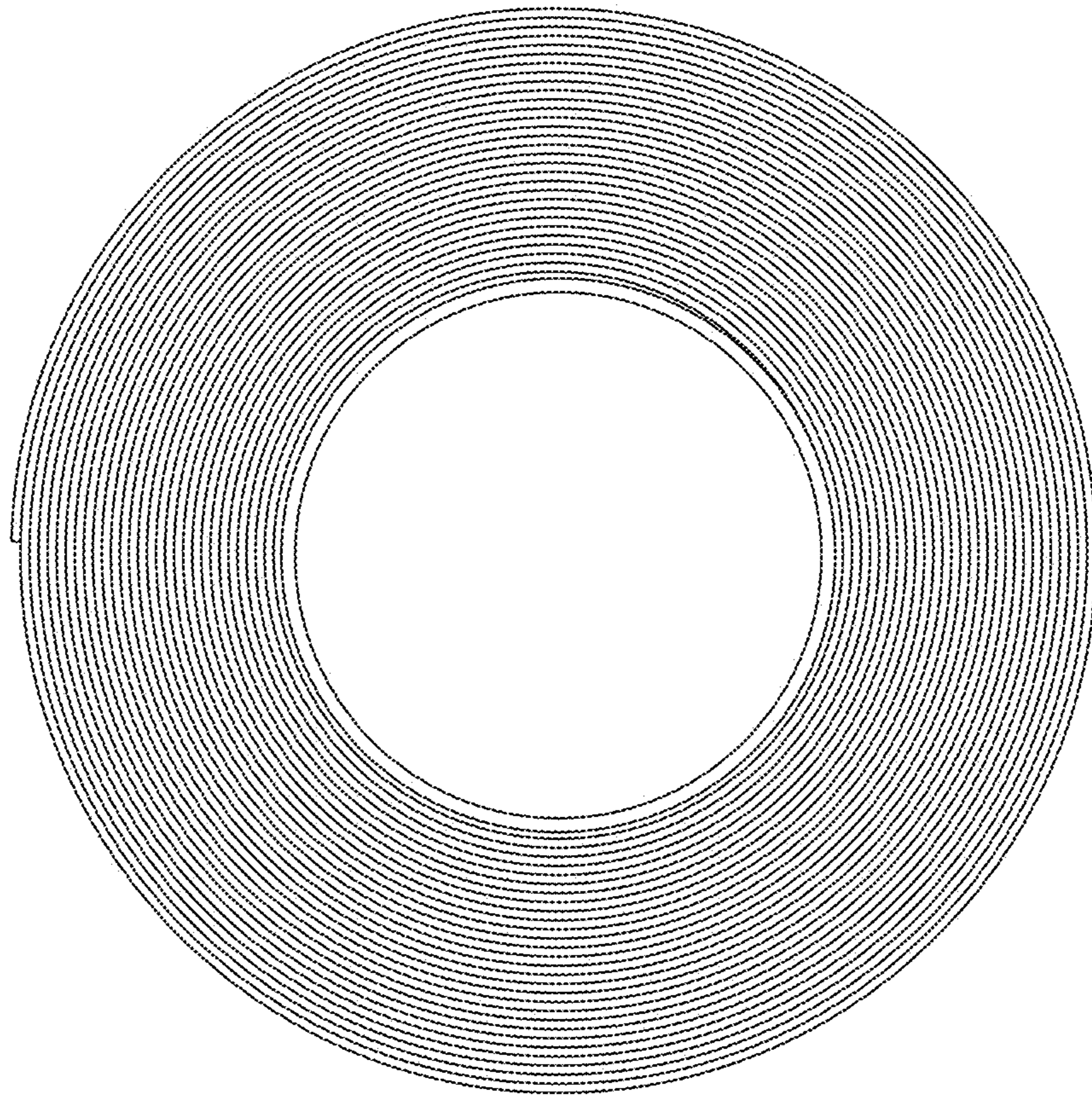


FIG. 6

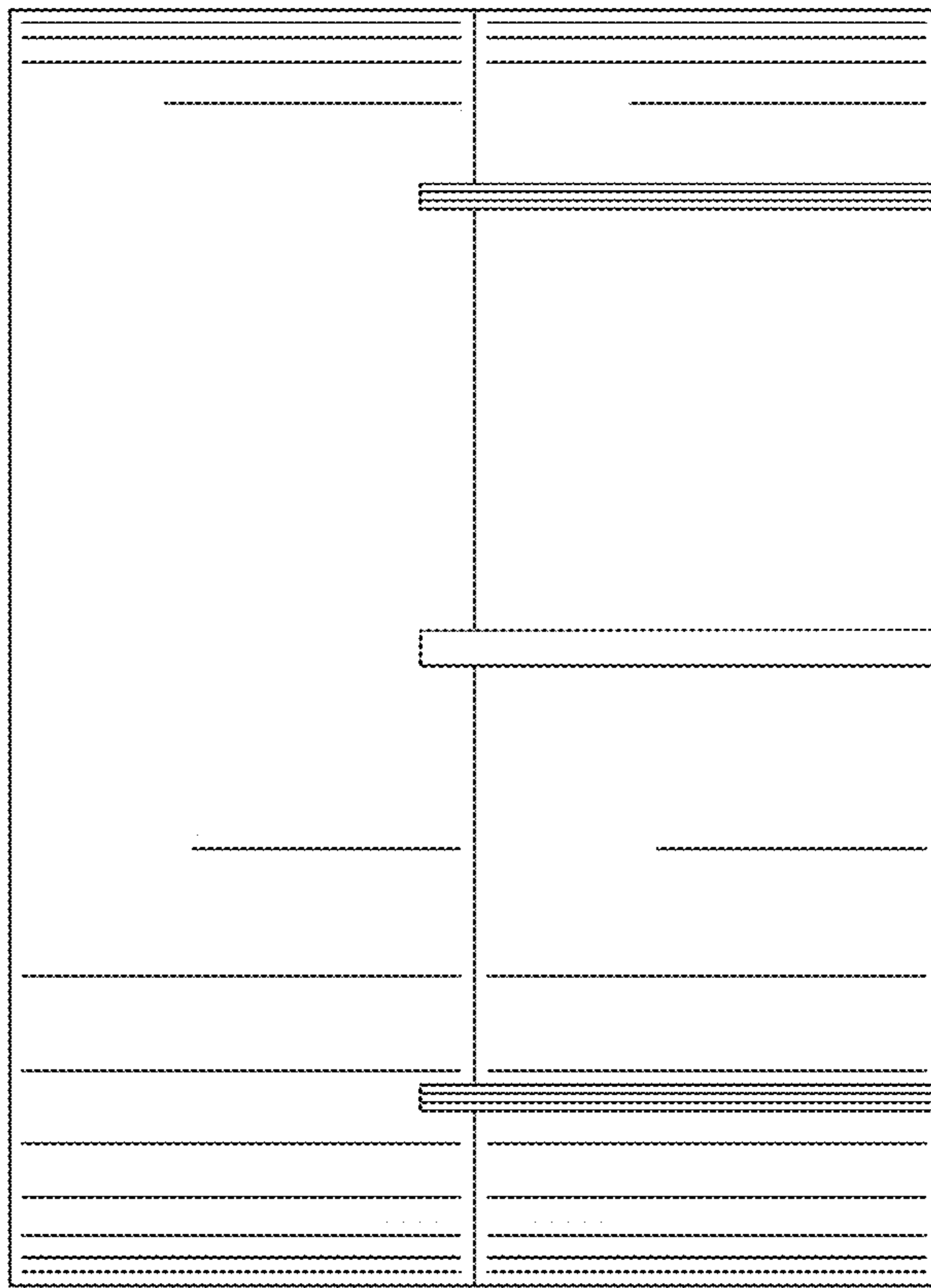


FIG. 7

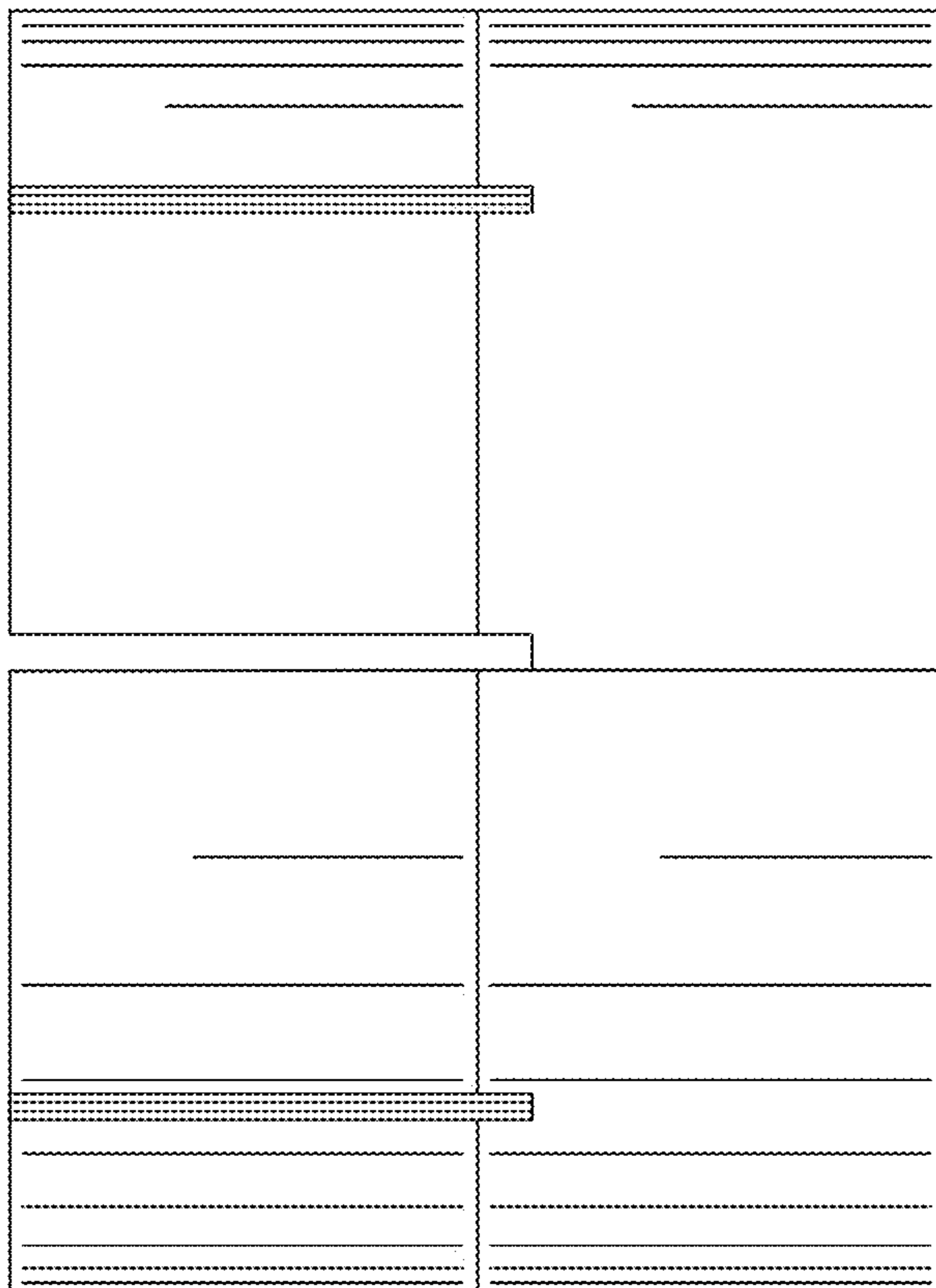


FIG. 8