



US00D932060S

(12) **United States Design Patent** (10) **Patent No.:** **US D932,060 S**
Santini (45) **Date of Patent:** **** *Sep. 28, 2021**

(54) **TUBULAR BEAM**

1/03; A47H 1/14; F16M 11/041; E04B
1/34326; E04C 3/00; E04C 3/02; E04C
3/30; F16B 7/18

(71) Applicant: **Patrick J. Santini**, West Bend, WI
(US)

See application file for complete search history.

(72) Inventor: **Patrick J. Santini**, West Bend, WI
(US)

(56) **References Cited**

U.S. PATENT DOCUMENTS

(*) Notice: This patent is subject to a terminal dis-
claimer.

1,818,418 A *	8/1931	Millard	E04B 1/24 52/263
2,224,499 A *	12/1940	Zillig	E04B 1/2604 403/173
3,252,287 A *	5/1966	Suzuki	E02D 29/02 405/29
4,630,550 A *	12/1986	Weitzman	A47B 13/06 108/155

(**) Term: **15 Years**

(21) Appl. No.: **29/723,222**

(22) Filed: **Feb. 5, 2020**

(Continued)

Related U.S. Application Data

Primary Examiner — Samantha Q Lawrence

(63) Continuation-in-part of application No. 29/720,179,
filed on Jan. 10, 2020, which is a continuation-in-part
of application No. 29/603,606, filed on May 11, 2017,
now Pat. No. Des. 882,826, which is a
continuation-in-part of application No. 14/661,025,
filed on Mar. 18, 2015, now abandoned.

(74) *Attorney, Agent, or Firm* — Donald J. Ersler

(51) **LOC (13) Cl.** **25-01**

(57) **CLAIM**

(52) **U.S. Cl.**

The ornamental design for a tubular beam, as shown and
described.

USPC **D25/126**

(58) **Field of Classification Search**

DESCRIPTION

USPC D25/125, 126, 127, 128, 129, 130, 131,
D25/132, 133, 134, 135, 38.1, 39, 42, 43,
D25/47.1, 48.4, 48.8, 61, 119, 122, 139,
D25/143, 157; D12/182–183, 223;
160/133, 87, 187, 229.1, 235, 236;
52/155, 165, 170, 295, 689, 702; D8/10,
D8/16, 19, 349, 350, 353, 354, 364, 366,
D8/373, 380, 381, 499; D28/31–34, 25,
D28/39–43

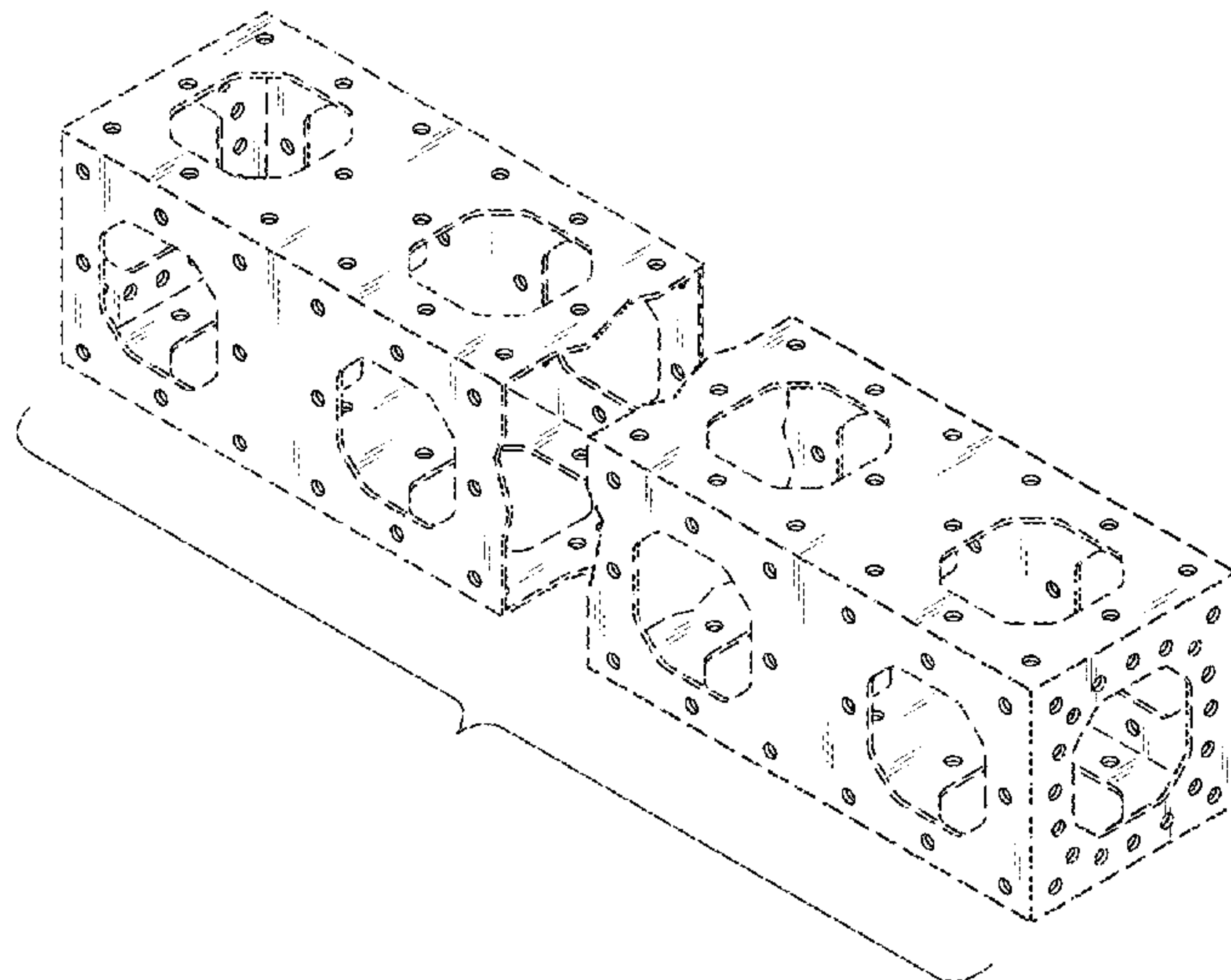
FIG. 1 is a top perspective view of a tubular beam incor-
porating my new design;
FIG. 2 is a right side view thereof;
FIG. 3 is a left side view thereof;
FIG. 4 is a front elevation view thereof;
FIG. 5 is a rear elevation view thereof;
FIG. 6 is top plan view thereof;
FIG. 7 is a bottom plan view thereof; and,
FIG. 8 is a bottom perspective view thereof.

CPC E06B 9/15; E06B 2009/005; E06B
2009/1544; E06B 3/481; E06B 9/174;
E06B 9/50; E06B 2009/2447; E01F
9/627; E02D 27/42; E02D 5/60; E04F
19/00; E04H 12/2292; E05D 1/04; A47H

The broken lines shown in the drawings are for environ-
mental purposes only and form no part of the claimed
design.

The tubular beam is shown with a symbolic break in its
length. The appearance of any portion of the article between
the break lines forms no part of the claimed design.

1 Claim, 5 Drawing Sheets



(56)

References Cited

U.S. PATENT DOCUMENTS

7,264,416	B2 *	9/2007	Kahl	F16B 7/18 403/187
7,464,513	B2 *	12/2008	Rioux	E04H 12/08 52/651.01
D611,673	S *	3/2010	Andrews	D34/35
7,762,042	B2 *	7/2010	Packard, III	H02G 3/0608 52/848
8,418,425	B1 *	4/2013	Santini	E04H 3/28 52/655.1
8,769,908	B1 *	7/2014	Santini	E04C 2/38 52/656.9
9,376,815	B1 *	6/2016	Santini	E04C 2/06
9,803,365	B2 *	10/2017	Peltier	E04C 3/083
D831,232	S *	10/2018	Dionne	D25/126
10,180,007	B1 *	1/2019	Santini	E04G 1/12
D854,710	S *	7/2019	Hendry	D25/126
D882,826	S *	4/2020	Santini	D25/126
2006/0063398	A1 *	3/2006	Witte	F16B 7/18 439/66
2007/0261356	A1 *	11/2007	Vaughn	F16B 9/02 52/655.1
2013/0108394	A1 *	5/2013	Zhu	F16B 39/22 411/366.1

* cited by examiner

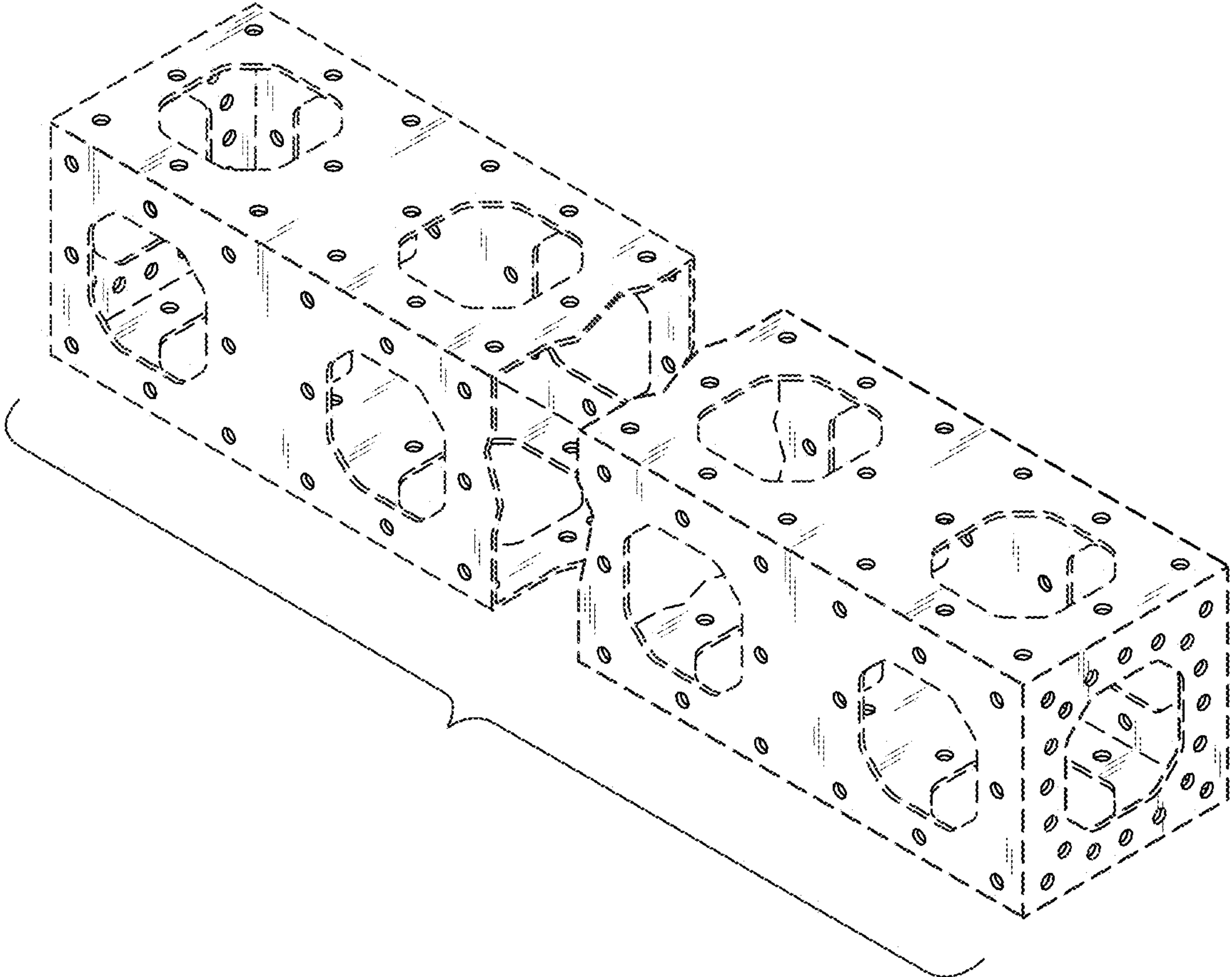


FIG. 1

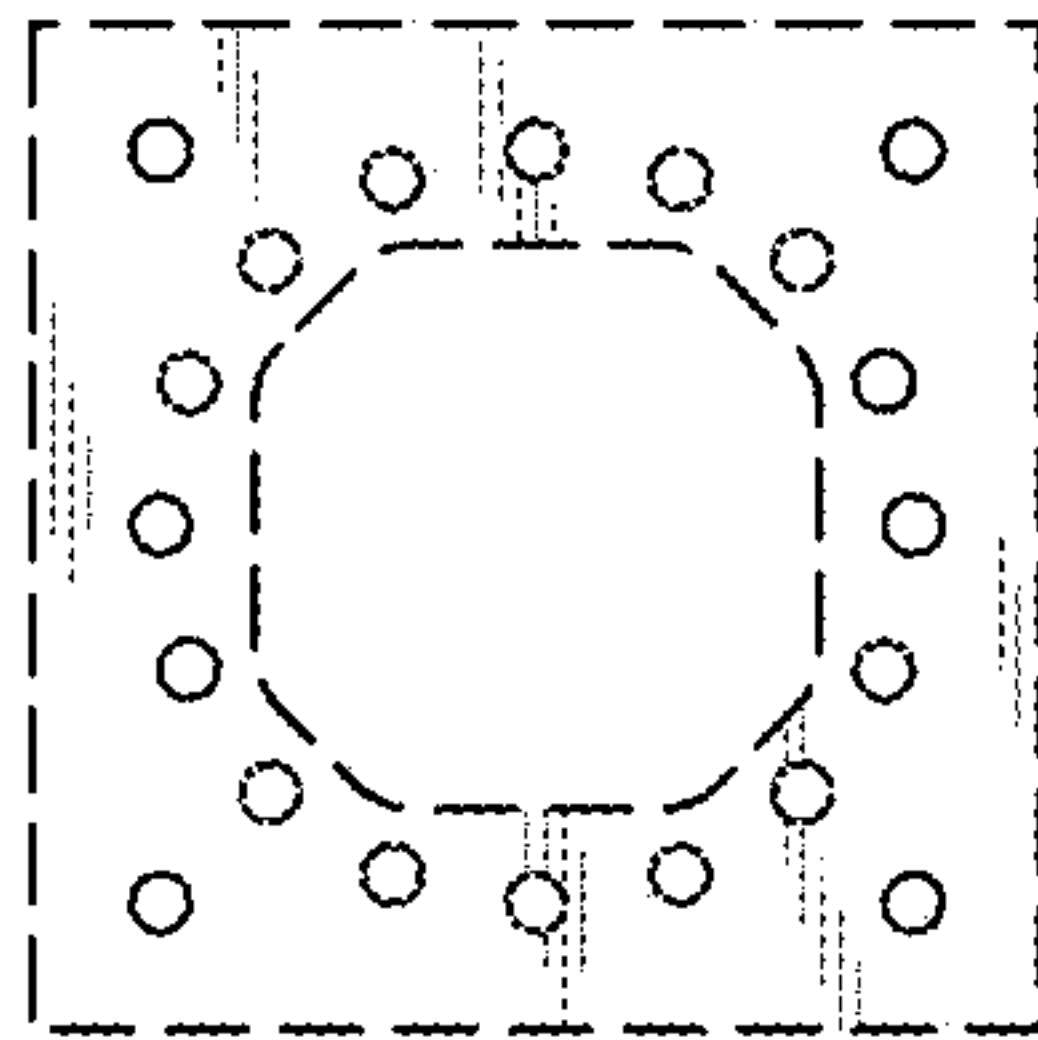


FIG. 2

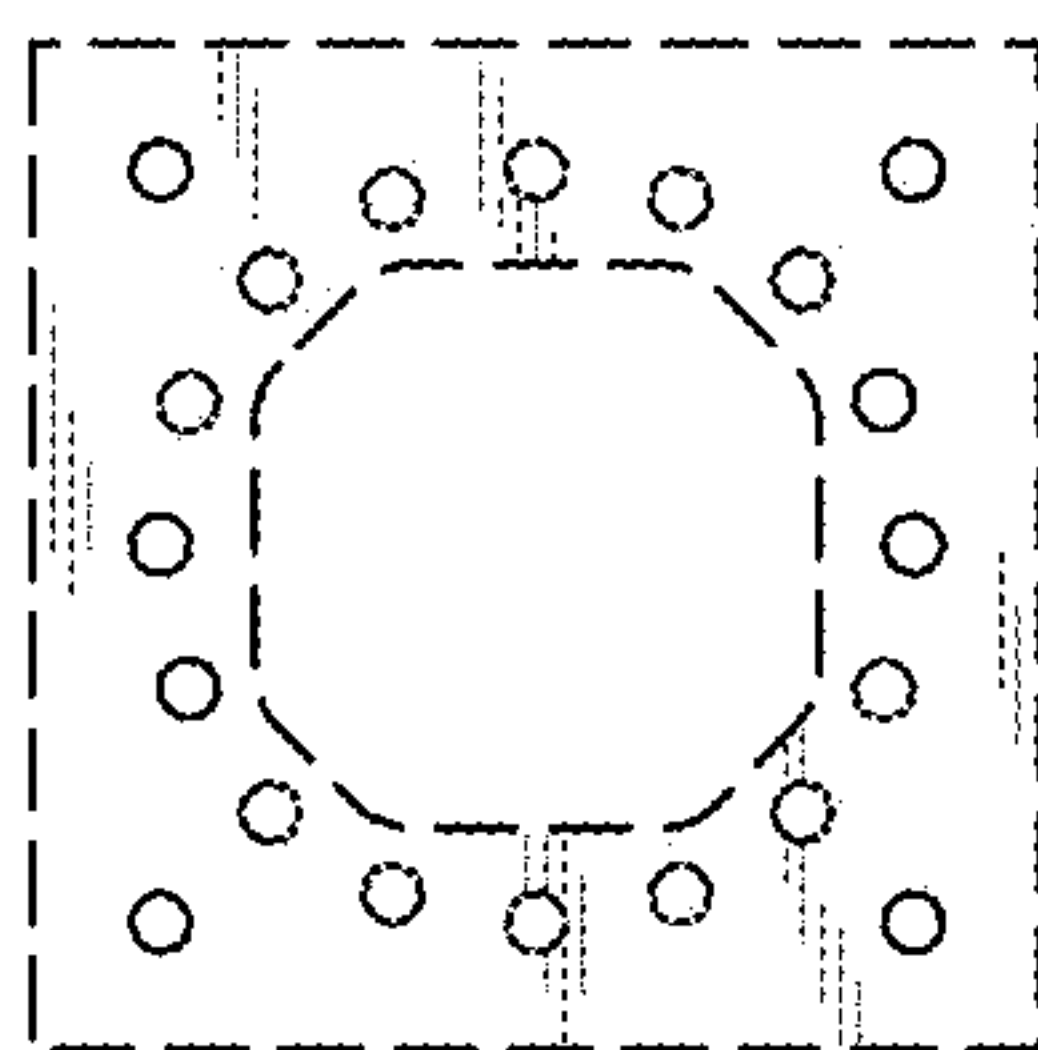


FIG. 3

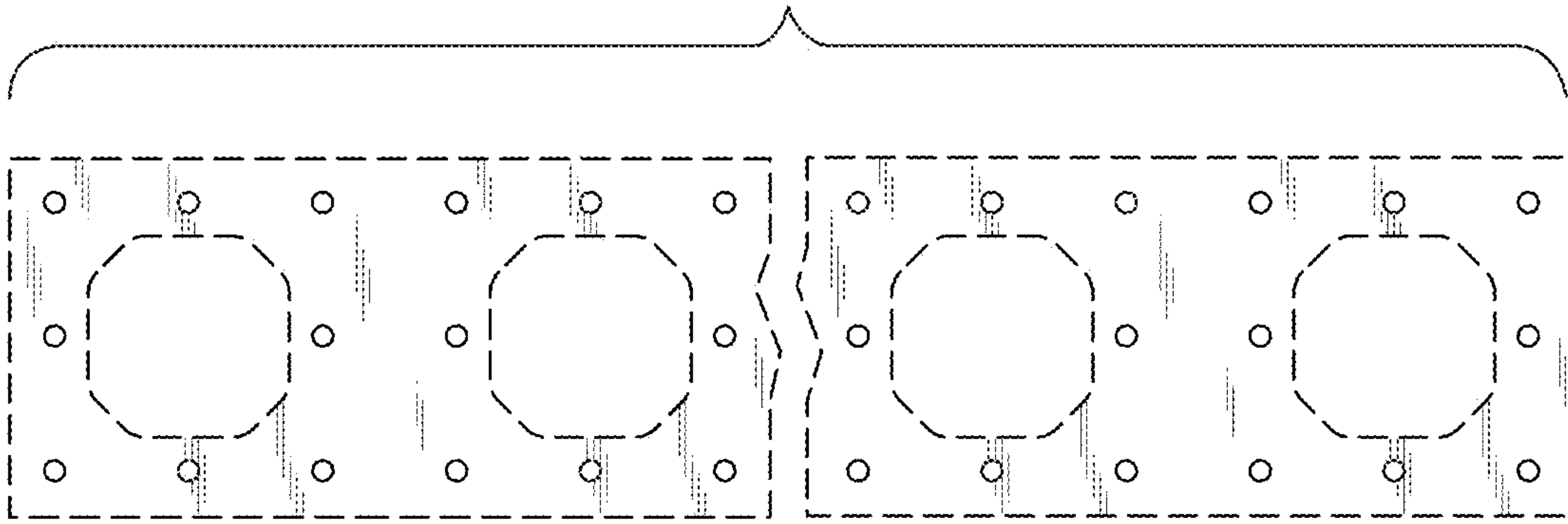


FIG. 4

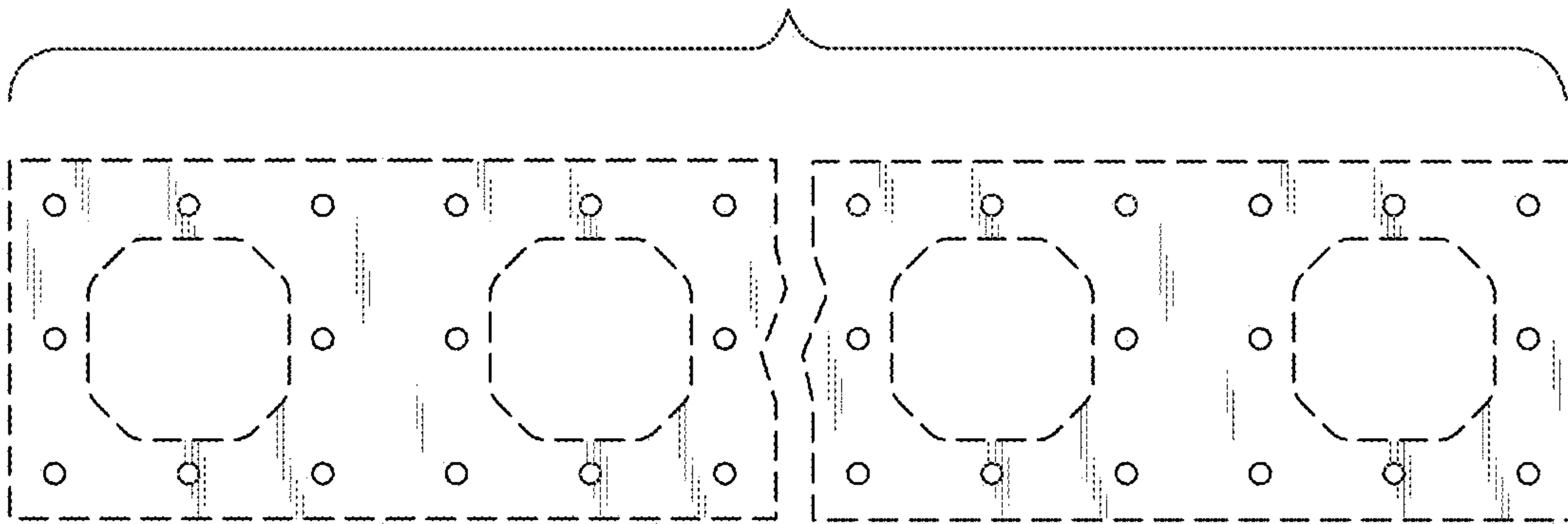


FIG. 5

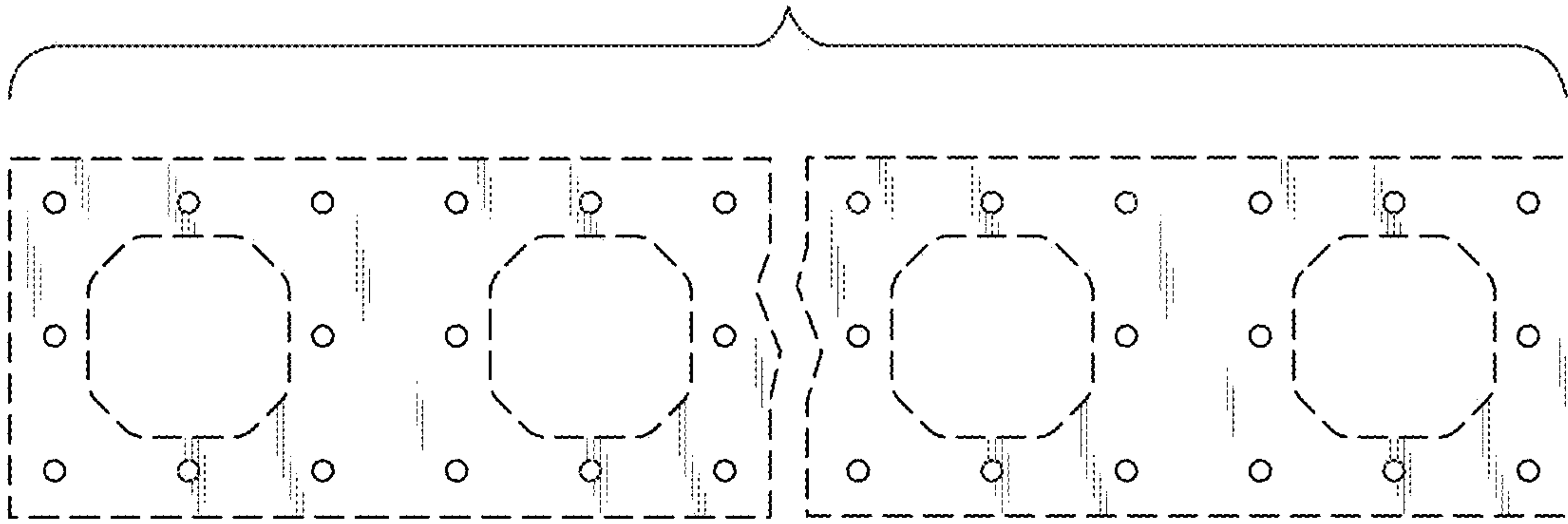


FIG. 6

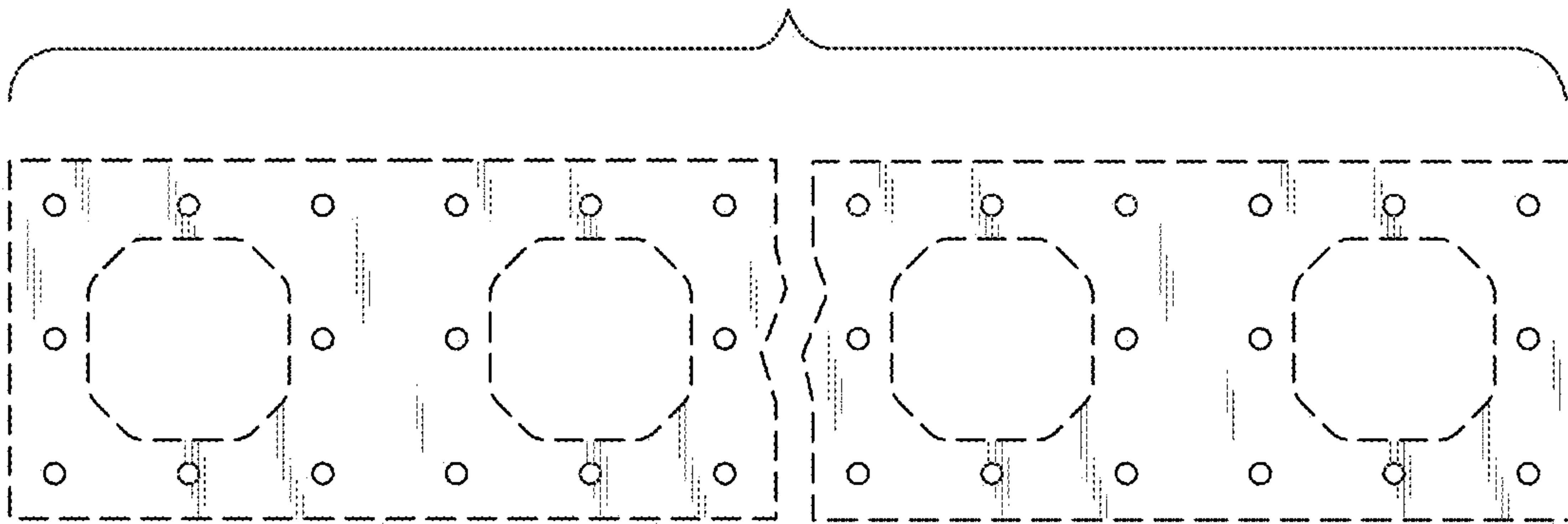


FIG. 7

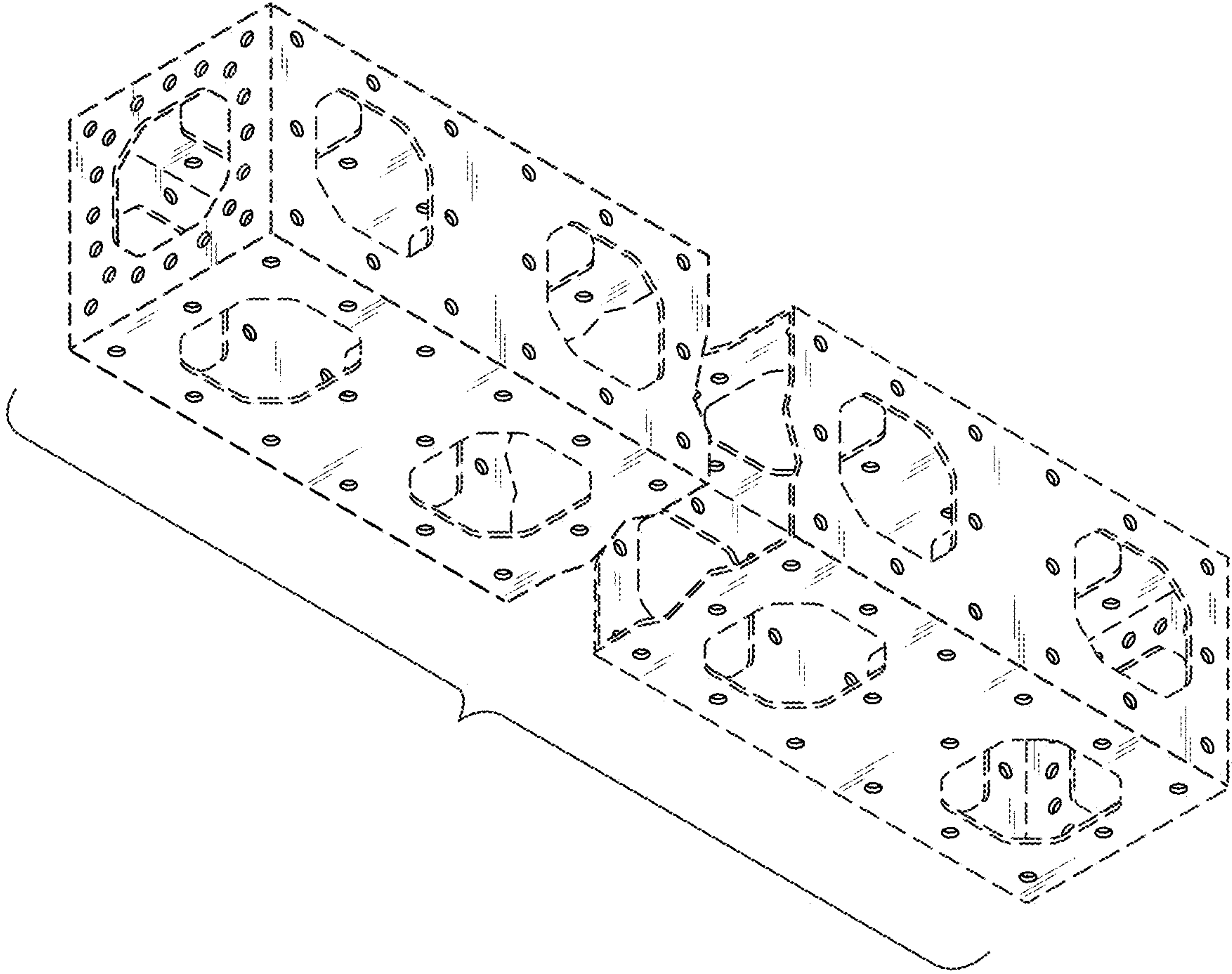


FIG. 8