



US00D932059S

(12) **United States Design Patent**  
**Becker et al.**

(10) **Patent No.:** **US D932,059 S**  
(45) **Date of Patent:** **\*\* Sep. 28, 2021**

- (54) **SUPPORT BEAM**
- (71) Applicant: **Brand Shared Services LLC**,  
Kennesaw, GA (US)
- (72) Inventors: **Allan James Becker**, Richmond Hill  
(CA); **Jack Poon**, Aurora (CA)
- (73) Assignee: **Brand Shared Services LLC**,  
Kennesaw, GA (US)

7,874,125 B2 \* 1/2011 Polk, Jr. .... B29C 45/1615  
52/836  
D680,234 S \* 4/2013 Kalnins ..... D25/126  
D739,960 S \* 9/2015 Britton ..... D25/126  
D767,382 S \* 9/2016 Libreiro ..... D8/382  
D780,945 S \* 3/2017 Guillemi ..... D25/119  
D800,347 S \* 10/2017 Blick ..... D25/119  
D900,343 S \* 10/2020 Becker ..... D25/126  
D918,426 S \* 5/2021 Thompson ..... D25/68  
2021/0079670 A1 \* 3/2021 Becker ..... E04G 11/38

\* cited by examiner

- (\*\*) Term: **15 Years**
- (21) Appl. No.: **29/698,704**

*Primary Examiner* — Samantha Q Lawrence  
(74) *Attorney, Agent, or Firm* — Banner & Witcoff, Ltd.

- (22) Filed: **Jul. 18, 2019**

(57) **CLAIM**

The ornamental design for a support beam, as shown and described.

(30) **Foreign Application Priority Data**

**DESCRIPTION**

Jan. 18, 2019 (CA) ..... CA 185787

- (51) **LOC (13) Cl.** ..... **25-01**

- (52) **U.S. Cl.**  
USPC ..... **D25/126**

- (58) **Field of Classification Search**  
USPC ..... D25/1-25, 62, 66, 68, 119, 120, 121,  
D25/122, 125-136; 182/222-226  
CPC ..... E04B 1/08; E04B 2001/2472; E04B  
2001/2496; E04G 11/38; E04G 11/486;  
E04G 11/50; E04G 17/005  
See application file for complete search history.

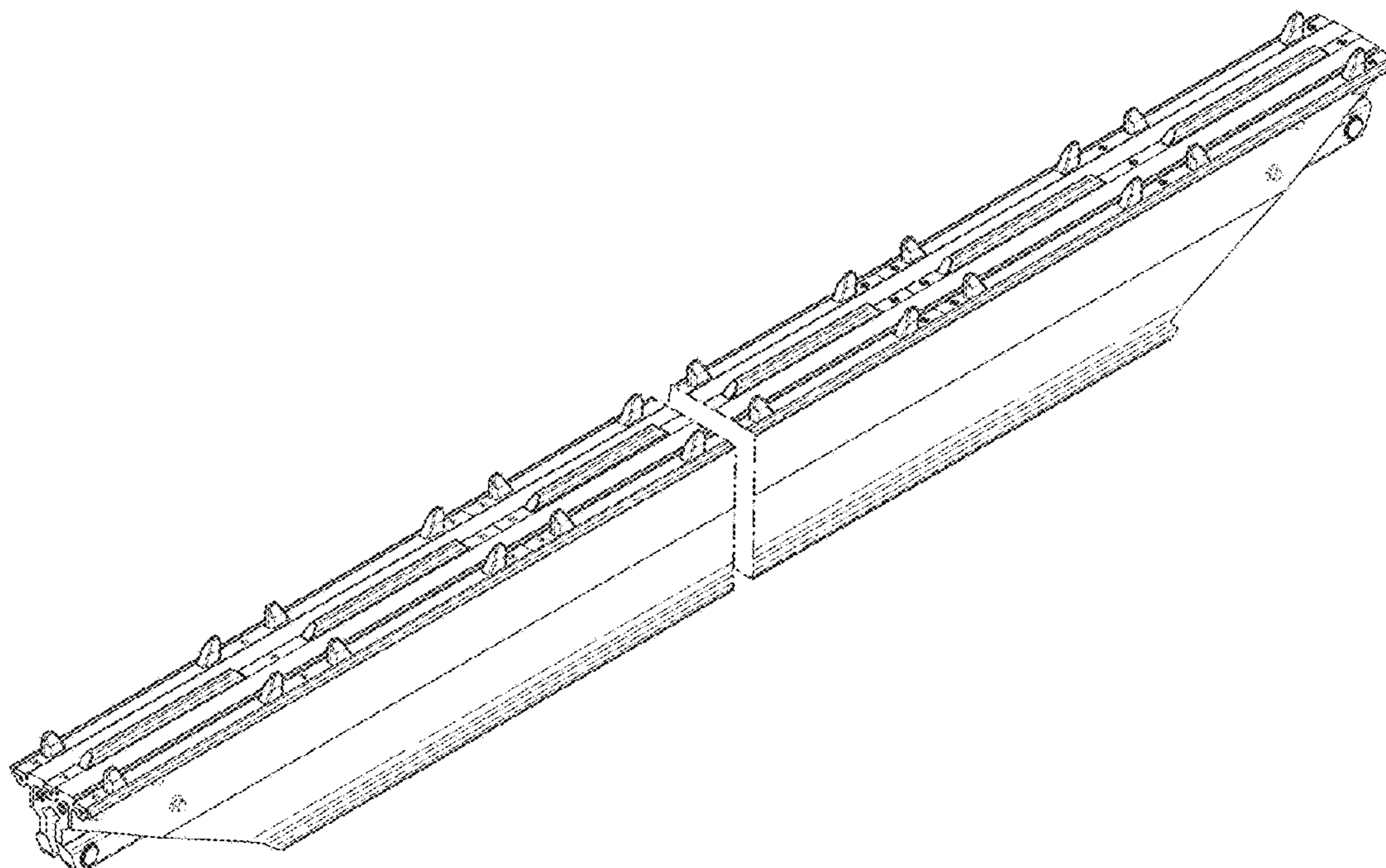
FIG. 1 is a top perspective view of a support beam showing our new design;  
FIG. 2 is a left side view thereof;  
FIG. 3 is a right side view thereof;  
FIG. 4 is a top view thereof;  
FIG. 5 is a front view thereof; and,  
FIG. 6 is a rear view thereof.  
The support beam is shown with a symbolic break in its length. The appearance of any portion of the article between the break lines forms no part of the claimed design. The uneven-length broken lines immediately adjacent to the shaded areas define the bounds of the claimed design and form no part thereof. The remaining dotted lines depict portions of the support beam that form no part of the claimed design.

(56) **References Cited**

**U.S. PATENT DOCUMENTS**

- D273,619 S \* 4/1984 Young ..... D25/126
- D567,397 S \* 4/2008 Terada ..... D25/126
- D603,065 S \* 10/2009 Hamilton ..... D25/126

**1 Claim, 3 Drawing Sheets**



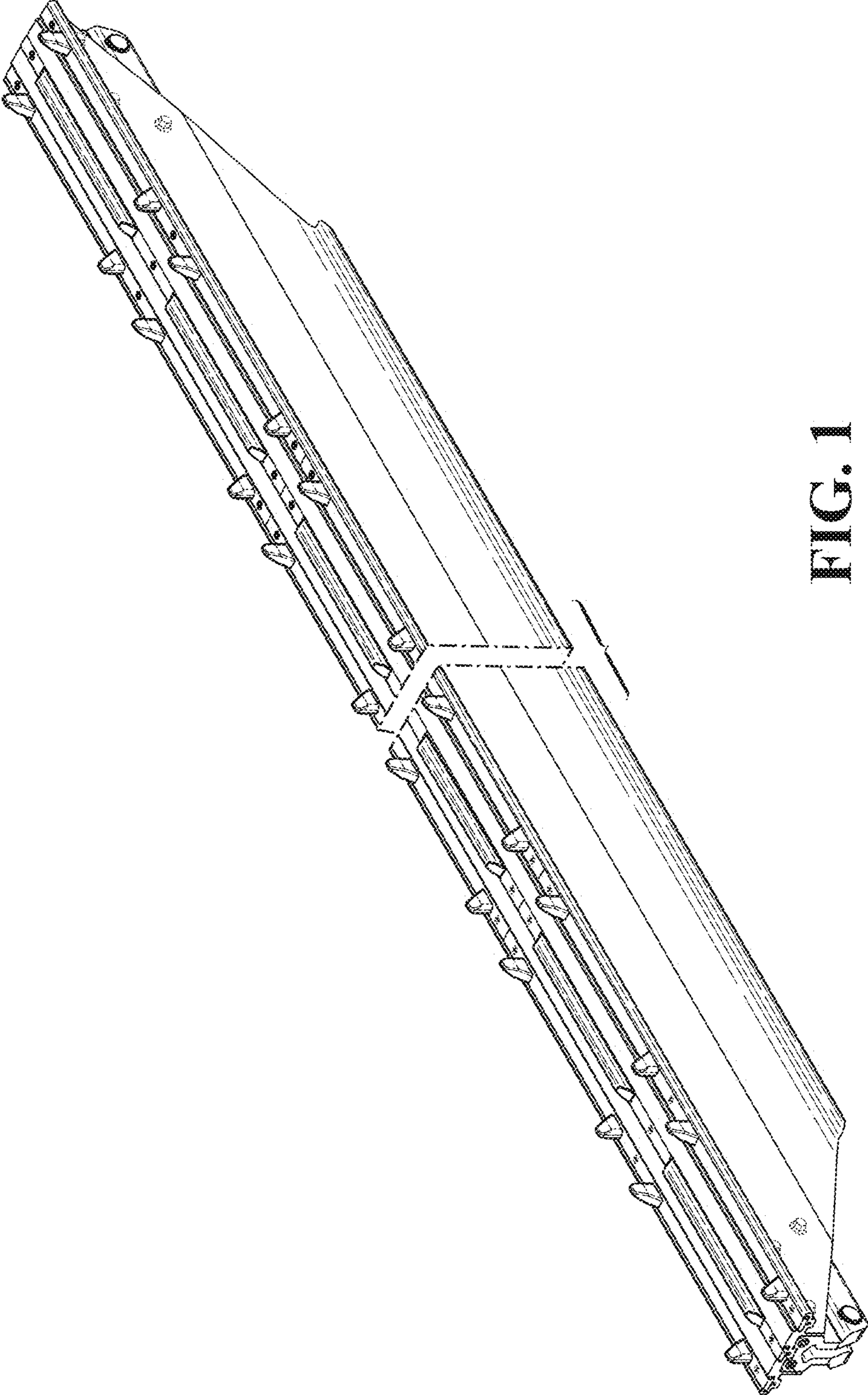


FIG. 1

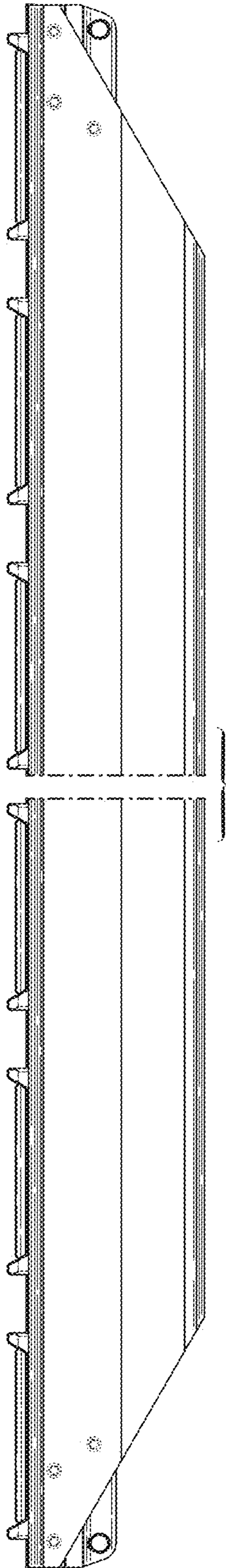


FIG. 2

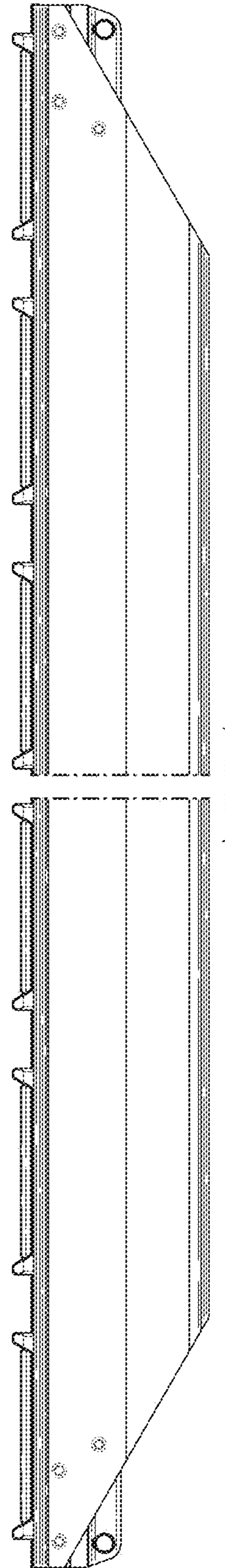


FIG. 3

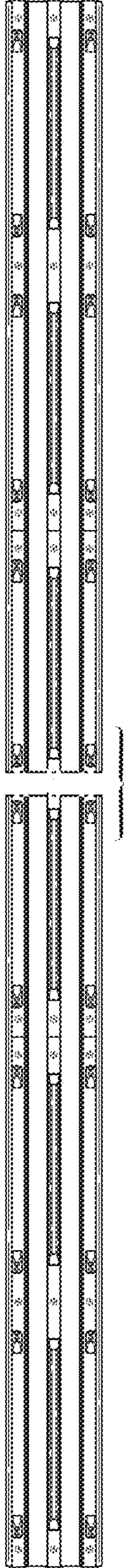


FIG. 4

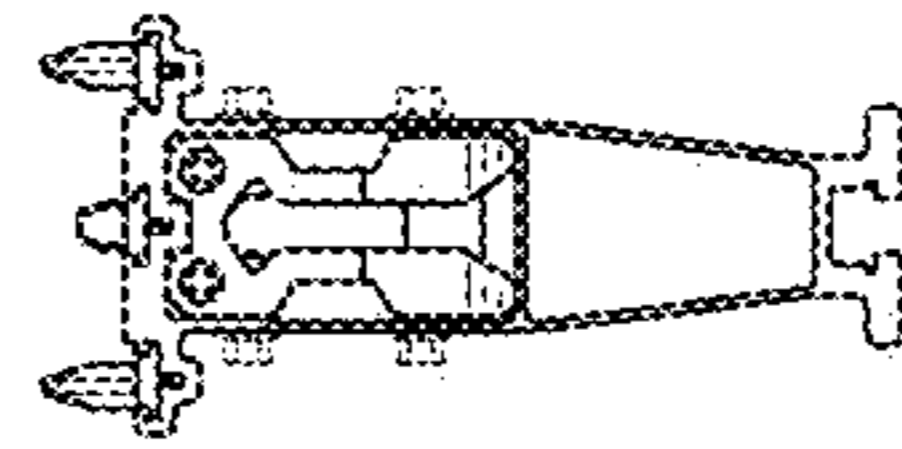


FIG. 5

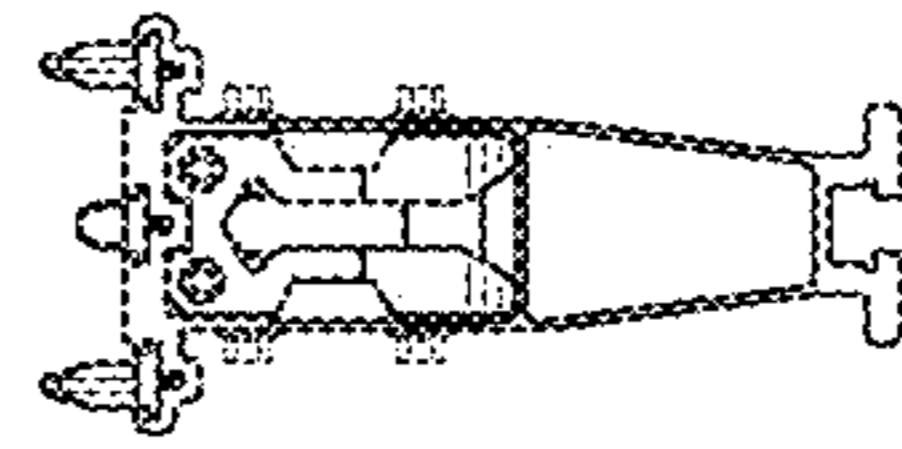


FIG. 6